



US00D845409S

(12) **United States Design Patent**
Bourgeois

(10) **Patent No.:** **US D845,409 S**

(45) **Date of Patent:** **** Apr. 9, 2019**

- (54) **PUNT TRAINER**
- (71) Applicant: **Rene Paul Bourgeois**, Prairieville, LA (US)
- (72) Inventor: **Rene Paul Bourgeois**, Prairieville, LA (US)
- (**) Term: **15 Years**
- (21) Appl. No.: **29/659,789**
- (22) Filed: **Aug. 13, 2018**
- (51) **LOC (11) Cl.** **21-02**
- (52) **U.S. Cl.**
USPC **D21/716; D21/788**
- (58) **Field of Classification Search**
USPC D21/698, 699, 715-719, 780, 781, 788, D21/797, 798, 799.1, 800, 721; 473/415-495
CPC ... A63B 69/00; A63B 69/002; A63B 69/0002; A63B 69/0073; A63B 69/0075; A63B 69/0079; A63B 69/0084; A63B 69/0091; A63B 2069/0008; A63B 71/023; A63B 71/028; A63B 2071/025; A63B 2071/026; A63B 2210/50; A63B 2225/09; A63B 2225/093; A63B 2243/0025; A63B 2243/0066; A63B 2243/007
See application file for complete search history.

- (56) **References Cited**
U.S. PATENT DOCUMENTS
932,142 A * 8/1909 Kimmel A63B 5/02 482/17
1,091,985 A * 3/1914 Thompson A63B 69/0091 473/149
1,608,361 A * 11/1926 Boettcher A63B 69/0075 473/420
1,847,570 A * 3/1932 McLaughlin A63B 69/0079 473/147

- 3,439,916 A 4/1969 Kopp
- 3,897,948 A 8/1975 Gerela
- 4,546,974 A * 10/1985 Brown A63B 69/0075 473/419
- 4,634,122 A * 1/1987 Kline A63B 69/0075 473/419
- D299,154 S * 12/1988 Kopp D21/716
- 4,906,001 A * 3/1990 Vaughn A63B 69/0075 124/36
- D333,500 S * 2/1993 Berger D21/716
- D338,250 S * 8/1993 Tvedt D21/716
- D339,393 S * 9/1993 Allen D21/780
- 5,374,056 A * 12/1994 Scher A63B 69/0084 473/418
- 5,505,445 A * 4/1996 Treadwell A63B 69/0075 473/419

(Continued)

Primary Examiner — Catherine A Tuttle

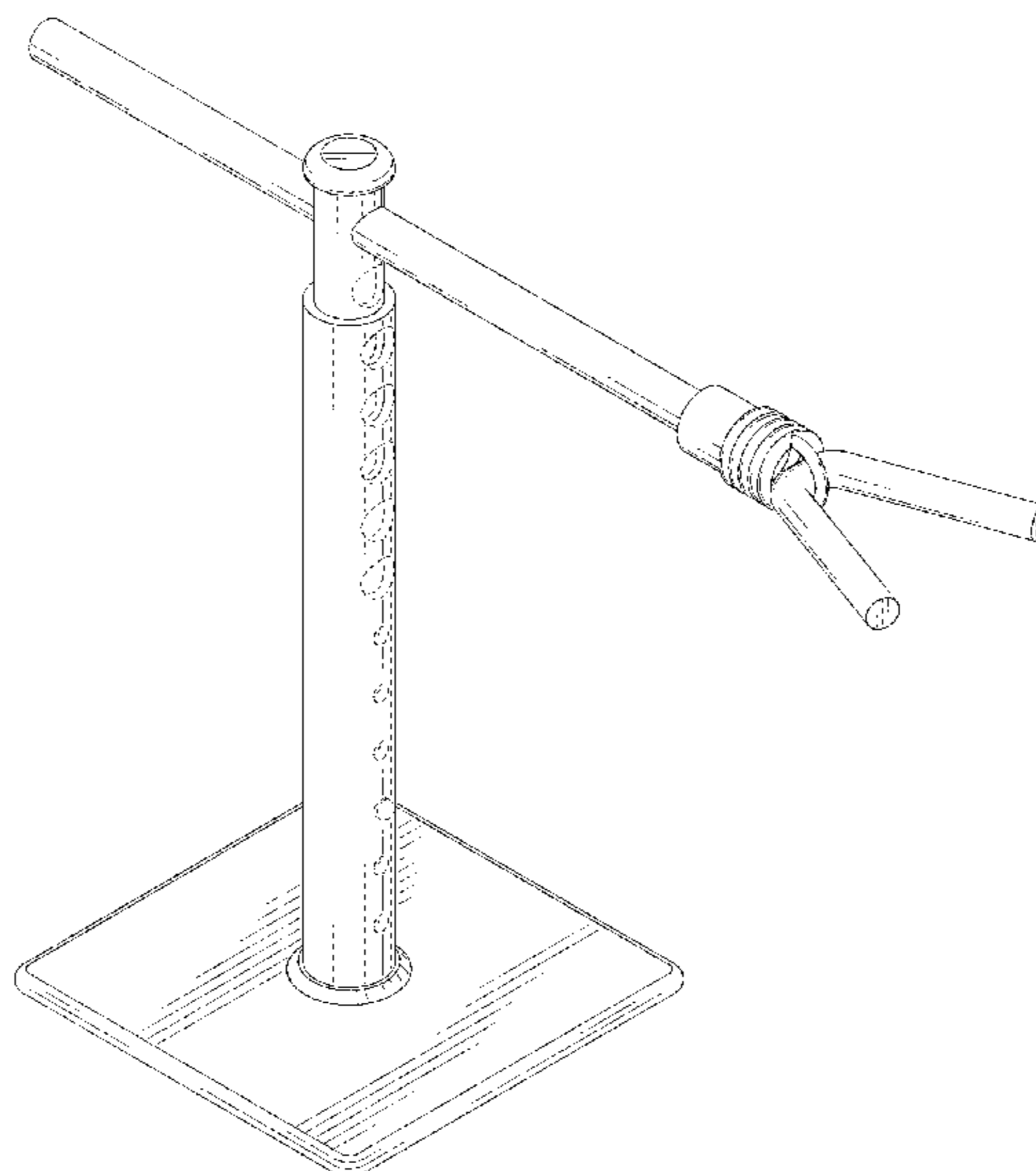
(57) **CLAIM**

The ornamental design for the punt trainer, as shown and described.

DESCRIPTION

FIG. 1 is a front-top perspective view of the punt trainer showing my new design;
 FIG. 2 is a front-bottom perspective view thereof;
 FIG. 3 is a rear-top perspective view thereof;
 FIG. 4 is a rear-bottom perspective view thereof;
 FIG. 5 is a front elevational view thereof; the rear elevational view being mirrored thereto;
 FIG. 6 is a left elevational view thereof;
 FIG. 7 is a right elevational view thereof;
 FIG. 8 is a top plan view thereof;
 FIG. 9 is a bottom plan view thereof; and,
 FIG. 10 is a front-top perspective view as in FIG. 1 but showing the punt trainer extended.
 The broken lines in FIGS. 1-7 and 10 are included for the purpose of illustrating adjustment holes that form no part of the claimed design.

1 Claim, 10 Drawing Sheets



(56)

References Cited

U.S. PATENT DOCUMENTS

5,601,286 A * 2/1997 Fierbaugh A63B 69/0091
473/429
D393,029 S * 3/1998 Koo D21/780
D487,910 S * 3/2004 Wine D21/698
D510,112 S * 9/2005 Crook, II D21/698
D667,905 S * 9/2012 Urioste D21/721
8,257,202 B1 9/2012 Stanek
8,602,920 B2 12/2013 Windsor
8,672,780 B2 3/2014 Fournier
2004/0110578 A1 * 6/2004 Orłowski A63B 43/00
473/419
2006/0035730 A1 * 2/2006 Nguyen A63B 69/0073
473/417
2013/0109509 A1 5/2013 Ragen
2015/0209644 A1 * 7/2015 Verma A63B 69/38
473/419
2016/0271473 A1 * 9/2016 Fitzpatrick A63B 69/0075
2018/0056161 A1 * 3/2018 Mesplay A63B 69/0091
2018/0111031 A1 * 4/2018 Carney A63B 69/0075

* cited by examiner

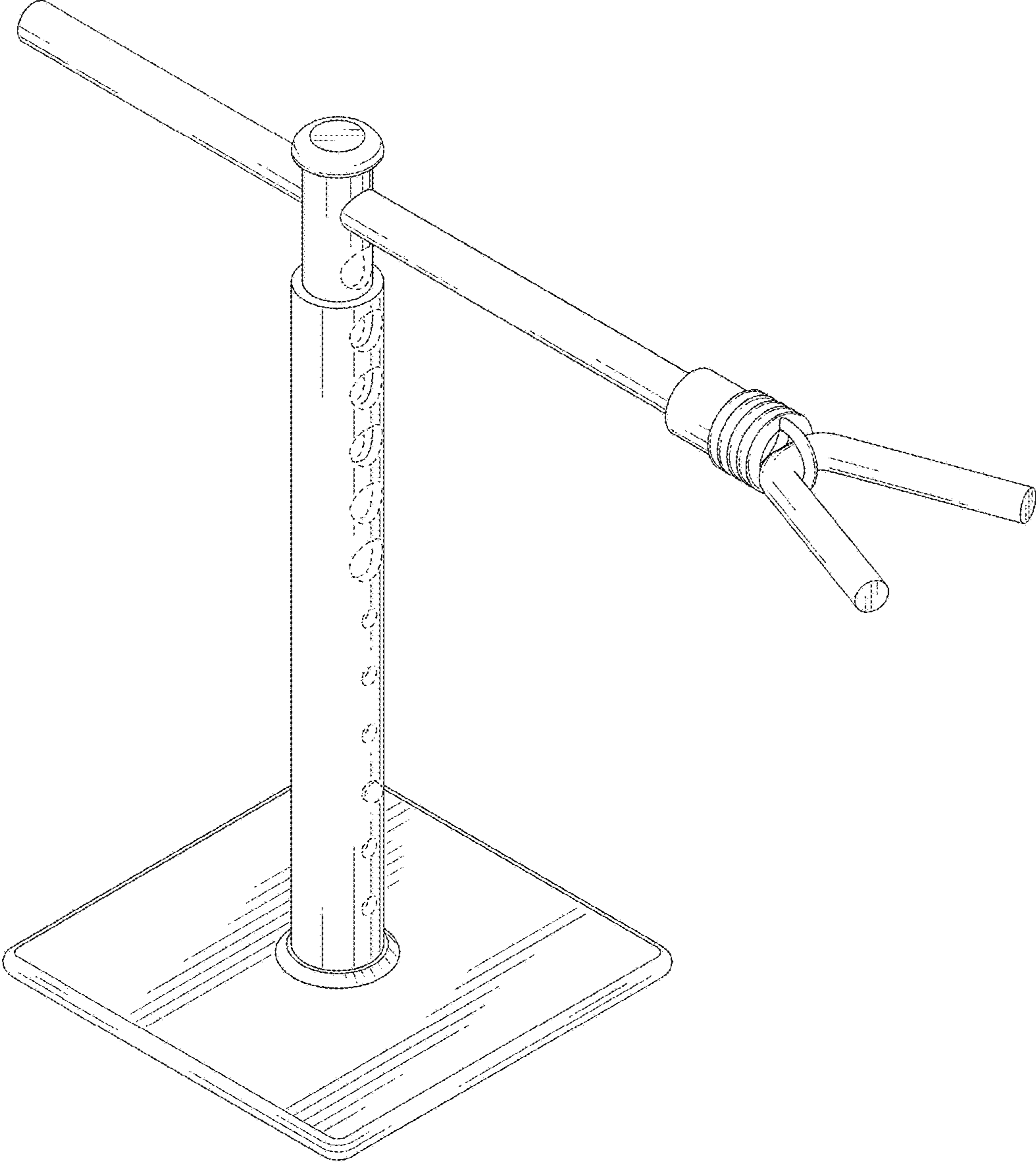


FIG. 1

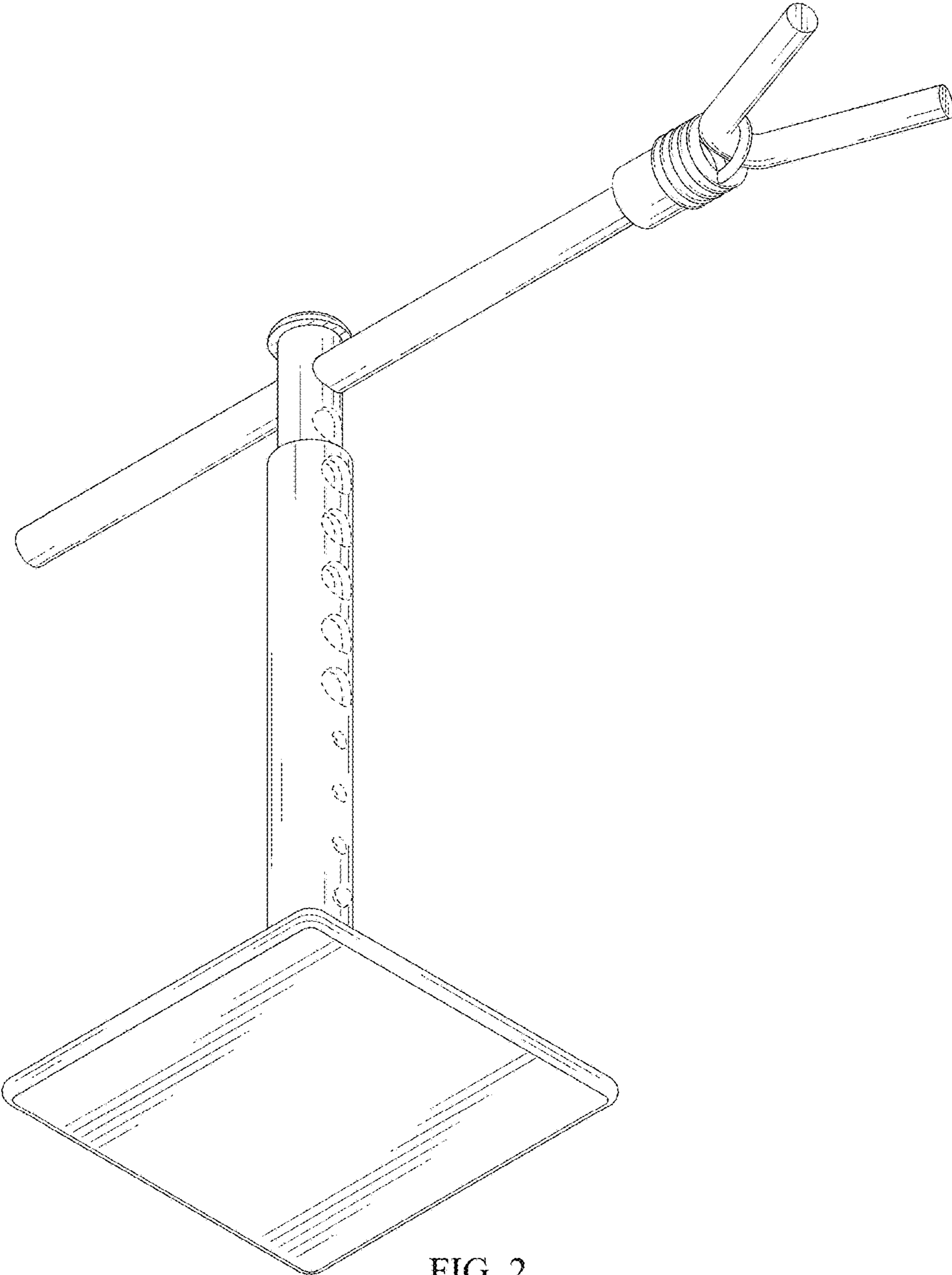


FIG. 2

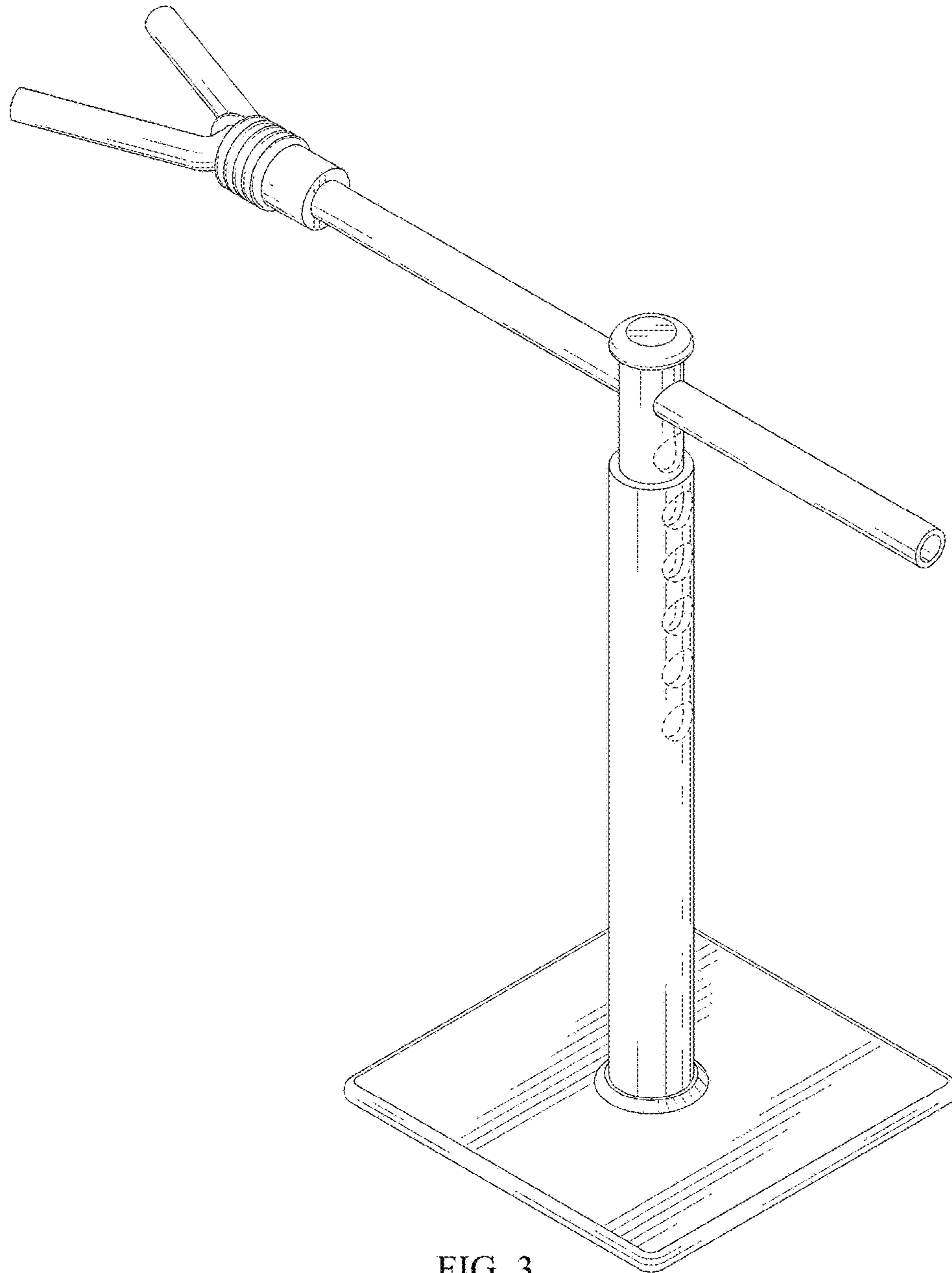


FIG. 3

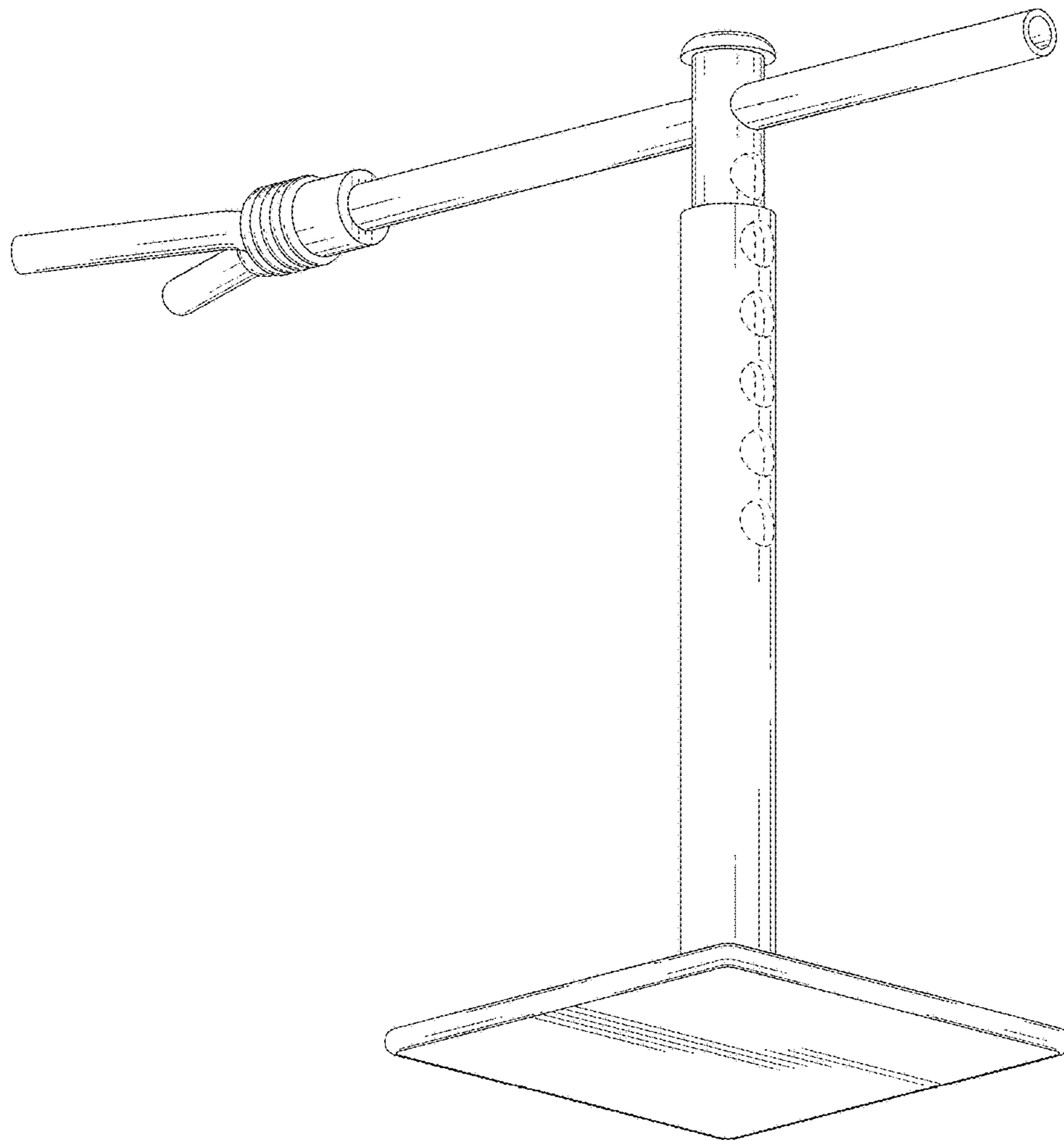


FIG. 4

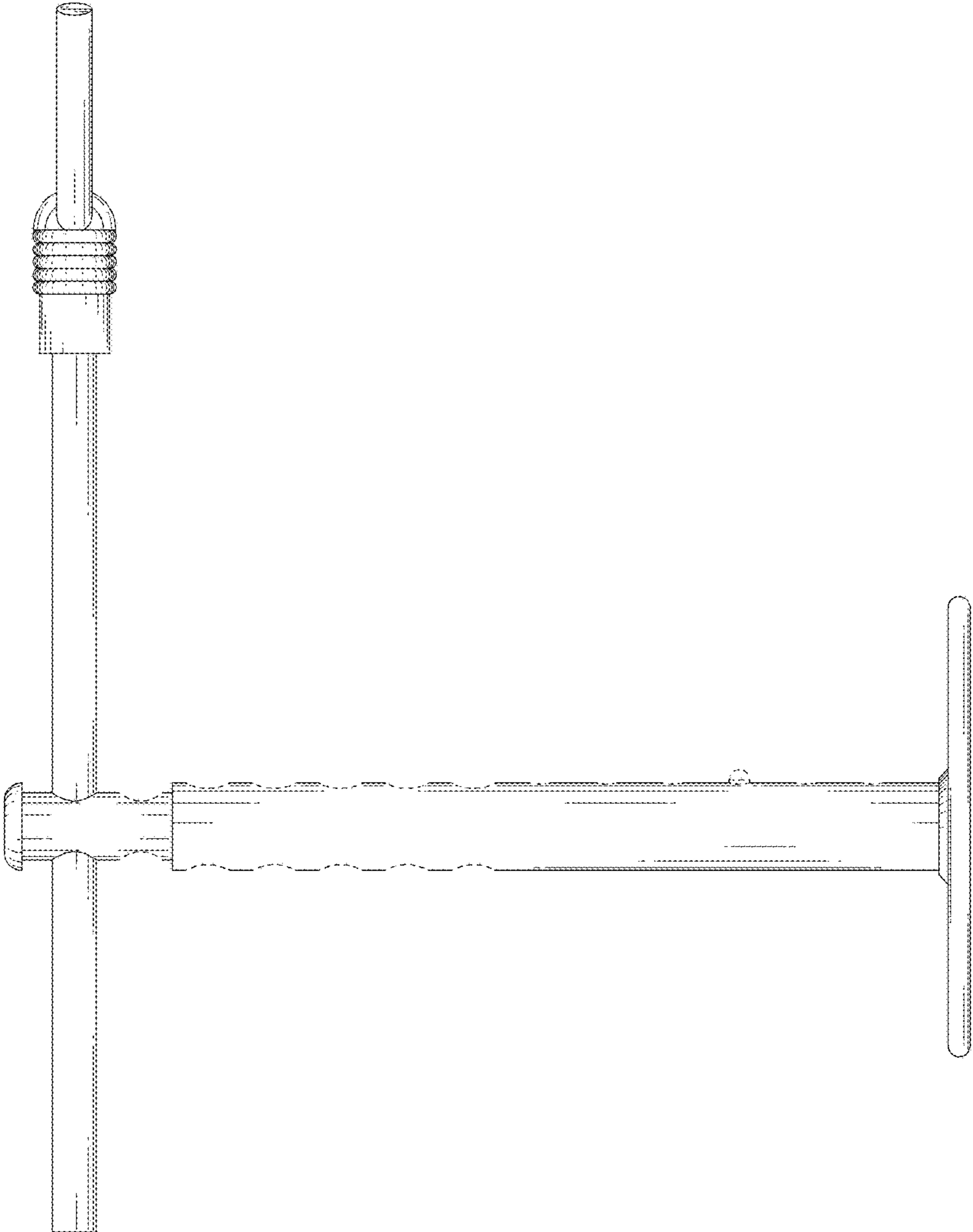


FIG. 5

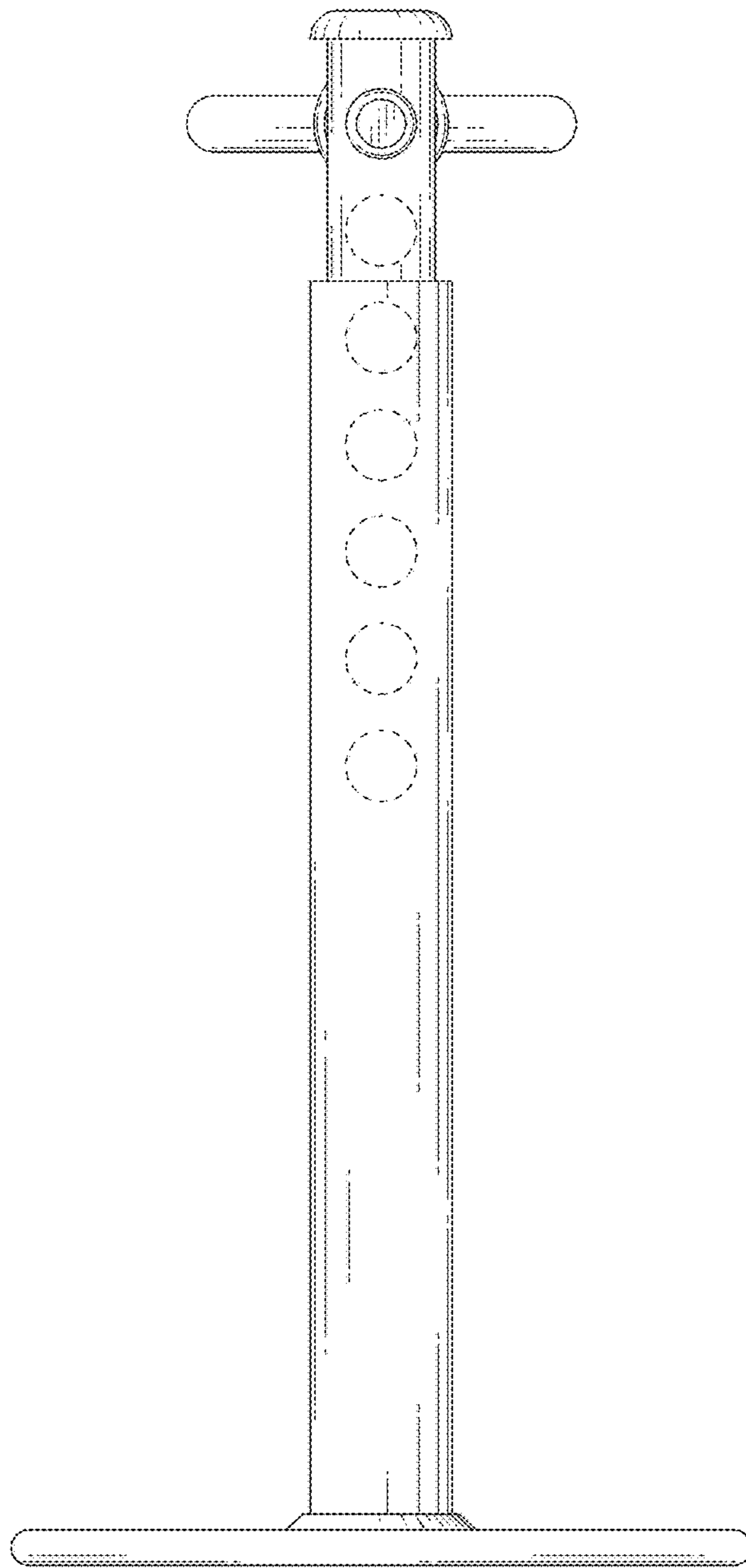


FIG. 6

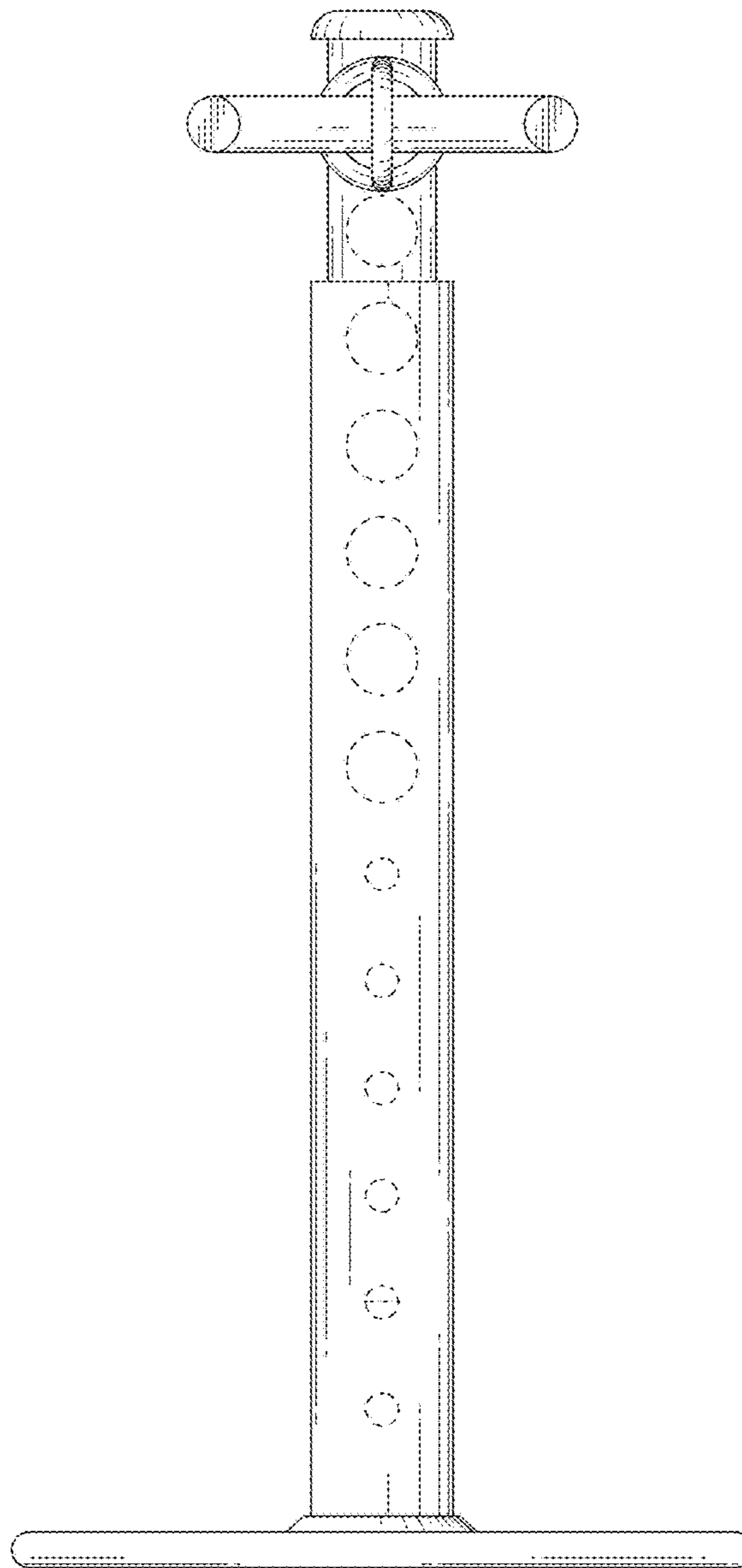


FIG. 7

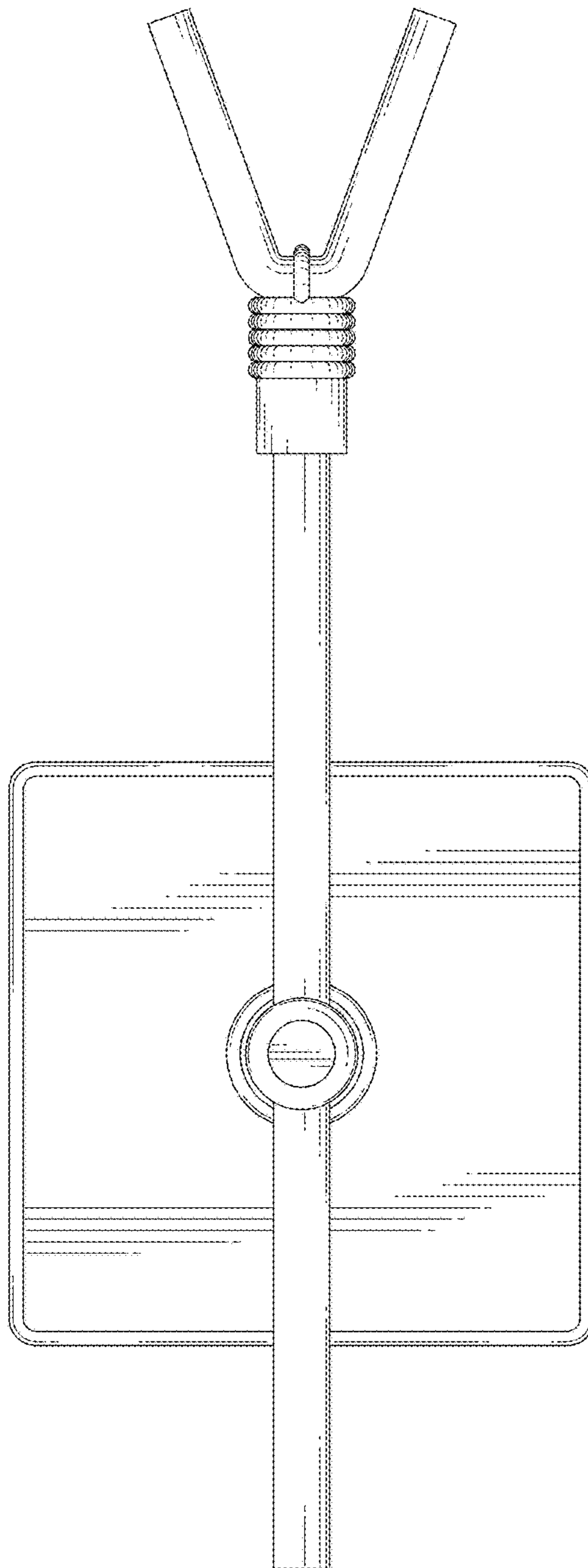


FIG. 8

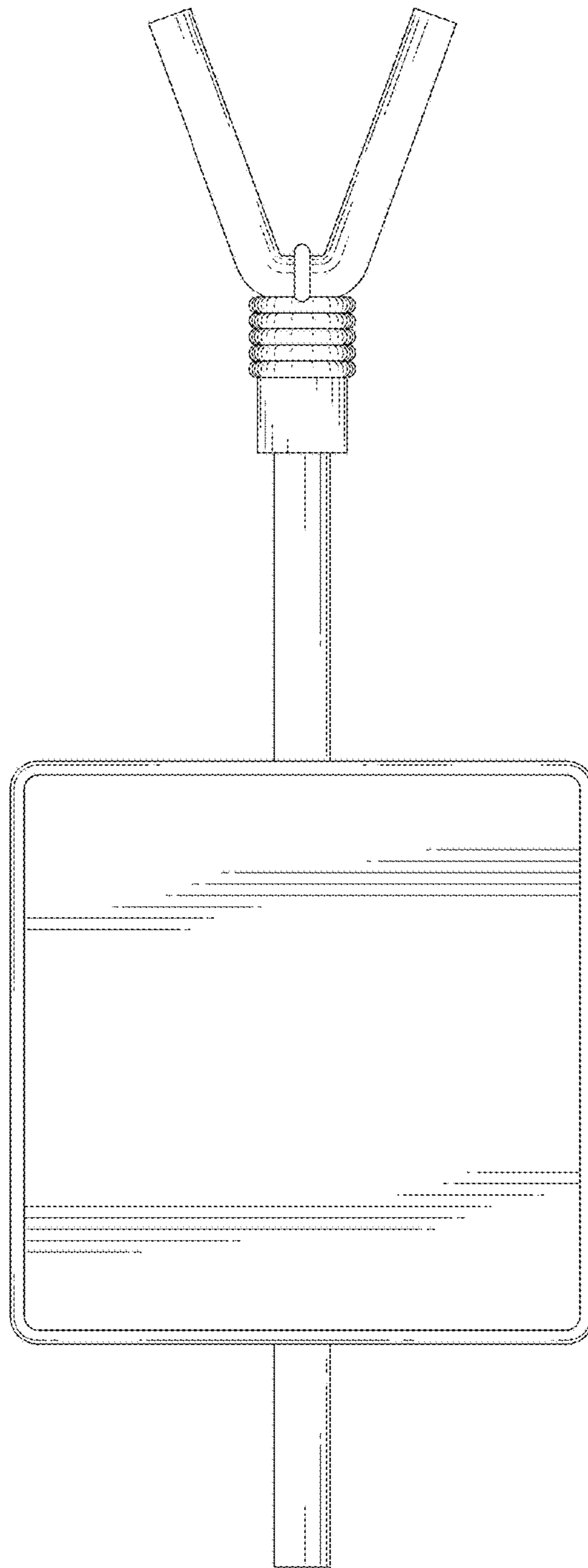


FIG. 9

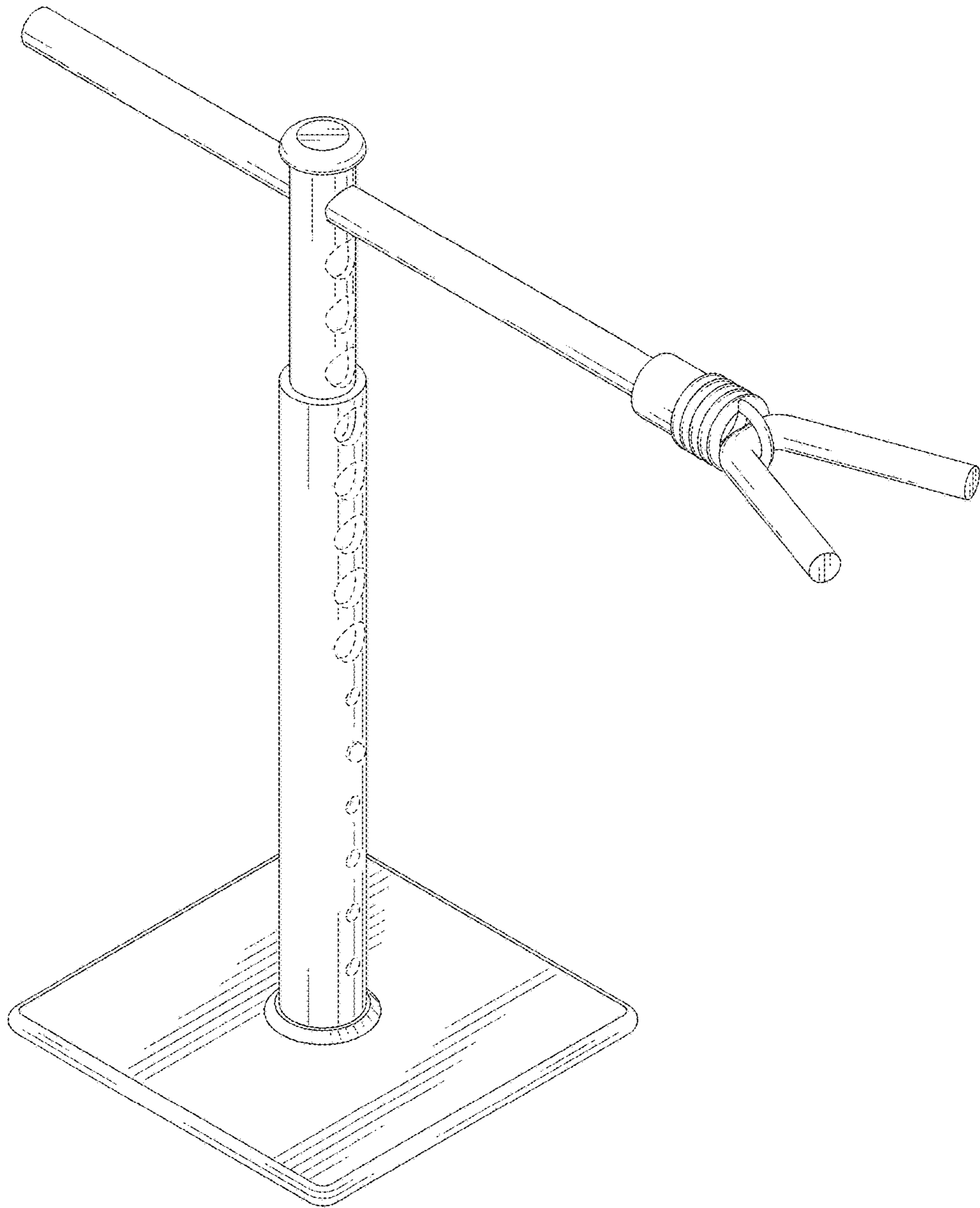


FIG. 10