



US00D845404S

(12) **United States Design Patent** (10) **Patent No.:** **US D845,404 S**
Kuka (45) **Date of Patent:** **** *Apr. 9, 2019**

- (54) **EXERCISE BAR**
- (71) Applicant: **Move Strong Functional Fitness Equipment LLC**, Chattanooga, TN (US)
- (72) Inventor: **Jared Kuka**, Chattanooga, TN (US)
- (73) Assignee: **MoveStrong Functional Fitness Equipment, LLC**, Chattanooga, TN (US)
- (*) Notice: This patent is subject to a terminal disclaimer.
- (**) Term: **15 Years**
- (21) Appl. No.: **29/554,355**
- (22) Filed: **Feb. 10, 2016**
- (51) **LOC (11) Cl.** **21-02**
- (52) **U.S. Cl.**
USPC **D21/679**
- (58) **Field of Classification Search**
USPC D21/680, 682, 681, 678, 662, 679, 684, D21/686, 801, 694; 173/102, 103, 118, 173/126, 133; 482/108, 93, 110, 111, 482/105, 8, 107, 106, 139, 94, 104, 140, 482/109, 51, 70, 74, 98, 1, 121, 55; D9/680, 629, 456; D8/85, 45, 107, 90, D8/317, 387, 397, 343, 31, 75, 14; D11/81, 91, 56, 80, 7, 52, 14, 201; D12/215
CPC A63B 21/4035; A63B 21/0552; A63B 23/0211; A63B 21/0728; A63B 21/075; A63B 21/072
See application file for complete search history.

D317,641 S * 6/1991 Gerard D21/682
D320,249 S * 9/1991 Gerard D21/682
5,725,461 A * 3/1998 Bogard, II A63B 21/072
482/106

(Continued)

OTHER PUBLICATIONS

MoveStrong by MoveStrong dated Apr. 13, 2015. Found online [Sep. 29, 2017]<https://www.youtube.com/watch?v=BxJy-AgZGsE> (Year: 2015).*

(Continued)

Primary Examiner — Ryan Harvey
(74) *Attorney, Agent, or Firm* — Patterson Intellectual Property Law, P.C.; Ryan D. Levy

(57) **CLAIM**

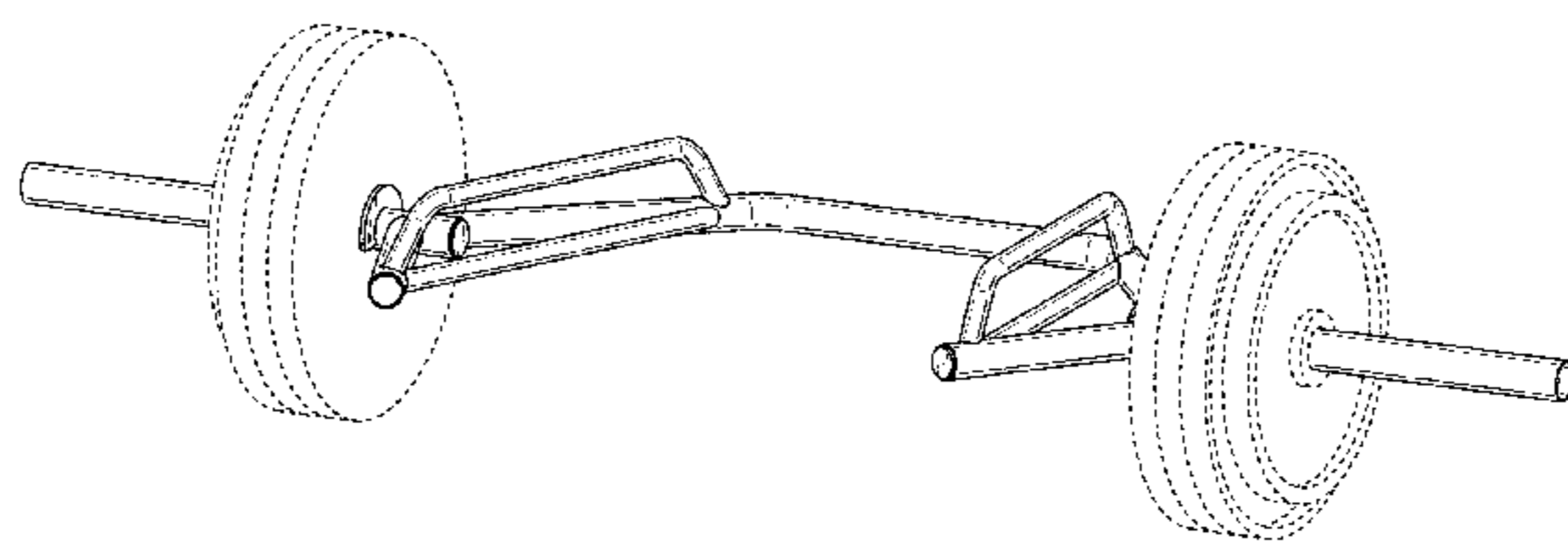
The ornamental design for an exercise bar, as shown and described.

DESCRIPTION

FIG. 1 is a first perspective view of the exercise bar of Applicant's invention.
FIG. 2 is a second perspective view of the exercise bar of Applicant's invention.
FIG. 3 is a third perspective view of the exercise bar of Applicant's invention.
FIG. 4 is a top view of the exercise bar of Applicant's invention.
FIG. 5 is a bottom elevation view of the exercise bar of Applicant's invention.
FIG. 6 is a front view of the exercise bar of Applicant's invention.
FIG. 7 is a back elevation view of the exercise bar of Applicant's invention; and,
FIG. 8 is a right view of the exercise bar of Applicant's invention.
The broken line showing of weight plates in FIG. 1 depicts environment and forms no part of the claim.

1 Claim, 5 Drawing Sheets

- (56) **References Cited**
U.S. PATENT DOCUMENTS
4,018,442 A * 4/1977 Galler A63B 21/0724
482/106
D261,788 S * 11/1981 Burns D21/682



(56)

References Cited

U.S. PATENT DOCUMENTS

6,004,245 A * 12/1999 Boos A63B 21/072
482/106
D685,865 S * 7/2013 Kuhn D21/679
8,556,781 B1 * 10/2013 Fitzpatrick A63B 21/0724
482/106
8,951,170 B1 * 2/2015 Tayo A63B 21/0724
482/107
9,254,408 B1 * 2/2016 Otto A63B 21/055
D776,209 S * 1/2017 Gilbert D21/683
2017/0106226 A1 * 4/2017 Mann A63B 21/0724

OTHER PUBLICATIONS

Functional Trap Bar by Intek dated no date given. Found online
[Sep. 29, 2017][https://intekstrength.com/product/functional-trap-
bar/](https://intekstrength.com/product/functional-trap-bar/) (Year: 0).*

* cited by examiner

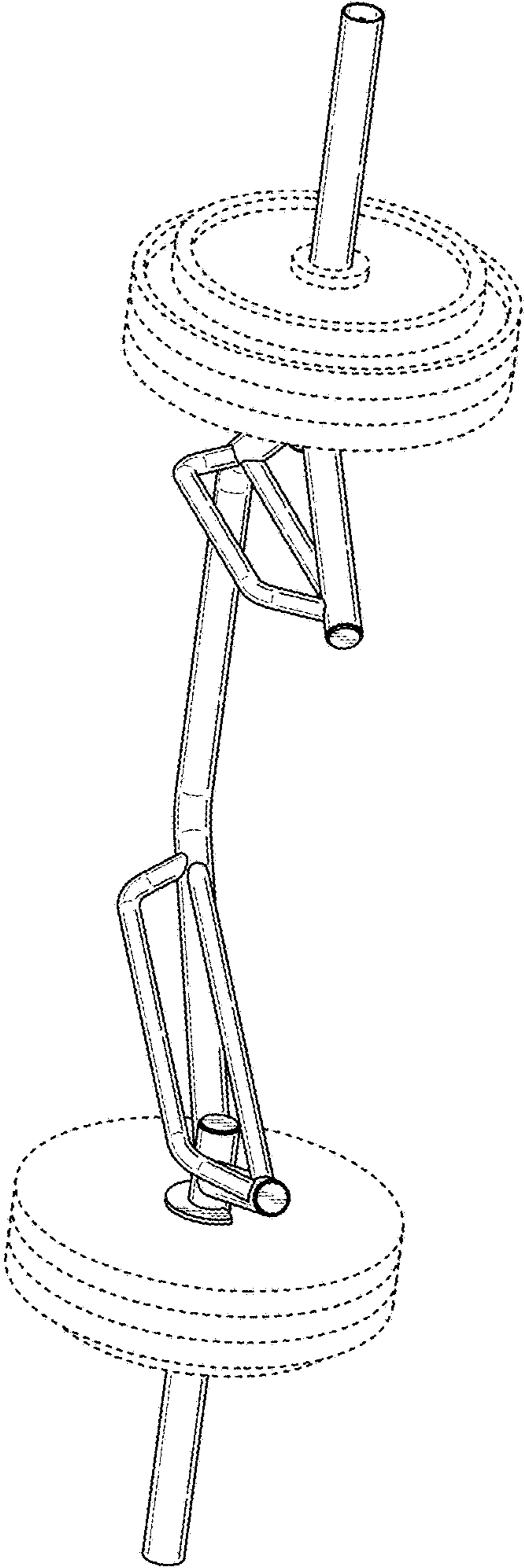


FIG. 1

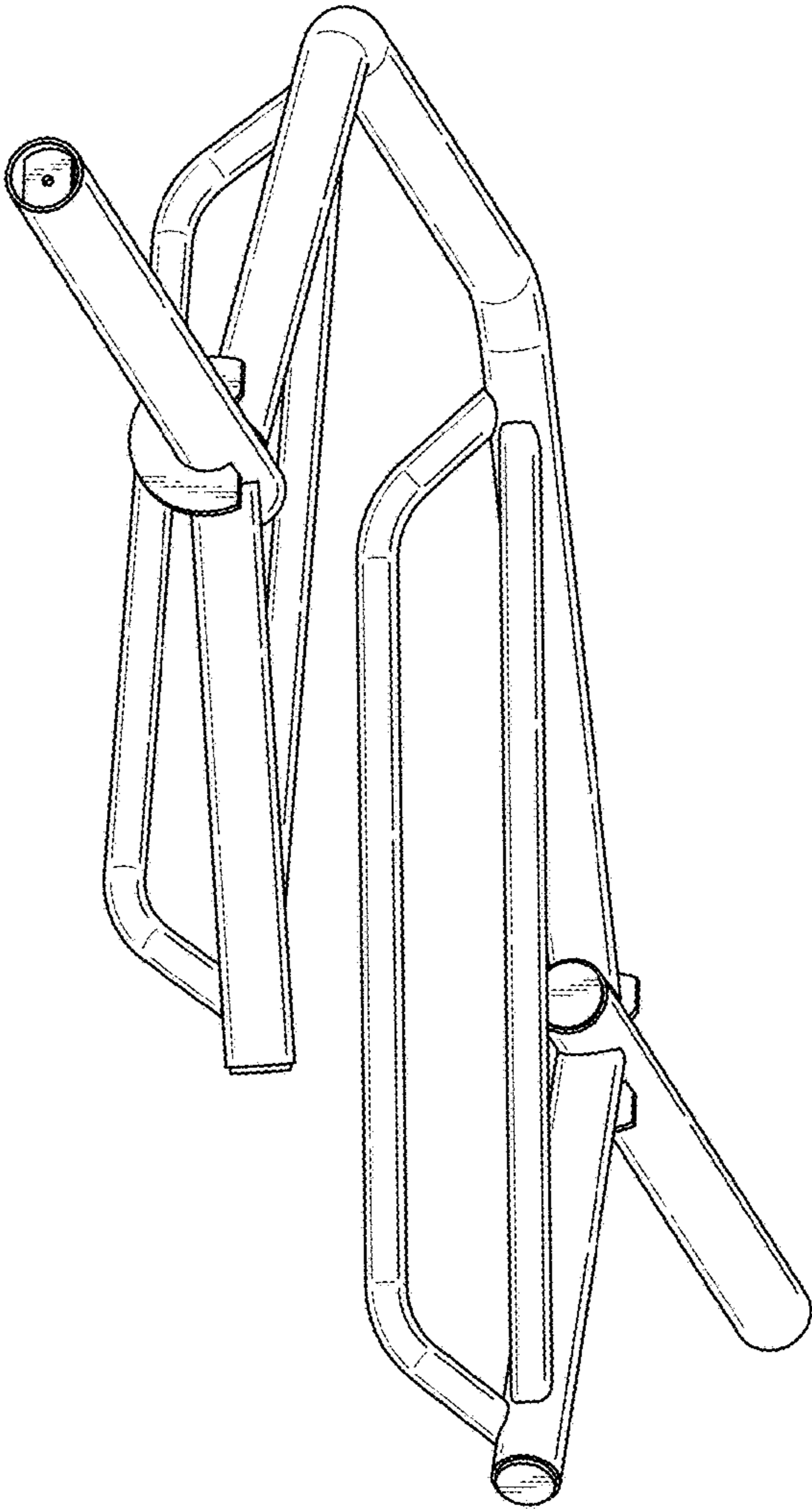


FIG. 2

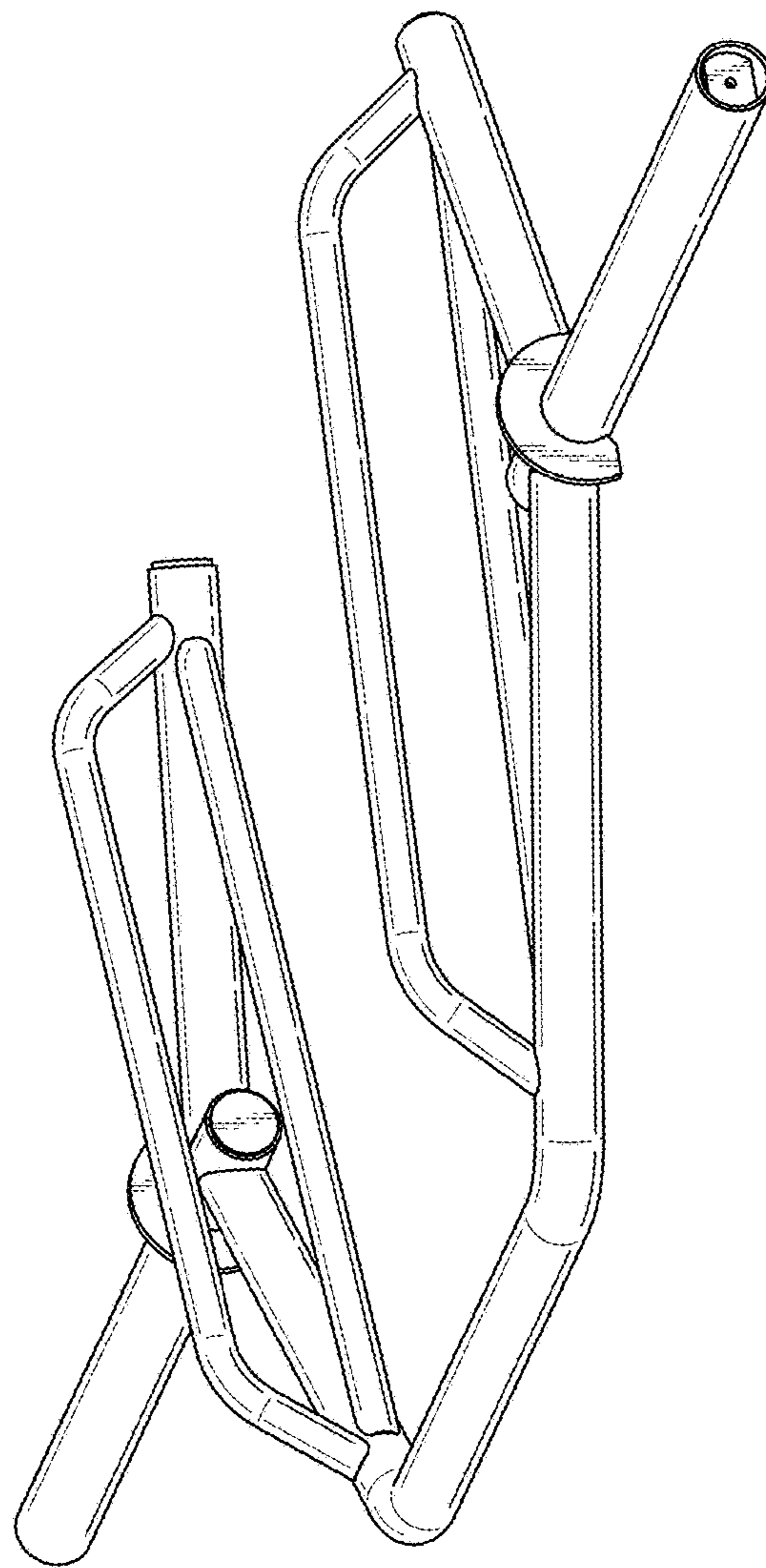


FIG. 3

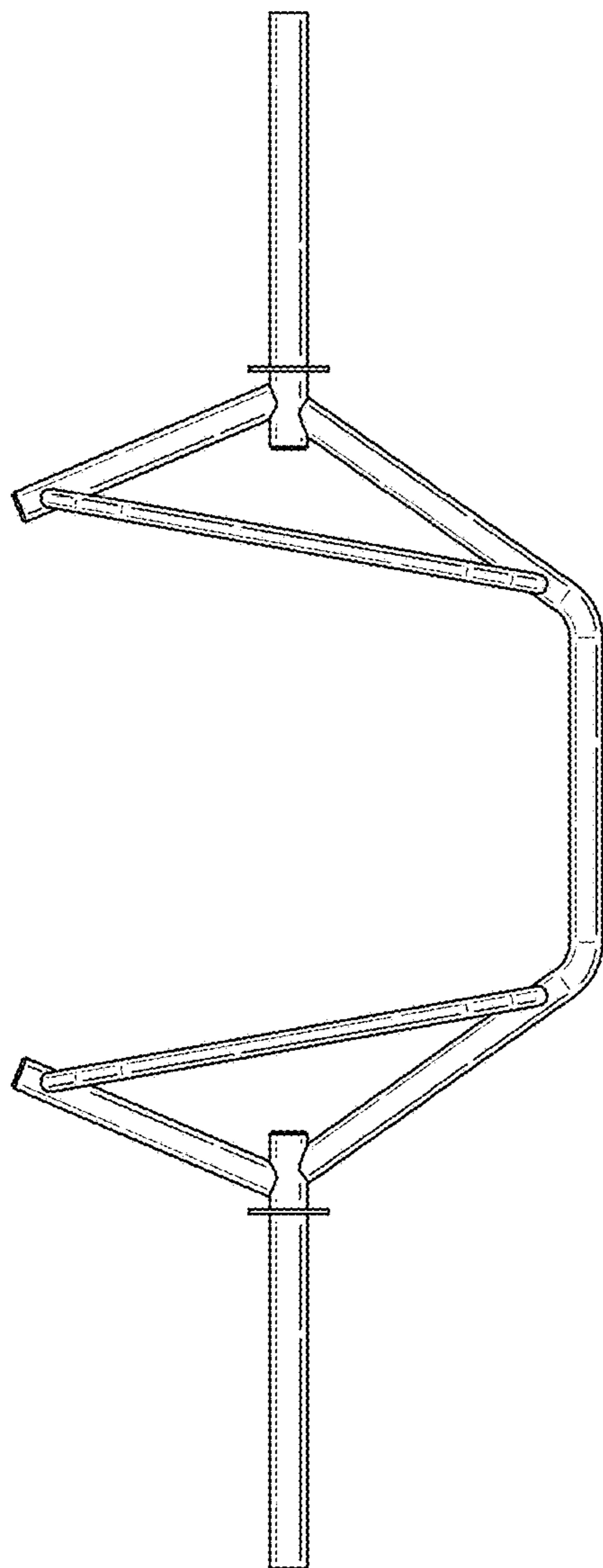


FIG. 4

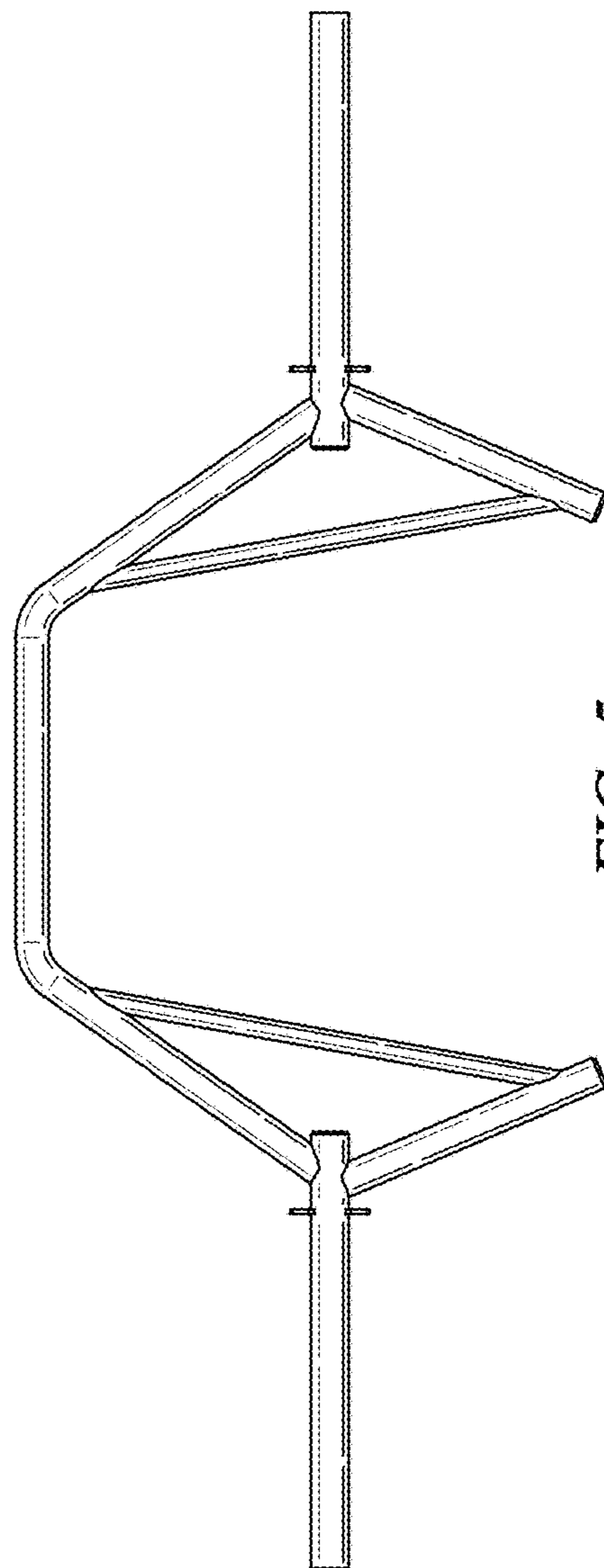


FIG. 5



FIG. 6

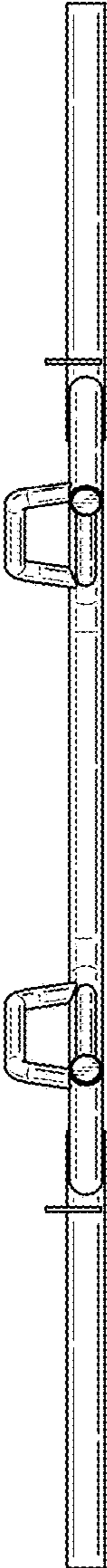


FIG. 7

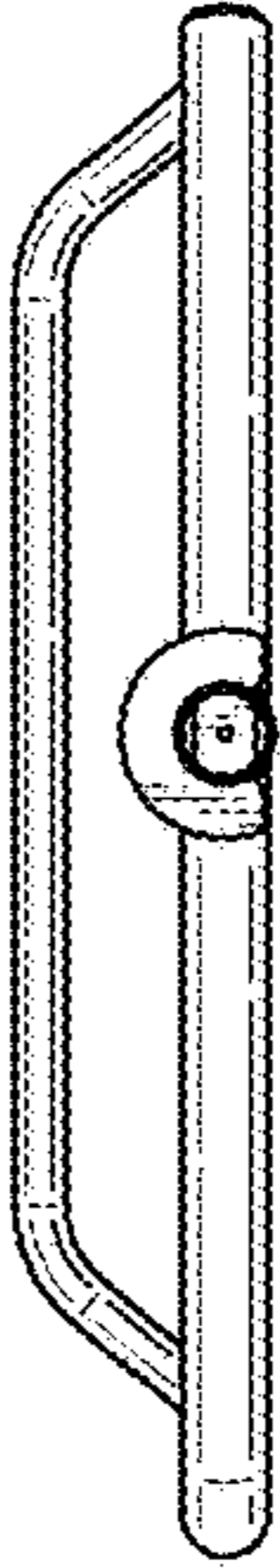


FIG. 8