



US00D845399S

(12) **United States Design Patent** (10) **Patent No.:** **US D845,399 S**
Kahl (45) **Date of Patent:** **** Apr. 9, 2019**

- (54) **TOY ELEMENT**
- (71) Applicant: **LEGO A/S**, Billund (DK)
- (72) Inventor: **Sven Robin Kahl**, Billund (DK)
- (73) Assignee: **LEGO A/S**, Billund (DK)
- (**) Term: **15 Years**
- (21) Appl. No.: **29/613,575**
- (22) Filed: **Aug. 11, 2017**

- D252,978 S 9/1979 Bayly
- D252,979 S 9/1979 Bayly
- D252,980 S 9/1979 Bayly
- D252,981 S 9/1979 Fenton
- 4,205,482 A 6/1980 Christiansen et al.
- D282,090 S 1/1986 Takahashi
- D287,519 S 12/1986 Takahashi
- D295,644 S * 5/1988 Takahashi D21/495
- 4,744,780 A 5/1988 Volpe
- D321,648 S 11/1991 Ricci
- D324,084 S 2/1992 Knudsen
- D346,629 S * 5/1994 Ruzskai D21/495
- D353,851 S 12/1994 Glynn
- D354,319 S 1/1995 Wilson
- D365,756 S 1/1996 Rask et al.
- D378,837 S 4/1997 Olsen et al.
- 5,683,283 A 11/1997 Glynn

Related U.S. Application Data

- (62) Division of application No. 35/500,881, filed on Dec. 30, 2015 (U.S. filing date under 35 U.S.C. 384), and having an international filing date of Dec. 30, 2015, now Pat. No. Des. 806,181.

Foreign Application Priority Data

- Dec. 30, 2015 (WO) DM/090 221
- (51) **LOC (11) Cl.** **21-01**
- (52) **U.S. Cl.**
USPC **D21/495**
- (58) **Field of Classification Search**
USPC D21/484, 486, 491, 494-495, 576, 585,
D21/621, 658-659
See application file for complete search history.

References Cited

U.S. PATENT DOCUMENTS

- 3,005,282 A 10/1961 Christiansen
- 3,034,254 A 5/1962 Christiansen
- 3,597,875 A 8/1971 Christiansen
- D252,908 S 9/1979 Bayly
- D252,909 S 9/1979 Bayly
- D252,910 S 9/1979 Bayly
- D252,977 S 9/1979 Bayly

(Continued)

OTHER PUBLICATIONS

USPTO's Requirement for Restriction/Election with references, issued in corresponding U.S. Appl. No. 35/500,881, dated Apr. 14, 2017.

Primary Examiner — George D. Kirschbaum
(74) *Attorney, Agent, or Firm* — Day Pitney LLP

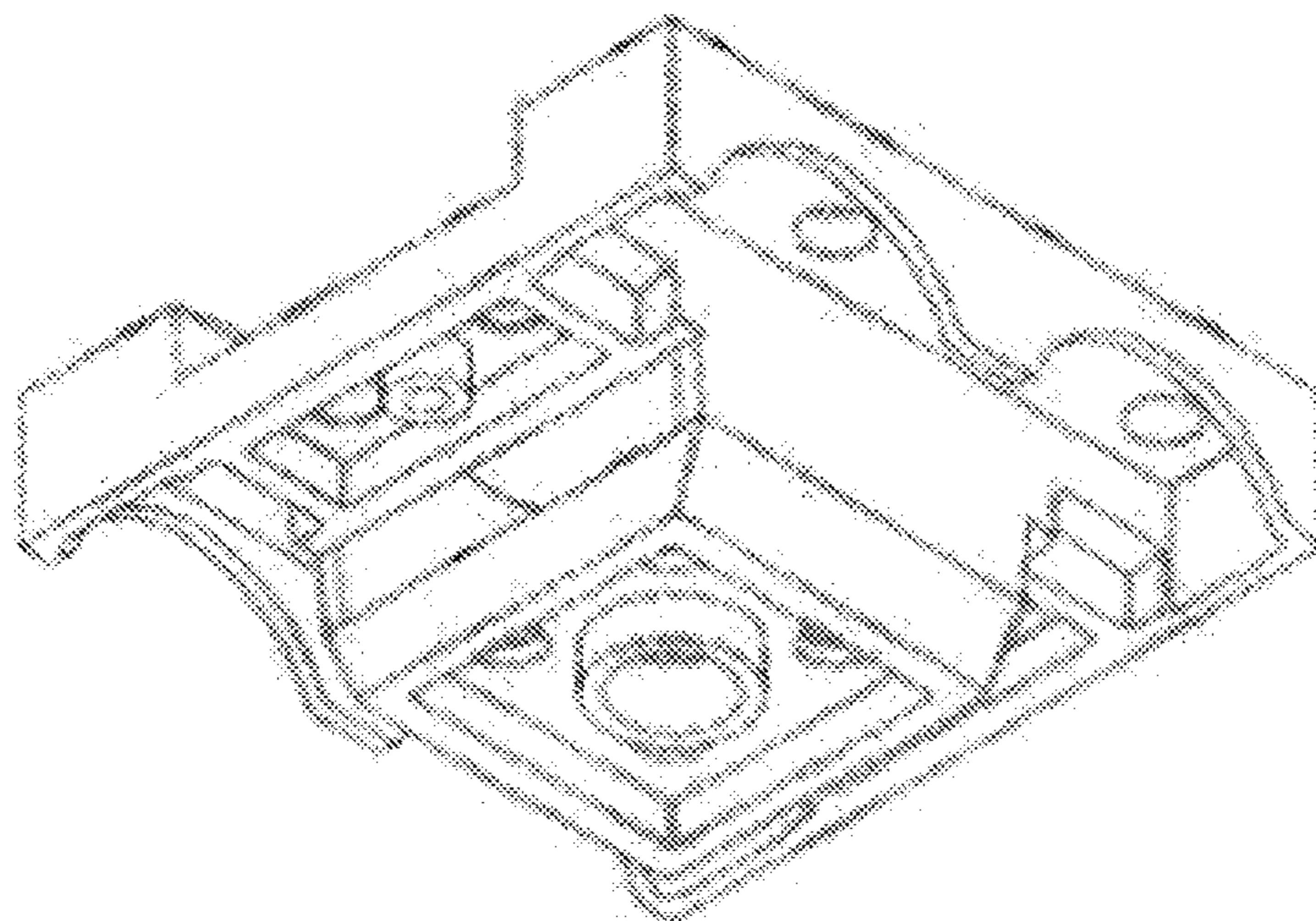
(57) **CLAIM**

The ornamental design for a toy element, as shown and described.

DESCRIPTION

FIG. 1 is a rear perspective view of my ornamental design for toy element;
FIG. 2 is a front perspective view thereof;
FIG. 3 is a bottom plan view thereof;
FIG. 4 is a top plan view thereof;
FIG. 5 is a side elevational view thereof; and,
FIG. 6 is a front elevational view thereof.

1 Claim, 6 Drawing Sheets



(56)

References Cited

U.S. PATENT DOCUMENTS

D389,408	S	1/1998	Rask et al.	
6,547,624	B1	4/2003	Bojesen et al.	
6,736,691	B1	5/2004	Bach	
D597,150	S *	7/2009	Oikawa	D21/495
7,708,615	B2	5/2010	Munch	
8,690,631	B2	4/2014	Nag	
8,756,894	B2	6/2014	Swartz et al.	
D715,377	S	10/2014	Cunningham	
D718,823	S	12/2014	Cunningham	
8,905,812	B2	12/2014	Pai-Chen	
9,010,059	B2	4/2015	Lin	
D731,599	S	6/2015	Pilgaard	
D749,680	S	2/2016	Lin	
D771,198	S	11/2016	Ryaa	
D771,199	S	11/2016	Ryaa	
D777,845	S	1/2017	Marcil et al.	
9,539,519	B2	1/2017	Vollers et al.	
D817,411	S *	5/2018	Simonds	D21/491
2009/0215357	A1	8/2009	Seligman	

* cited by examiner

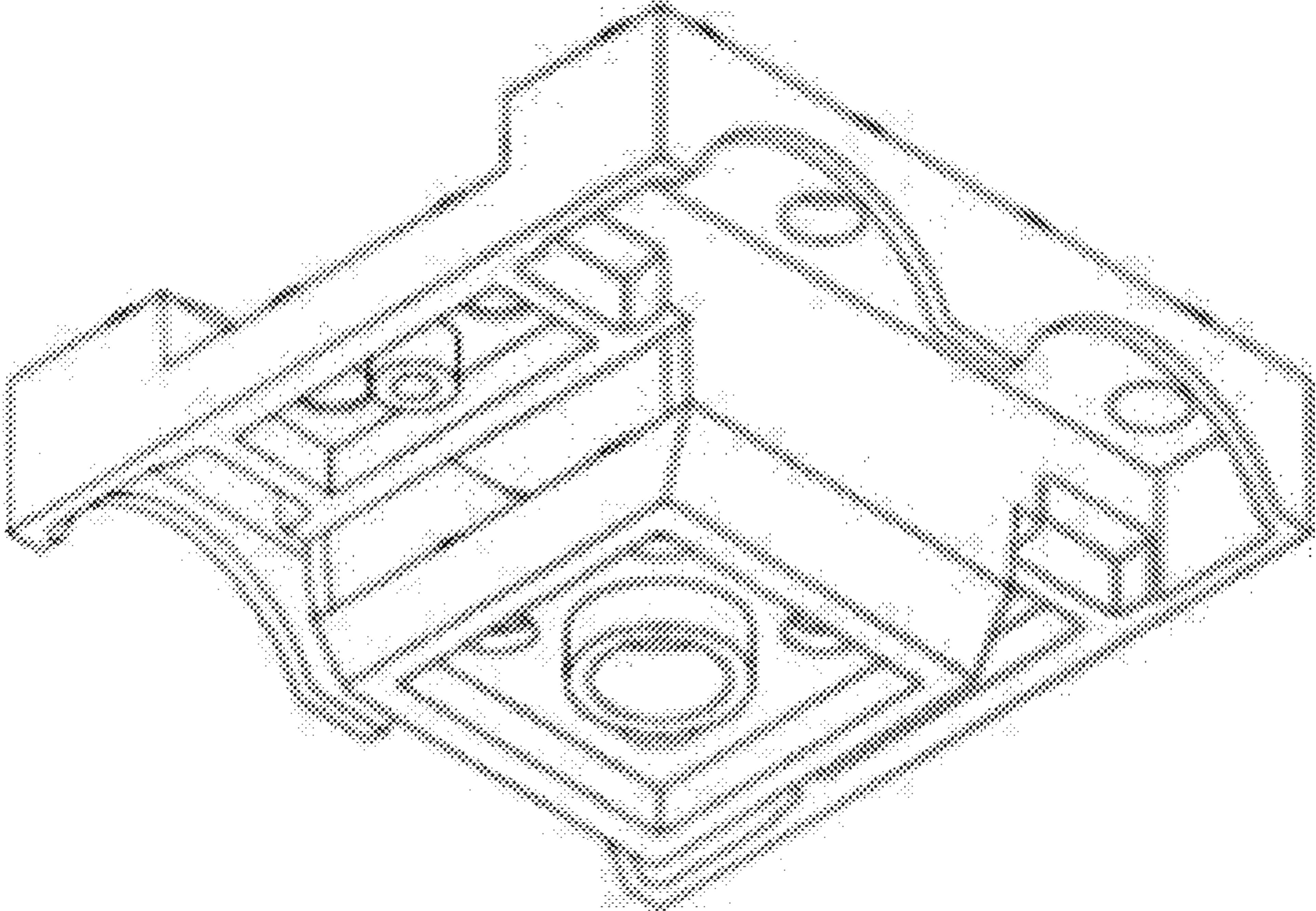


FIG. 1

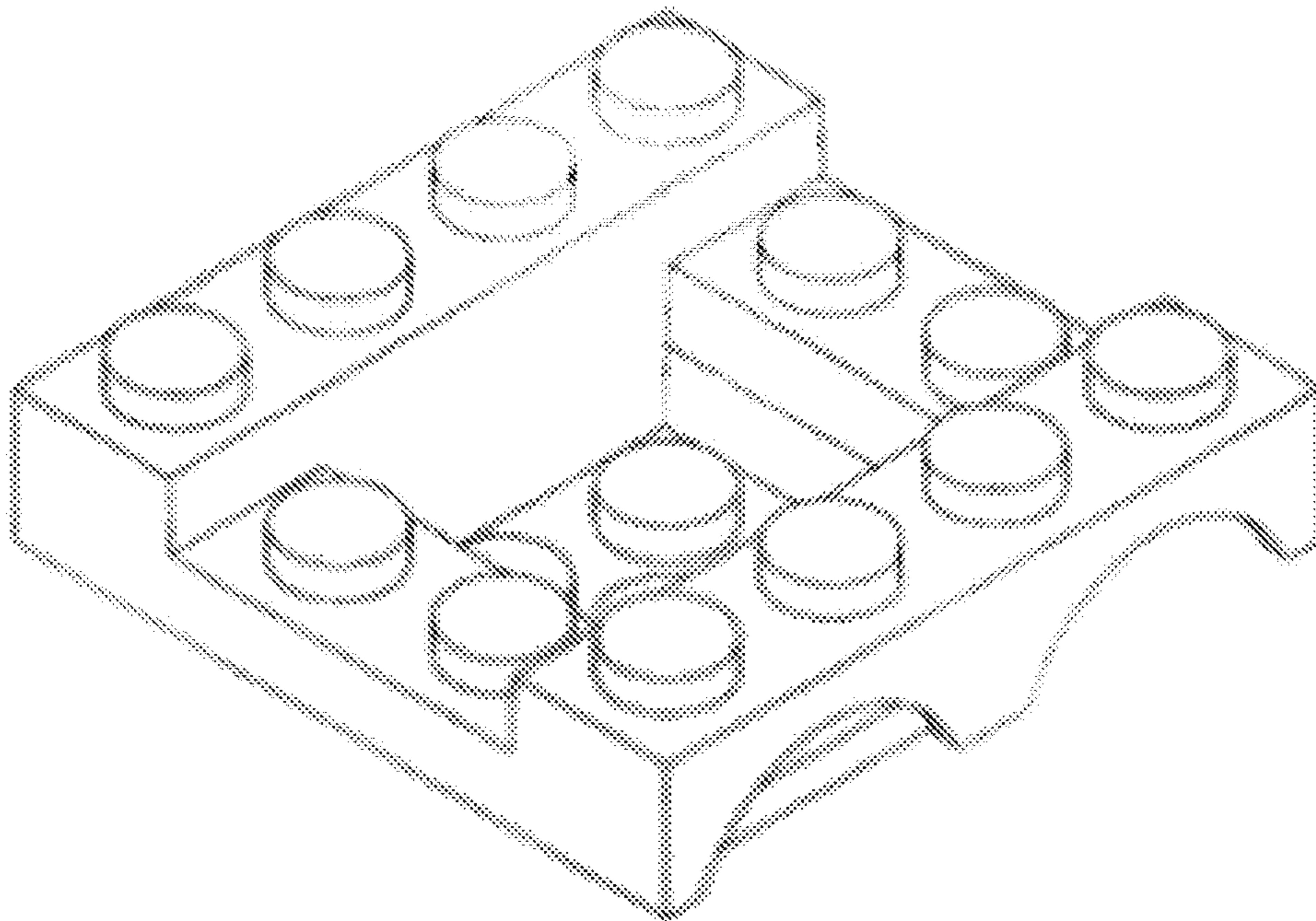


FIG. 2

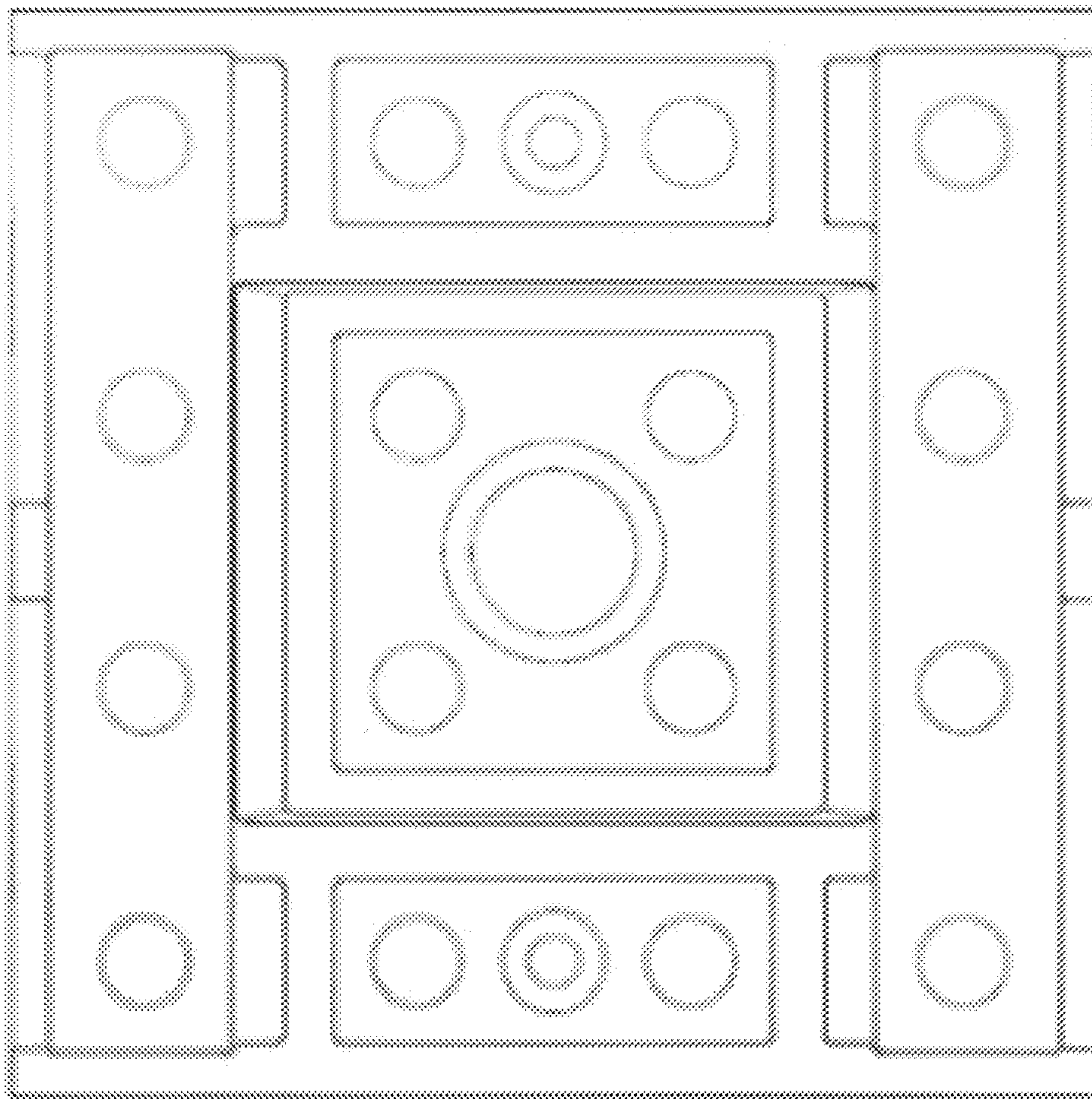


FIG. 3

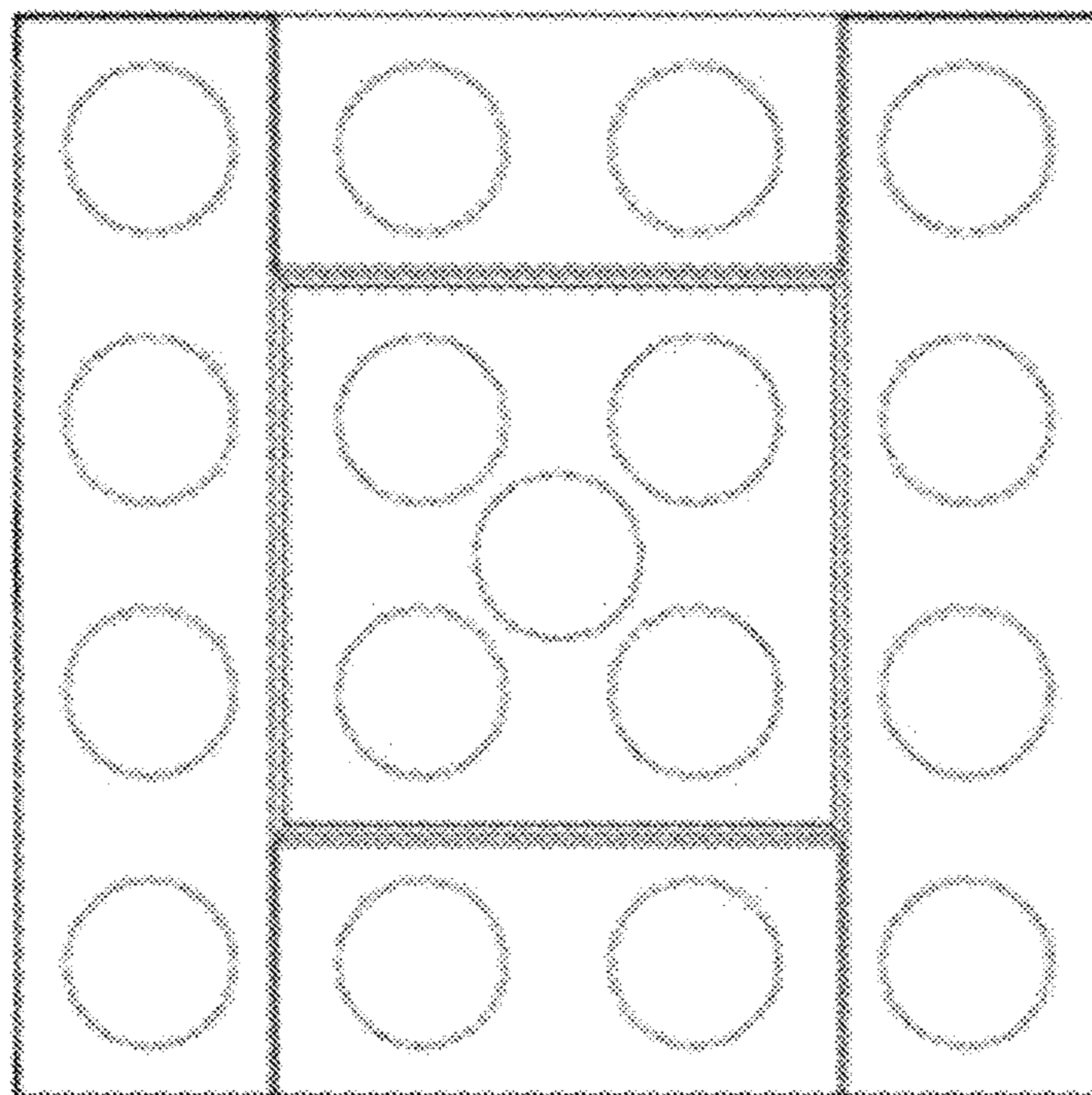


FIG. 4

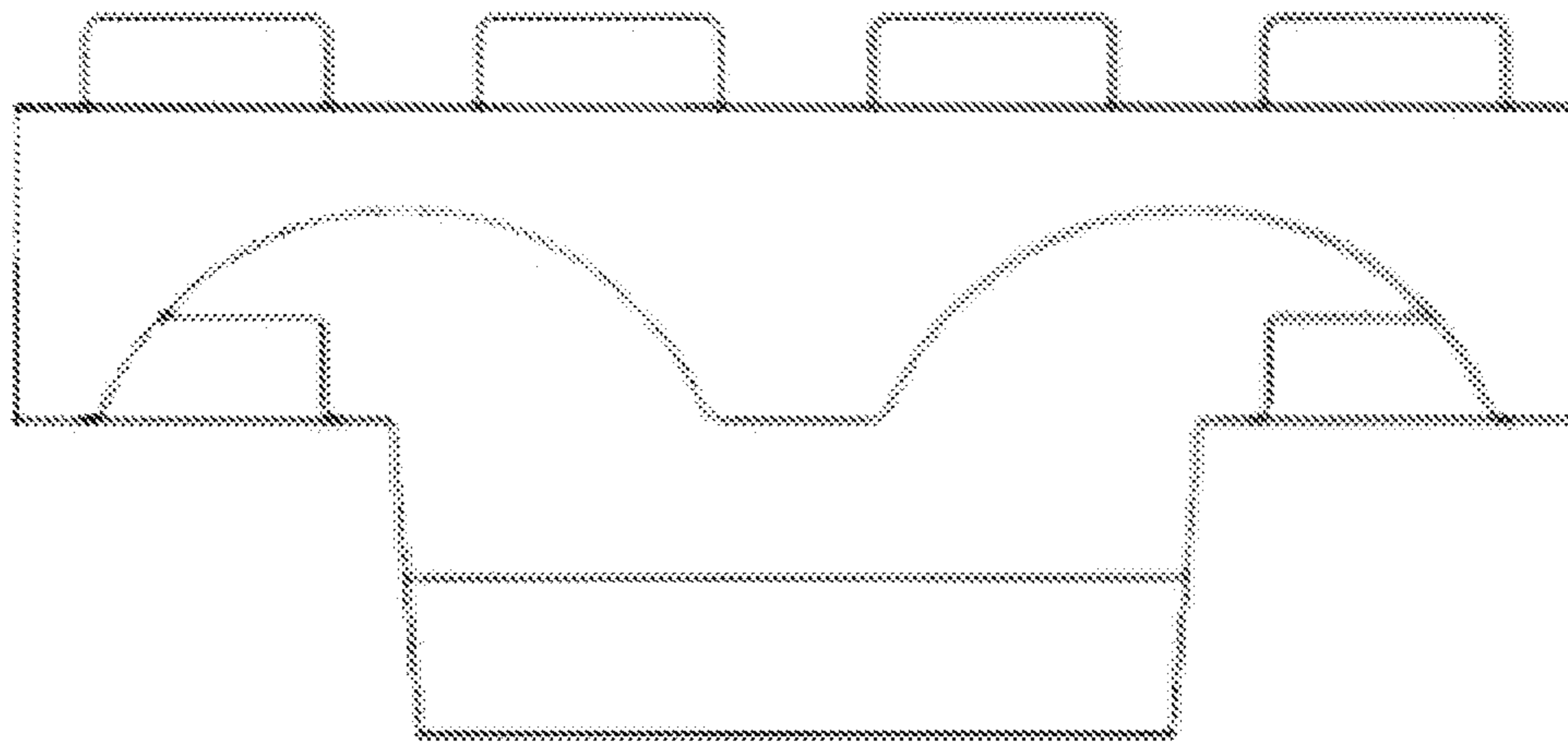


FIG. 5

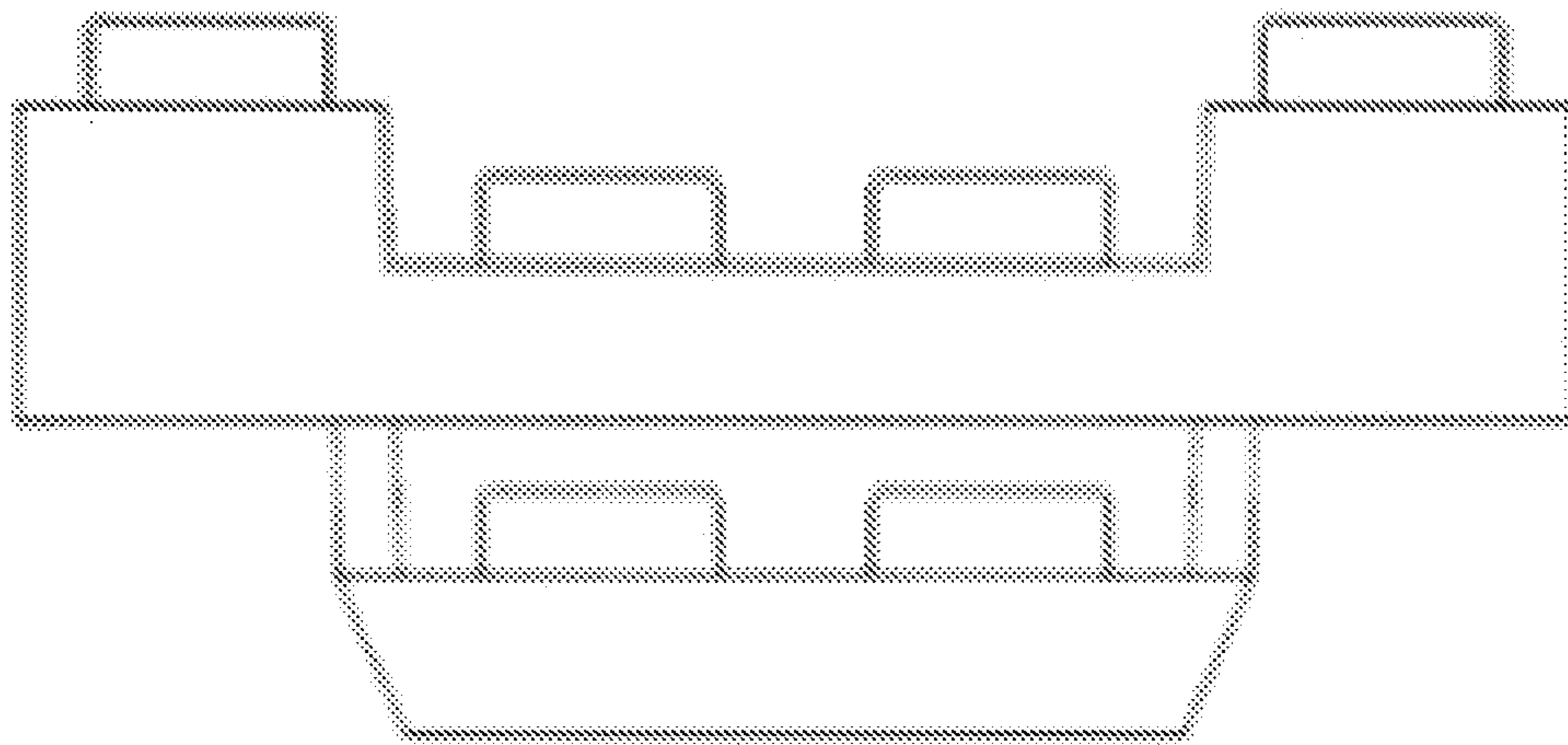


FIG. 6