

US00D845397S

(12) **United States Design Patent** (10) **Patent No.:** **US D845,397 S**
Cohen (45) **Date of Patent:** **** Apr. 9, 2019**

(54) **TOY ELEMENT**
(71) Applicant: **LEGO A/S**, Billund (DK)
(72) Inventor: **Michael James Cohen**, Vejle (DK)
(73) Assignee: **LEGO A/S**, Billund (DK)
(**) Term: **15 Years**
(21) Appl. No.: **29/613,585**
(22) Filed: **Aug. 11, 2017**

D252,978 S 9/1979 Bayly
D252,979 S 9/1979 Bayly
D252,980 S 9/1979 Bayly
D252,981 S 9/1979 Fenton
4,205,482 A 6/1980 Christiansen et al.
D282,090 S 1/1986 Takahashi
D287,519 S 12/1986 Takahashi
4,744,780 A 5/1988 Volpe
D321,648 S 11/1991 Ricci
D324,084 S 2/1992 Knudsen
D353,851 S 12/1994 Glynn
D354,319 S 1/1995 Wilson
D365,756 S 1/1996 Rask et al.
D378,837 S 4/1997 Olsen et al.
5,683,283 A 11/1997 Glynn
D389,408 S 1/1998 Rask et al.

(Continued)

Related U.S. Application Data

(62) Division of application No. 35/500,881, filed on Dec. 30, 2015 (U.S. filing date under 35 U.S.C. 384), and having an international filing date of Dec. 30, 2015, now Pat. No. Des. 806,181.

Foreign Application Priority Data

Dec. 30, 2015 (WO) DM/090 221
(51) **LOC (11) Cl.** **21-01**
(52) **U.S. Cl.**
USPC **D21/484**
(58) **Field of Classification Search**
USPC D21/484, 486, 491, 494-495, 576, 585,
D21/621, 658-659
See application file for complete search history.

References Cited

U.S. PATENT DOCUMENTS

3,005,282 A 10/1961 Christiansen
3,034,254 A 5/1962 Christiansen
3,597,875 A 8/1971 Christiansen
D252,908 S 9/1979 Bayly
D252,909 S 9/1979 Bayly
D252,910 S 9/1979 Bayly
D252,977 S 9/1979 Bayly

OTHER PUBLICATIONS

USPTO's Requirement for Restriction/Election with references, issued in corresponding U.S. Appl. No. 35/500,881, dated Apr. 14, 2017.

Primary Examiner — George D. Kirschbaum
(74) *Attorney, Agent, or Firm* — Day Pitney LLP

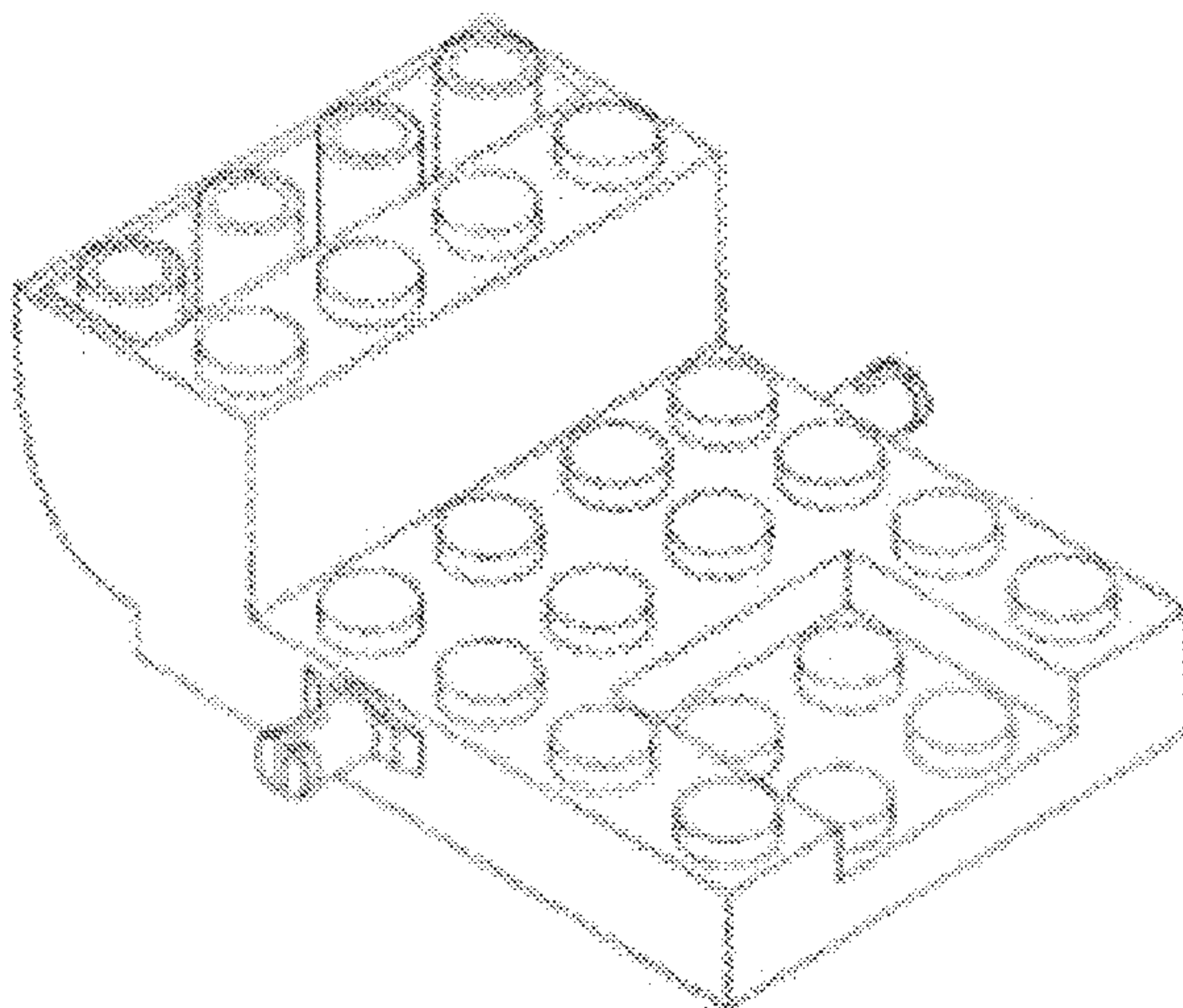
(57) **CLAIM**

The ornamental design for a toy element, as shown and described.

DESCRIPTION

FIG. 1 is a front perspective view of my ornamental design for toy element;
FIG. 2 is a top plan view thereof;
FIG. 3 is a bottom plan view thereof;
FIG. 4 is a right side elevational view thereof;
FIG. 5 is a front elevational view thereof;
FIG. 6 is a left side elevational view thereof; and,
FIG. 7 is a rear elevational view thereof.

1 Claim, 7 Drawing Sheets



(56)

References Cited

U.S. PATENT DOCUMENTS

D394,680	S	*	5/1998	Andersen	D21/495
D395,064	S	*	6/1998	Pagel	D21/484
D395,470	S	*	6/1998	Rahbek	D21/484
6,547,624	B1		4/2003	Bojesen et al.	
6,736,691	B1		5/2004	Bach	
7,708,615	B2		5/2010	Munch	
8,690,631	B2		4/2014	Nag	
8,756,894	B2		6/2014	Swartz et al.	
D715,377	S		10/2014	Cunningham	
D718,823	S		12/2014	Cunningham	
8,905,812	B2		12/2014	Pai-Chen	
9,010,059	B2		4/2015	Lin	
D731,599	S		6/2015	Pilgaard	
D749,680	S		2/2016	Lin	
D771,198	S		11/2016	Ryaa	
D771,199	S		11/2016	Ryaa	
D777,845	S		1/2017	Marcil et al.	
9,539,519	B2		1/2017	Vollers et al.	
2009/0215357	A1		8/2009	Seligman	

* cited by examiner

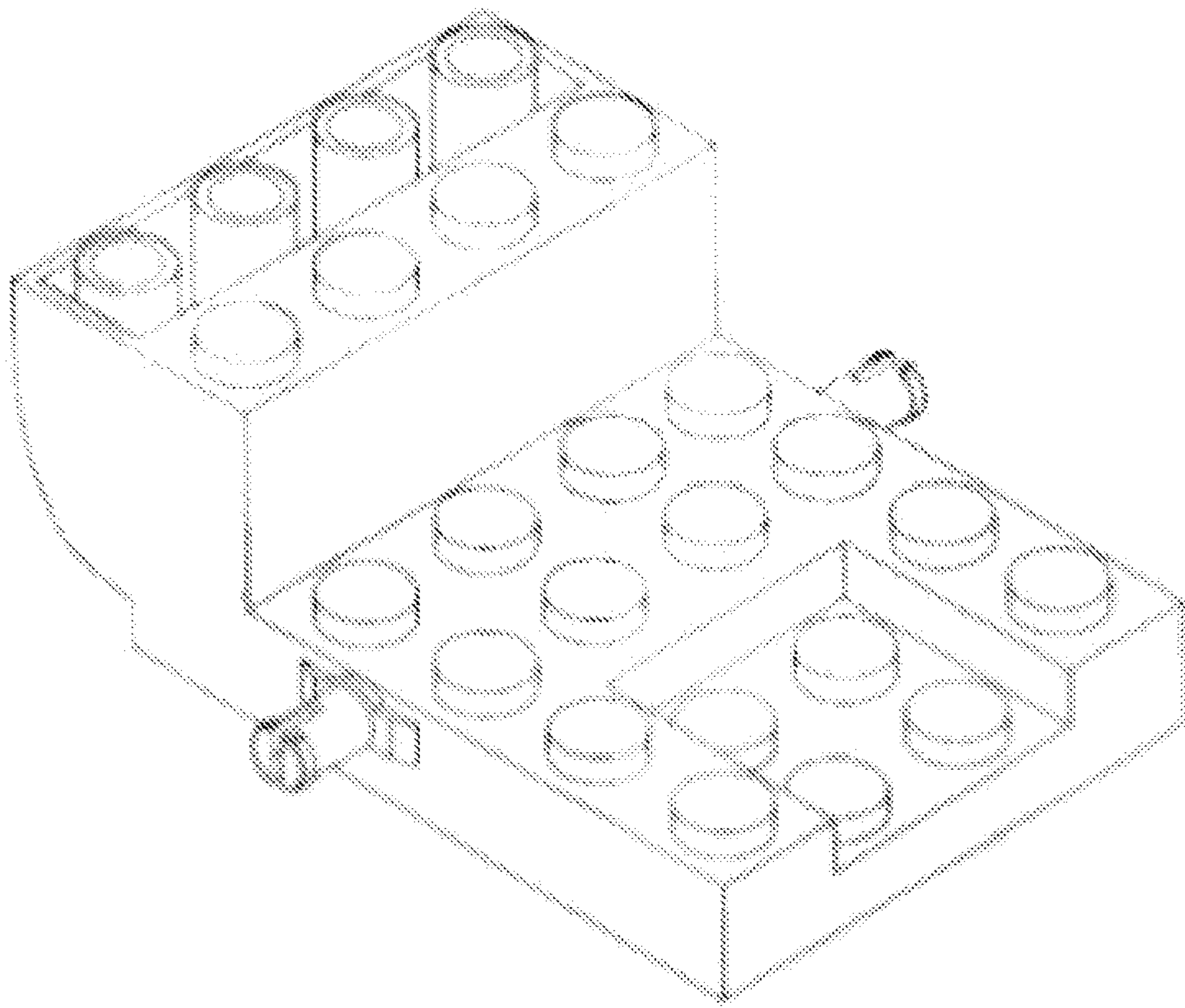


FIG. 1

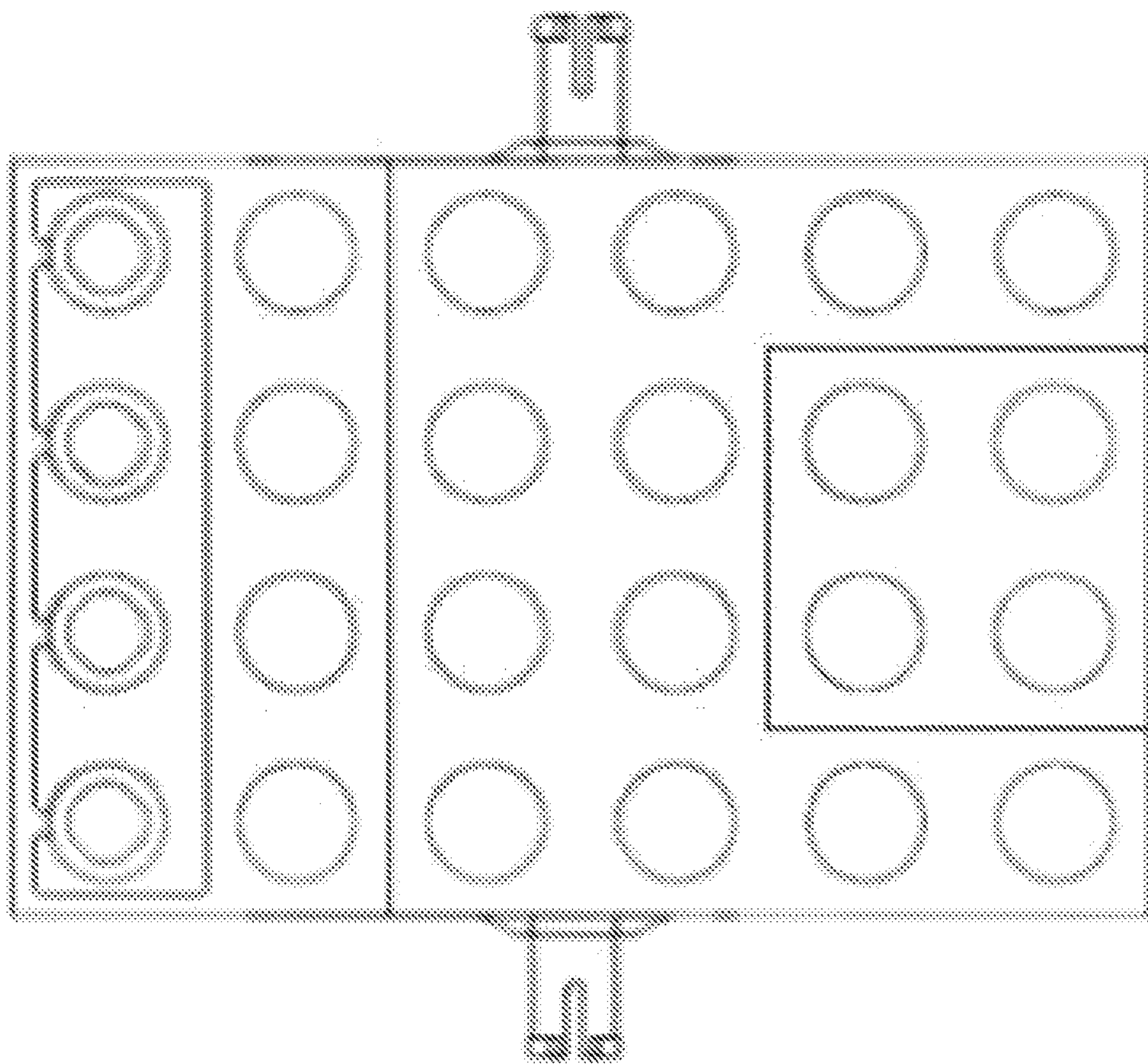


FIG. 2

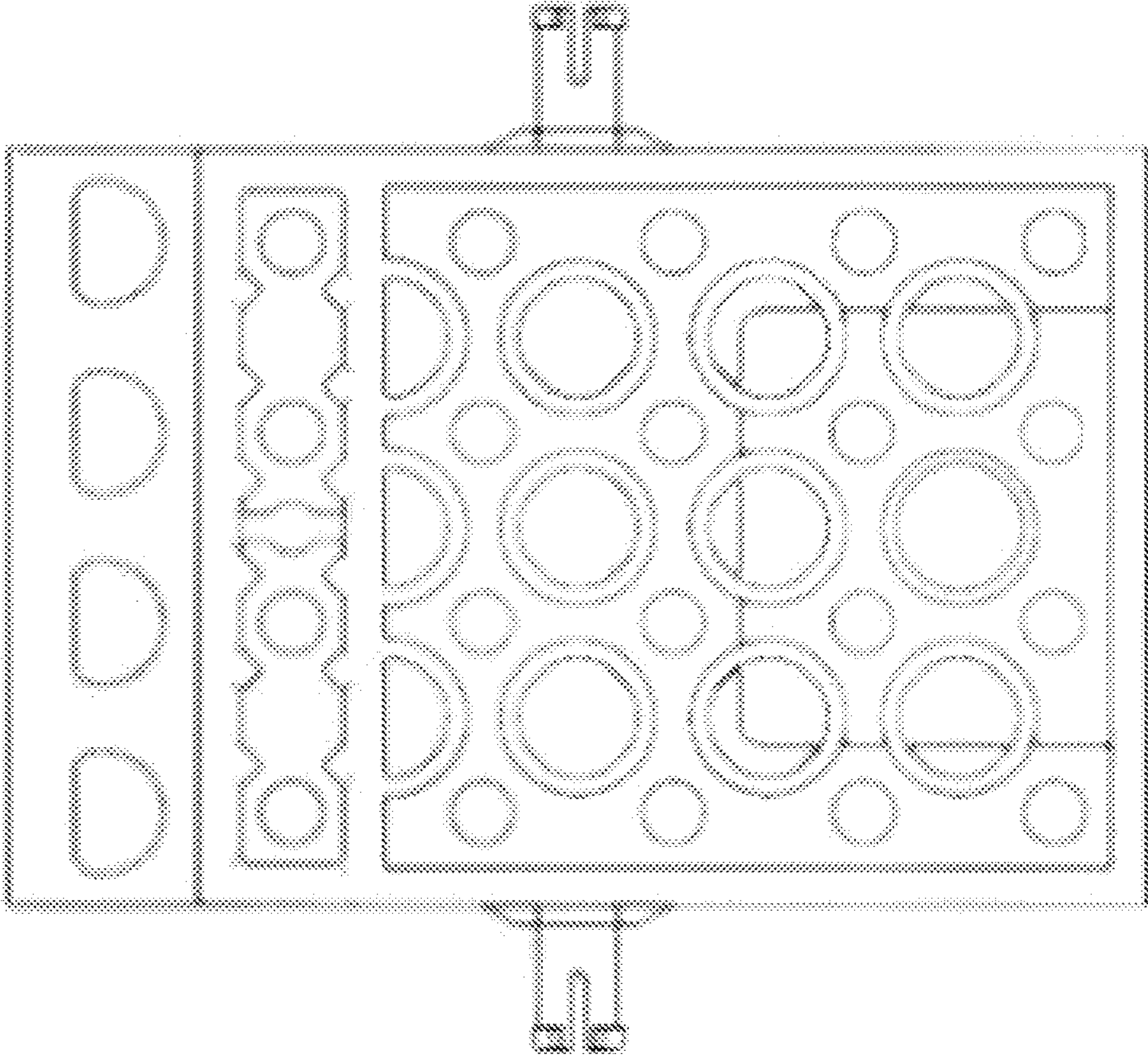


FIG. 3

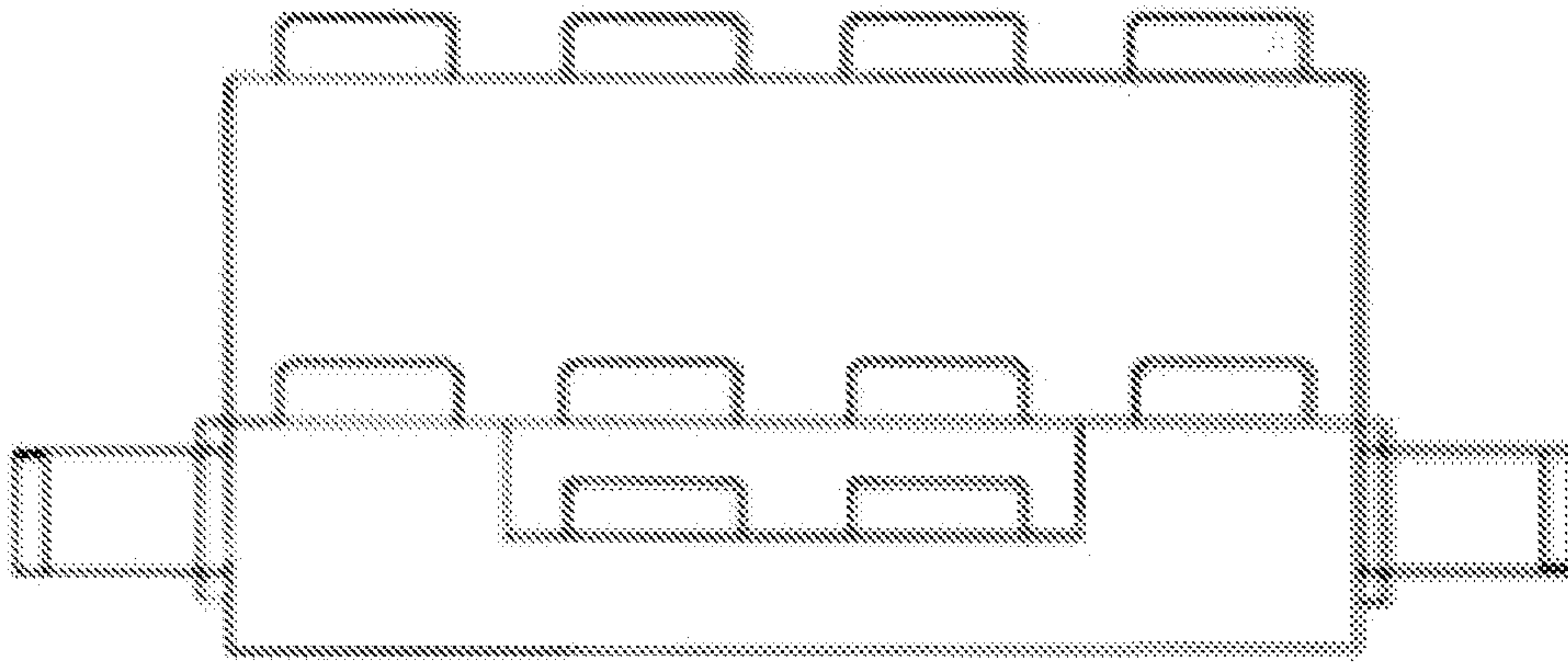


FIG. 4

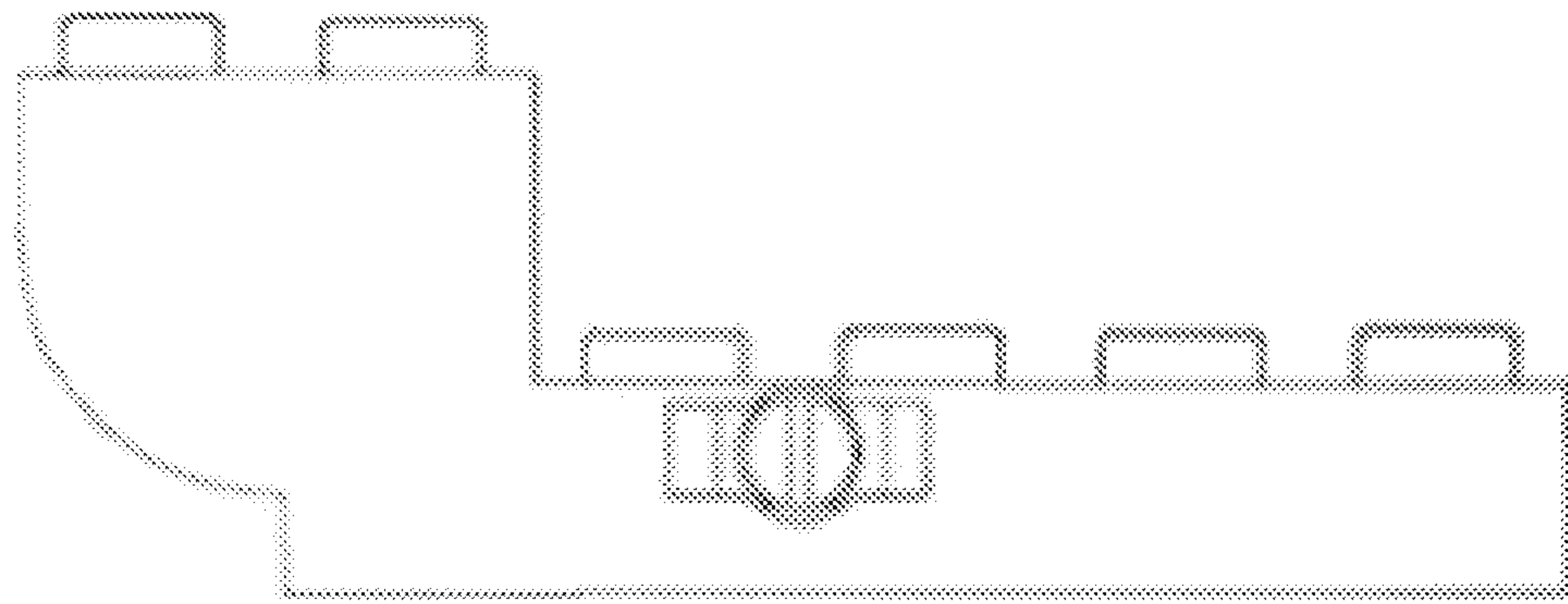


FIG. 5

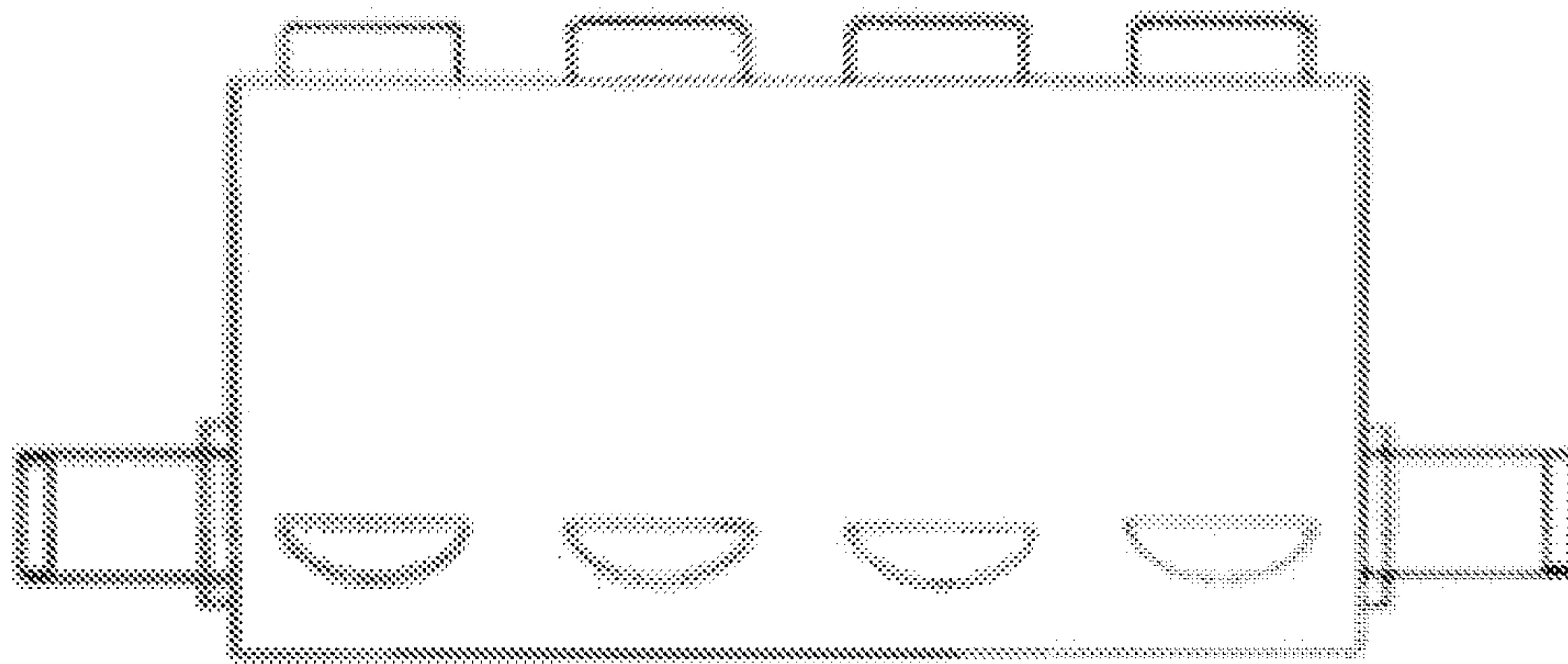


FIG. 6

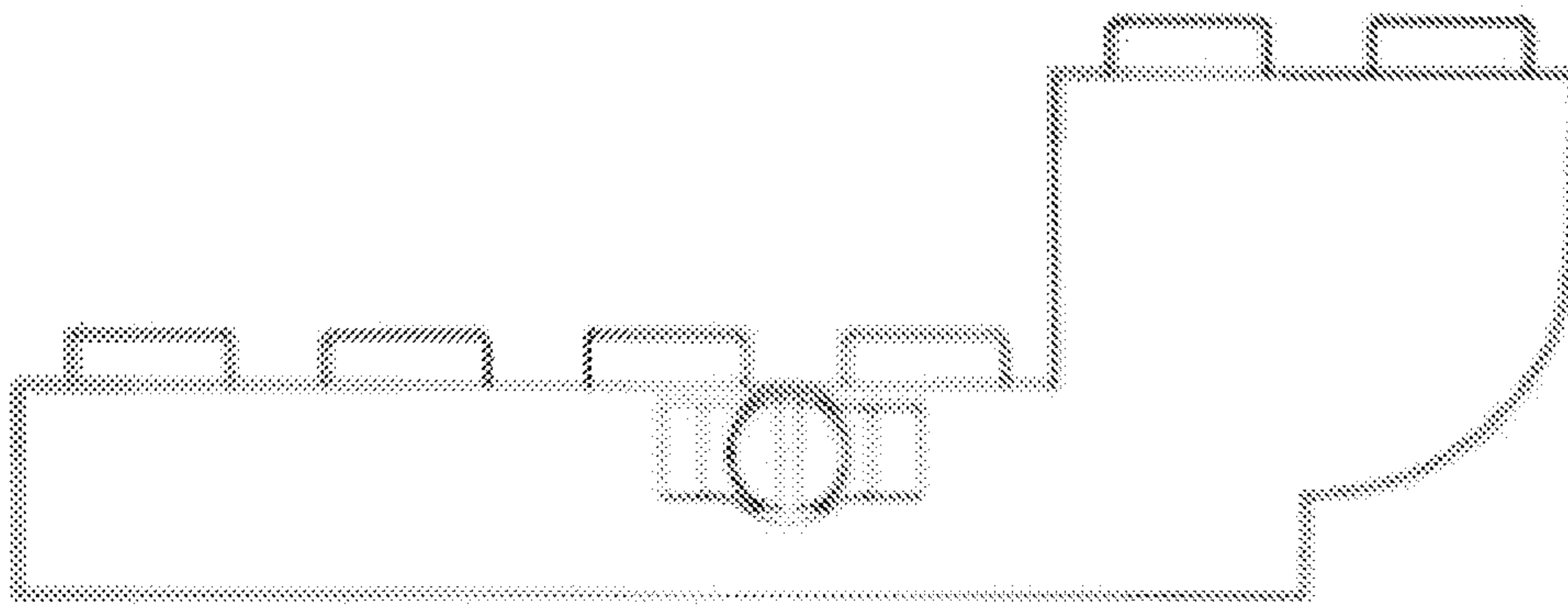


FIG. 7