

US00D845396S

(12) **United States Design Patent**
Horikoshi

(10) **Patent No.:** **US D845,396 S**

(45) **Date of Patent:** **** Apr. 9, 2019**

(54) **SPINNING TOP TOY**

DESCRIPTION

(71) Applicant: **TOMY COMPANY, LTD.**, Tokyo (JP)

(72) Inventor: **Kenji Horikoshi**, Tokyo (JP)

(73) Assignee: **TOMY COMPANY, LTD.**, Tokyo (JP)

(**) Term: **15 Years**

(21) Appl. No.: **29/505,895**

(22) Filed: **Mar. 31, 2016**

(30) **Foreign Application Priority Data**

Dec. 21, 2015 (JP) 2015-028373

(51) **LOC (11) Cl.** **21-01**

(52) **U.S. Cl.**
USPC **D21/460**

(58) **Field of Classification Search**
USPC D21/436, 441, 443, 444, 455, 460-464;
446/236-266

(Continued)

(56) **References Cited**

U.S. PATENT DOCUMENTS

6,746,300 B1 * 6/2004 Matsukawa A63H 1/06
446/256

D608,842 S * 1/2010 Nishimoto D21/460

(Continued)

FOREIGN PATENT DOCUMENTS

CN 3262743 * 11/2002
CN 3262744 * 11/2002

(Continued)

Primary Examiner — Catherine A Tuttle

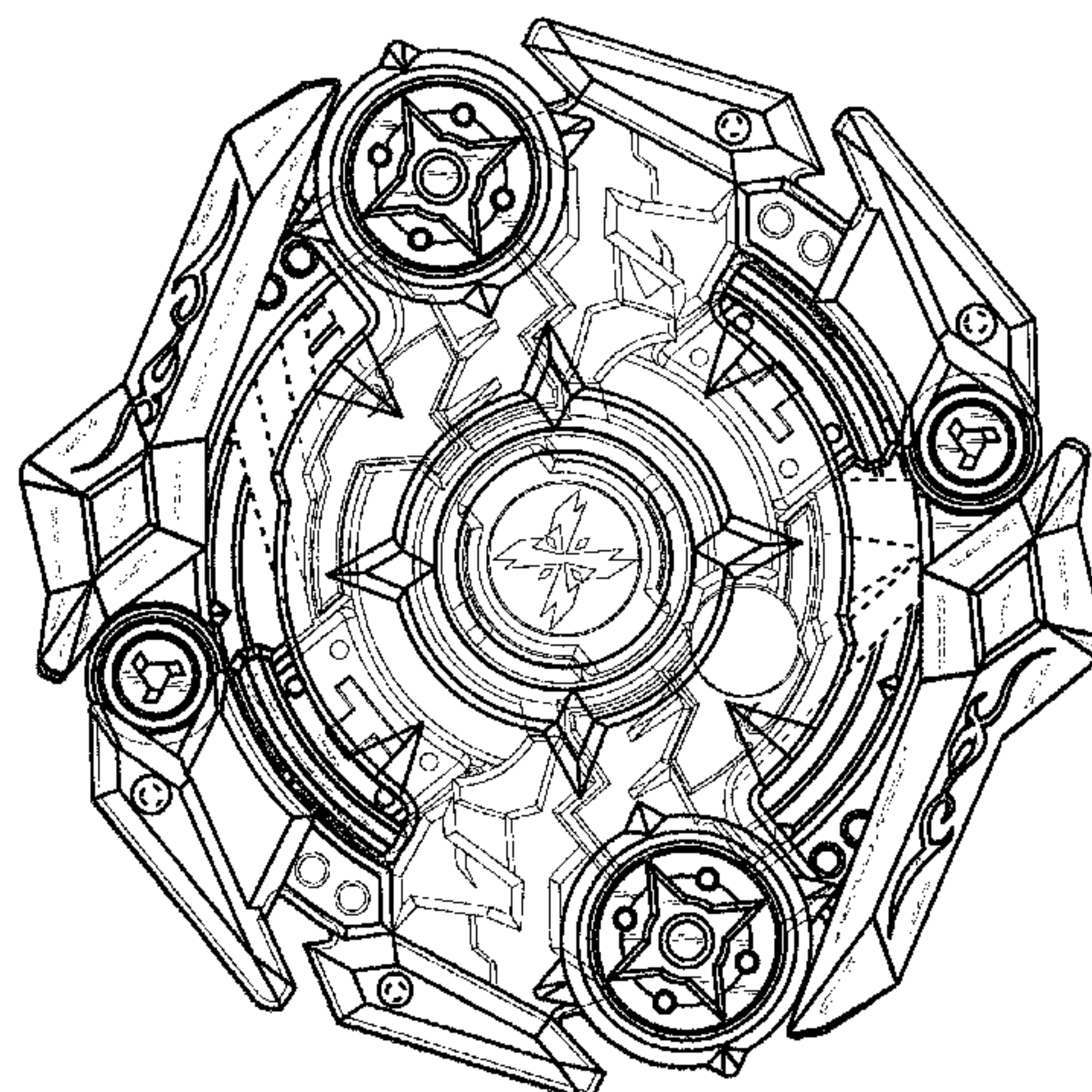
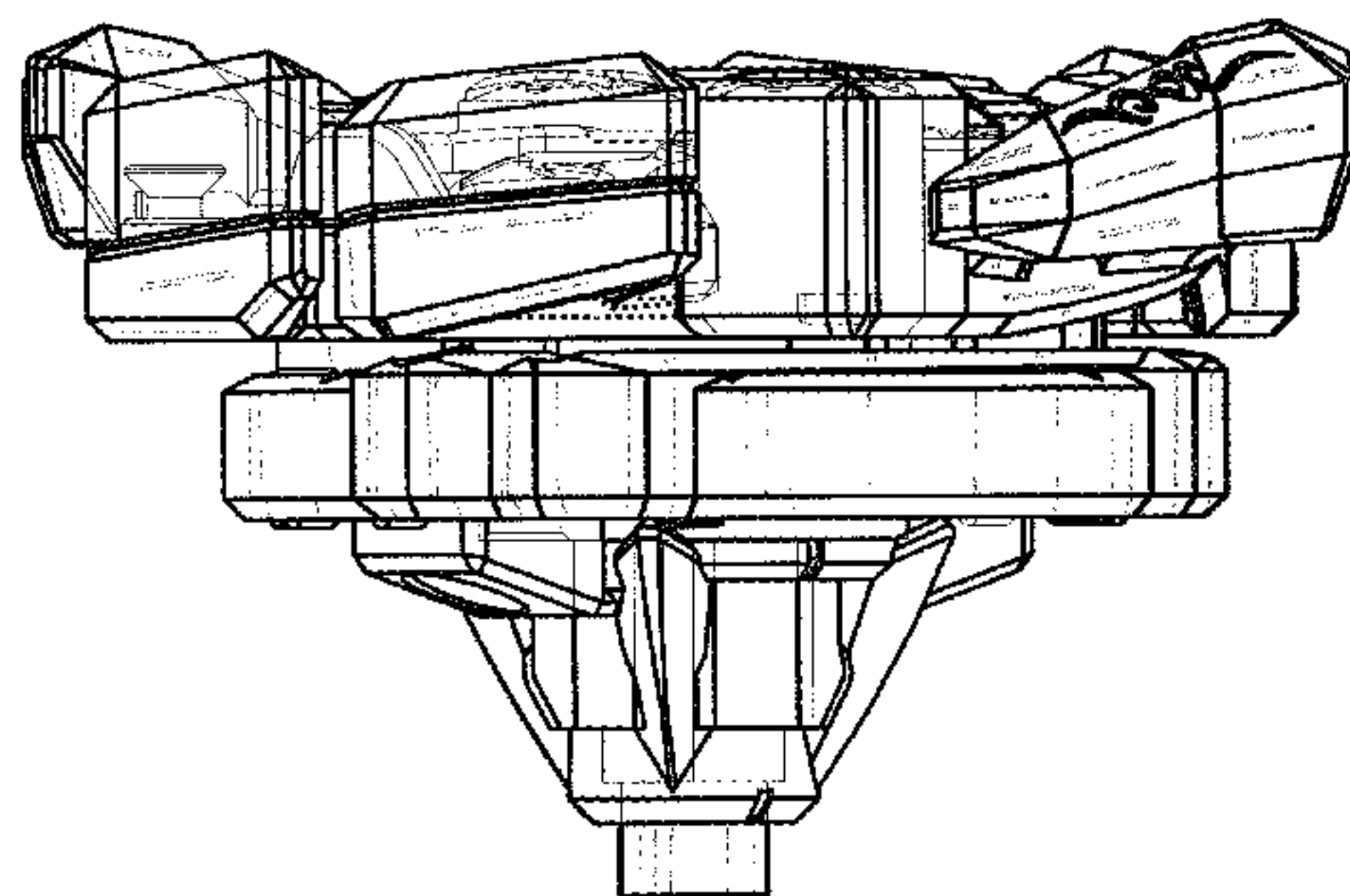
(74) *Attorney, Agent, or Firm* — Staas & Halsey LLP

(57) **CLAIM**

The ornamental design for a spinning top toy, as shown and described.

FIG. 1 is a front view of the spinning top toy showing our design;
FIG. 2 is a left side view thereof;
FIG. 3 is a rear view thereof;
FIG. 4 is right side view thereof;
FIG. 5 is a top view thereof;
FIG. 6 is a bottom view thereof;
FIG. 7 is a perspective view thereof;
FIG. 8 is a front elevational view of the transparent portion of the design shown in isolation for clarity of disclosure;
FIG. 9 is a top plan view of the top surface of the transparent portion shown in isolation for clarity of disclosure;
FIG. 10 is a front view thereof corresponding to FIG. 1 but showing contour shading to the exterior parts and with the interior parts omitted for clarity of disclosure;
FIG. 11 is a left side view thereof corresponding to FIG. 2 but showing contour shading to the exterior parts and with the interior parts omitted for clarity of disclosure;
FIG. 12 is rear view thereof corresponding to FIG. 3 but showing contour shading to the exterior parts and with the interior parts omitted for clarity of disclosure;
FIG. 13 is a right side view thereof corresponding to FIG. 4 but showing contour shading to the exterior parts and with the interior parts omitted for clarity of disclosure;
FIG. 14 is a top view thereof corresponding to FIG. 5 but showing contour shading to the exterior parts and with the interior parts omitted for clarity of disclosure;
FIG. 15 is a bottom view thereof corresponding to FIG. 6 but showing contour shading to the exterior parts and with the interior parts omitted for clarity of disclosure;
FIG. 16 is a perspective view corresponding to FIG. 7, but showing contour shading to the exterior parts and with the interior parts omitted for clarity of disclosure;
FIG. 17 is front elevational view corresponding to FIG. 8, but showing contour shading to the exterior parts and with the interior parts omitted for clarity of disclosure; and,
FIG. 18 is a top plan view corresponding to FIG. 9, but showing contour shading to the exterior parts.
The portions of the spinning top toy shown in broken lines form no part of the claimed design.

1 Claim, 18 Drawing Sheets



(58) **Field of Classification Search**

CPC A63H 1/00–1/32; A63F 9/16
 See application file for complete search history.

(56) **References Cited**

U.S. PATENT DOCUMENTS

D629,469 S * 12/2010 Nishimoto D21/460
 D629,847 S * 12/2010 Ujita D21/460
 D629,848 S * 12/2010 Ujita D21/460
 D639,348 S * 6/2011 Ujita D21/460
 D639,869 S * 6/2011 Nishimoto D21/460
 D646,729 S * 10/2011 Ujita D21/460
 D660,918 S * 5/2012 Ujita D21/460
 D666,252 S * 8/2012 Ujita D21/460
 D666,253 S * 8/2012 Ujita D21/460
 9,737,821 B1 * 8/2017 Horikoshi A63H 1/18
 D834,101 S * 11/2018 Horikoshi D21/460
 D834,102 S * 11/2018 Muraki D21/460
 2009/0253344 A1 * 10/2009 Ujita A63H 1/02
 446/256
 2015/0017872 A1 * 1/2015 Choi A63H 1/02
 446/259

FOREIGN PATENT DOCUMENTS

CN 3584728 * 11/2006
 CN 300687773 * 9/2007
 CN 300819268 * 8/2008
 CN 300846669 * 11/2008
 CN 302937932 * 9/2014
 CN 303533299 * 12/2015
 CN 303533300 * 12/2015
 JP D1549783 * 5/2016
 WO WO-2010151017 A2 * 12/2010 A63H 1/02

* cited by examiner

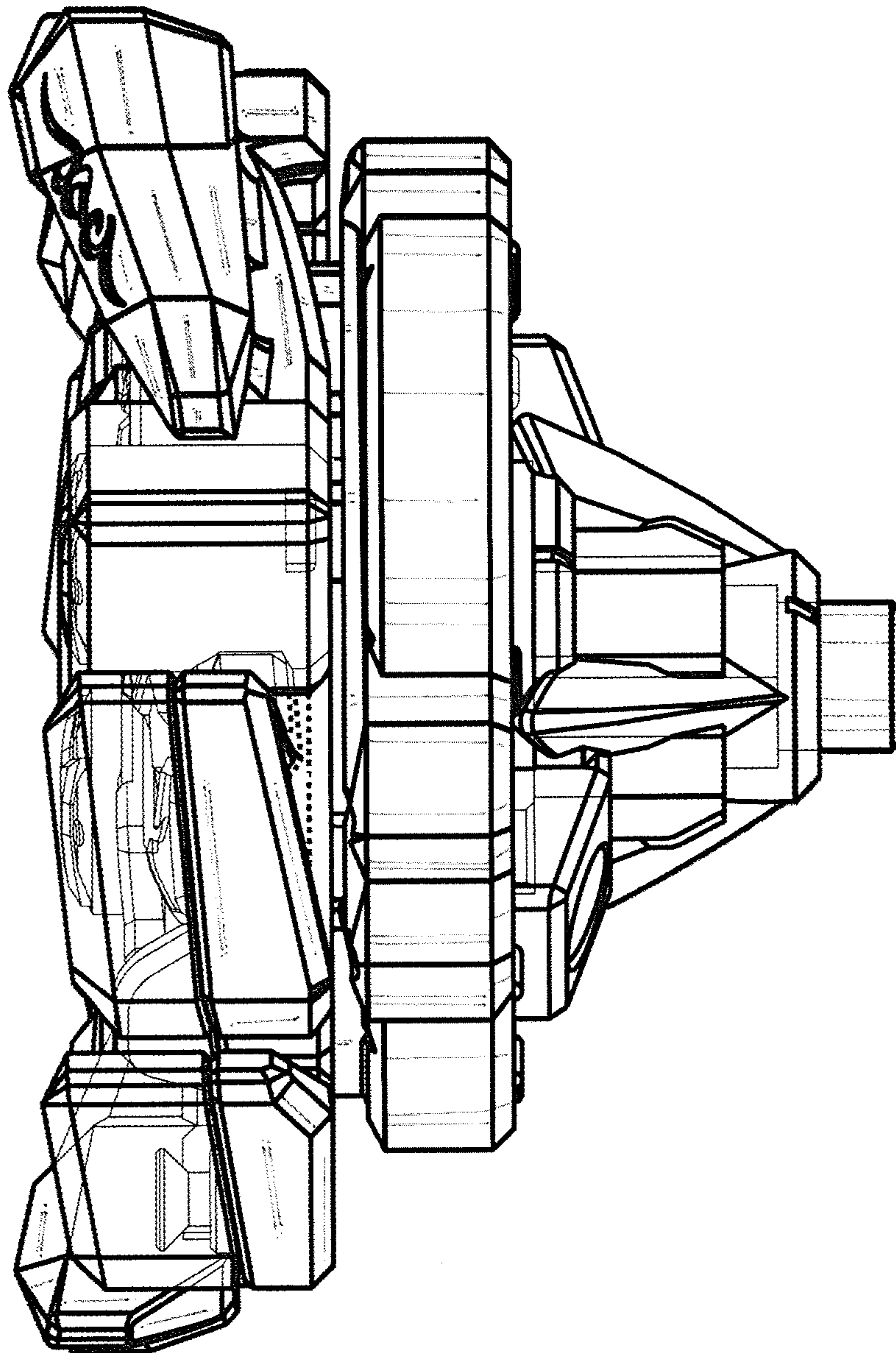


FIG. 1

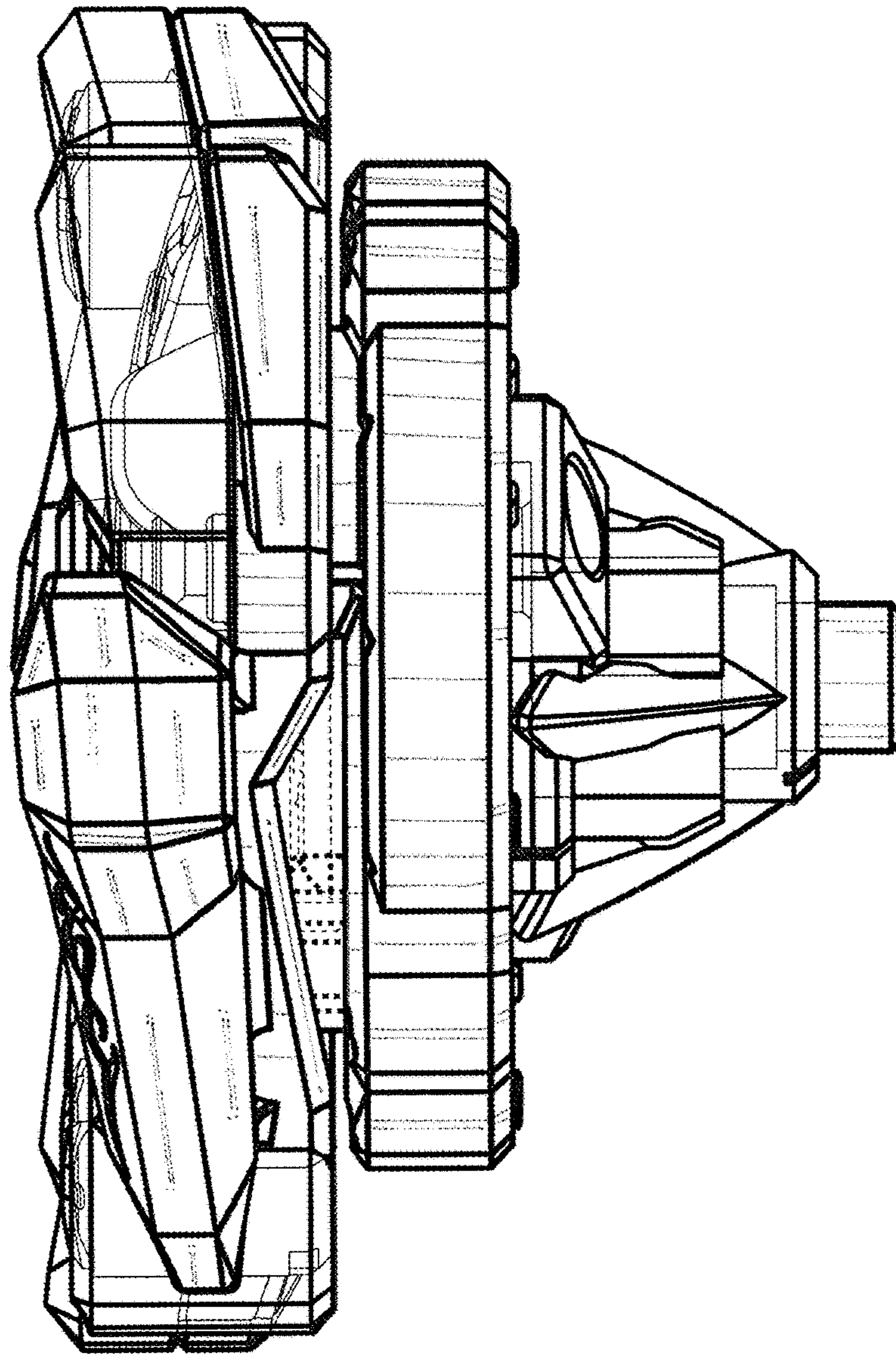


FIG. 2

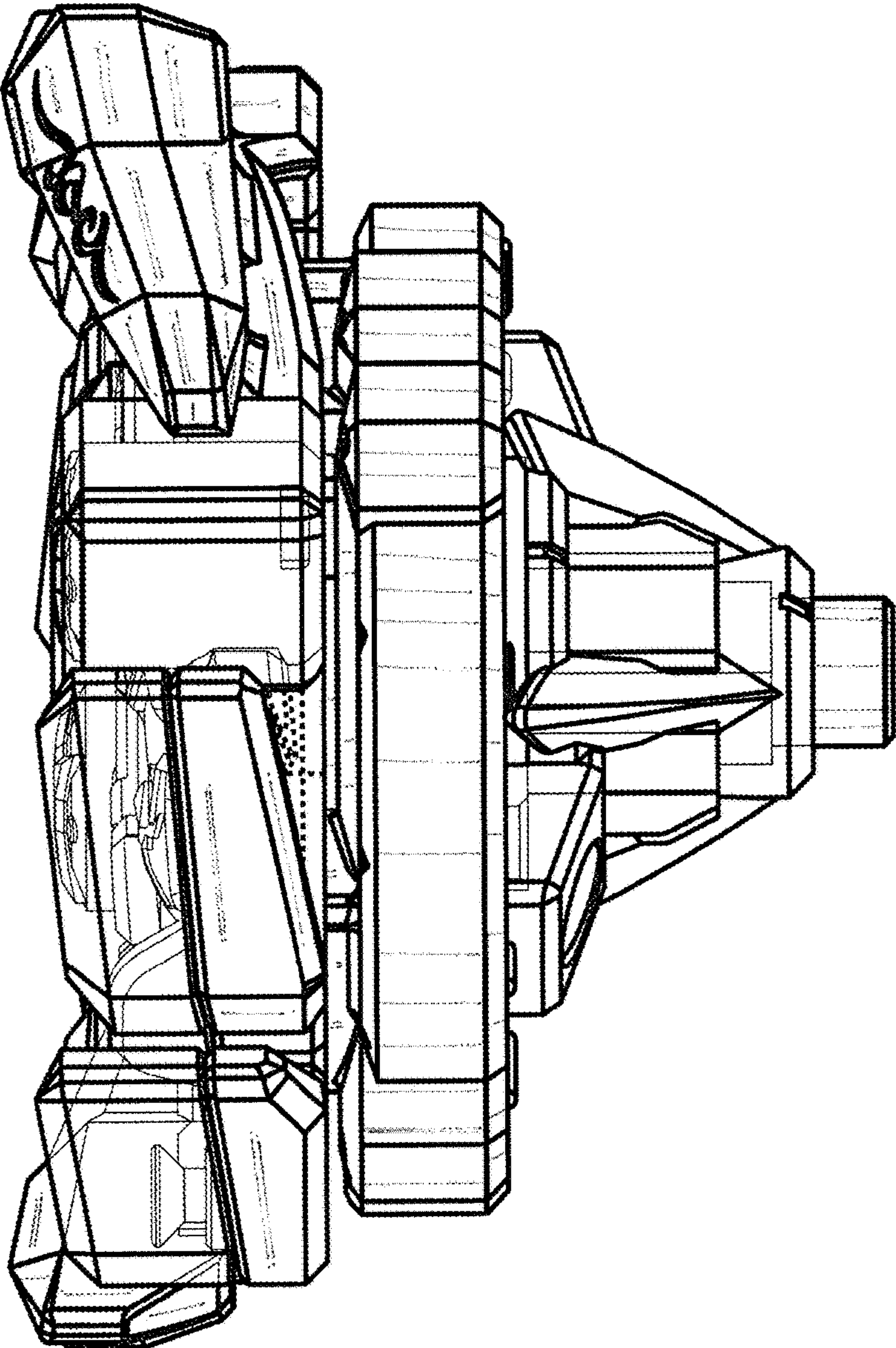


FIG. 3

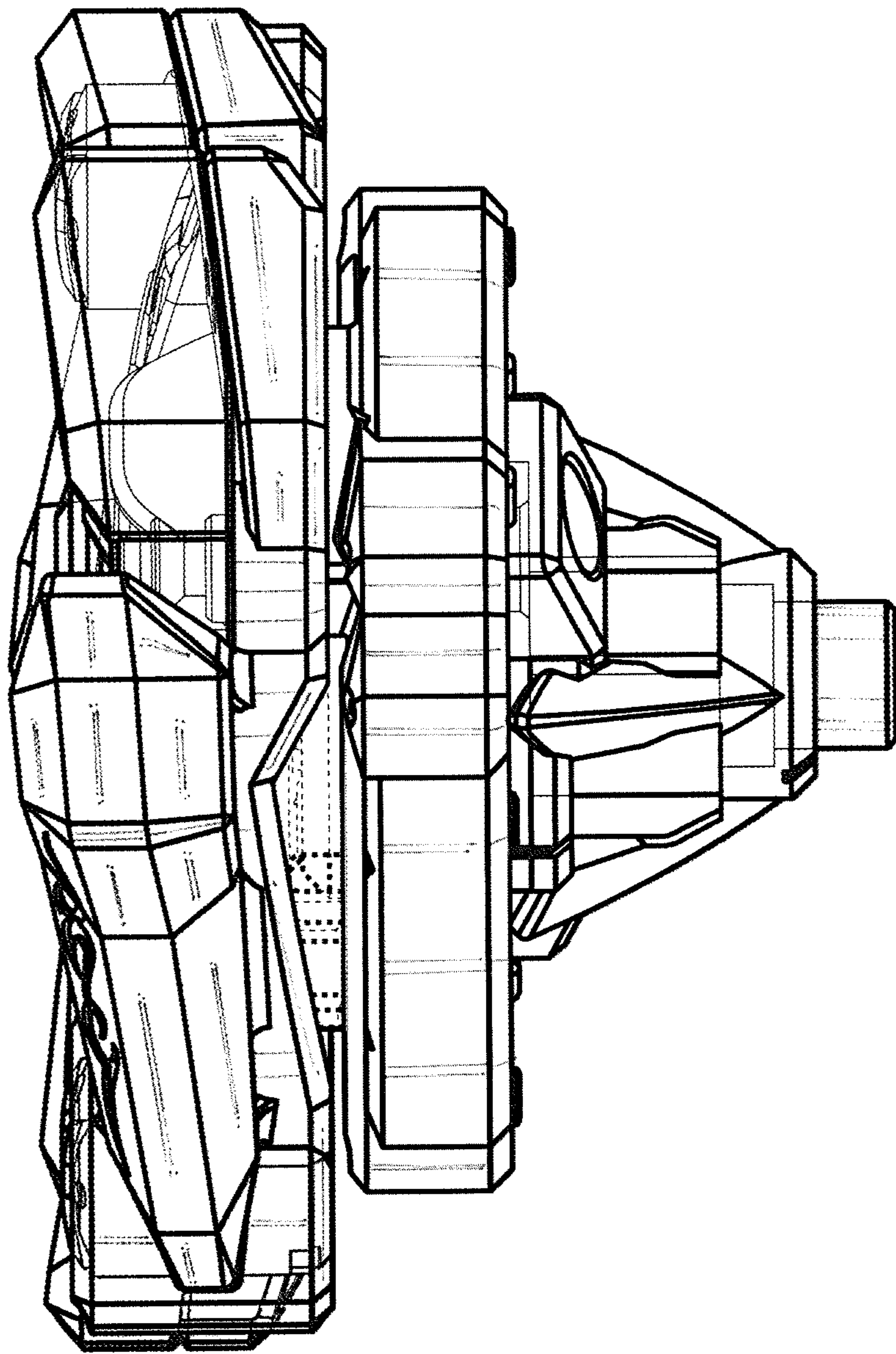


FIG. 4

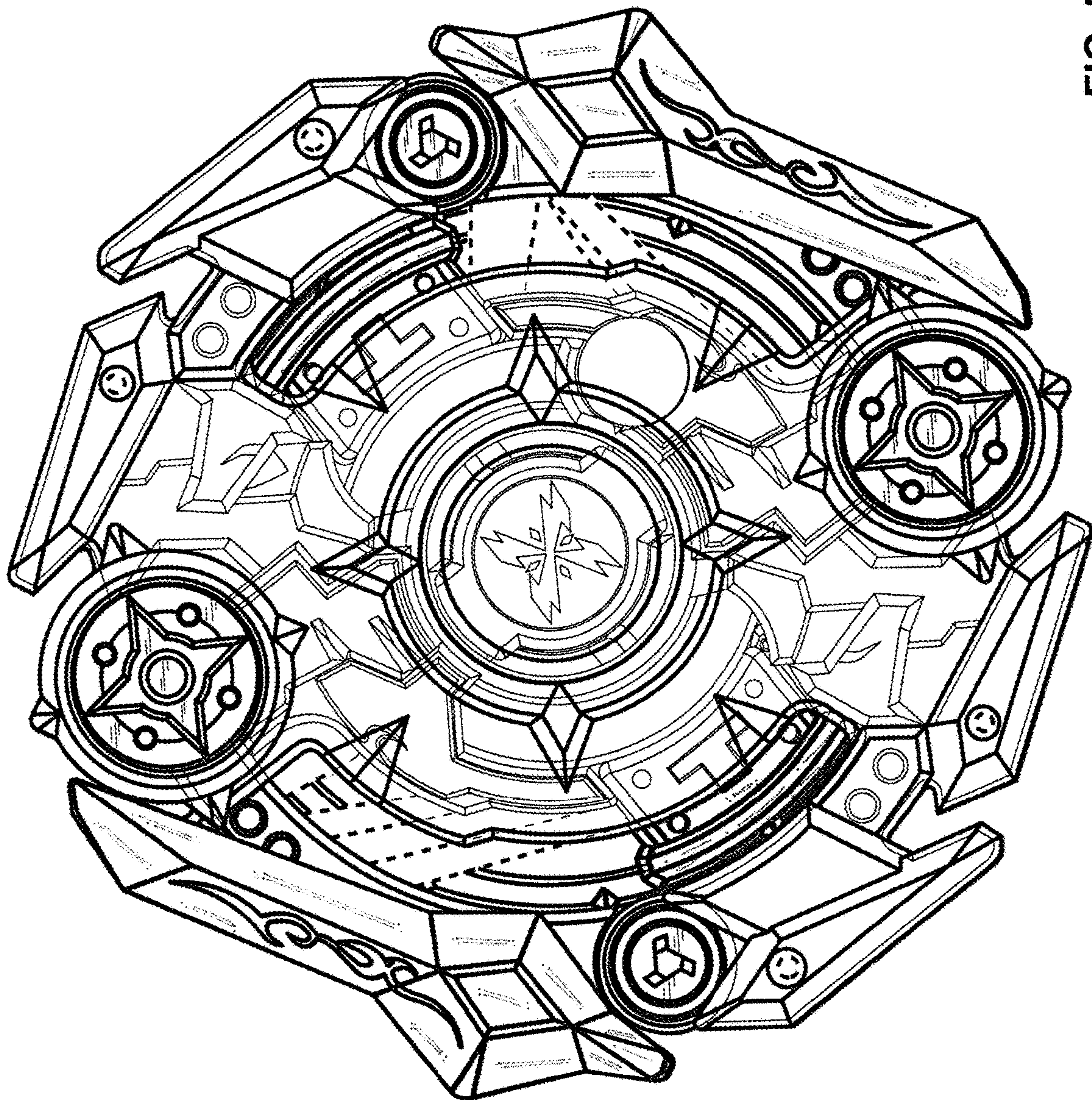


FIG. 5

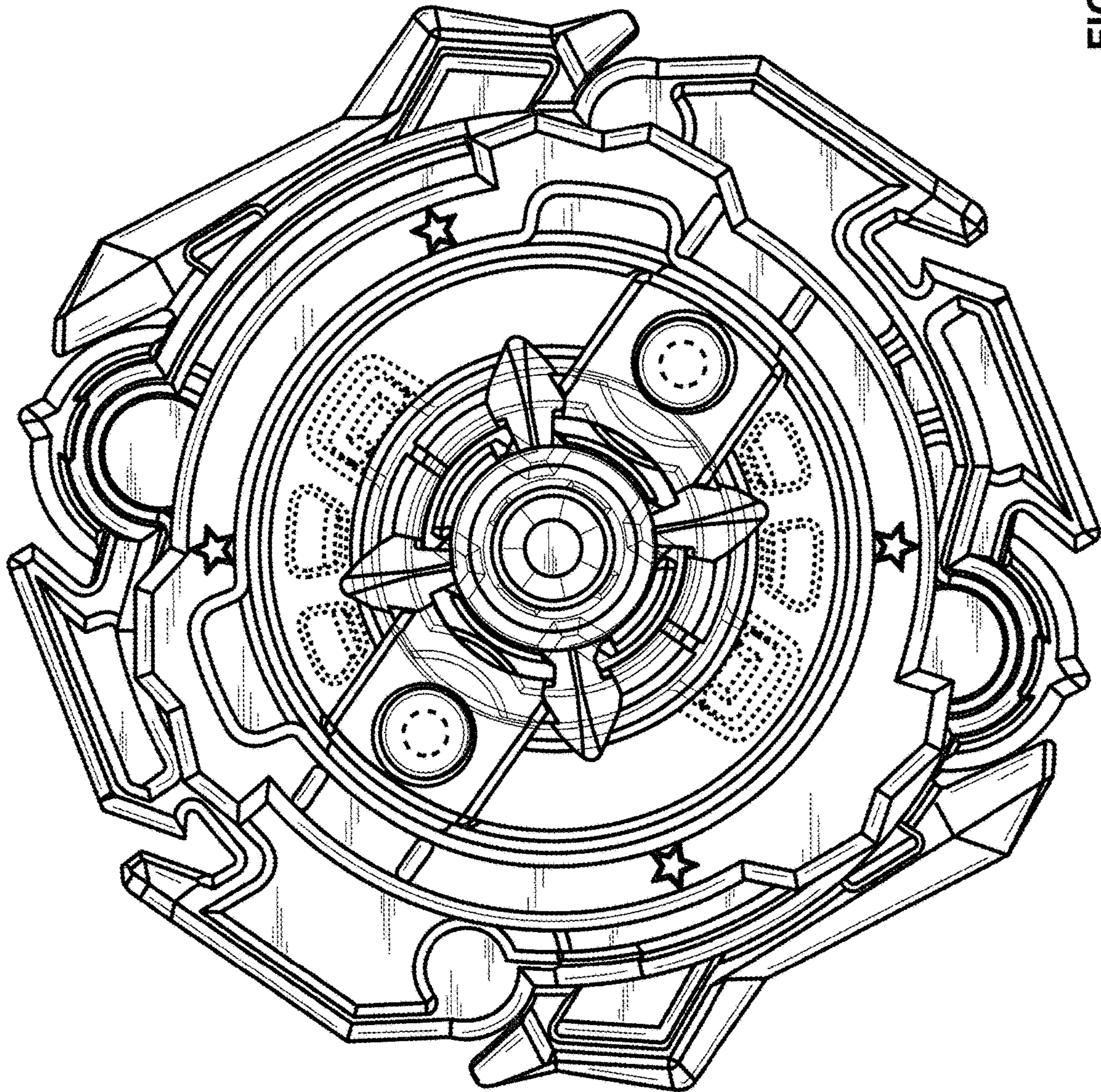


FIG. 6

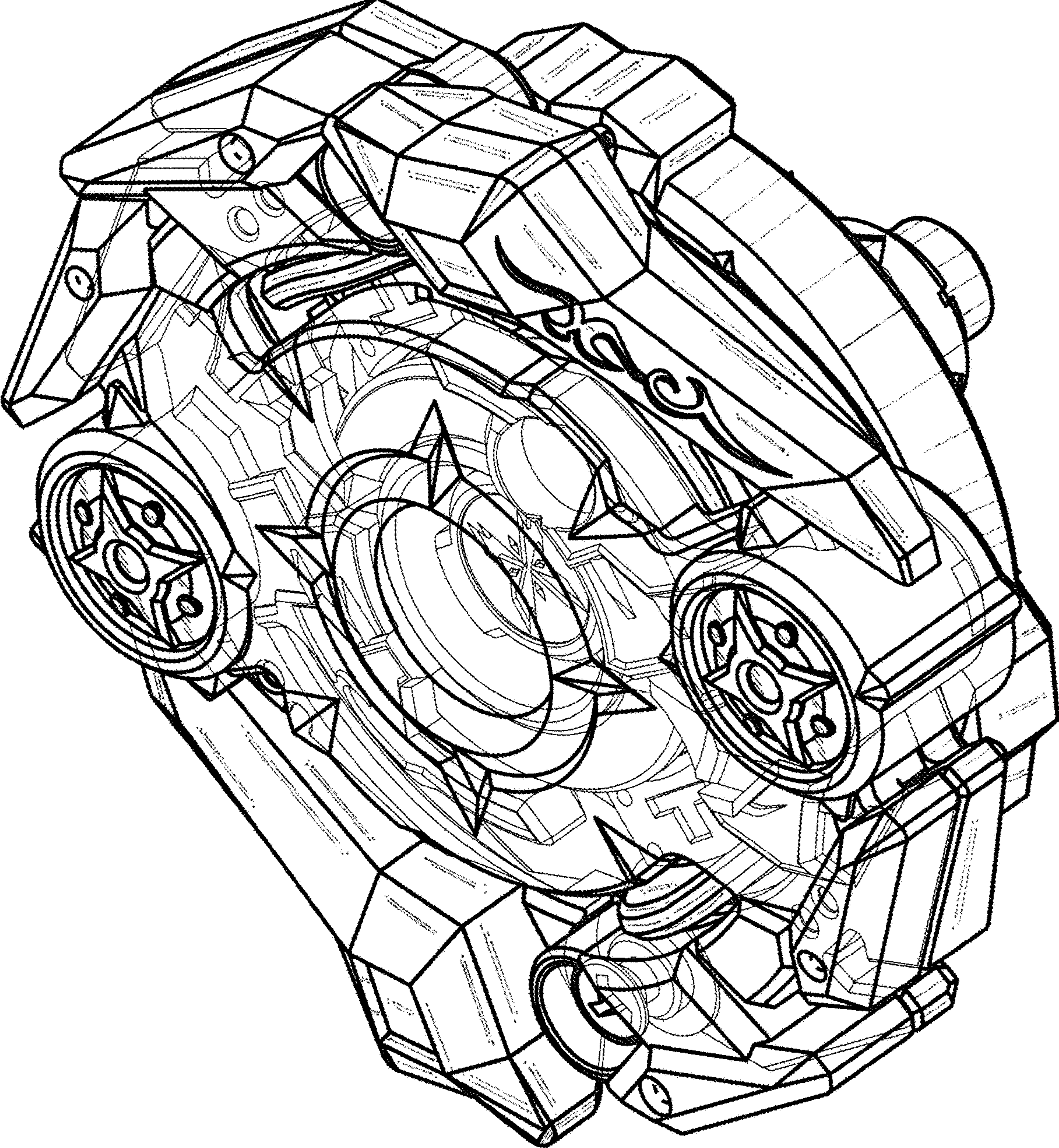


FIG. 7

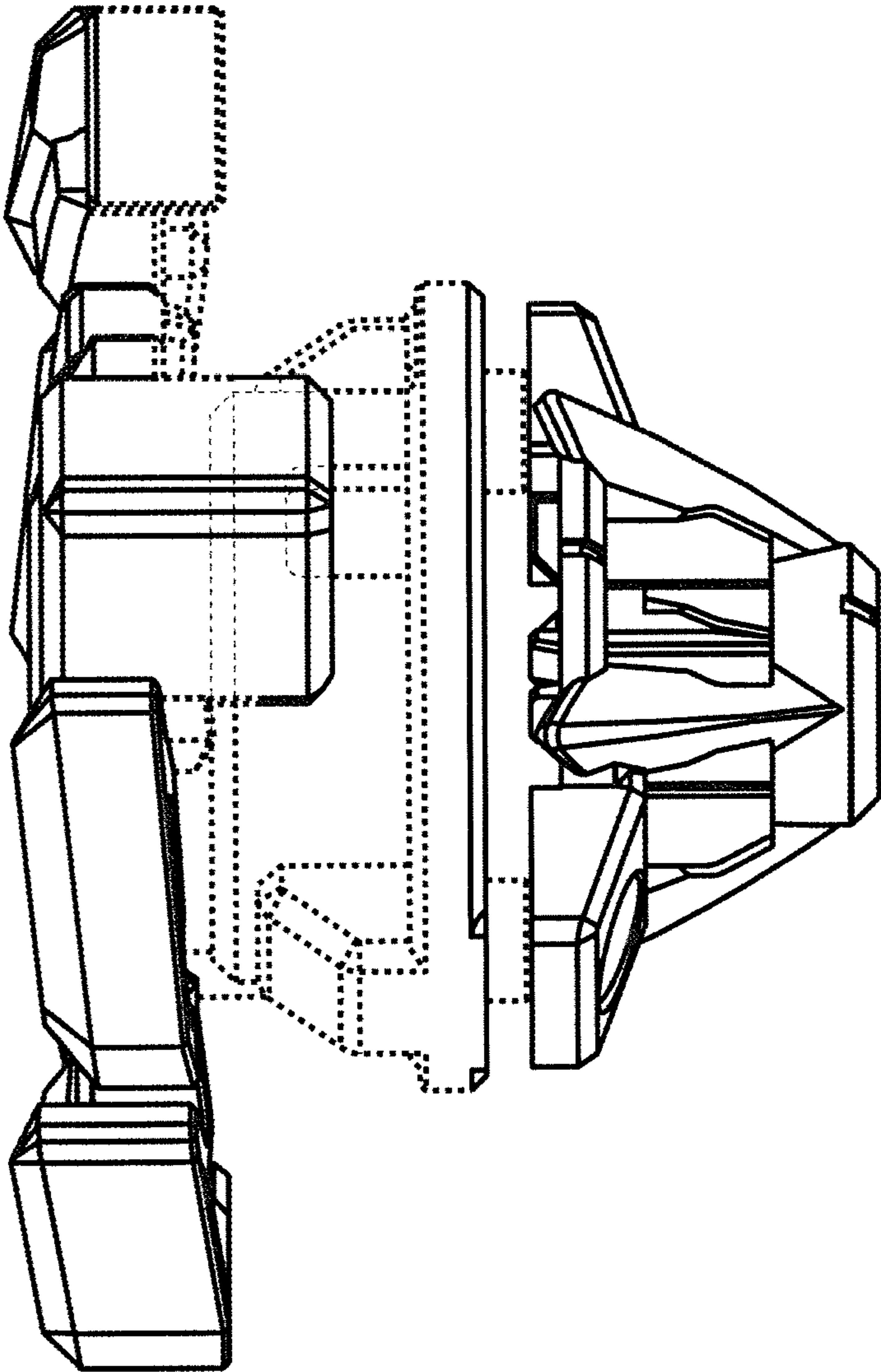


FIG. 8

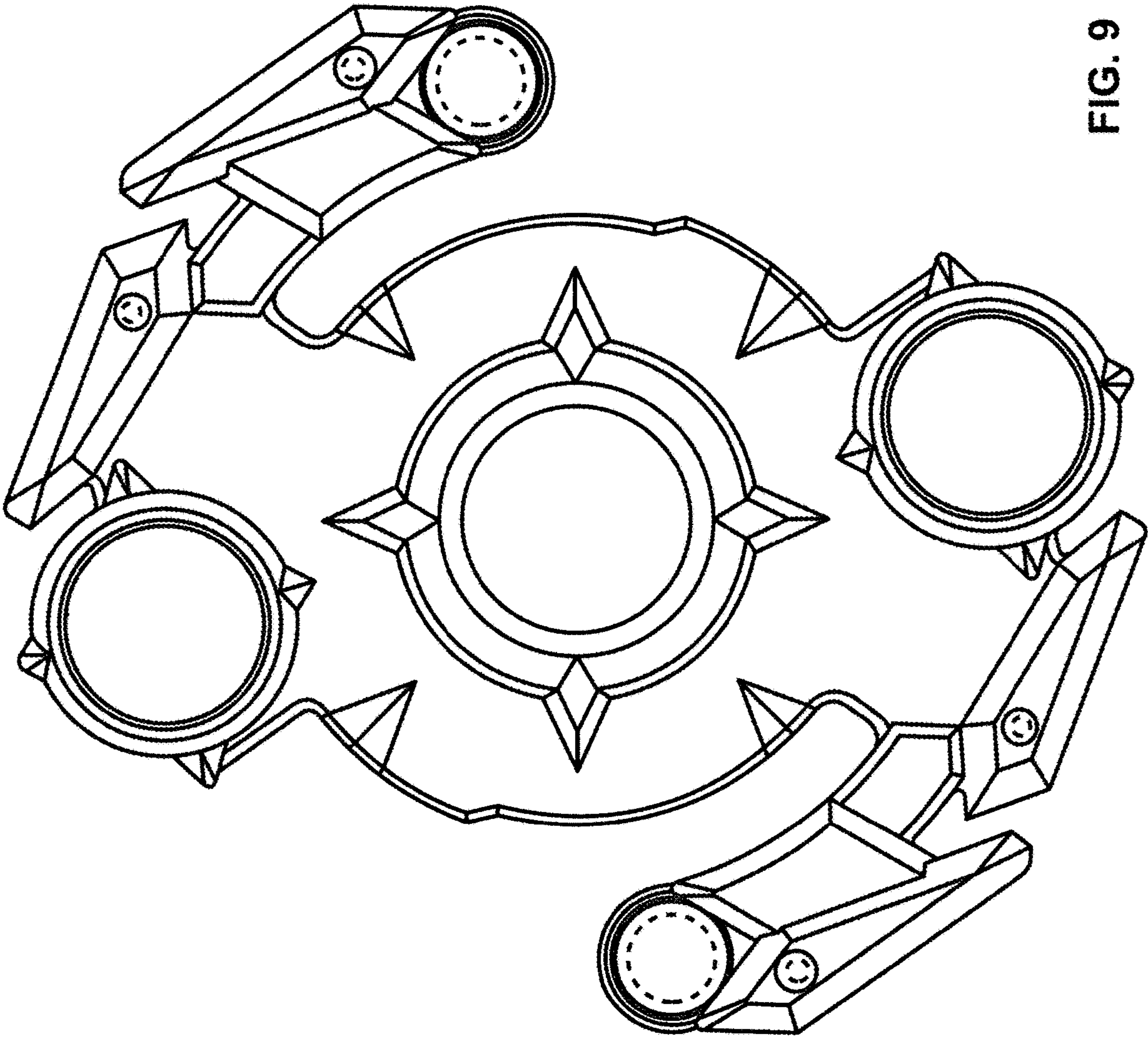


FIG. 9

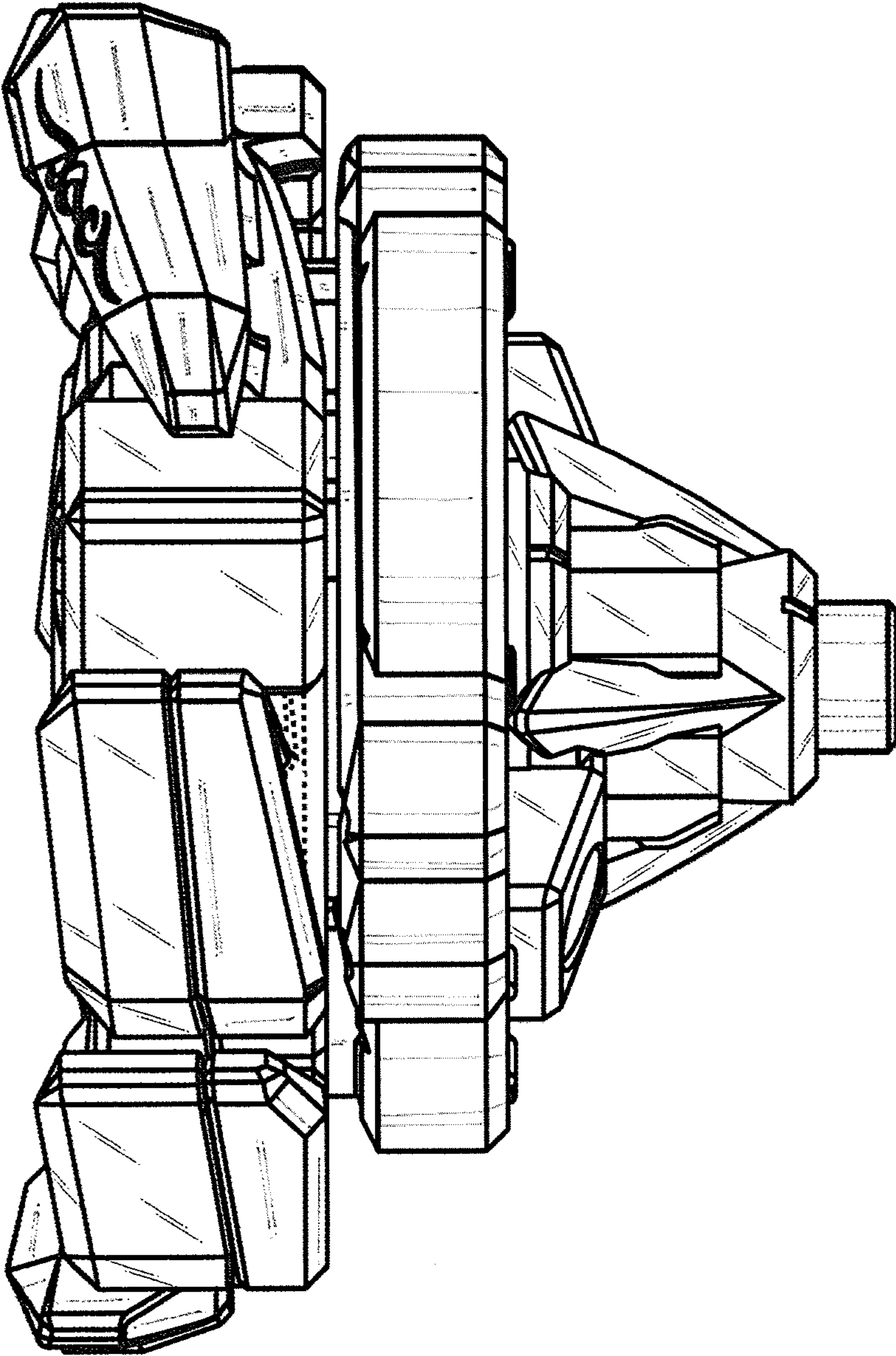


FIG. 10

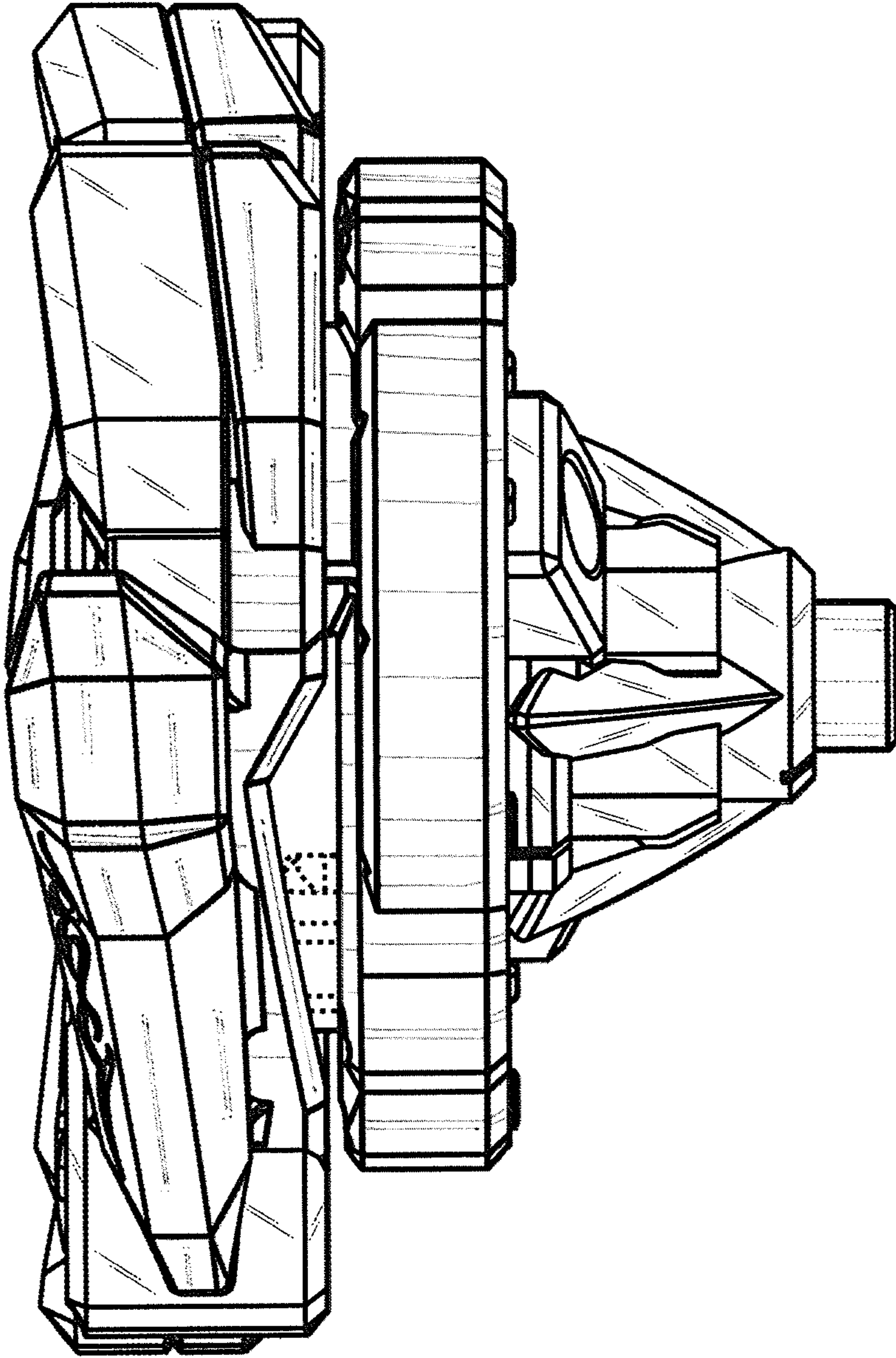


FIG. 11

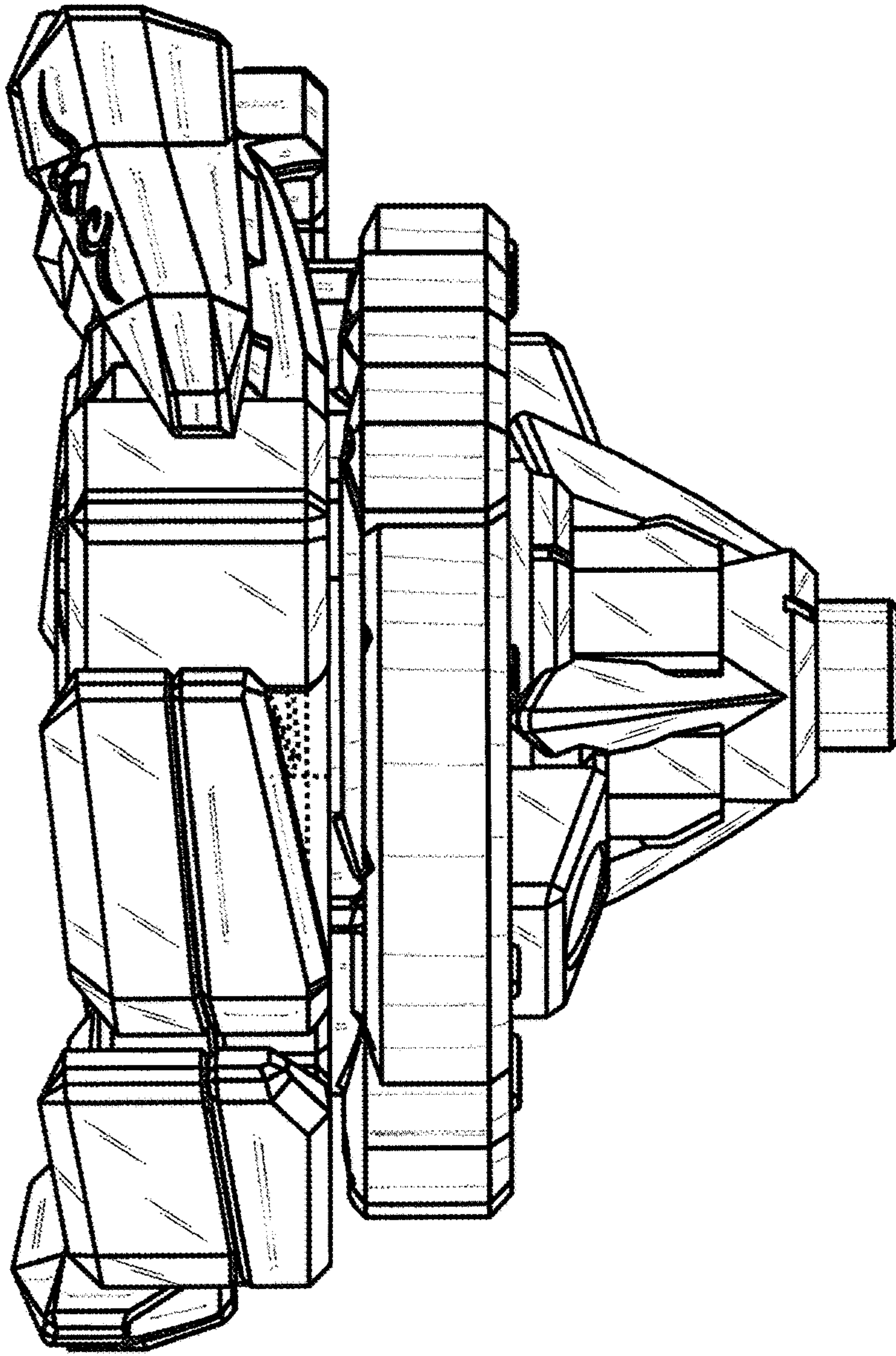


FIG. 12

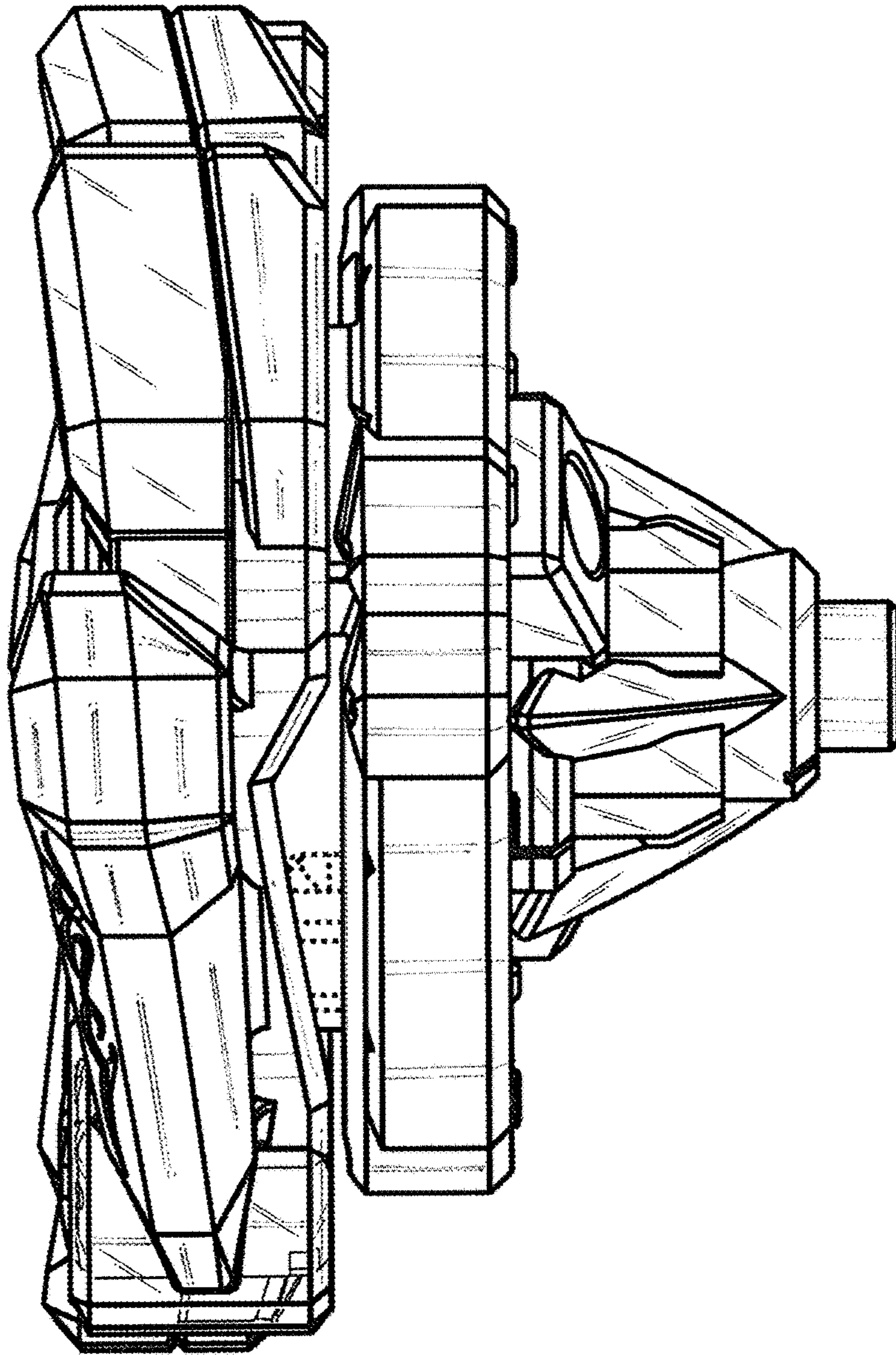


FIG. 13

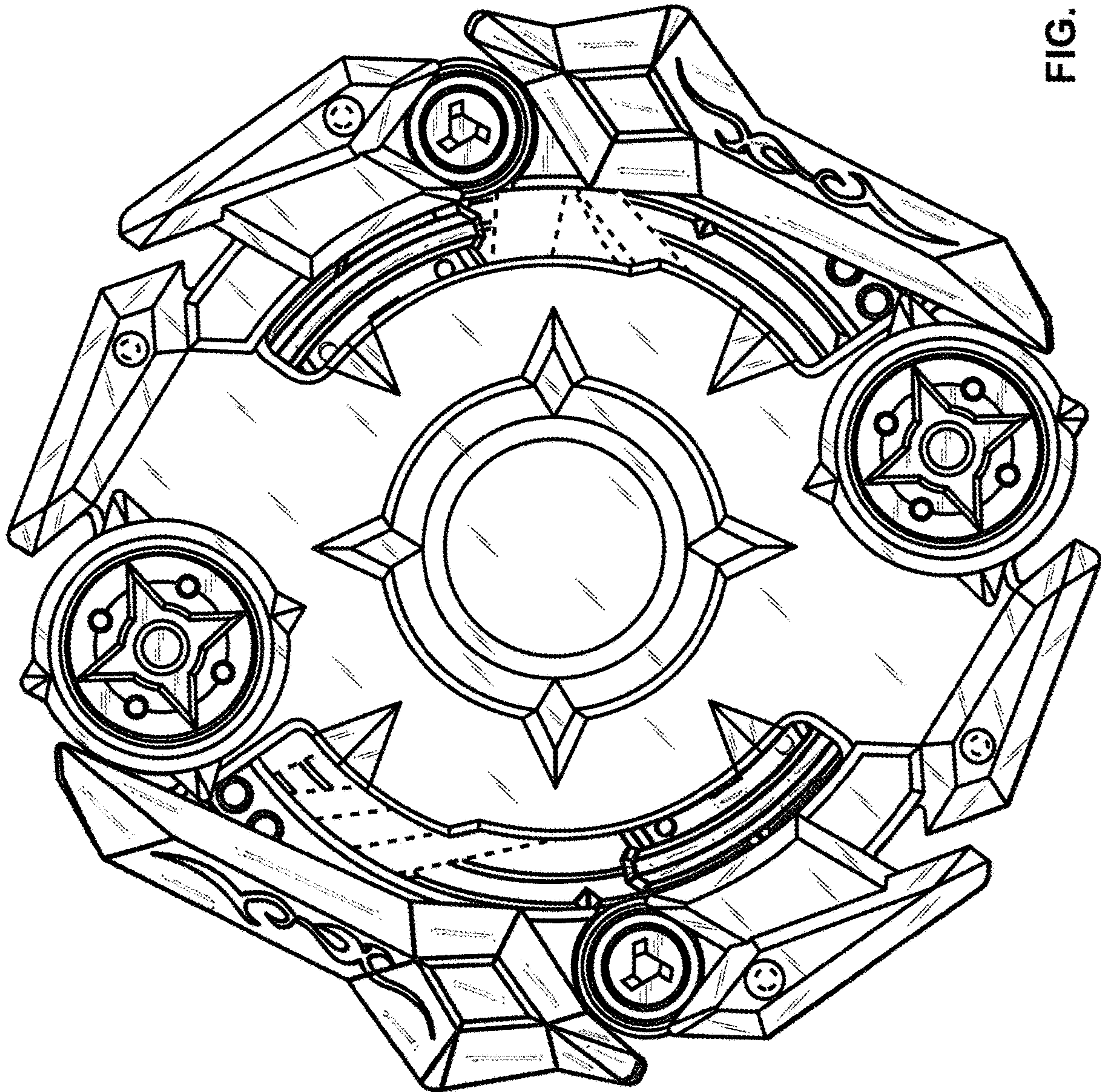


FIG. 14

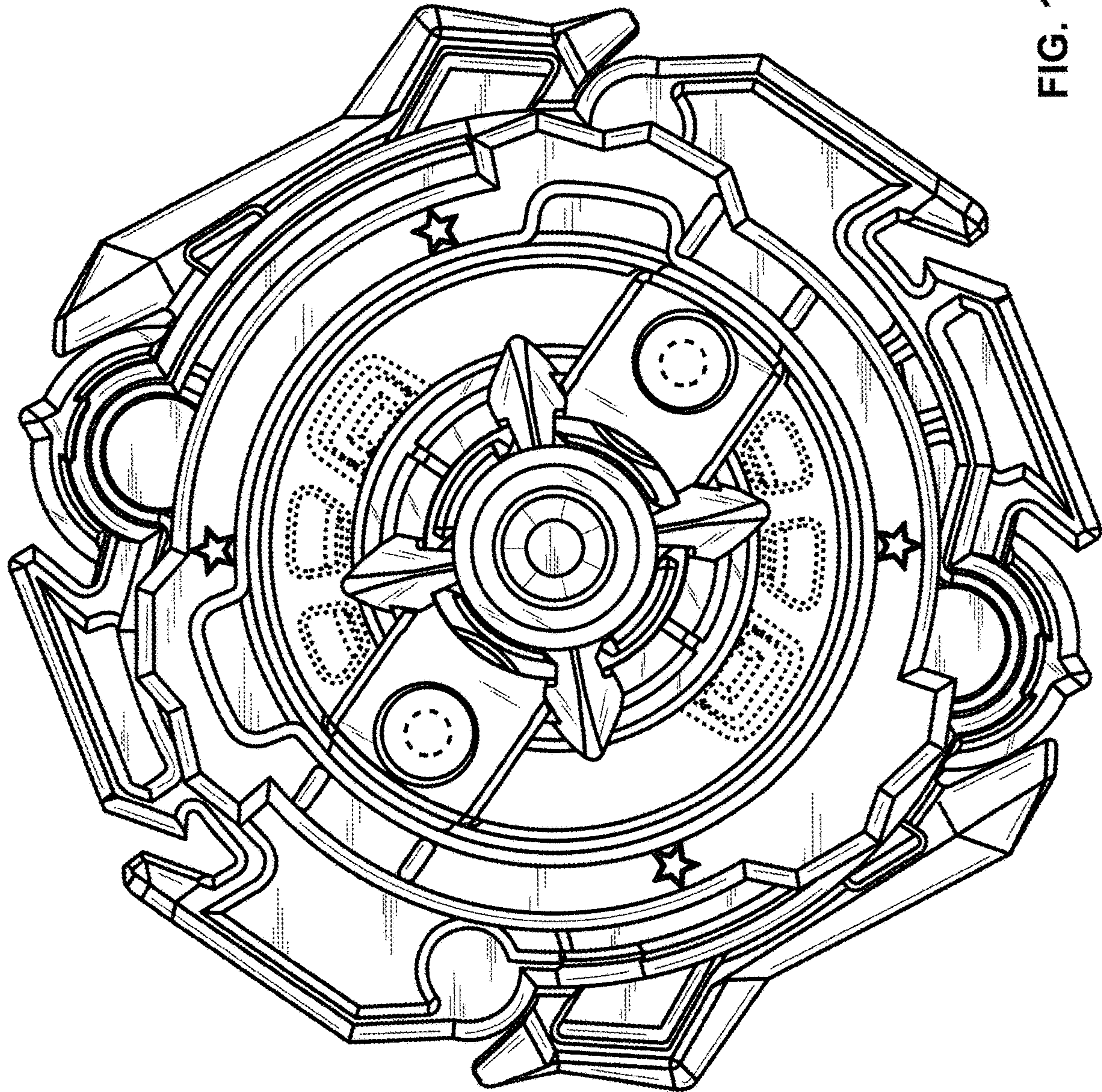


FIG. 15

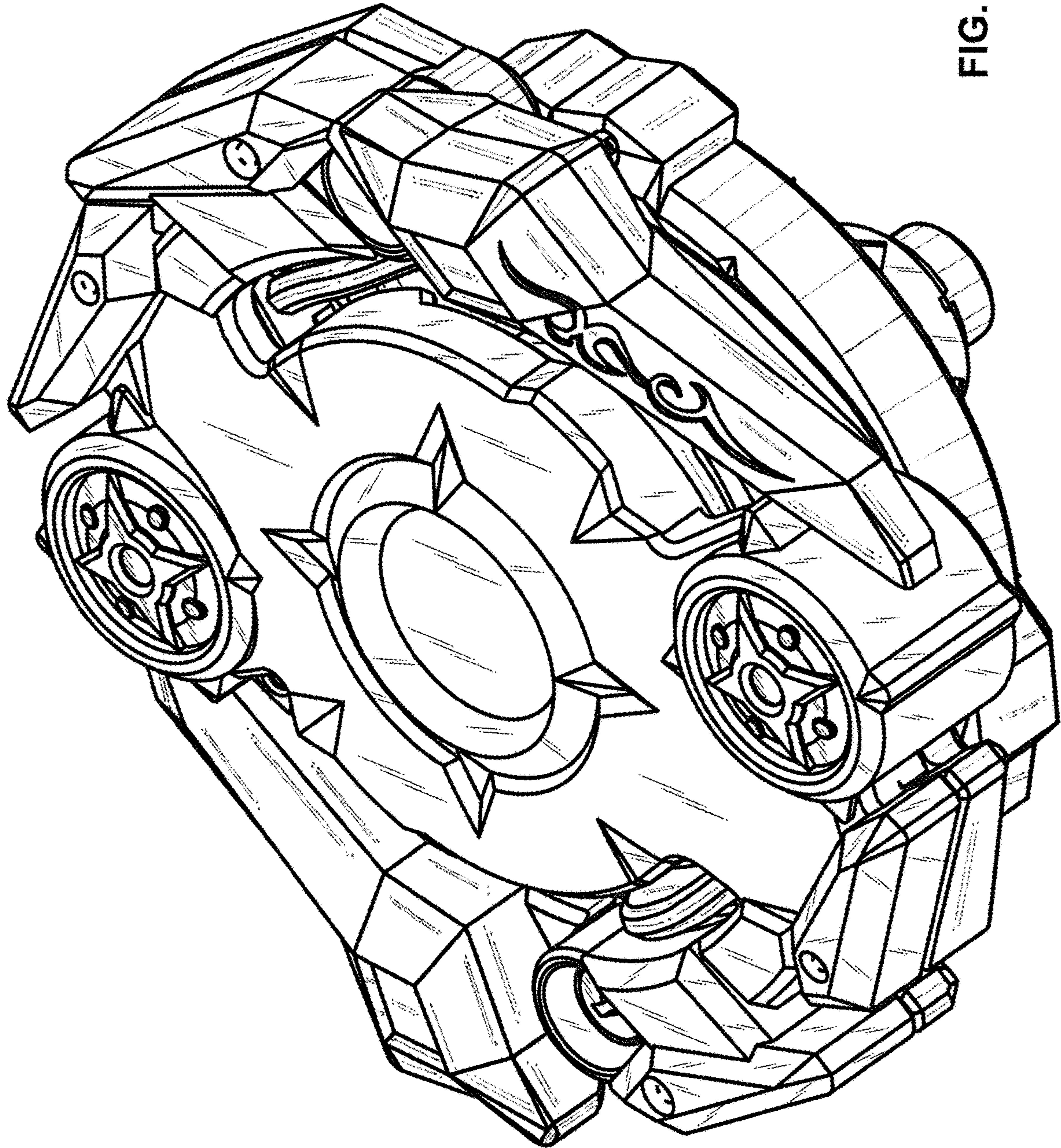


FIG. 16

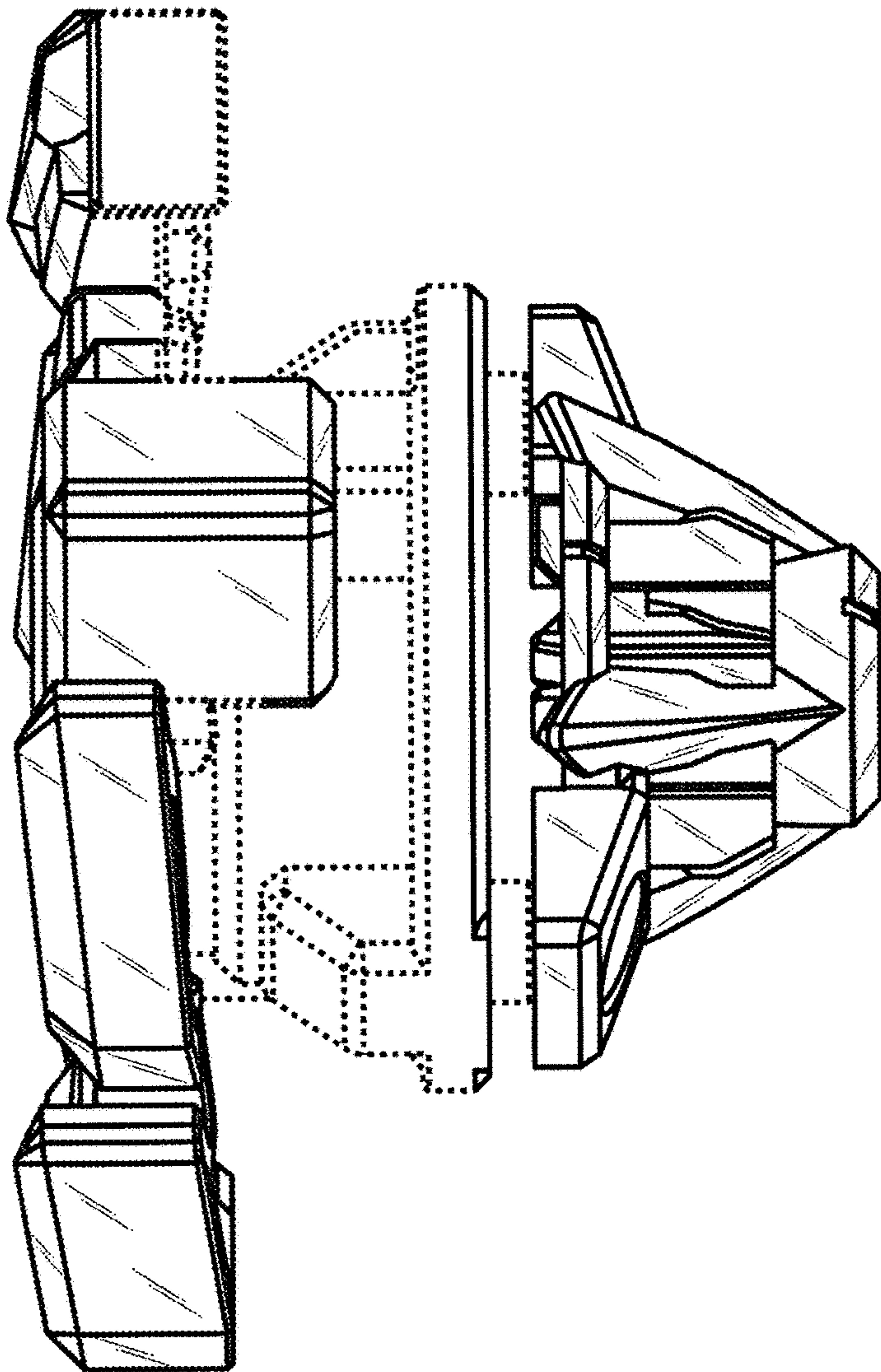


FIG. 17

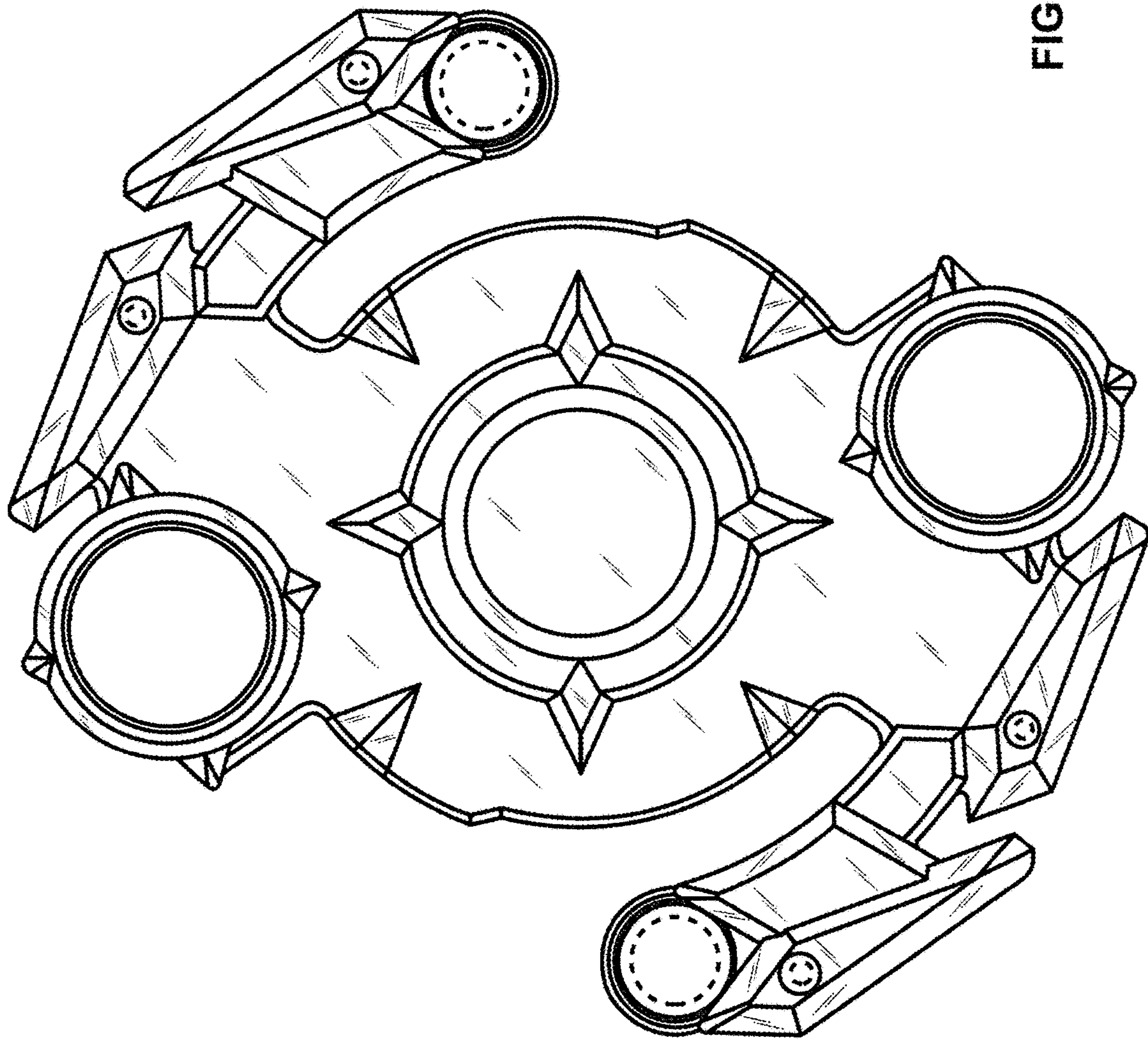


FIG. 18