



US00D845393S

(12) **United States Design Patent**
Buschkuehl et al.

(10) **Patent No.:** **US D845,393 S**

(45) **Date of Patent:** **** Apr. 9, 2019**

- (54) **DRAWING TOOL**
- (71) Applicant: **MIND Research Institute**, Irvine, CA (US)
- (72) Inventors: **Martin Buschkuehl**, Irvine, CA (US); **Matthew R. Peterson**, Irvine, CA (US)
- (73) Assignee: **MIND Research Institute**, Irvine, CA (US)
- (**) Term: **15 Years**
- (21) Appl. No.: **29/611,615**
- (22) Filed: **Jul. 24, 2017**
- (51) **LOC (11) Cl.** **19-06**
- (52) **U.S. Cl.**
USPC **D19/108**
- (58) **Field of Classification Search**
USPC D14/411; D19/115–204, 101–108;
D6/677, 692, 709
CPC . B43K 5/005; B43K 7/12; B43K 8/04; B43K 8/06; B43K 19/00; B43K 19/02; B43K 19/14; B43K 21/006; B43K 21/06; A63H 33/22; B43L 13/00; B43L 13/10; B43L 13/141; B43L 13/147; B43L 13/14; B43L 13/18
See application file for complete search history.

- 4,209,237 A * 6/1980 Meyer A63H 33/22 353/75
- 4,369,701 A * 1/1983 Richardson B44B 3/002 101/32
- 4,554,740 A * 11/1985 Gill B44B 3/002 33/23.02
- 5,044,085 A * 9/1991 Wang B43L 13/10 33/23.03
- 5,087,042 A * 2/1992 Solheim A63B 53/14 473/303
- 5,097,566 A * 3/1992 Decker B25F 5/006 16/421
- D326,683 S * 6/1992 Katami D19/175
- 5,383,277 A * 1/1995 Shimoda B43L 13/00 33/1 M
- D389,676 S * 1/1998 Diaz-Azcuy D6/692

* cited by examiner

Primary Examiner — Elizabeth A. Albert

(74) *Attorney, Agent, or Firm* — Knobbe Martens Olson & Bear LLP

(57) **CLAIM**

The ornamental design for a drawing device, as shown and described.

DESCRIPTION

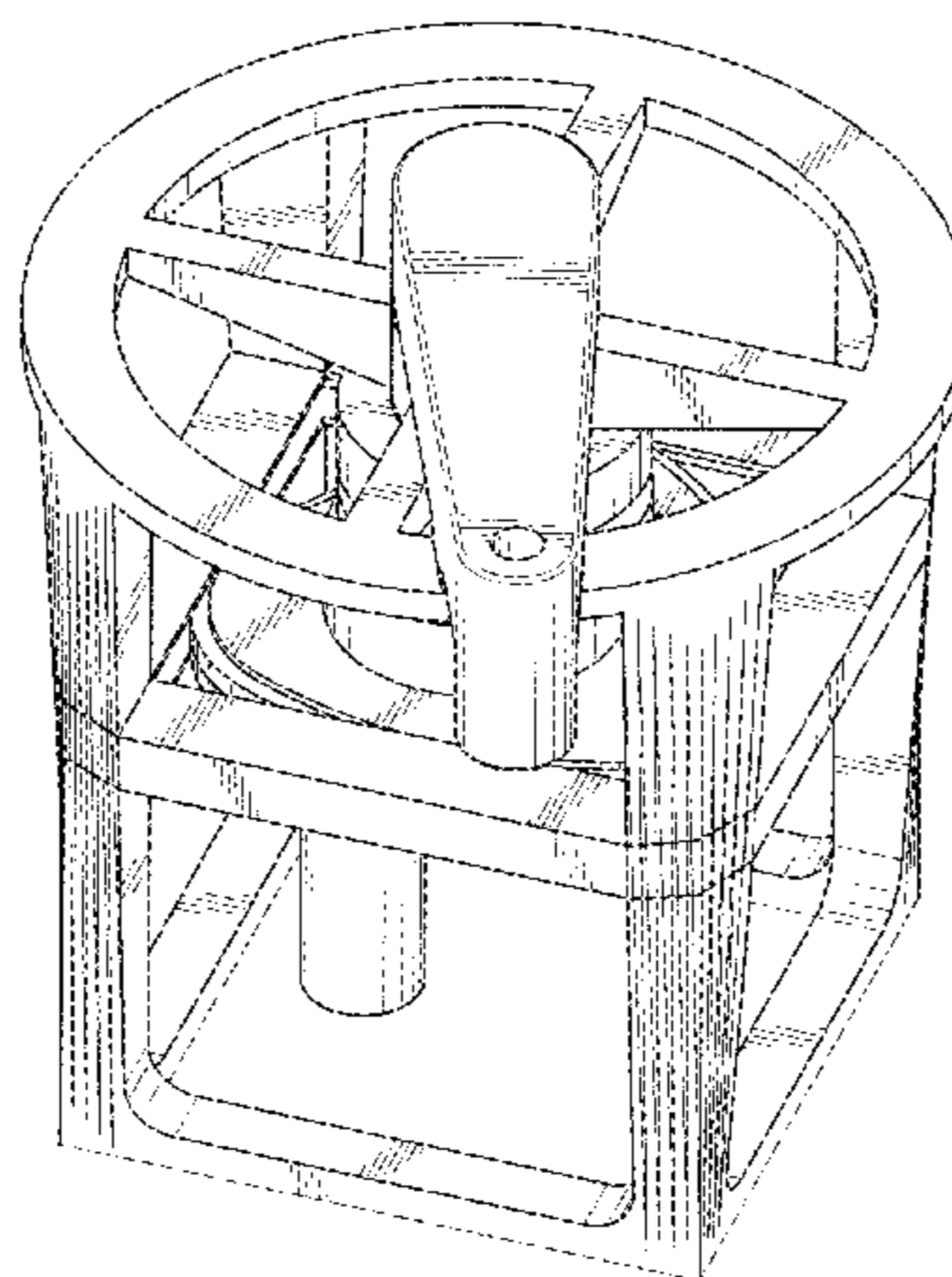
FIG. 1 is a front perspective view of a drawing tool showing our new design.
 FIG. 2 is a back perspective view thereof.
 FIG. 3 is a bottom perspective view thereof.
 FIG. 4 is a front view thereof.
 FIG. 5 is a back view thereof.
 FIG. 6 is a right side view thereof.
 FIG. 7 is a left side view thereof.
 FIG. 8 is a top view thereof; and,
 FIG. 9 is a bottom view thereof.
 The broken lines in the drawings represent portions of the drawing tool that form no part of the claimed design.

1 Claim, 8 Drawing Sheets

(56) **References Cited**

U.S. PATENT DOCUMENTS

- D97,163 S * 10/1935 Kipp D6/692
- D190,537 S * 6/1961 Schier D19/196
- 3,175,295 A * 3/1965 Wilbur-Webb B43L 13/147 33/18.3
- 3,425,126 A * 2/1969 Bowen B43L 13/147 33/18.1
- 3,440,727 A * 4/1969 Danjczek B43L 13/004 33/23.04
- D238,234 S * 12/1975 Miller D6/709



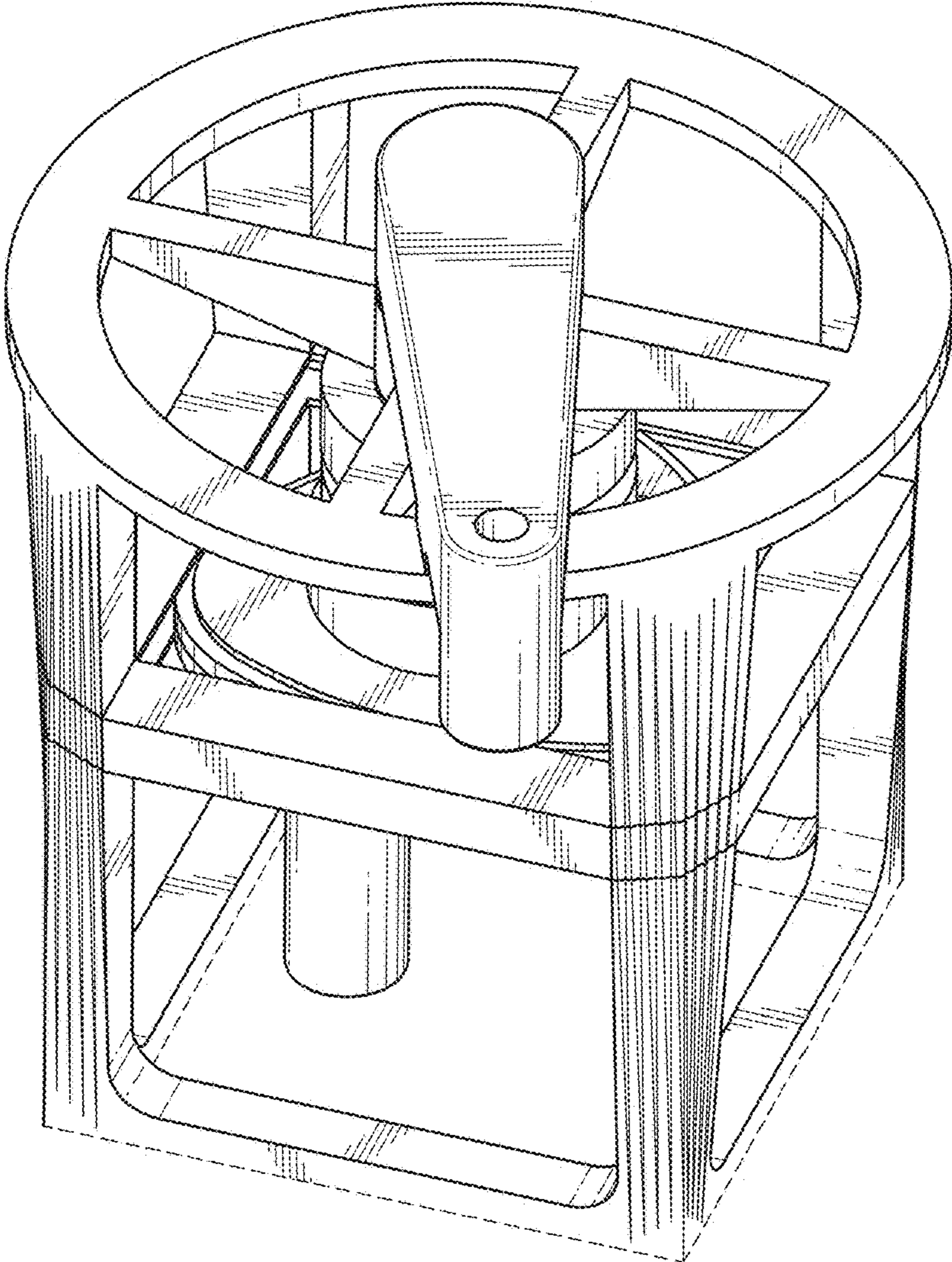


FIG. 1

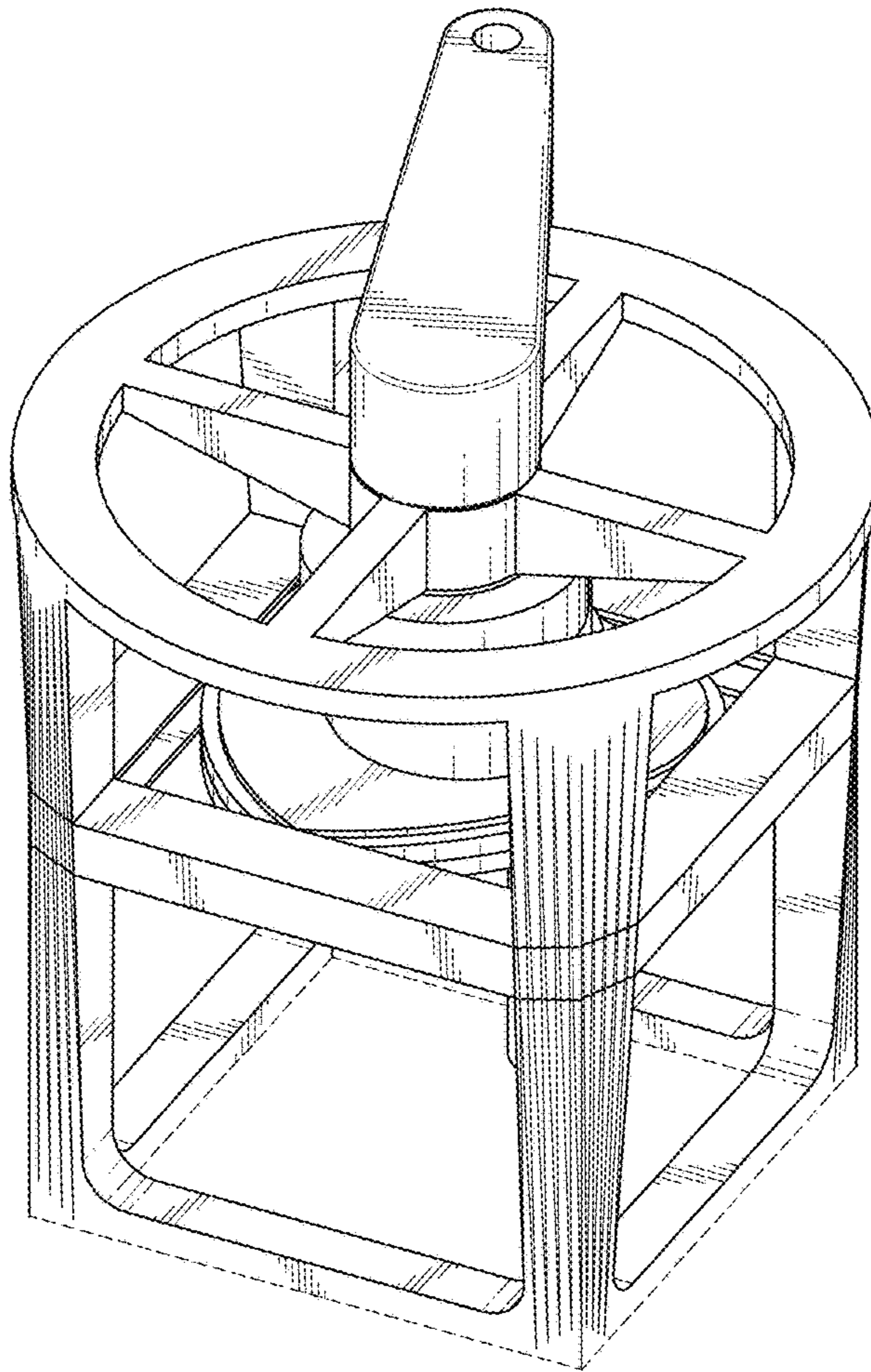


FIG. 2

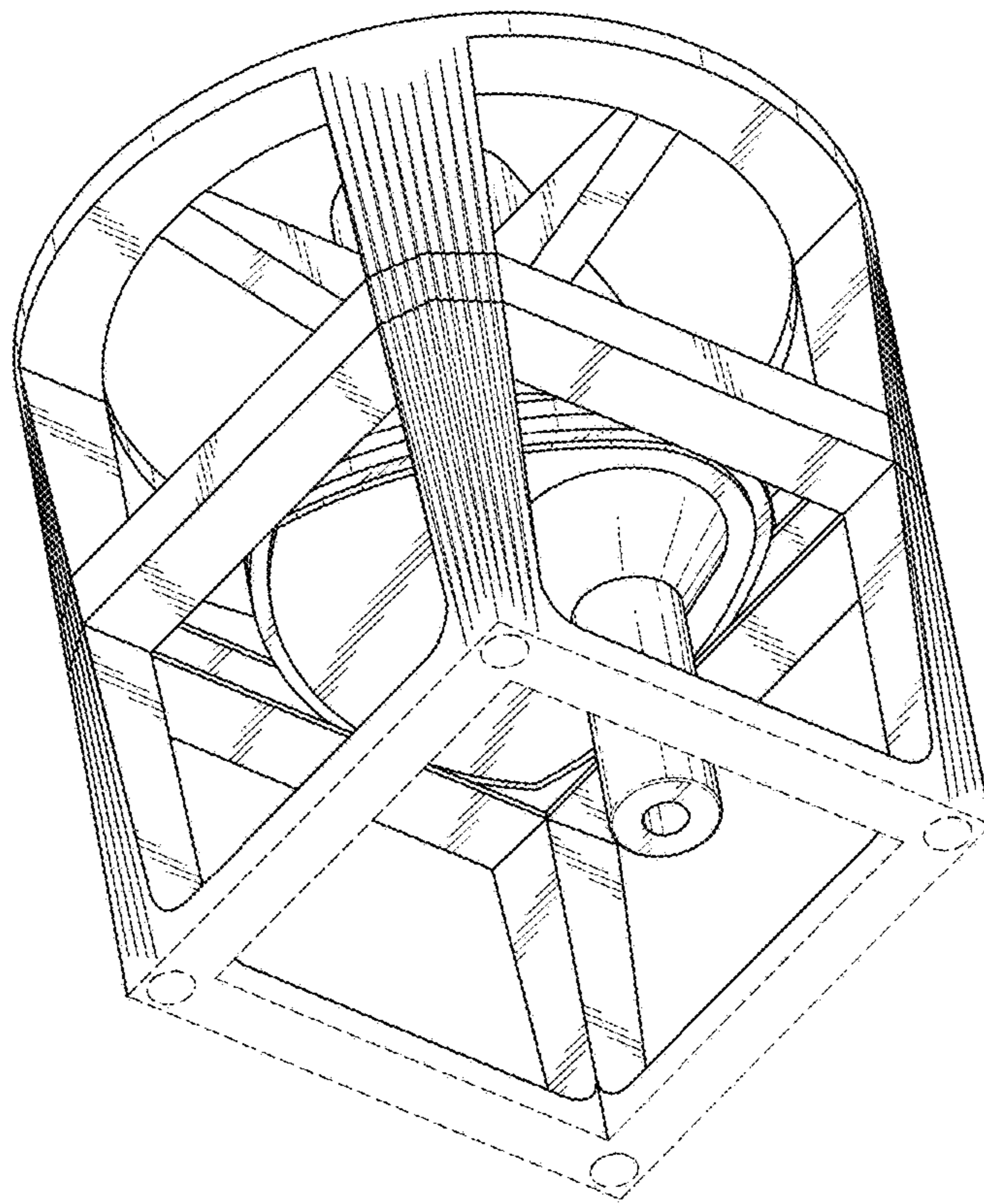


FIG. 3

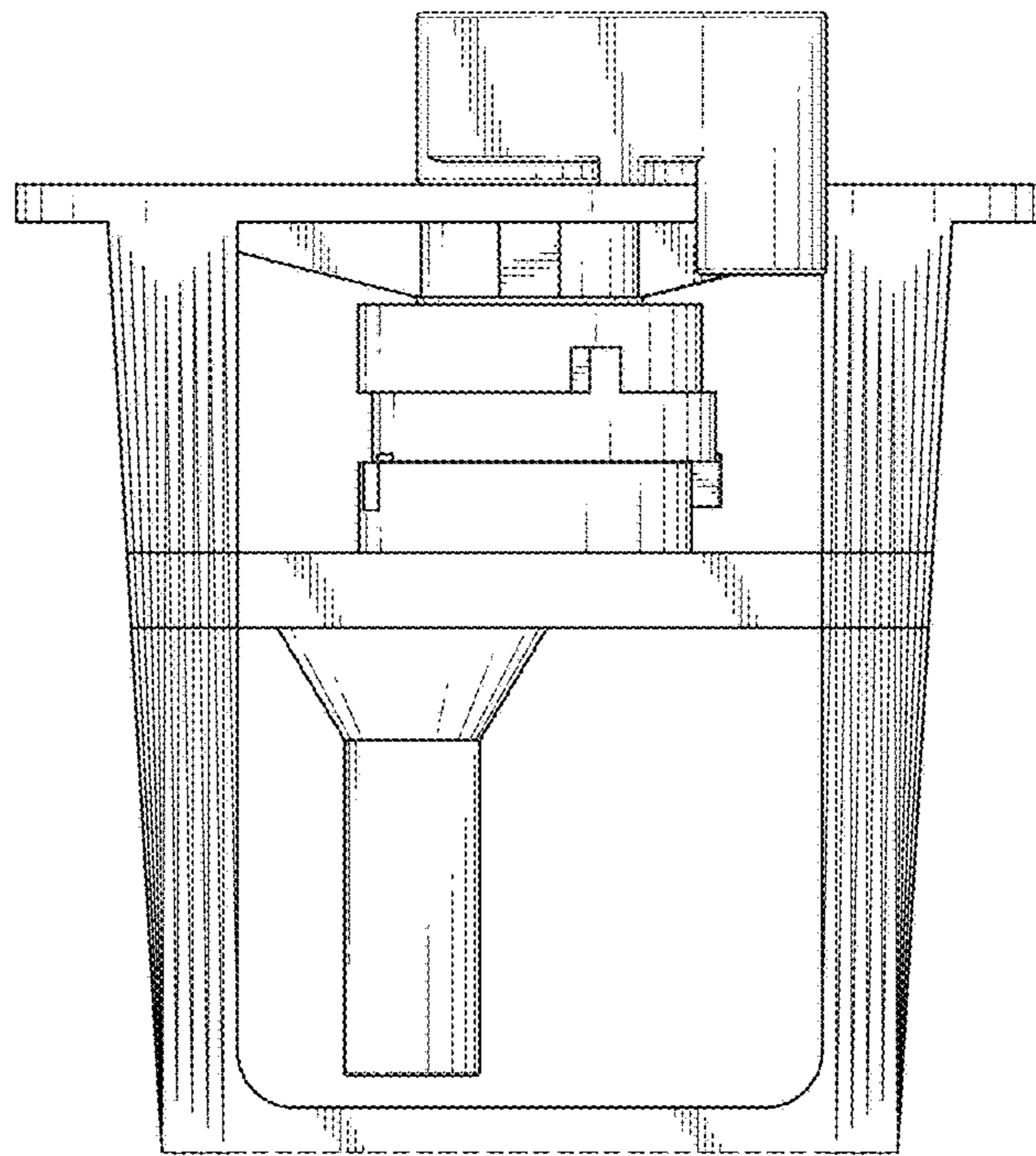


FIG. 4

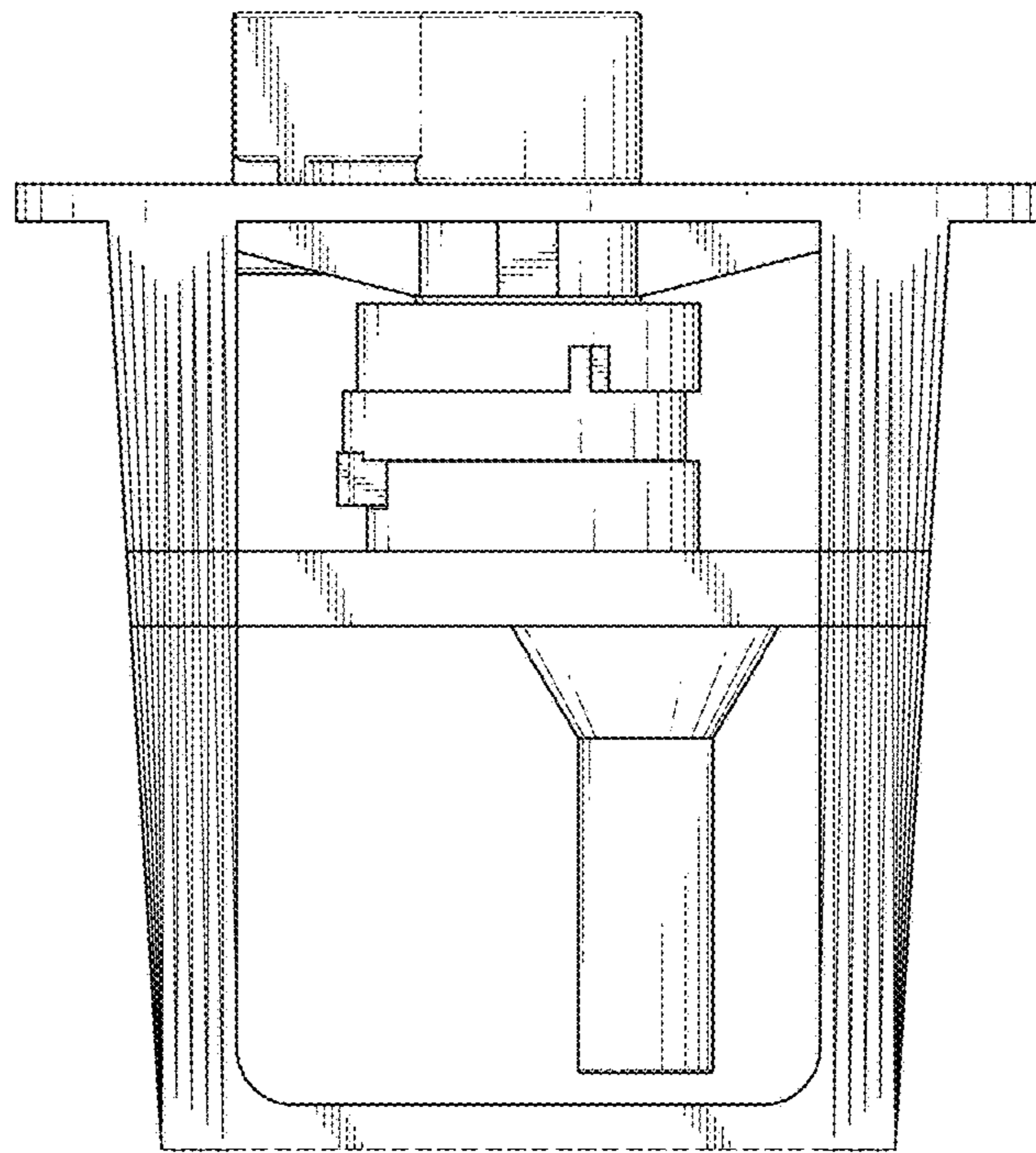


FIG. 5

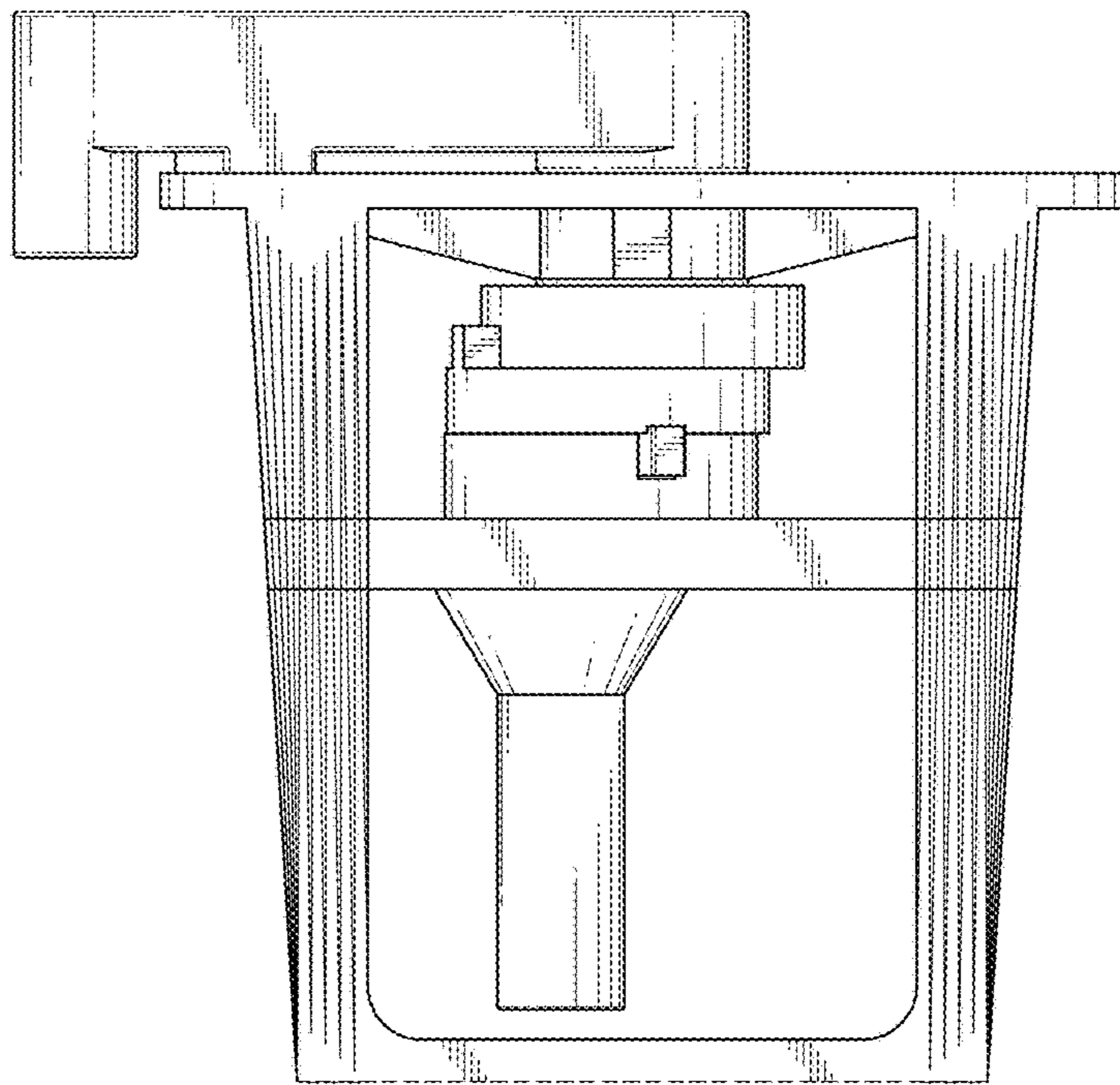


FIG. 6

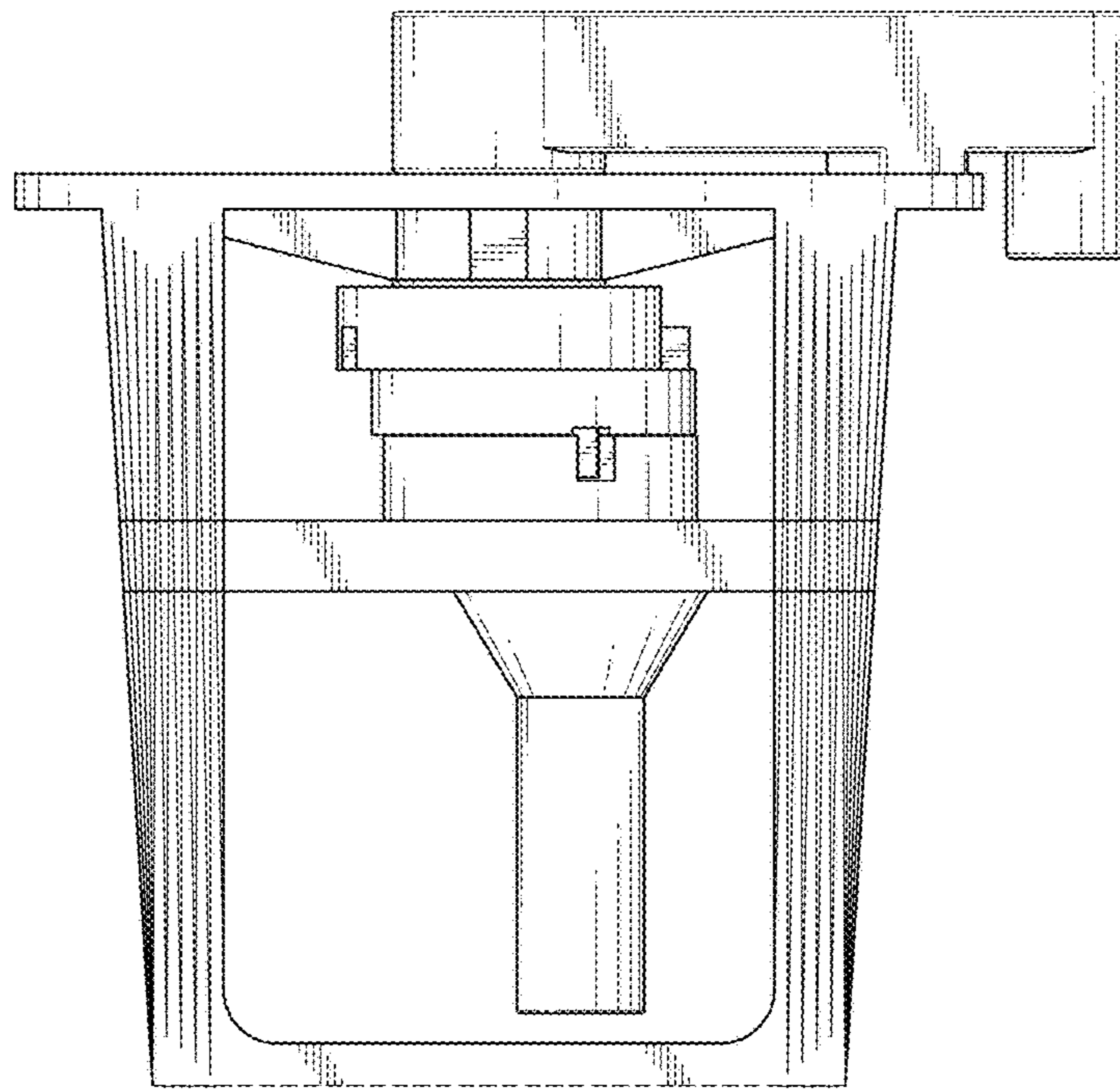


FIG. 7

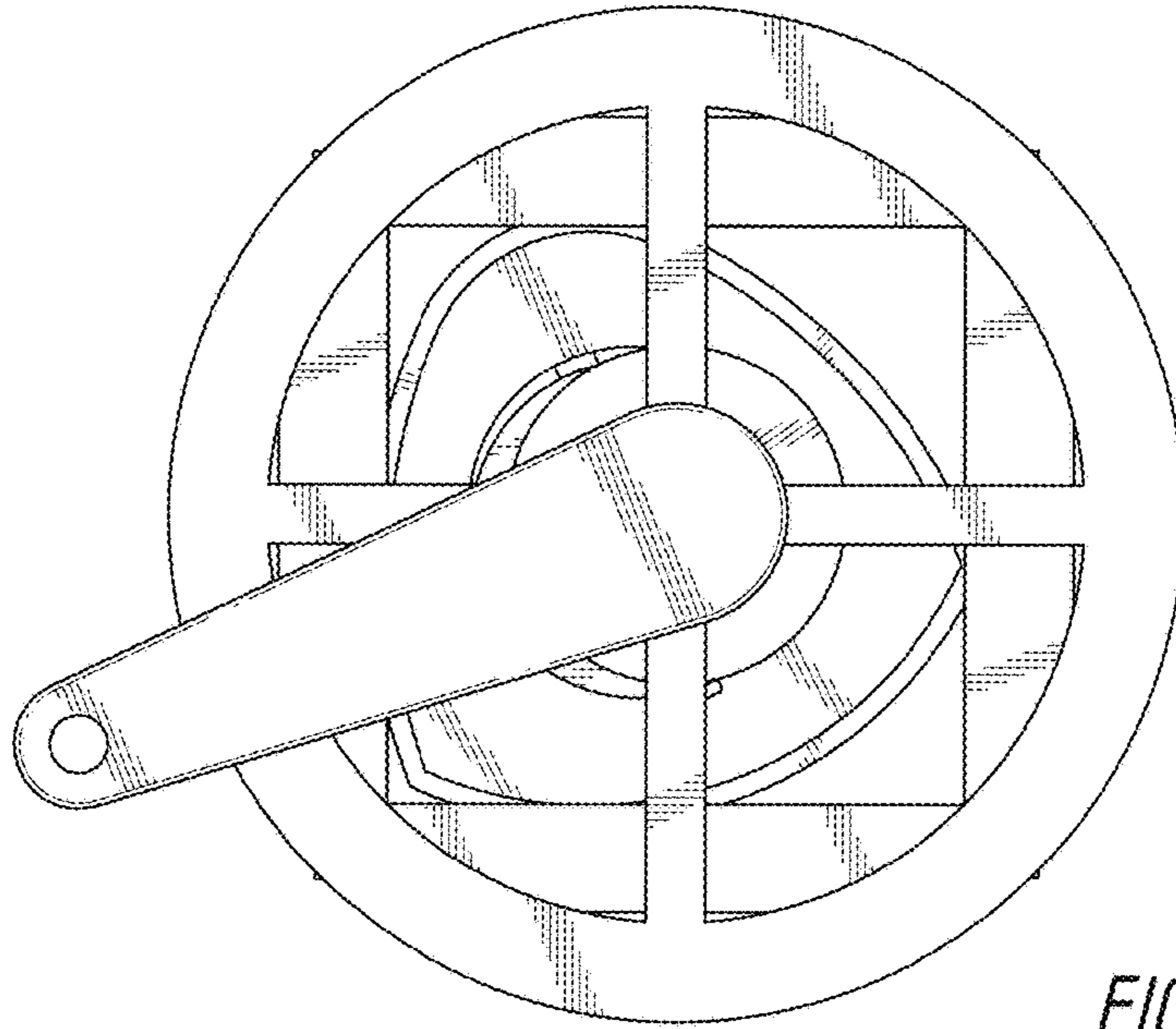


FIG. 8

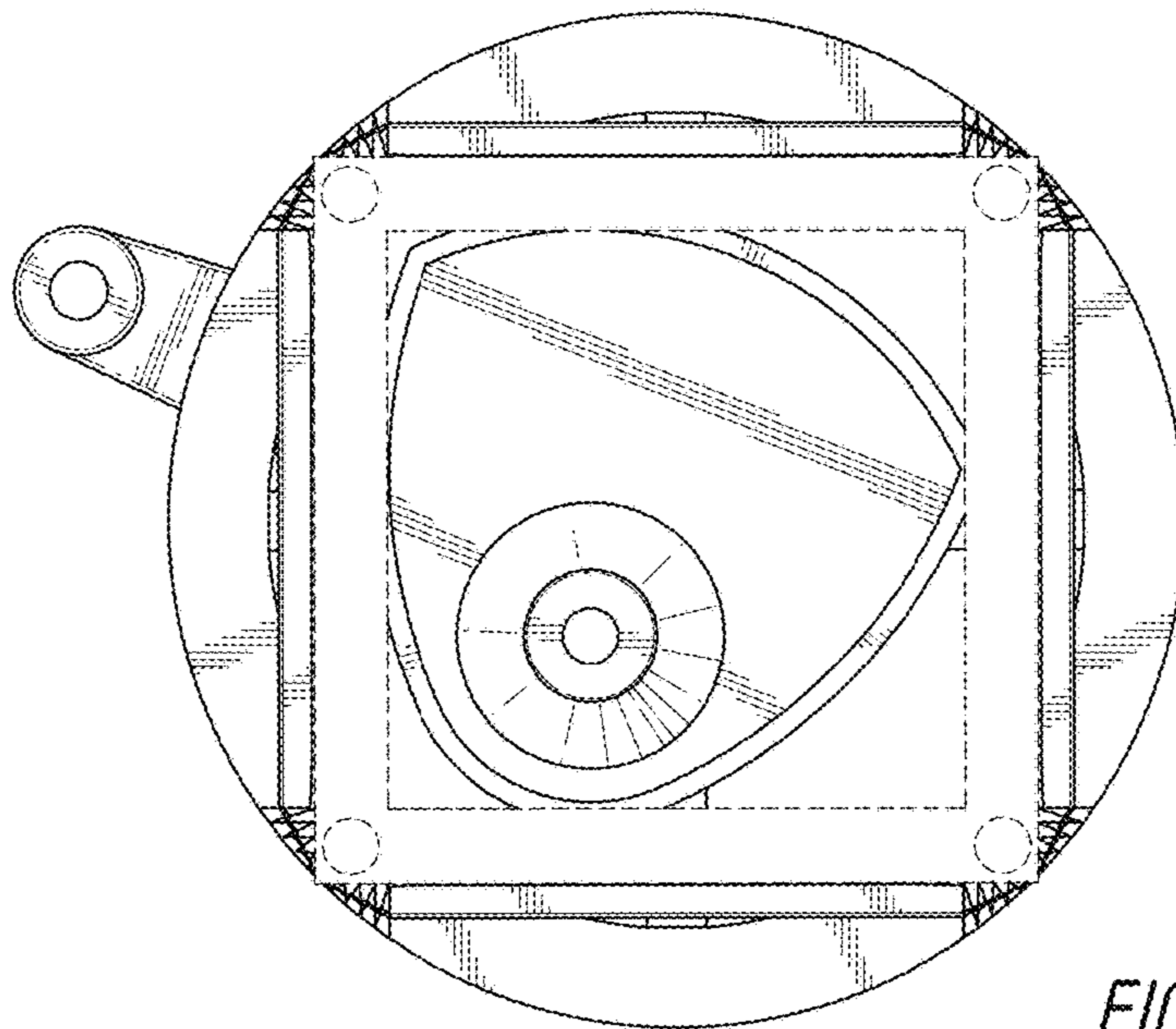


FIG. 9