



US00D845392S

(12) **United States Design Patent**  
**Chang**

(10) **Patent No.:** **US D845,392 S**

(45) **Date of Patent:** **\*\* Apr. 9, 2019**

(54) **BOARD CLIP FOR BOX**

(71) Applicant: **Jui-Chen Chang**, Taipei (TW)

(72) Inventor: **Jui-Chen Chang**, Taipei (TW)

(\*\*) Term: **15 Years**

(21) Appl. No.: **29/598,088**

(22) Filed: **Mar. 23, 2017**

(51) **LOC (11) Cl.** ..... **19-02**

(52) **U.S. Cl.**  
USPC ..... **D19/88**

(58) **Field of Classification Search**  
USPC ..... D19/78, 65, 88; D8/349, 382, 373  
CPC ..... B42F 9/008  
See application file for complete search history.

(56) **References Cited**

**U.S. PATENT DOCUMENTS**

4,892,334 A *	1/1990	Sinclair	.....	B43L 3/001 108/42
D379,477 S *	5/1997	Shamoon	.....	D19/78
D391,760 S *	3/1998	Zeller	.....	D3/276
D398,650 S *	9/1998	Shamoon	.....	D19/65
D428,927 S *	8/2000	Chang	.....	D19/78
D475,748 S *	6/2003	Shamoon	.....	D19/78
D492,358 S *	6/2004	Chen	.....	D19/65
D495,746 S *	9/2004	Chen	.....	D19/65
D500,800 S *	1/2005	Shamoon	.....	D19/78

D510,389 S *	10/2005	Shamoon	.....	D19/78
D586,400 S *	2/2009	Shamoon	.....	D19/88
D601,631 S *	10/2009	Kent	.....	D19/88
D697,973 S *	1/2014	Lee	.....	D19/88
D748,726 S *	2/2016	Jui-Chen	.....	D19/88
9,849,716 B2 *	12/2017	Chang	.....	B42F 9/008

\* cited by examiner

*Primary Examiner* — Cynthia Ramirez

*Assistant Examiner* — Laura H Yu

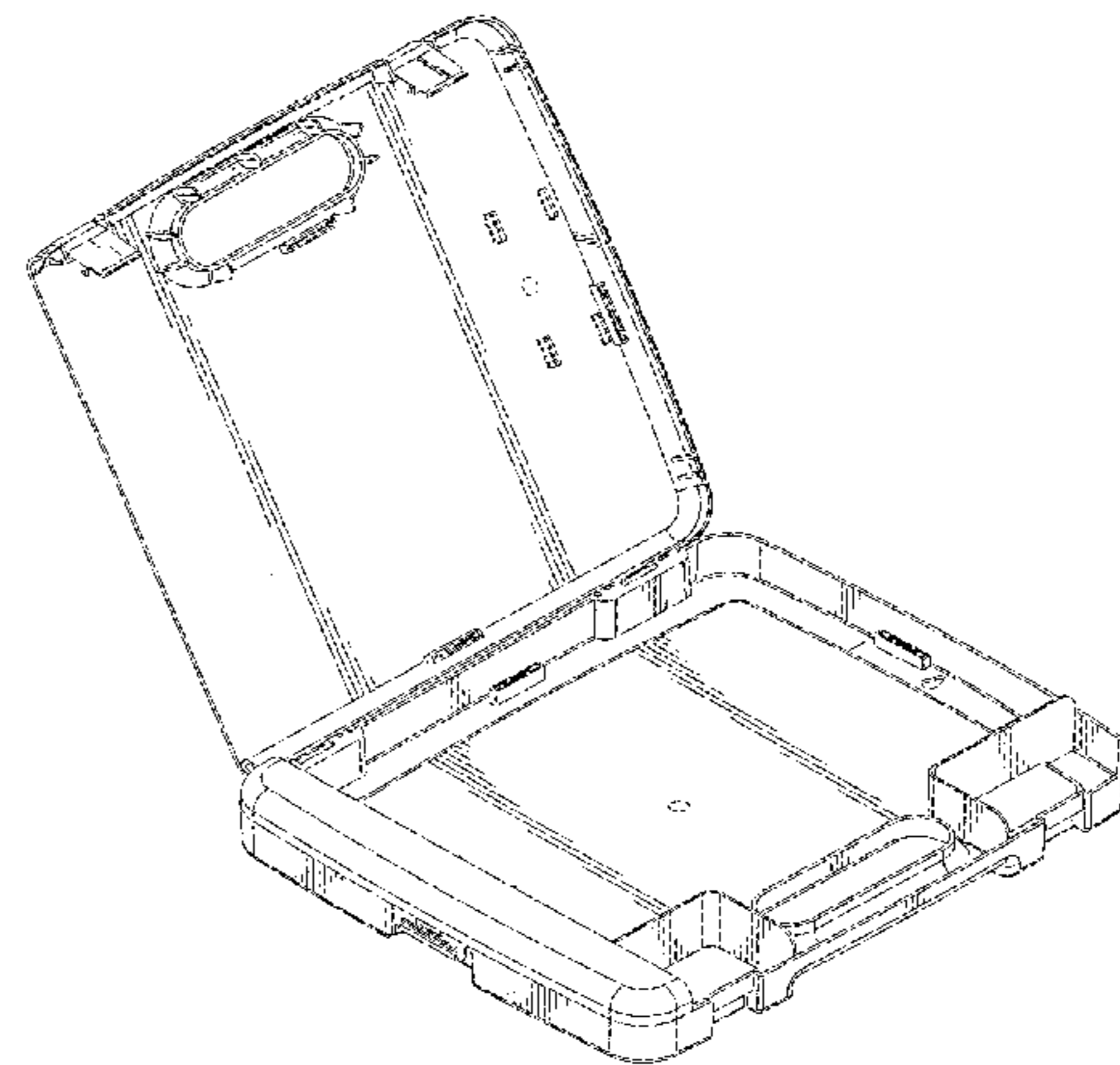
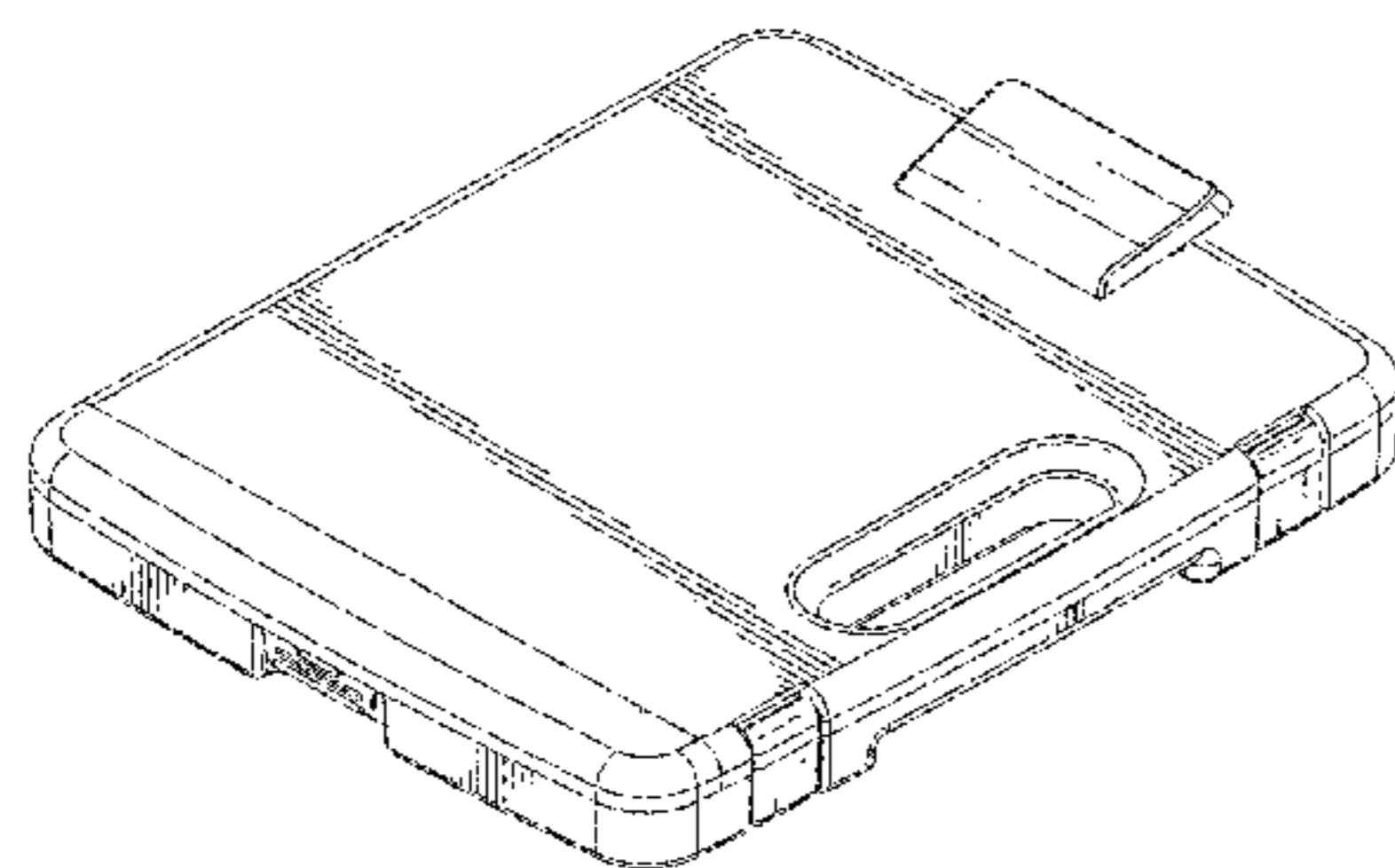
(57) **CLAIM**

The ornamental design for a board clip for box, as shown and described.

**DESCRIPTION**

FIG. 1 is a perspective view of a board clip for box showing my new design;  
 FIG. 2 is a front elevational view thereof;  
 FIG. 3 is a rear elevational view thereof;  
 FIG. 4 is a left side elevational view thereof;  
 FIG. 5 is a right side elevational view thereof;  
 FIG. 6 is a top plan view thereof;  
 FIG. 7 is a bottom plan view thereof;  
 FIG. 8 is a perspective view of a board clip for box in a different configuration thereof; and,  
 FIG. 9 is another perspective view of a board clip for box in another configuration.  
 The broken lines illustrate portions of the board clip for box that form no part of the claimed design.

**1 Claim, 9 Drawing Sheets**



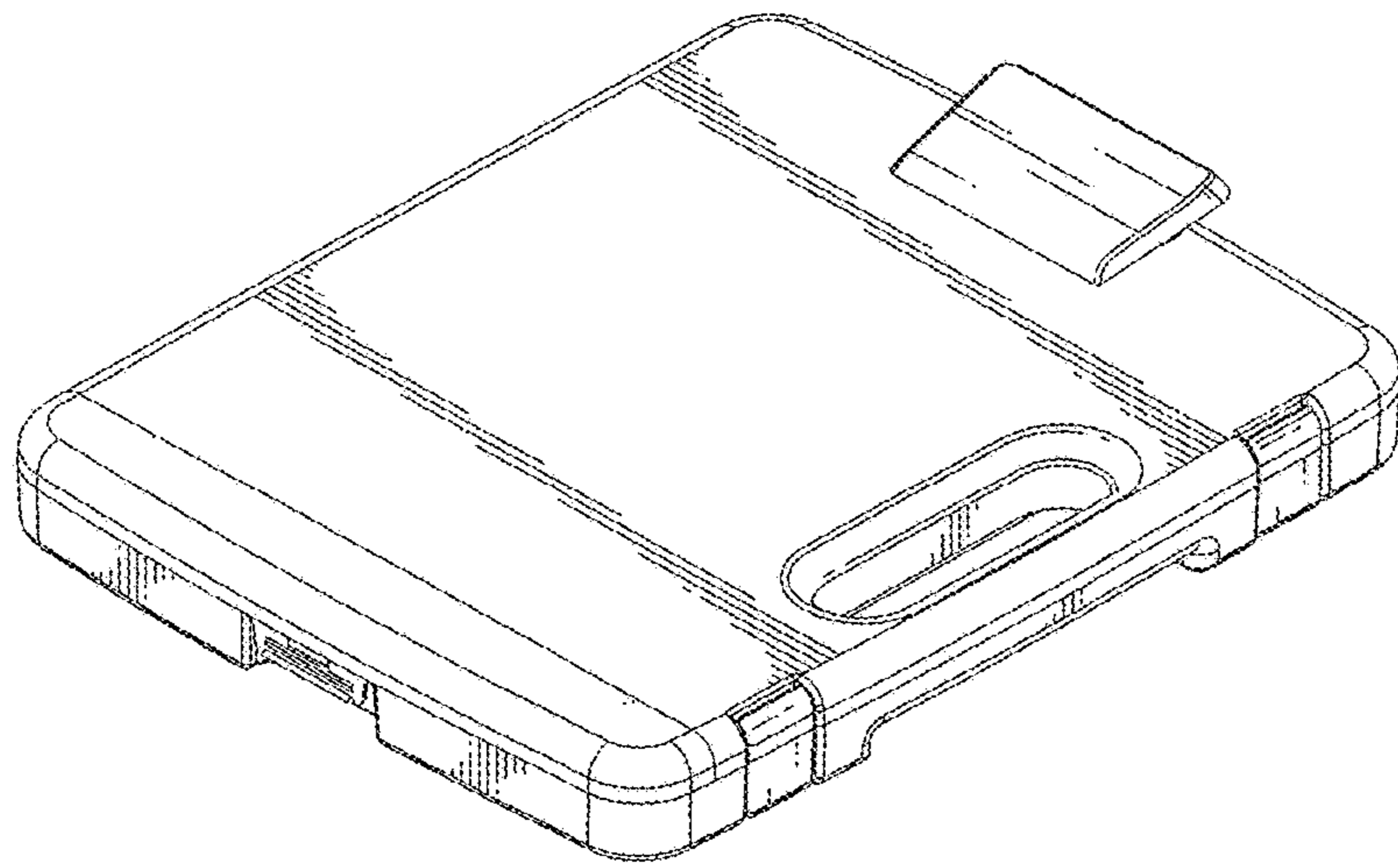


FIG. 1

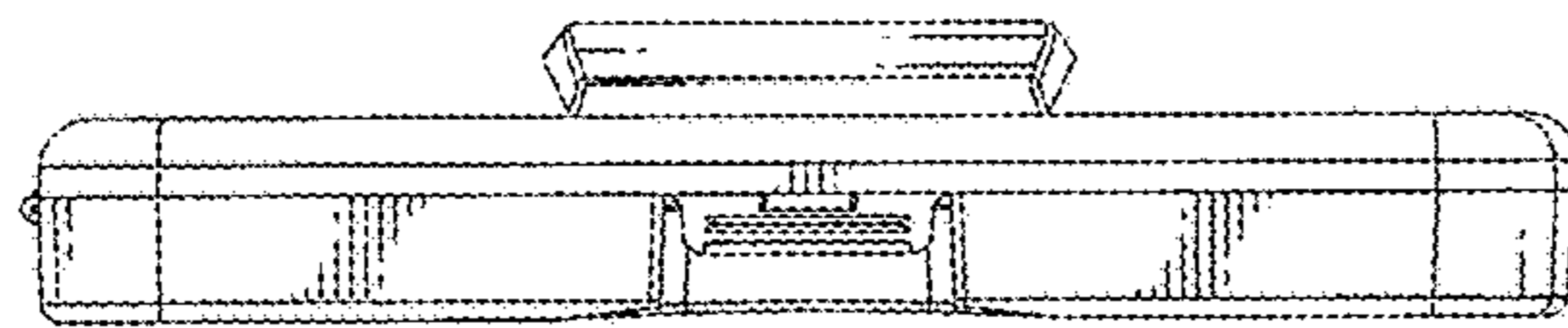


FIG. 2

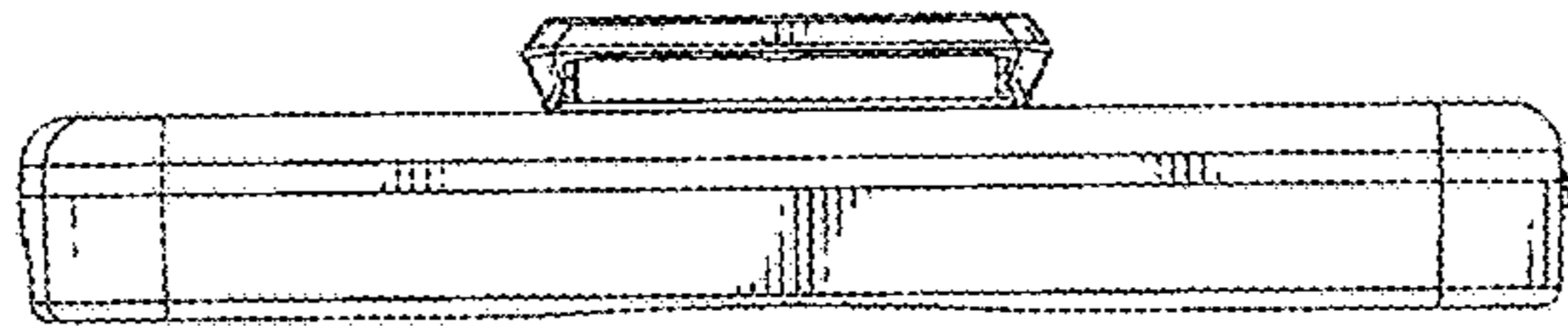


FIG. 3

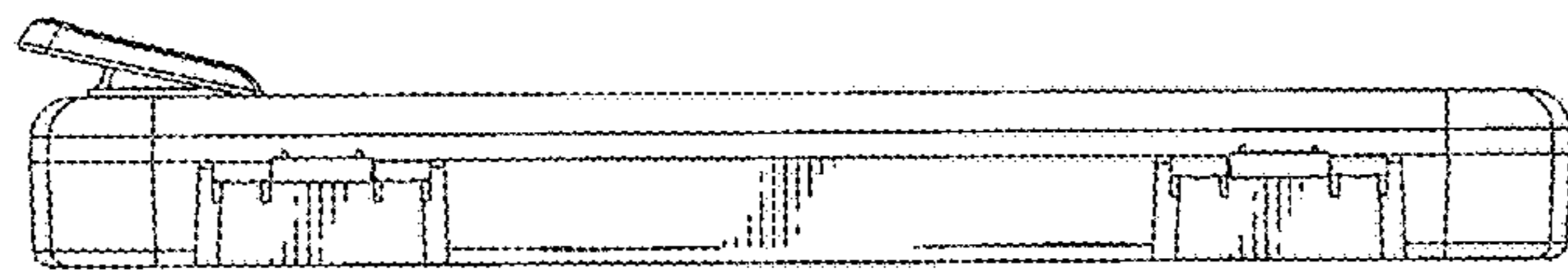


FIG. 4

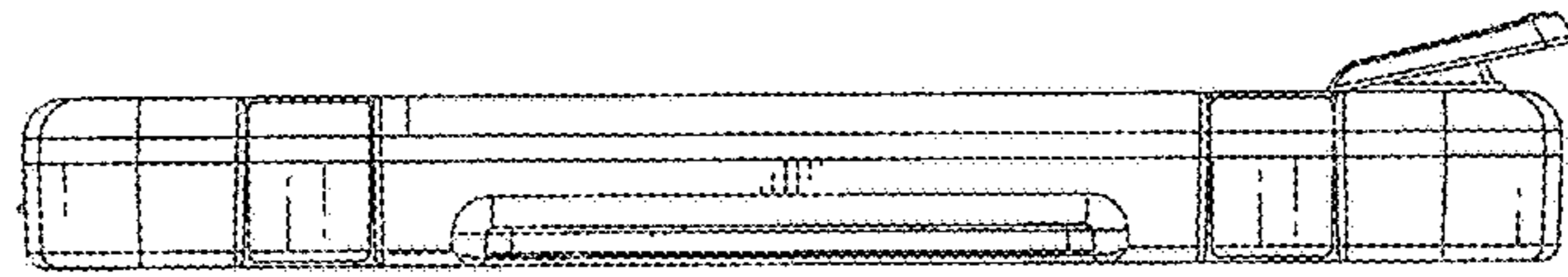


FIG. 5

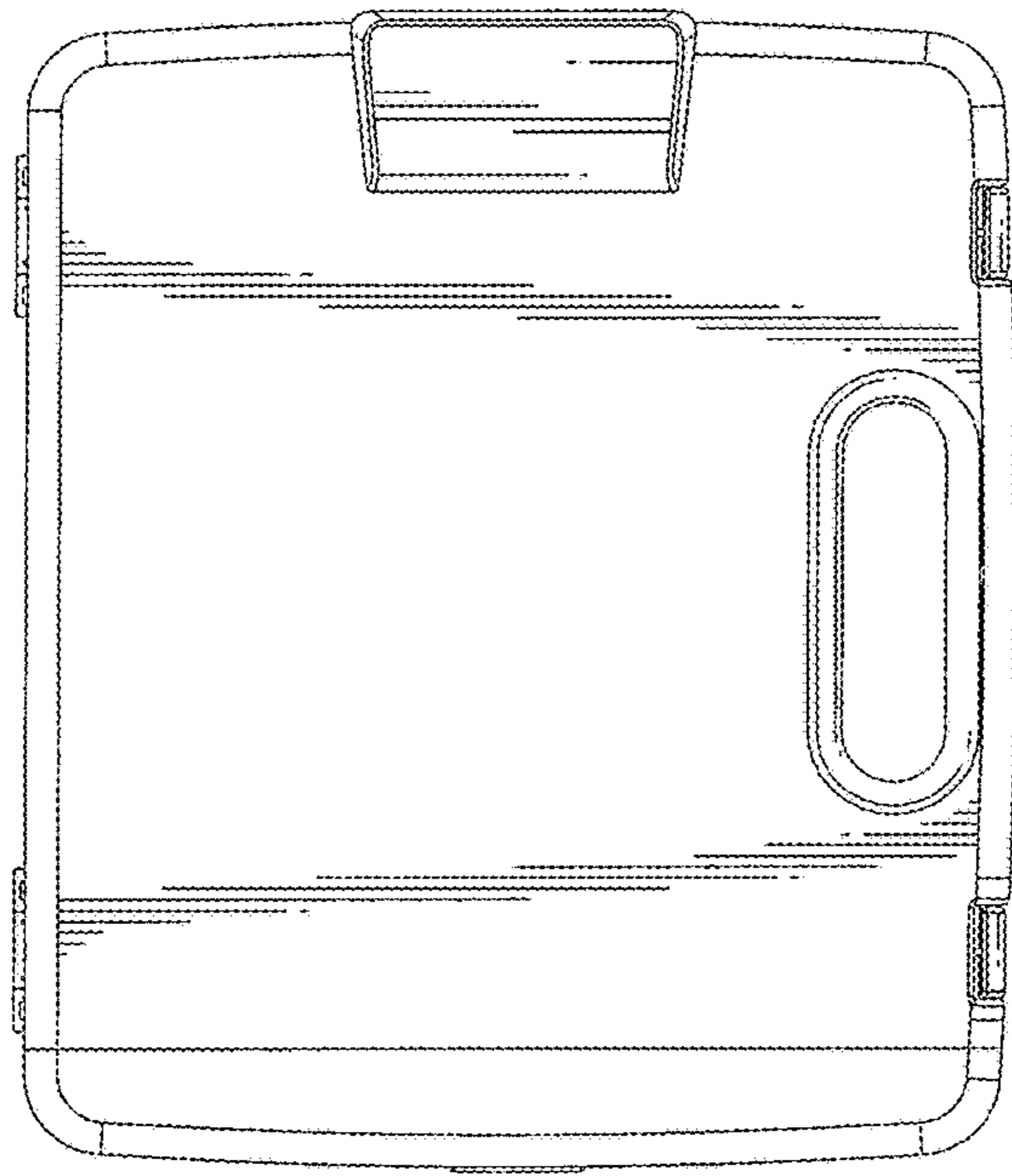


FIG. 6

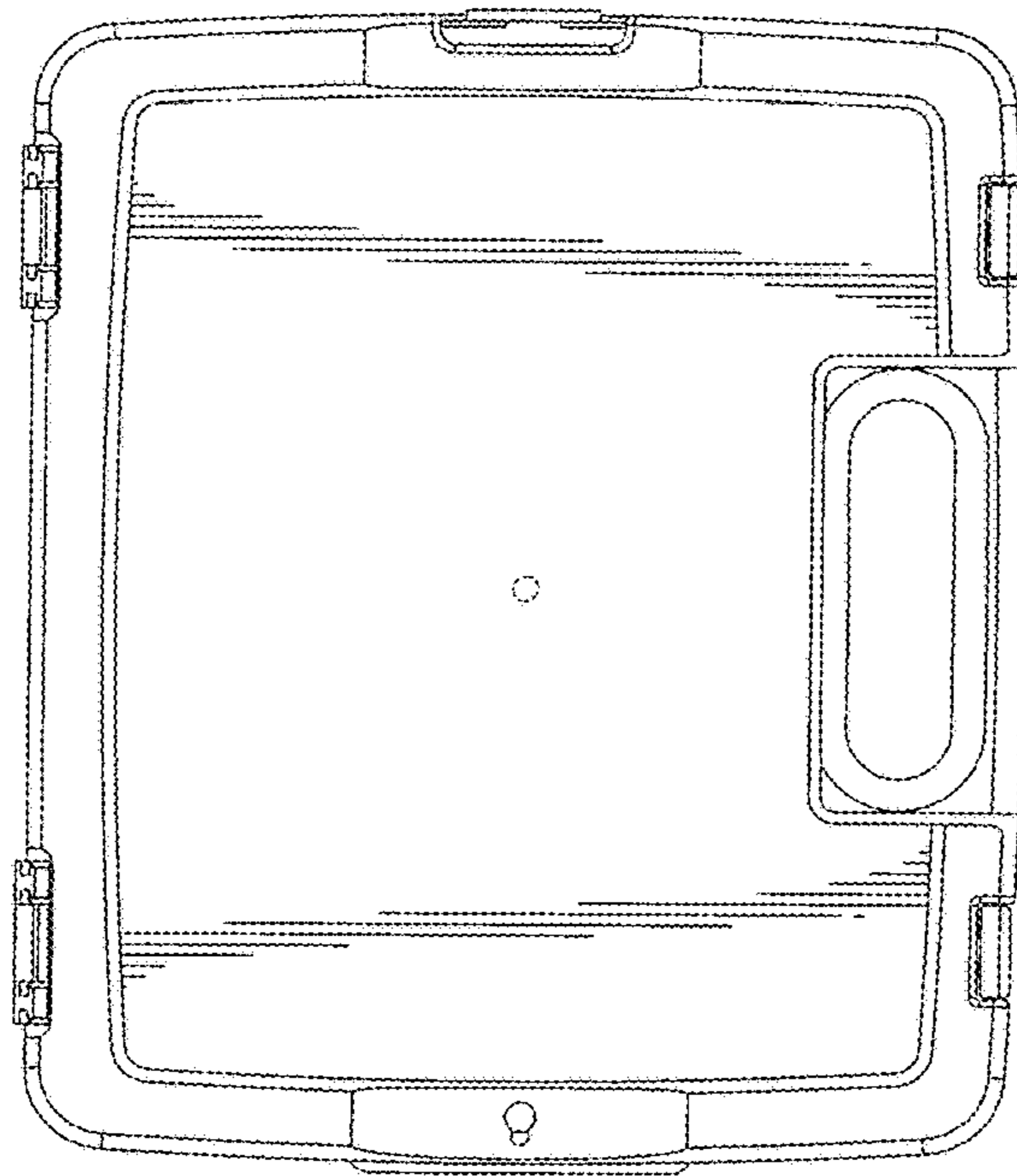


FIG. 7



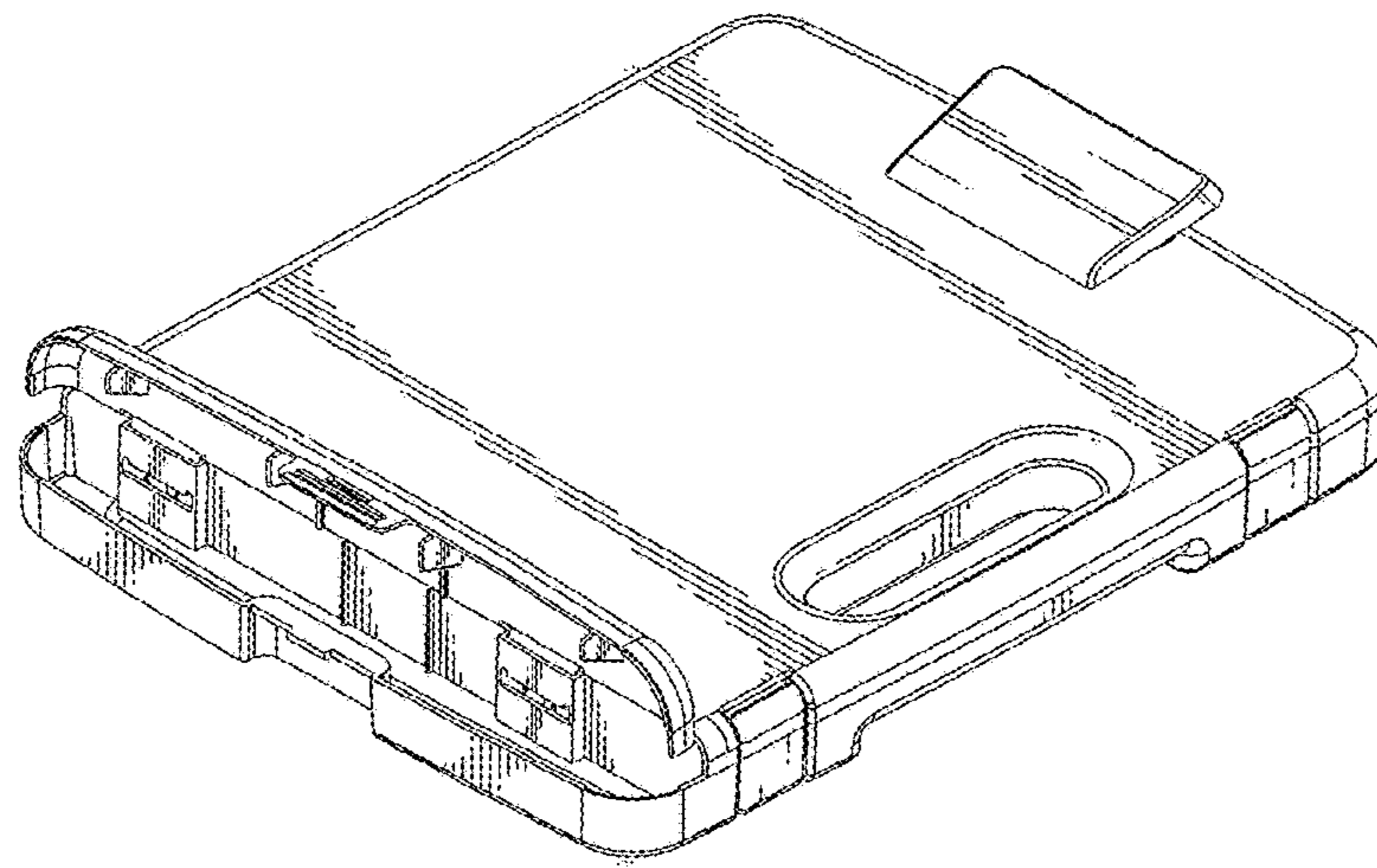


FIG. 8

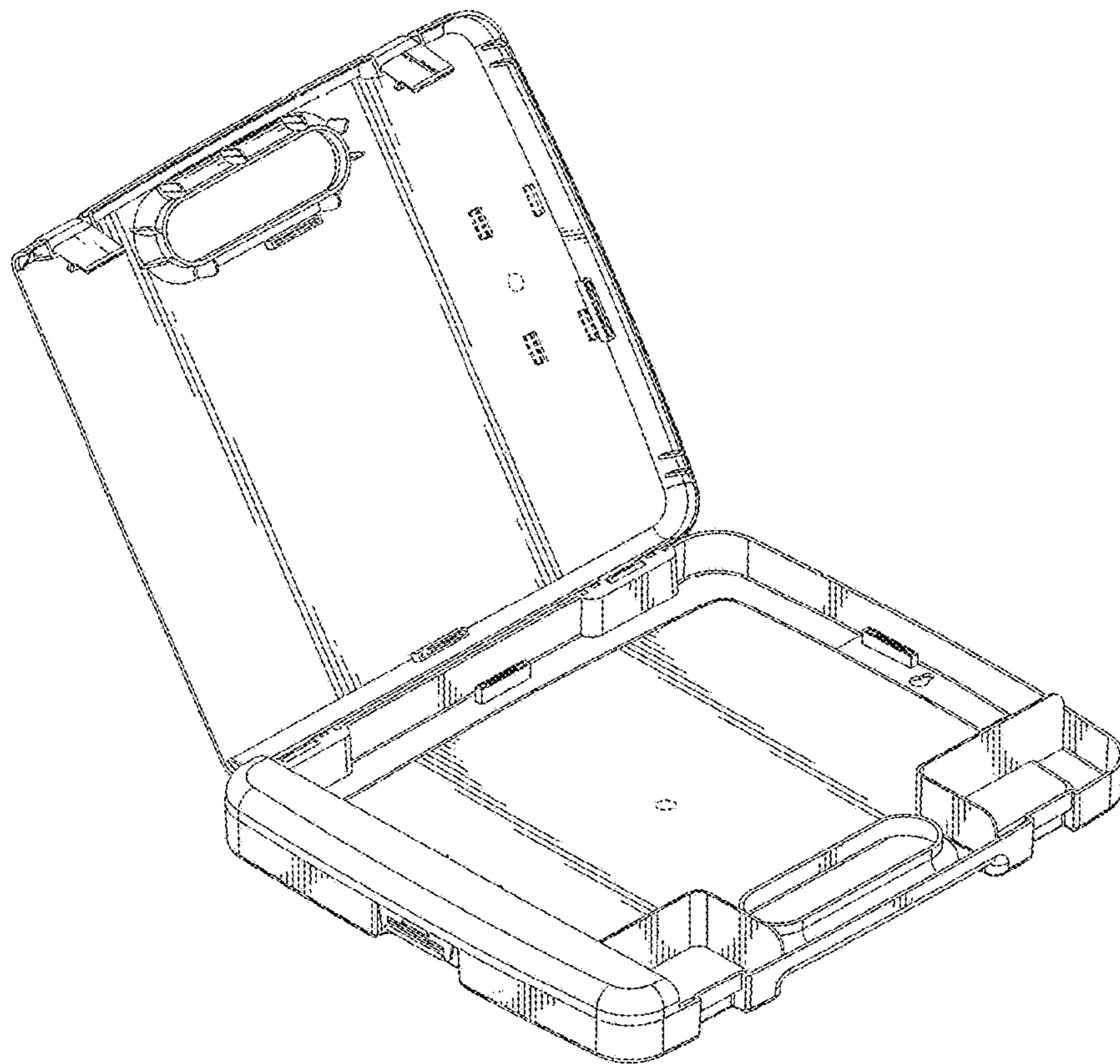


FIG. 9