



US00D845391S

(12) **United States Design Patent** (10) **Patent No.:** **US D845,391 S**
Desio (45) **Date of Patent:** **** Apr. 9, 2019**

(54) **THREE RING CARD STOCK HOLDER**
(71) Applicant: **Virgilio Desio**, Las Vegas, NV (US)
(72) Inventor: **Virgilio Desio**, Las Vegas, NV (US)
(**) Term: **15 Years**

D493,658 S * 8/2004 Hassett B42F 7/025
D19/33
D497,386 S 10/2004 Yant
6,942,414 B2 * 9/2005 Wong B42F 7/025
281/38
D567,286 S * 4/2008 Takahashi D19/33
D674,015 S * 1/2013 Radtke D19/33
2014/0308060 A1 10/2014 Perry

(21) Appl. No.: **29/618,070**
(22) Filed: **Sep. 19, 2017**
(51) **LOC (11) Cl.** **19-04**
(52) **U.S. Cl.**
USPC **D19/33**
(58) **Field of Classification Search**
USPC D19/33, 26, 27, 32, 34, 34.1-34.5, 124,
D19/100, 2, 3, 86, 91; D3/303, 227, 900,
D3/248; D9/433, 634; D6/626
CPC B42F 17/00; B42F 19/00; B42F 21/00;
B42F 21/02; B42F 23/00; B42F 15/0011;
B42F 15/0017; B42F 15/0023; B42F
15/007; B42F 15/0082; B42F 15/0088;
B42F 15/0094

FOREIGN PATENT DOCUMENTS

WO WO-9834797 A1 * 8/1998 B42F 7/025

OTHER PUBLICATIONS

Amazon. Link: https://www.amazon.com/Avery-Dividers-Insertable-Multicolor-11982/dp/B0155U3EES/ref=sr_1_13?s=office-products&ie=UTF8&qid=1541087573&sr=1-13&keywords=sheet+protector+with+front+pocket. Aug. 12, 2016. Avery 5-Tab Plastic Binder Dividers with Pockets. (Year: 2016).*
Amazon. Link: https://www.amazon.com/Flight-Crew-Checklist-Binder-Protectors/dp/B005E0TF2U/ref=sr_1_13?s=office-products&ie=UTF8&qid=1541087792&sr=1-13&keywords=sheet+protector+with+card+slots#HLCXComparisonWidget_feature_div. Jul. 22, 2011. Flight Crew Checklist Binder. (Year: 2011).*

See application file for complete search history.

* cited by examiner

Primary Examiner — Bridget L Eland
Assistant Examiner — Lauren D McVey

(56) **References Cited**

U.S. PATENT DOCUMENTS

2,232,975 A * 2/1941 Schade B42F 5/00
40/537
D190,767 S * 6/1961 Tannehill D19/1
D261,155 S * 10/1981 Nast B42F 7/025
D19/33
4,508,366 A 4/1985 Brindle
4,832,372 A 5/1989 Young
4,974,983 A 12/1990 Givati
5,031,772 A * 7/1991 Woodriff B65D 85/544
206/308.3
5,215,398 A 6/1993 White
D421,050 S * 2/2000 Henrikson D19/33
D428,297 S * 7/2000 Drew D19/33
6,282,826 B1 * 9/2001 Richards G09F 3/20
40/654.01
D491,407 S * 6/2004 Martinetti D19/33
6,745,896 B2 * 6/2004 Palmer G11B 33/0422
206/232

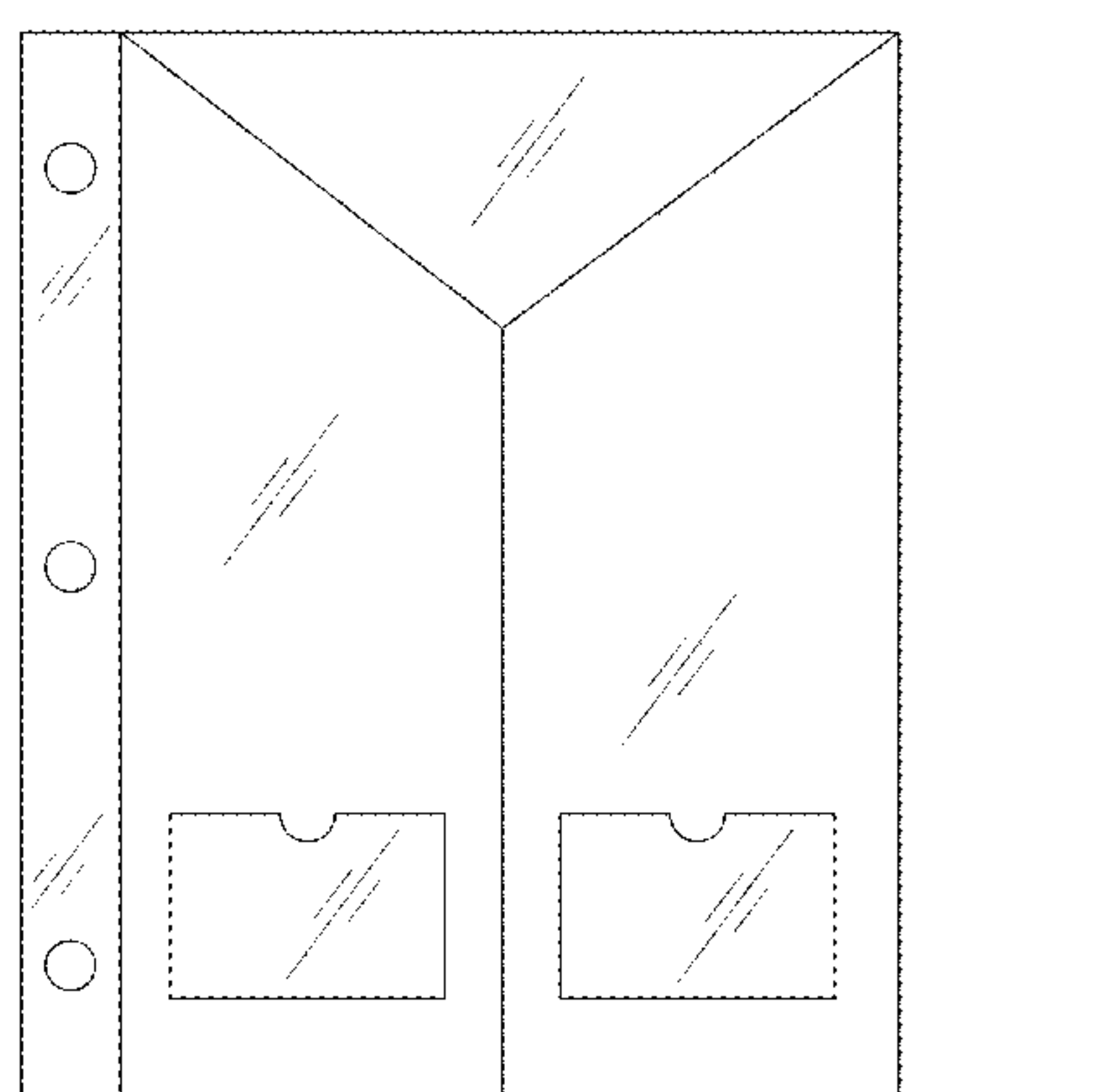
(57) **CLAIM**

I claim the ornamental design for a three ring card stock holder, as shown and described.

DESCRIPTION

FIG. 1 is a front view of the three ring card stock holder.
FIG. 2 is a right side view of the claimed design.
FIG. 3 is a left side view of the claimed design.
FIG. 4 is a top view of the claimed design.
FIG. 5 is a bottom view of the claimed design; and,
FIG. 6 is a perspective view of the claimed design.

1 Claim, 3 Drawing Sheets



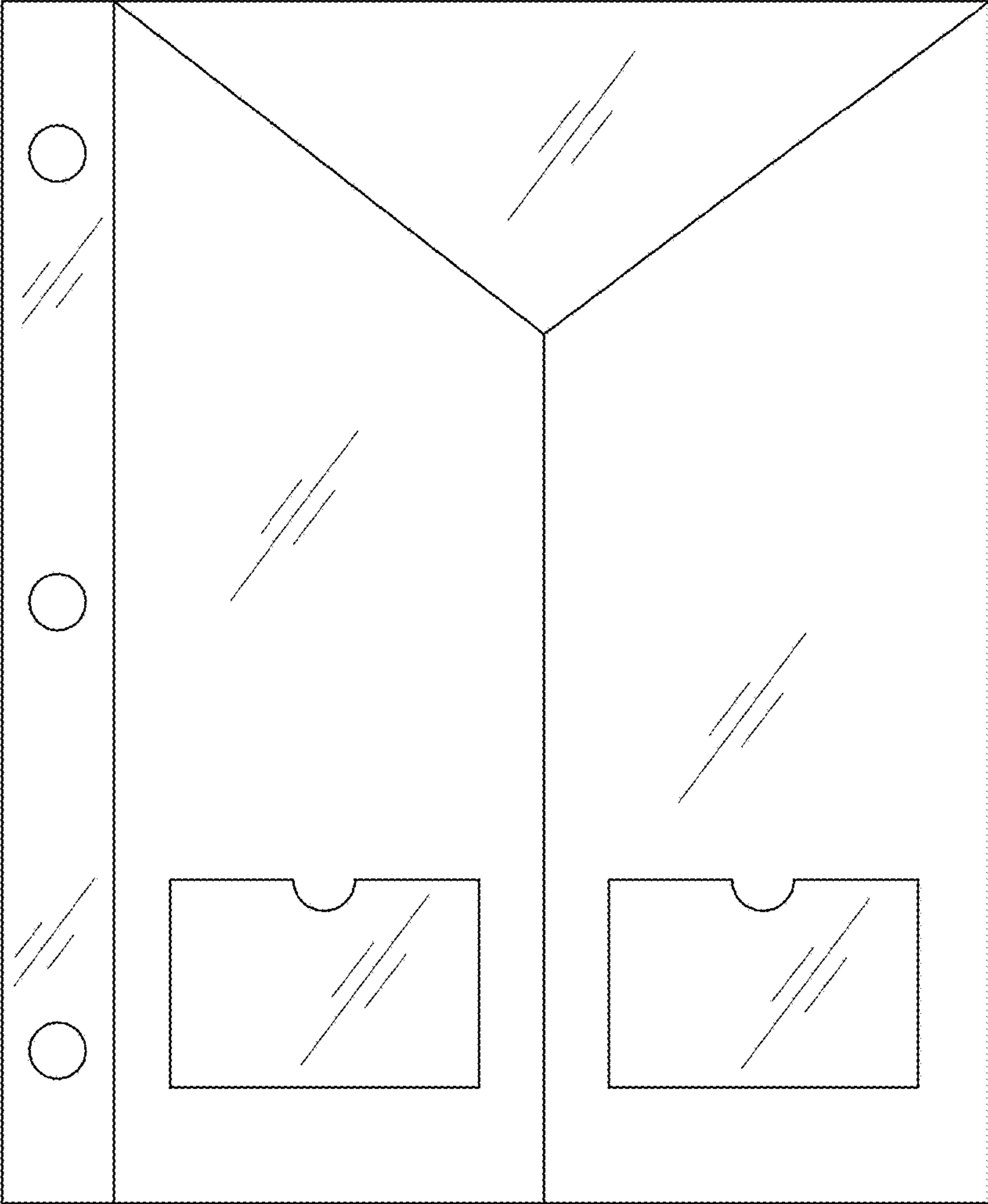


FIG. 1

FIG. 2



FIG. 3

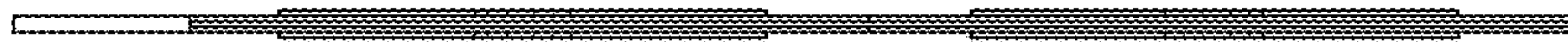


FIG. 4



FIG. 5

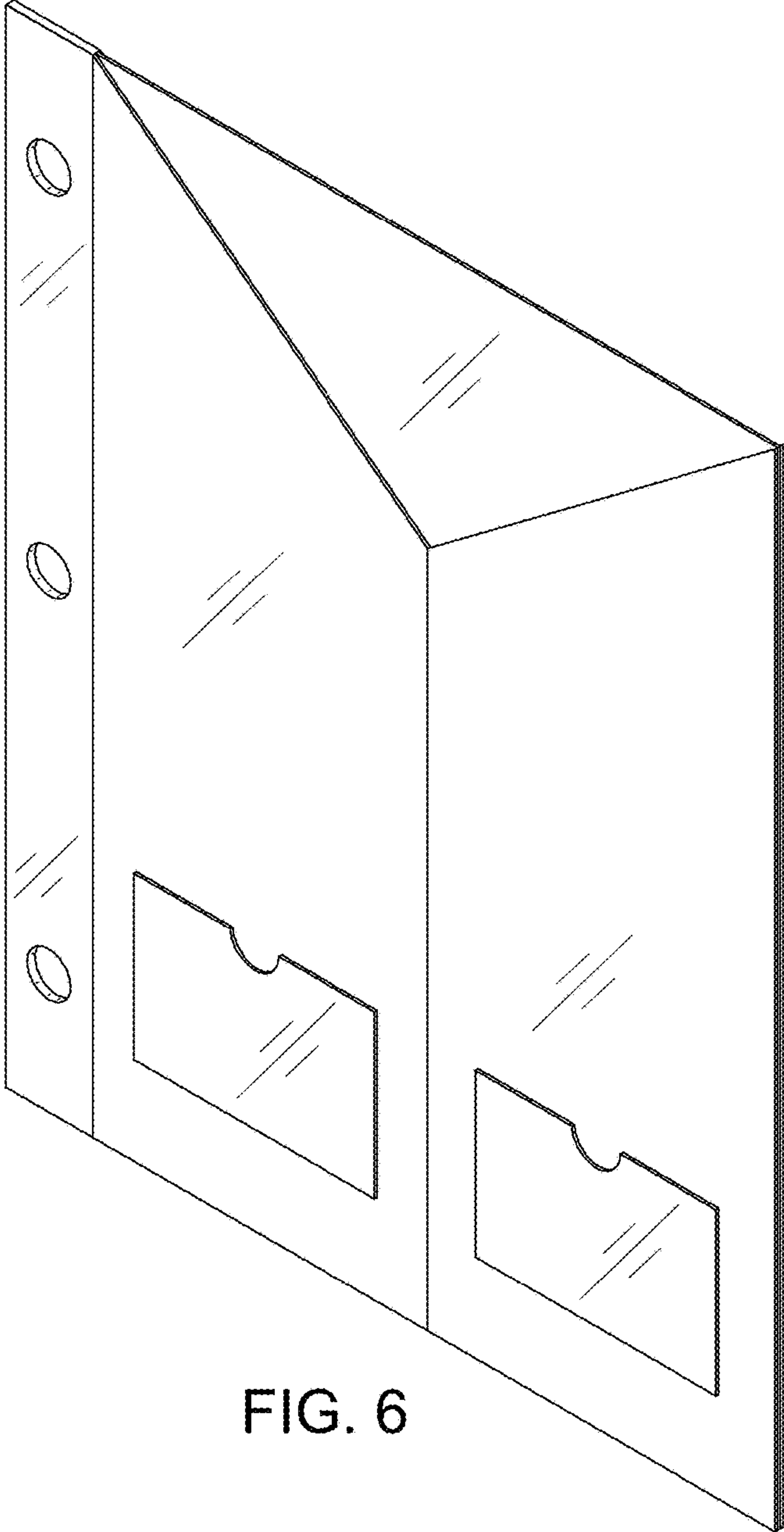


FIG. 6