



US00D845387S

(12) **United States Design Patent** (10) **Patent No.:** **US D845,387 S**
Mills et al. (45) **Date of Patent:** **** *Apr. 9, 2019**

(54) **PAYMENT CARD**

- (71) Applicant: **Capital One Services, LLC**, McLean, VA (US)
- (72) Inventors: **Brian R. Mills**, Richmond, VA (US);
Carl Pierce, Philadelphia, PA (US)
- (73) Assignee: **CAPITAL ONE SERVICES, LLC**, McLean, VA (US)

(*) Notice: This patent is subject to a terminal disclaimer.

(**) Term: **15 Years**

(21) Appl. No.: **29/596,806**

(22) Filed: **Mar. 10, 2017**

(51) **LOC (11) Cl.** **19-01**

(52) **U.S. Cl.**
USPC **D19/9**

(58) **Field of Classification Search**
 USPC D19/1-10, 20-34; 40/124.01-124.15,
 40/661, 776, 726; 283/72, 75-76,
 283/105-107, 82, 70, 904, 74; 206/449;
 D21/385; D20/10-11, 22, 27, 40, 42;
 360/2; 235/380, 382
 CPC B42D 15/00; B42D 15/022; B42D 15/027;
 B42D 15/045; B42D 15/047; B42D
 25/00; B42D 25/20; B42D 25/23; B42D
 25/26; B42D 25/29; B42D 25/30; B42D
 25/40; B42D 25/22; B42D 2033/02;
 B42D 2033/04; B42D 2033/08; B42D
 2033/10; B42D 2033/16; B42D 2033/18;
 B42D 2033/20; B42D 2033/28; B42D
 2033/30

See application file for complete search history.

(56) **References Cited**

U.S. PATENT DOCUMENTS

- D480,754 S 10/2003 Berger
- D490,103 S * 5/2004 Rangel D19/10

(Continued)

OTHER PUBLICATIONS

- Design U.S. Appl. No. 29/596,817, filed Mar. 10, 2017.
- Design U.S. Appl. No. 29/527,734, filed May 21, 2015.
- Design U.S. Appl. No. 29/584,795, filed Nov. 17, 2016.

Primary Examiner — Abraham Bahta

(74) *Attorney, Agent, or Firm* — Finnegan, Henderson, Farabow, Garrett & Dunner LLP

(57) **CLAIM**

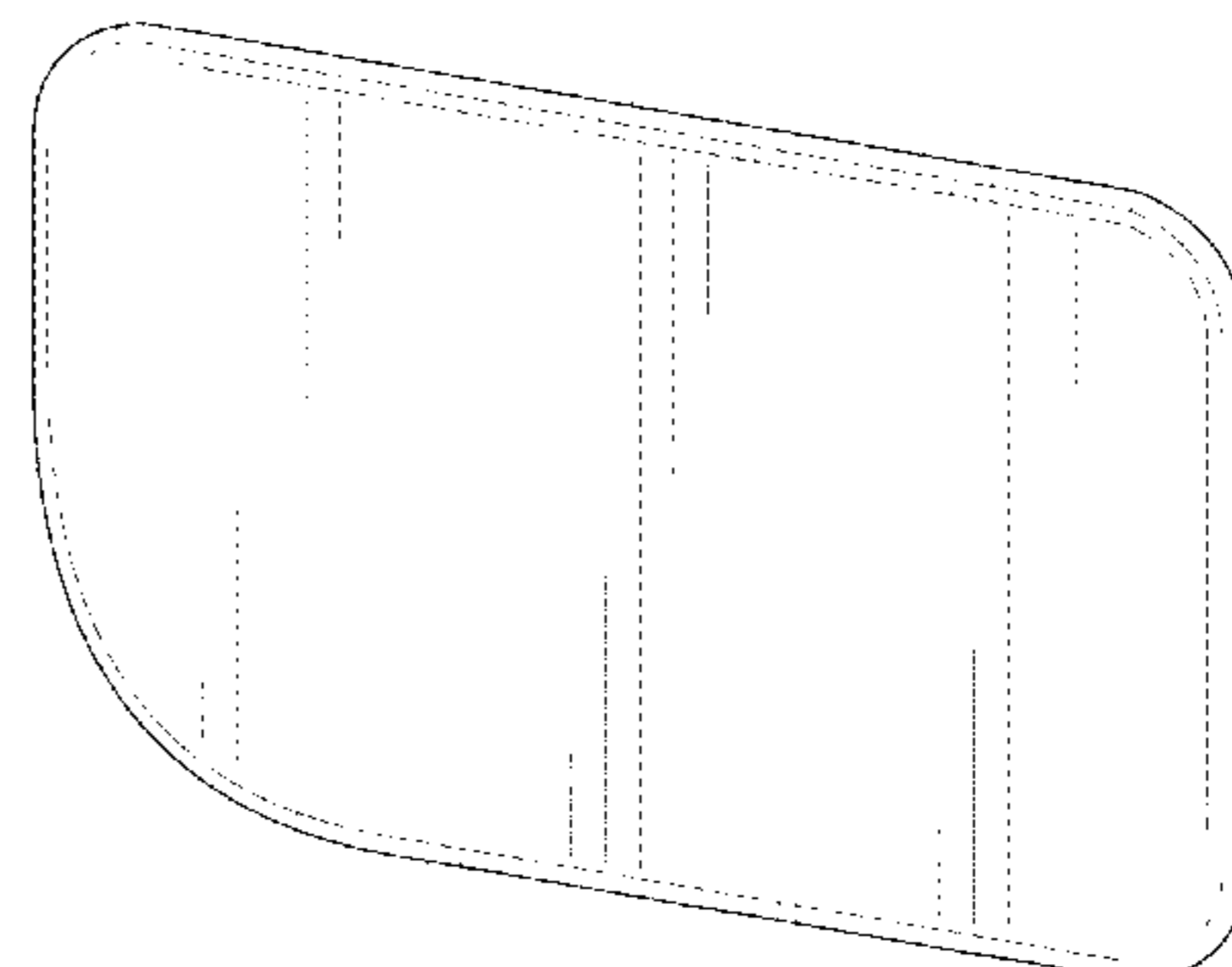
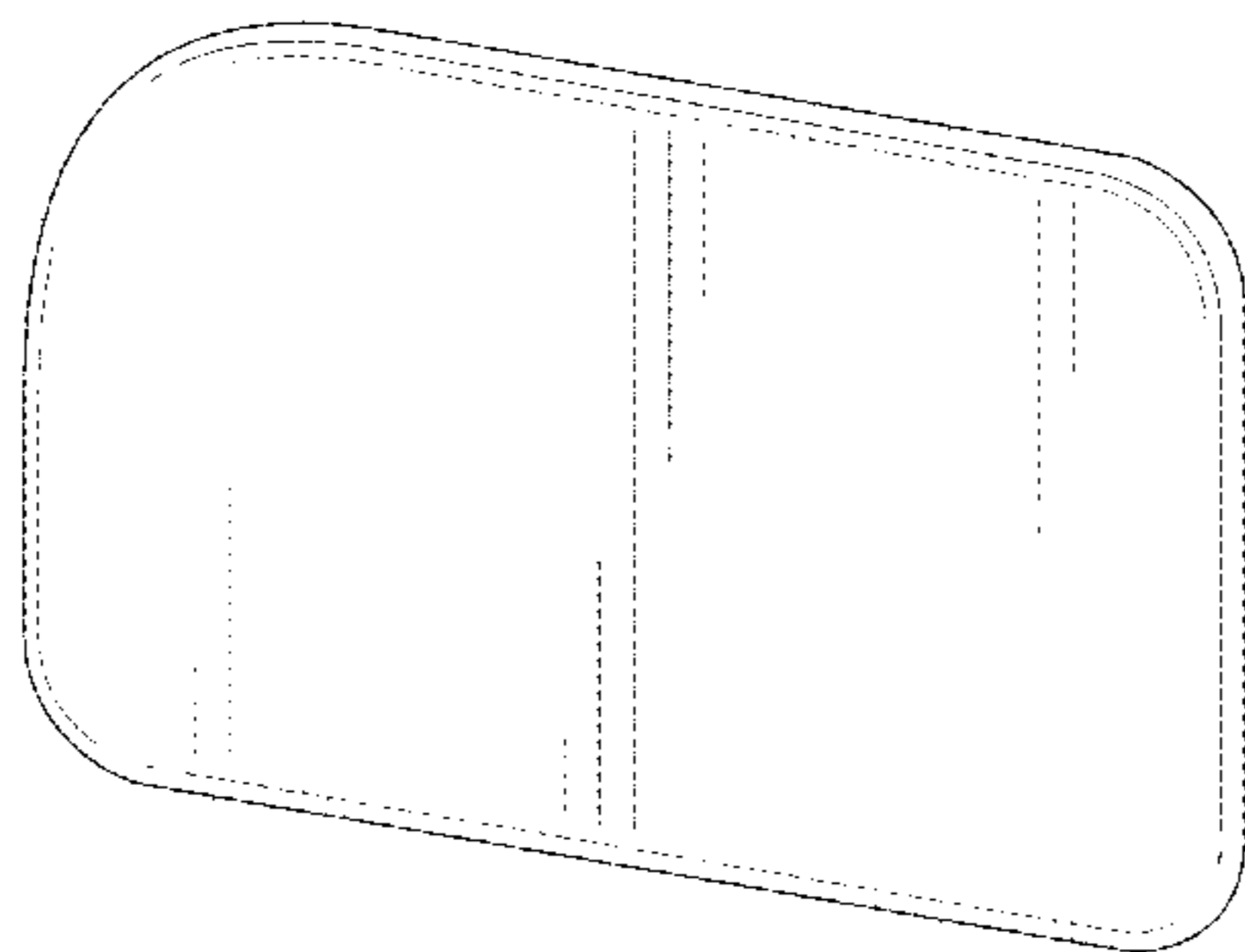
The ornamental design for a payment card, as shown and described.

DESCRIPTION

FIG. 1 is a front right perspective view of a first embodiment of a payment card showing our new design; FIG. 2 is a rear left perspective view thereof; FIG. 3 is a front elevation view thereof; FIG. 4 is a rear elevation view thereof; FIG. 5 is a top plan view thereof; FIG. 6 is a right side view thereof; FIG. 7 is a left side view thereof; FIG. 8 is an enlarged, detailed view of the top view, as shown in FIG. 5; FIG. 9 is a front right perspective view of a second embodiment of a payment card showing our new design; FIG. 10 is a rear left perspective view thereof; FIG. 11 is a front elevation view thereof; FIG. 12 is a rear elevation view thereof; FIG. 13 is a top plan view thereof; FIG. 14 is a right side view thereof; FIG. 15 is a left side view thereof; and, FIG. 16 is an enlarged, detailed view of the top view, as shown in FIG. 13.

The shape of the edge of the payment card illustrated in FIGS. 8 and 16 is consistent around the perimeter of the top, right, left, and bottom sides of the payment card in both embodiments. The broken lines shown in the drawings form no part of the claimed design.

1 Claim, 16 Drawing Sheets



(56)

References Cited

U.S. PATENT DOCUMENTS

D510,384 S	*	10/2005	Allen	D19/10
D559,905 S		1/2008	Halbur et al.	
D568,388 S		5/2008	Hammad	
D569,425 S		5/2008	Law et al.	
D571,856 S		6/2008	Hammad et al.	
D575,332 S		8/2008	Parker et al.	
D599,849 S		9/2009	Halbur et al.	
D624,962 S		10/2010	Lazarowicz et al.	
D634,780 S		3/2011	Schumann	
D690,767 S		10/2013	Lindley	
D724,660 S		3/2015	Sippola et al.	
D779,591 S		2/2017	Cepress	

* cited by examiner

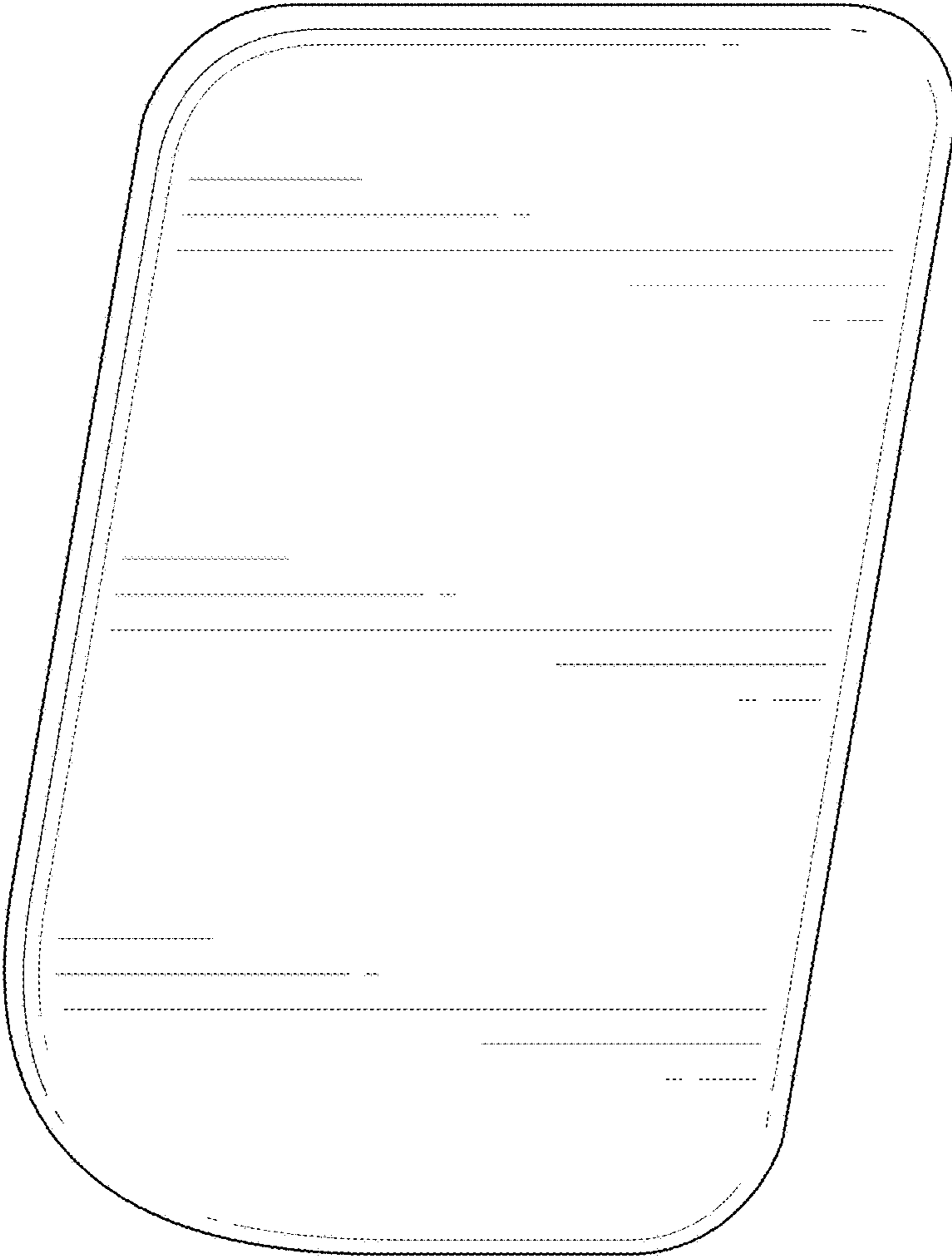


FIG. 1

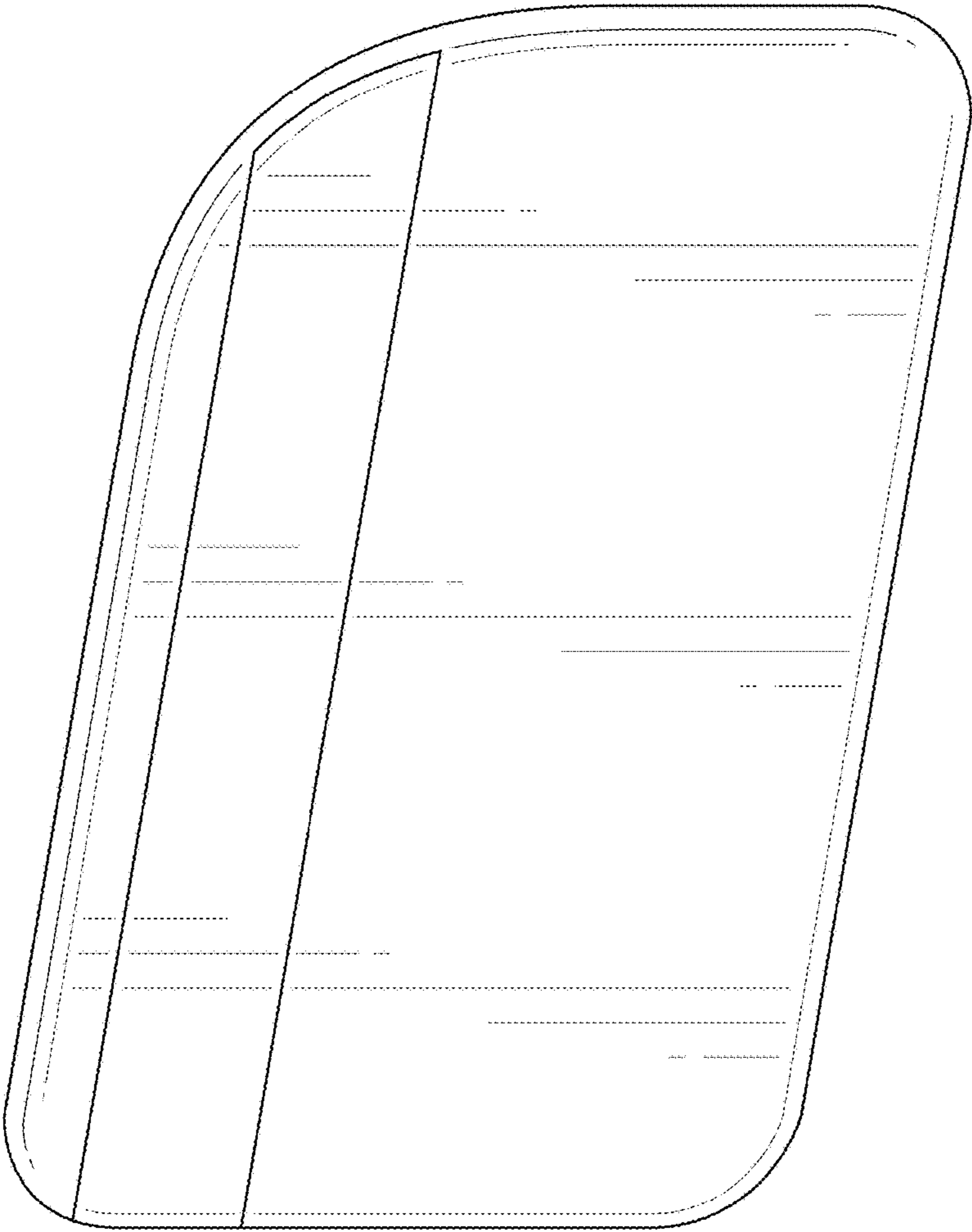


FIG. 2

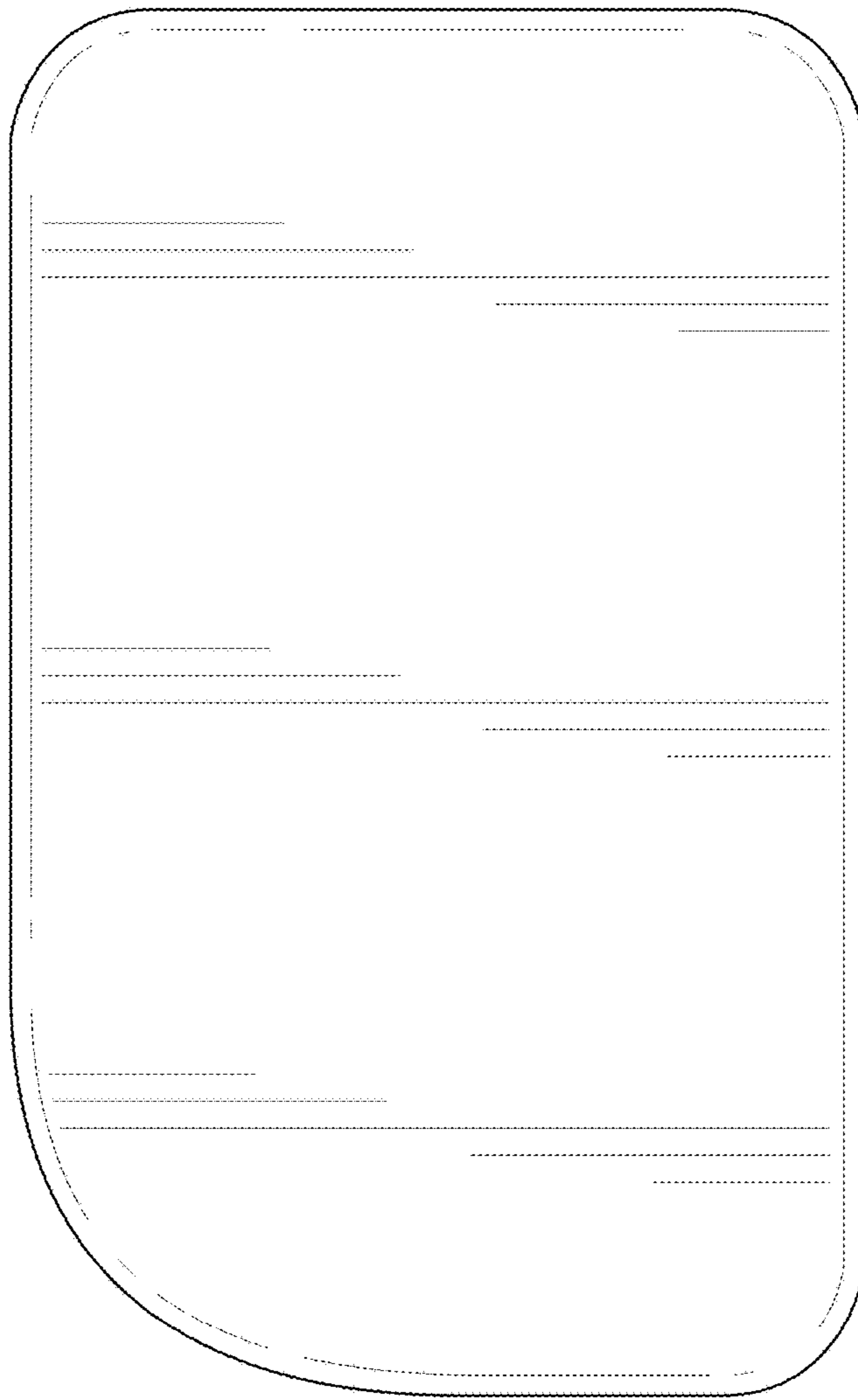


FIG. 3

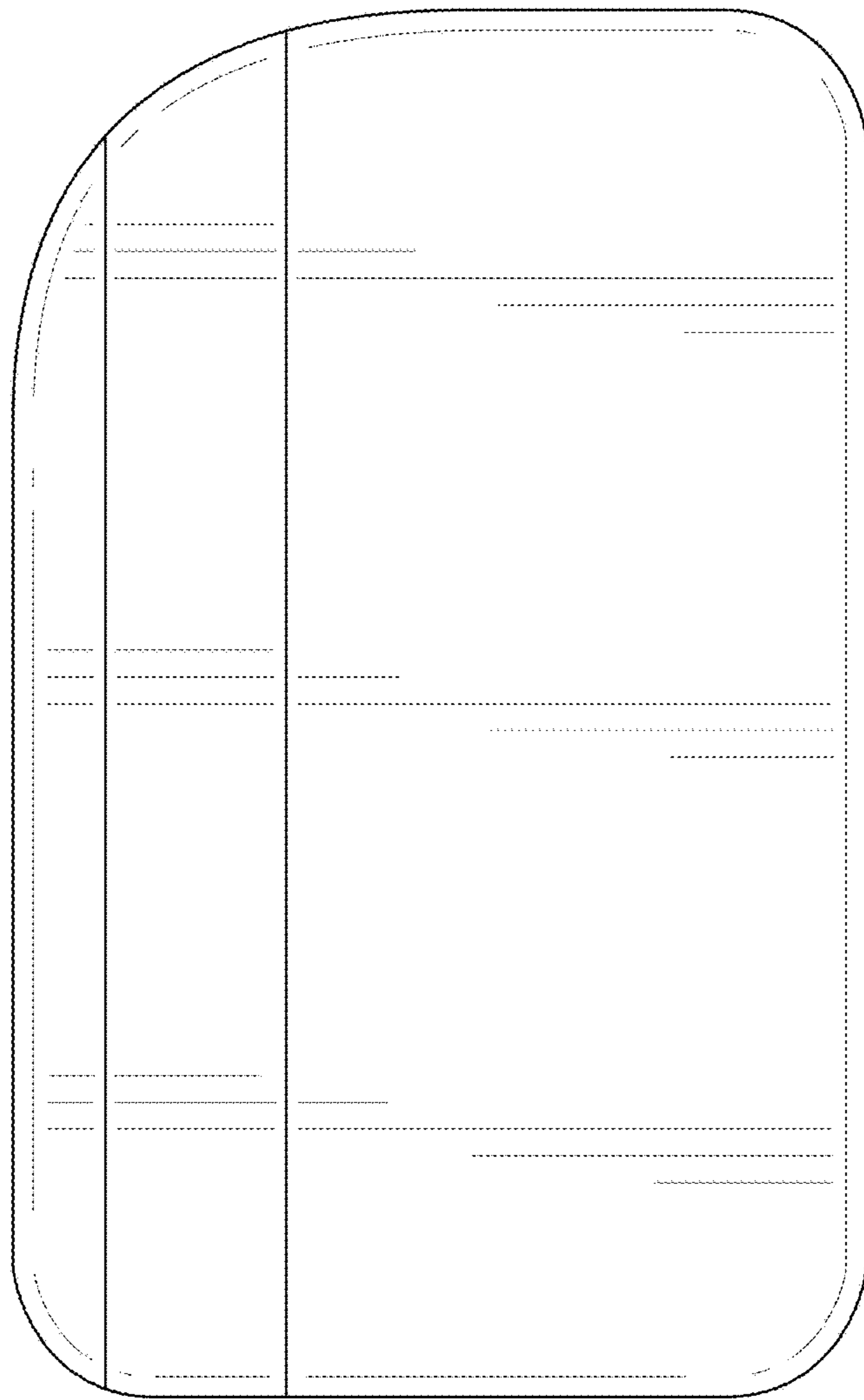


FIG. 4

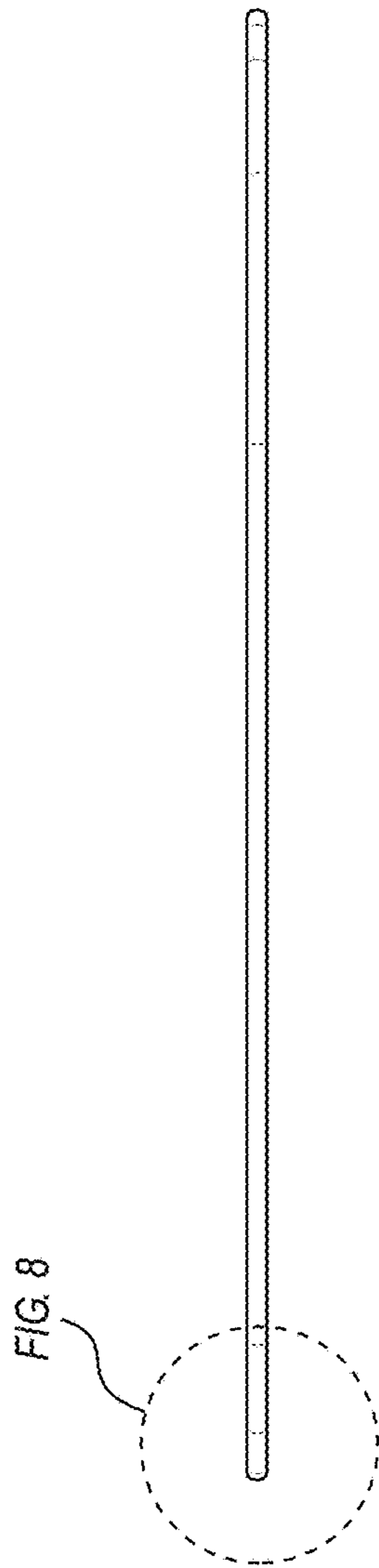


FIG. 8

FIG. 5

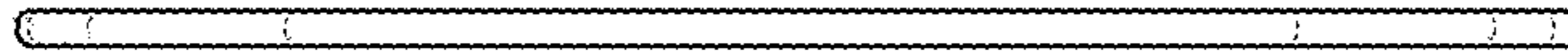


FIG. 6

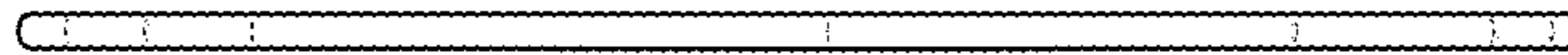


FIG. 7

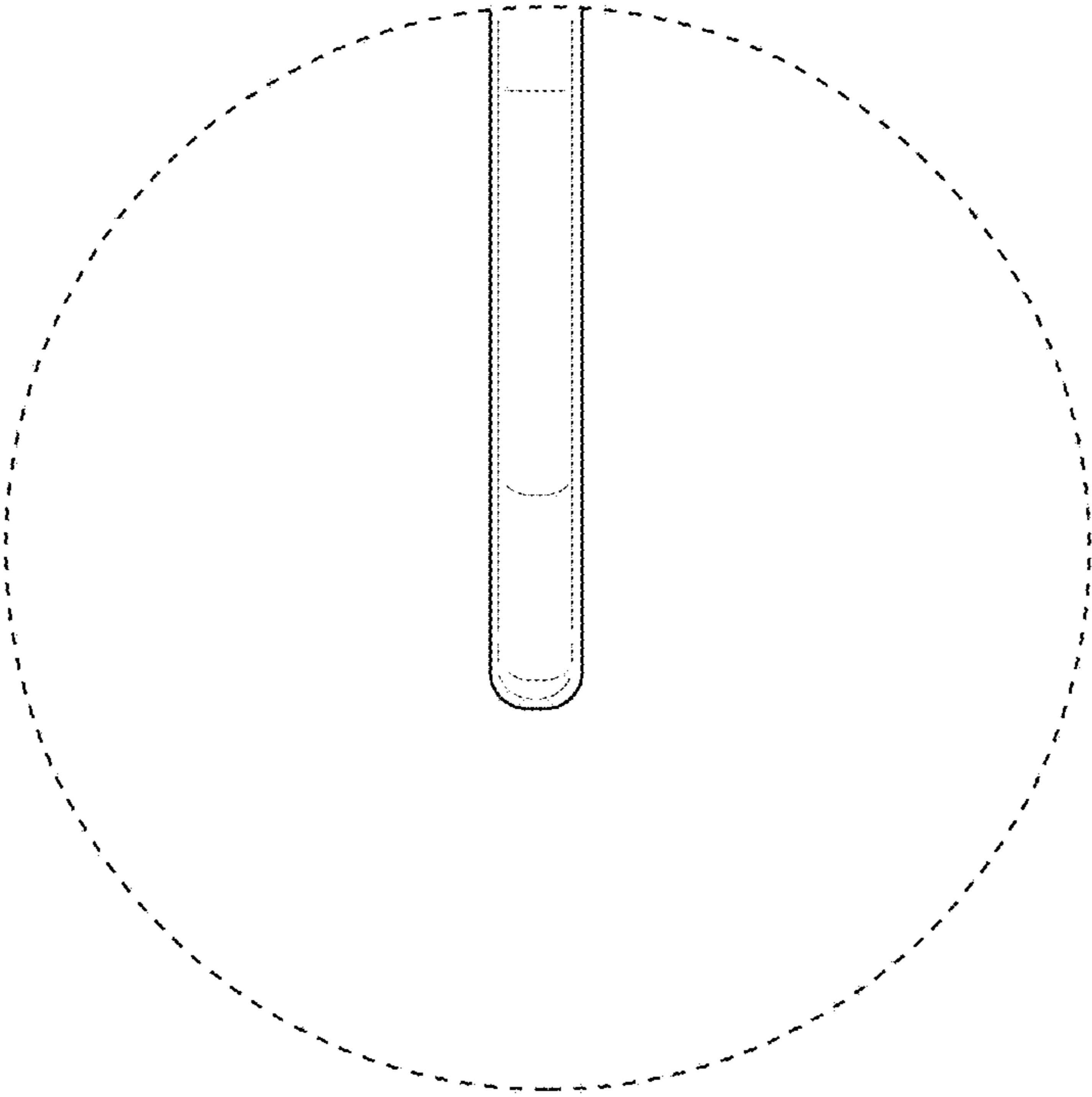


FIG. 8

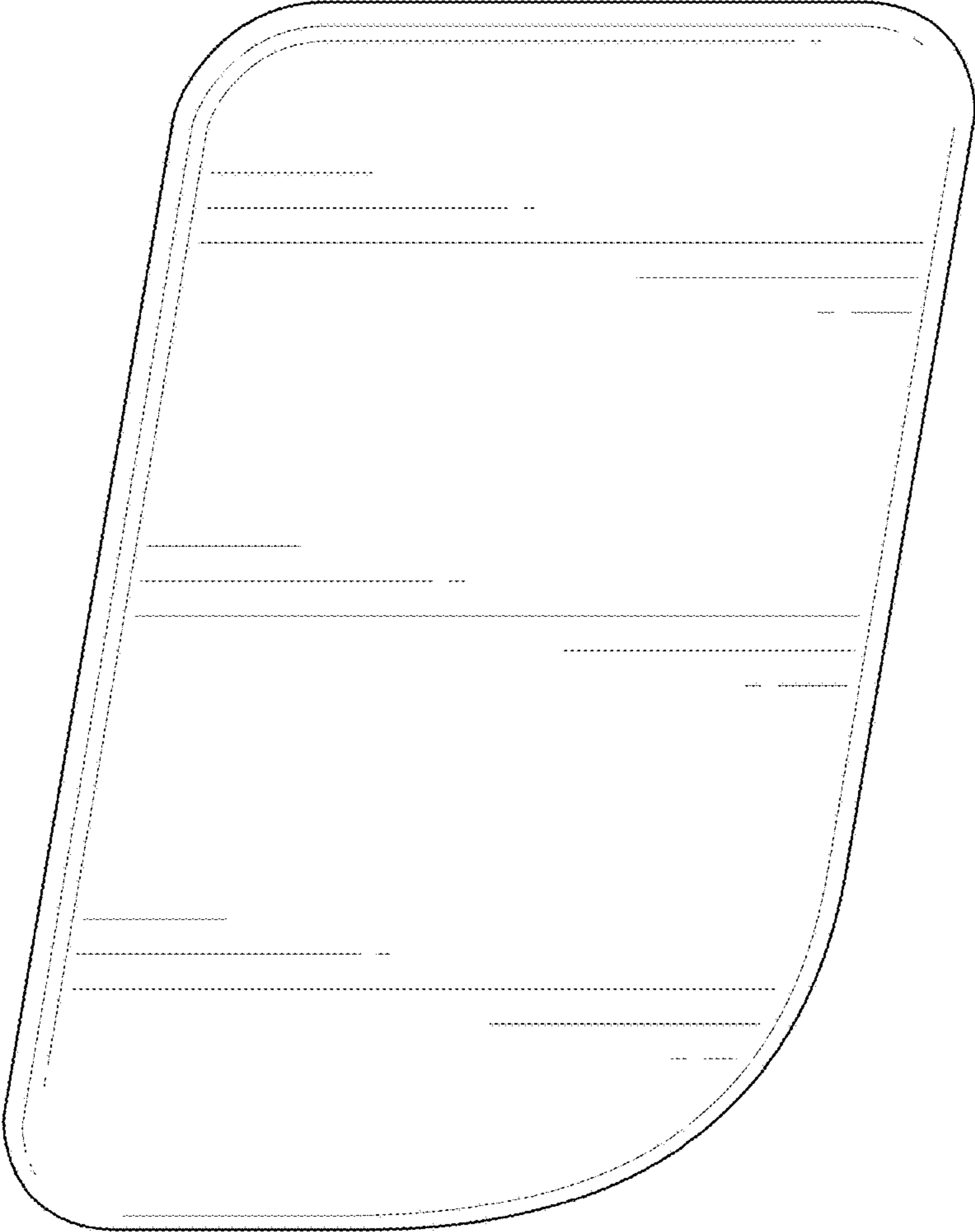


FIG. 9

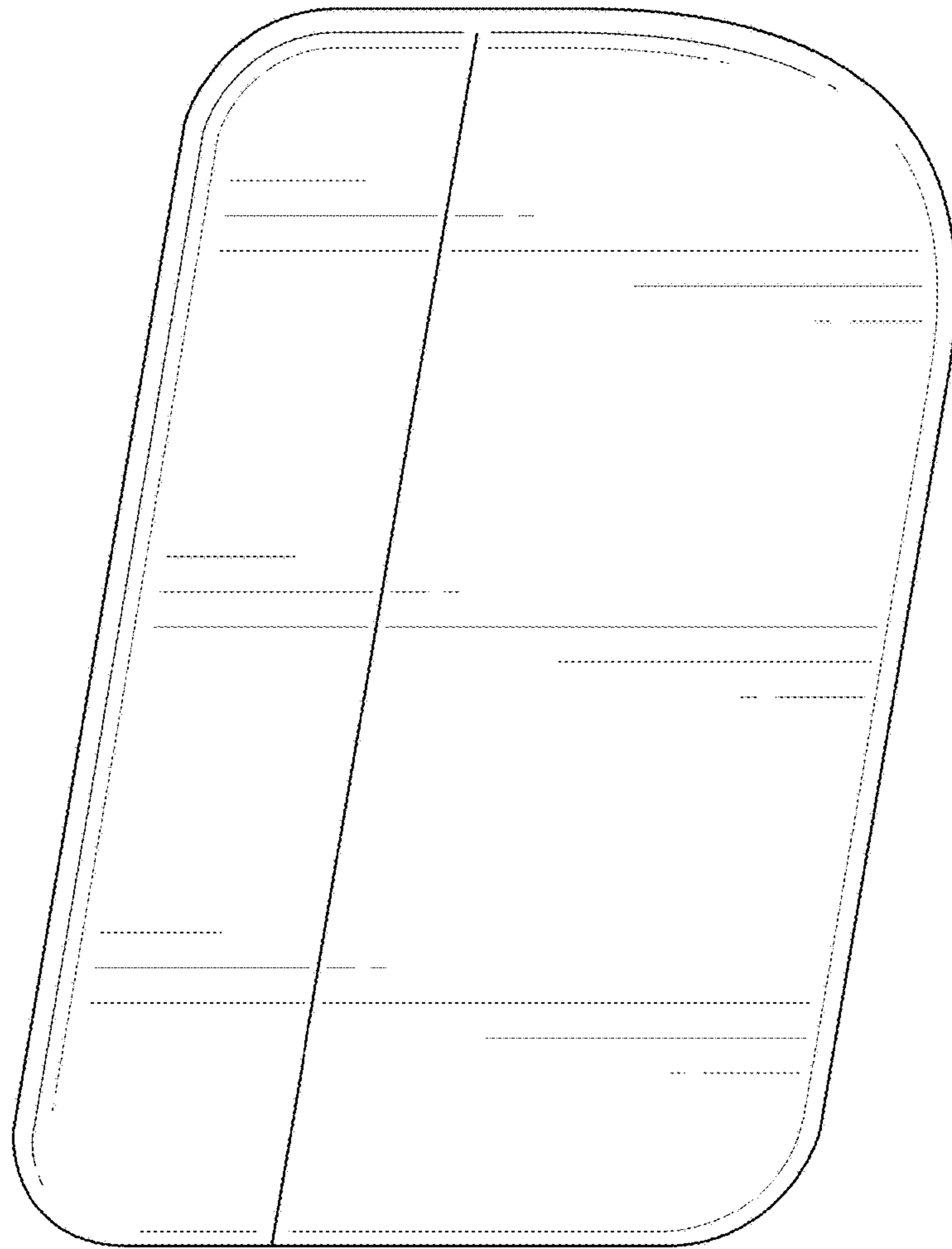


FIG. 10

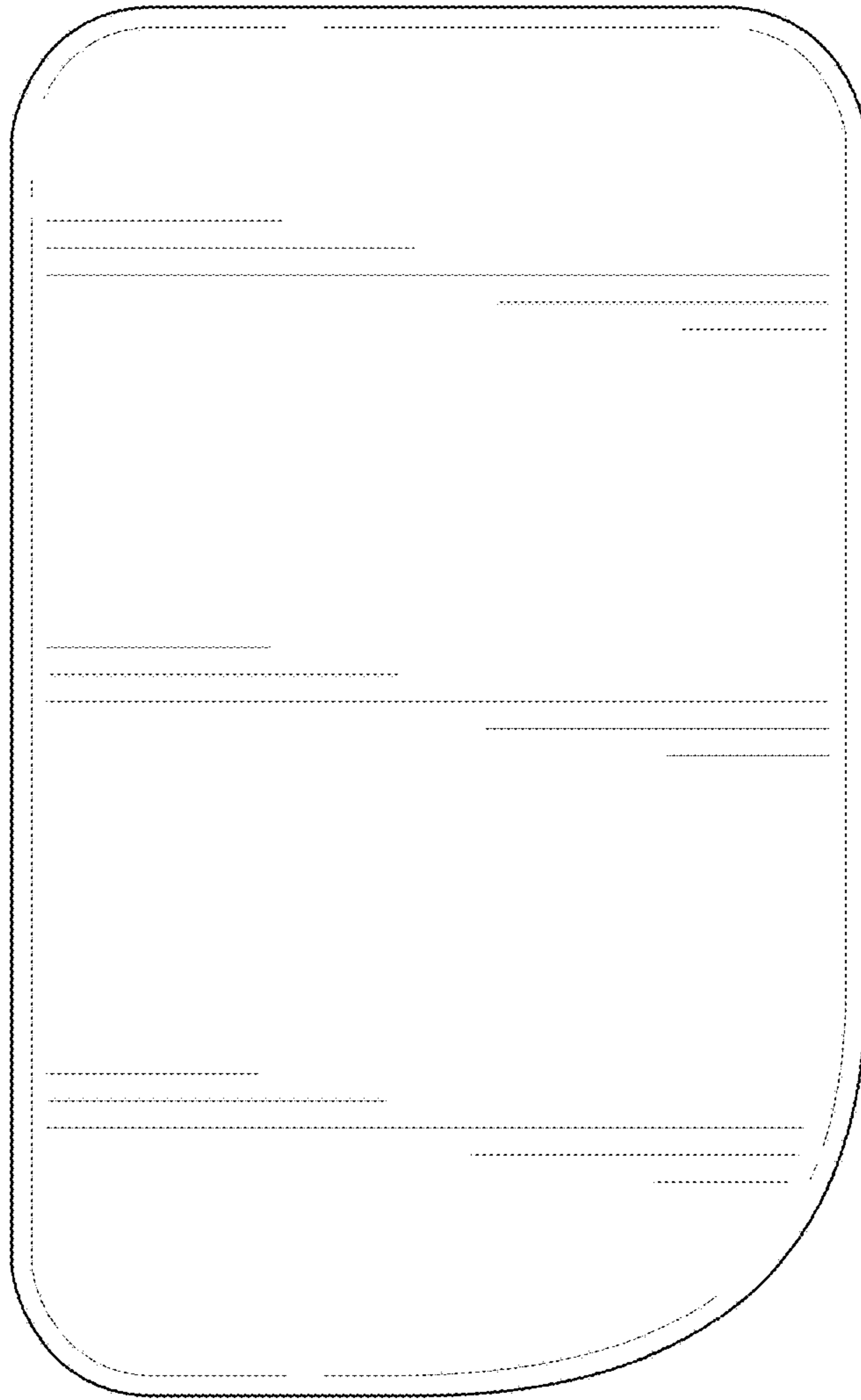


FIG. 11

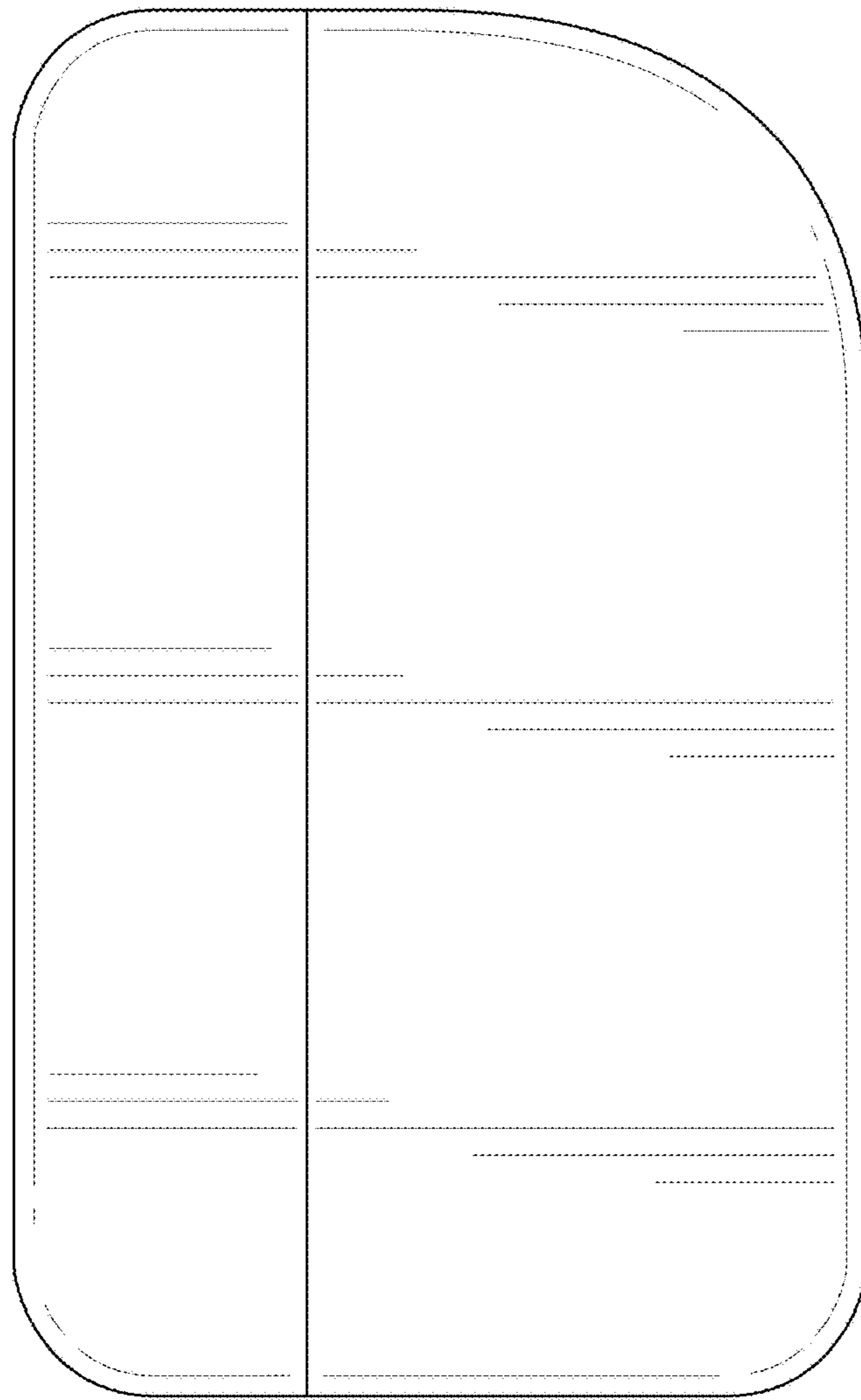


FIG. 12

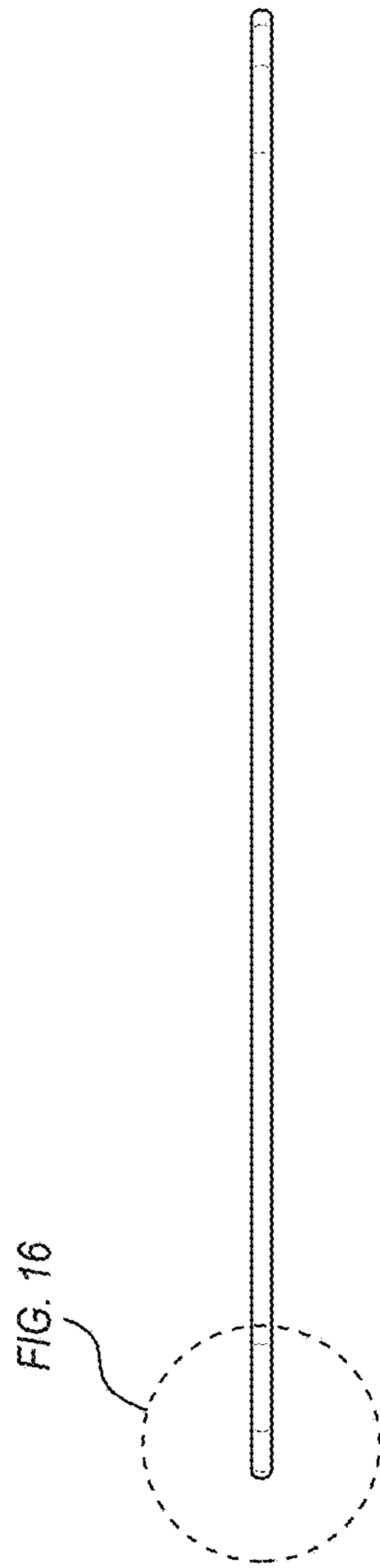


FIG. 13

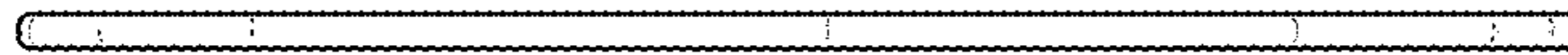


FIG. 14

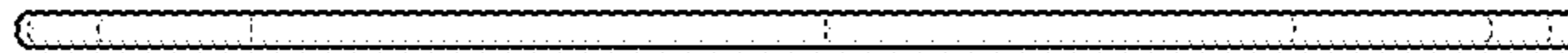


FIG. 15

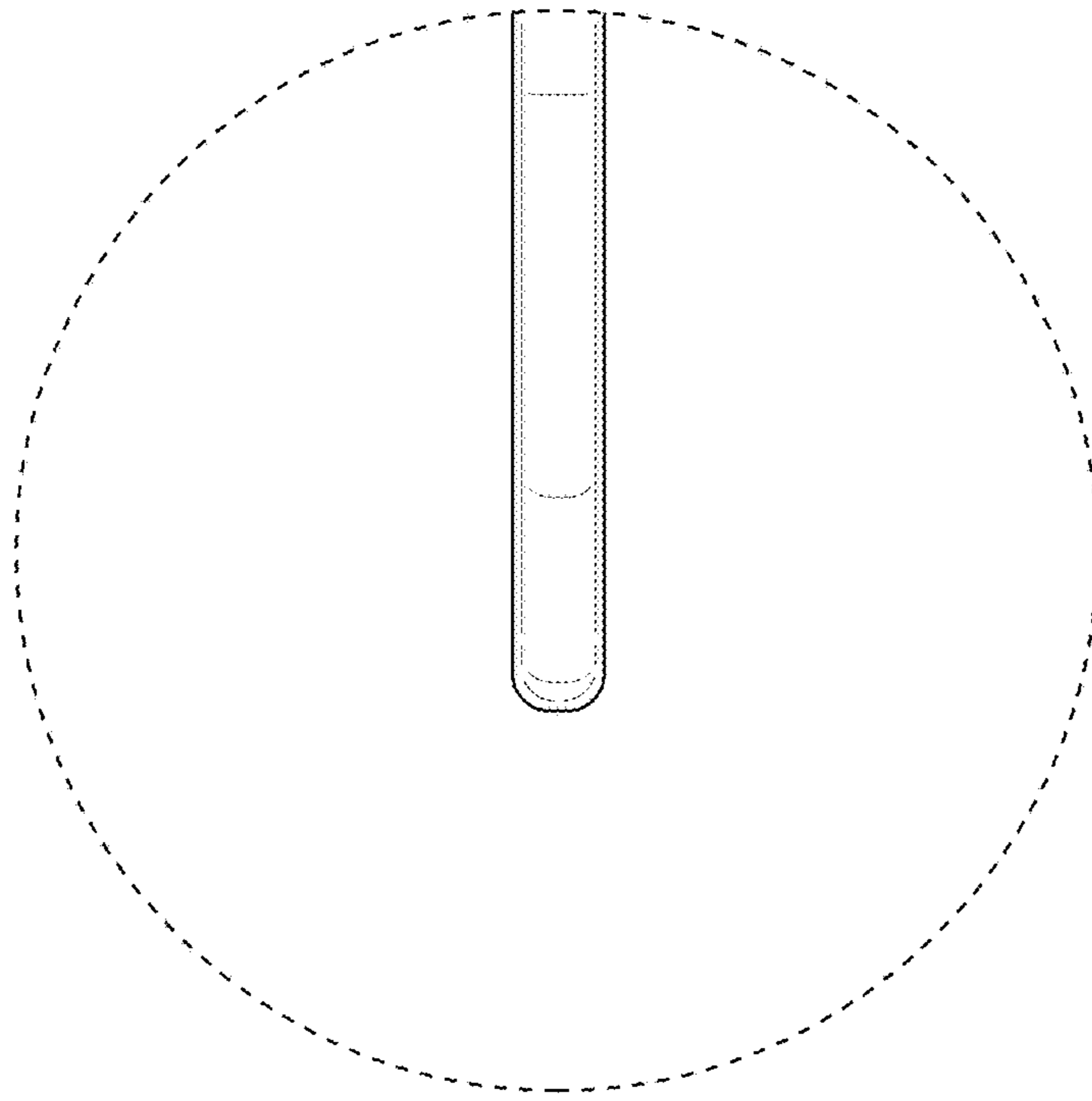


FIG. 16