



US00D845385S

(12) **United States Design Patent**  
**Cesar et al.**

(10) **Patent No.:** **US D845,385 S**

(45) **Date of Patent:** **\*\* Apr. 9, 2019**

(54) **PRINTER**

D757,170 S \* 5/2016 Rafa ..... D18/53  
D799,569 S \* 10/2017 Cesar ..... D15/122  
2010/0059920 A1\* 3/2010 Kern ..... B65H 1/025  
271/2

(71) Applicant: **Hewlett-Packard Development Company, L.P.**, Houston, TX (US)

(72) Inventors: **Javier Alfonso Cesar**, Houston, TX (US); **Aviv Hassidov**, Houston, TX (US)

(73) Assignee: **Hewlett-Packard Development Company, L.P.**, Spring, TX (US)

(\*\*) Term: **15 Years**

(21) Appl. No.: **29/568,934**

(22) Filed: **Jun. 22, 2016**

(51) **LOC (11) Cl.** ..... **14-02**

(52) **U.S. Cl.**  
USPC ..... **D18/53**

(58) **Field of Classification Search**  
USPC ..... D18/53, 50, 54, 56, 59, 36, 38, 39, 40, D18/41, 45, 34.4, 34.5, 34.6; D14/301, D14/307  
CPC .... G06K 15/12; G06K 15/14; H04N 1/00204; H04N 1/00249; H04N 1/00278; B41J 3/00; B41J 3/28; B41J 3/445; B41J 3/46  
See application file for complete search history.

(56) **References Cited**

**U.S. PATENT DOCUMENTS**

D125,292 S \* 2/1941 Shell ..... D6/661.3  
D366,061 S \* 1/1996 Likins ..... D18/53  
D368,435 S \* 4/1996 Caamano ..... D10/63  
D455,456 S \* 4/2002 Angelbeck ..... D18/57  
D619,166 S \* 7/2010 Ishizawa ..... D18/53  
D621,442 S \* 8/2010 Kachi ..... D18/39  
D650,417 S \* 12/2011 Brown ..... D18/53  
D673,212 S \* 12/2012 Okamoto ..... D18/53  
D723,100 S \* 2/2015 Minagawa ..... D18/53

**FOREIGN PATENT DOCUMENTS**

CN 302092517 \* 9/2012

**OTHER PUBLICATIONS**

YouTube. <URL: <https://www.youtube.com/watch?v=eVcmZKDEYVw>> Jun. 2, 2013. HP industrial printer.\*  
Metals Depot. <URL: <https://www.metalsdepot.com/aluminum-products/aluminum-diamond-plate>> Visited Oct. 24, 2017. Aluminum Diamond Tread Plates.\*

\* cited by examiner

*Primary Examiner* — Thomas Johannes

*Assistant Examiner* — Lauren D McVey

(74) *Attorney, Agent, or Firm* — Foley & Lardner LLP

(57) **CLAIM**

We claim the ornamental design for a printer, as shown and described.

**DESCRIPTION**

FIG. 1 is a top, front, right perspective view of a printer, showing our new design;

FIG. 2 is a top, front, left perspective view thereof;

FIG. 3 is a front elevation view thereof;

FIG. 4 is a rear elevation view thereof;

FIG. 5 is a top plan view thereof;

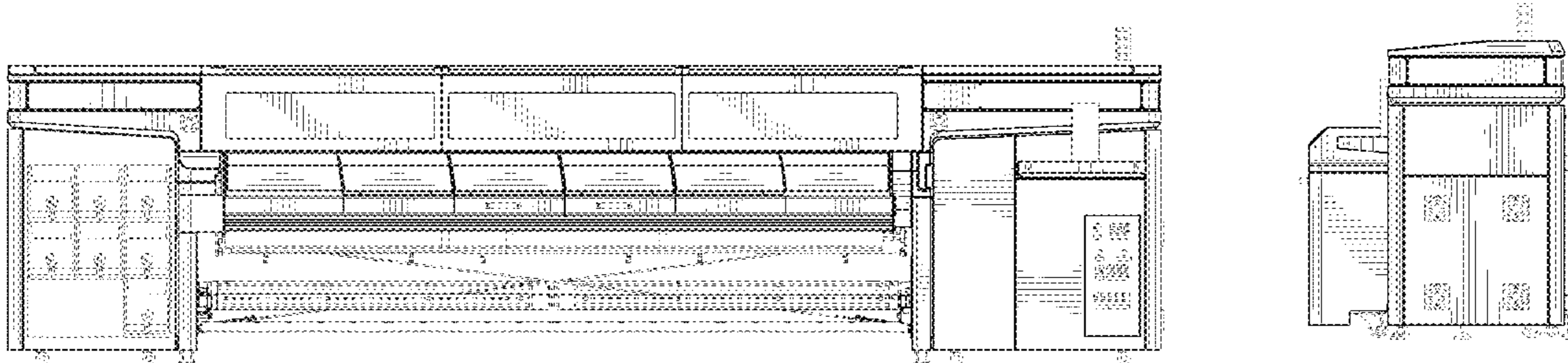
FIG. 6 is a bottom plan view thereof;

FIG. 7 is a right side elevation view thereof; and,

FIG. 8 is a left side elevation view thereof.

The broken lines immediately adjacent to the claim represent the bounds of the claimed design, while all other broken lines are directed to environment; the broken lines form no part of the claimed design.

**1 Claim, 8 Drawing Sheets**



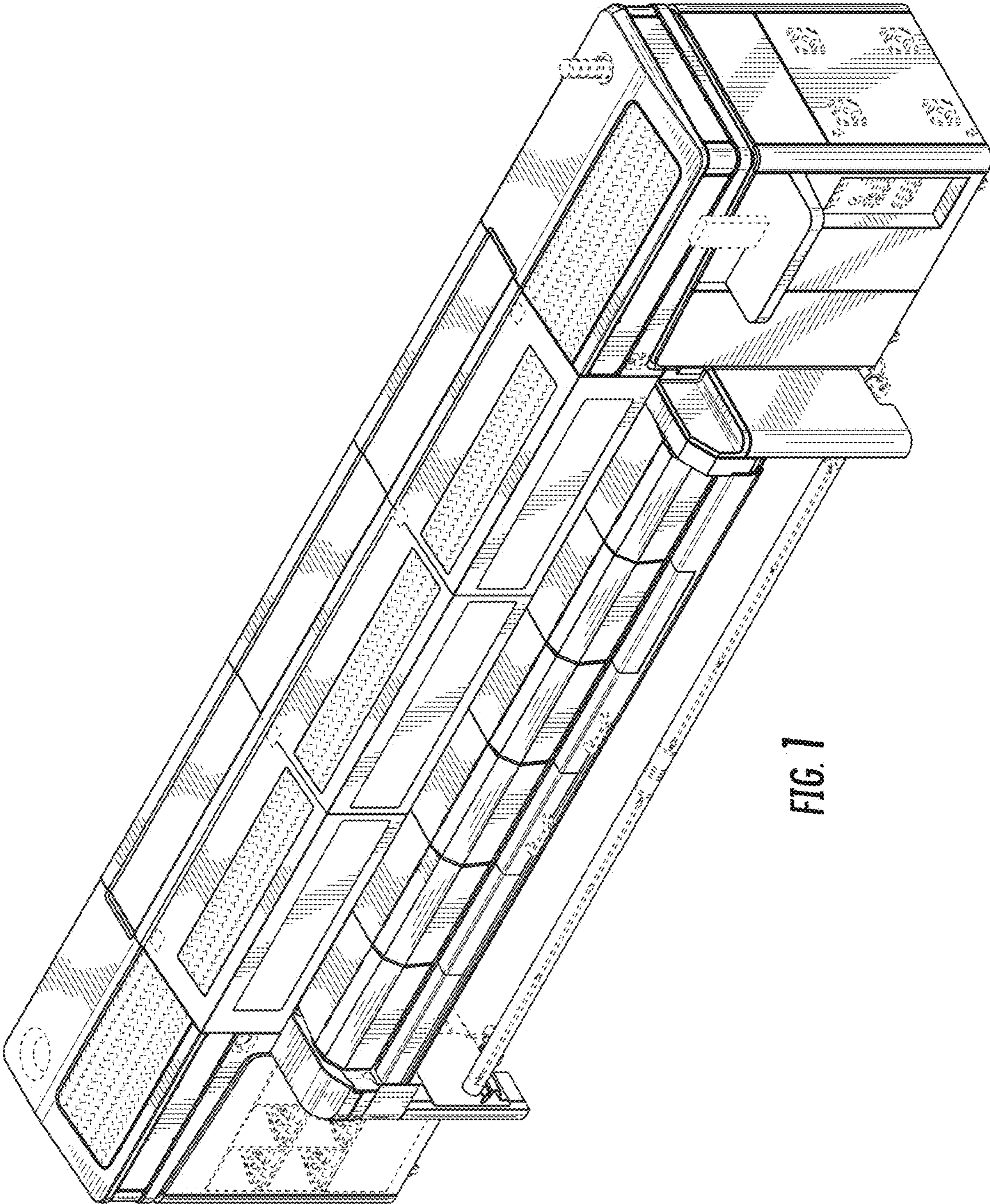


FIG. 1

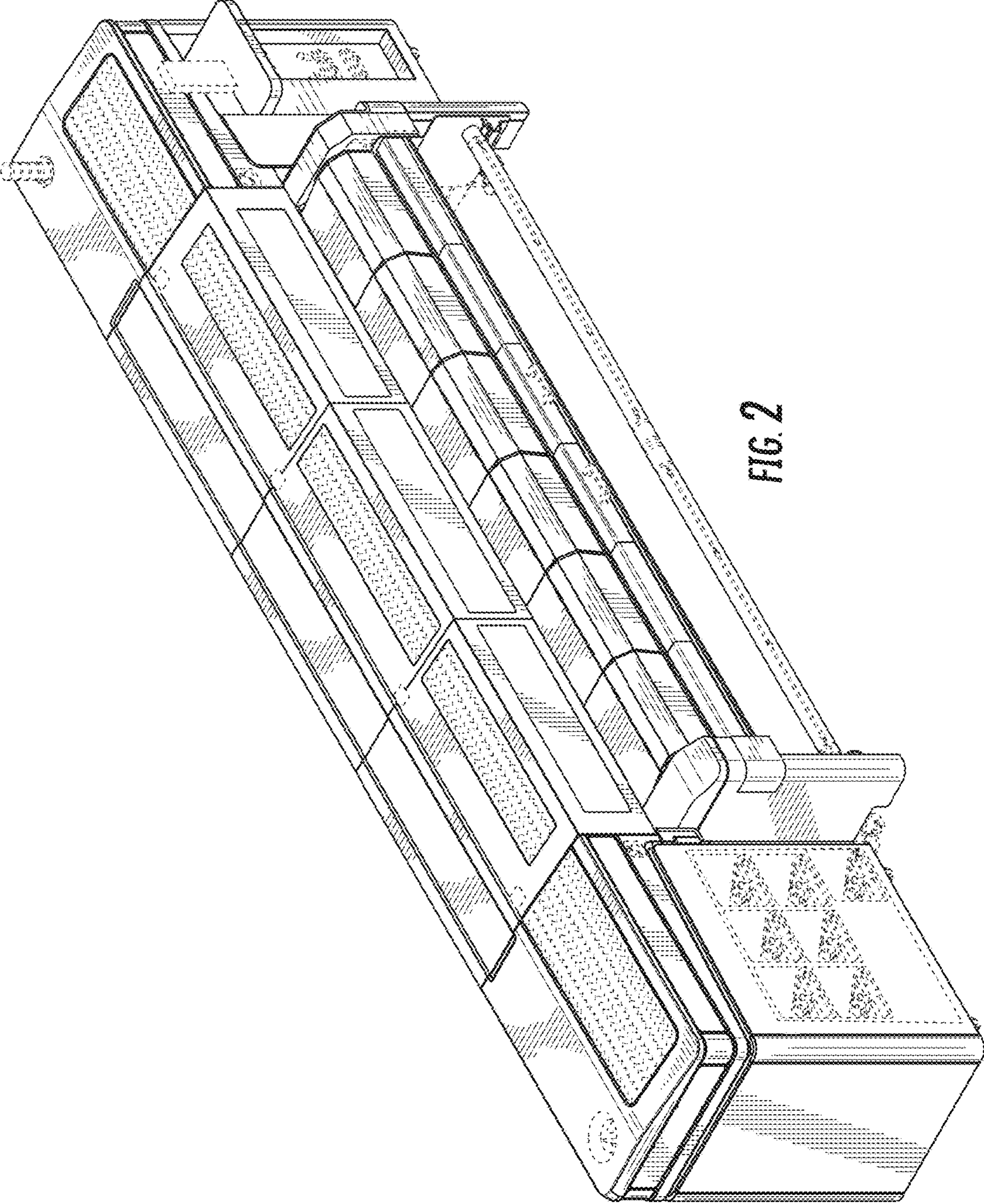


FIG. 2

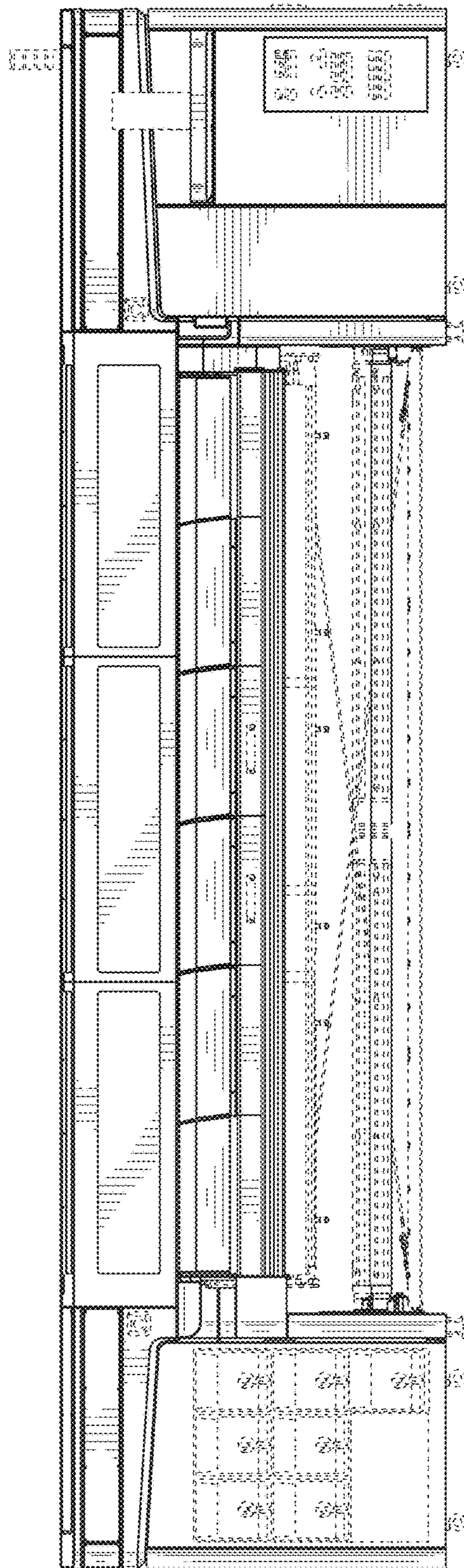


FIG. 3

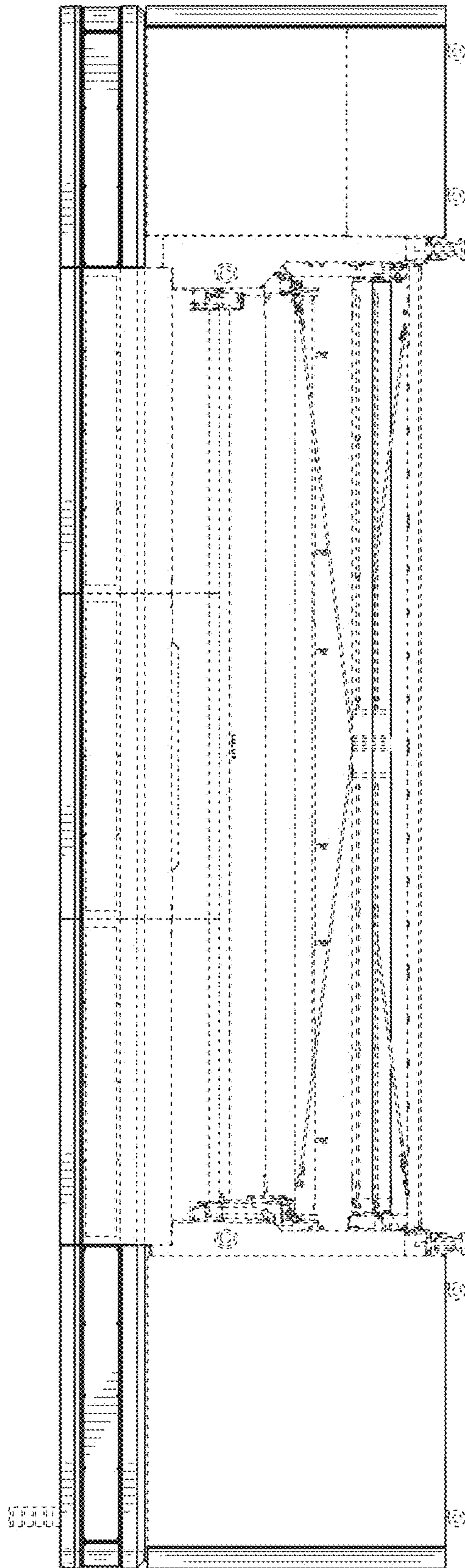


FIG. 4

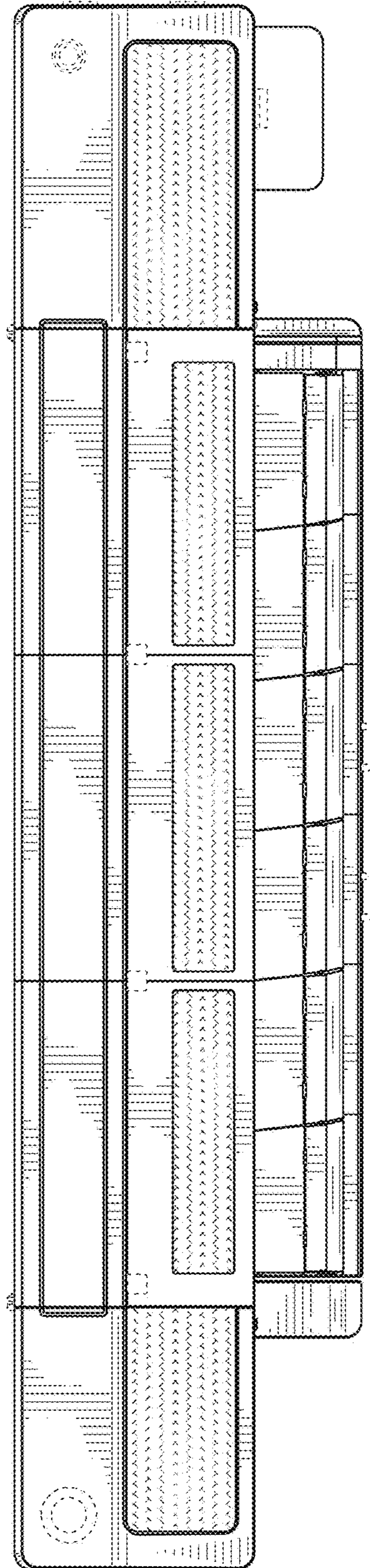


FIG. 5

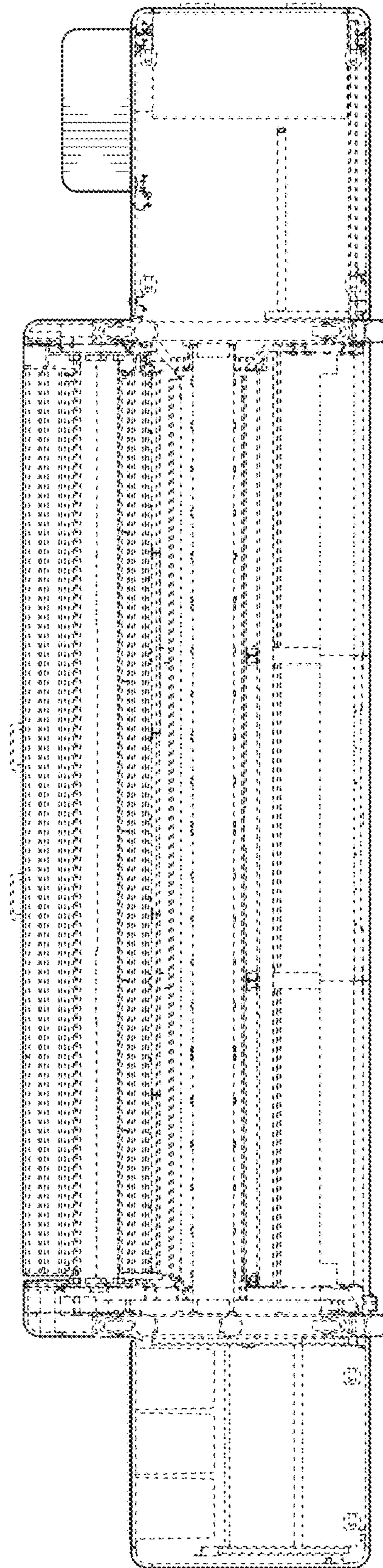
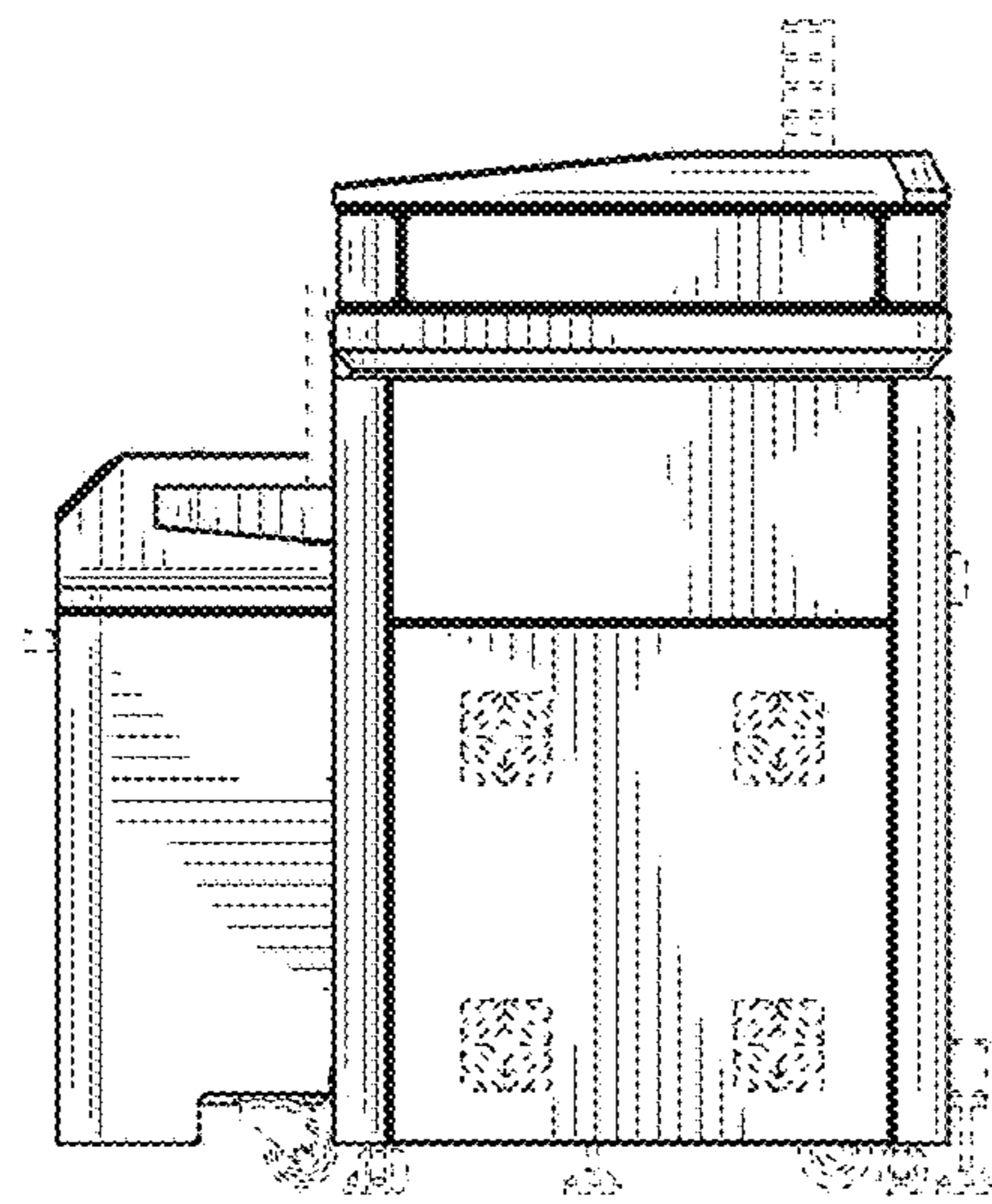
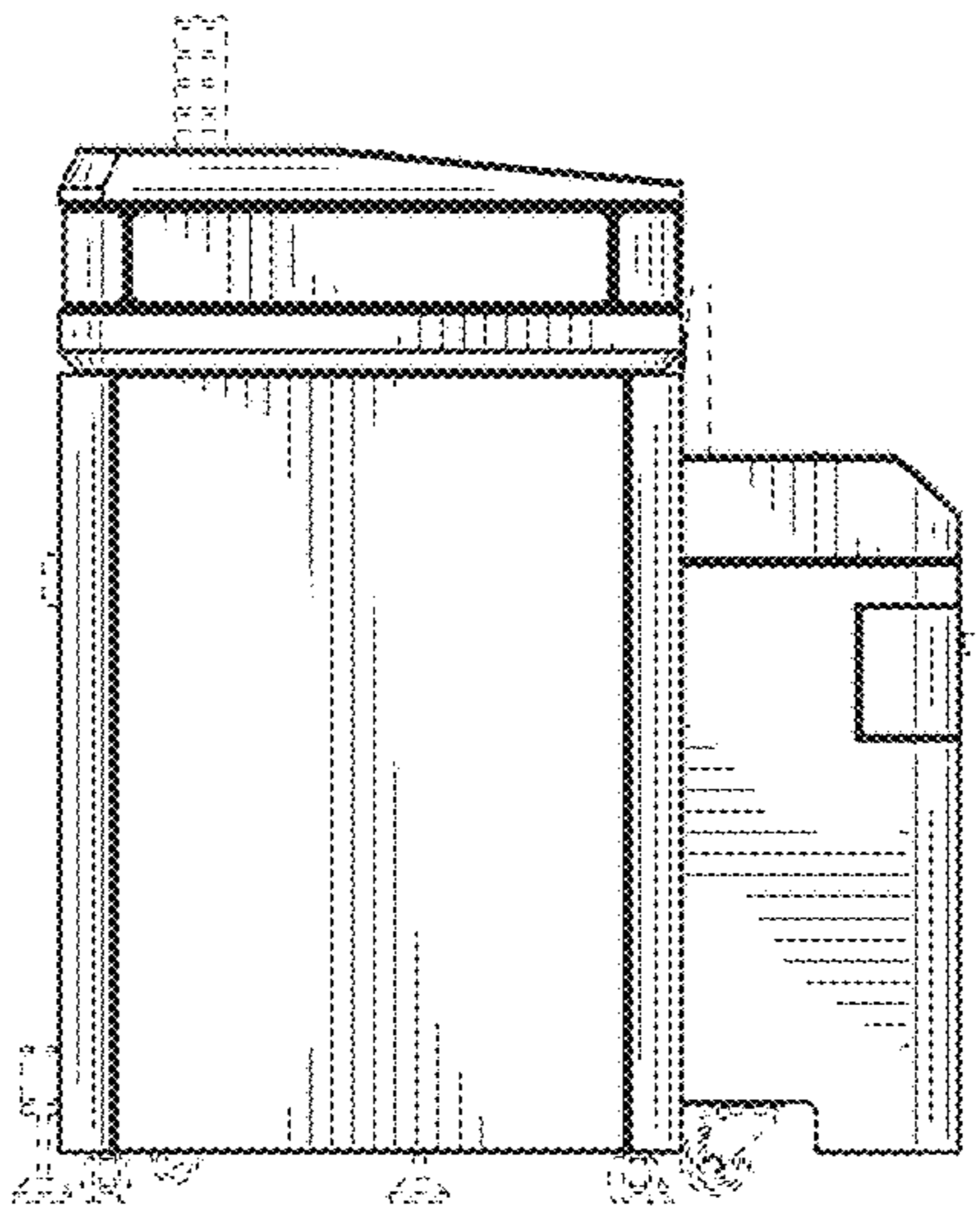


FIG. 6



**FIG. 7**





**FIG. 8**