



US00D845384S

(12) **United States Design Patent** (10) **Patent No.:** **US D845,384 S**
Oguma et al. (45) **Date of Patent:** **** Apr. 9, 2019**

(54) **PROCESS CARTRIDGE FOR IMAGE FORMING APPARATUS**

(71) Applicant: **CANON KABUSHIKI KAISHA**, Tokyo (JP)
 (72) Inventors: **Toru Oguma**, Tokyo (JP); **Naoya Asanuma**, Tokyo (JP); **Tetsuya Numata**, Tokyo (JP); **Takuya Kawakami**, Tokyo (JP); **Yohei Kusano**, Tokyo (JP); **Daisuke Hiramatsu**, Tokyo (JP); **Takayuki Yada**, Tokyo (JP); **Takatoshi Hamada**, Tokyo (JP); **Go Torii**, Tokyo (JP); **Hiroaki Nosho**, Tokyo (JP)

(73) Assignee: **Canon Kabushiki Kaisha**, Tokyo (JP)

(**) Term: **15 Years**

(21) Appl. No.: **35/503,867**

(22) Filed: **Apr. 26, 2017**

(80) **Hague Agreement Data**
 Int. Filing Date: **Apr. 26, 2017**
 Int. Reg. No.: **DM/096355**
 Int. Reg. Date: **Apr. 26, 2017**
 Int. Reg. Pub. Date: **Oct. 27, 2017**

(30) **Foreign Application Priority Data**
 Oct. 31, 2016 (JP) 2016-023596

(51) **LOC (11) Cl.** **16-03**
 (52) **U.S. Cl.**
 USPC **D18/43**
 (58) **Field of Classification Search**
 USPC D18/40, 43; D14/462, 471
 CPC G03G 21/16; G03G 21/1814; G03G 15/0142; G03G 15/00; B41J 2/17503
 See application file for complete search history.

(56) **References Cited**

U.S. PATENT DOCUMENTS

D431,260 S *	9/2000	Kohno	D18/43
D531,661 S *	11/2006	Ishii	D18/43
D539,335 S *	3/2007	Jeon	D18/43
D550,764 S *	9/2007	Ishikawa	D18/43
D577,061 S *	9/2008	Kim	D18/43
D586,847 S *	2/2009	Han	D18/43
D588,191 S *	3/2009	Baek	D18/43
D600,276 S *	9/2009	Noh	D18/43
D614,691 S	4/2010	Abe et al.	
D620,522 S *	7/2010	Amano	D18/43
D632,731 S	2/2011	Abe et al.	
D636,813 S *	4/2011	Kikuchi	D18/43
D659,752 S *	5/2012	Okamoto	D18/43
D674,004 S *	1/2013	Shimomura	D18/43

(Continued)

FOREIGN PATENT DOCUMENTS

JP 2016099403 A 5/2016

Primary Examiner — Robert M. Spear
 (74) *Attorney, Agent, or Firm* — Venable LLP

(57) **CLAIM**

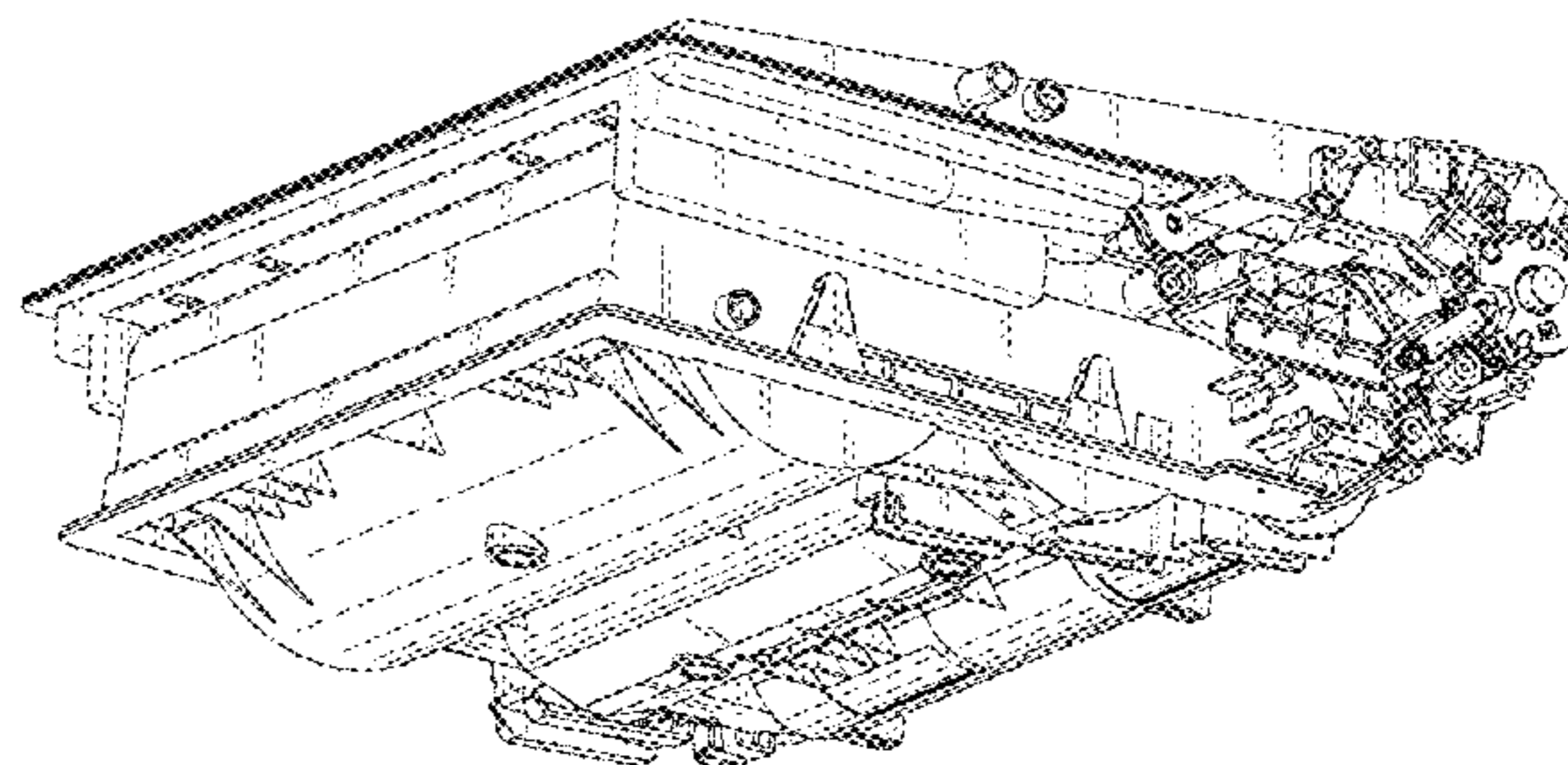
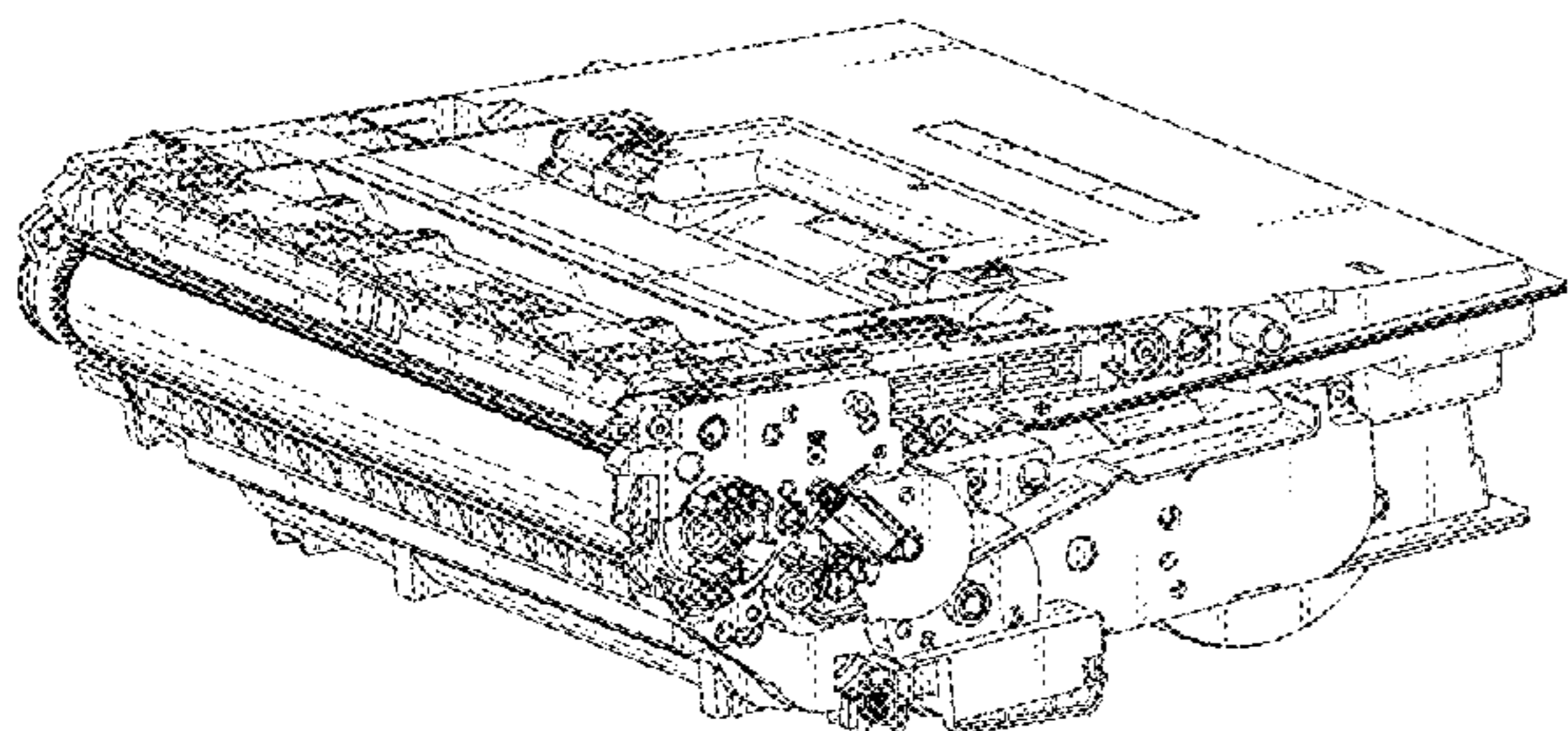
The ornamental design for a process cartridge for image forming apparatus, as shown and described.

DESCRIPTION

1. Process cartridge for image forming apparatus
- 1.1 : Front
- 1.2 : Back
- 1.3 : Top
- 1.4 : Bottom
- 1.5 : Left
- 1.6 : Right
- 1.7 : Perspective
- 1.8 : Perspective

The thin lines in the representations represent contours only and do not illustrate ornamentation or decoration on the surface of the product.

1 Claim, 8 Drawing Sheets



(56)

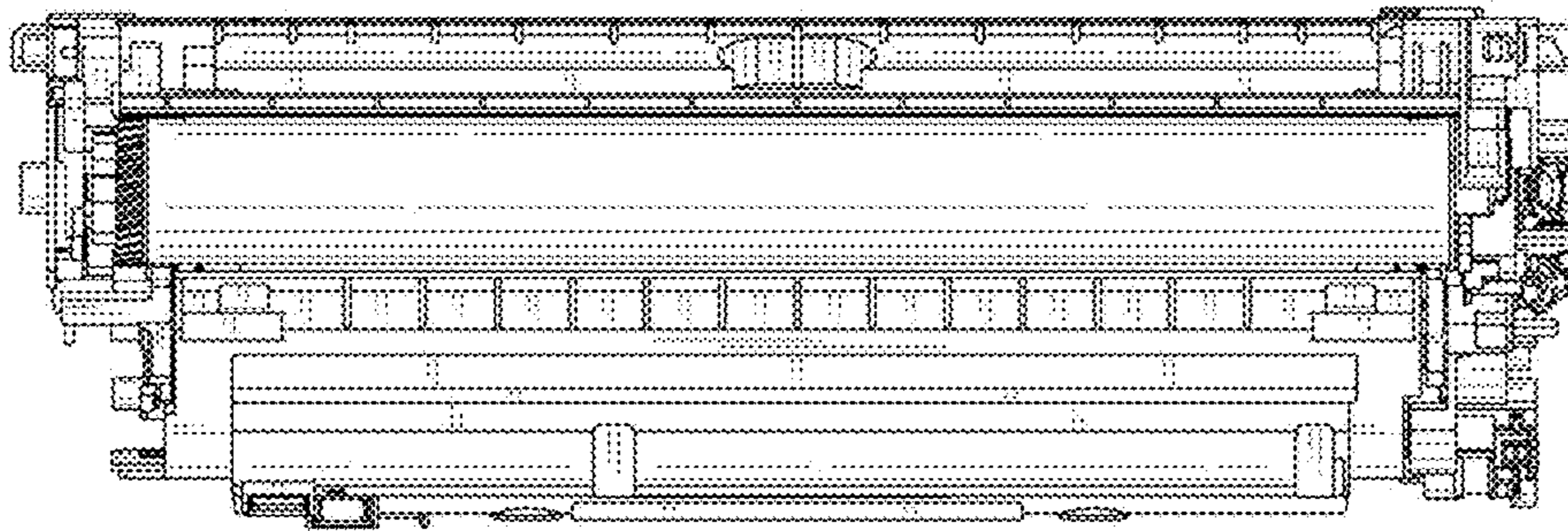
References Cited

U.S. PATENT DOCUMENTS

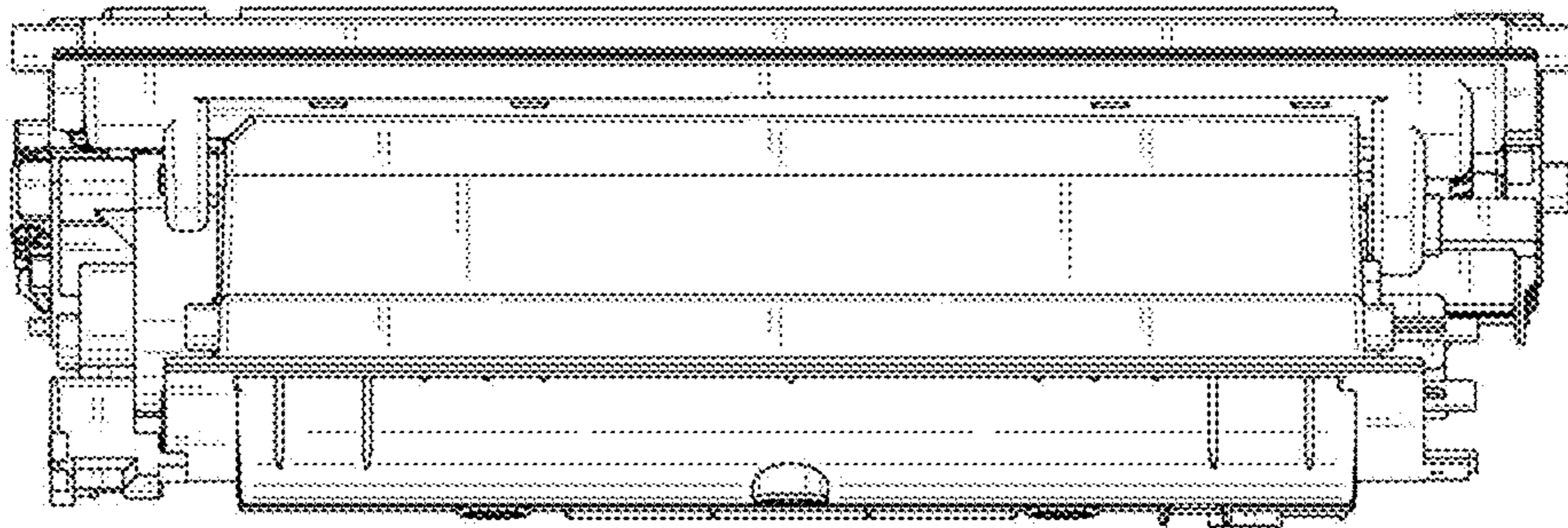
D693,400 S *	11/2013	Boettcher	D18/43
D695,338 S *	12/2013	Boettcher	D18/43
D695,820 S *	12/2013	Carter, II	D18/43
D706,340 S *	6/2014	Lee	D18/43
D723,613 S *	3/2015	Shimizu	D18/43
D724,657 S *	3/2015	Shimizu	D18/43
D739,890 S *	9/2015	Ogawa	D18/43
D739,891 S *	9/2015	Ogawa	D18/43
9,651,916 B2	5/2017	Kawakami et al.	
D791,866 S *	7/2017	Kamoshida	D18/43
D796,574 S *	9/2017	Kamoshida	D18/43
D807,955 S *	1/2018	Toba	D18/43
D812,680 S *	3/2018	Takiguchi	D18/43
D823,380 S *	7/2018	Uratani	D18/43

* cited by examiner

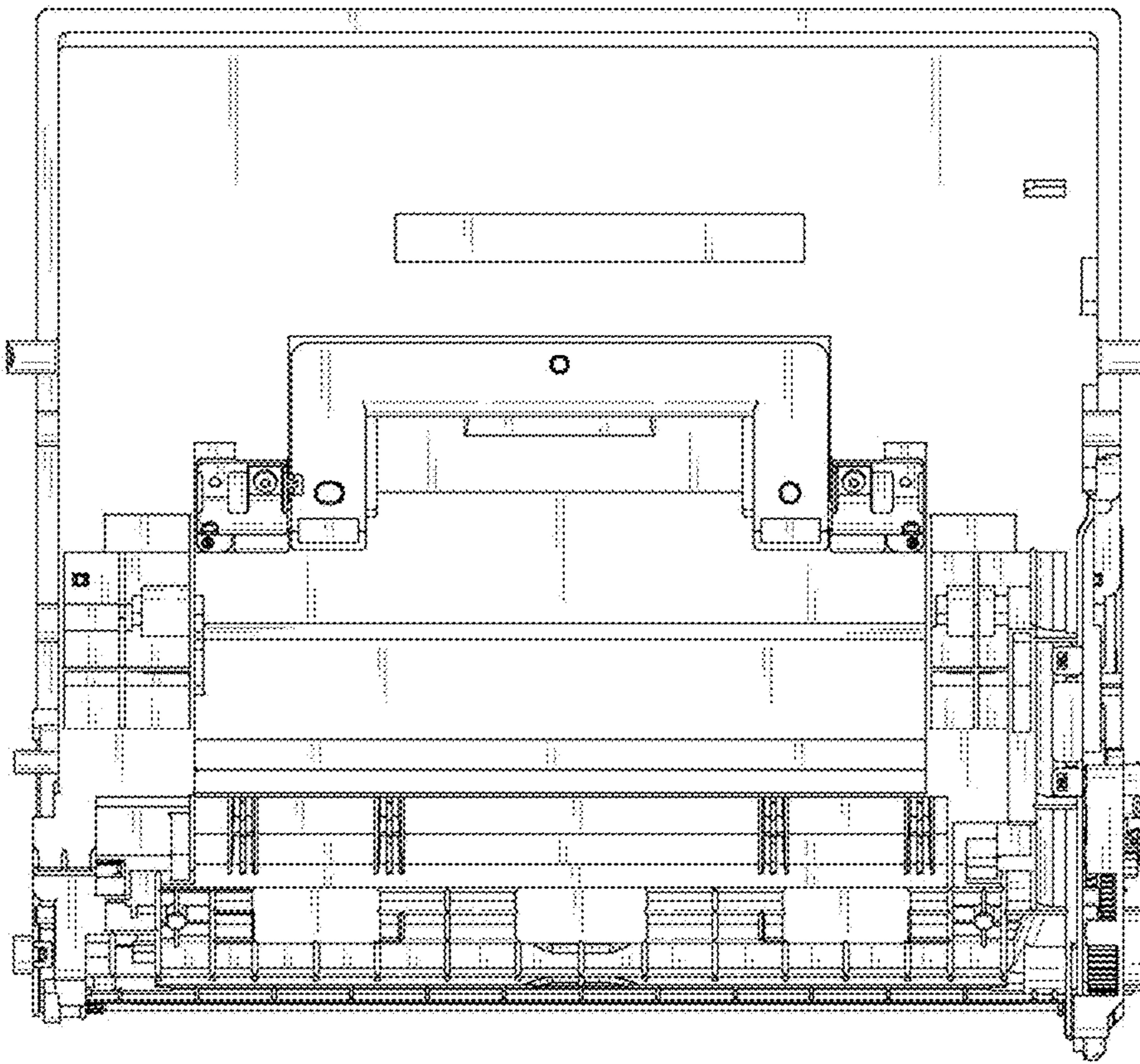
1.1



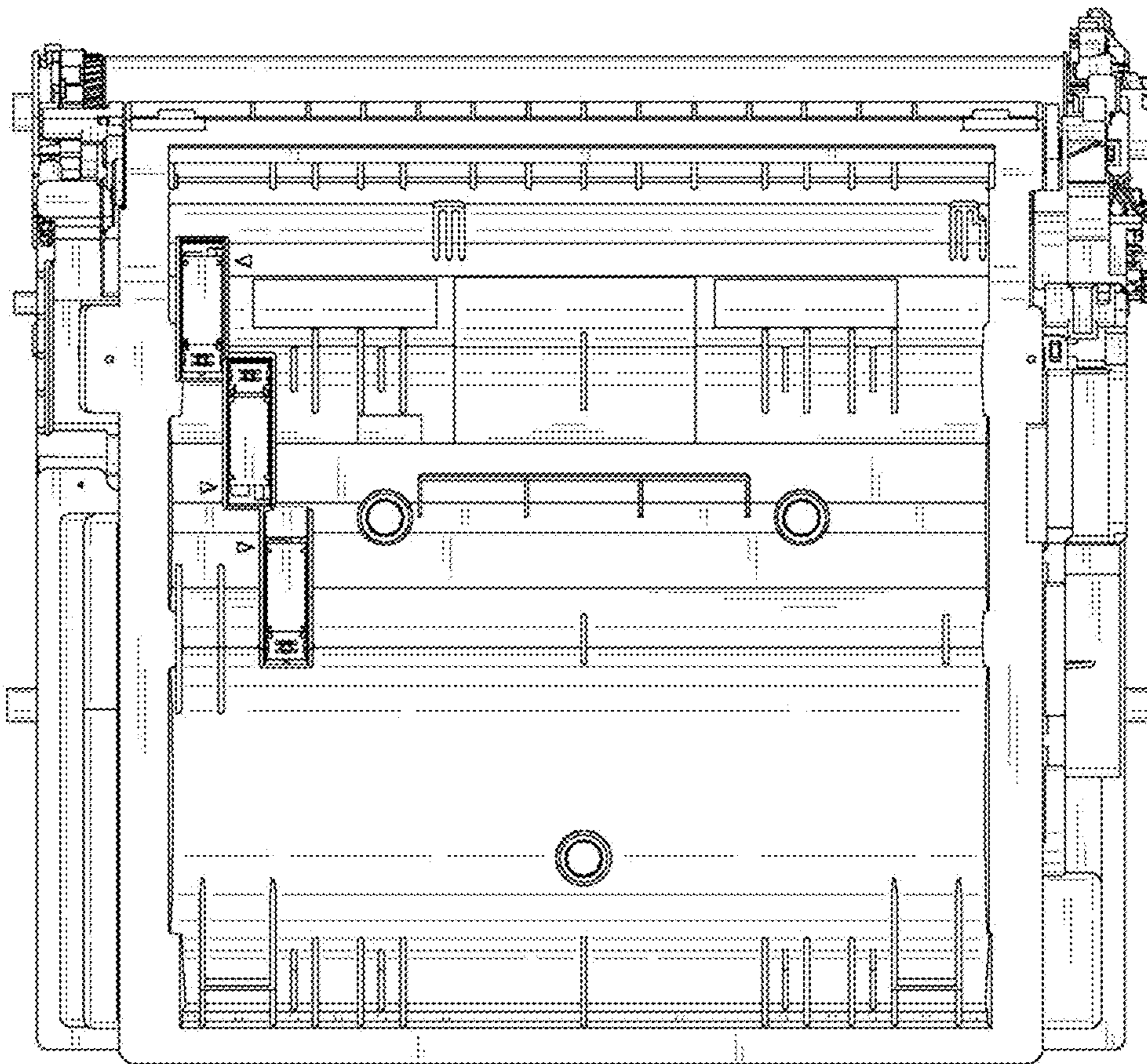
1.2



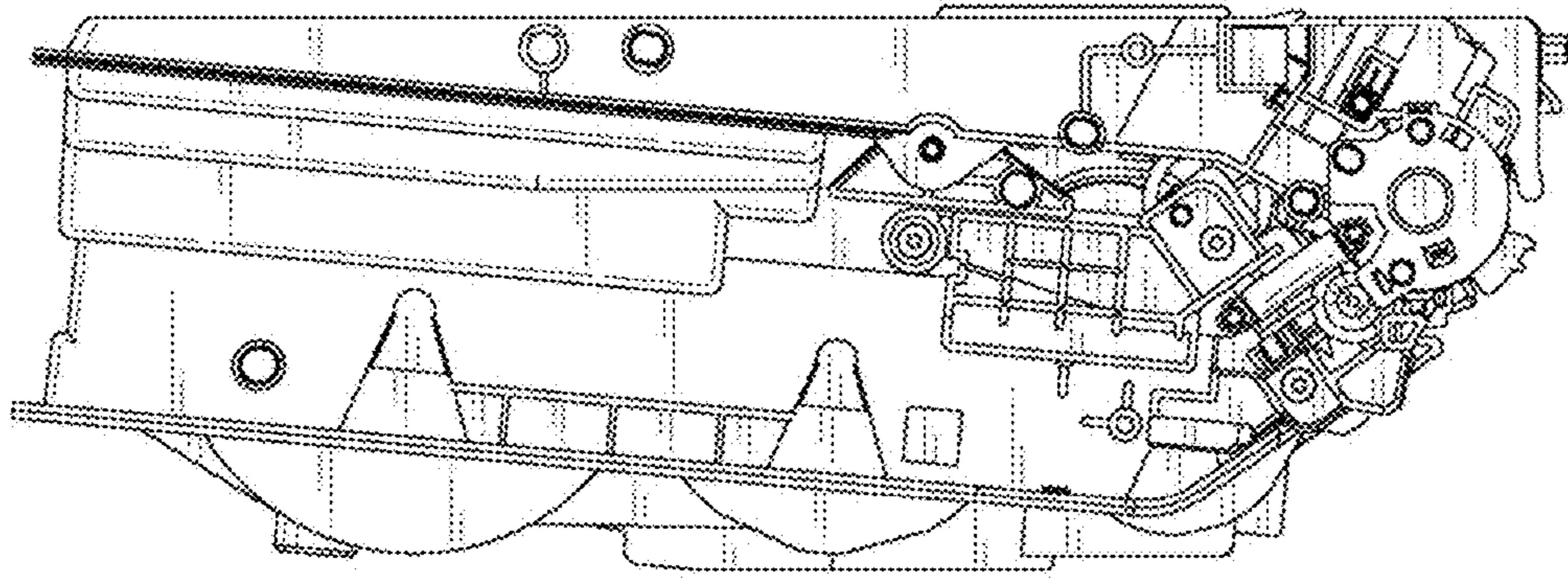
1.3



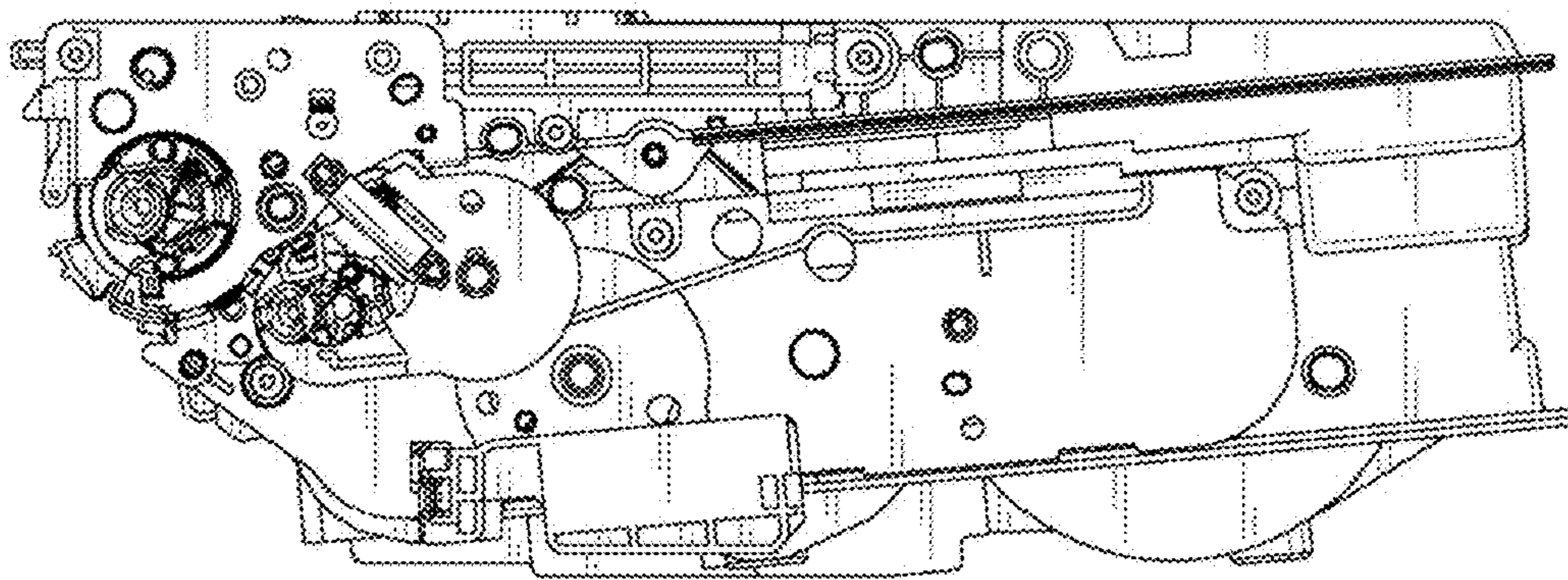
1.4



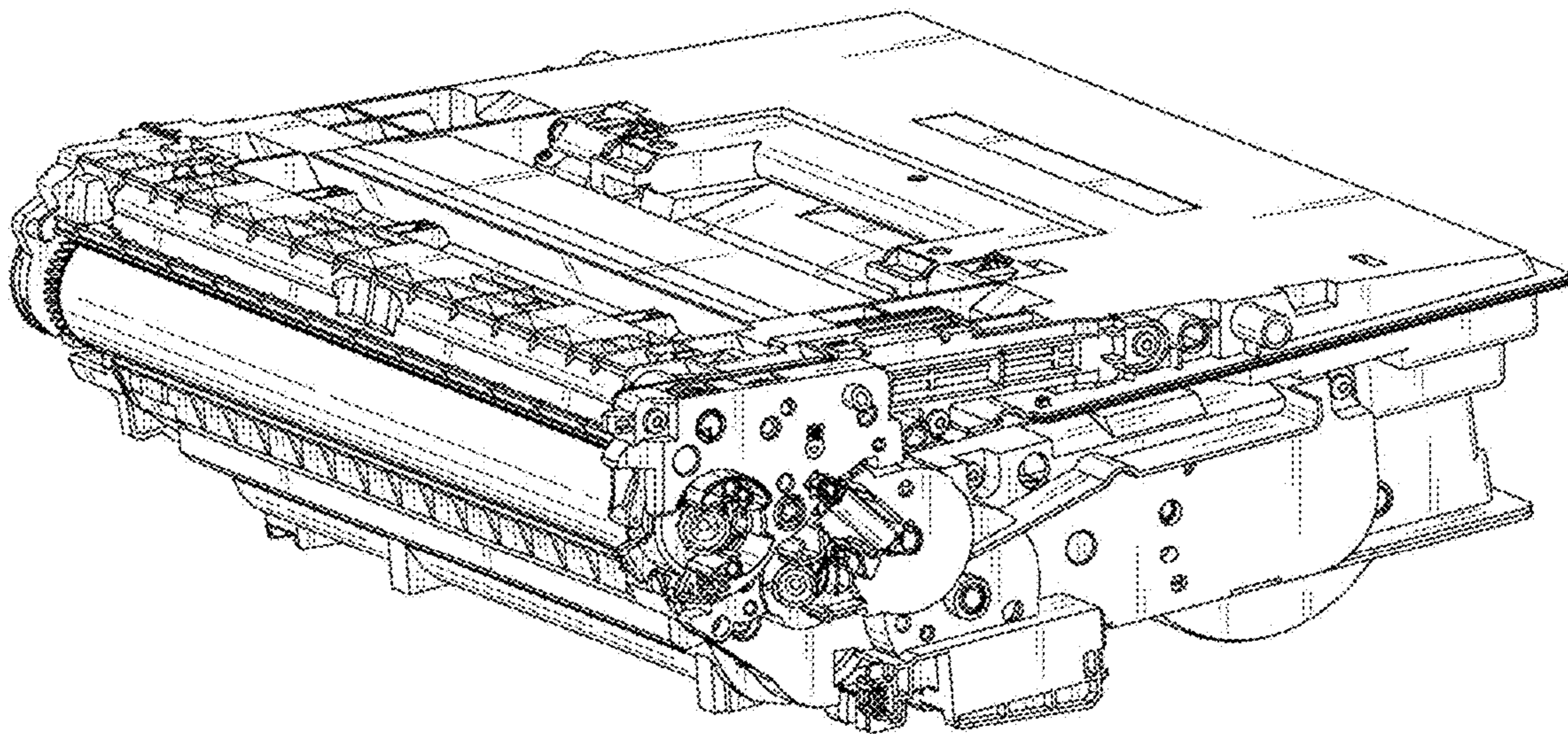
1.5



1.6



1.7



1.8

