



US00D845379S

(12) **United States Design Patent**  
**Campbell**

(10) **Patent No.:** **US D845,379 S**  
(45) **Date of Patent:** **\*\* Apr. 9, 2019**

- (54) **NOVELTY EYEGLASSES WITH INTERCHANGEABLE CAPS**
- (71) Applicant: **Peter Campbell**, Peabody, MA (US)
- (72) Inventor: **Peter Campbell**, Peabody, MA (US)
- (\*\*) Term: **15 Years**
- (21) Appl. No.: **29/606,971**
- (22) Filed: **Jun. 9, 2017**
- (51) **LOC (11) Cl.** ..... **16-06**
- (52) **U.S. Cl.**  
USPC ..... **D16/306**
- (58) **Field of Classification Search**  
USPC ..... D16/100-101, 300-329, 330, 332-342;  
D29/107, 110; D21/659-660  
(Continued)

(56) **References Cited**

U.S. PATENT DOCUMENTS

- D94,150 S \* 12/1934 Lee ..... D16/310
  - D107,954 S \* 1/1938 Gates ..... D16/310
- (Continued)

*Primary Examiner* — Cathron C Brooks  
*Assistant Examiner* — Sharon S Oum  
 (74) *Attorney, Agent, or Firm* — Daniel N. Smith

(57) **CLAIM**

The ornamental design for novelty eyeglasses with interchangeable caps, as shown and described.

**DESCRIPTION**

FIG. 1 illustrates an isometric top front view of novelty eyeglasses with interchangeable caps showing my new design;  
 FIG. 2 illustrates another isometric top front view thereof;  
 FIG. 3 illustrates an isometric bottom front view thereof;  
 FIG. 4 illustrates another isometric bottom front view thereof;

FIG. 5 illustrates an isometric bottom rear view thereof;  
 FIG. 6 illustrates another isometric bottom rear view thereof;  
 FIG. 7 illustrates a front view thereof;  
 FIG. 8 illustrates a rear view thereof;  
 FIG. 9 illustrates a right side view thereof;  
 FIG. 10 illustrates an enlarged partial view of the portion identified as 10 in FIG. 9;  
 FIG. 11 illustrates a left side view of the novelty eyeglasses with interchangeable caps;  
 FIG. 12 illustrates an enlarged partial view of the portion identified as 12 in FIG. 11;  
 FIG. 13 illustrates a top view of the novelty eyeglasses with interchangeable caps;  
 FIG. 14 illustrates a bottom view thereof;  
 FIG. 15 illustrates another isometric top front view of the design of FIG. 1, but shown with one of the interchangeable caps removed;  
 FIG. 16 illustrates another isometric top front view thereof;  
 FIG. 17 illustrates another isometric top front view thereof, but shown with the interchangeable cap on the right side of the frame;  
 FIG. 18 illustrates another isometric top front view thereof;  
 FIG. 19 illustrates another isometric top front view of the design of FIG. 1, but shown with both of the interchangeable caps removed;  
 FIG. 20 illustrates an enlarged partial view of the portion identified as 20 in FIG. 19;  
 FIG. 21 illustrates another isometric top front view of the design of FIG. 1, but shown with both of the interchangeable caps removed thereof;  
 FIG. 22 illustrates an enlarged partial view of the portion identified as 22 in FIG. 21;  
 FIG. 23 illustrates an isometric bottom front view of the design of FIG. 1, but shown with both of the interchangeable caps removed;  
 FIG. 24 illustrates another isometric bottom front view;  
 FIG. 25 illustrates an isometric bottom rear view thereof;  
 FIG. 26 illustrates another isometric bottom rear view thereof;  
 FIG. 27 illustrates a front view thereof;  
 FIG. 28 illustrates a rear view thereof;  
 FIG. 29 illustrates a right side view thereof;

(Continued)

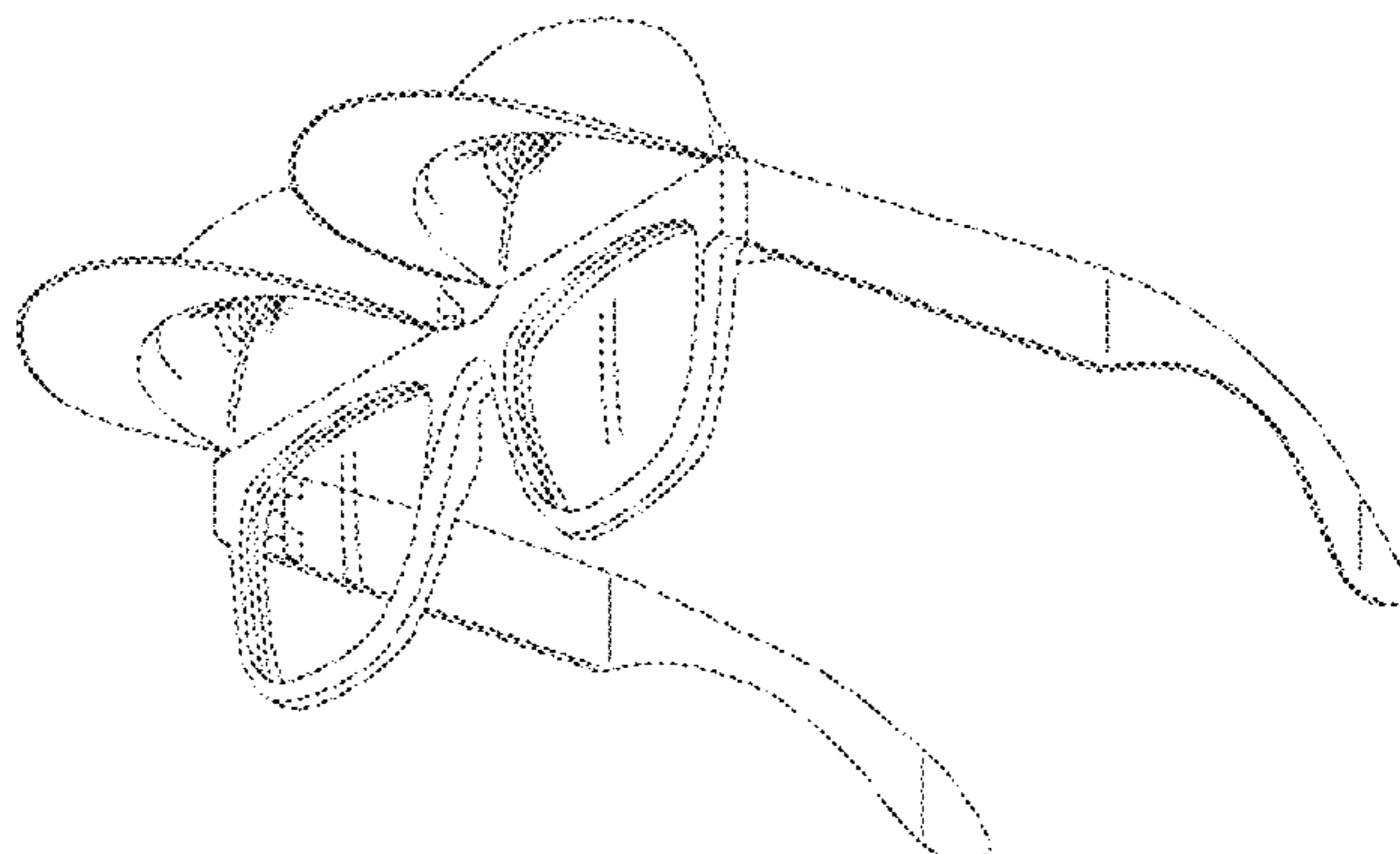
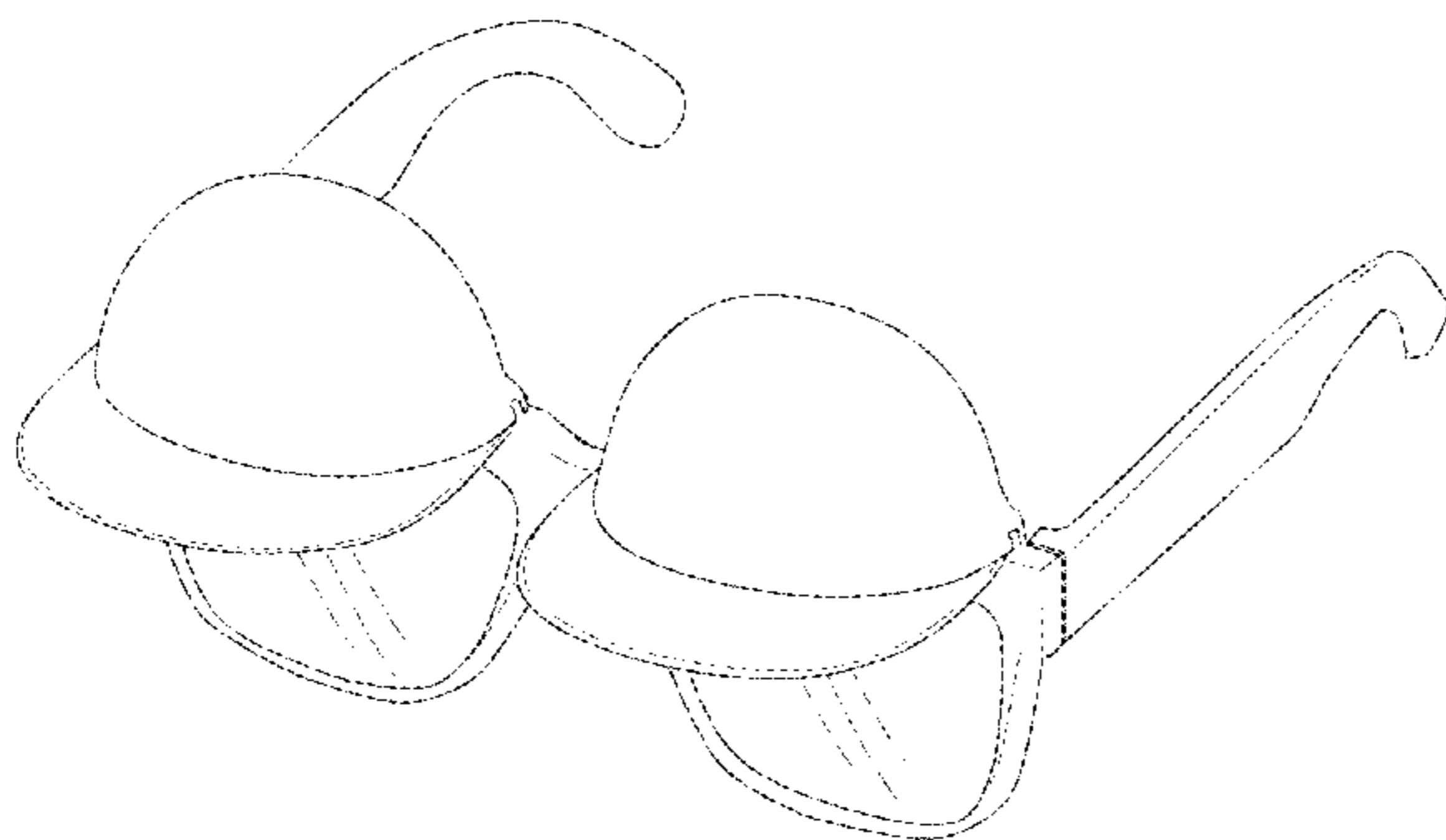


FIG. 30 illustrates an enlarged partial view of the portion identified as 30 in FIG. 29;  
 FIG. 31 illustrates a left side view of the design of FIG. 1, but shown with both of the interchangeable caps removed;  
 FIG. 32 illustrates an enlarged partial view of the portion identified as 32 in FIG. 31;  
 FIG. 33 illustrates a top view of the design of FIG. 1, but shown with both of the interchangeable caps removed;  
 FIG. 34 illustrates an isometric top front view of the interchangeable cap of FIG. 1 shown separately for completeness of illustration;  
 FIG. 35 illustrates another isometric top front view thereof;  
 FIG. 36 illustrates another isometric top front view thereof;  
 FIG. 37 illustrates another isometric top front view thereof;  
 FIG. 38 illustrates an isometric bottom front view thereof;  
 FIG. 39 illustrates another isometric bottom front view thereof;  
 FIG. 40 illustrates an isometric bottom rear view thereof;  
 FIG. 41 illustrates another isometric bottom rear view thereof;  
 FIG. 42 illustrates a front view thereof;  
 FIG. 43 illustrates a rear view thereof;  
 FIG. 44 illustrates a right side view thereof;  
 FIG. 45 illustrates an enlarged partial view of the portion identified as 45 in FIG. 44;  
 FIG. 46 illustrates a left side view of the interchangeable cap of FIG. 1 shown separately for completeness of illustration;  
 FIG. 47 illustrates an enlarged partial view of the portion identified as 47 in FIG. 46;

FIG. 48 illustrates a top view of the interchangeable cap of FIG. 1 shown separately for completeness of illustration; and,  
 FIG. 49 illustrates a bottom view thereof.

**1 Claim, 49 Drawing Sheets**

(58) **Field of Classification Search**  
 CPC ... G02C 1/02; G02C 1/04; G02C 5/12; G02C 11/10; G02C 7/06; G02C 3/003; G02C 7/088; G02C 5/001; G02C 7/16; G02C 5/02; G02C 5/122; G02B 2027/0178  
 See application file for complete search history.

(56) **References Cited**

U.S. PATENT DOCUMENTS

D127,371	S	*	5/1941	Hommer .....	D16/310
D178,984	S	*	10/1956	Black .....	2/12
D210,806	S	*	4/1968	Mitchell .....	D16/310
D364,885	S	*	12/1995	Chang .....	D16/304
5,619,287	A	*	4/1997	Tseng .....	A61F 9/02 2/10
D390,588	S	*	2/1998	Wang .....	D16/310
D391,981	S	*	3/1998	Chang .....	D16/306
D400,554	S	*	11/1998	Wang .....	D16/310
D439,268	S	*	3/2001	Ireland .....	D16/310
D533,888	S	*	12/2006	Murphy .....	D16/309
D710,928	S	*	8/2014	Heinrich .....	16/235
D743,149	S	*	11/2015	Brandelli .....	D2/882
D816,761	S	*	5/2018	Lalush .....	D16/326
2018/0074342	A1	*	3/2018	Boedecker .....	G02C 5/006

\* cited by examiner

FIG. 1

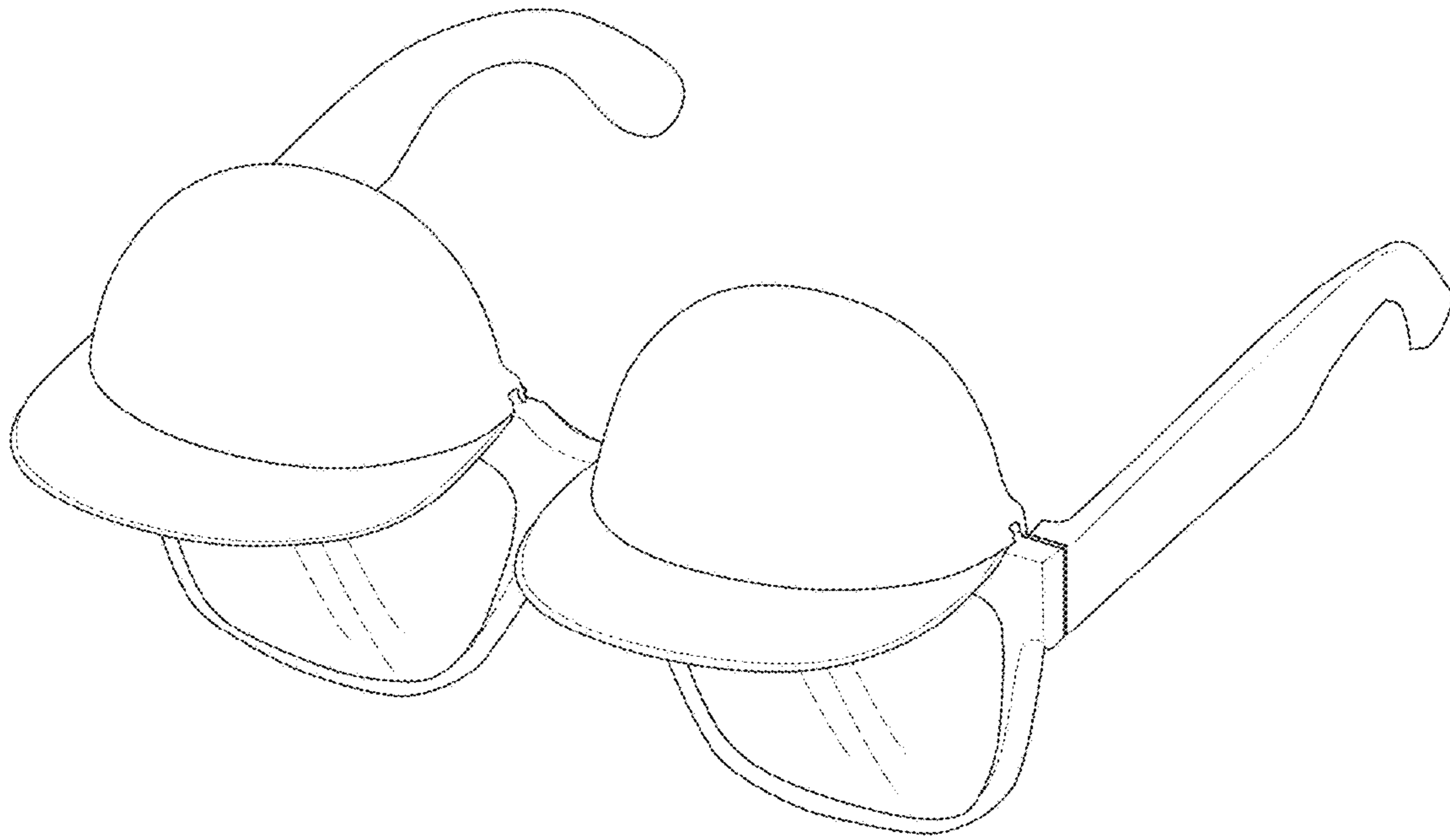


FIG. 2

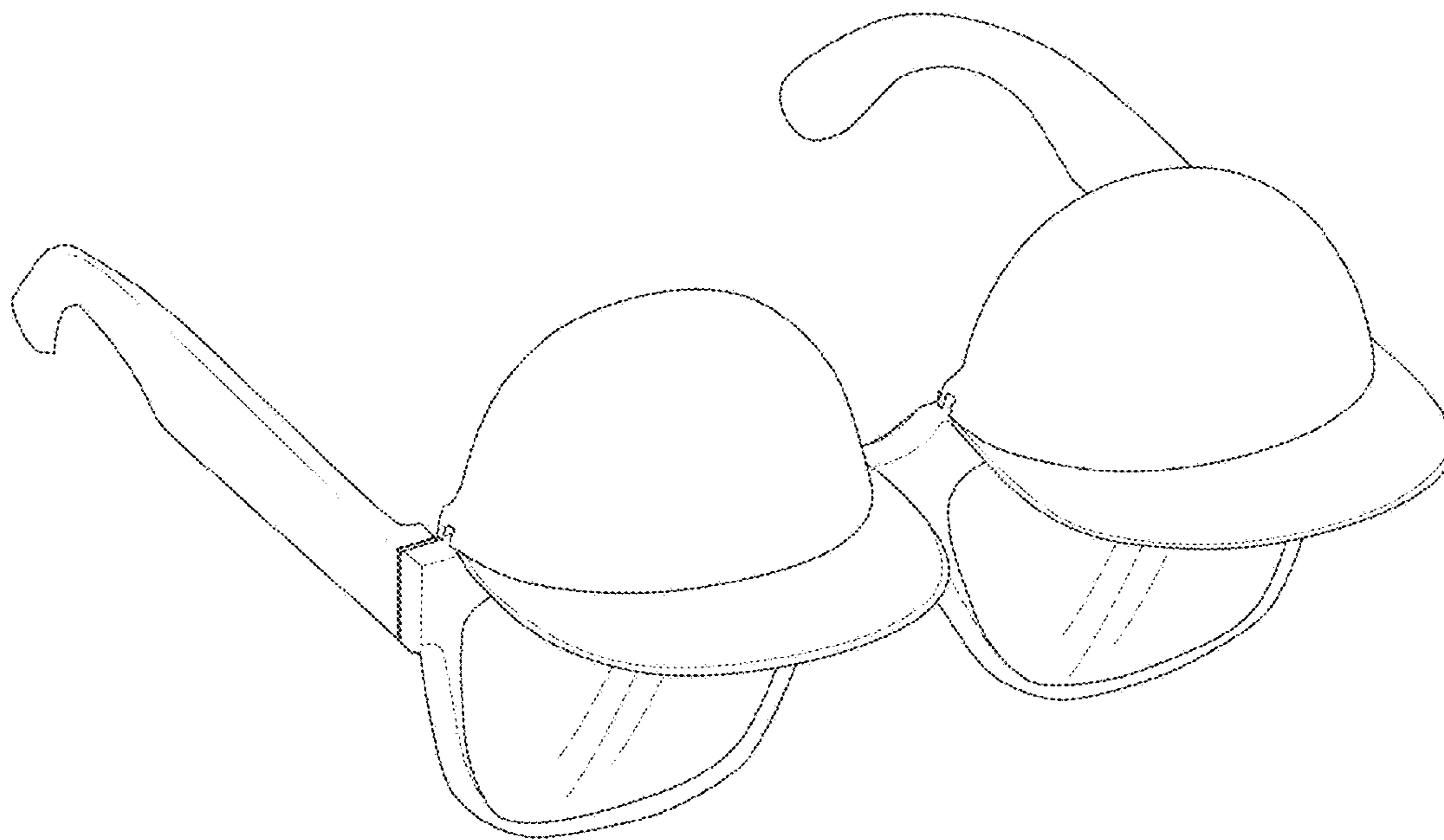


FIG. 3

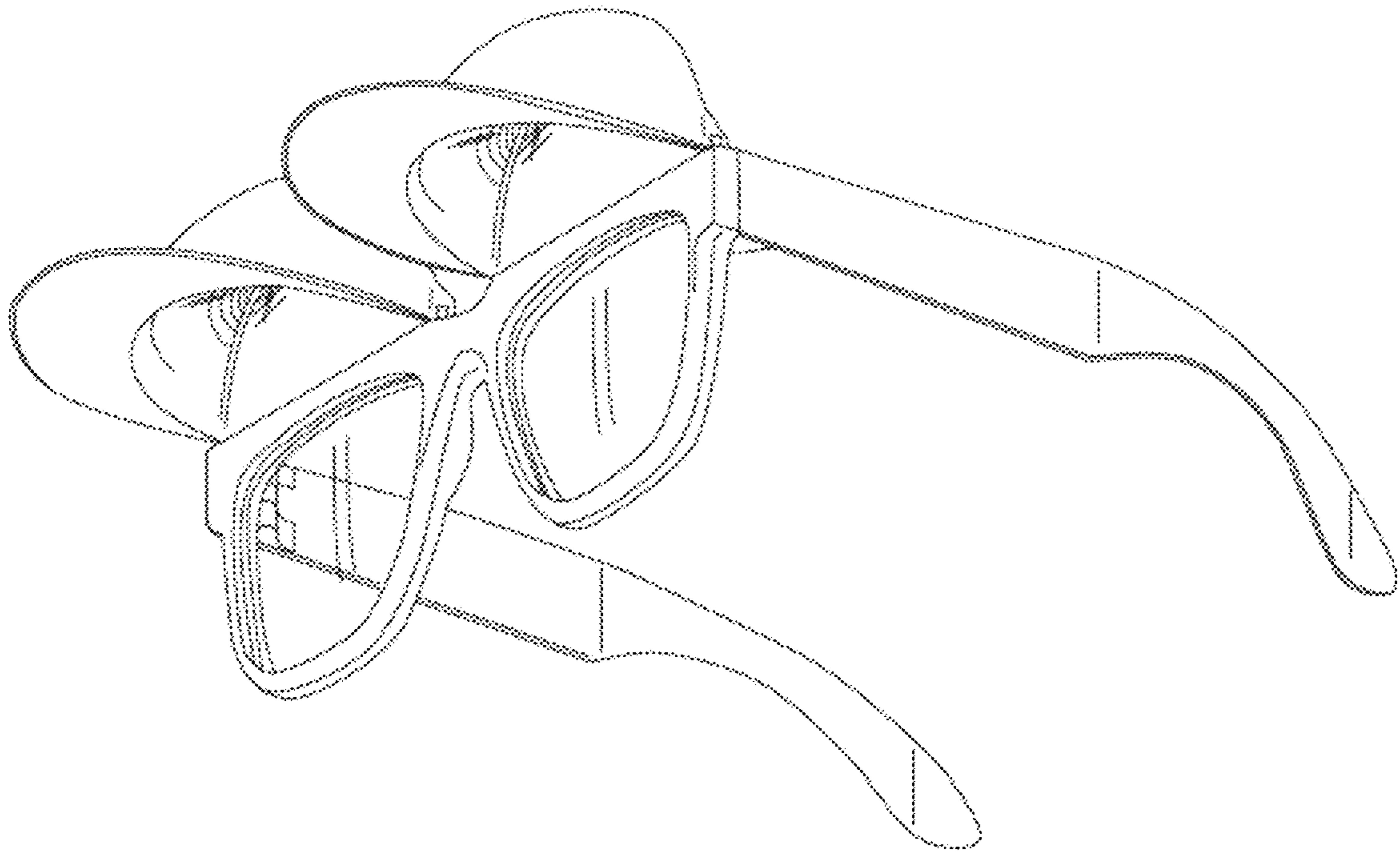


FIG. 4

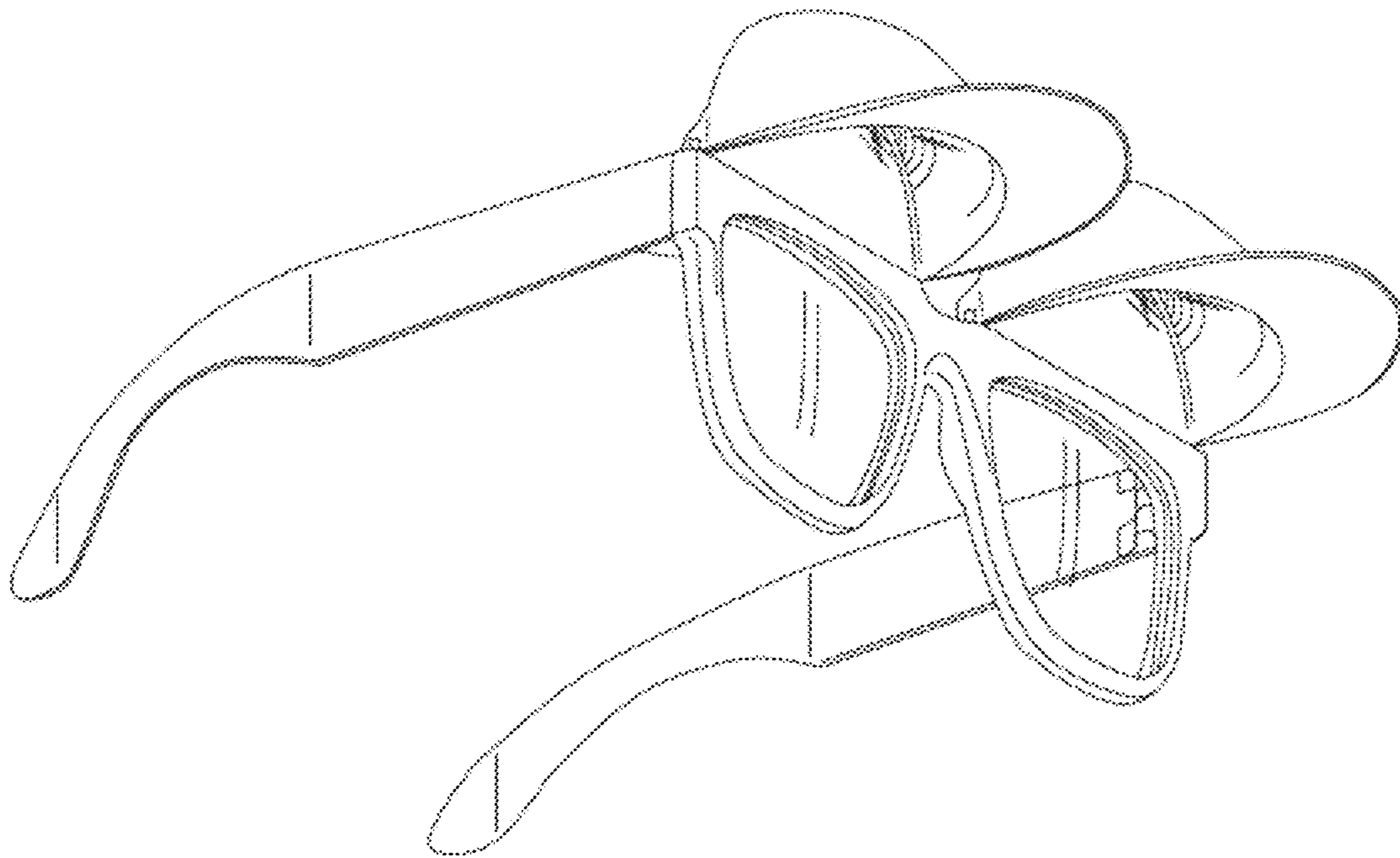


FIG. 5

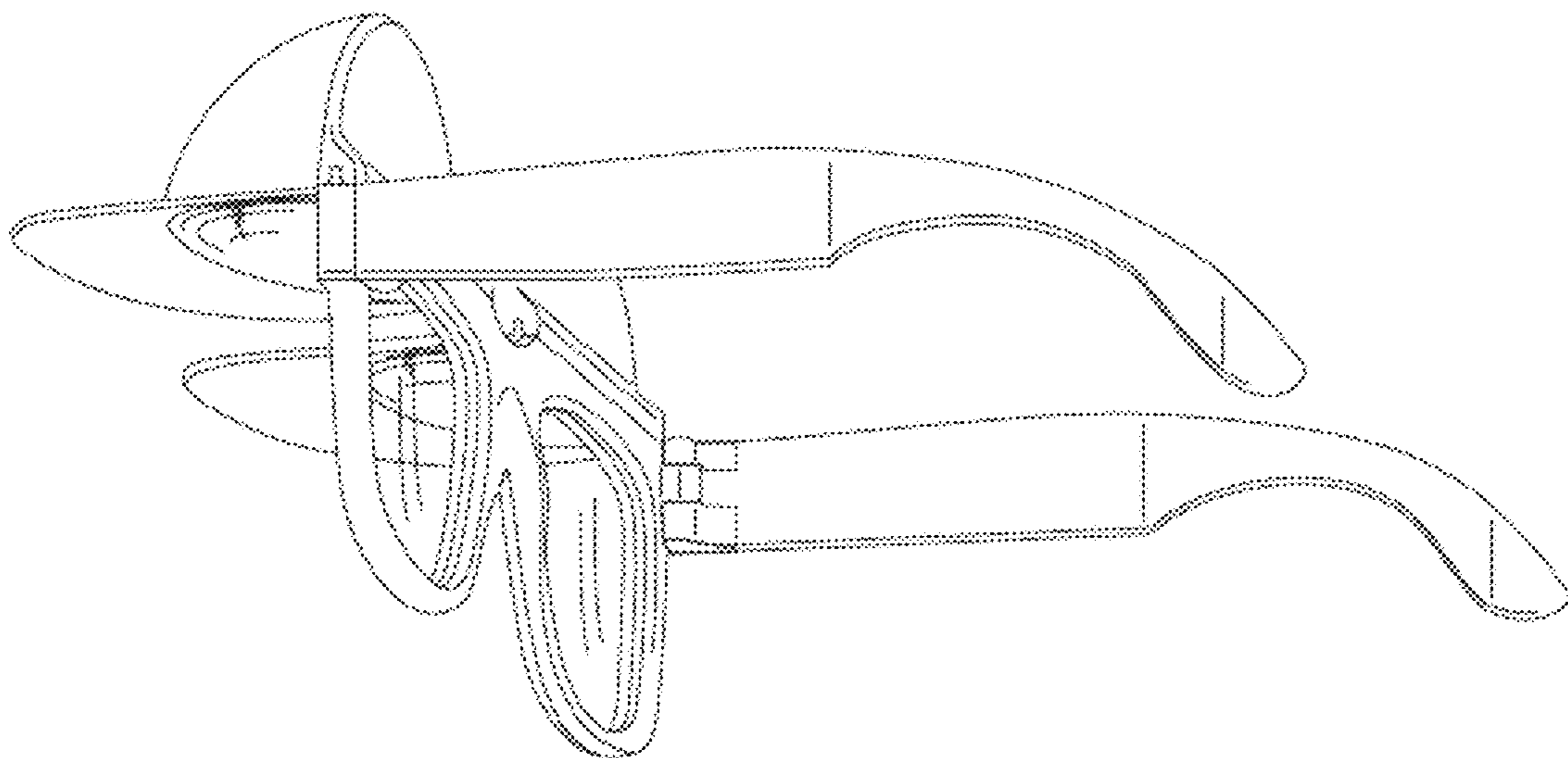


FIG. 6

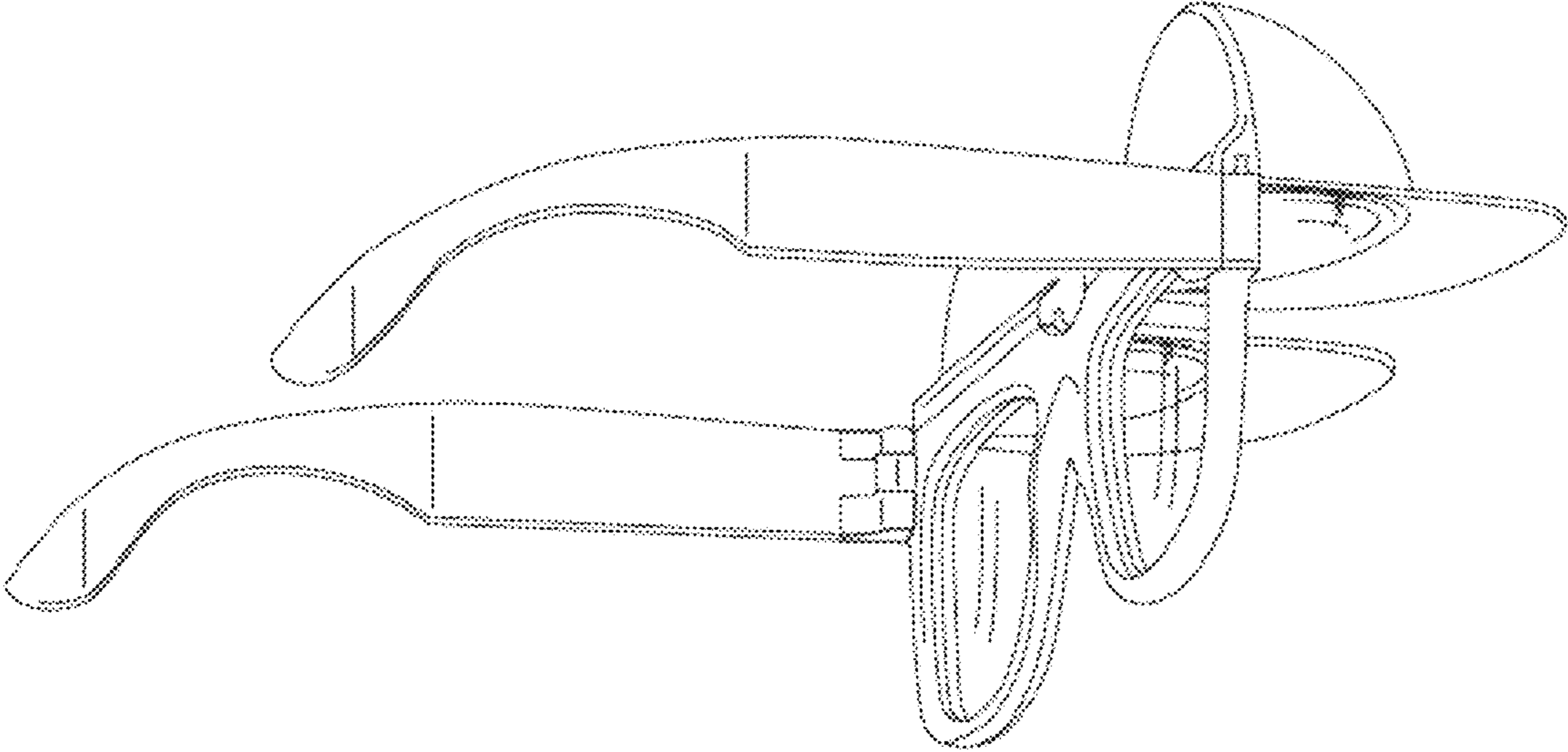




FIG. 7

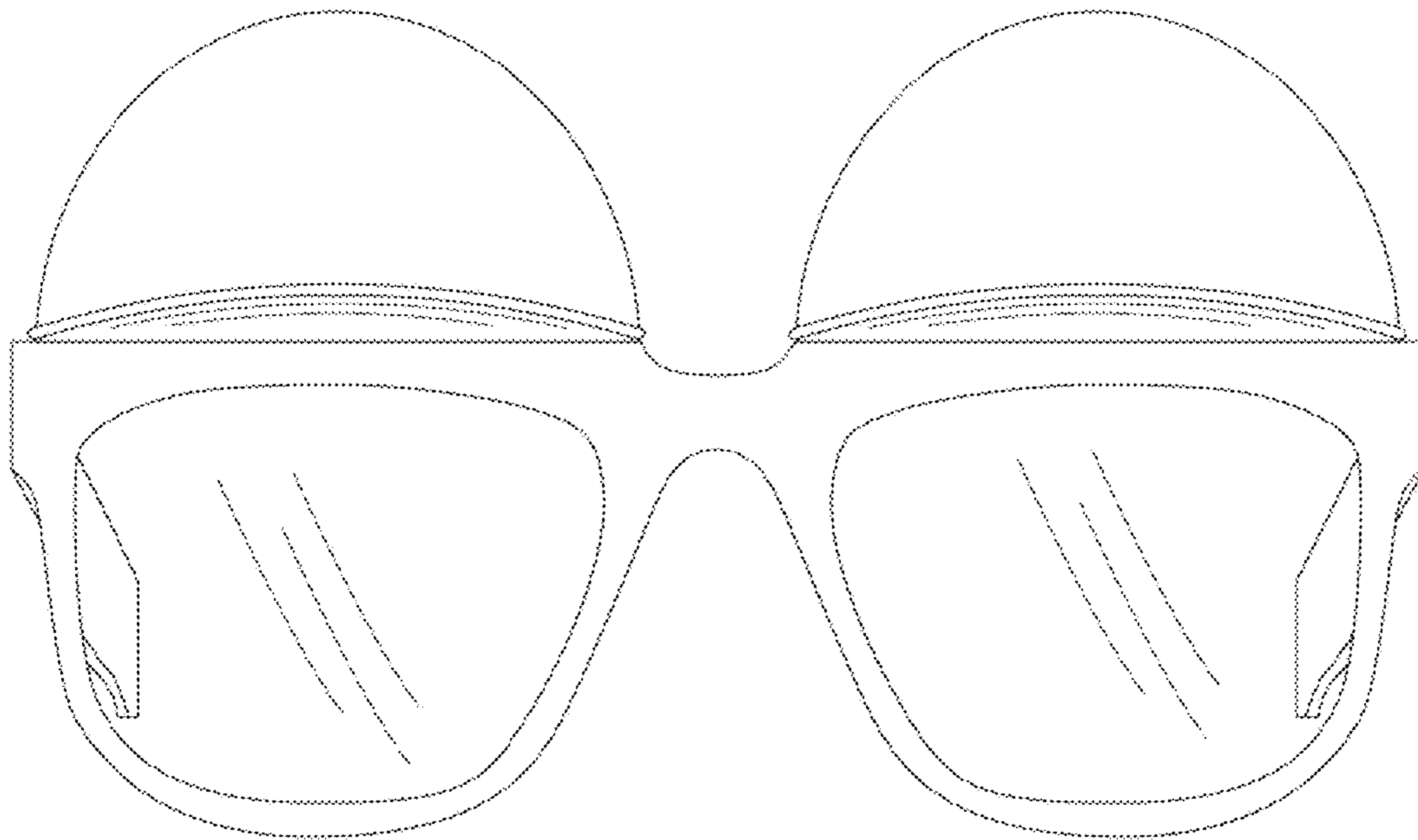


FIG. 8

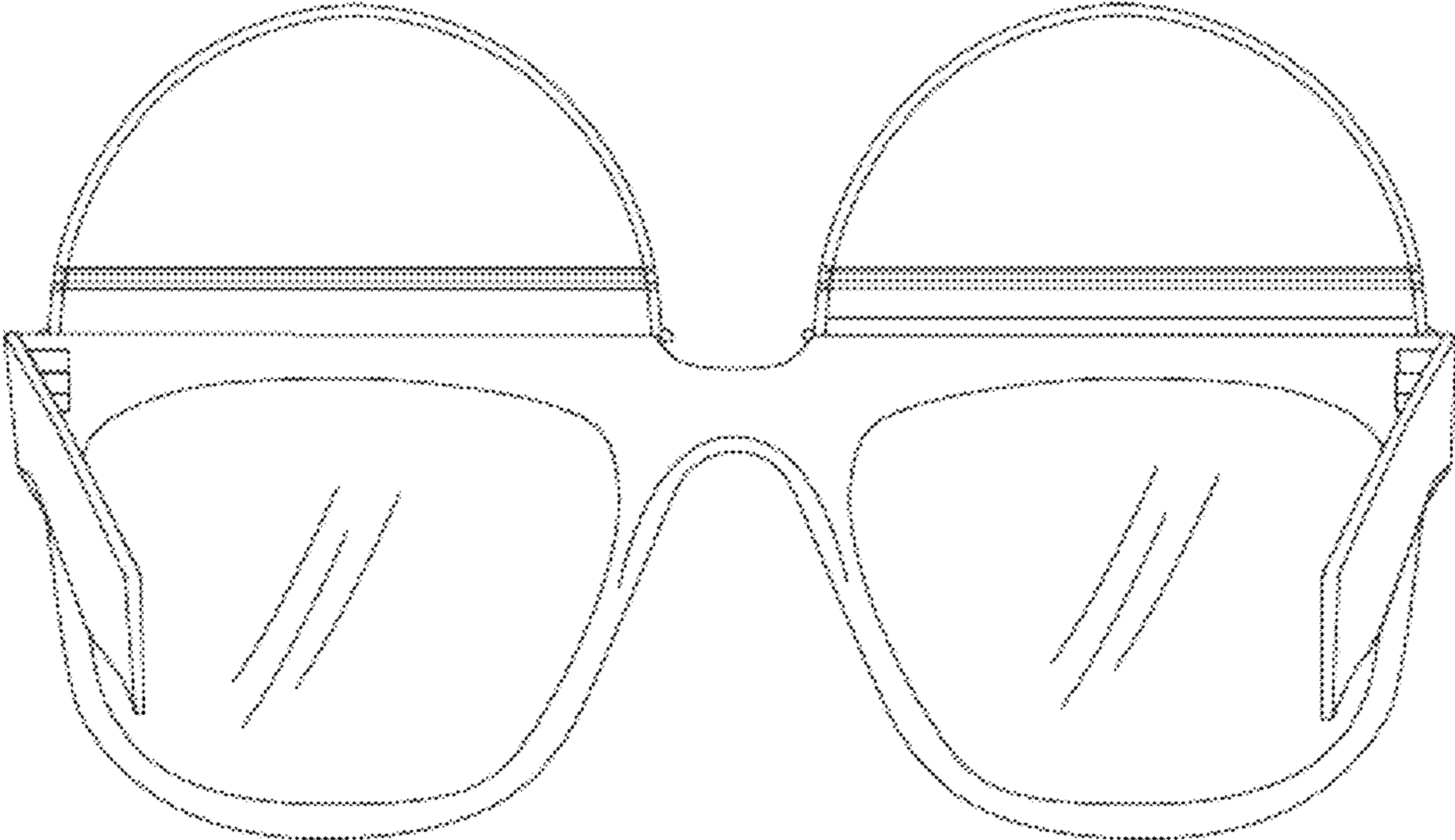


FIG. 9

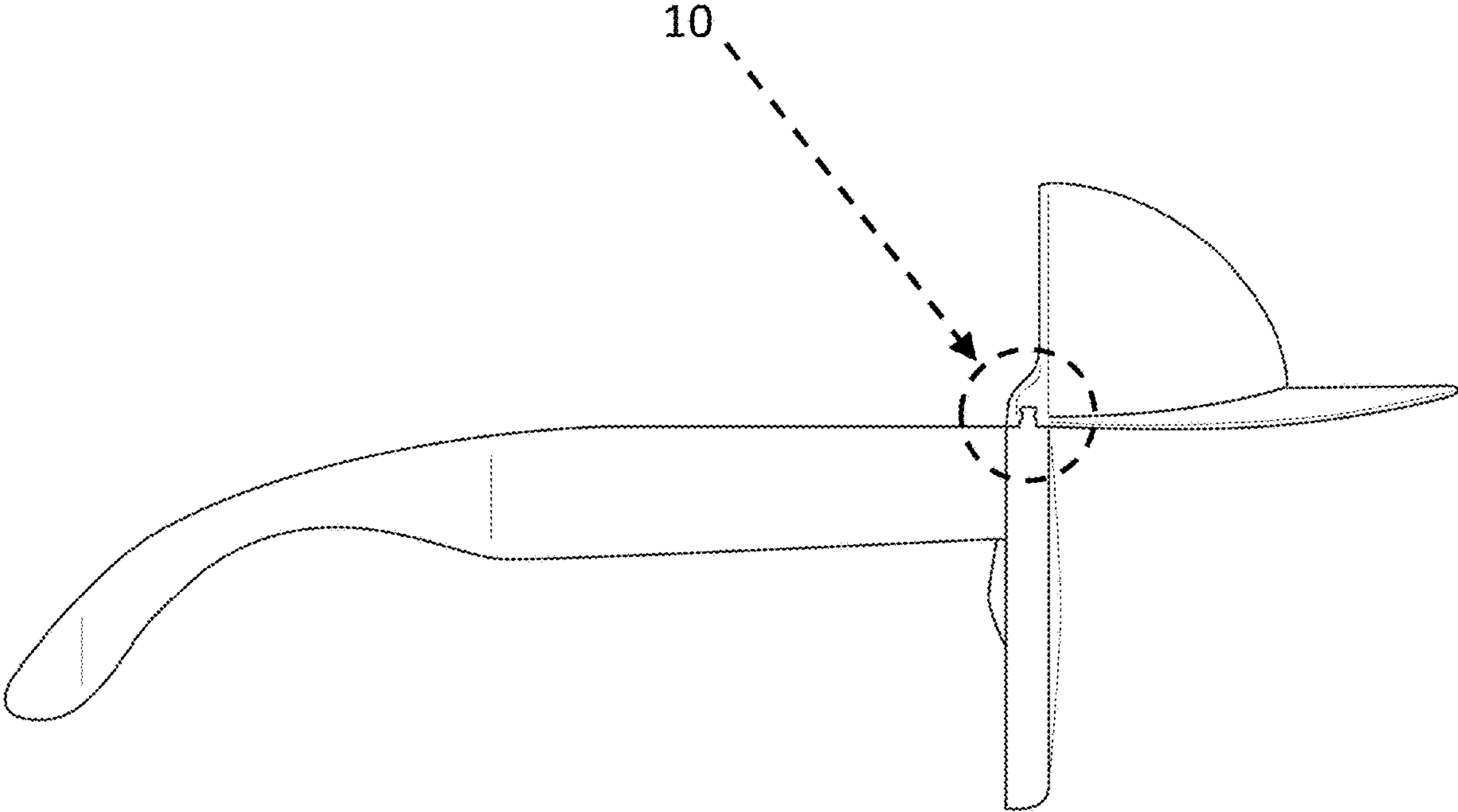


FIG. 10

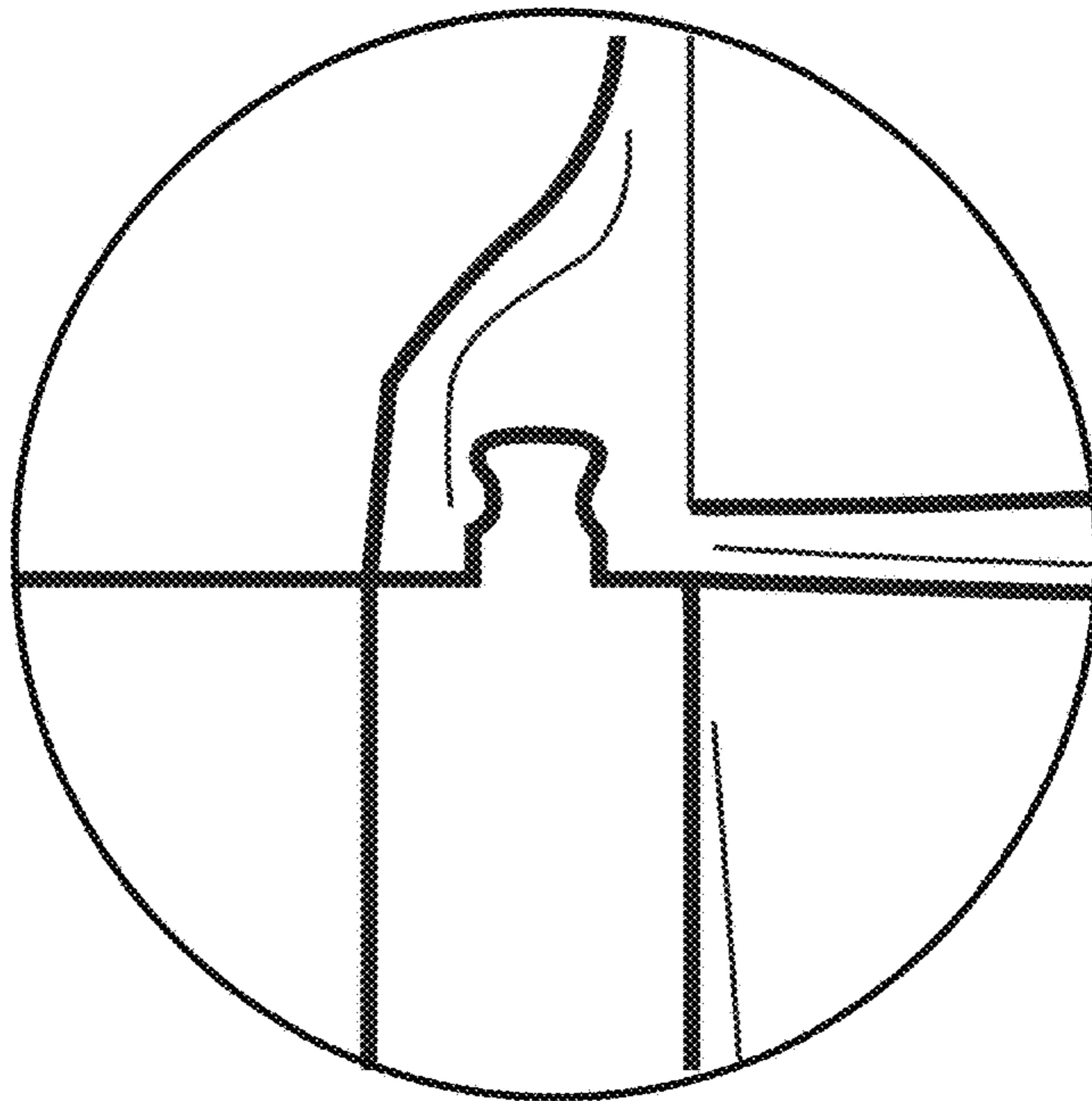


FIG. 11

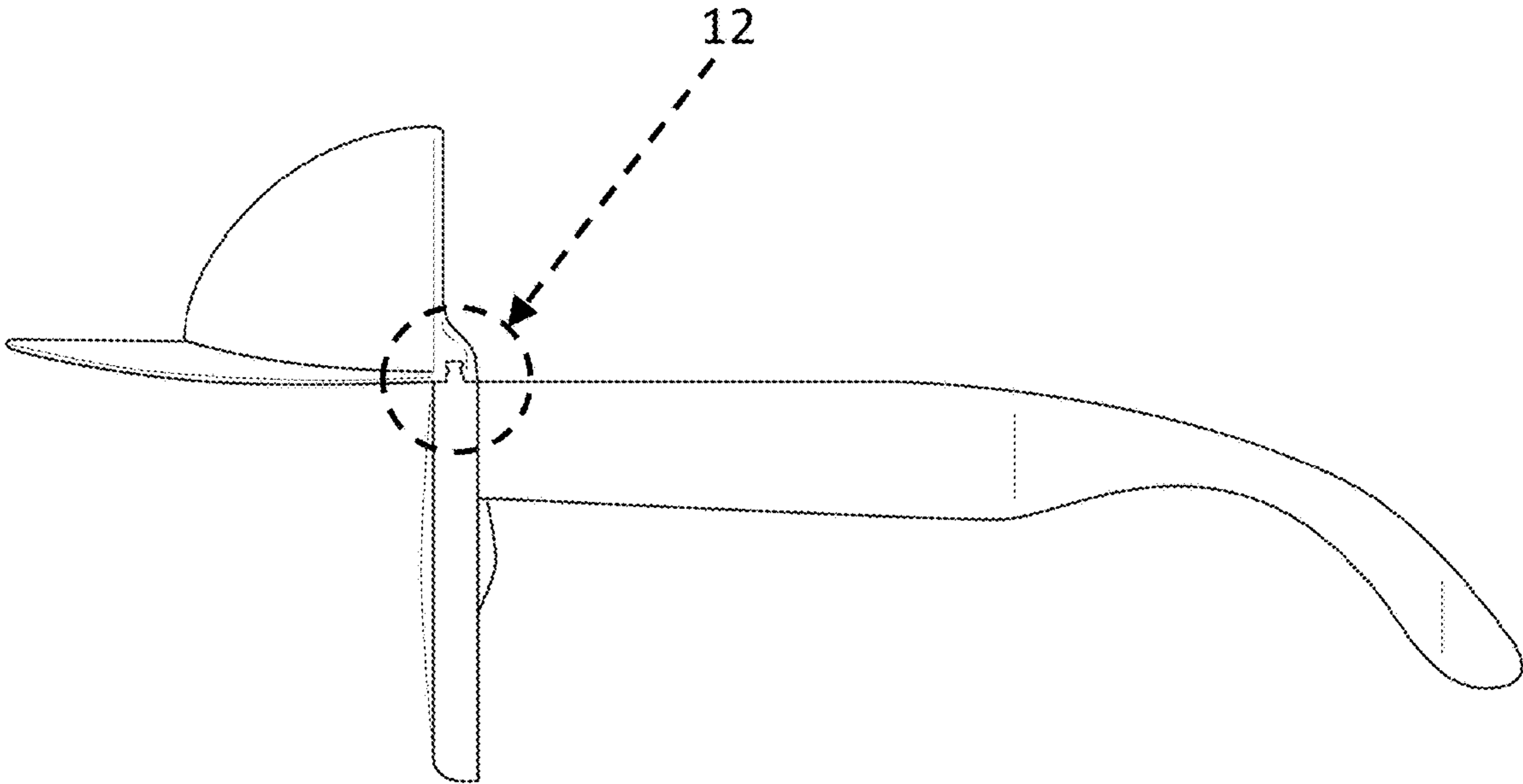


FIG. 12

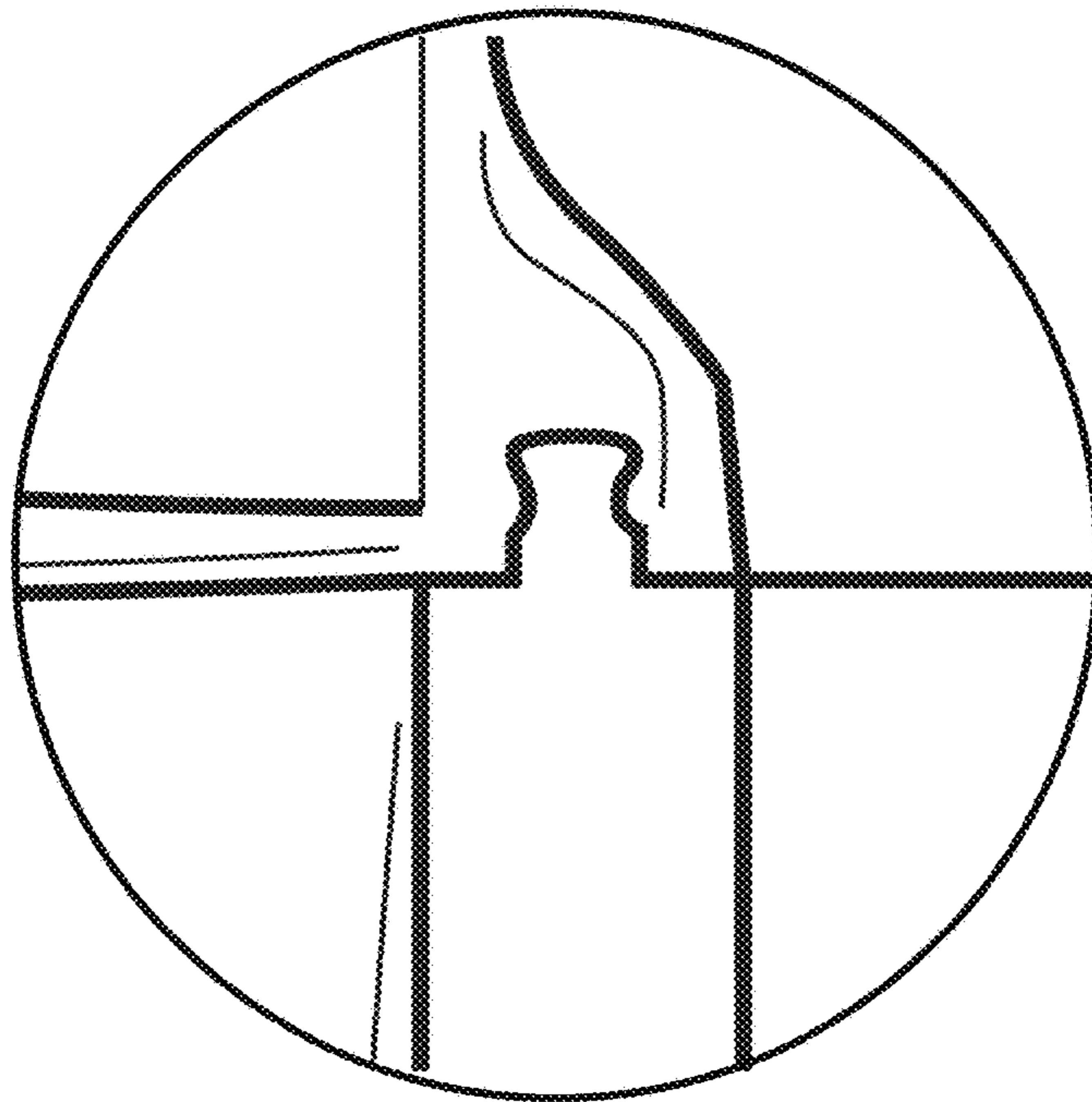


FIG. 13

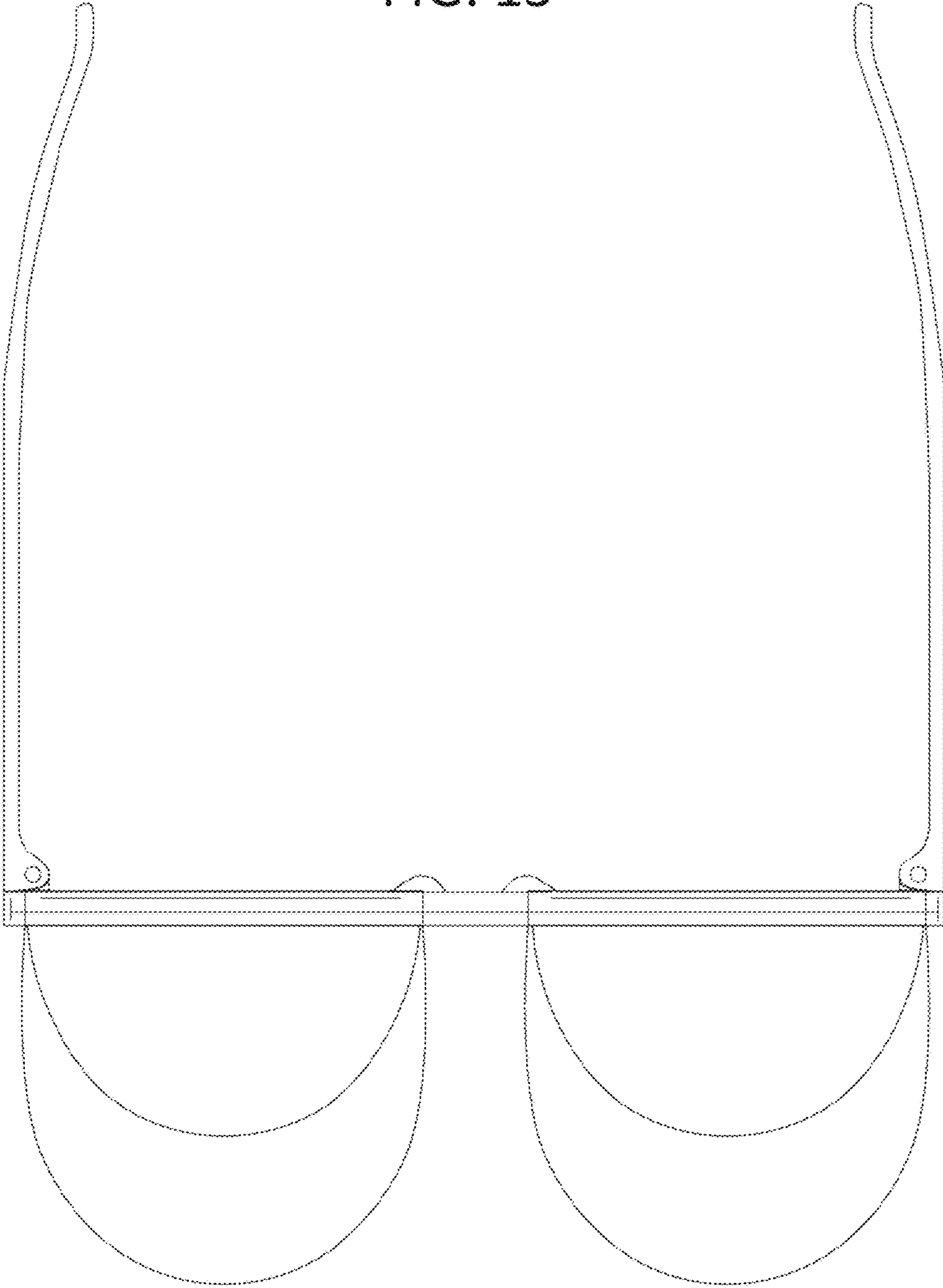


FIG. 14

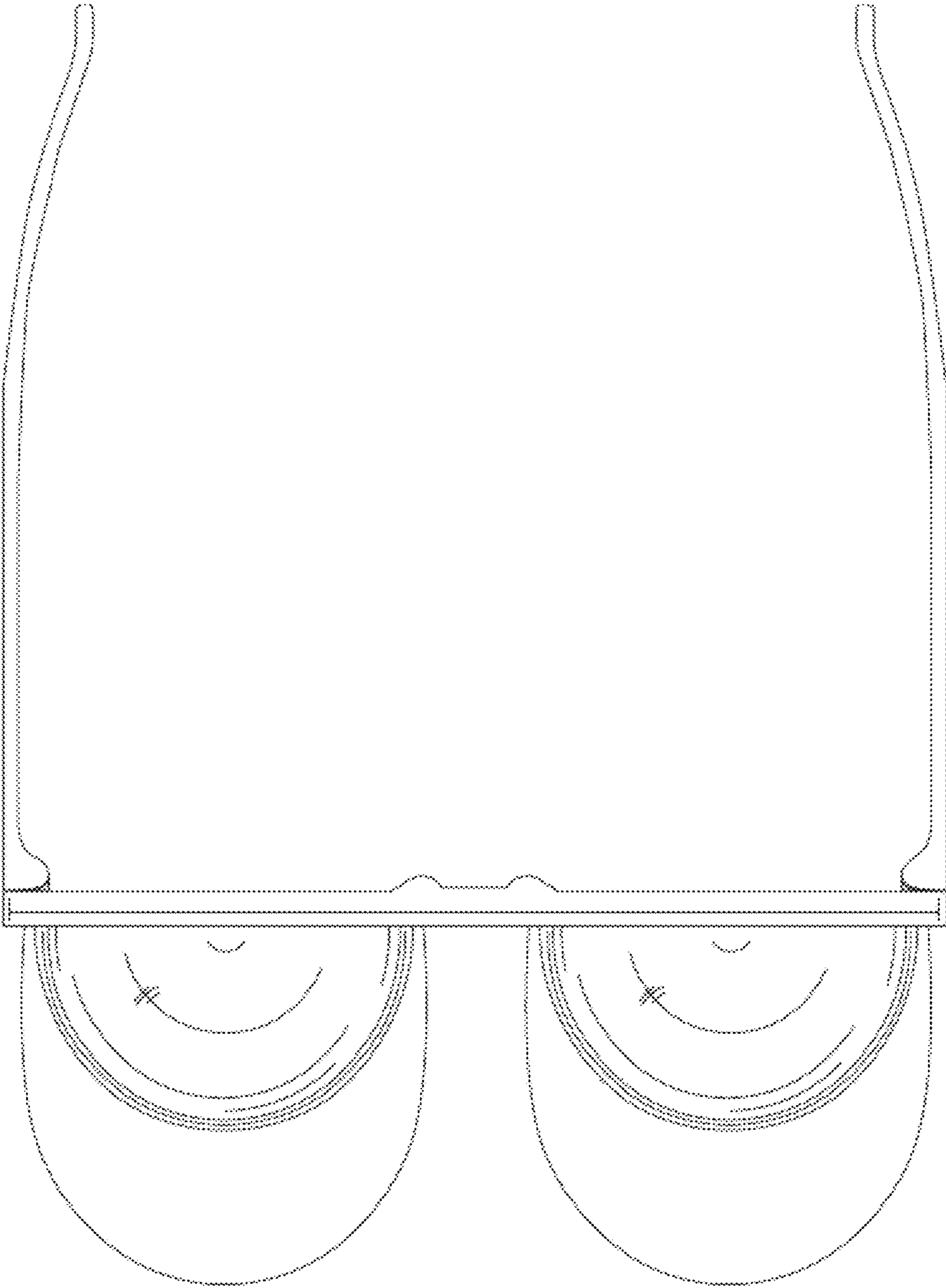




FIG. 15

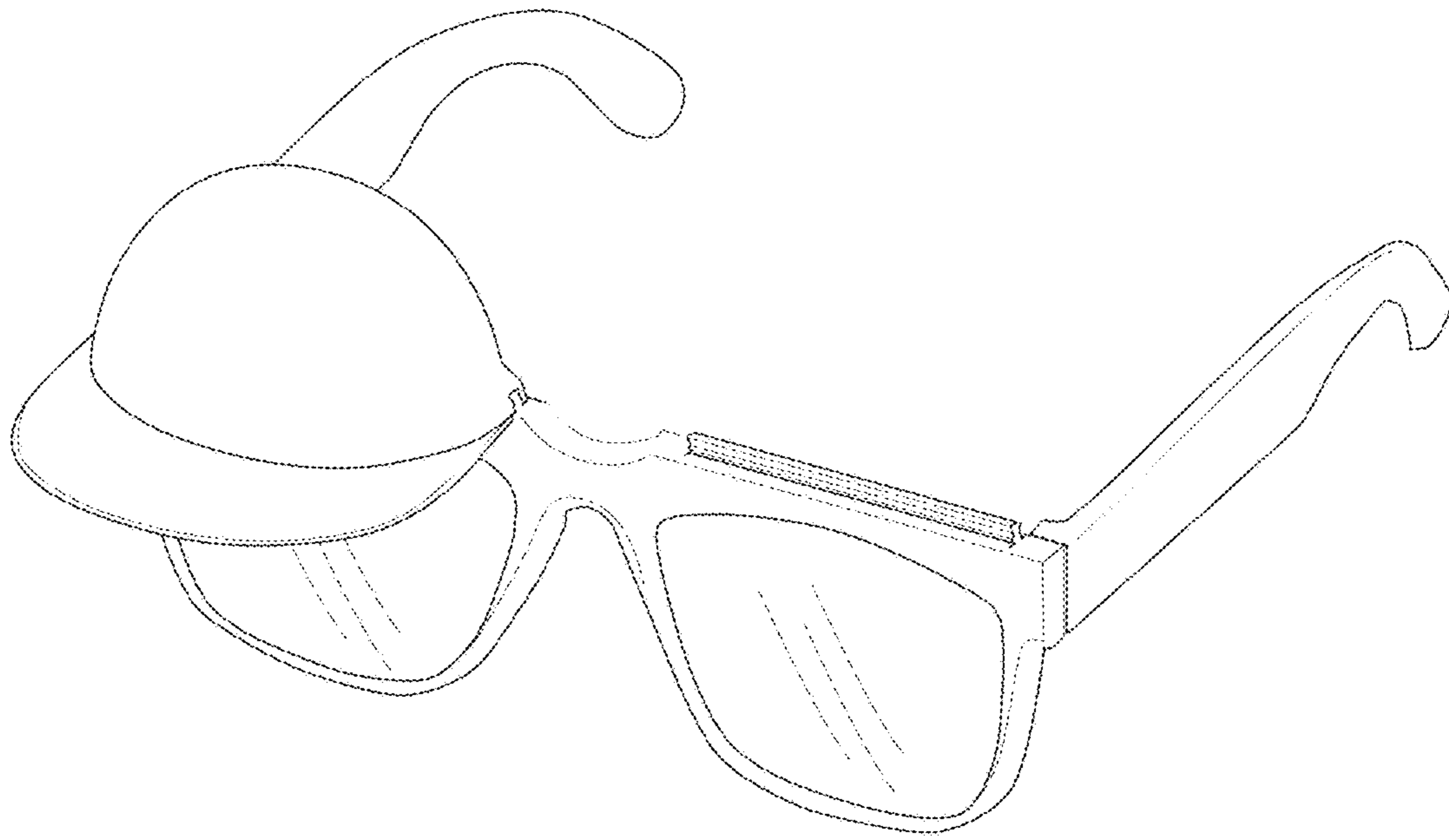


FIG. 16

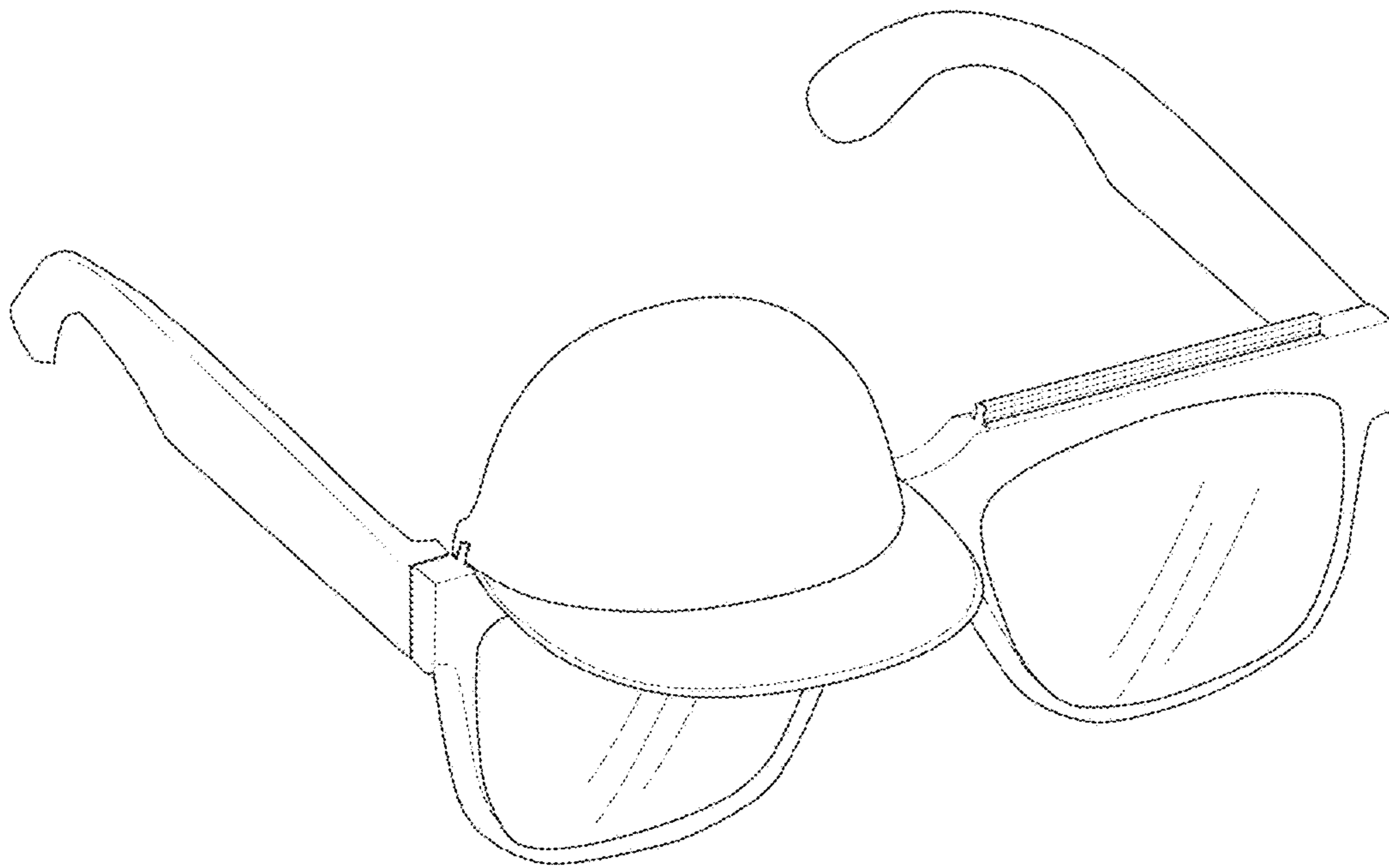


FIG. 17

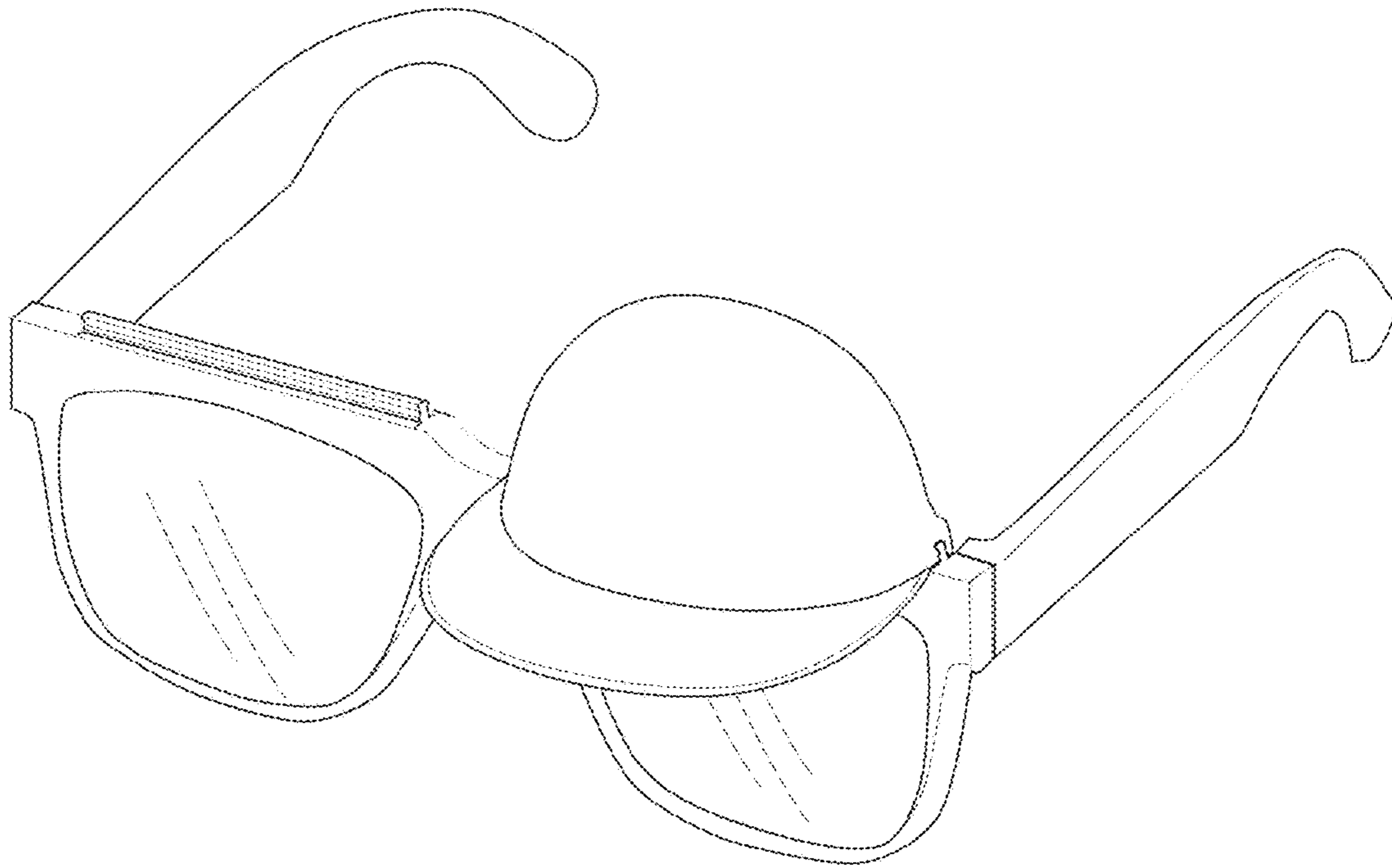


FIG. 18

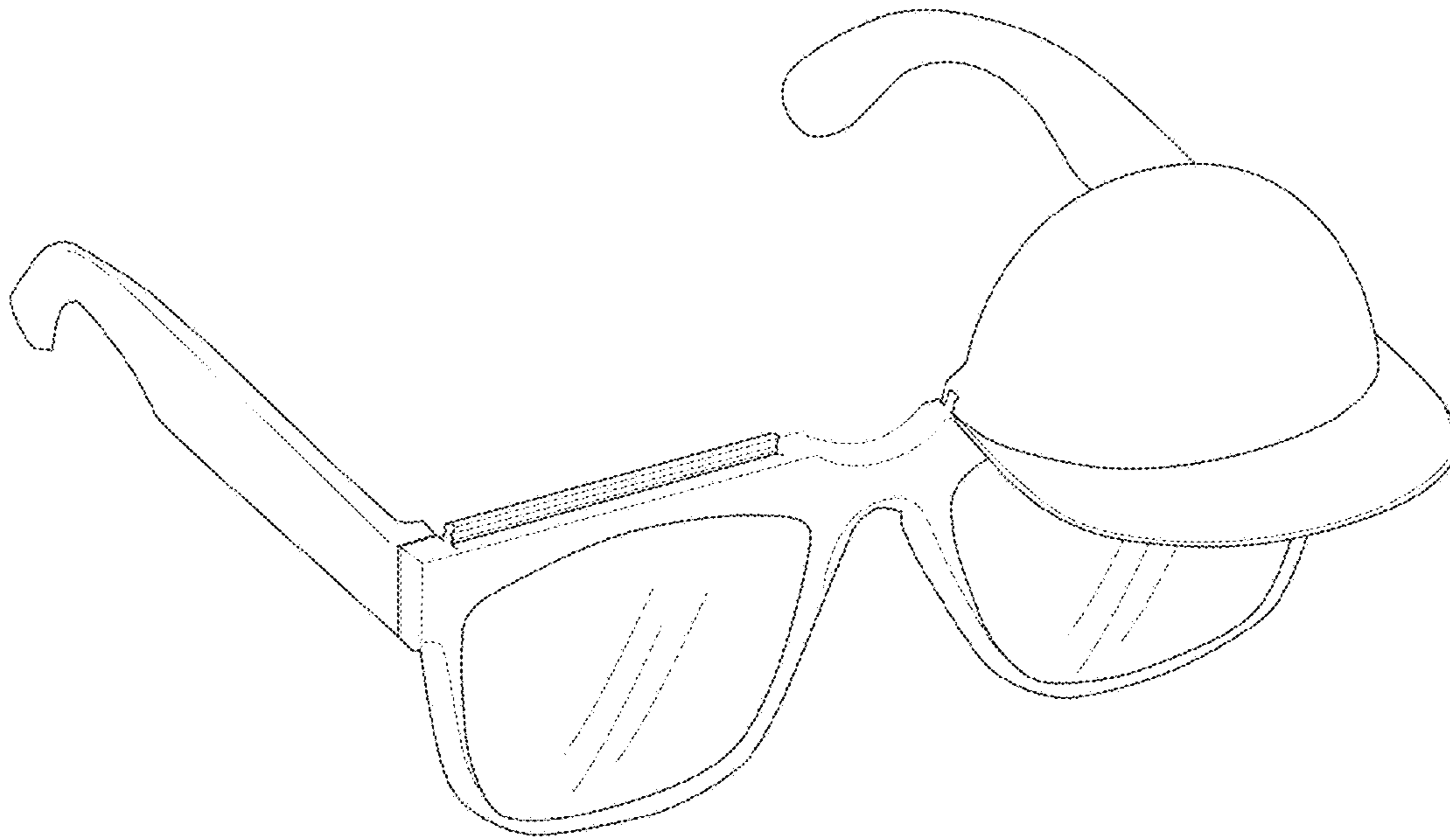


FIG. 19

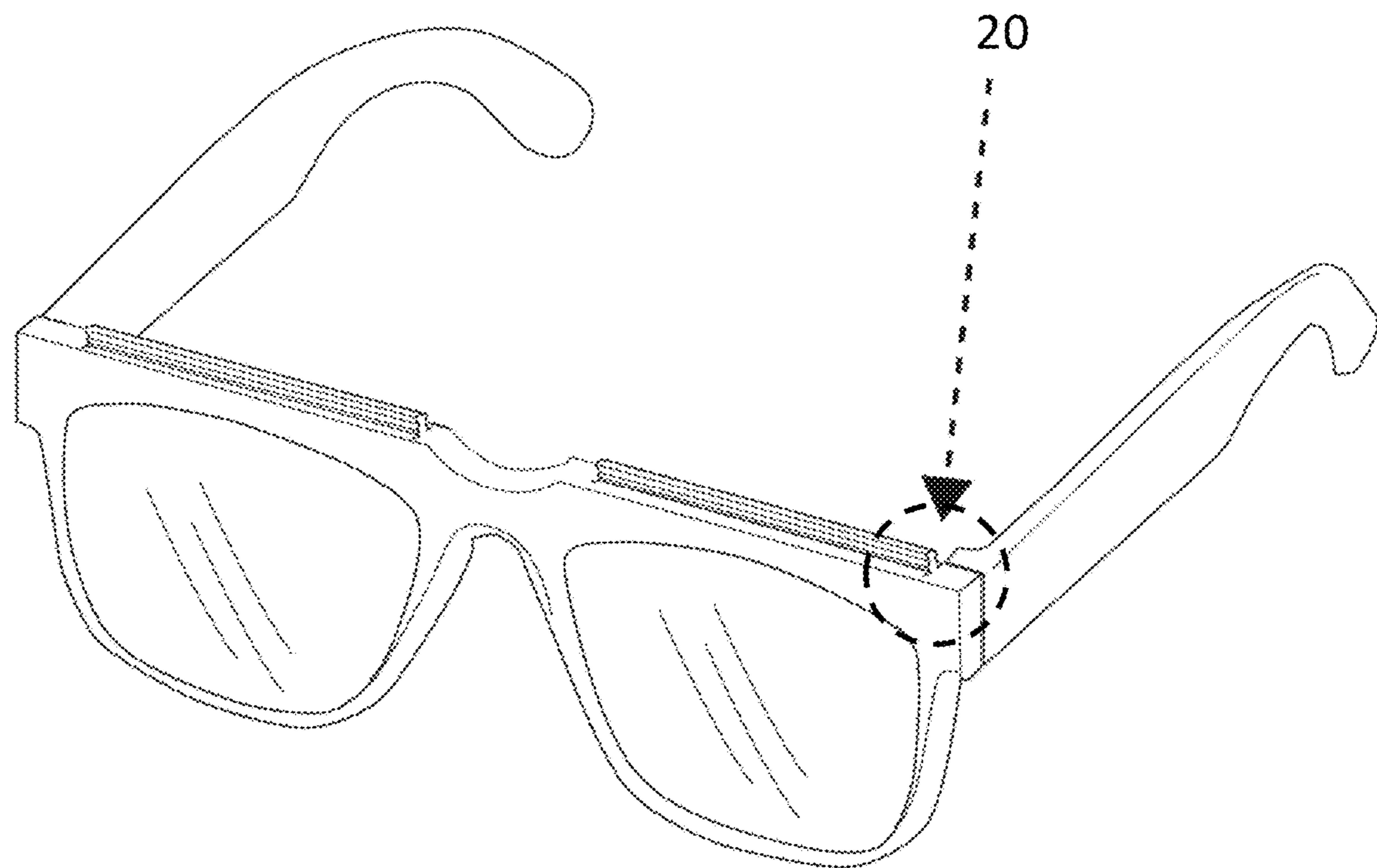


FIG. 20

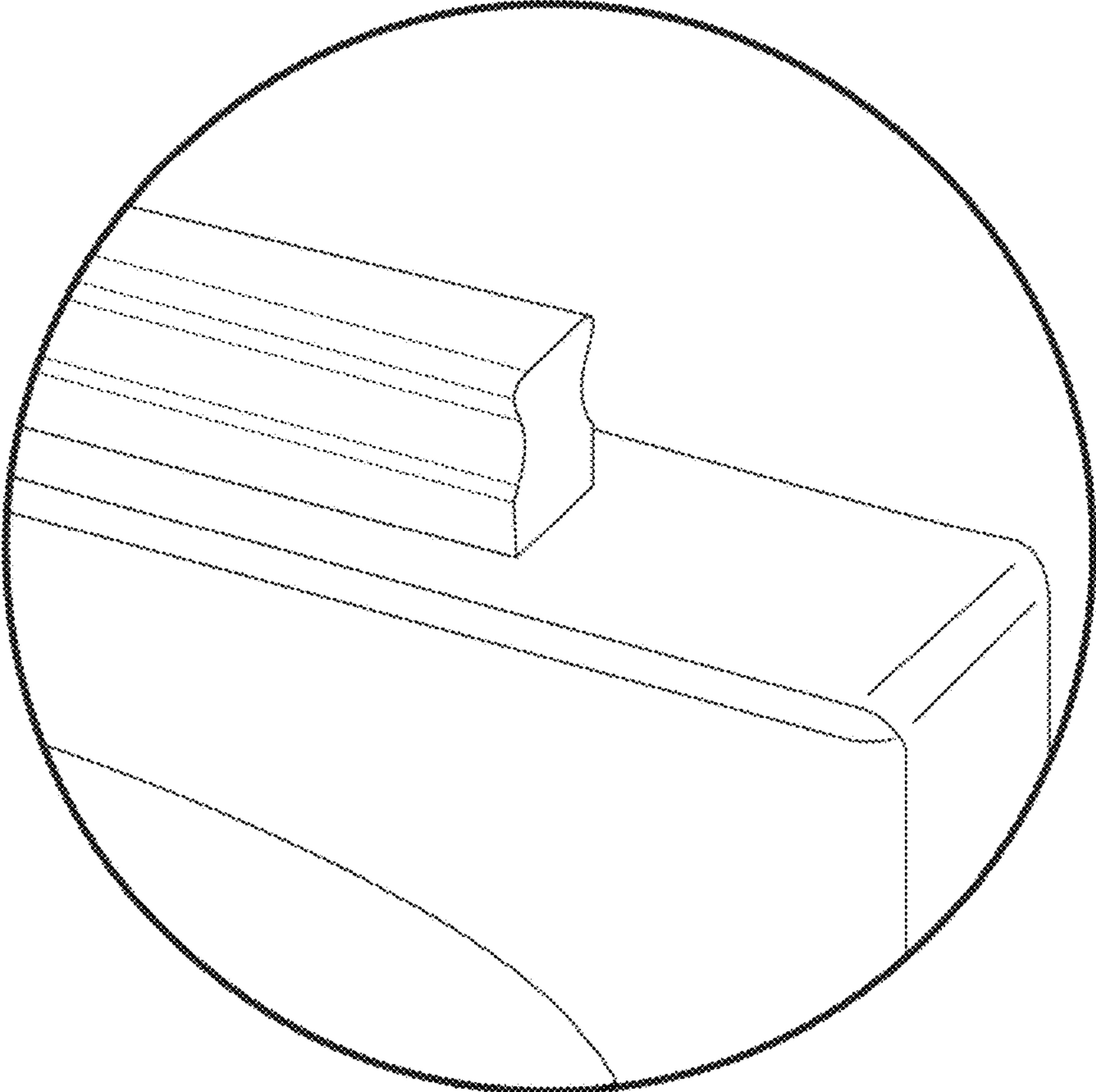


FIG. 21

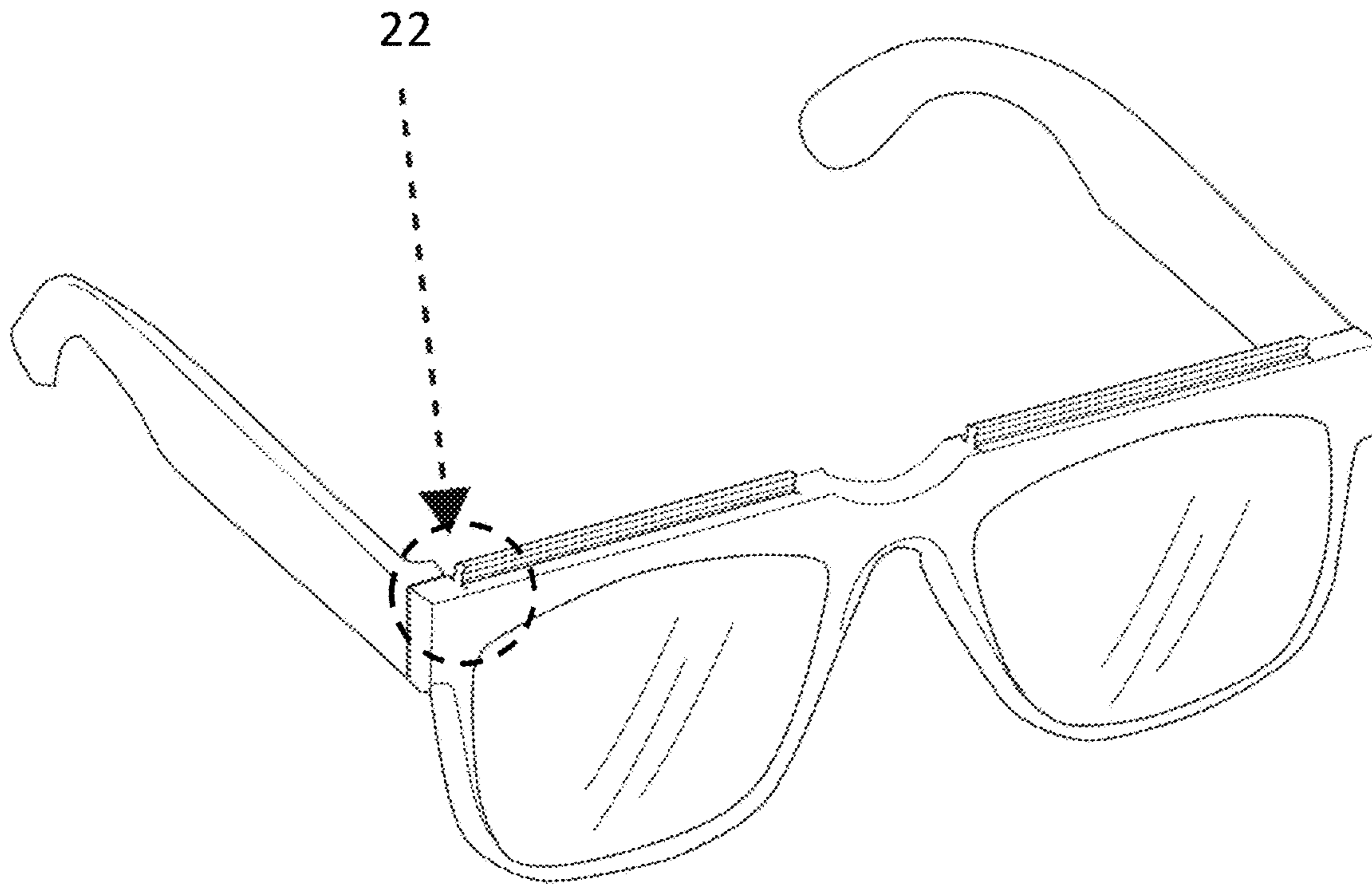


FIG. 22

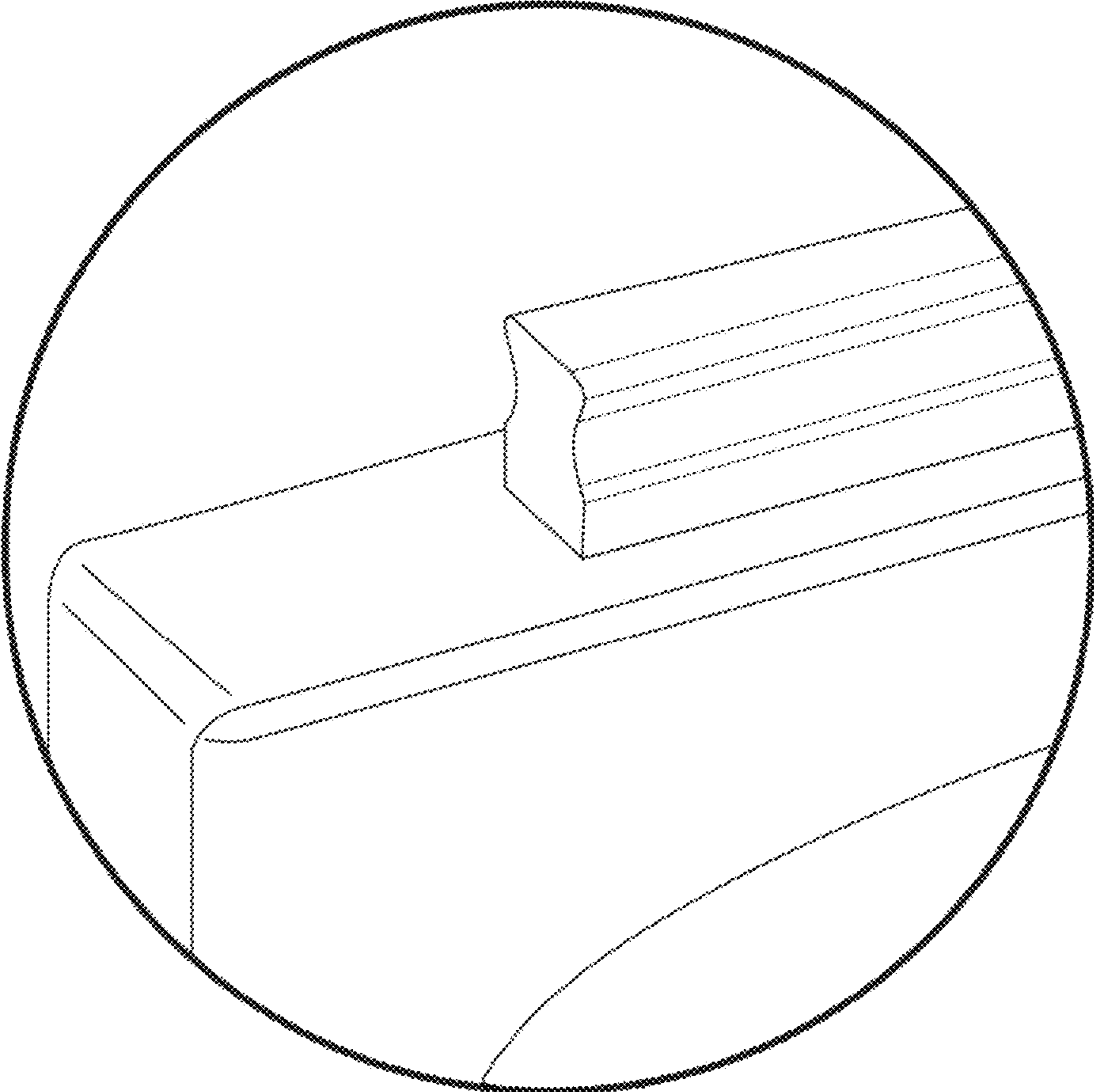




FIG. 23

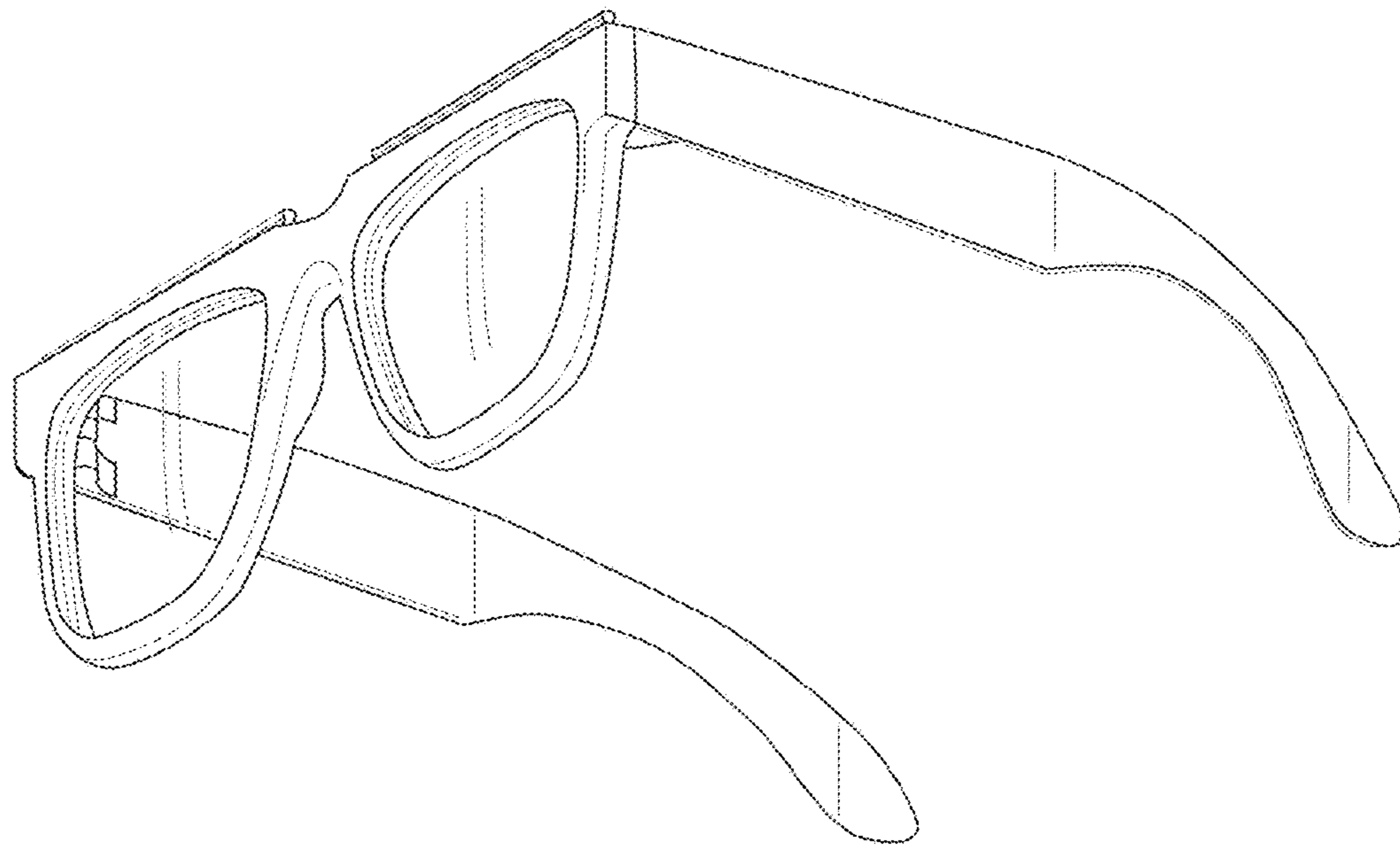


FIG. 24

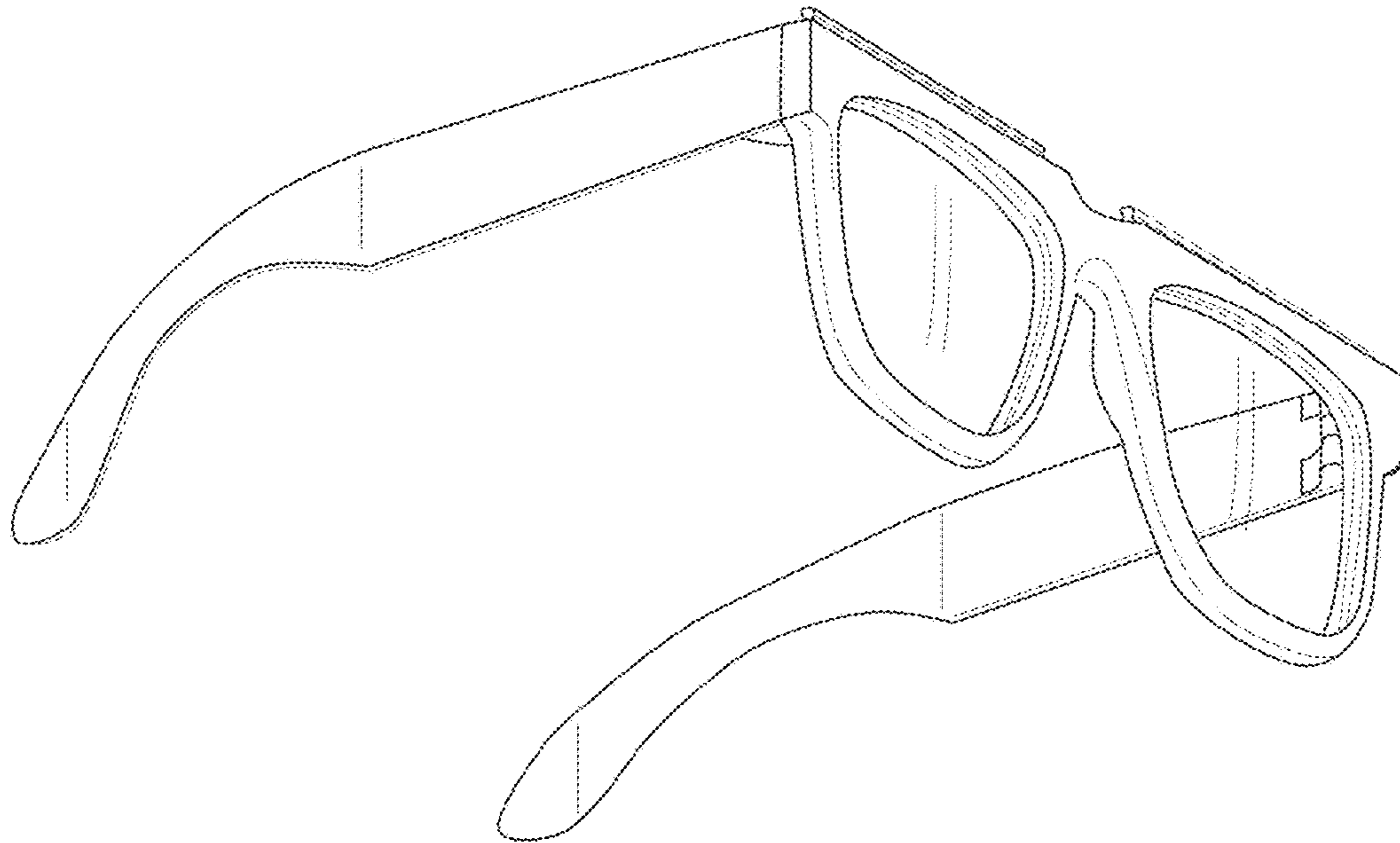


FIG. 25

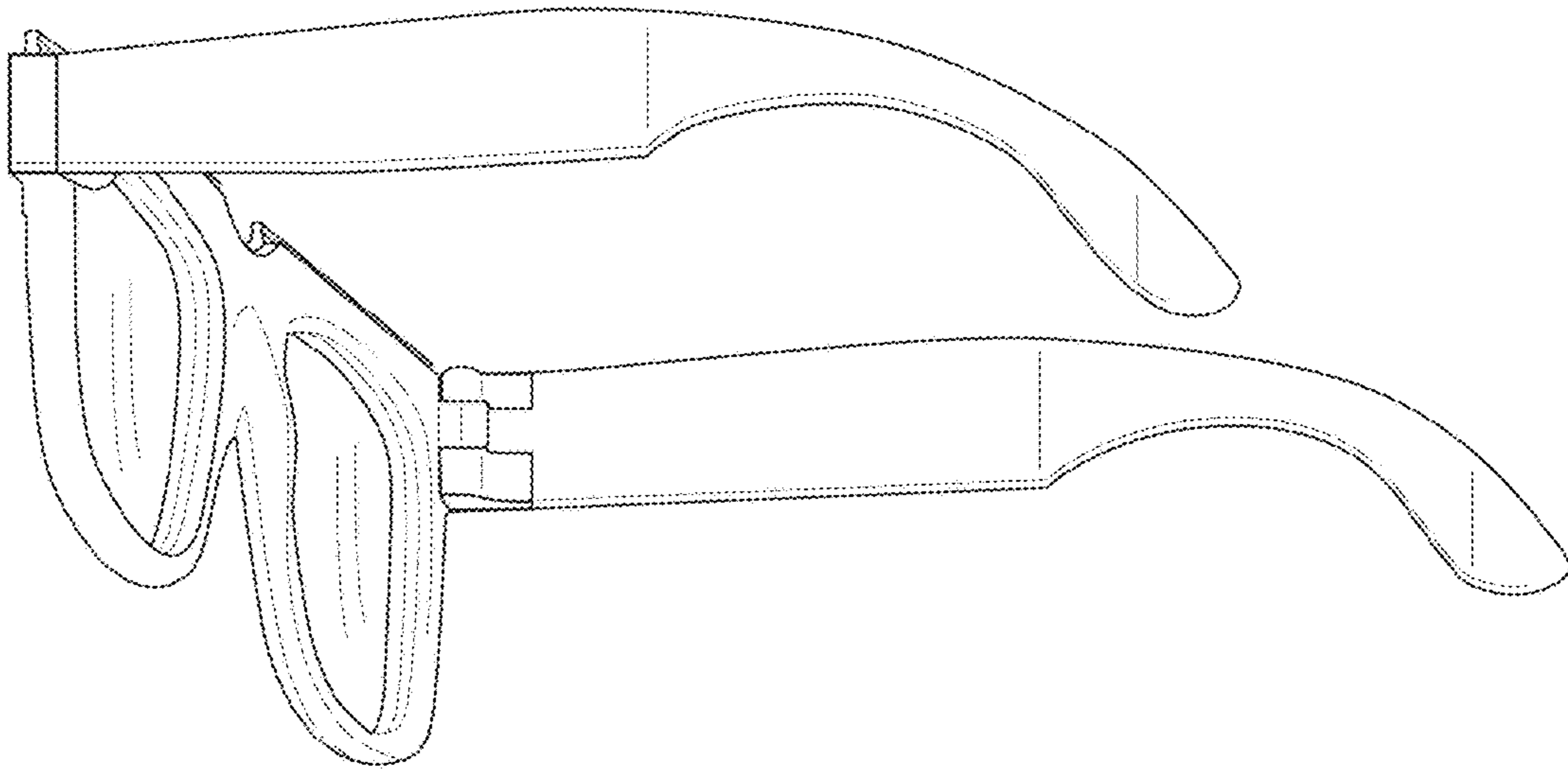


FIG. 26

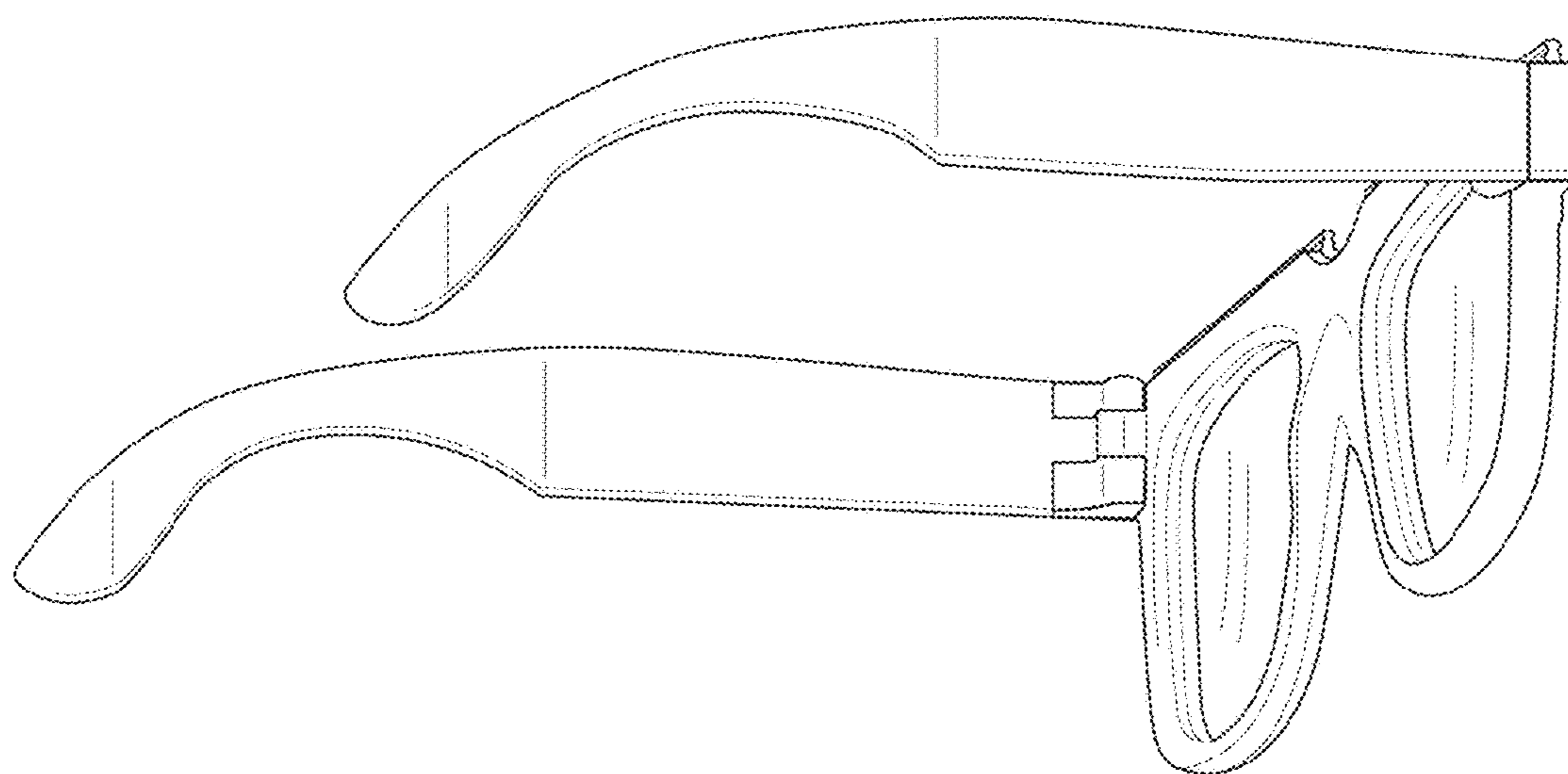


FIG. 27

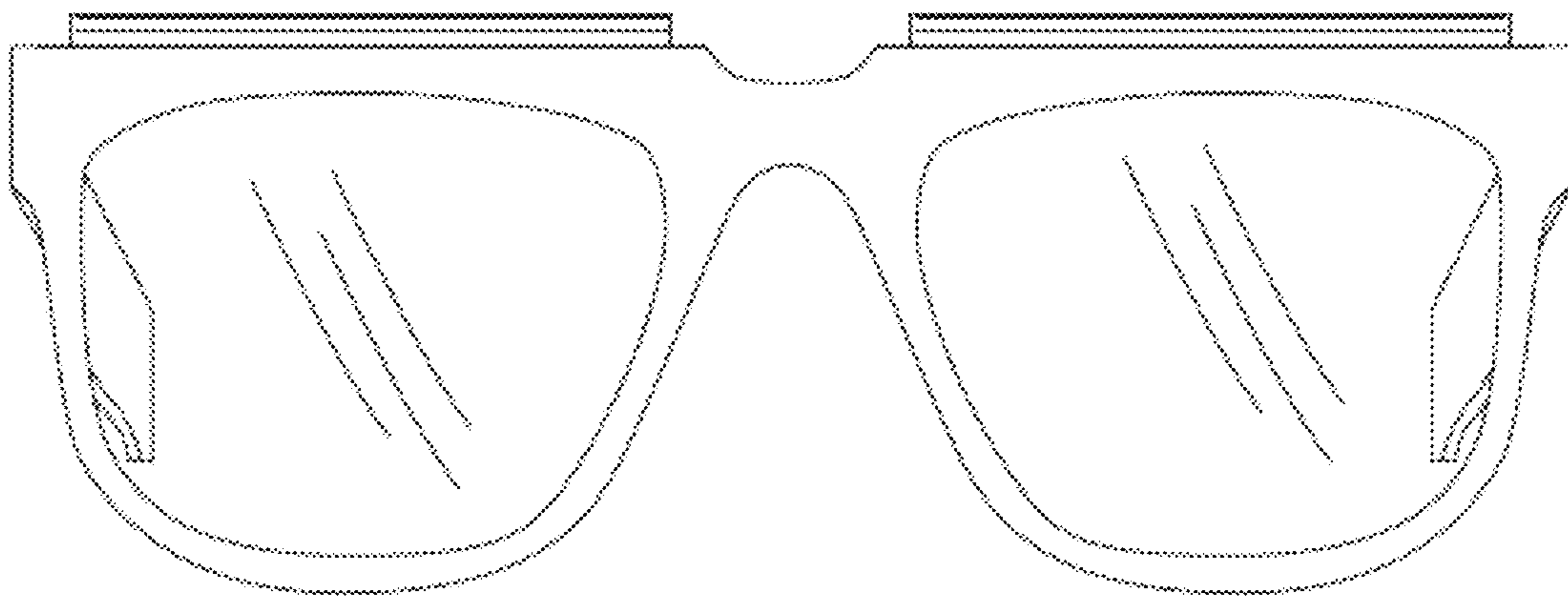


FIG. 28

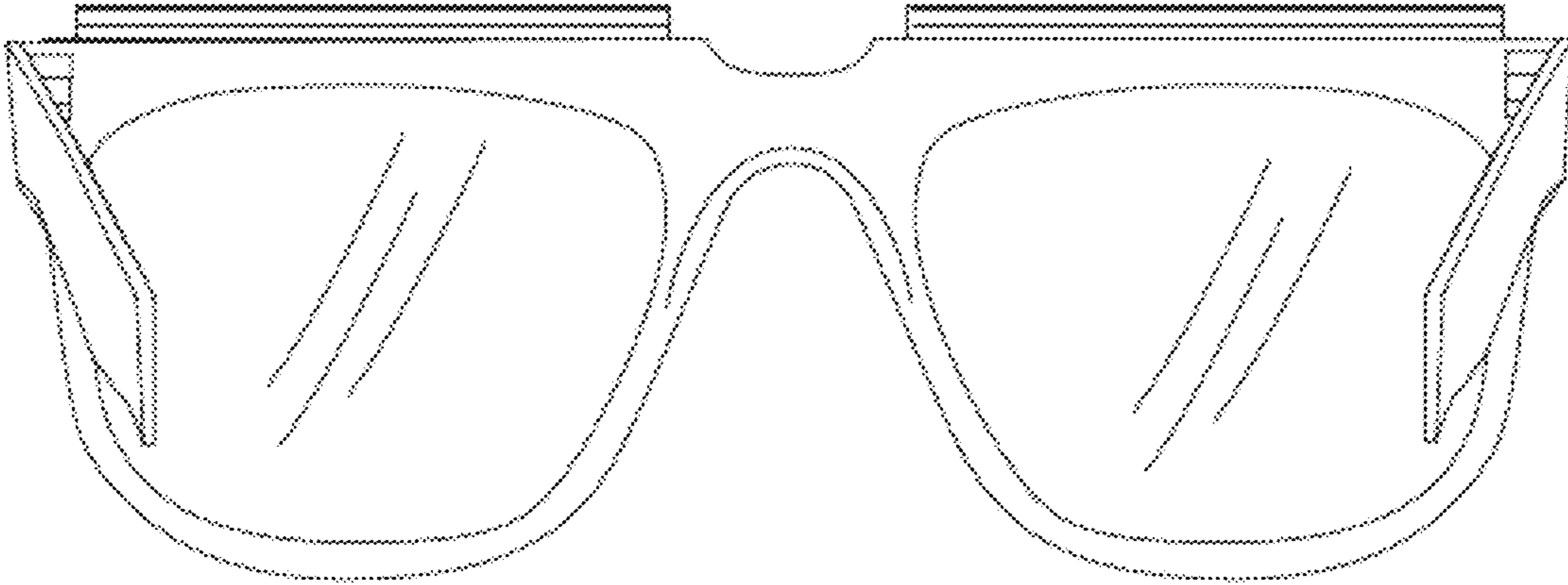


FIG. 29

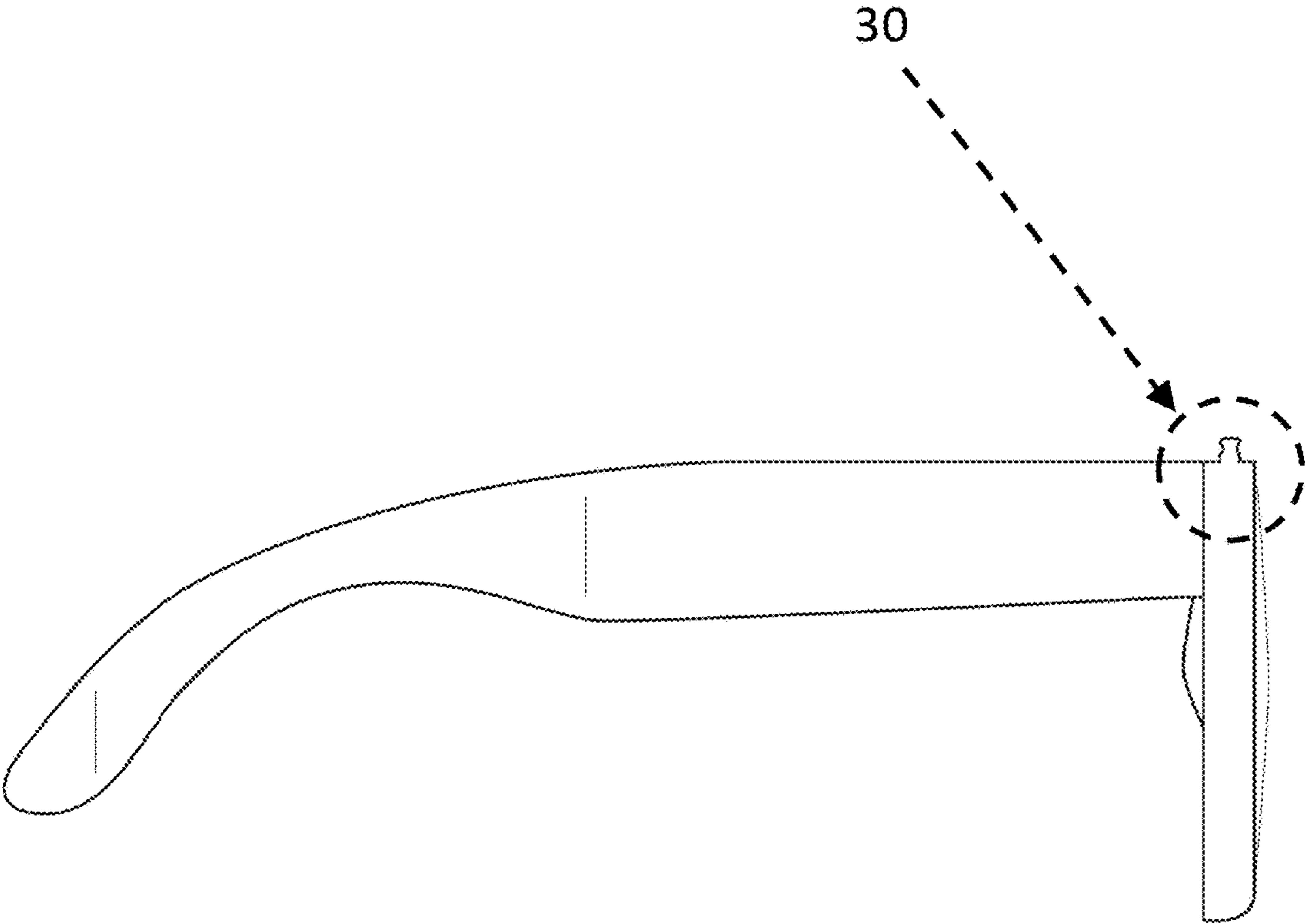


FIG. 30

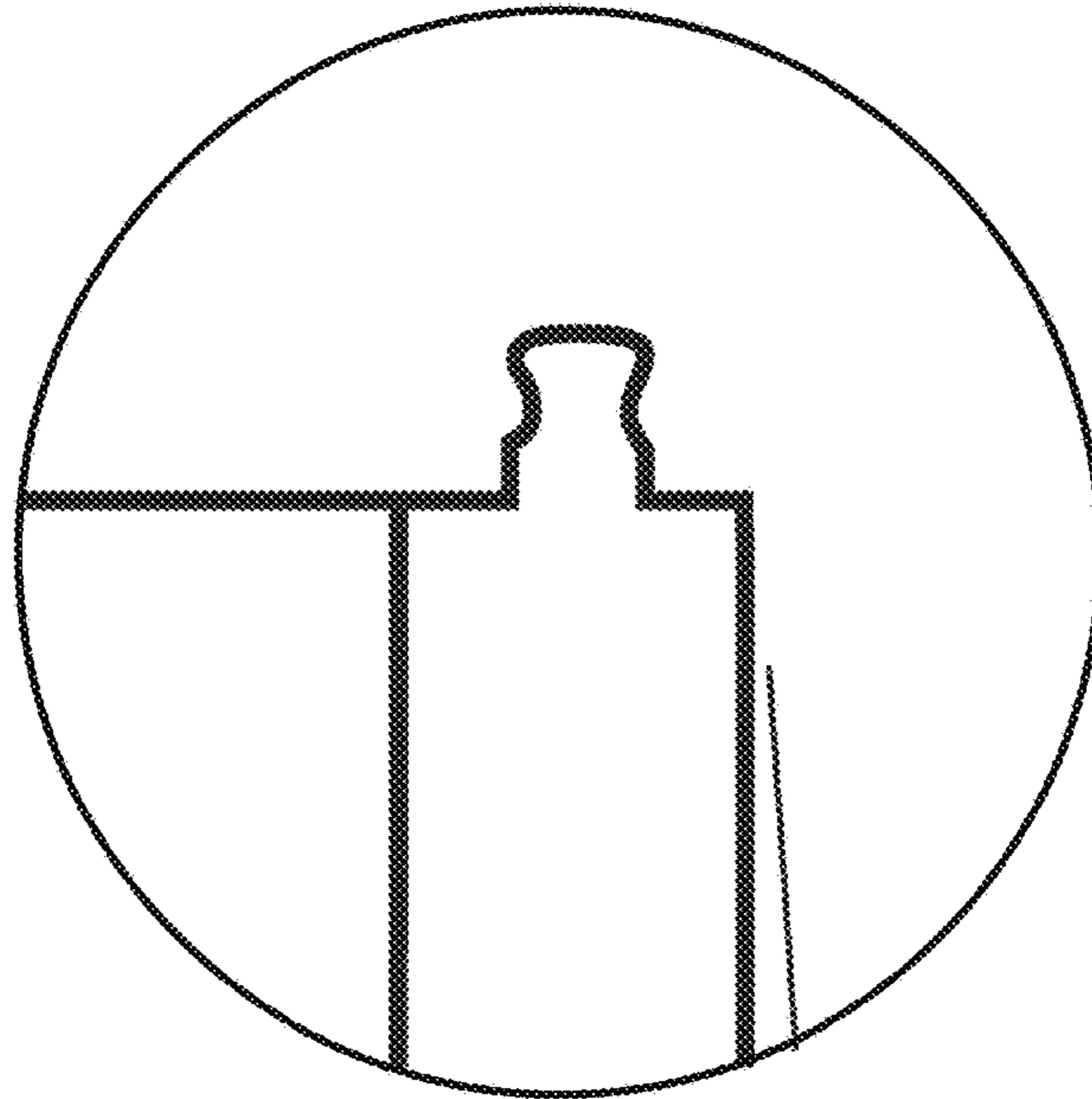




FIG. 31

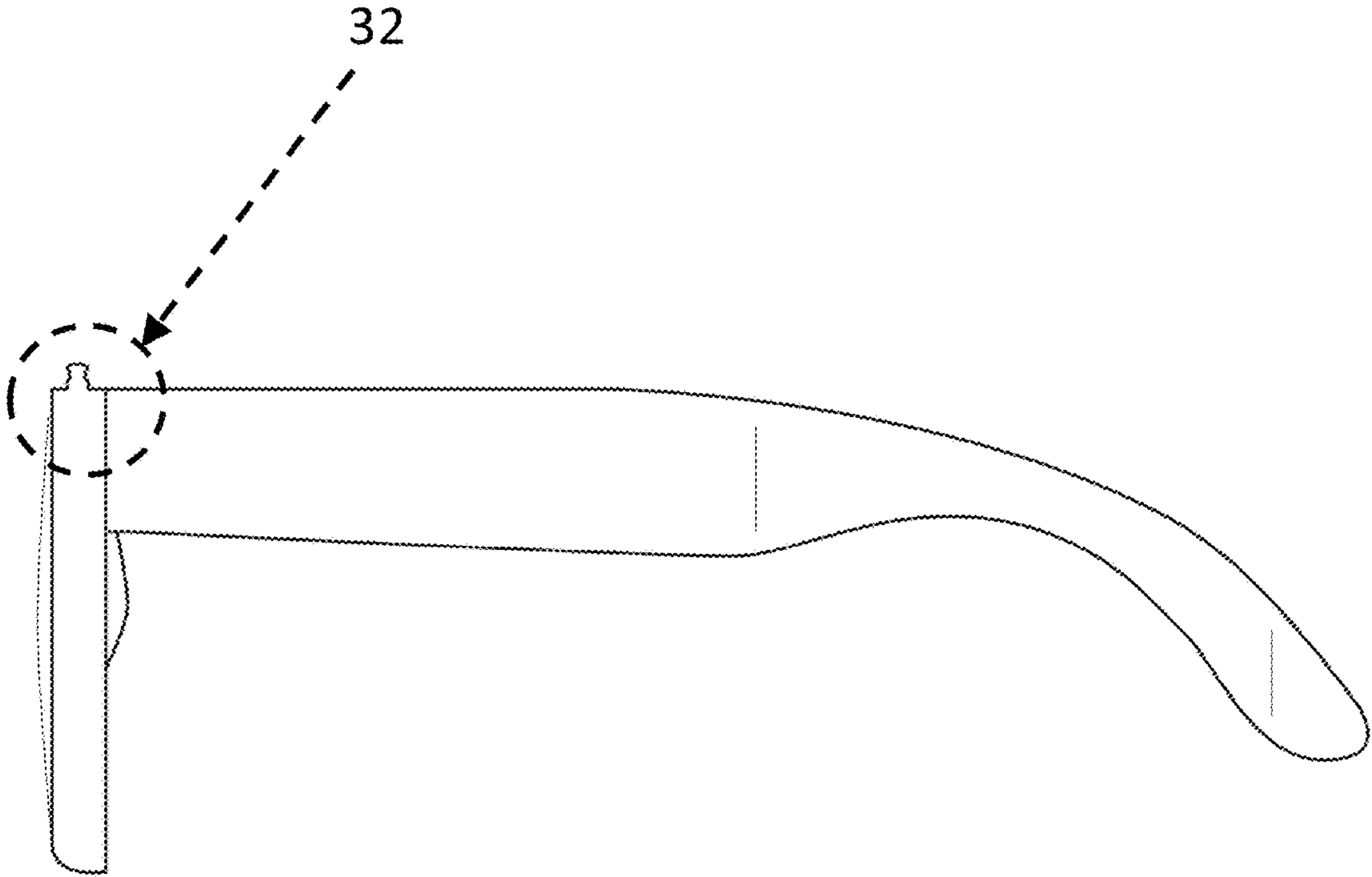


FIG. 32

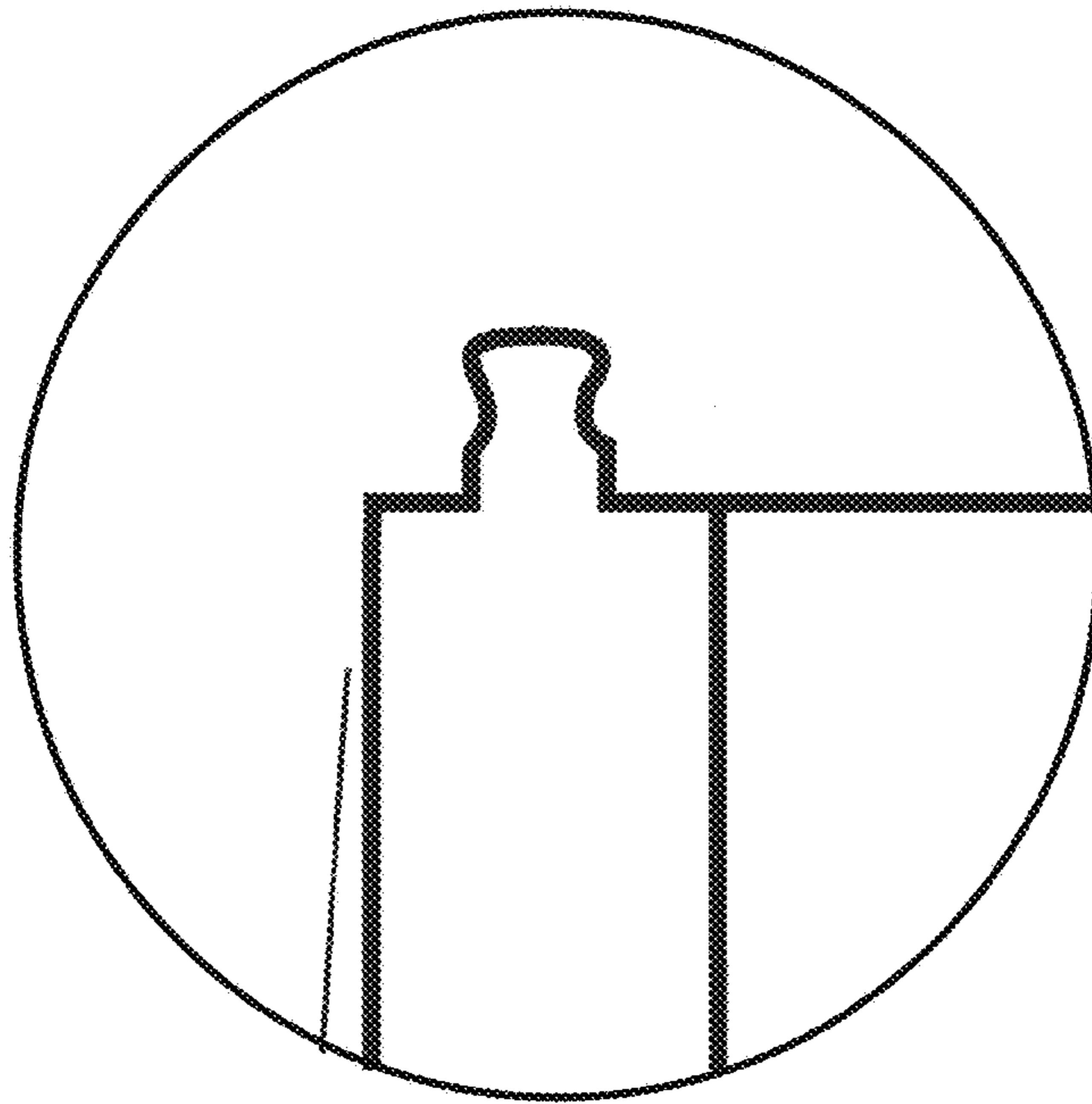


FIG. 33

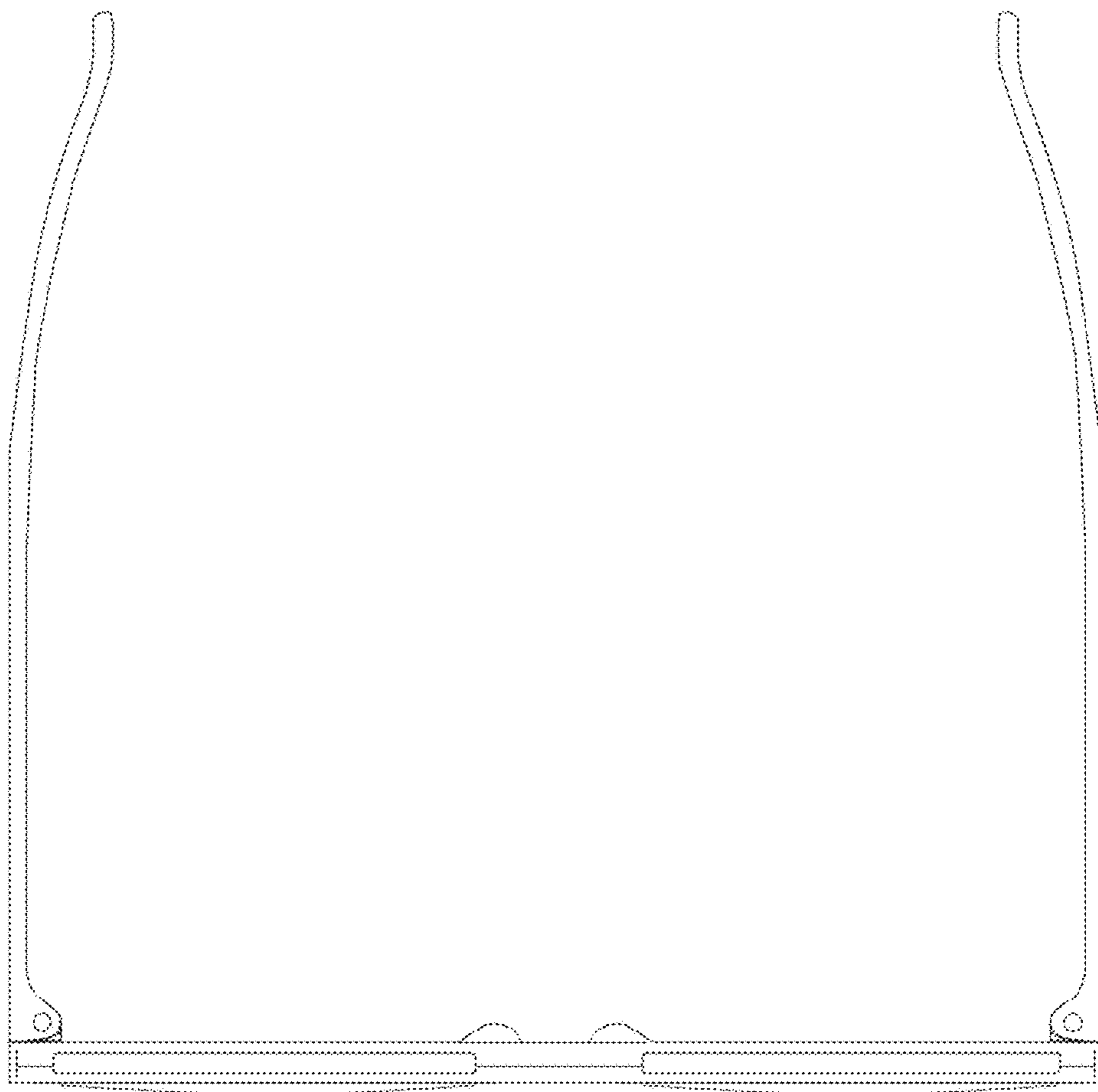


FIG. 34

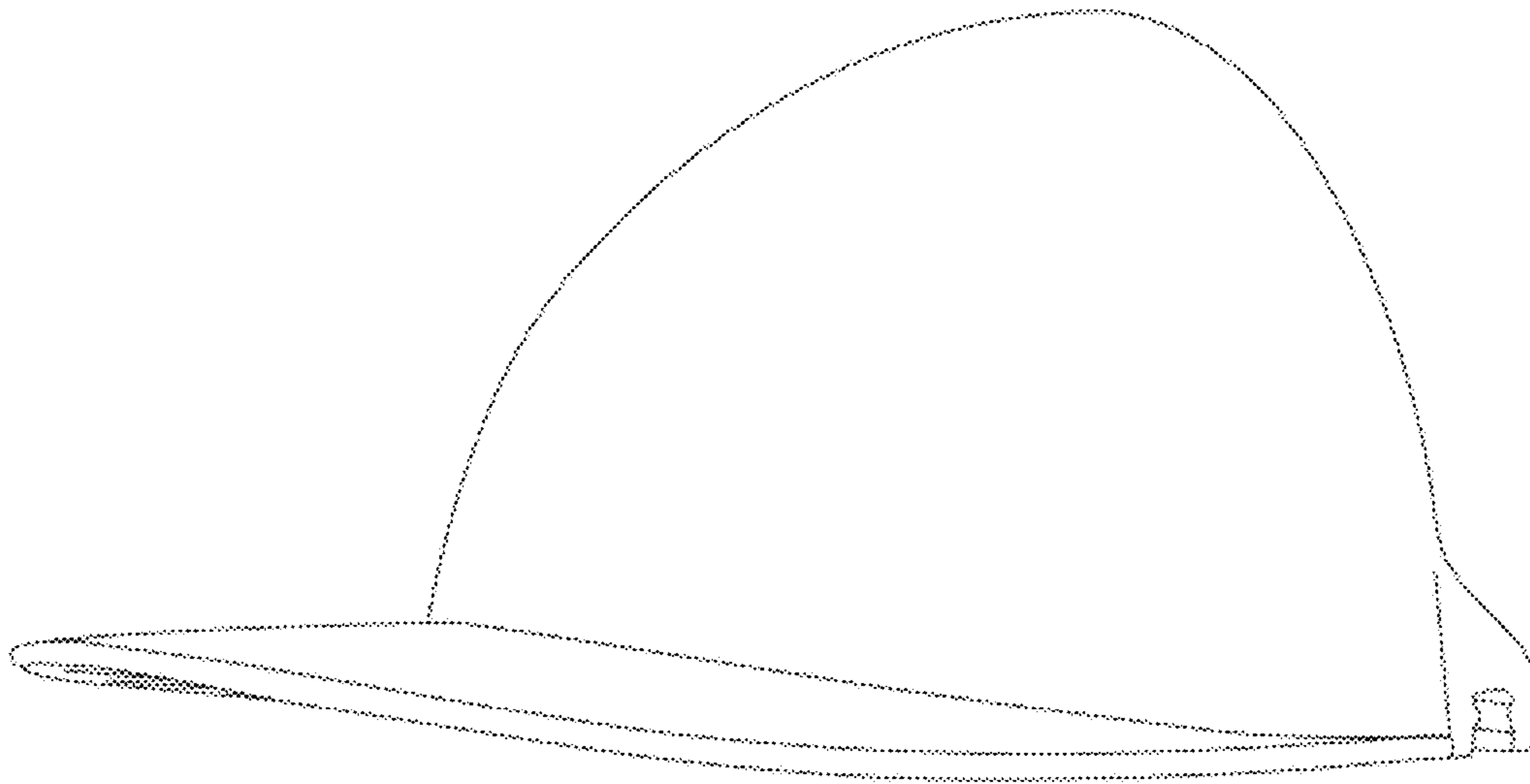


FIG. 35

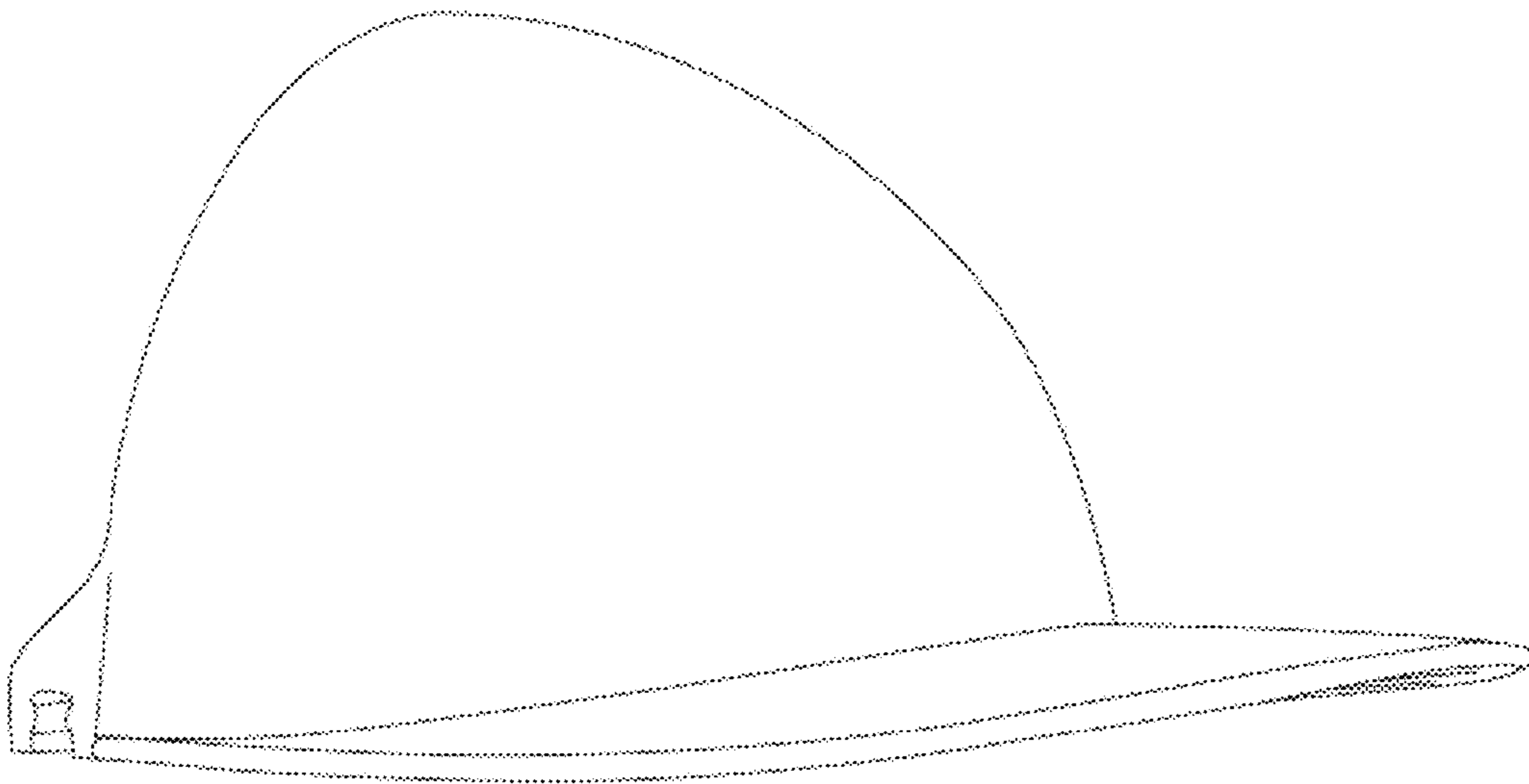


FIG. 36

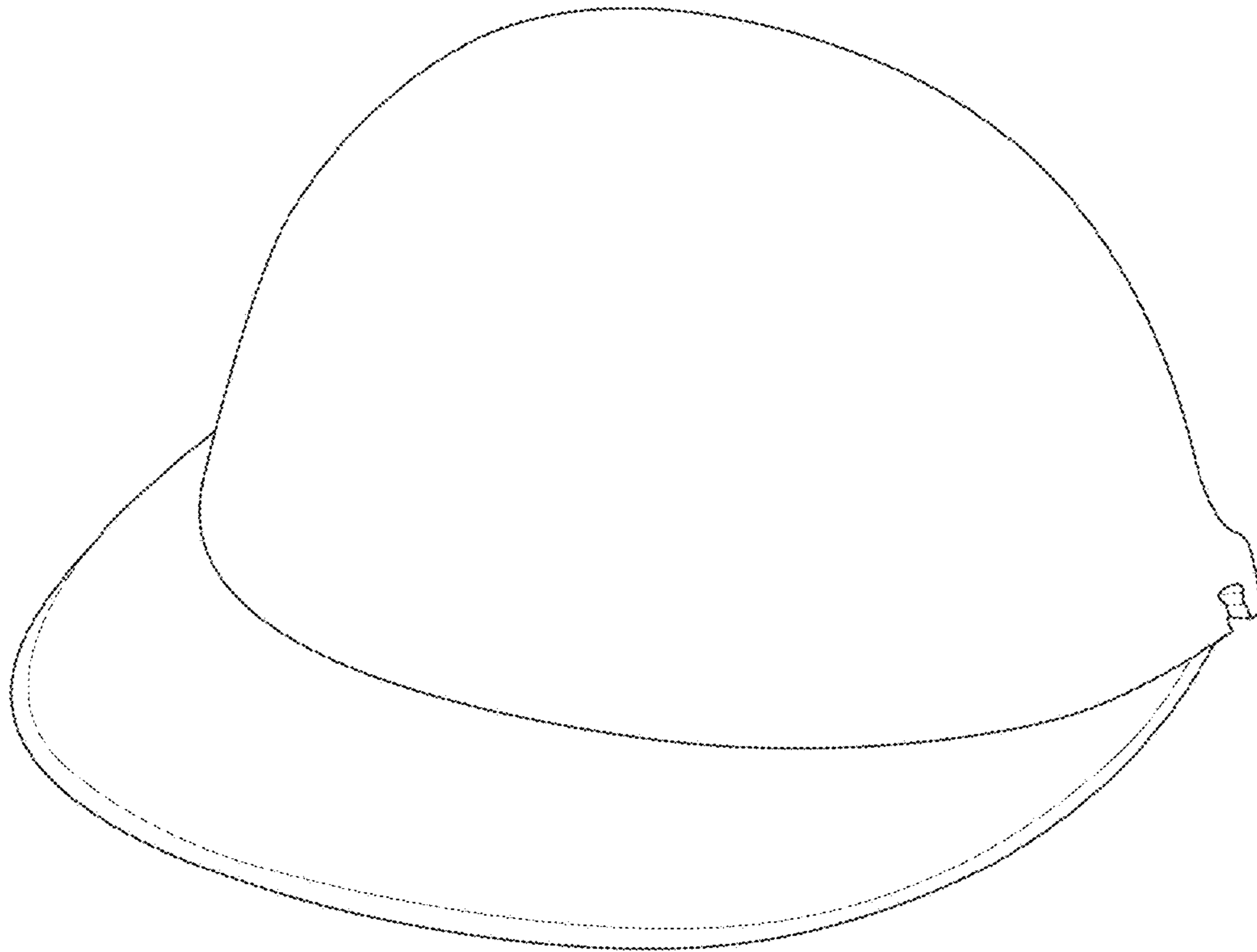


FIG. 37

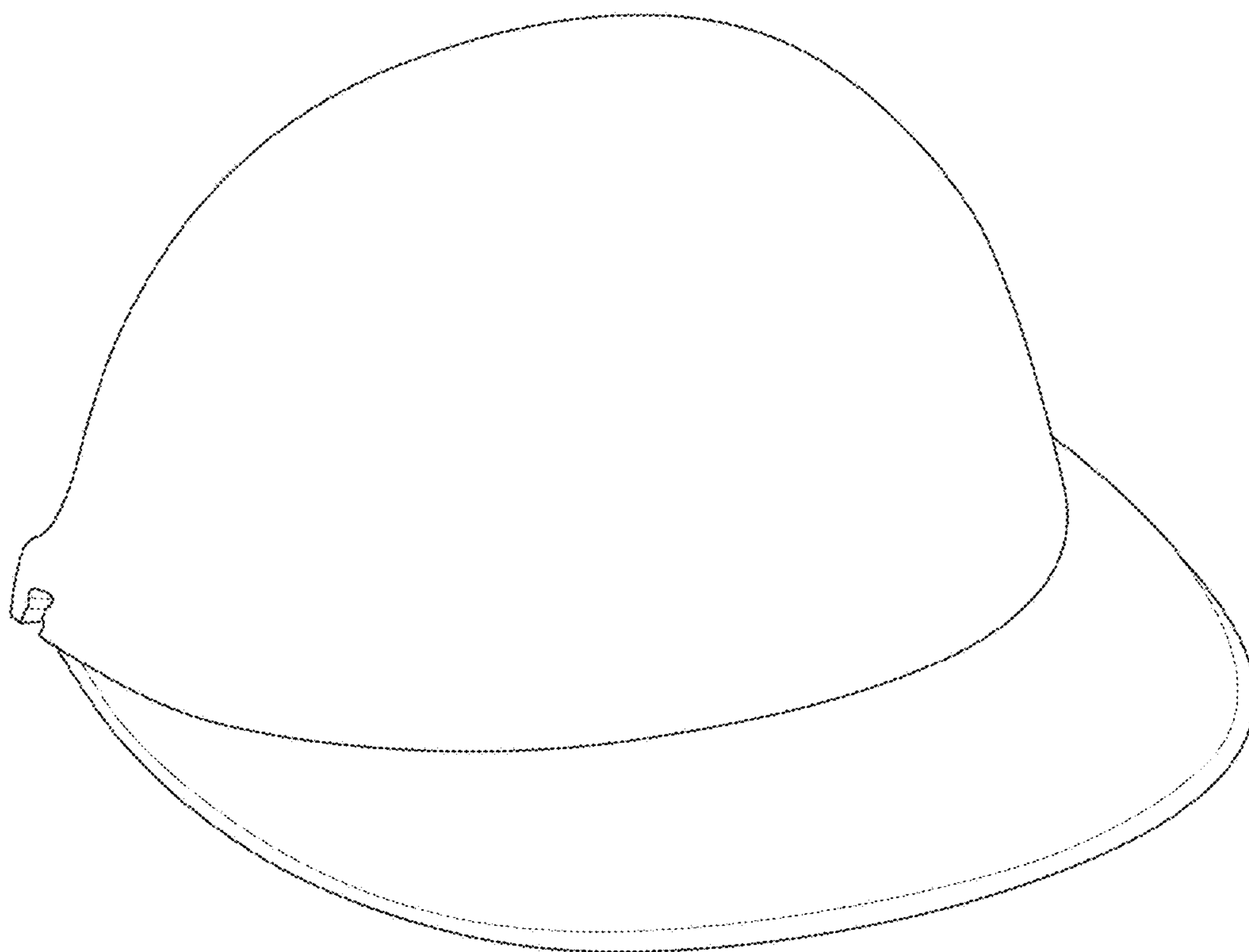


FIG. 38

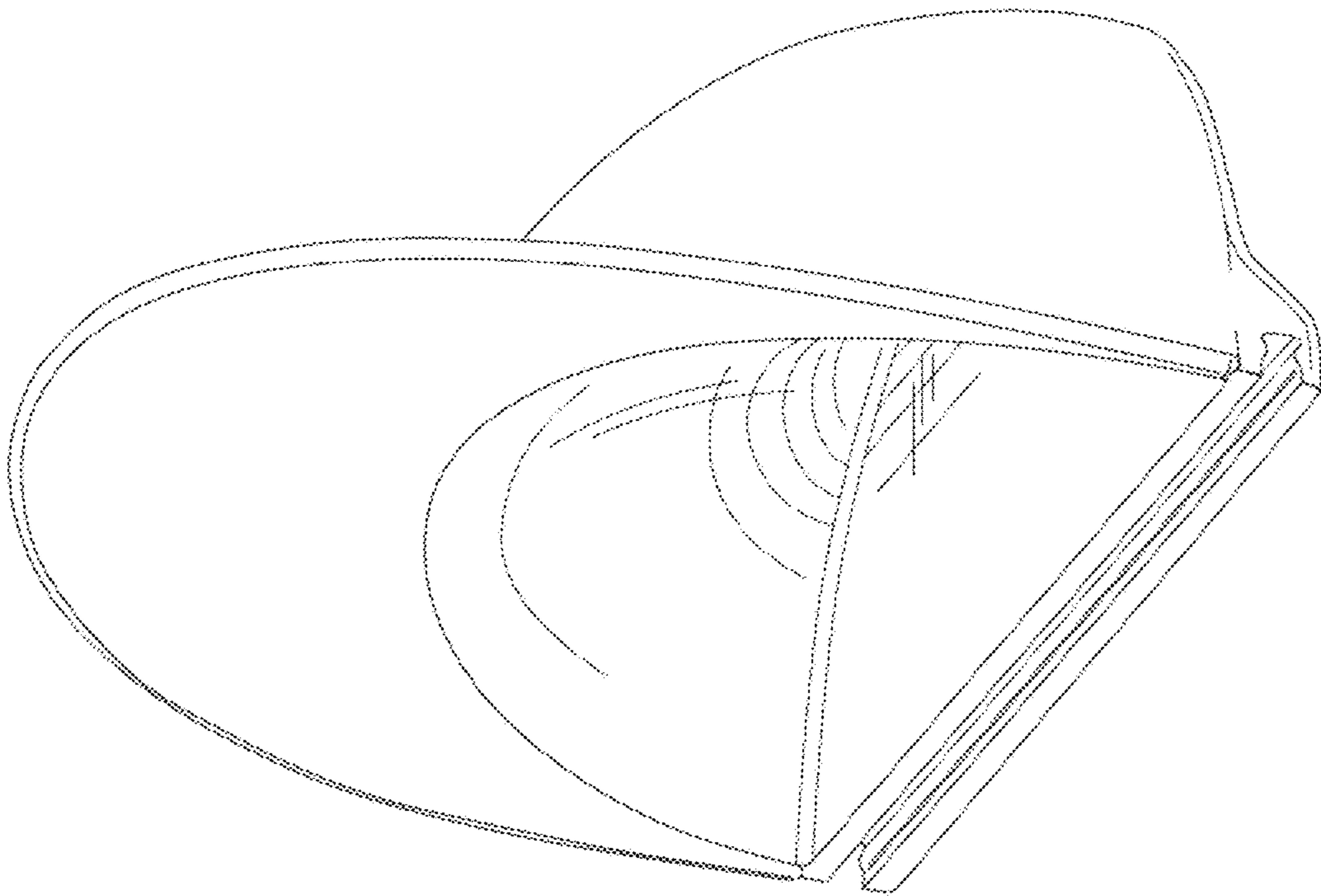




FIG. 39

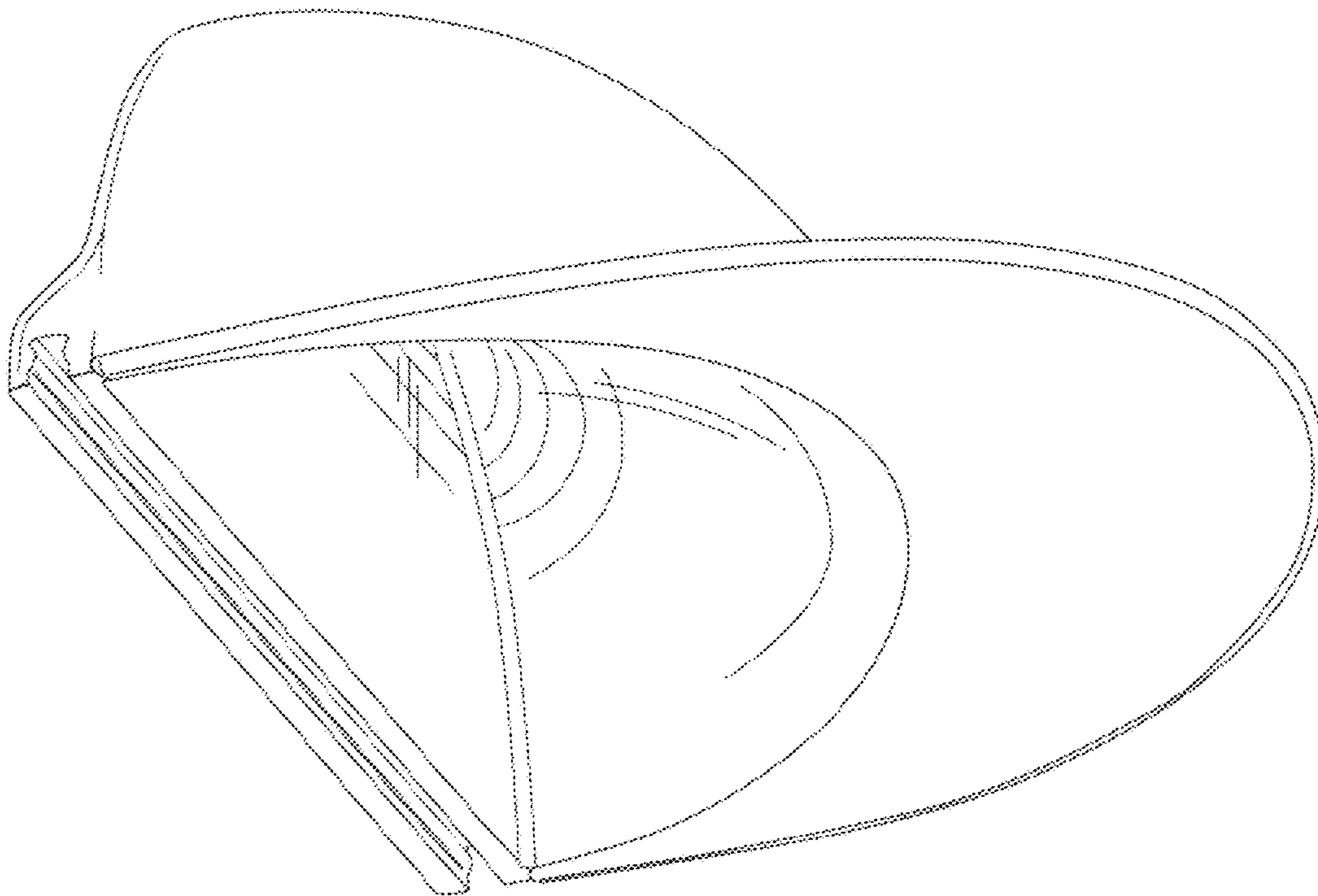


FIG. 40

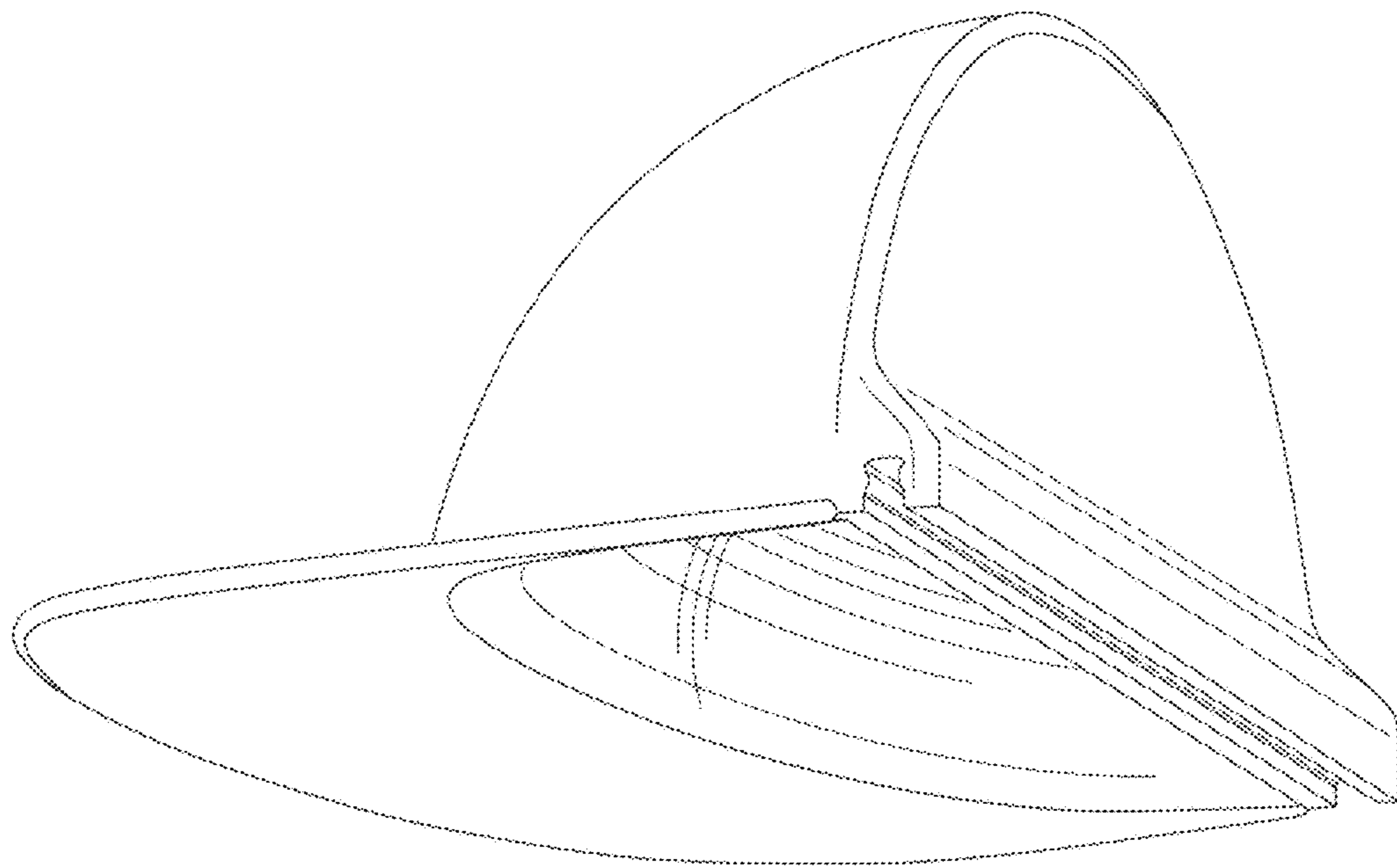


FIG. 41

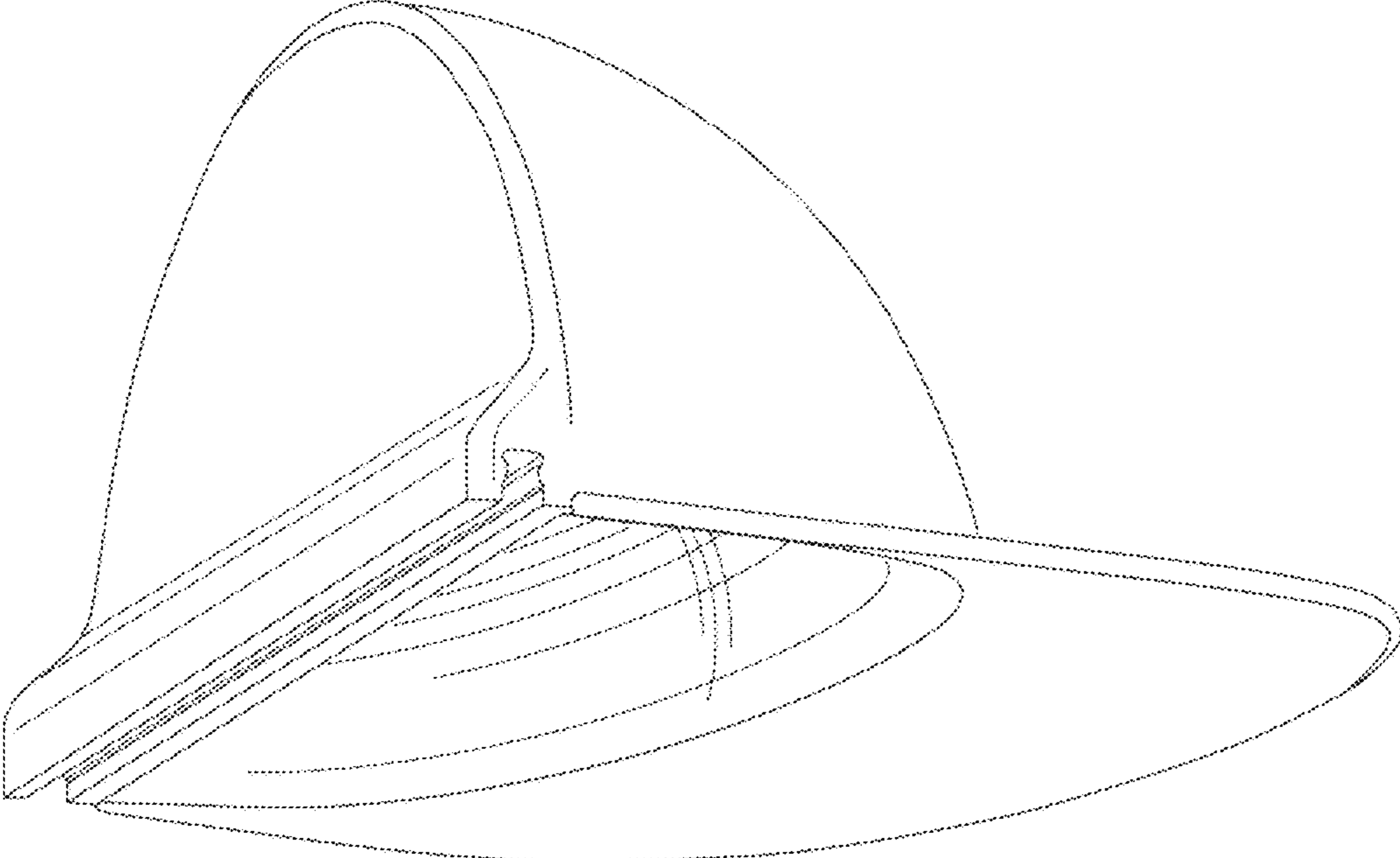


FIG. 42

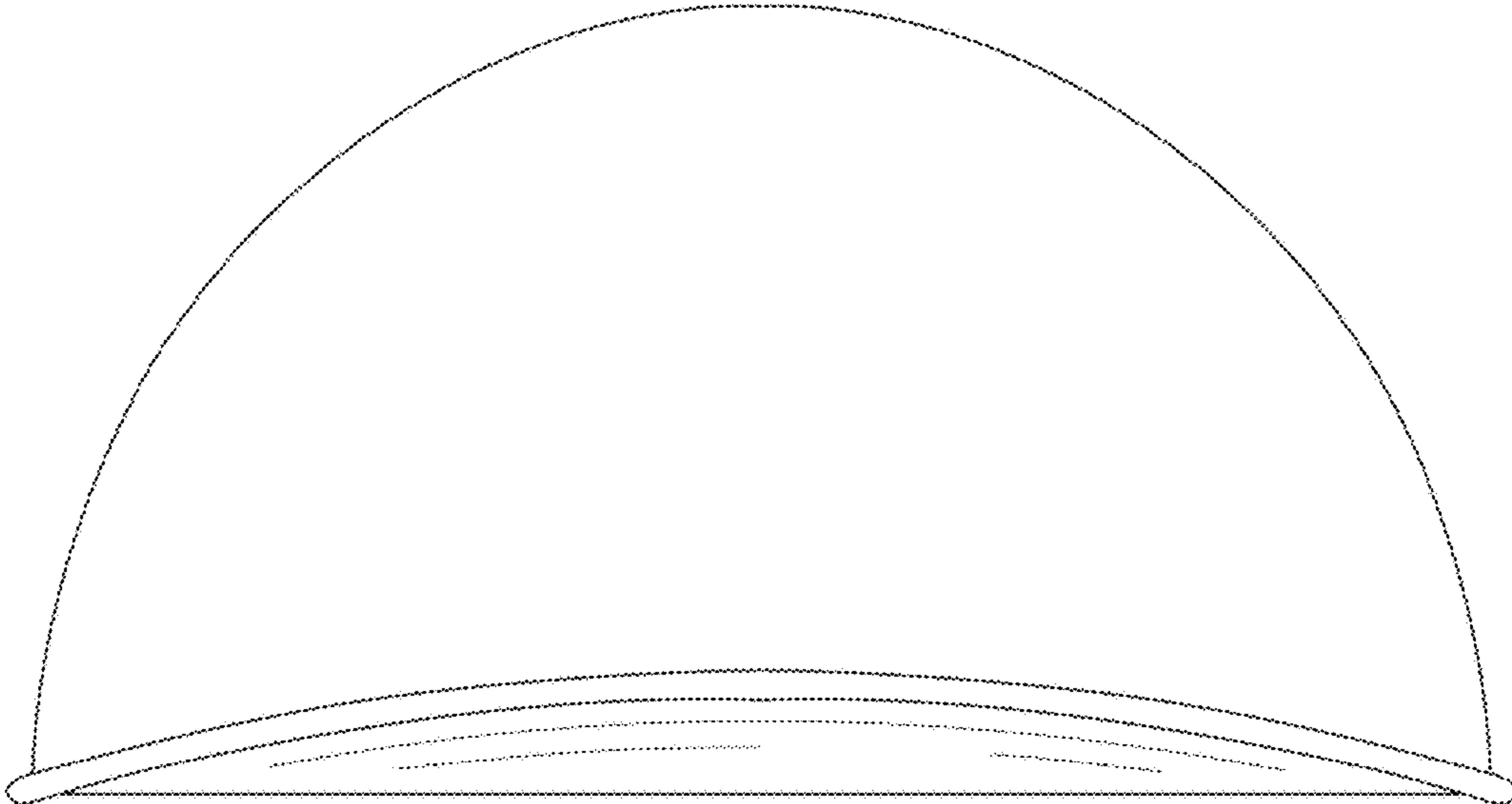


FIG. 43

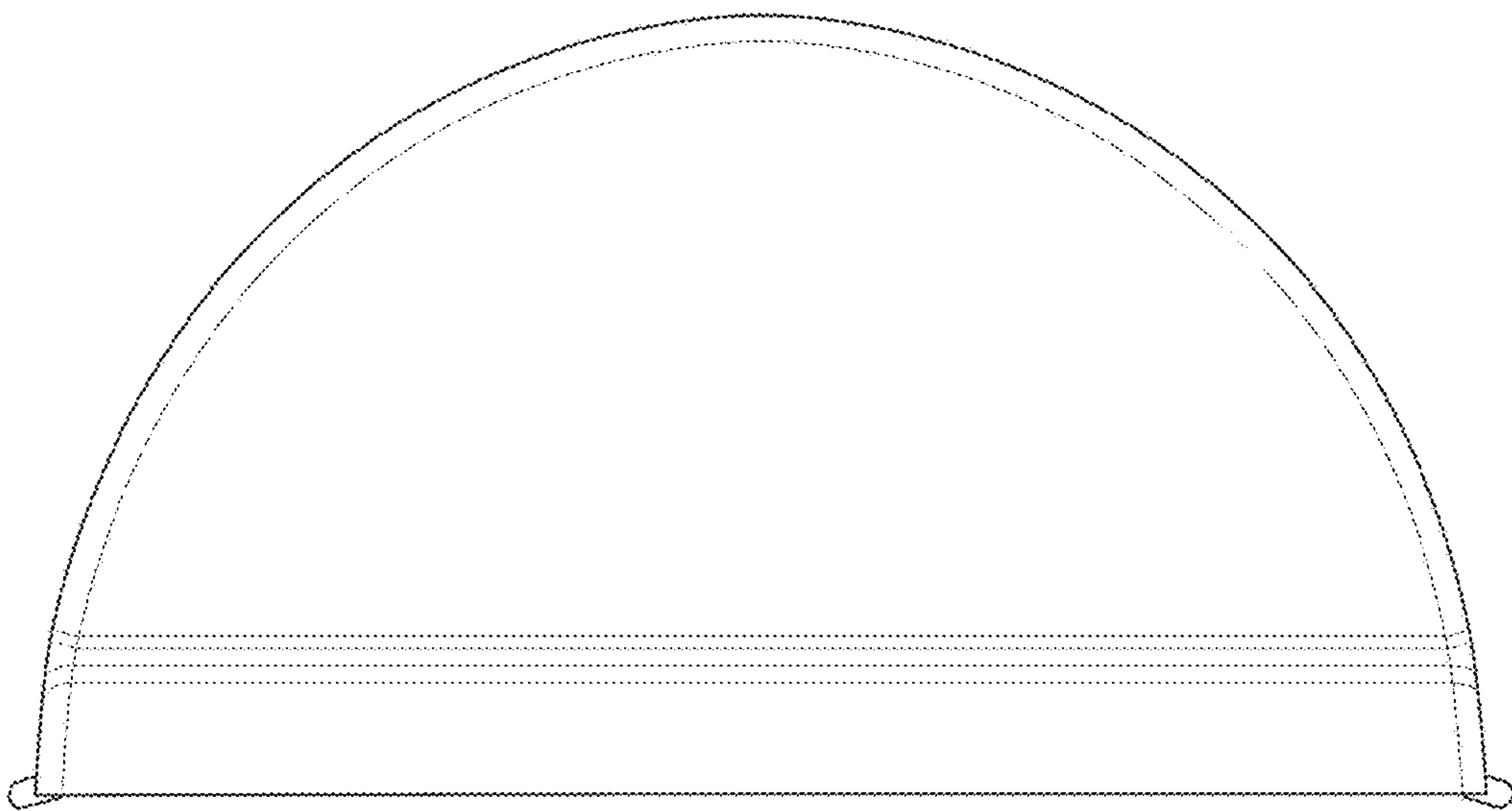


FIG. 44

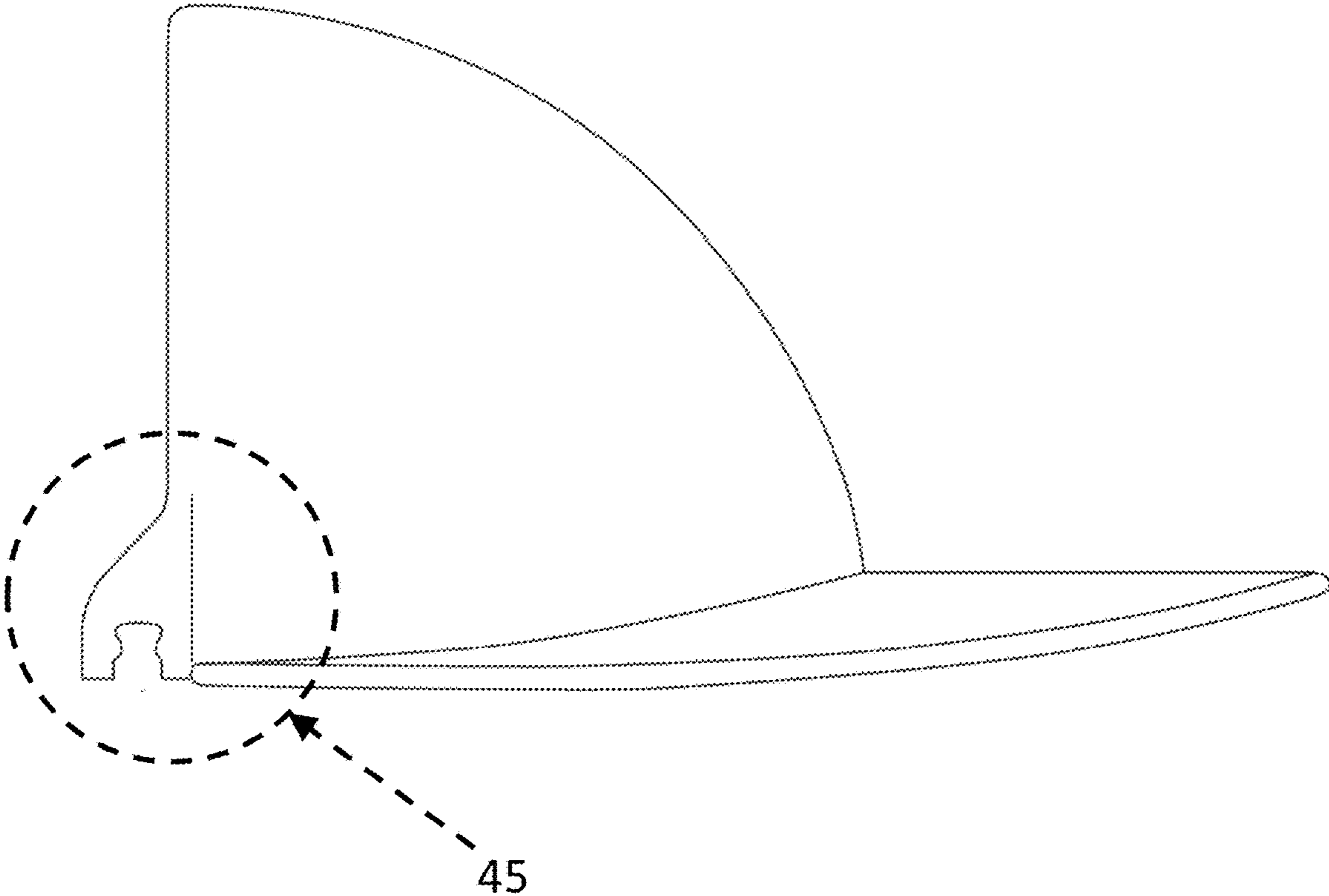


FIG. 45

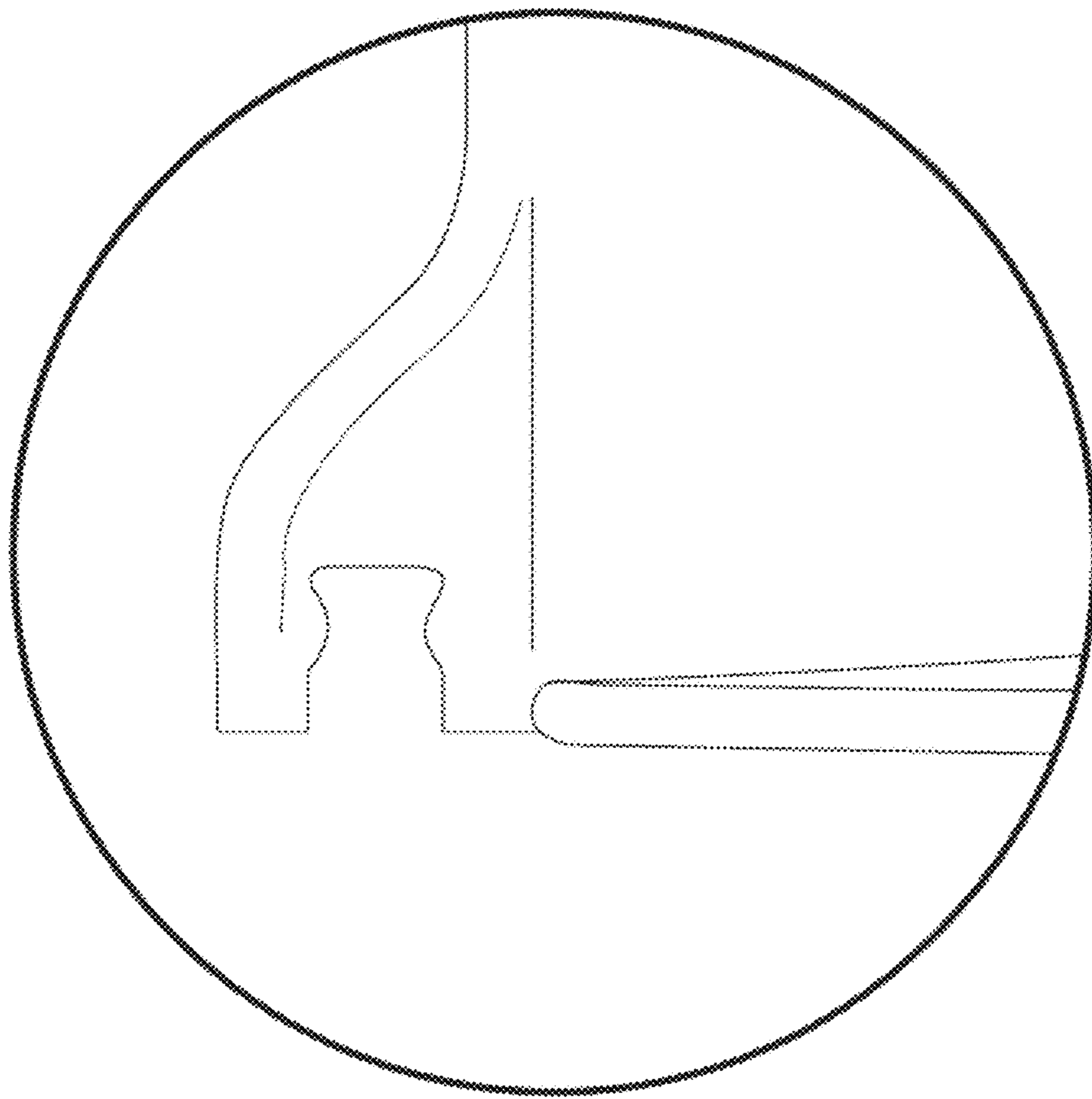


FIG. 46

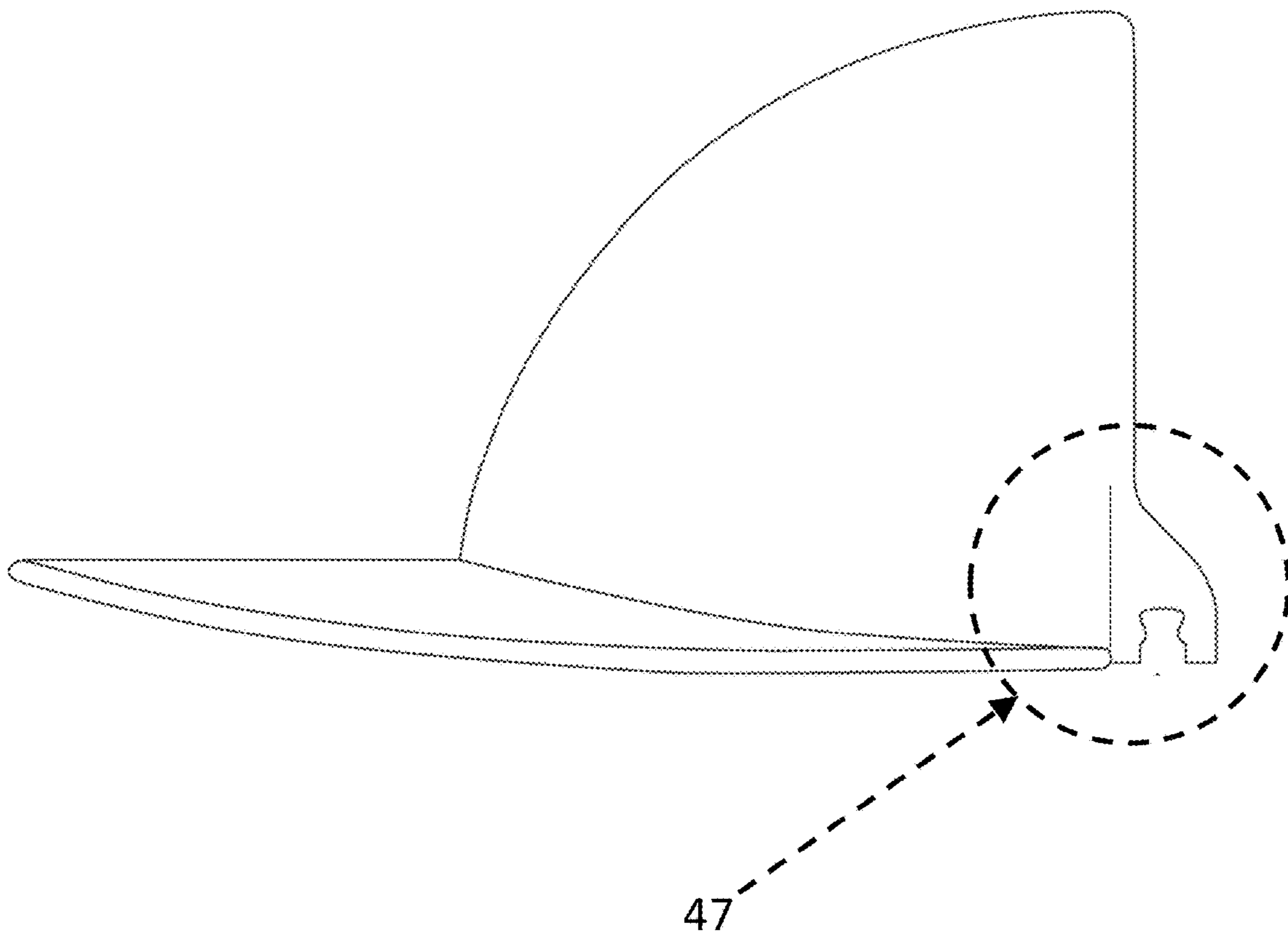




FIG. 47

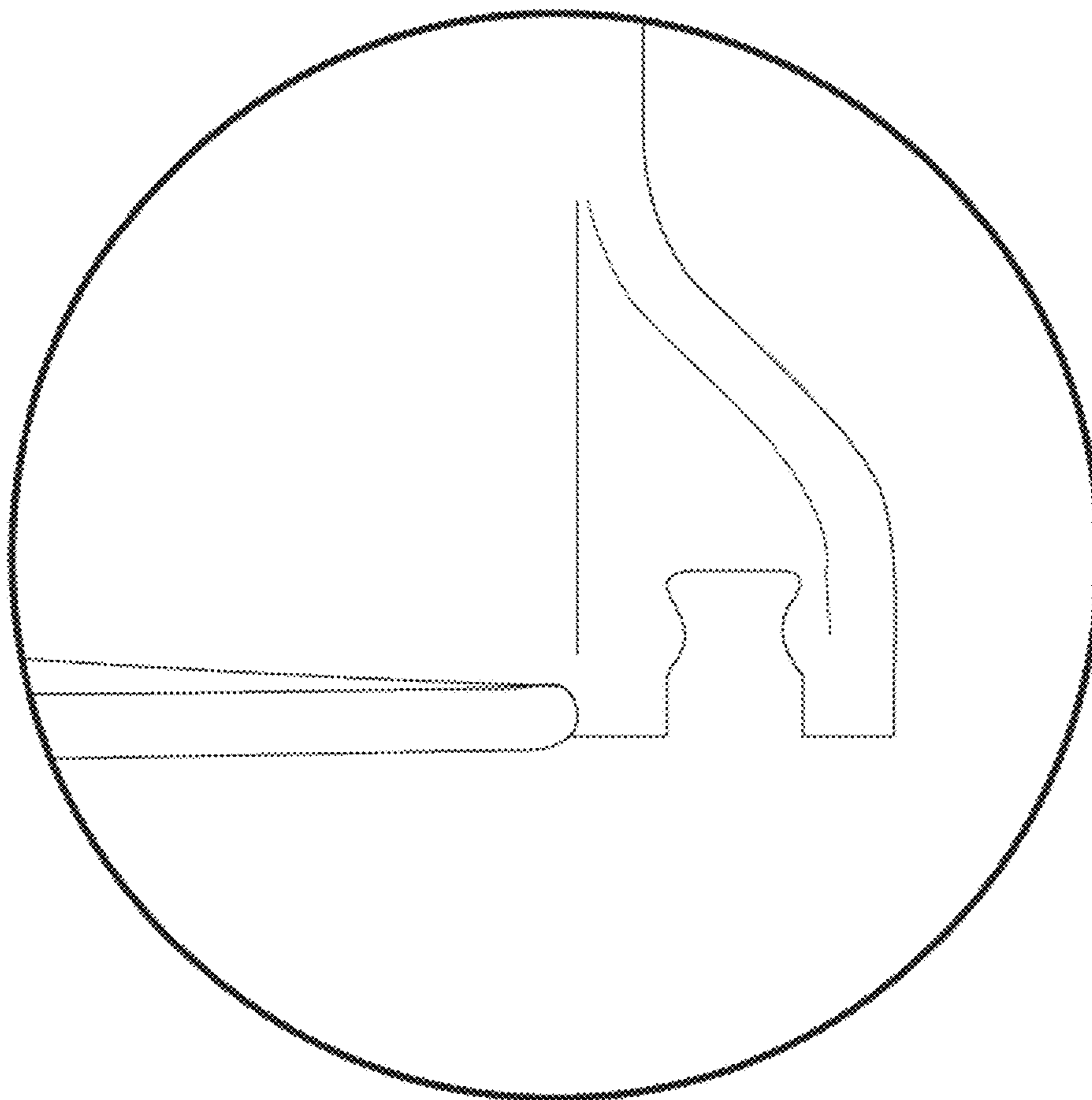


FIG. 48

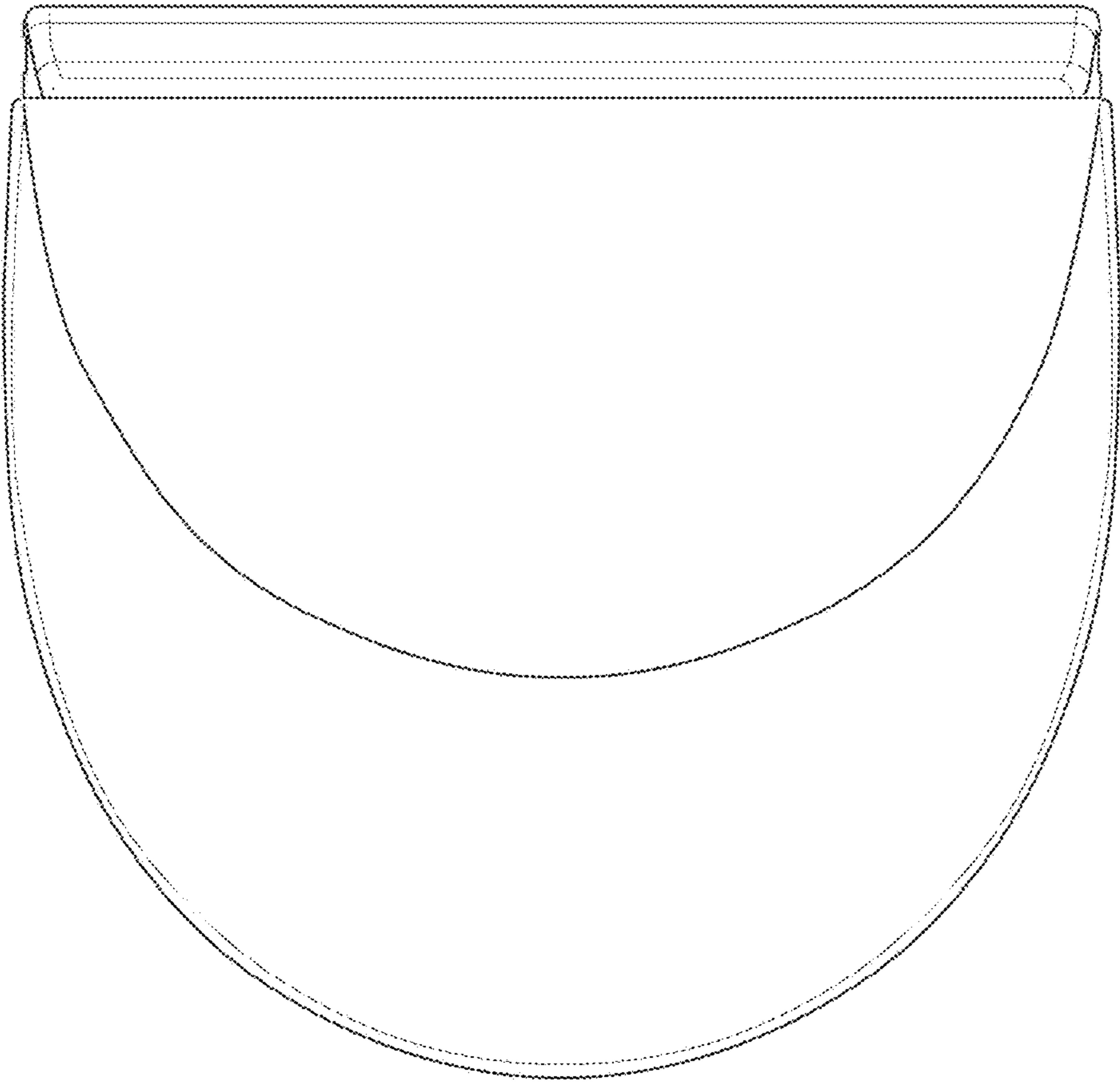


FIG. 49

