



US00D845378S

(12) **United States Design Patent** (10) **Patent No.:** **US D845,378 S**  
**Chuang** (45) **Date of Patent:** **\*\* Apr. 9, 2019**

(54) **CLAMP FOR DIGITAL PRODUCTS**

D767,664 S \* 9/2016 Polito ..... D16/242  
D768,754 S \* 10/2016 Bennett ..... D16/242  
D781,950 S \* 3/2017 Weisz ..... D16/235

(71) Applicant: **EHOMA INDUSTRIAL CORPORATION**, Taichung (TW)

(Continued)

(72) Inventor: **Chun-Huan Chuang**, Taichung (TW)

FOREIGN PATENT DOCUMENTS

(73) Assignee: **Ehoma Industrial Corporation**, Taichung (TW)

JP D2014-6361 \* 3/2014

(\*\*) Term: **15 Years**

OTHER PUBLICATIONS

(21) Appl. No.: **29/605,215**

Takeaway R1 Ranger: Instruction for clampod usage. Online, published date on Jul. 27, 2016. Retrieved on Apr. 17, 2018 from URL: [https://www.youtube.com/watch?v=IJB\\_vQnvzsk](https://www.youtube.com/watch?v=IJB_vQnvzsk).\*

(22) Filed: **May 24, 2017**

(Continued)

(51) **LOC (11) Cl.** ..... **16-05**

(52) **U.S. Cl.**

USPC ..... **D16/242**

(58) **Field of Classification Search**

USPC ..... D16/208, 213-219, 235-250; D14/217, D14/229, 250-253; D8/363, 373, 394  
CPC ..... G03B 17/02-17/04; G03B 17/14; G03B 17/56; G03B 17/561-17/568; G03B 21/20; G02B 7/00-7/002; F16M 11/02; F16M 11/04; F16M 11/20; F16M 11/40  
See application file for complete search history.

*Primary Examiner* — Karen S Acker

*Assistant Examiner* — Omeed Agilee

(74) *Attorney, Agent, or Firm* — Muncy, Geissler, Olds & Lowe, P.C.

(57) **CLAIM**

The ornamental design for a clamp for digital products, as shown and described.

**DESCRIPTION**

FIG. 1 is a perspective view of a clamp for digital products showing my new design;  
FIG. 2 is a front elevational view thereof;  
FIG. 3 is a rear elevational view thereof;  
FIG. 4 is a left side elevational view thereof;  
FIG. 5 is a right side elevational view thereof;  
FIG. 6 is a top plan view thereof;  
FIG. 7 is a bottom plan view thereof; and,  
FIG. 8 is a left side elevational view thereof shown in a position of use holding unclaimed environmental material drawn in broken line.

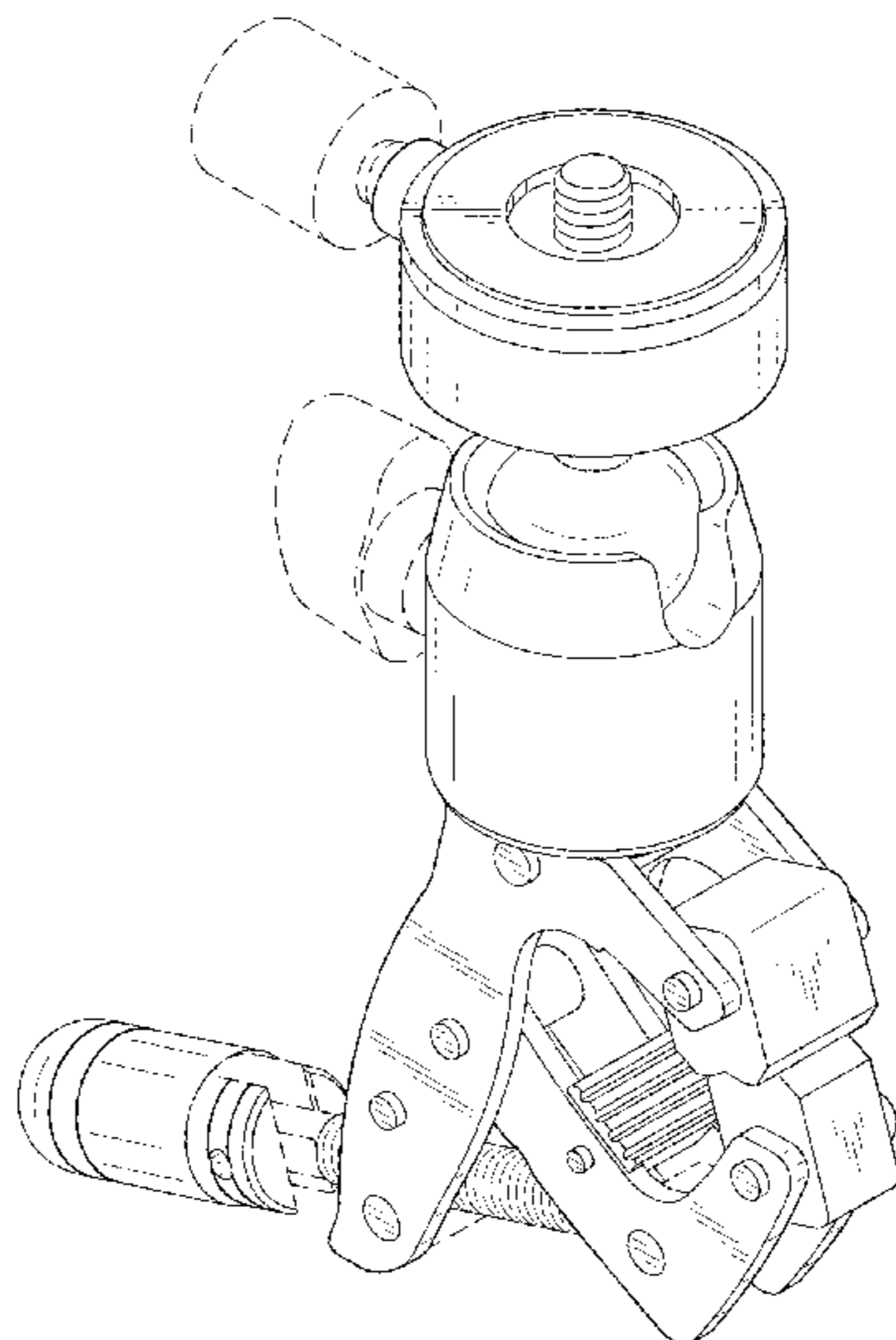
The parts of the clamp for digital products drawn in broken line in FIGS. 1-8 depict portions of the article that form no part of the claimed design.

(56) **References Cited**

U.S. PATENT DOCUMENTS

D281,073 S \* 10/1985 Hanke ..... D16/245  
D483,788 S \* 12/2003 Dordick ..... D16/242  
D483,789 S \* 12/2003 Dordick ..... D16/242  
D484,168 S \* 12/2003 Dordick ..... D16/242  
7,185,862 B1 \* 3/2007 Yang ..... F16M 11/041  
248/187.1  
D596,658 S \* 7/2009 Dordick ..... D16/242  
D600,736 S \* 9/2009 Zen ..... D16/242  
D705,338 S \* 5/2014 Choltco-Devlin ..... D16/242  
D720,385 S \* 12/2014 Lampp ..... D16/245  
D748,182 S \* 1/2016 Polito ..... D16/242  
D748,183 S \* 1/2016 Polito ..... D16/242  
D757,841 S \* 5/2016 Chuang ..... D16/242

**1 Claim, 8 Drawing Sheets**



(56)

**References Cited**

U.S. PATENT DOCUMENTS

D797,179 S \* 9/2017 Dordick ..... D16/245  
2015/0108306 A1\* 4/2015 Chuang ..... F16M 11/14  
248/231.51

OTHER PUBLICATIONS

Durable Bicycle Bike Handlebar Clamp Roll Bar Mount + Tripod for Action Camera. Online, published date unknown. Retrieved on Apr. 17, 2018 from URL: <https://www.ebay.com/itm/Durable-Bicycle-Bike-Handlebar-Clamp-Roll-Bar-Mount-Tripod-For-Action-Camera/282605580697?hash=item41cc9af199:g:HWwAAOSw7z1ZjBA2>.  
\*  
Takeaway Website. Online, published date Feb. 18, 2016. Retrieved on Apr. 17, 2018 from URL: [http://www.takeaway.tw/en\\_index.html](http://www.takeaway.tw/en_index.html).  
\*  
html.\*

\* cited by examiner

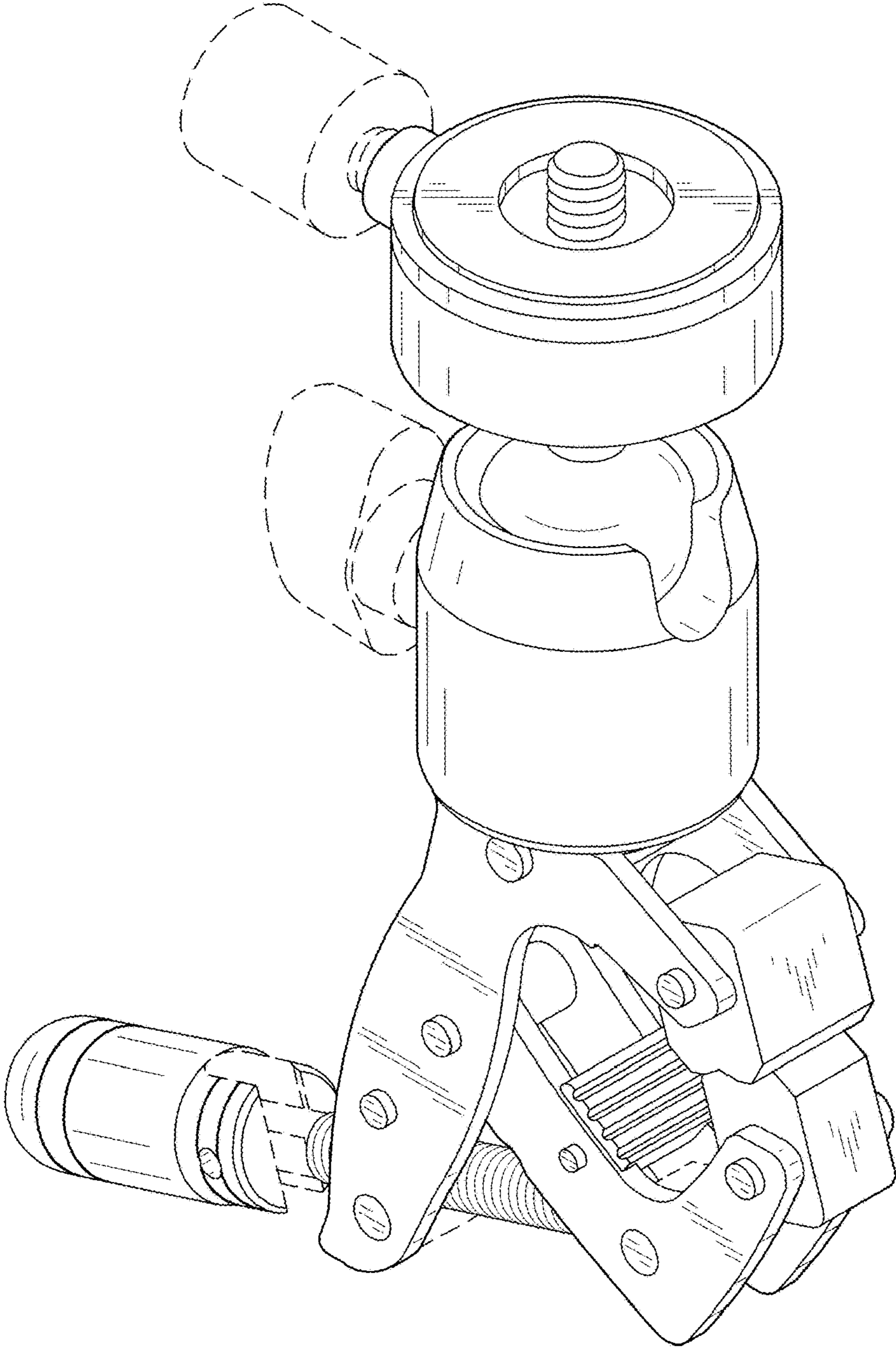


FIG. 1

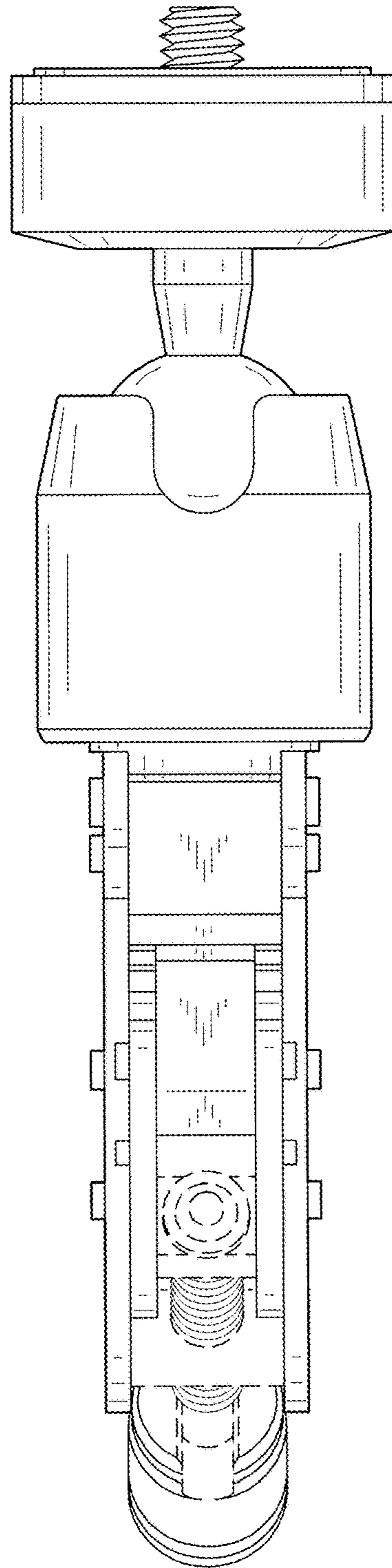


FIG. 2

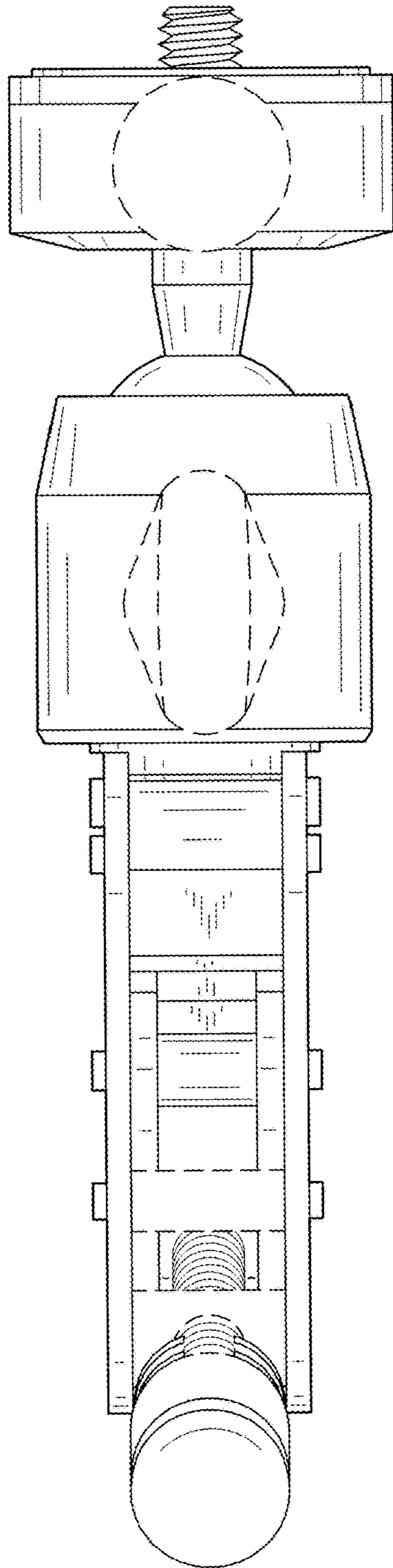


FIG. 3

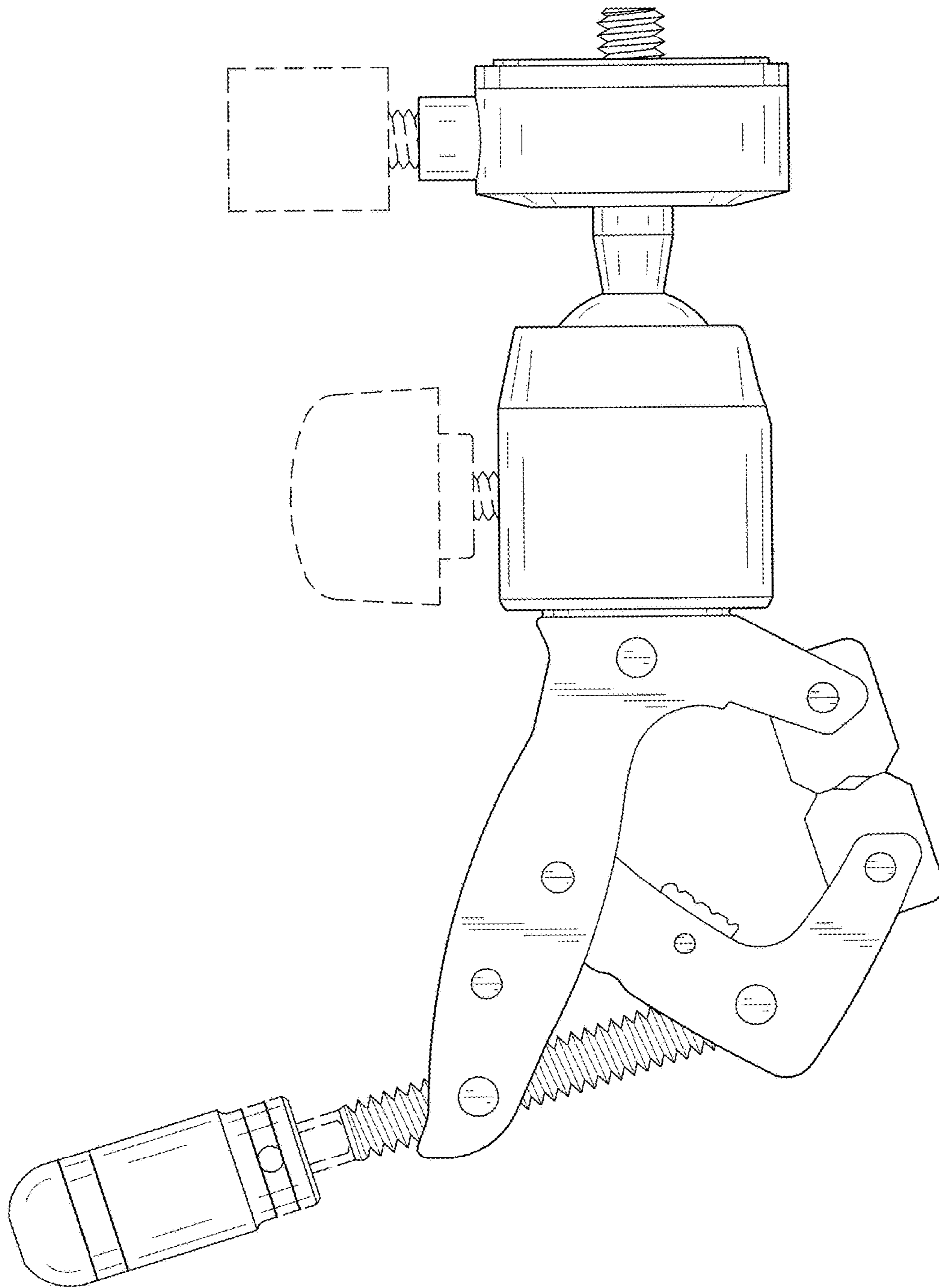


FIG. 4

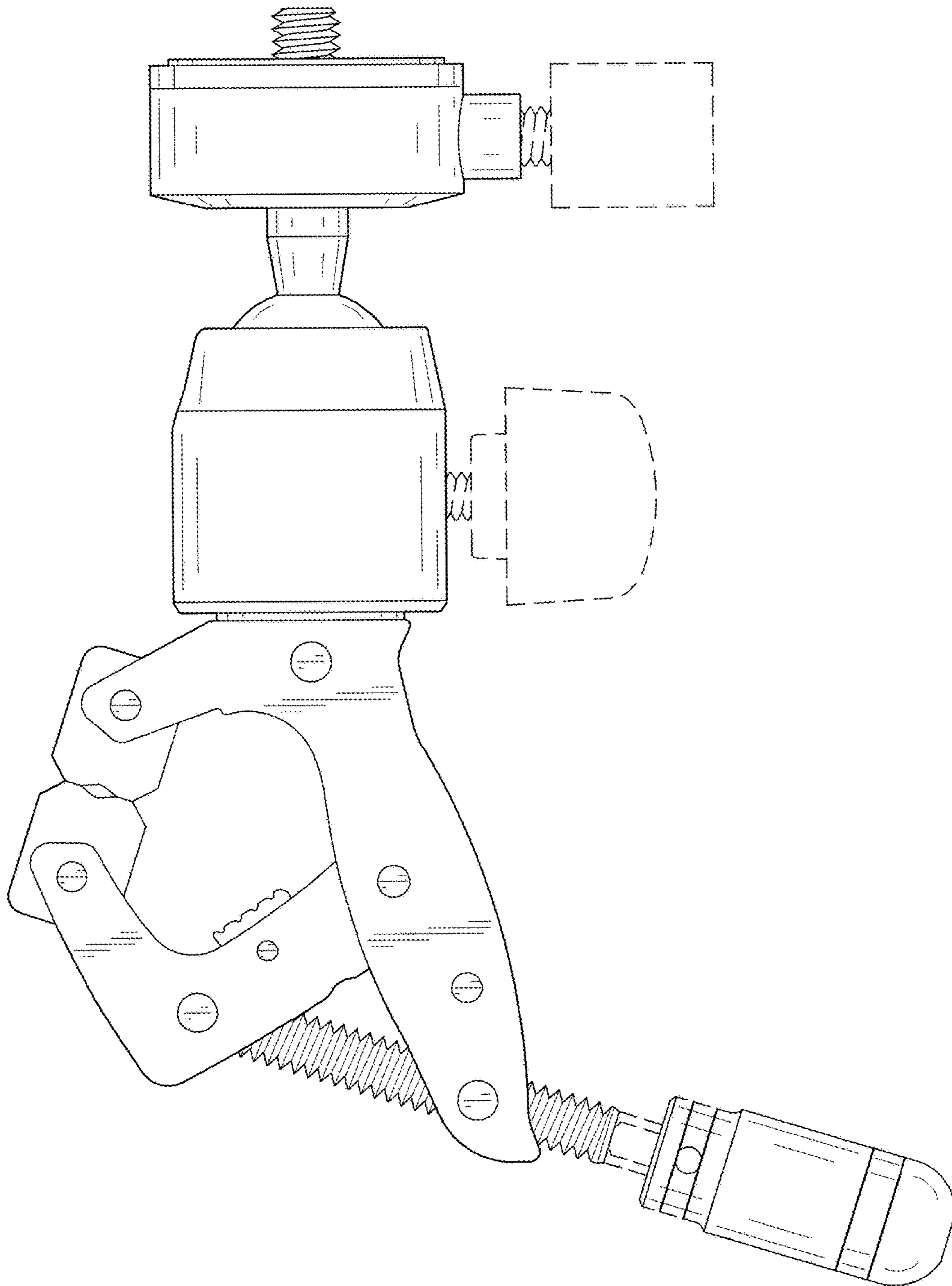


FIG. 5

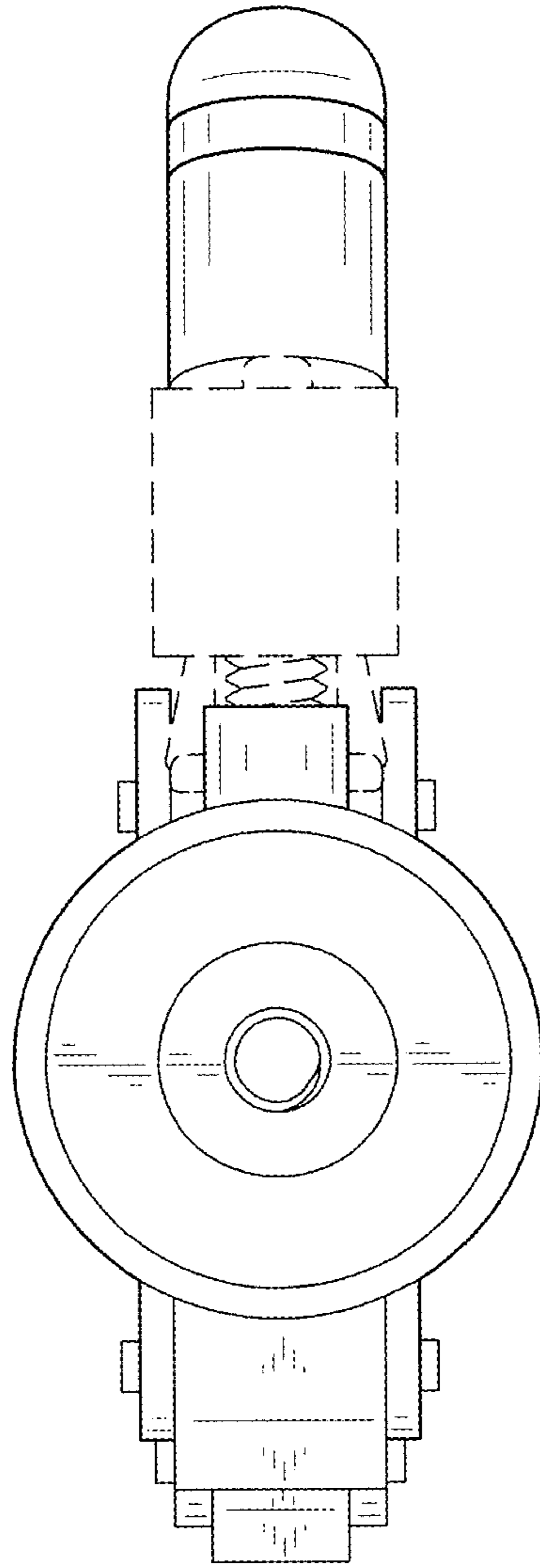


FIG. 6



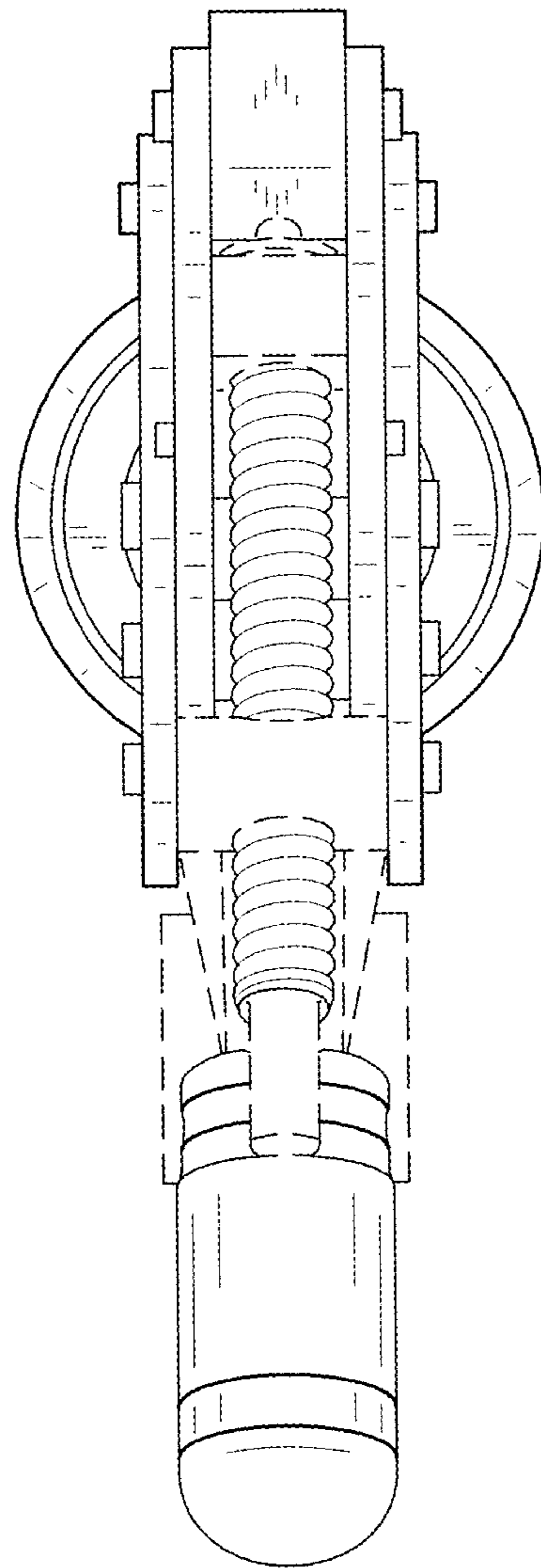


FIG. 7

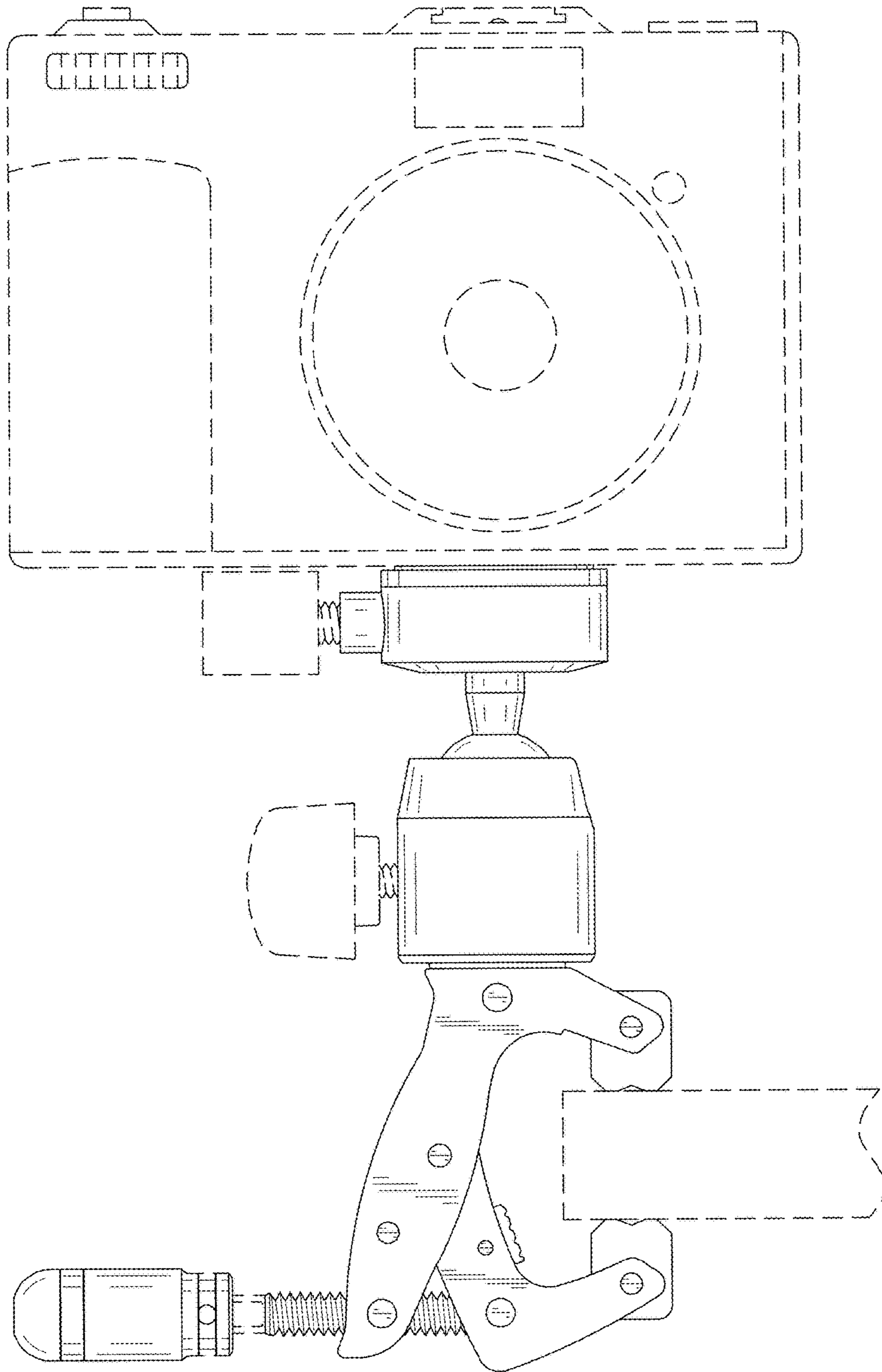


FIG. 8