

US00D845377S

(12) **United States Design Patent**
Masano et al.

(10) **Patent No.:** **US D845,377 S**
(45) **Date of Patent:** **** Apr. 9, 2019**

(54) **BATTERY GRIP FOR DIGITAL STILL CAMERAS**

(71) Applicant: **Panasonic Intellectual Property Management Co., Ltd., Osaka (JP)**

(72) Inventors: **Kouji Masano, Tokyo (JP); Tsuyoshi Yoshiyama, Tokyo (JP)**

(73) Assignee: **Panasonic Intellectual Property Management Co., Ltd., Osaka (JP)**

(**) Term: **15 Years**

(21) Appl. No.: **29/580,891**

(22) Filed: **Oct. 13, 2016**

(30) **Foreign Application Priority Data**

Sep. 8, 2016 (JP) 2016-019391

(51) **LOC (11) Cl.** **16-05**

(52) **U.S. Cl.**
USPC **D16/242; D13/103**

(58) **Field of Classification Search**
USPC **D13/103; D16/237-242**
See application file for complete search history.

(56) **References Cited**

U.S. PATENT DOCUMENTS

D384,032 S *	9/1997	Lui	D13/103
D403,656 S *	1/1999	Ichikawa	D13/103
D481,007 S *	10/2003	Takahashi	D13/103
D489,679 S *	5/2004	Wong	D13/103
D496,332 S *	9/2004	Naito	D13/103
D547,264 S *	7/2007	Kondo	D13/103
D632,643 S *	2/2011	Tanaka	D13/103
D643,808 S *	8/2011	Shaper	D13/103
D650,737 S *	12/2011	Hamilton	D13/103
D654,850 S *	2/2012	Obata	D13/103
D682,195 S *	5/2013	Aglassinger	D13/103
D700,138 S *	2/2014	Walz	D13/103

(Continued)

FOREIGN PATENT DOCUMENTS

JP	D1463852	3/2013
JP	D1514907	1/2015

OTHER PUBLICATIONS

Lumix GH5 Battery Grip: Published Jan. 8, 2017 [online], site visited Dec. 20, 2018. Available from Internet URL: <https://web.archive.org/web/20170108190321/https://shop.panasonic.com/cameras-and-camcorders/> (Year: 2017).*

Primary Examiner — Garth Rademaker

Assistant Examiner — Melvin L Davis

(74) *Attorney, Agent, or Firm* — Panasonic IP Management; Kerry S. Culpepper

(57) **CLAIM**

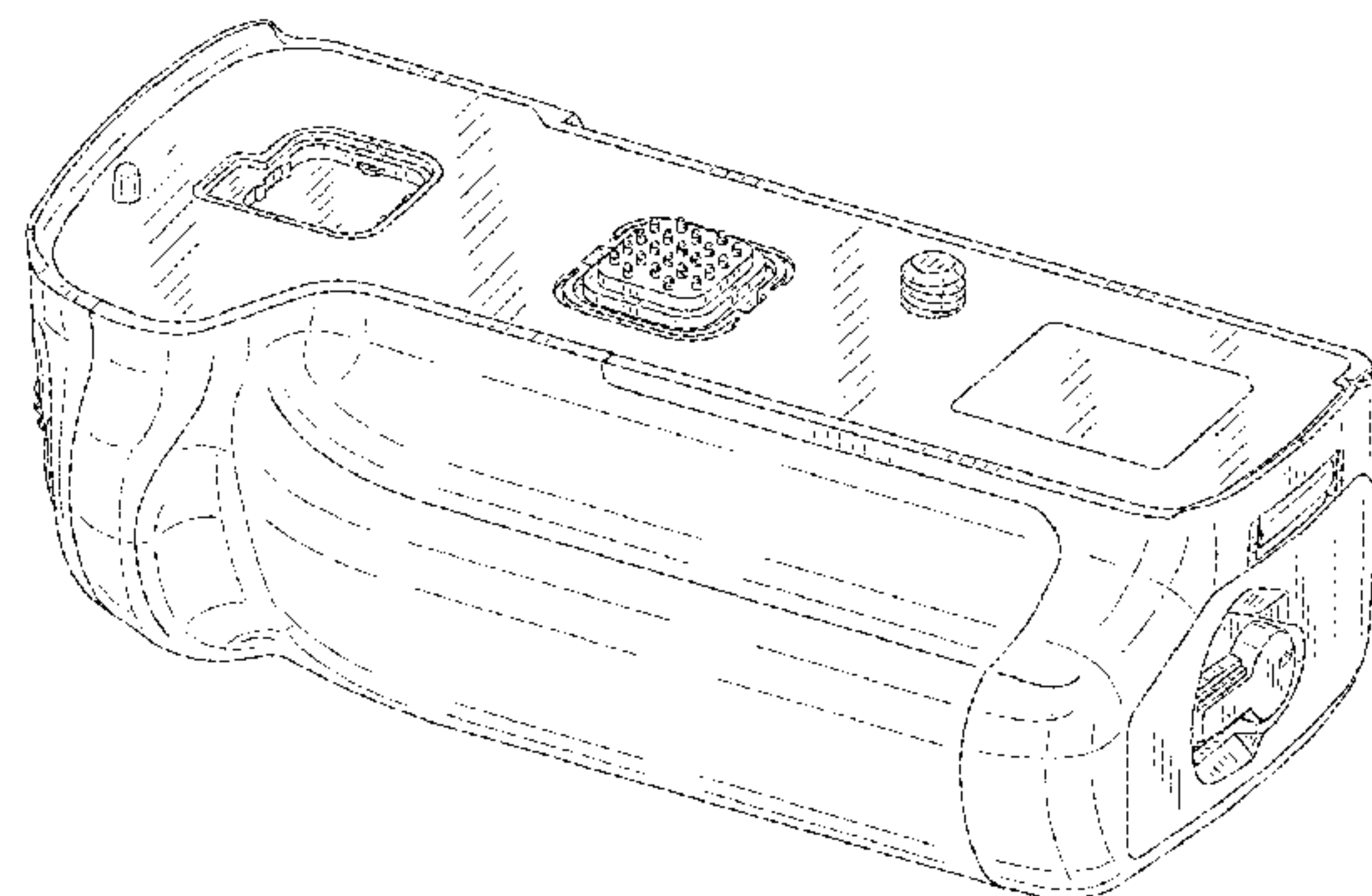
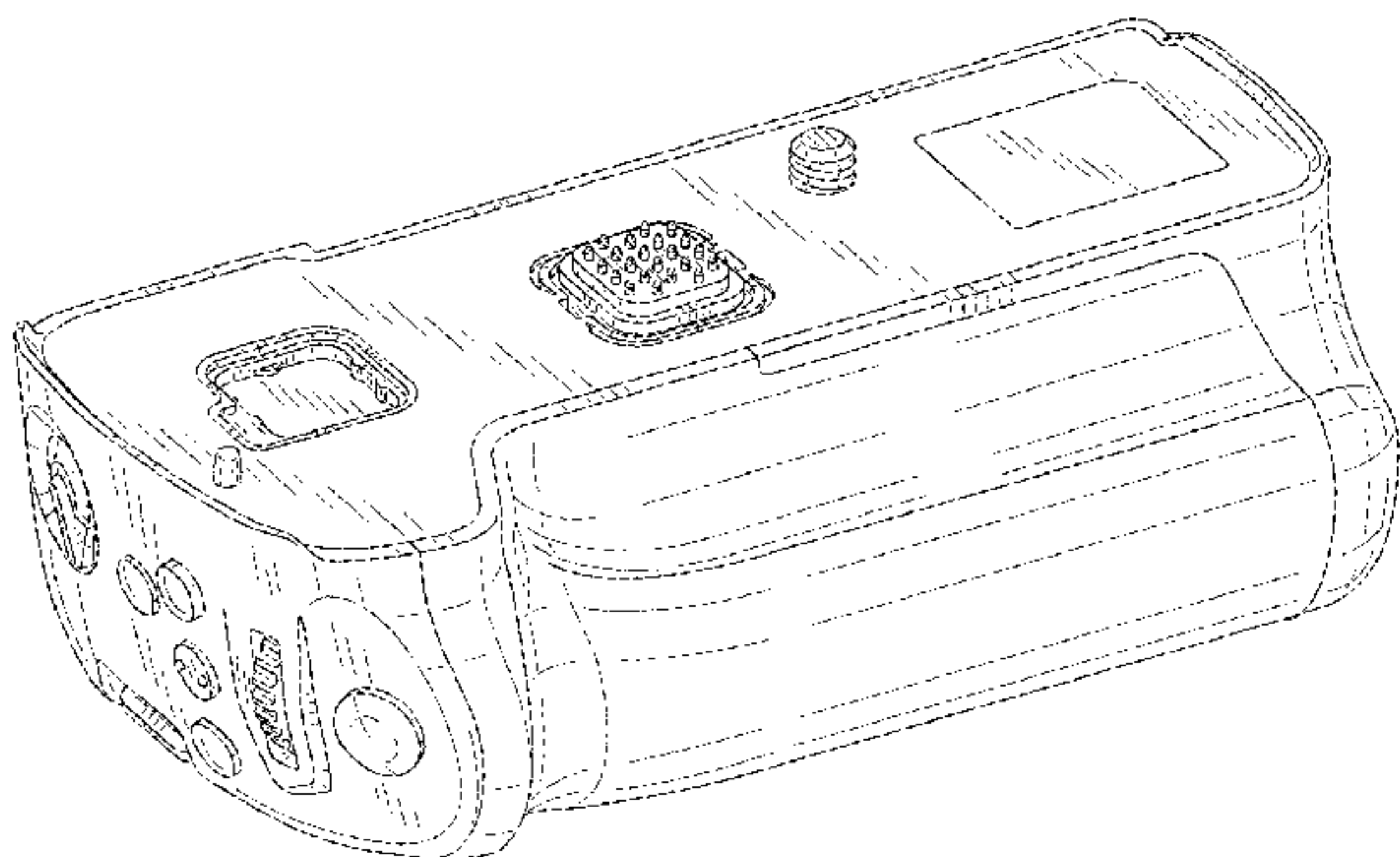
We claim the ornamental design for a battery grip for digital still cameras, as shown and described.

DESCRIPTION

FIG. 1 is a first front perspective view of a battery grip for digital still cameras of the present invention; FIG. 2 is a second front perspective view thereof; FIG. 3 is a rear perspective view thereof; FIG. 4 is a front view thereof; FIG. 5 is a rear view thereof; FIG. 6 is a first side view thereof; FIG. 7 is a second side view thereof; FIG. 8 is a top view thereof; FIG. 9 is a bottom view thereof; and, FIG. 10 is a perspective view thereof shown in an environmental use.

The showing of evenly broken lines is included for the purpose of illustrating environmental structure and forms no part of the claimed design.

1 Claim, 10 Drawing Sheets



(56)

References Cited

U.S. PATENT DOCUMENTS

D736,705 S	*	8/2015	Brogan	D13/108
D741,794 S	*	10/2015	Wright	D13/103
D773,389 S	*	12/2016	Miller	D13/103
D795,801 S	*	8/2017	Fletcher	D13/103
D830,966 S	*	10/2018	Siminoff	D13/103

* cited by examiner

FIG. 1

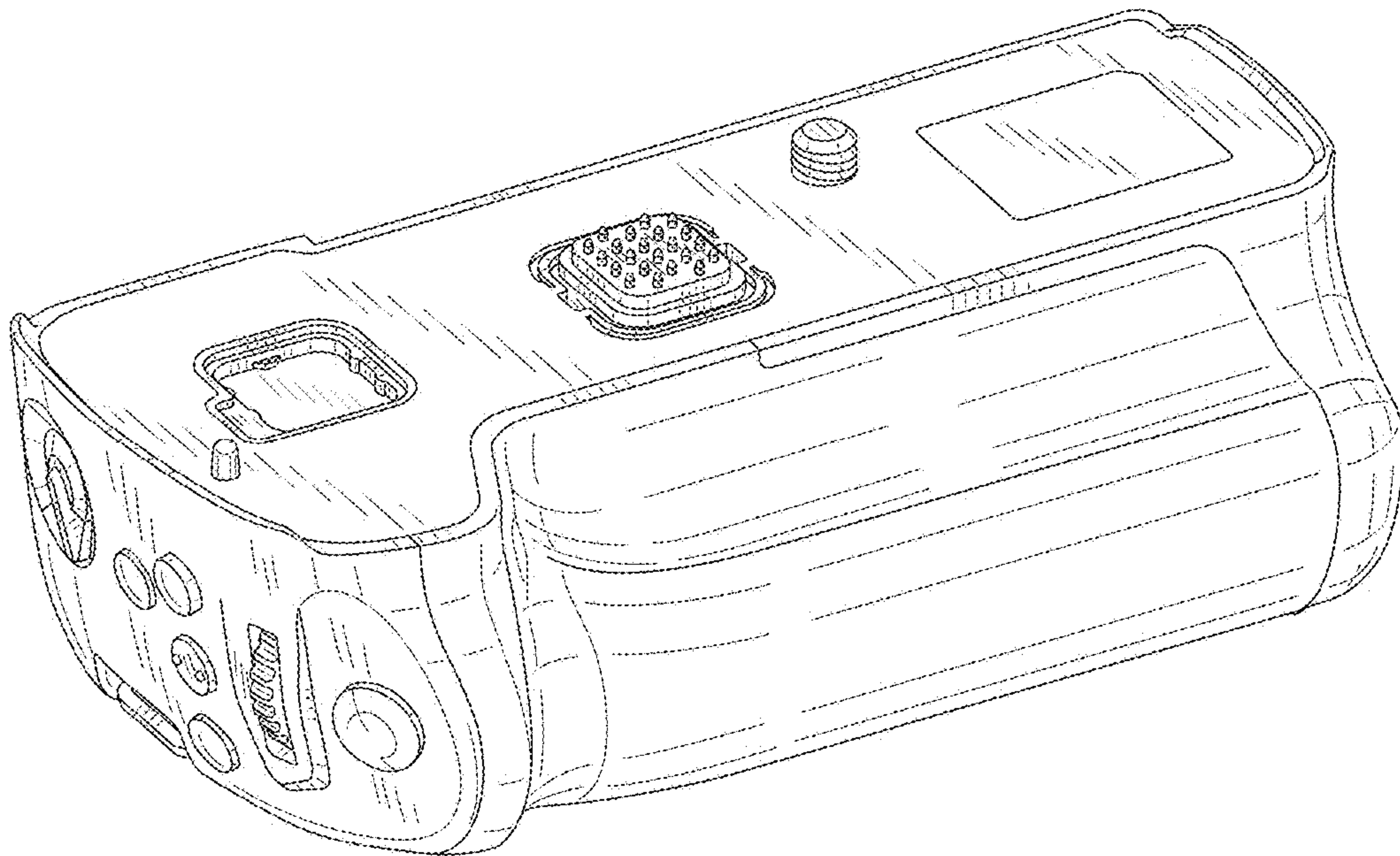


FIG. 2

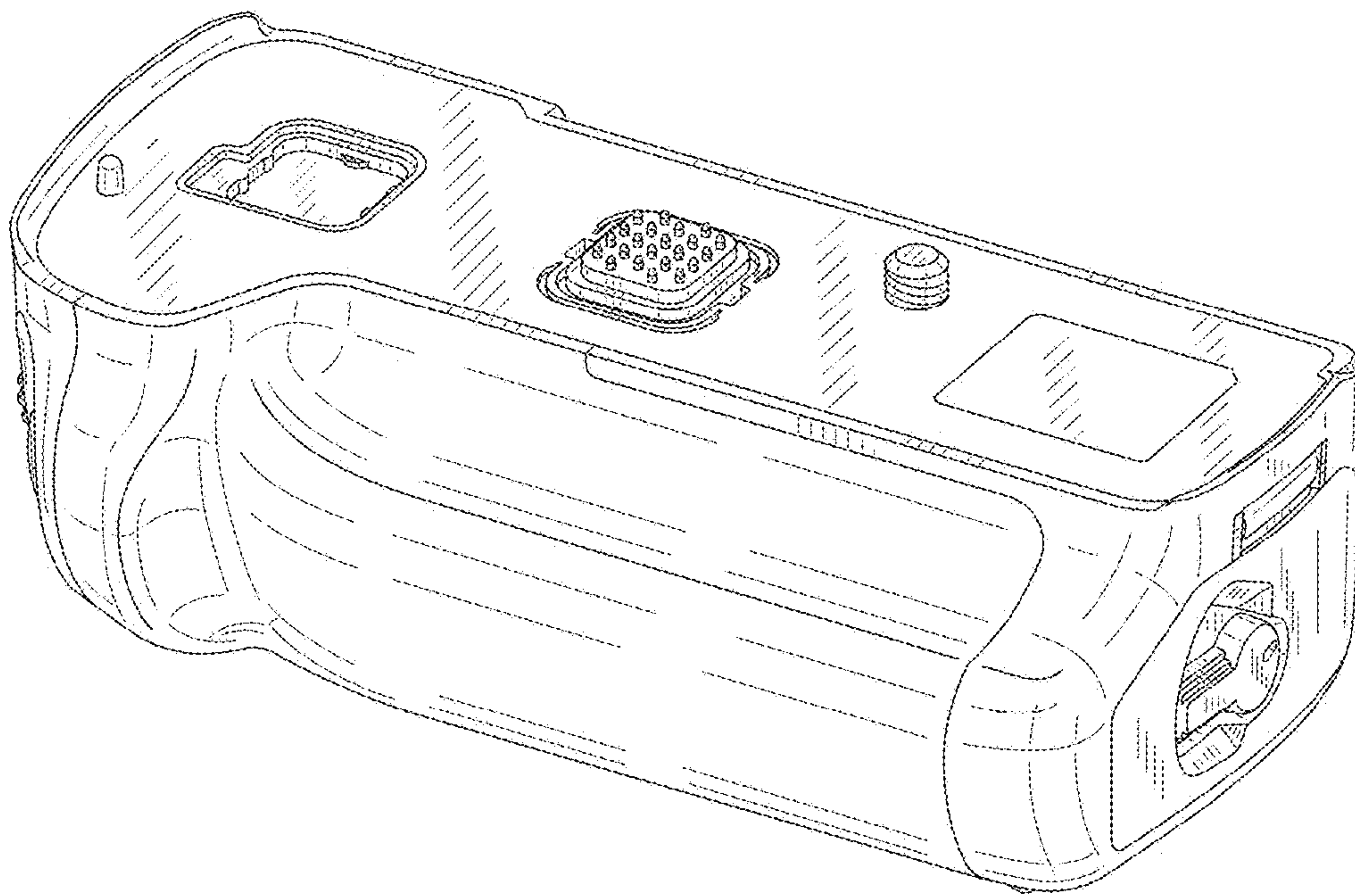


FIG. 3

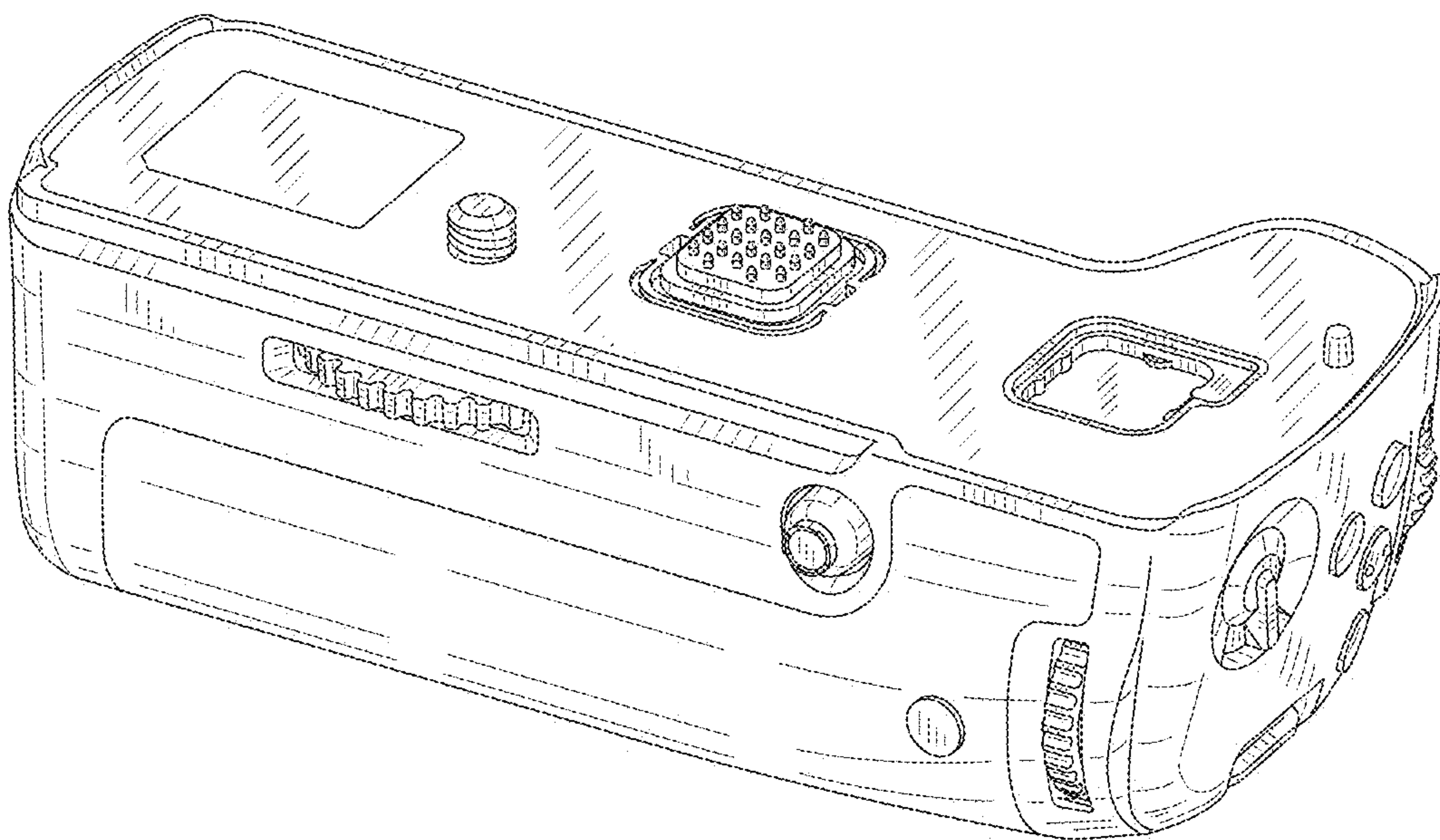


FIG. 4

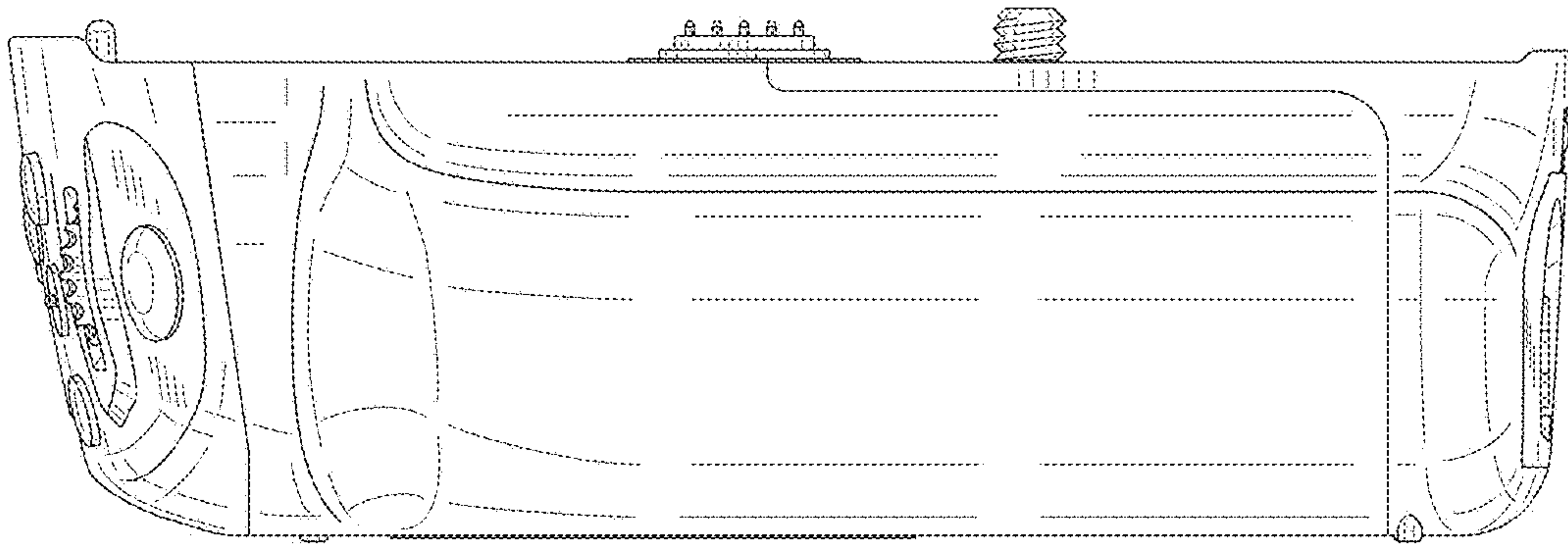


FIG. 5

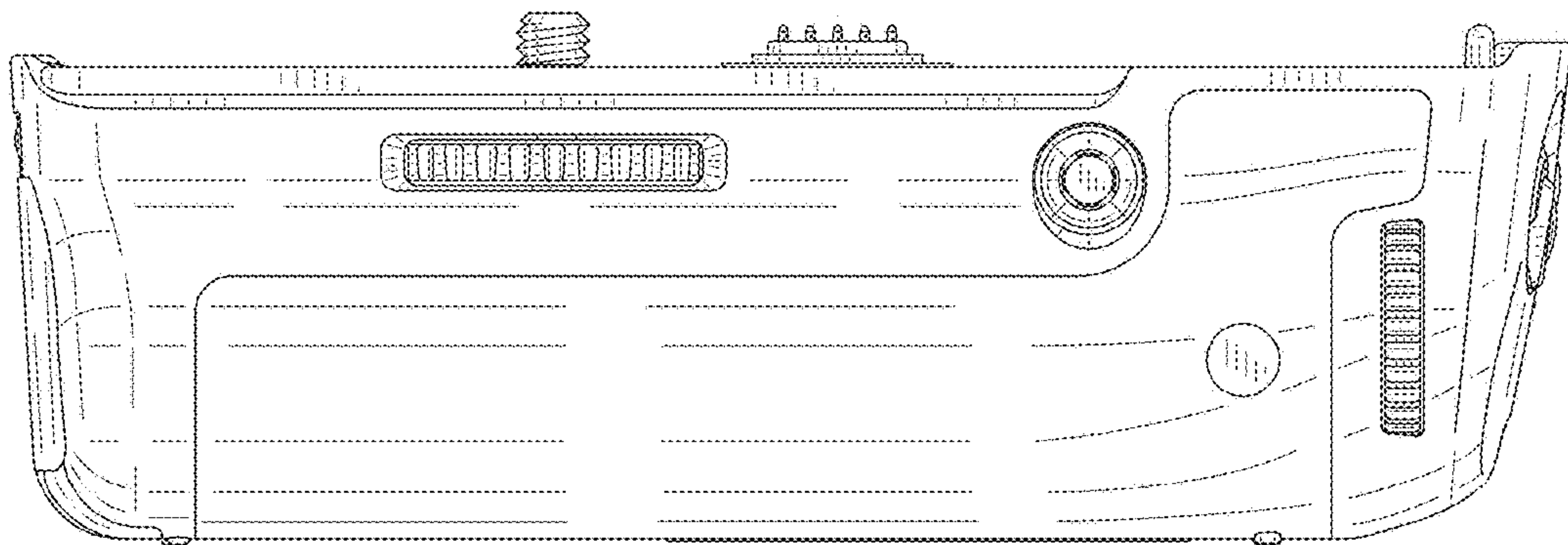


FIG. 6

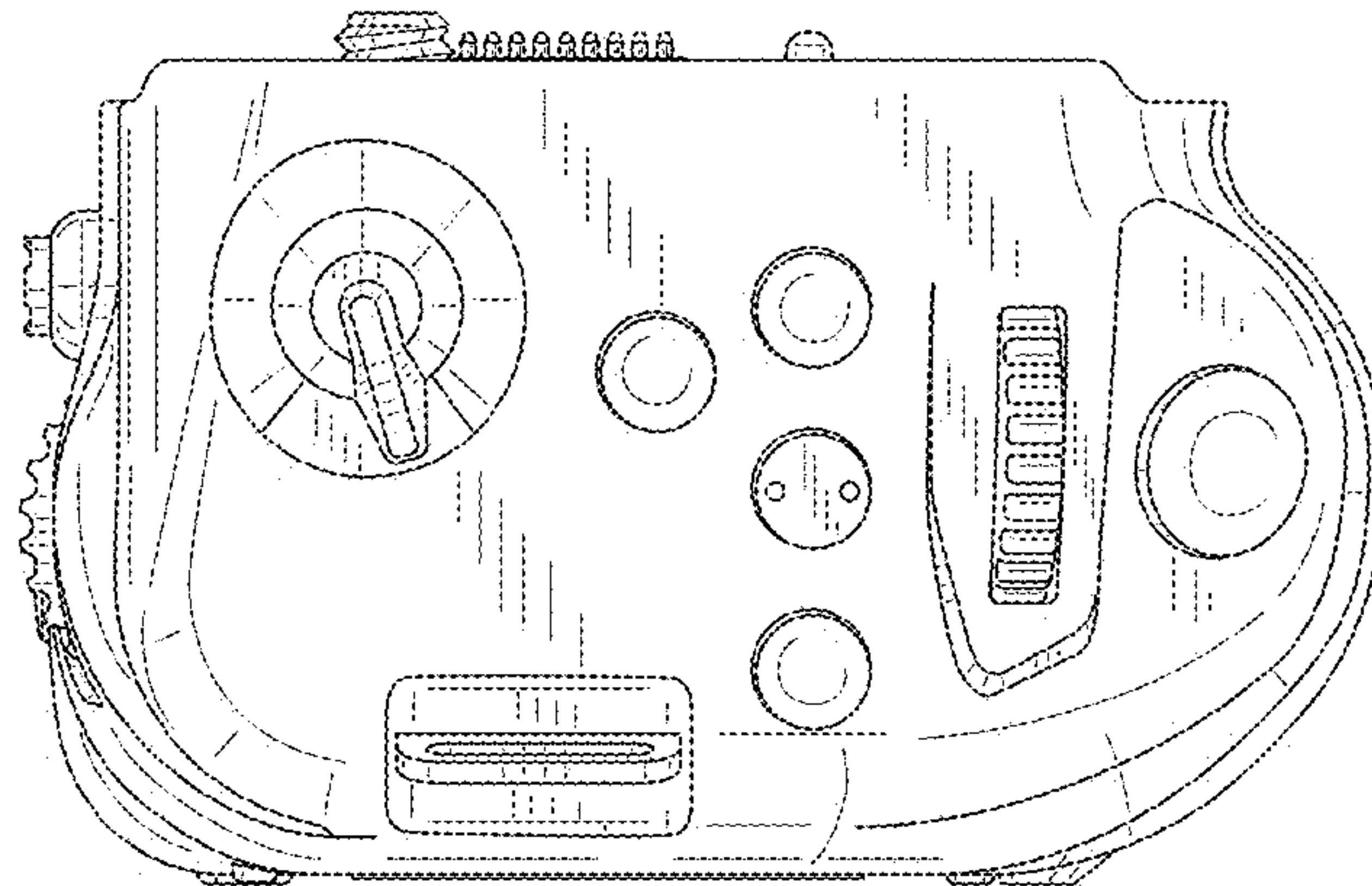


FIG. 7

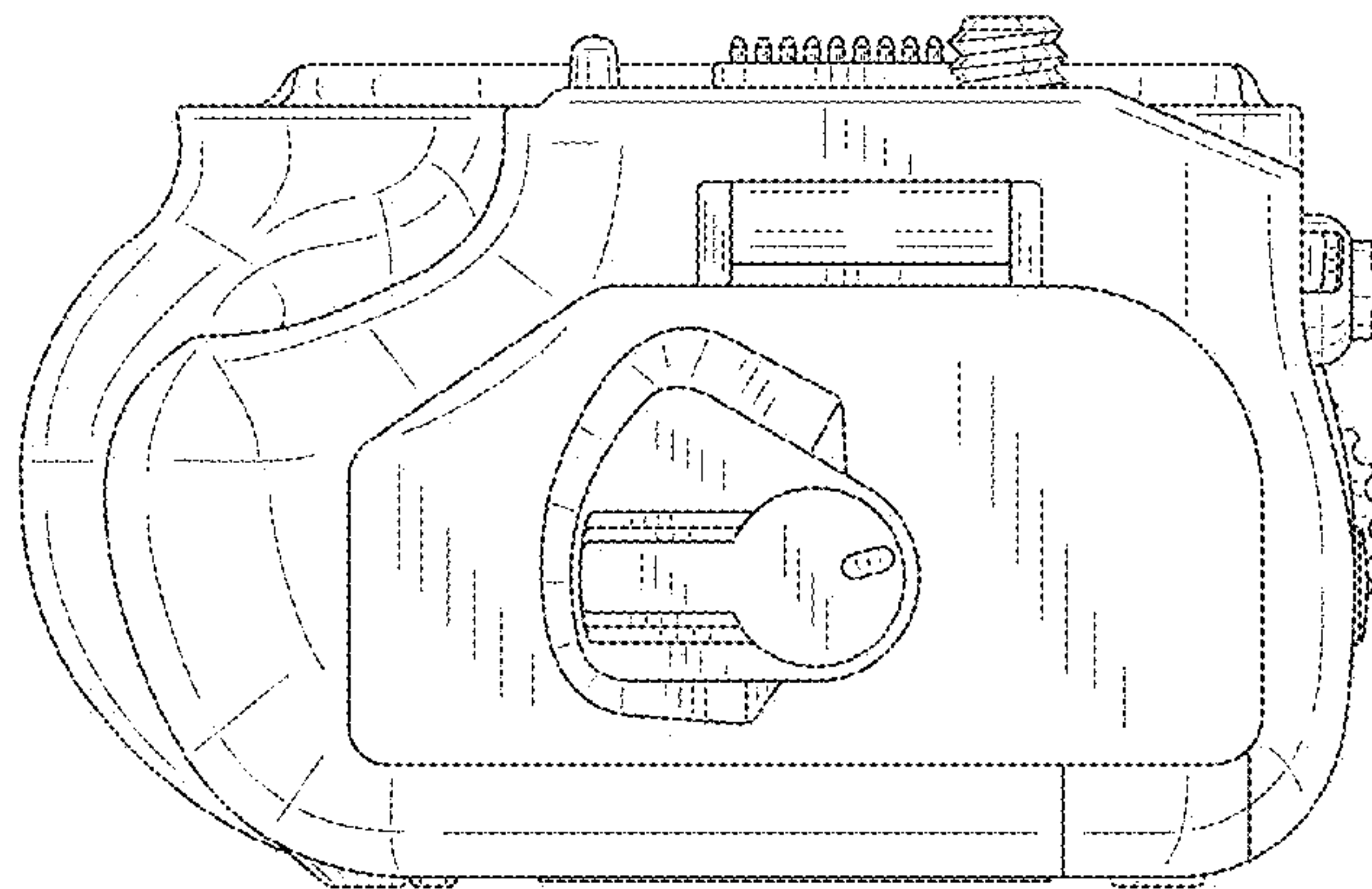


FIG. 8

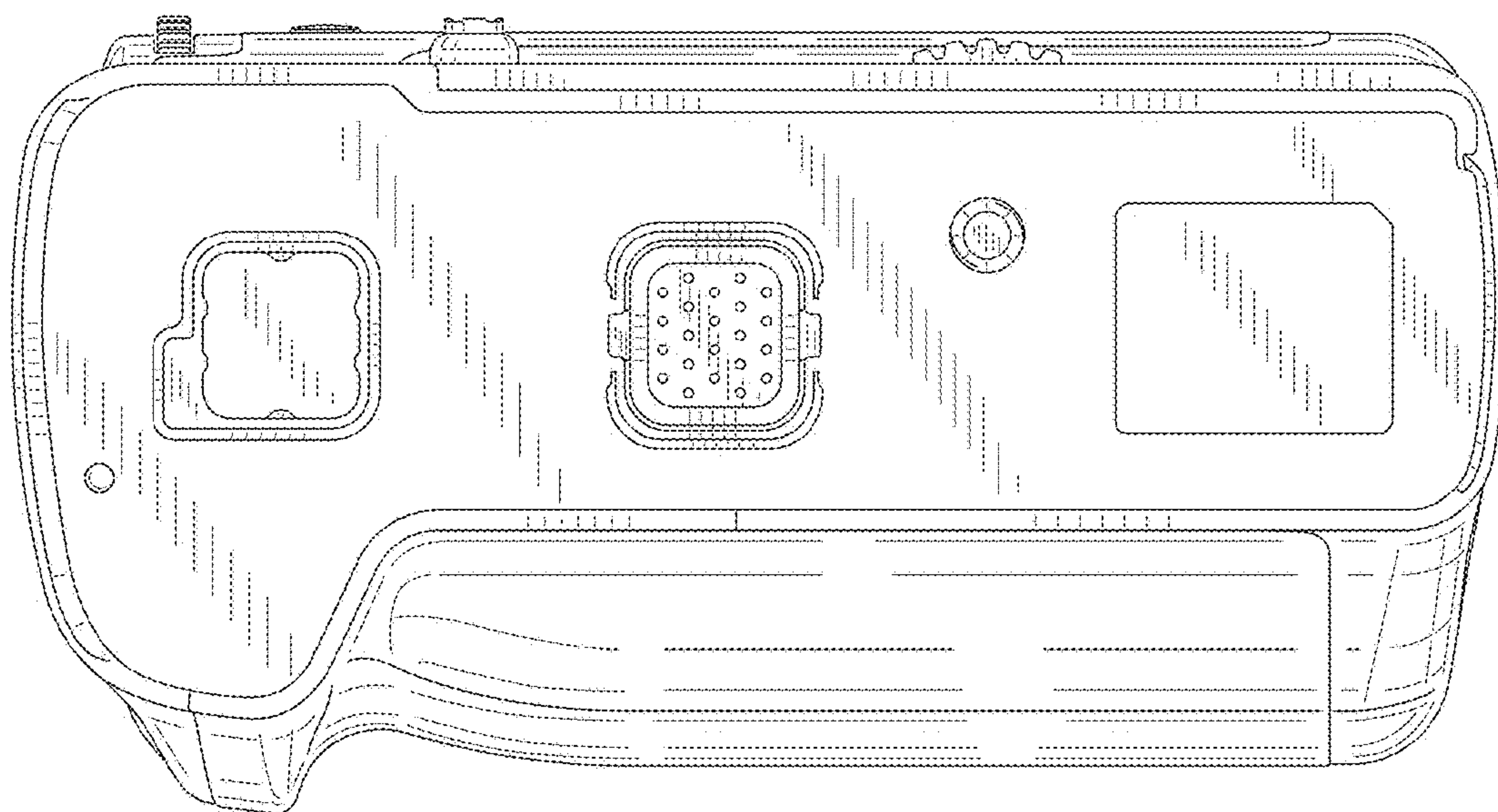


FIG. 9

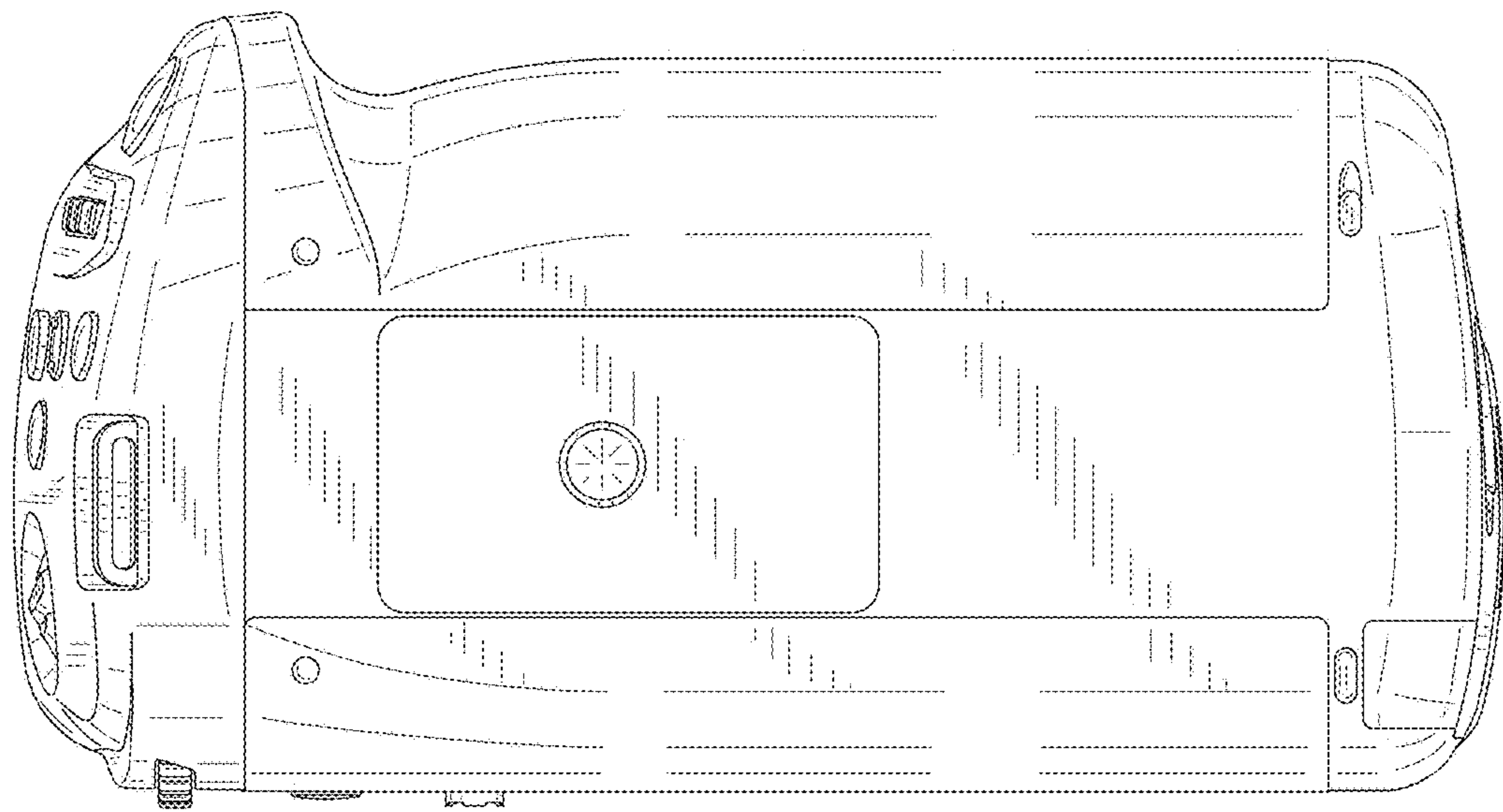


FIG. 10

