



US00D845376S

(12) **United States Design Patent**
Kim

(10) **Patent No.:** **US D845,376 S**

(45) **Date of Patent:** **** Apr. 9, 2019**

(54) **PHOTOGRAPHY EQUIPMENT MOUNTING FRAME**

(71) Applicant: **Sun Kyoung Kim**, Seoul (KR)

(72) Inventor: **Sun Kyoung Kim**, Seoul (KR)

(**) Term: **15 Years**

(21) Appl. No.: **29/628,369**

(22) Filed: **Dec. 4, 2017**

(51) **LOC (11) Cl.** **16-05**

(52) **U.S. Cl.**
USPC **D16/237**

(58) **Field of Classification Search**
USPC D16/219, 237-250; D14/224, 229, 238,
D14/251, 253, 447, 451, 457; D8/354,
D8/355, 363, 373, 382-383, 394-396
CPC F16M 11/06-11/10; F16M 11/14; G02B
7/00-7/002; G03B 17/56; G03B
17/561-17/568; H04N 5/2253-5/2254;
A45F 2200/0508-2200/0533; A45F 5/00;
A45F 5/10
See application file for complete search history.

(56) **References Cited**

U.S. PATENT DOCUMENTS

1,942,925	A *	1/1934	Jenkins	H04R 1/08 248/123.2
D156,613	S *	12/1949	Du Mais et al.	D16/241
3,064,932	A *	11/1962	Holderman	F16M 11/28 248/171
D198,296	S *	5/1964	Resk	D16/244
3,820,751	A *	6/1974	Strickland et al.	F16M 11/14 248/181.1
D257,987	S *	1/1981	Schoenig	D17/9
D268,458	S *	4/1983	Schoenig	D16/244
D292,707	S *	11/1987	Fahy	D14/238
D298,041	S *	10/1988	Chang	D17/9
D312,257	S *	11/1990	Fahy	D14/238
D349,915	S *	8/1994	Hanke	D16/244

5,806,821	A *	9/1998	Phillips	F16C 11/106 248/181.1
D450,339	S *	11/2001	Eason	D16/244
D657,977	S *	4/2012	Belitz	D6/681.1
D704,486	S *	5/2014	Cho	D6/701
D713,442	S *	9/2014	Baty	D16/242
D720,384	S *	12/2014	Holmen	D16/244
9,465,278	B2 *	10/2016	Lytle	G03B 17/561

(Continued)

Primary Examiner — Vy N Koenig

(57) **CLAIM**

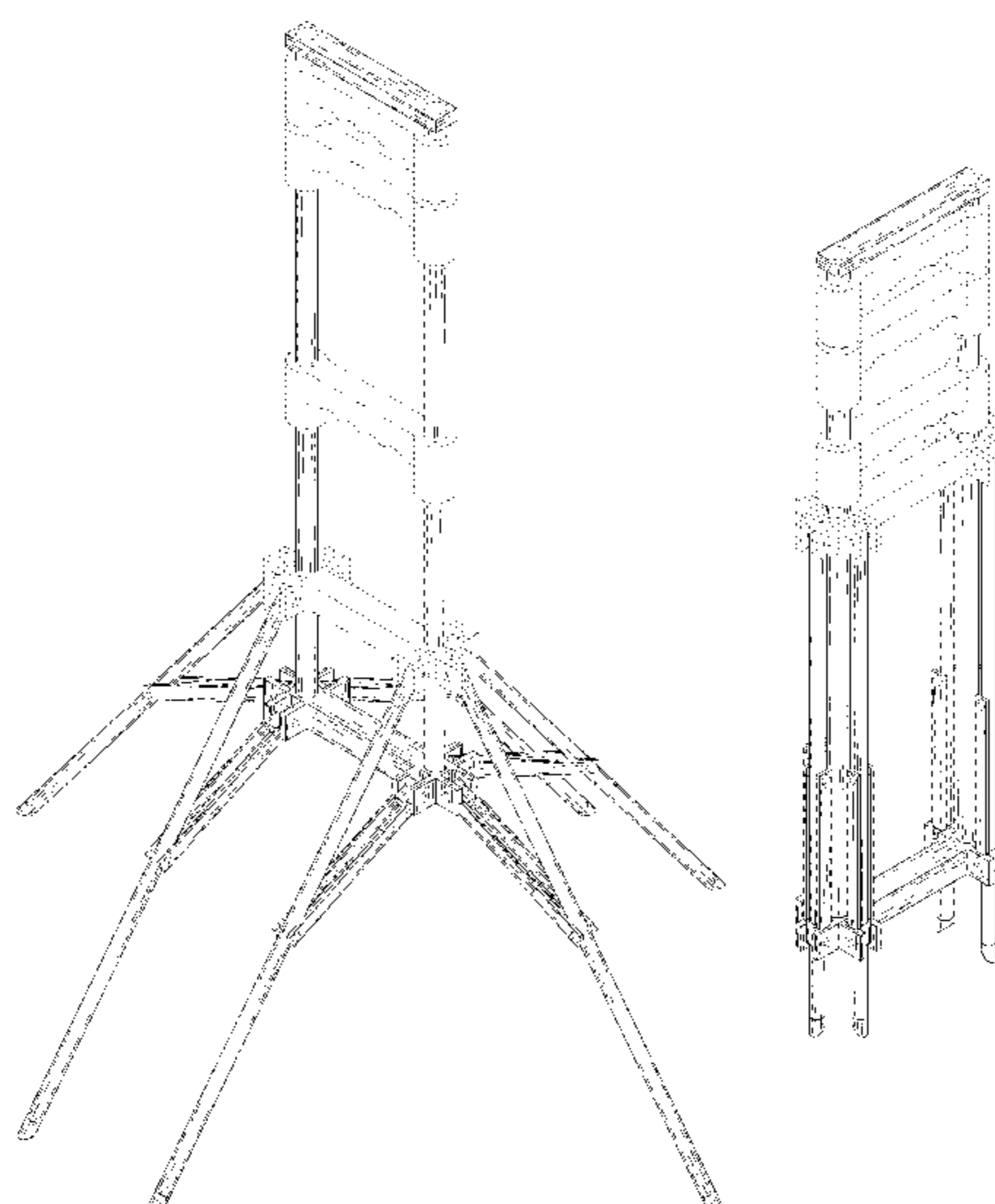
The ornamental design for a photography equipment mounting frame, as shown and described.

DESCRIPTION

FIG. 1 is a top right perspective view of a photography equipment mounting frame showing my new design;
 FIG. 2 is a top left perspective view thereof;
 FIG. 3 is a bottom left perspective view thereof;
 FIG. 4 is a front view thereof;
 FIG. 5 is a back view thereof;
 FIG. 6 is a top view thereof;
 FIG. 7 is a bottom view thereof;
 FIG. 8 is a left view thereof;
 FIG. 9 is a right view thereof; and,
 FIG. 10 is a top right perspective view of a photography equipment mounting frame in the closed position;
 FIG. 11 is a front view thereof;
 FIG. 12 is a back view thereof;
 FIG. 13 is a top view thereof;
 FIG. 14 is a bottom view thereof;
 FIG. 15 is a left view thereof; and,
 FIG. 16 is a right view thereof.

The broken line showing of handles in FIGS. 1-6, 8-13, 15, and 16; a sliding adjustment brace in FIGS. 1-6, 8-13, 15, and 16; and various joints in FIG. 1-16 is included for the purpose of showing environmental structure and forms no part of the claimed design.

1 Claim, 16 Drawing Sheets



(56)

References Cited

U.S. PATENT DOCUMENTS

D792,417 S *	7/2017	Xiang	D14/447
10,054,257 B1 *	8/2018	Snoke	F16M 11/425
D828,057 S *	9/2018	Yaguchi	D6/681
10,123,619 B2 *	11/2018	Kennedy	A47B 97/04
2009/0266905 A1 *	10/2009	Rosen	E01B 23/00 238/10 R

* cited by examiner

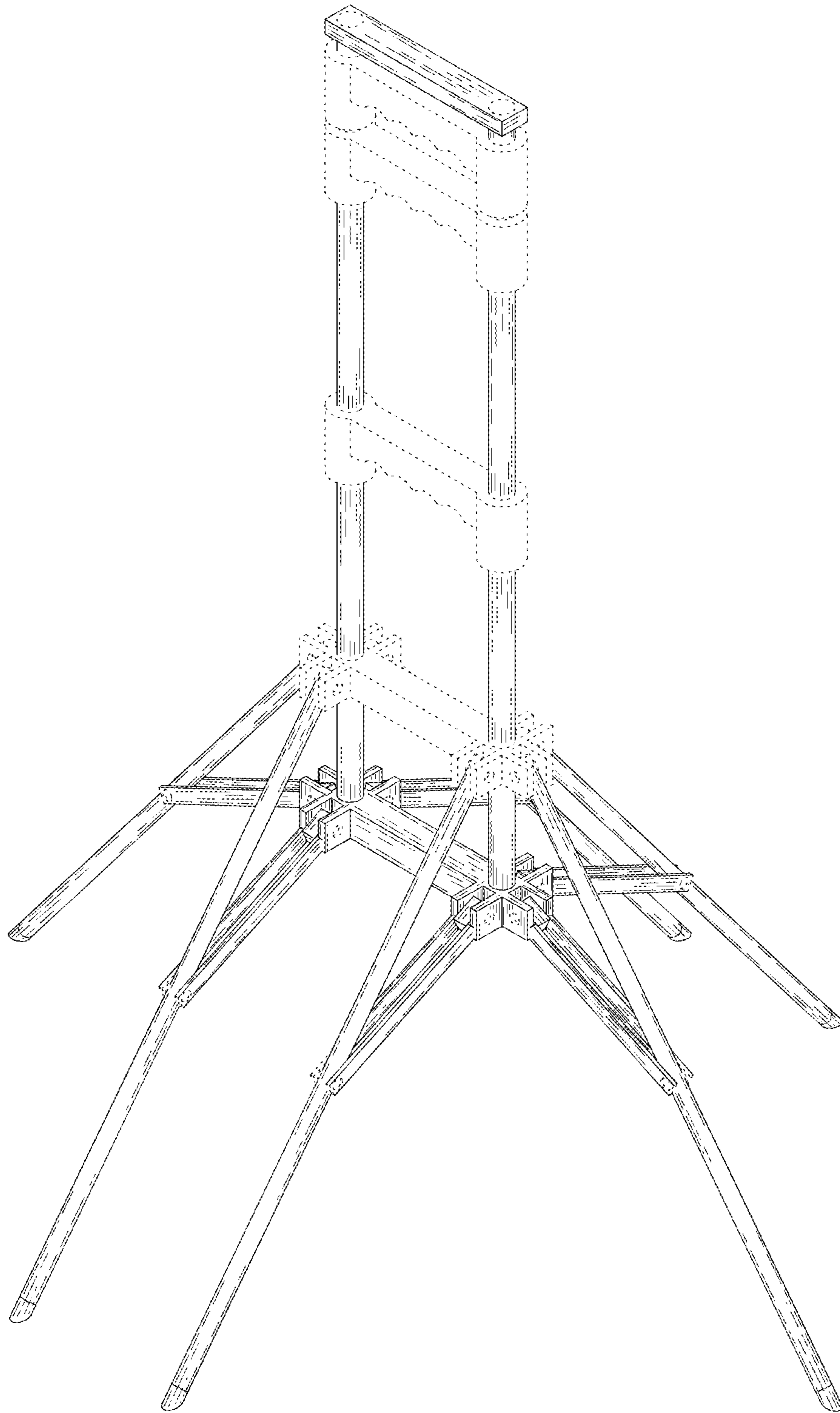


FIG. 1

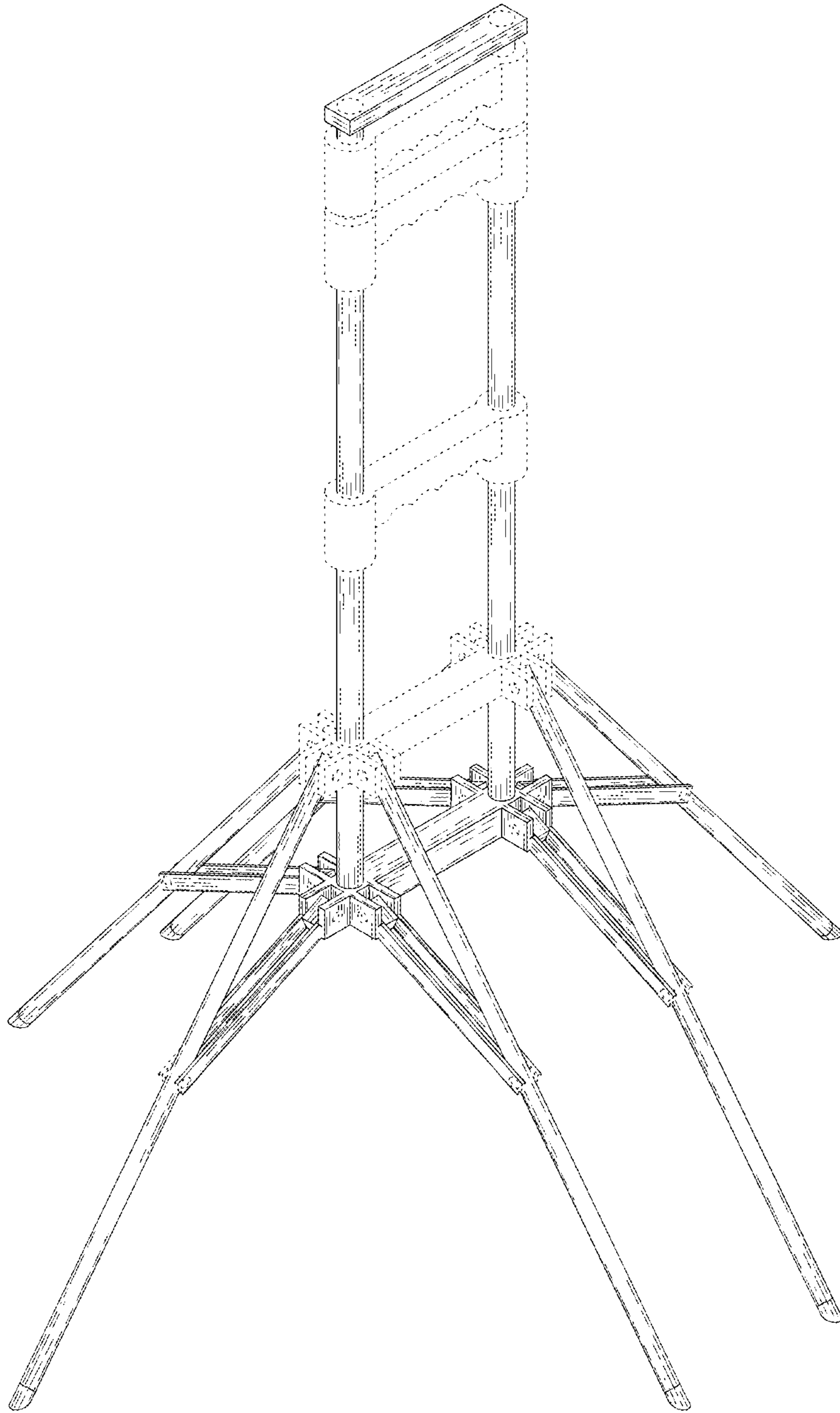


FIG. 2

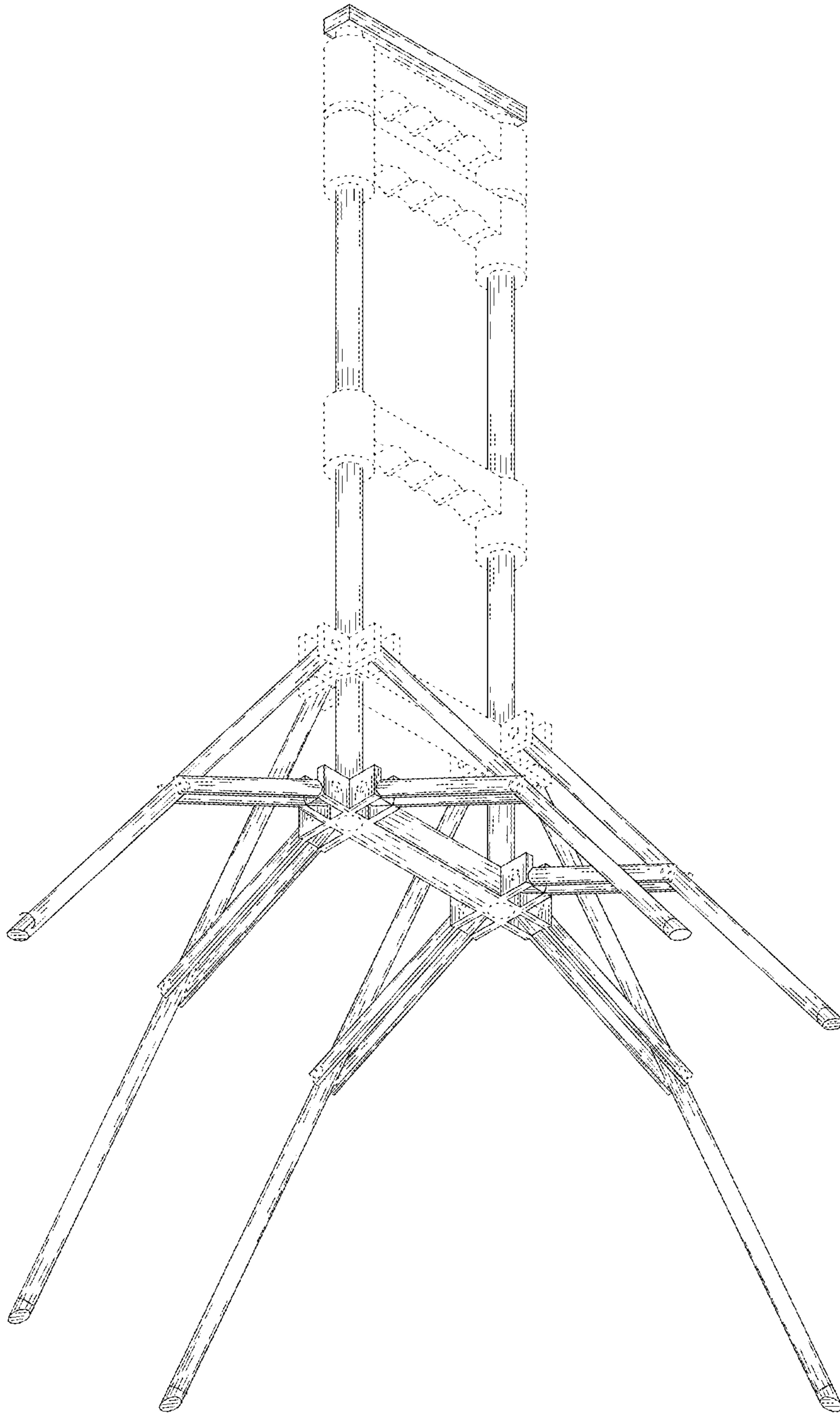


FIG. 3

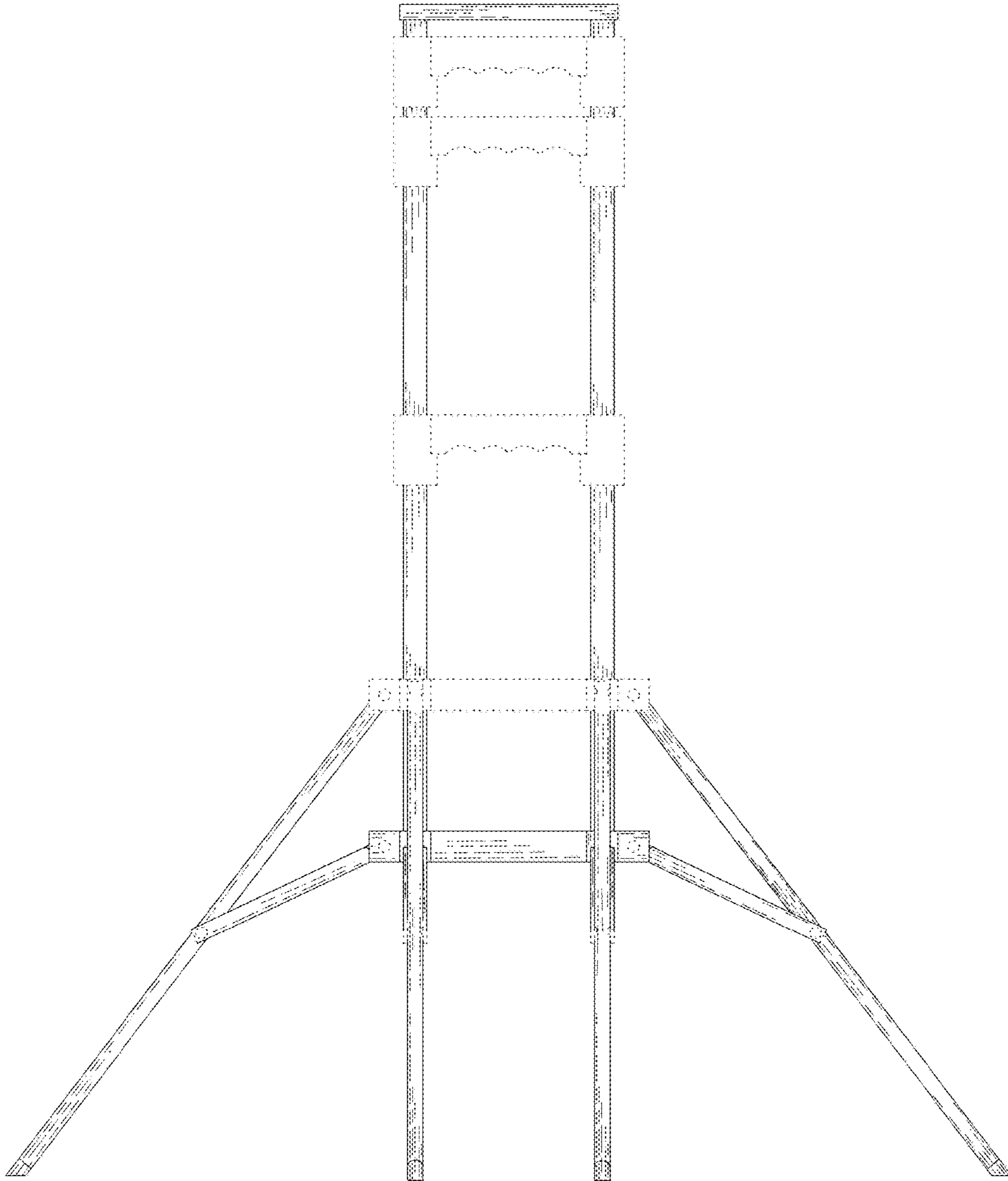


FIG. 4

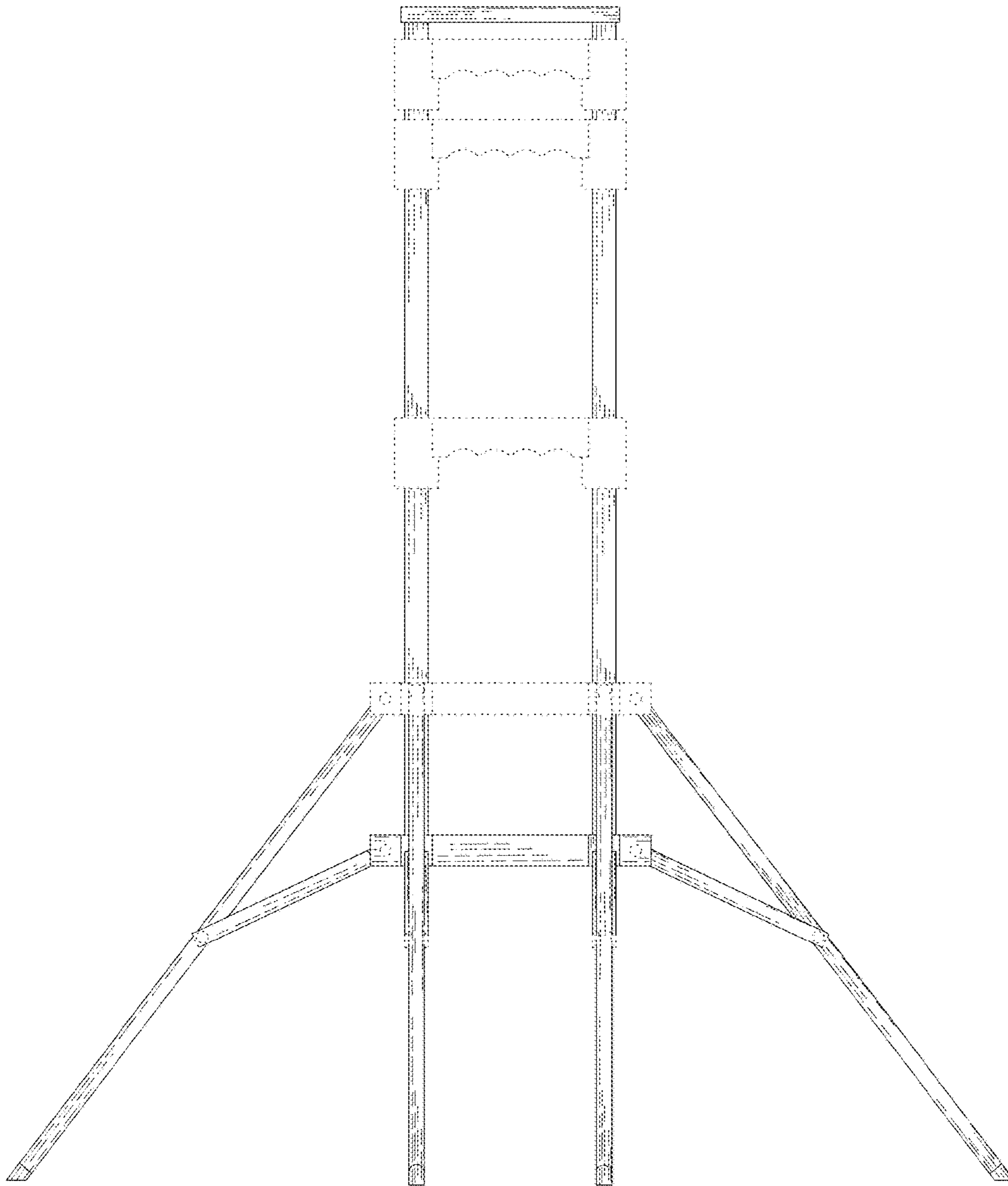


FIG. 5

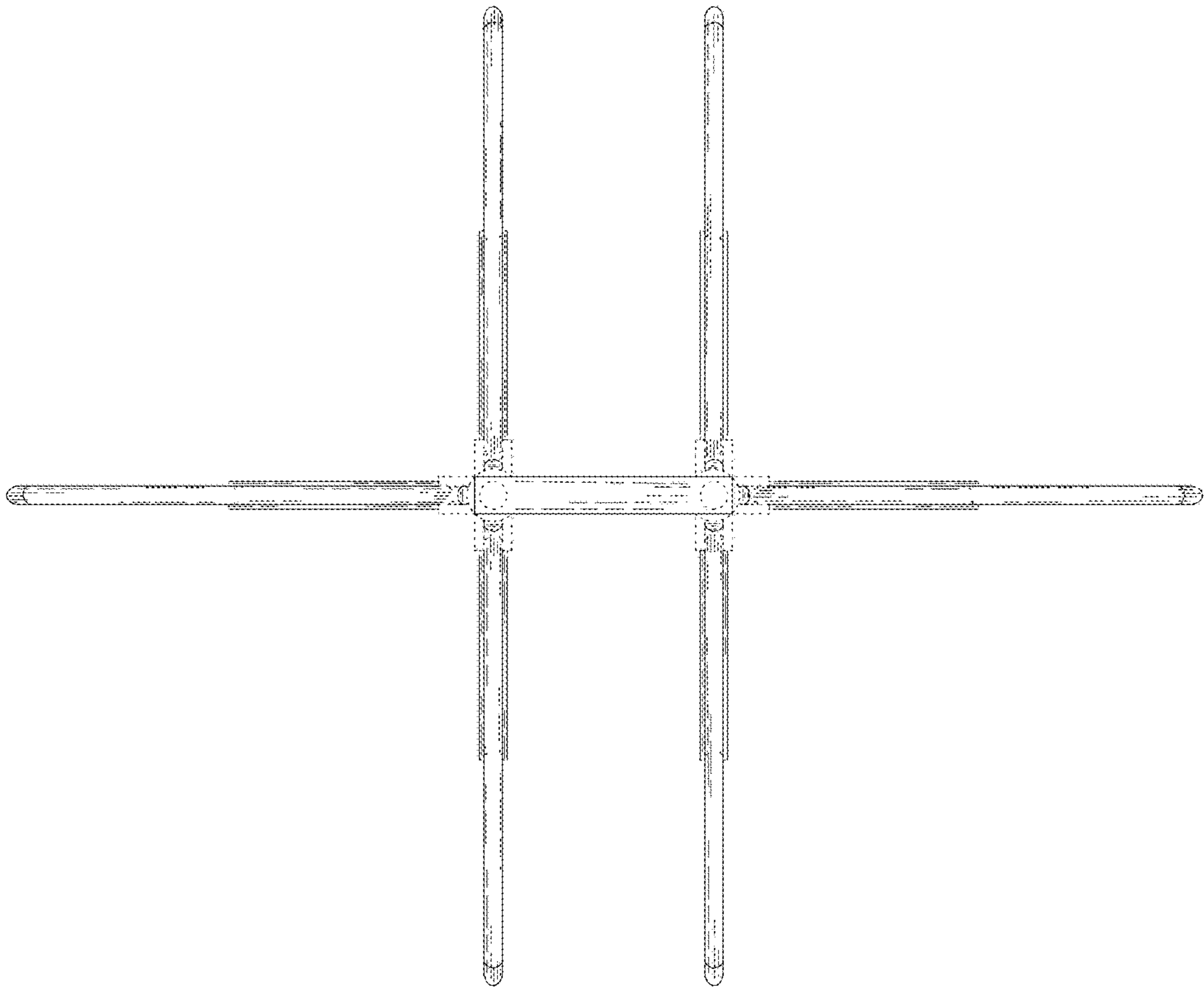


FIG. 6

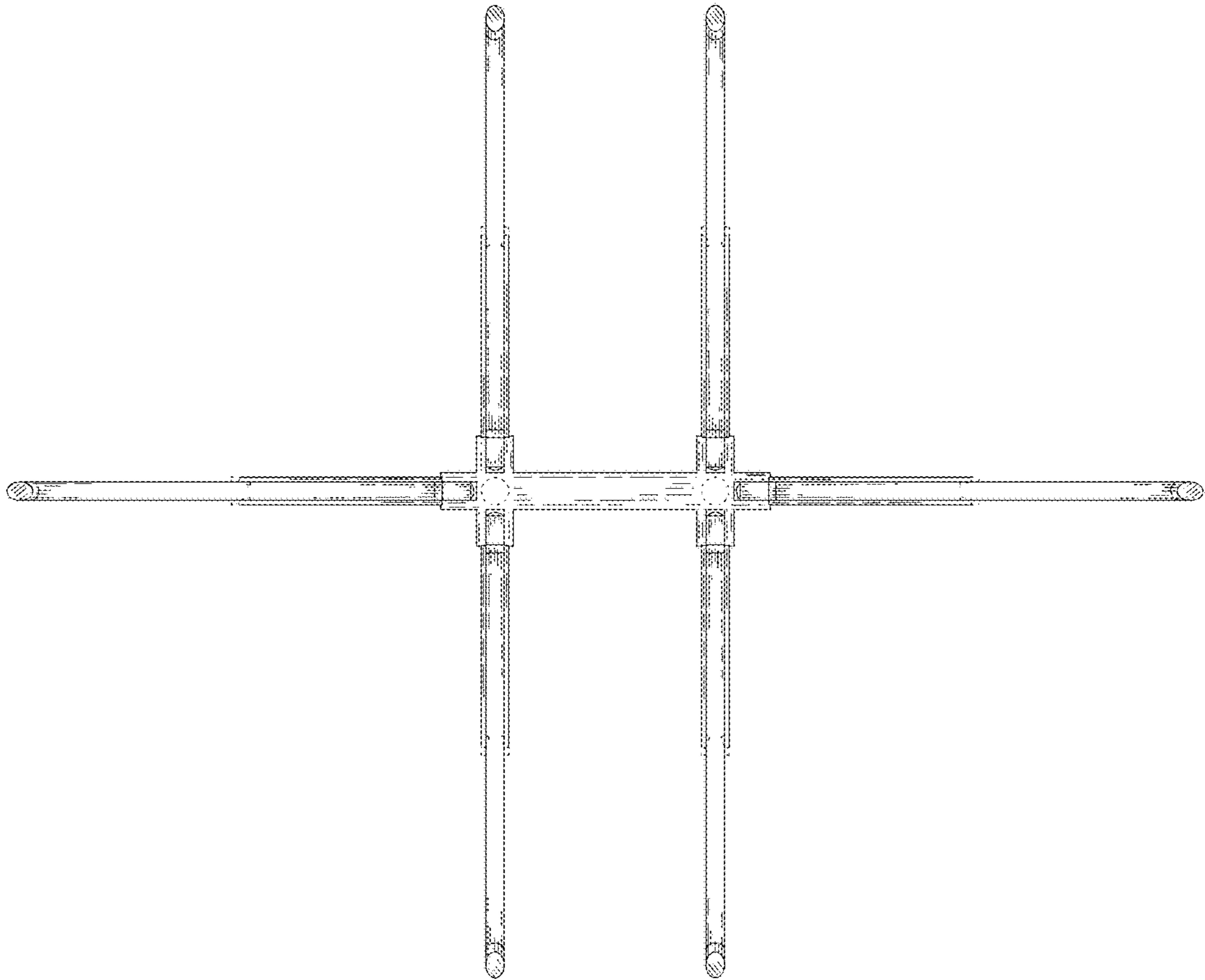


FIG. 7

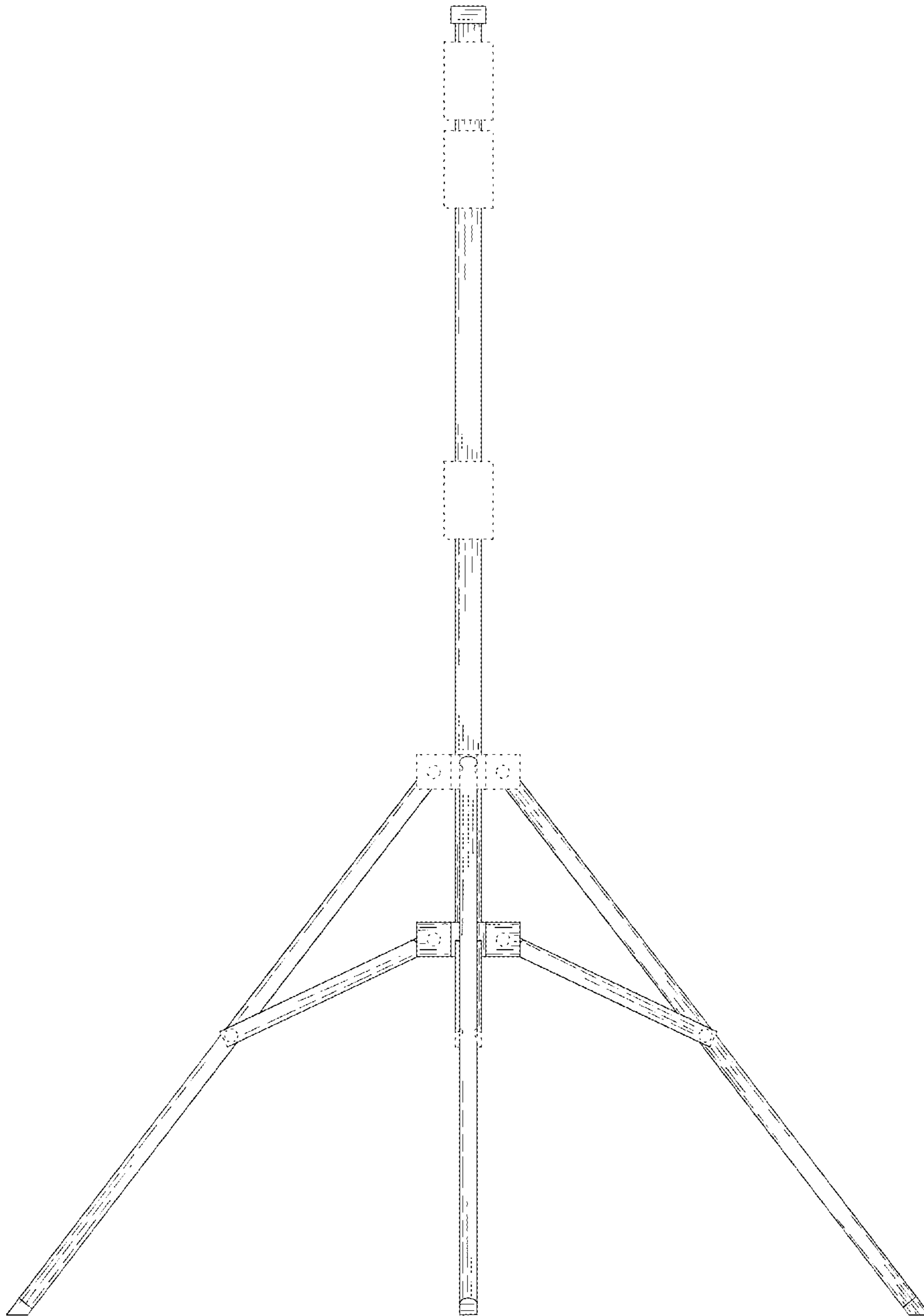


FIG. 8

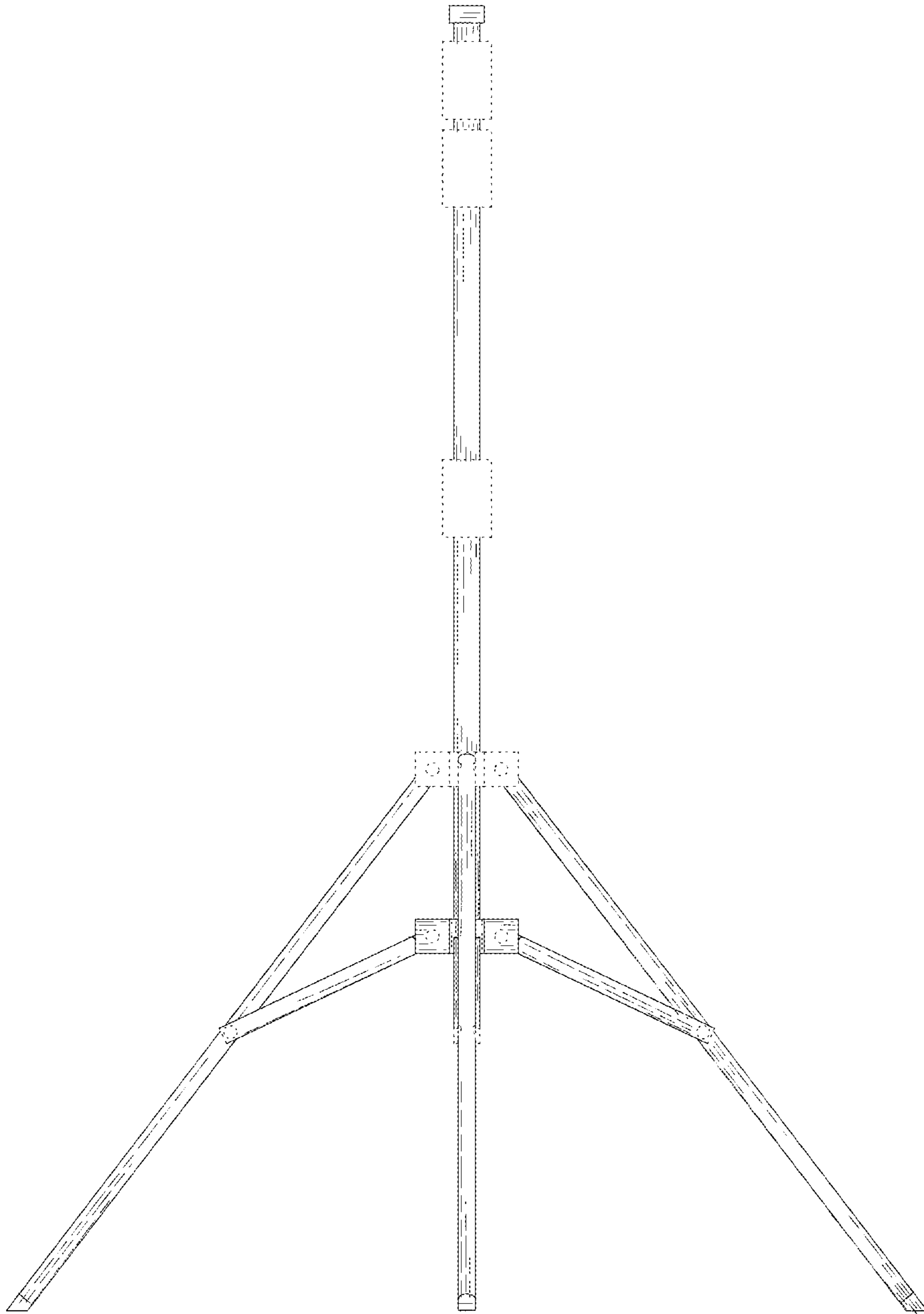


FIG. 9

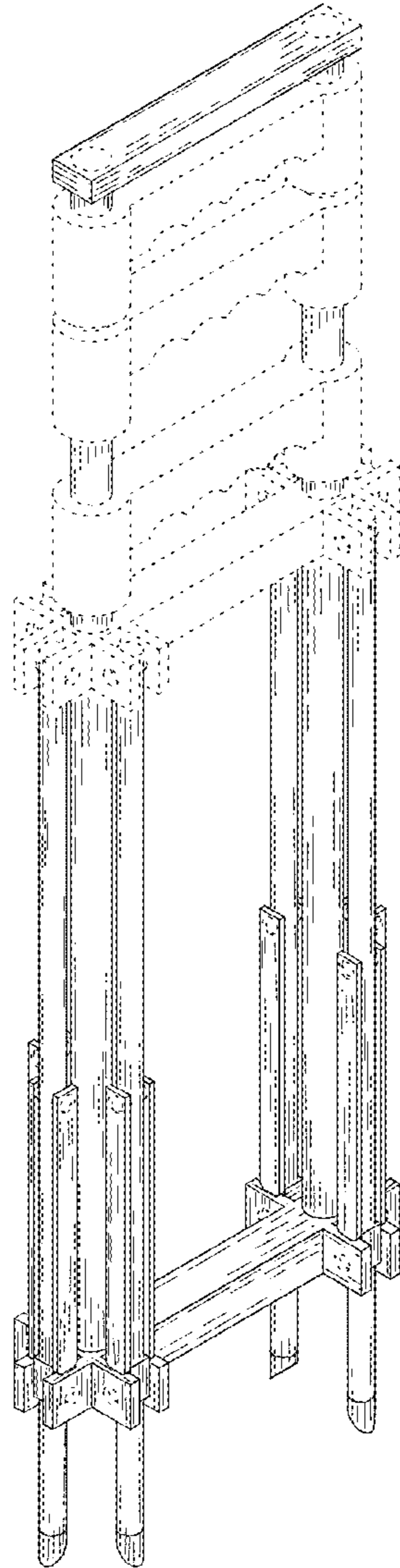


FIG. 10

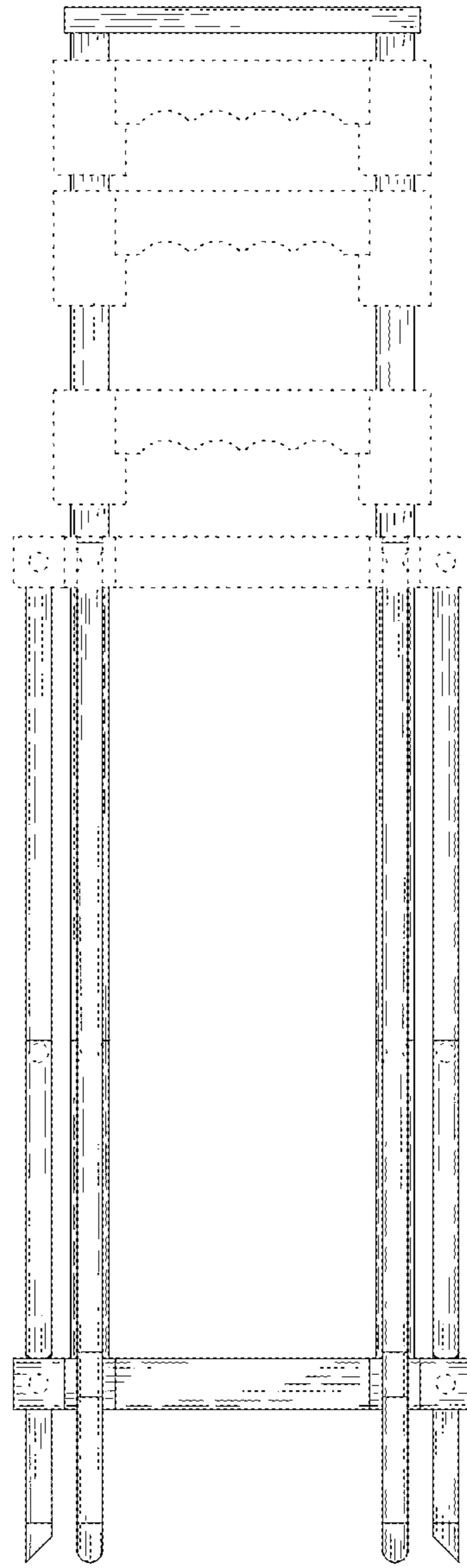


FIG. 11

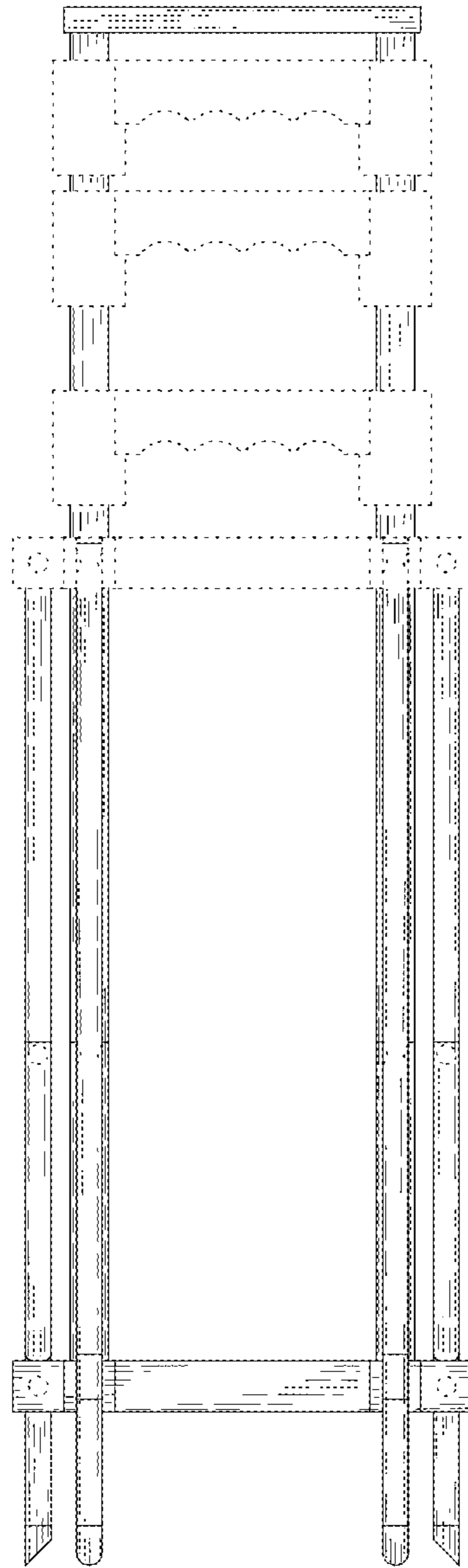


FIG. 12

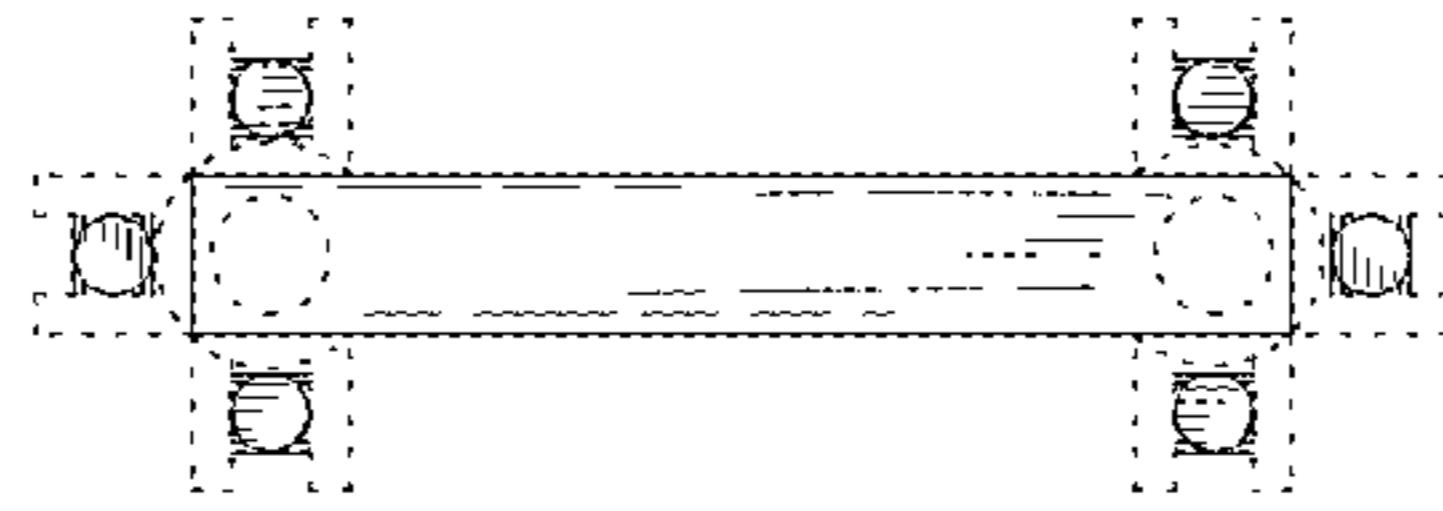


FIG. 13

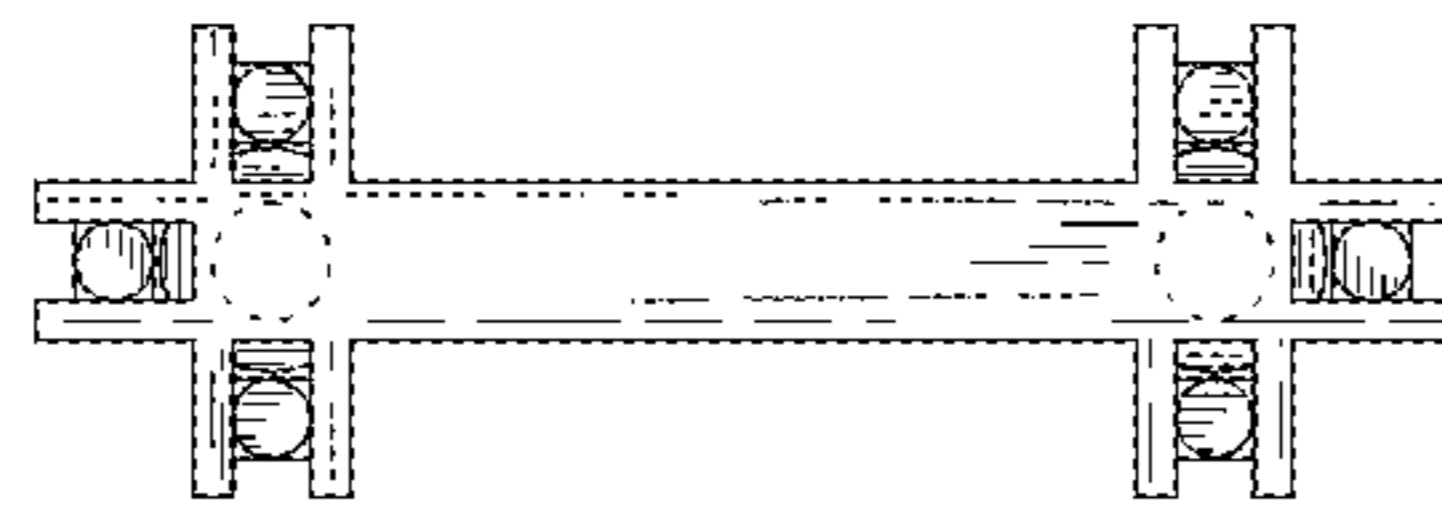


FIG. 14

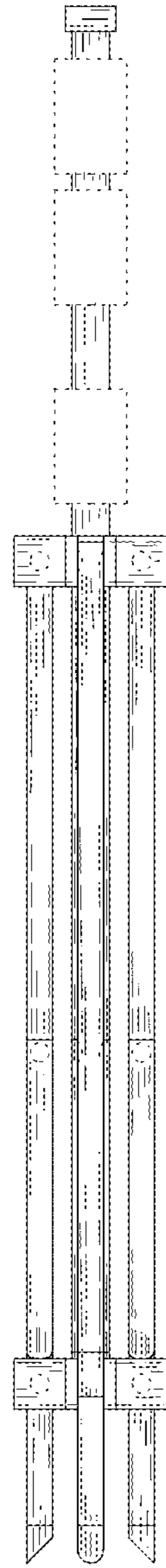


FIG. 15

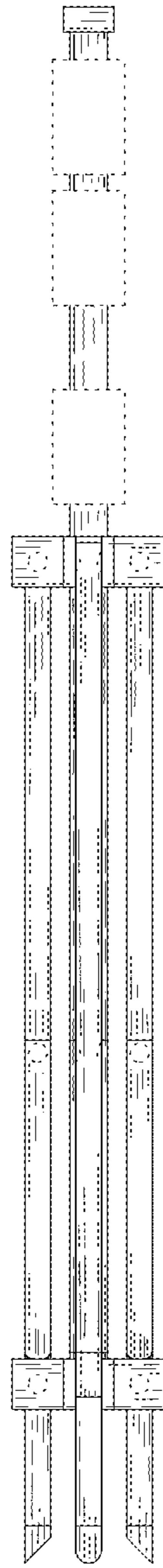


FIG. 16