



US00D845375S

(12) **United States Design Patent** (10) **Patent No.:** **US D845,375 S**
Kuroda (45) **Date of Patent:** **** *Apr. 9, 2019**

(54) **PROJECTOR**
(71) Applicant: **FUJIFILM Corporation**, Tokyo (JP)
(72) Inventor: **Yasuto Kuroda**, Saitama (JP)
(73) Assignee: **FUJIFILM Corporation**, Minato-Ku, Tokyo (JP)

D109,314 S * 4/1938 Devries D8/313
3,461,009 A * 8/1969 Snyder B29C 33/0011
156/242
D379,918 S * 6/1997 Mattson D8/313
5,908,265 A * 6/1999 Mostkoff E02B 3/046
405/29
D447,964 S * 9/2001 Kompa D10/103
D461,200 S * 8/2002 Pierotti D16/101
(Continued)

(*) Notice: This patent is subject to a terminal disclaimer.
(**) Term: **15 Years**
(21) Appl. No.: **29/573,075**
(22) Filed: **Aug. 2, 2016**

(30) **Foreign Application Priority Data**
Feb. 5, 2016 (JP) 2016-002561
Feb. 5, 2016 (JP) 2016-002562

(51) **LOC (11) Cl.** **16-02**
(52) **U.S. Cl.**
USPC **D16/235**

(58) **Field of Classification Search**
USPC D16/101, 134, 137, 302, 305, 312,
D16/221-236; D26/2, 35, 36, 123, 124;
353/115, 119, 122; D8/300, 306, 307,
D8/311, 313, 316
CPC G03B 21/00; G03B 21/20; G03B 21/2006;
G03B 21/2013; G03B 21/202; G03B
21/2026; G03B 21/001; G03B 21/12;
G03B 21/14; G03B 21/145; G03B 13/00;
G03B 13/06; G02B 1/041; G02B 5/00;
G02B 27/00
See application file for complete search history.

(56) **References Cited**
U.S. PATENT DOCUMENTS
D38,410 S * 1/1907 Crary D26/35
D68,189 S * 9/1925 Beyer D26/35
D68,896 S * 12/1925 Berk D26/35

OTHER PUBLICATIONS

Planetarium Projectors; Retrieved from Discovery Dome <http://www.eplanetarium.com/projectors.php>; Retrieved on Apr. 17, 2018; found on discoverydome.com Mar. 7, 2010 (tineye) <https://tineye.com/search/c31000b80d57d663796517129fd37e4e1949e441/> (Year: 2010).*

Primary Examiner — Wan Laymon
Assistant Examiner — Clint A Samuel
(74) *Attorney, Agent, or Firm* — Sughrue Mion, PLLC

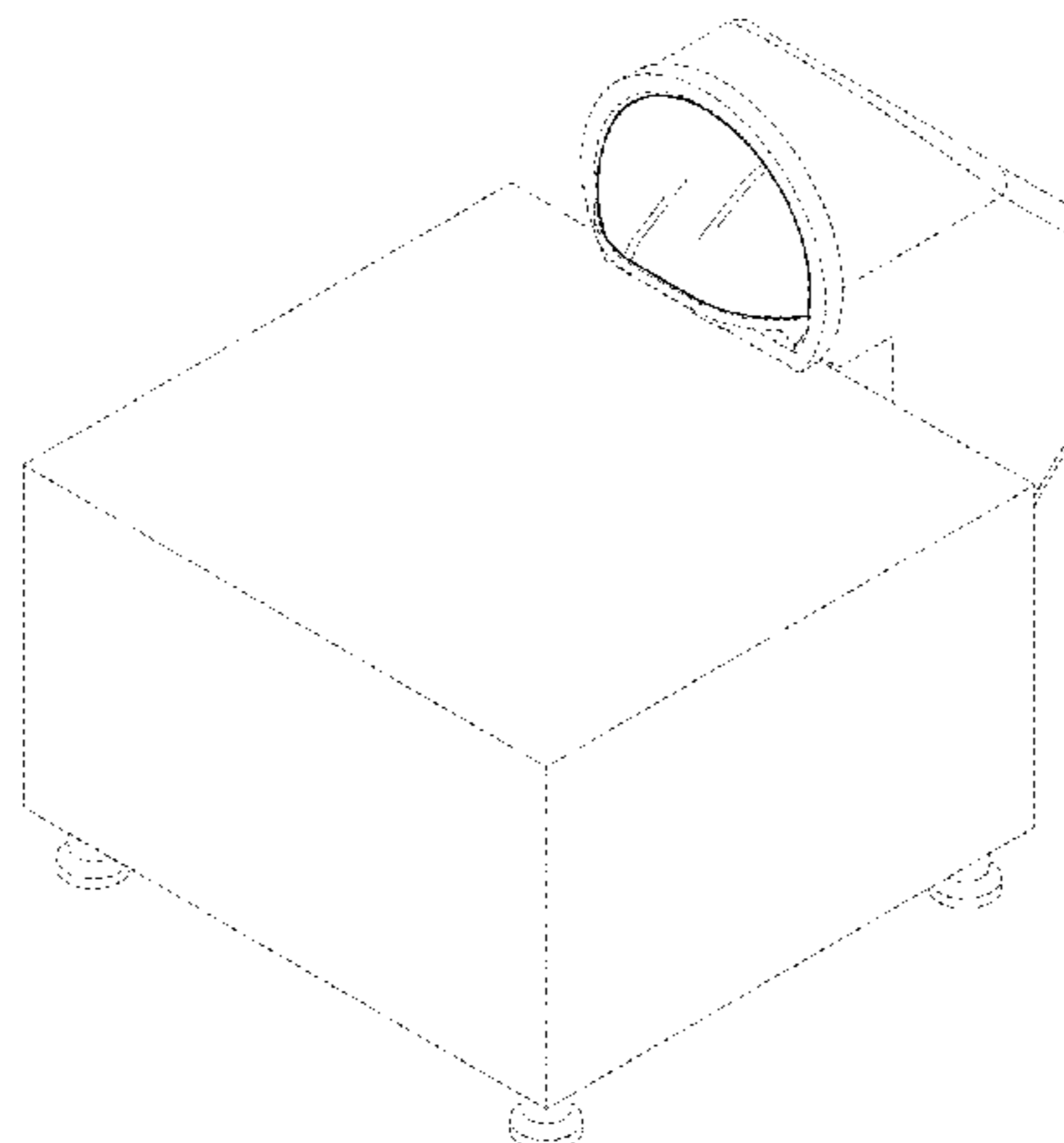
(57) **CLAIM**

The ornamental design for a projector, as shown and described.

DESCRIPTION

FIG. 1 is a perspective view of the projector, showing the new design;
FIG. 2 is a front view thereof.
FIG. 3 is a rear view thereof.
FIG. 4 is a top view thereof.
FIG. 5 is a bottom view thereof.
FIG. 6 is a left side view thereof; and,
FIG. 7 is a right side view thereof.
The broken lines are used to show portions of the projector that are not being claimed, and thus form no part of the claimed design.
The portions represented with solid lines represent claimed portions. The portions indicated by solid lines are transparent.

1 Claim, 7 Drawing Sheets



(56)

References Cited

U.S. PATENT DOCUMENTS

D500,343 S *	12/2004	McRobbie	D20/28	9,004,700 B2 *	4/2015	DeCusatis	G03B 35/16 353/122
D534,076 S *	12/2006	Green	A45D 40/0068 D9/435	D765,752 S *	9/2016	Chiu	D16/101
D553,661 S *	10/2007	Nakayama	D16/235	D765,753 S *	9/2016	Hsu	D16/101
D554,174 S *	10/2007	Nakayama	D16/235	D771,860 S *	11/2016	Weiss	D26/110
D574,216 S *	8/2008	Jou	D8/313	D773,302 S *	12/2016	Henriksson	D9/451
D575,620 S *	8/2008	Jou	D8/313	D778,334 S *	2/2017	Takatori	D16/134
D579,752 S *	11/2008	Matijevic	D8/305	D782,103 S *	3/2017	Shields	D26/124
D589,325 S *	3/2009	Mattson	D8/313	9,709,879 B2 *	7/2017	Otsuki	G03B 21/145
D611,080 S *	3/2010	Chen	D16/101	9,726,964 B2 *	8/2017	Enokishima	G03B 21/145
D616,005 S *	5/2010	Peng	D16/101	D803,470 S *	11/2017	Austin, III	D26/118
D624,105 S *	9/2010	Peng	D16/101	D803,918 S *	11/2017	Kameda	D16/134
D630,666 S *	1/2011	Matsumoto	D16/134	2005/0213058 A1 *	9/2005	Inamoto	F21K 9/00 353/122
D631,076 S *	1/2011	Liu	D16/134	2013/0141801 A1 *	6/2013	Yun	G02B 9/62 359/716
D655,739 S *	3/2012	Ogawa	D16/225	2013/0286355 A1 *	10/2013	Lin	G03B 21/206 353/7
D661,721 S *	6/2012	Fujikawa	D16/225	2015/0378247 A1 *	12/2015	Otsuki	G03B 21/145 353/101
D663,346 S *	7/2012	Fujikawa	D16/225	2016/0011494 A1 *	1/2016	Otsuki	G03B 21/145 353/119
D680,411 S *	4/2013	Ramsland	D8/313					
D701,638 S *	3/2014	Inaba	D26/124					
D719,700 S *	12/2014	Chou	D26/120					
D727,558 S *	4/2015	Tang	D26/120					

* cited by examiner

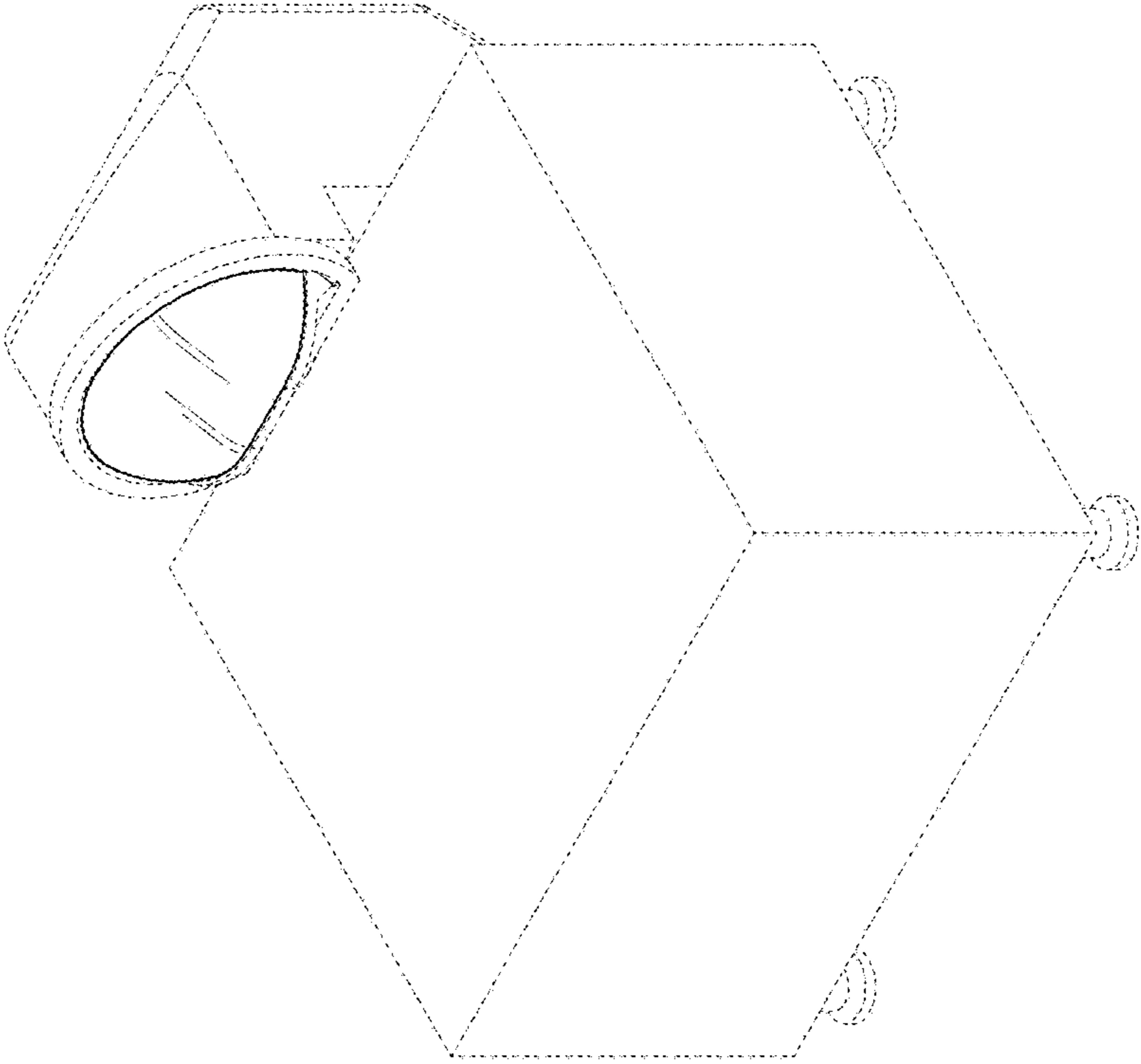


FIG.1

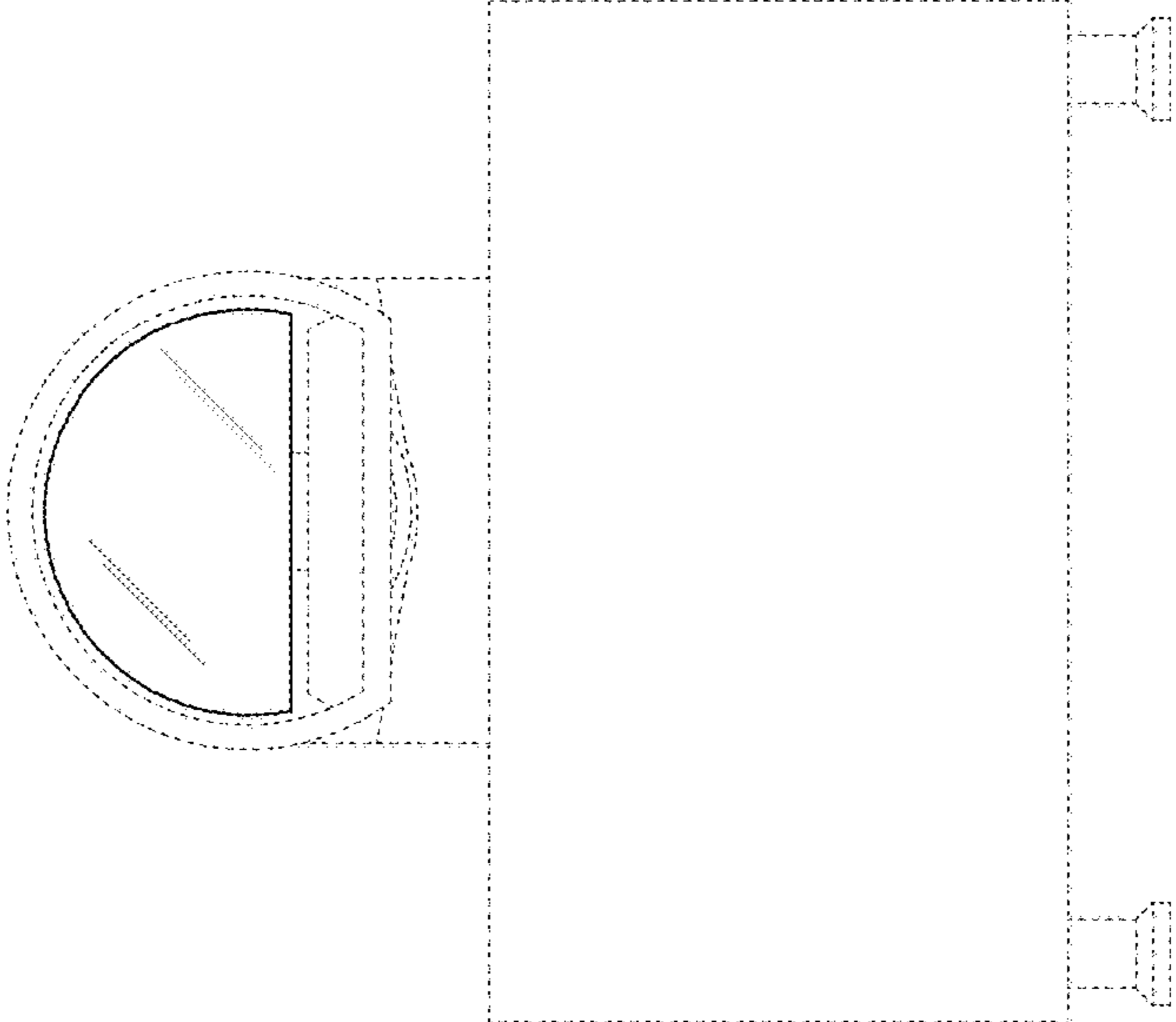


FIG.2

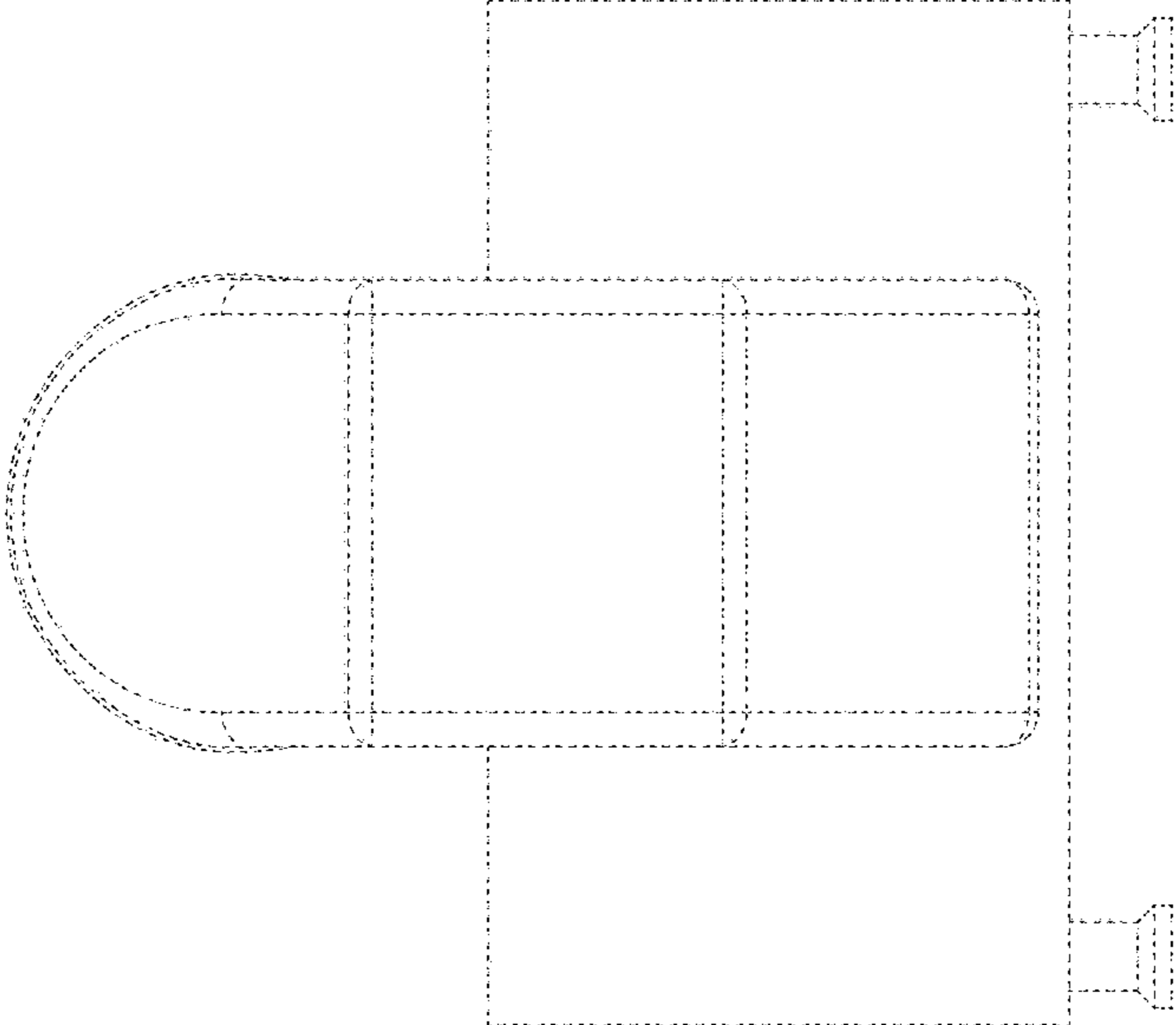


FIG.3

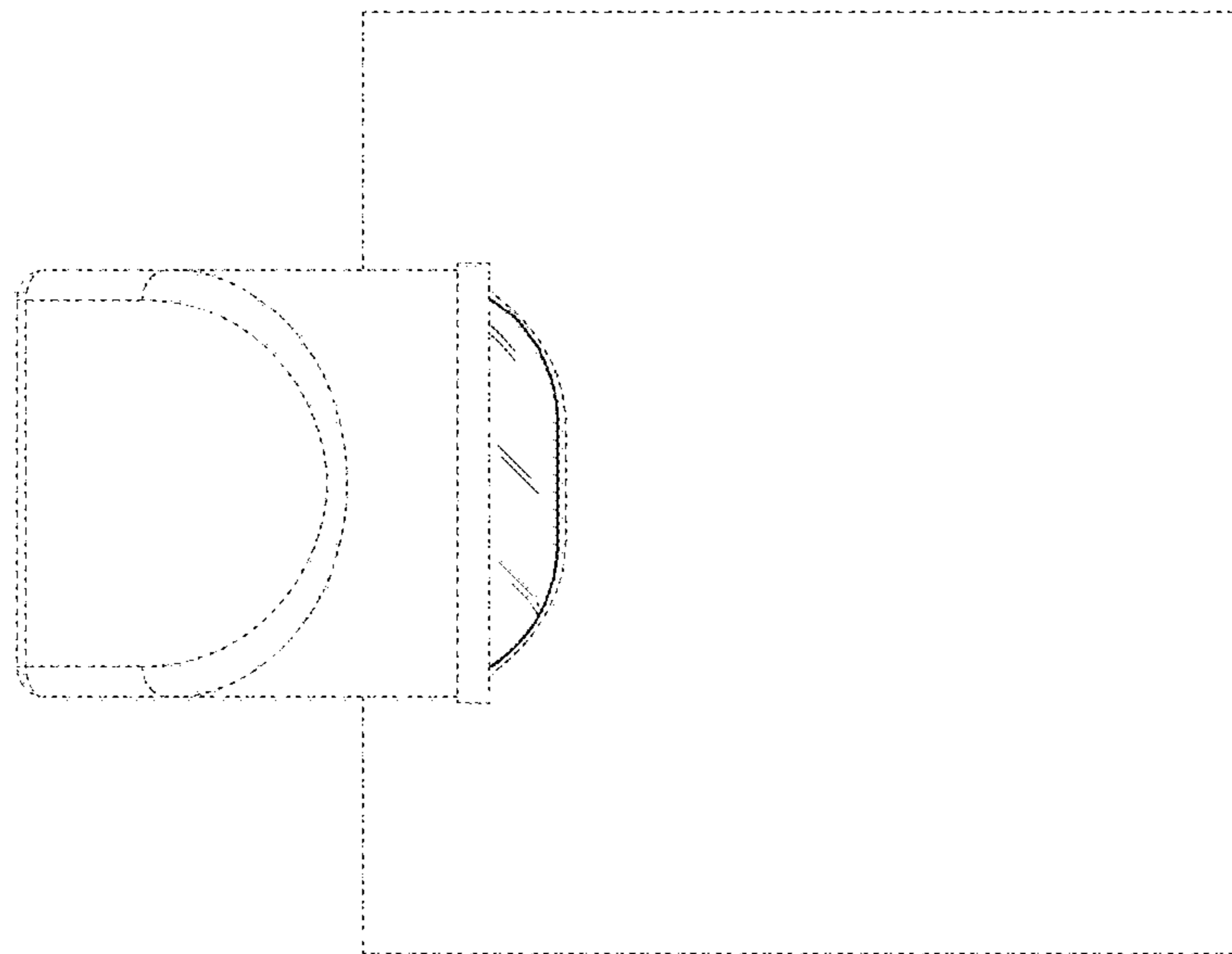


FIG.4

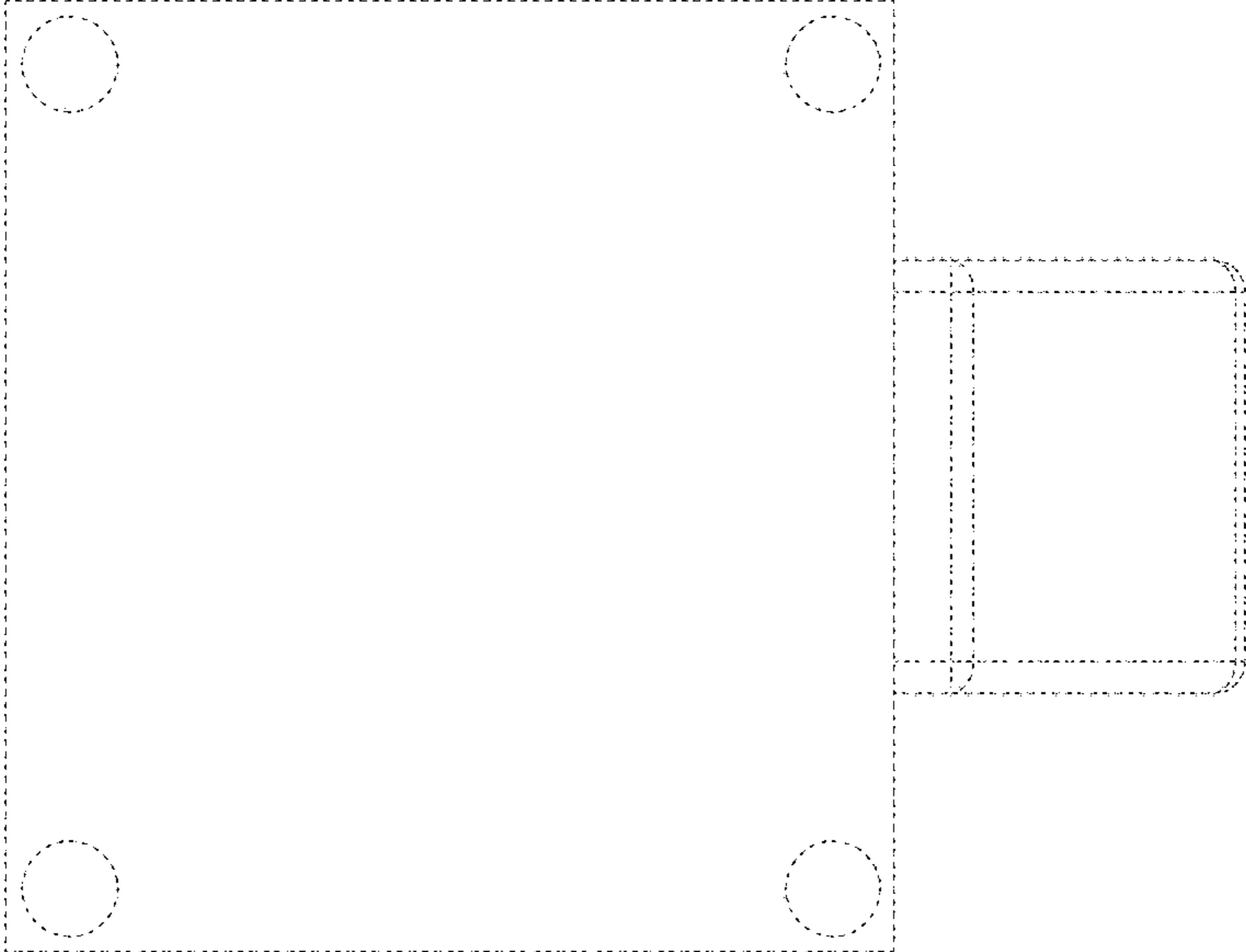


FIG. 5

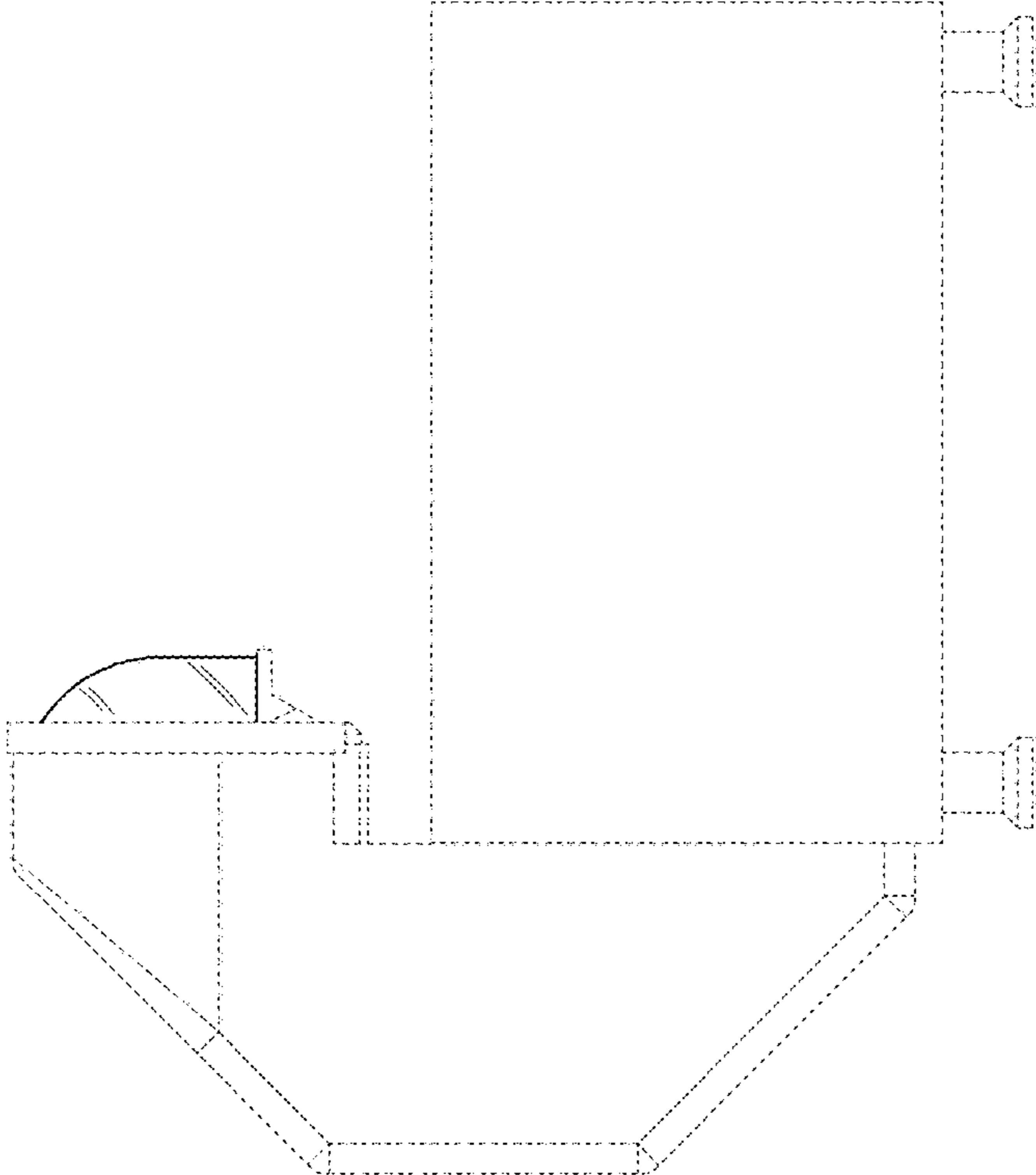


FIG.6

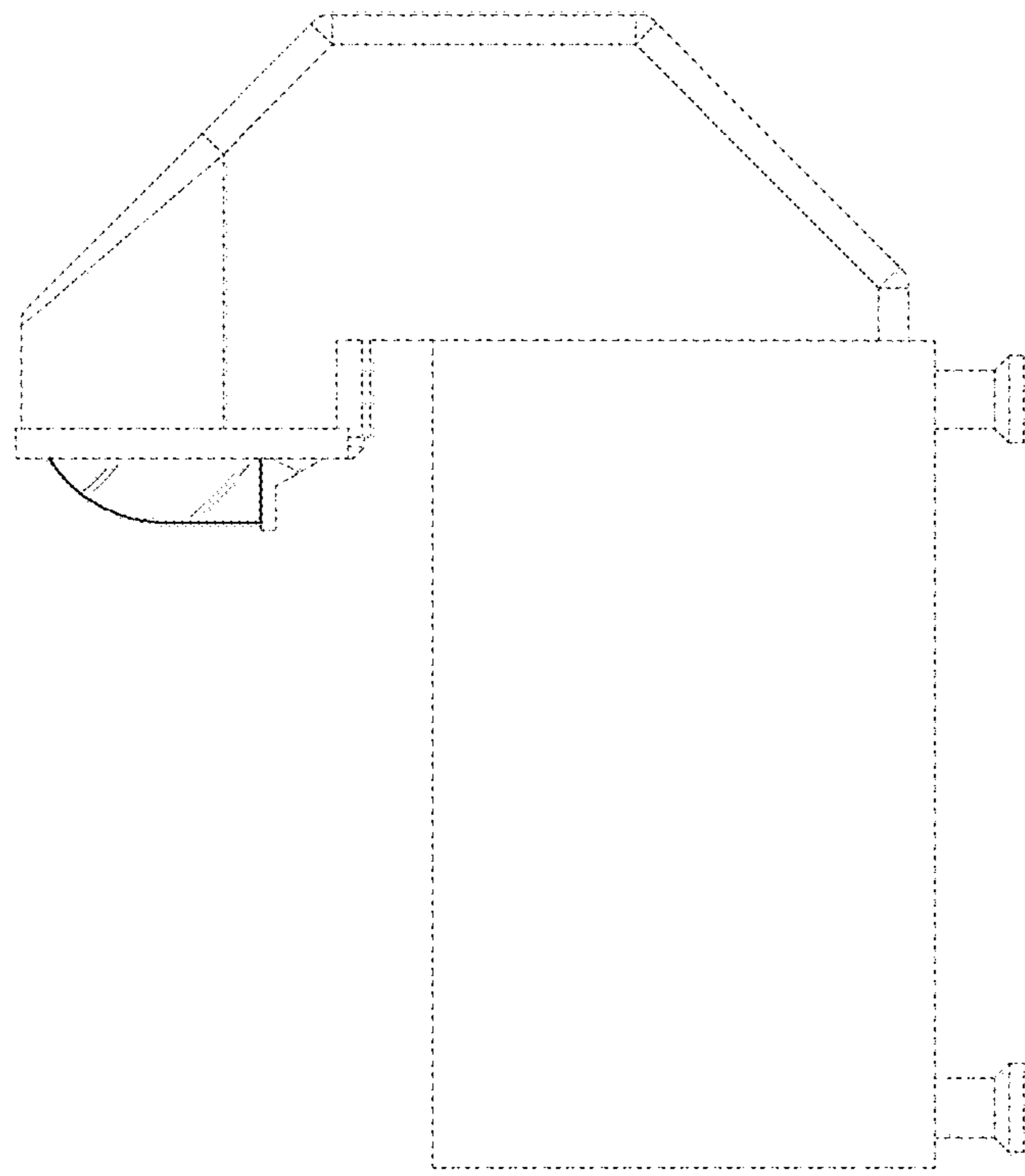


FIG. 7