



US00D845374S

(12) **United States Design Patent**  
**Song**

(10) **Patent No.:** **US D845,374 S**

(45) **Date of Patent:** **\*\* Apr. 9, 2019**

(54) **MINI DLP CONSOLE PROJECTOR**

(71) Applicant: **Shenzhen Fanghua DLP Technology Co., Ltd**, Shenzhen, Guangdong (CN)

(72) Inventor: **Jie Song**, Guangdong (CN)

(73) Assignee: **Shenzhen Fanghua DLP Technology Co., Ltd.**, Shenzhen, Guangdong (CN)

(\*\*) Term: **15 Years**

(21) Appl. No.: **29/594,983**

(22) Filed: **Feb. 24, 2017**

(51) **LOC (11) Cl.** ..... **16-02**

(52) **U.S. Cl.**  
USPC ..... **D16/230**

(58) **Field of Classification Search**  
USPC ..... D16/221, 225, 230–231, 234; D21/514;  
353/119  
CPC ..... G03B 21/14; G03B 21/145; G03B 21/12;  
G03B 21/00; G03B 21/001; G03B 21/003  
See application file for complete search history.

(56) **References Cited**

**U.S. PATENT DOCUMENTS**

|                   |         |            |       |                        |
|-------------------|---------|------------|-------|------------------------|
| D382,002 S *      | 8/1997  | Hix        | ..... | D16/225                |
| 7,216,989 B2 *    | 5/2007  | Sakurai    | ..... | G03B 21/145<br>353/119 |
| D559,885 S *      | 1/2008  | Schoenert  | ..... | D16/225                |
| D722,099 S *      | 2/2015  | Lee        | ..... | D16/225                |
| D768,227 S *      | 10/2016 | Lee        | ..... | D16/230                |
| D813,933 S *      | 3/2018  | Bukhovtsev | ..... | D16/230                |
| 2006/0238724 A1 * | 10/2006 | Trivedi    | ..... | G11B 31/00<br>353/119  |

**FOREIGN PATENT DOCUMENTS**

|    |           |   |        |
|----|-----------|---|--------|
| CN | 304045920 | * | 9/2016 |
| CN | 304505352 | * | 9/2017 |

**OTHER PUBLICATIONS**

FHPC-01 Crescent Mini PC Console Projector User Manual. Shenzhen Fanghua DLP Technology Co., Ltd, 2017 [retrieved on Jun. 26, 2018]. Retrieved from the Internet: <https://fccid.io/2AKISFHPC-01/User-Manual/User-Manual-3618455>>.\*  
Wireless portable mini projector plays 3D,1080p + USB-C HDMI. Viotek [retrieved on Jun. 26, 2018]. Retrieved from the Internet: <https://viotek.com/projector/viotek-crescent-mini-projector/>.\*  
PC01 Portable Wireless Mini DLP LED HD 3D Projector Support Wi-Fi Bluetooth High Brightness with Laser Keyboard—Black (EU Plug) [retrieved on Jun. 26, 2018]. Retrieved from the Internet: <http://www.dx.com/p/pc01-portable-wireless-mini-dlp-led-hd-3d-projector-support-wi-fi-bluetooth-high-brightness-with-laser-keybo> . . . .\*

\* cited by examiner

*Primary Examiner* — Wan Laymon

(74) *Attorney, Agent, or Firm* — Dragon Sun Law Firm, P.C.; Jinggao Li, Esq.

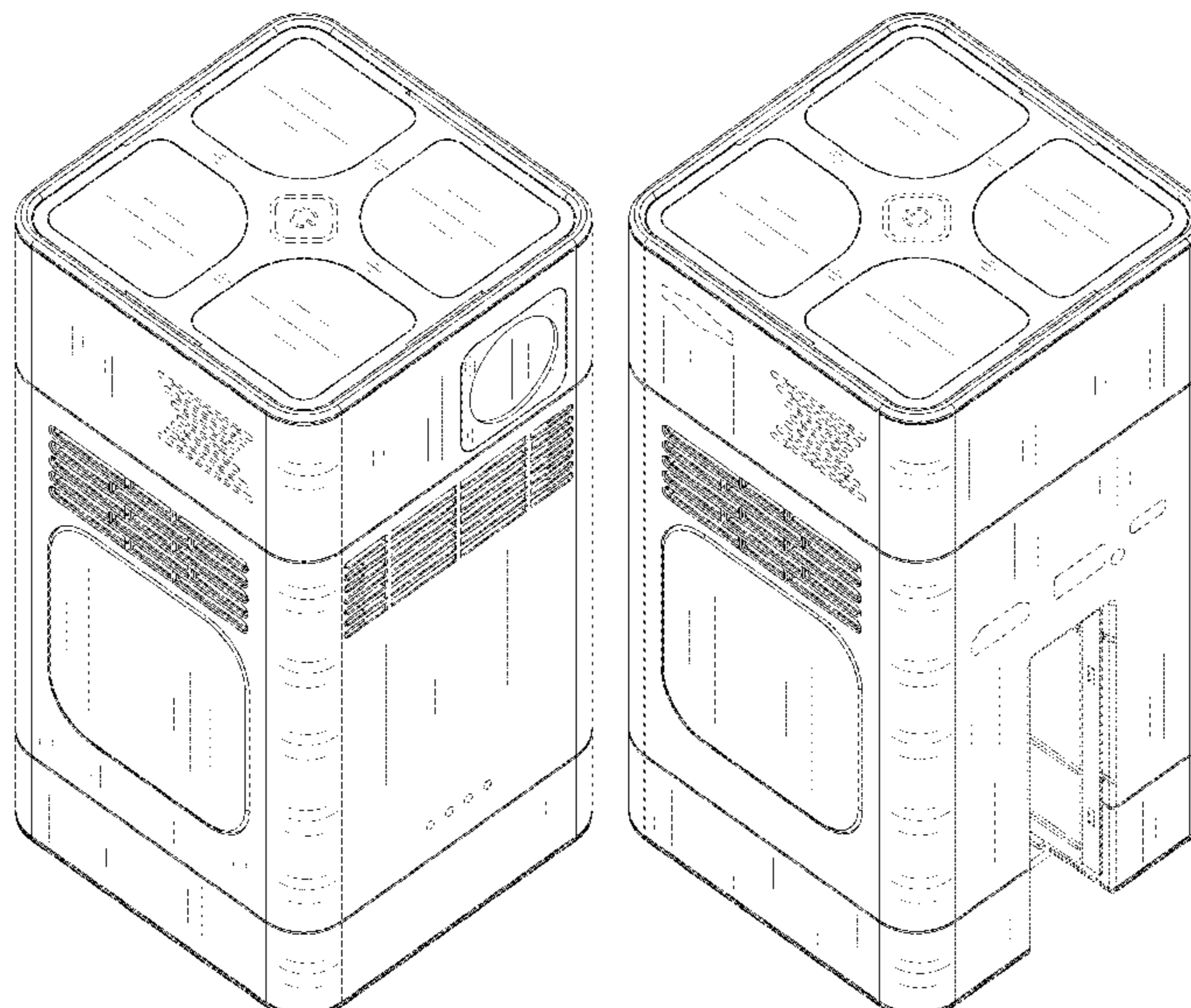
(57) **CLAIM**

The ornamental design for a mini DLP console projector, as shown and described.

**DESCRIPTION**

FIG. 1 is a front elevational view of a mini DLP console projector showing my new design; FIG. 2 is a rear elevational view thereof; FIG. 3 is a right side view thereof; FIG. 4 is a left side view thereof; FIG. 5 is a top plan view thereof; FIG. 6 is a bottom plan view thereof; FIG. 7 is a front, left and top perspective view thereof; and, FIG. 8 is a rear, right and top perspective view thereof. The broken lines in the drawings illustrate portions of the mini DLP console projector which form no part of the claimed design.

**1 Claim, 8 Drawing Sheets**



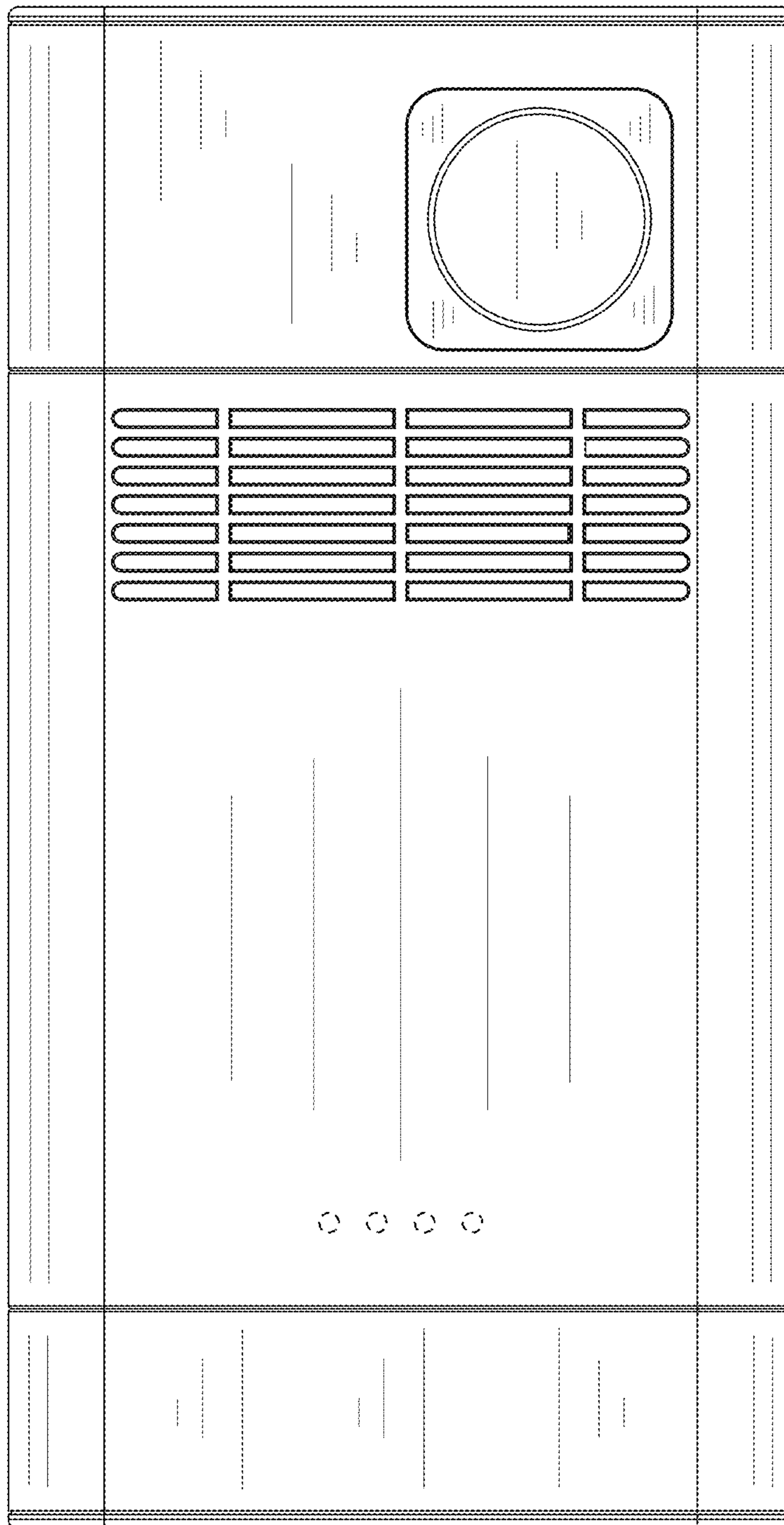


FIG. 1

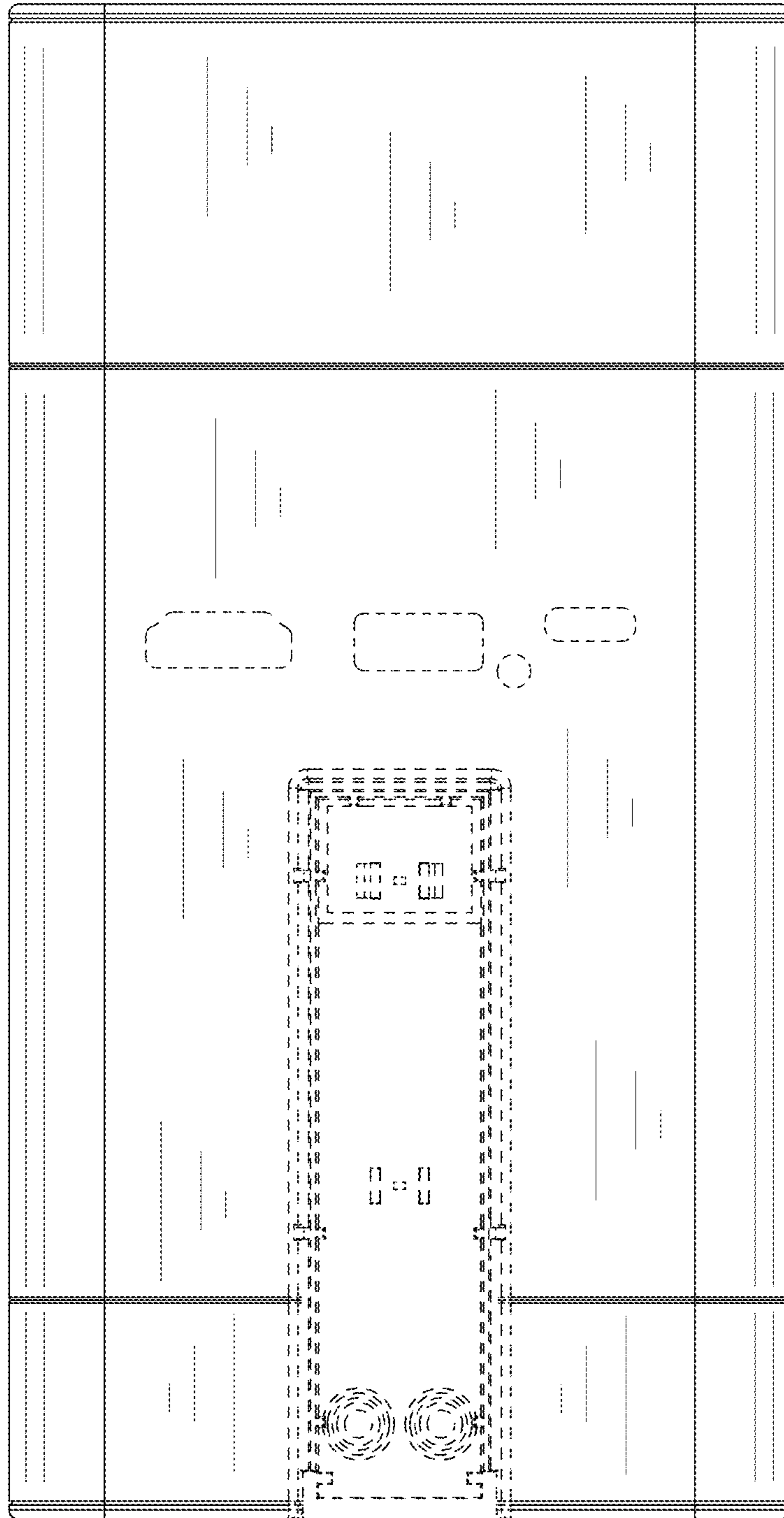


FIG. 2

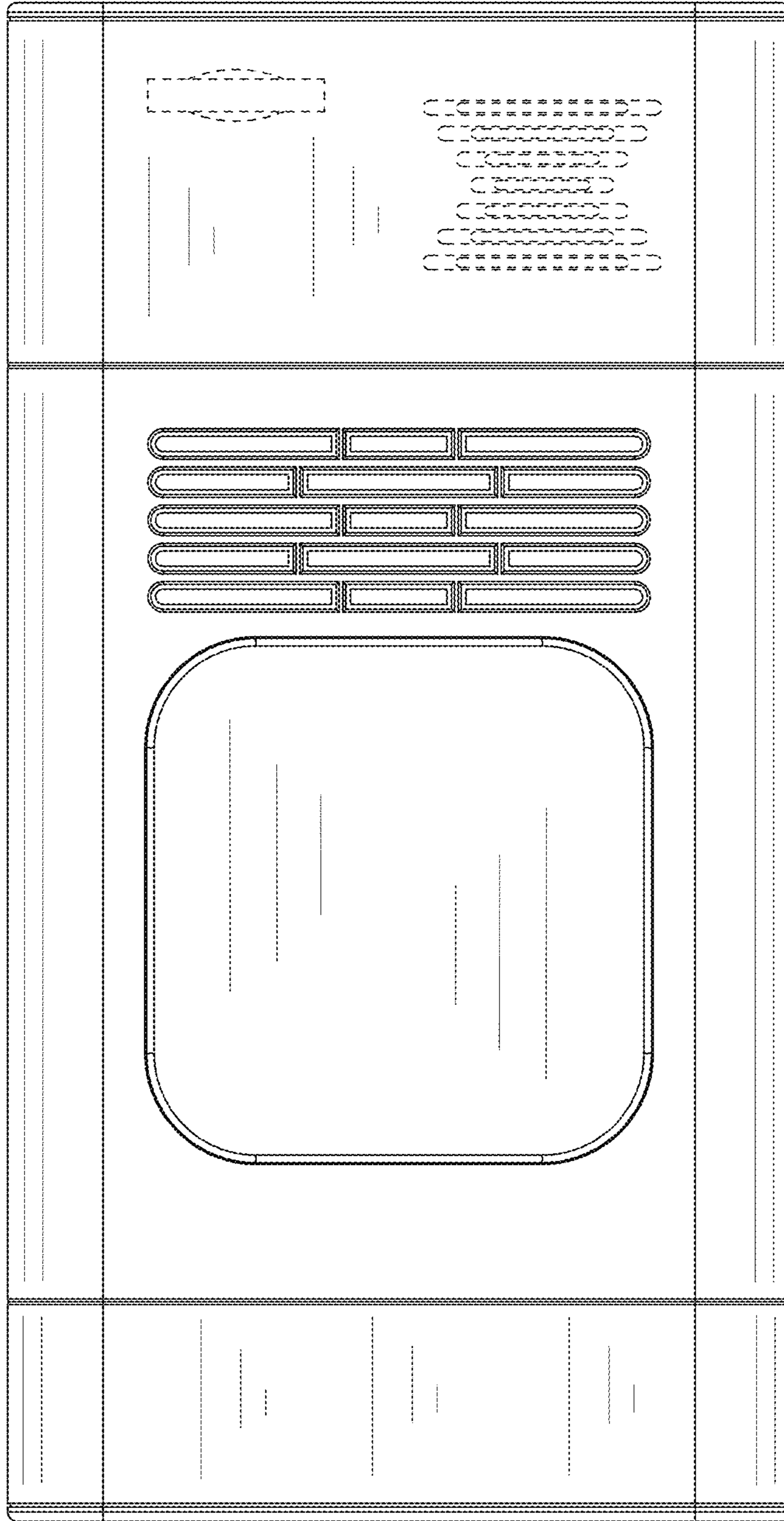


FIG. 3

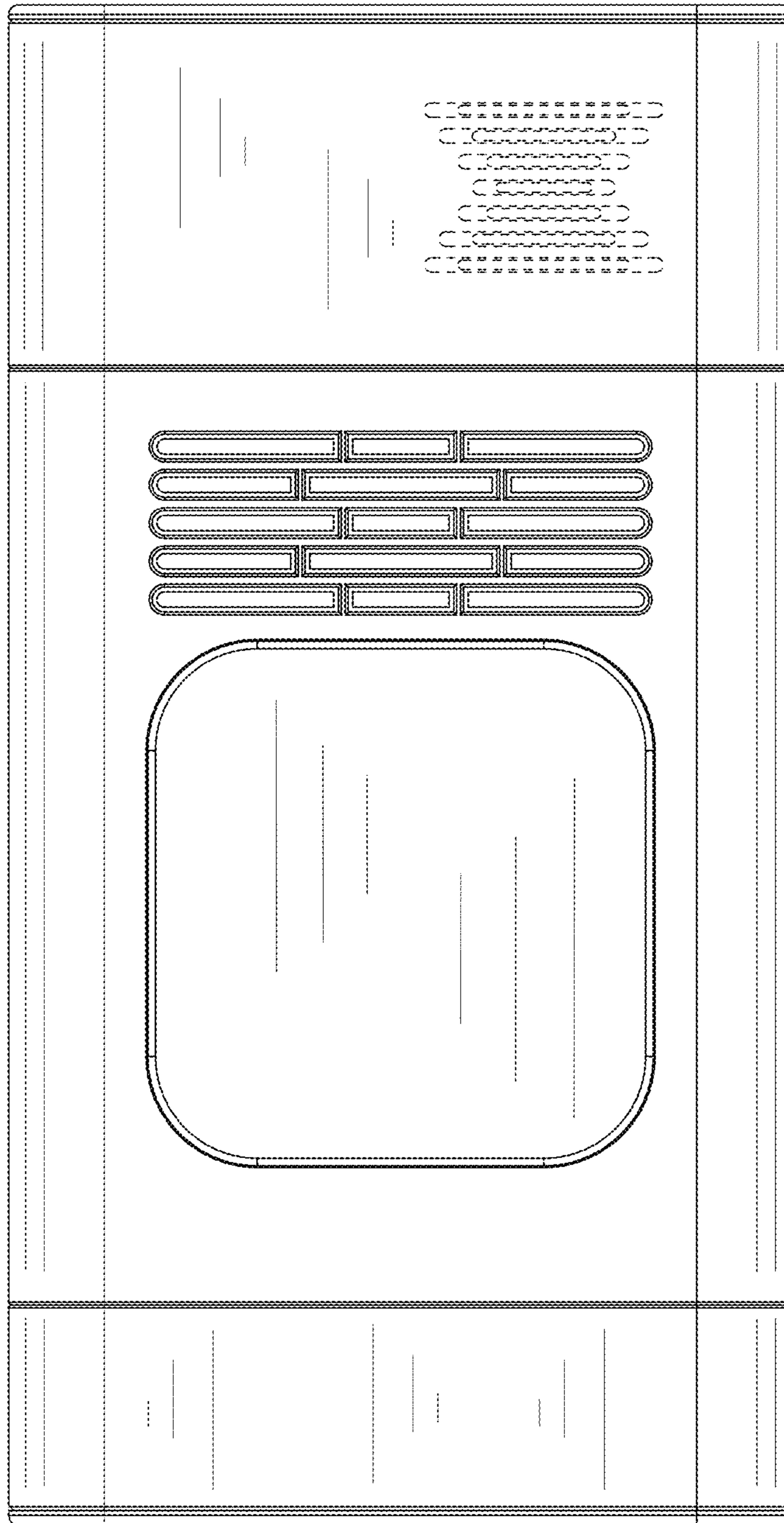


FIG. 4

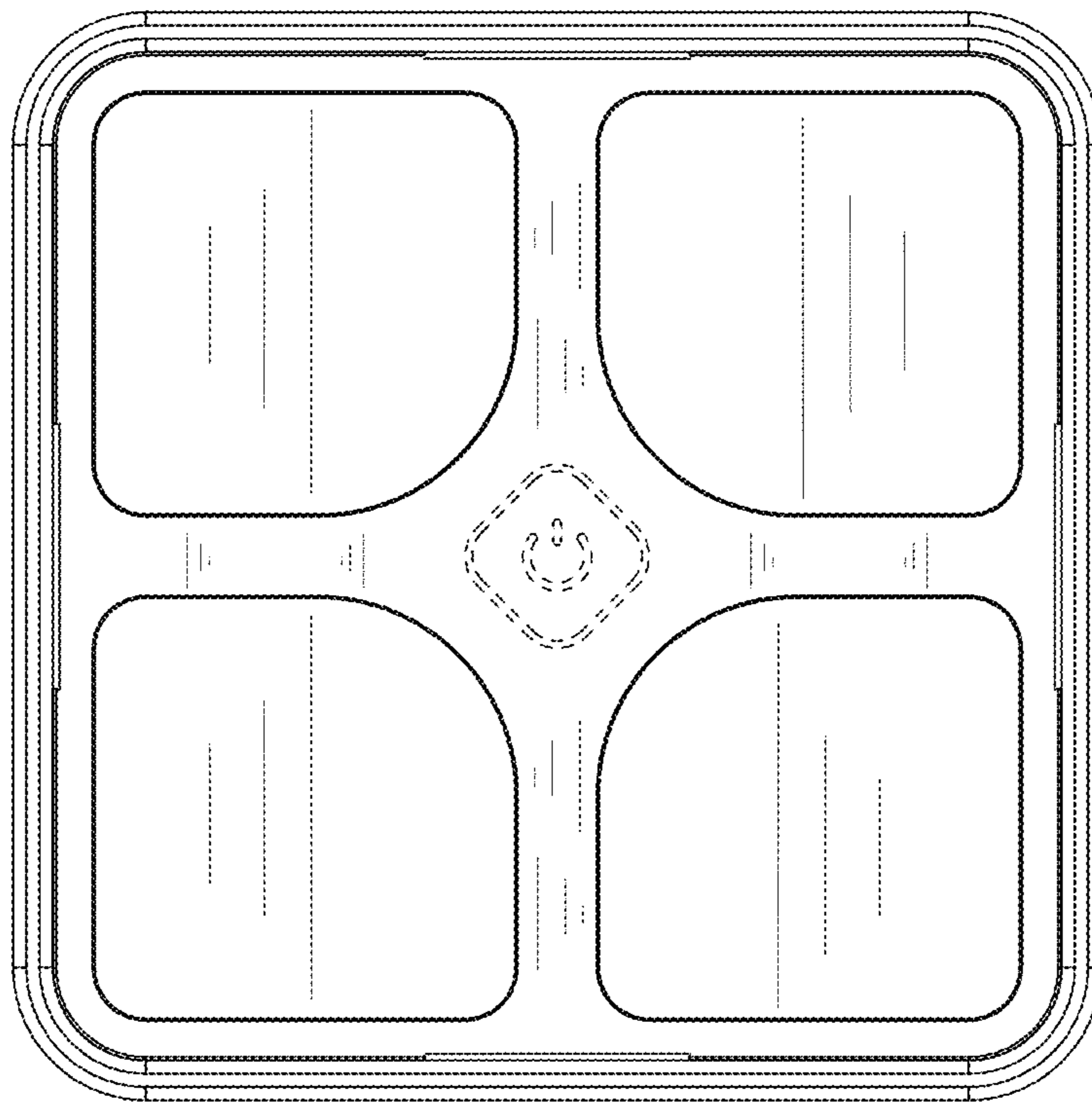


FIG. 5

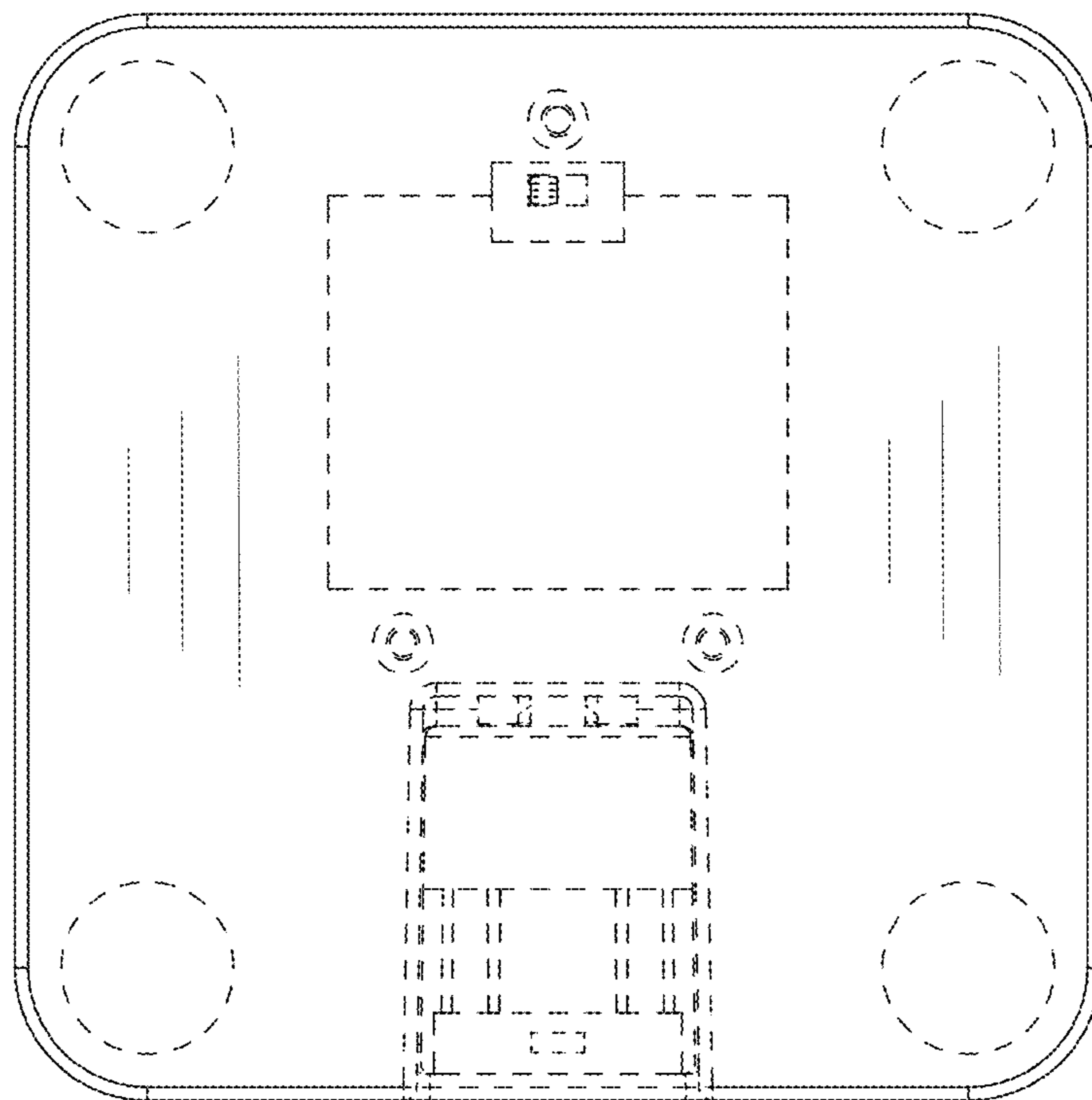


FIG. 6

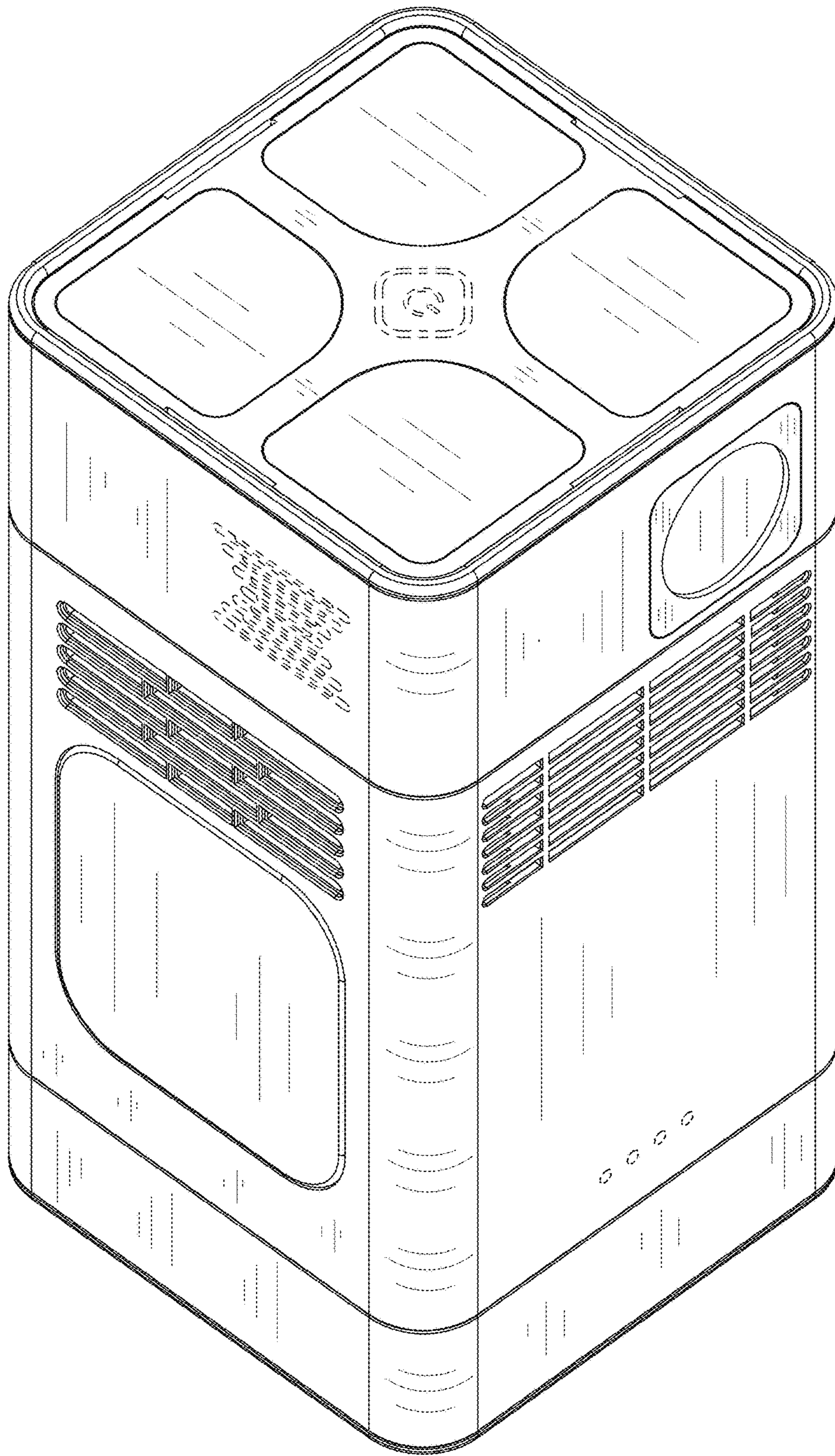


FIG. 7



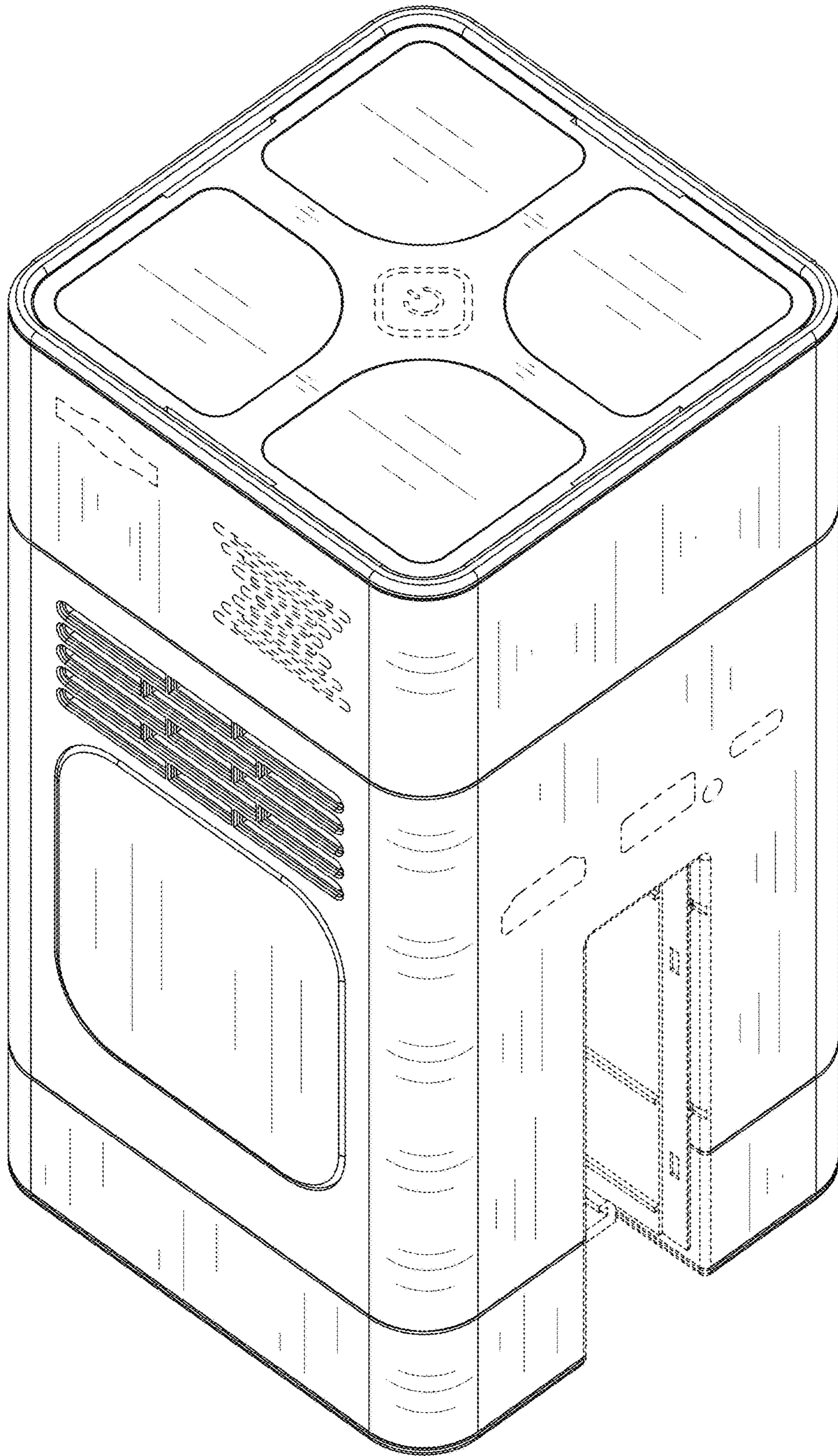


FIG. 8