



US00D845373S

(12) **United States Design Patent** (10) **Patent No.:** **US D845,373 S**
Mittleman et al. (45) **Date of Patent:** **** Apr. 9, 2019**

(54) **CASING**

5/225; H04N 7/18; H04N 7/173; H04N 13/02

(71) Applicant: **GOOGLE LLC**, Mountain View, CA (US)

See application file for complete search history.

(72) Inventors: **Adam Duckworth Mittleman**, Redwood City, CA (US); **Jason Evans Goulden**, Los Gatos, CA (US); **Nicholas Webb**, Menlo Park, CA (US); **Gregory Daniel Louis Germe**, Oakland, CA (US); **William Raeming Dong**, Palo Alto, CA (US); **Rochus Jacob**, San Francisco, CA (US); **Poll Shih**, New Taipei (TW)

(56) **References Cited**

U.S. PATENT DOCUMENTS

(73) Assignee: **GOOGLE LLC**, Mountain View, CA (US)

(**) Term: **15 Years**

(21) Appl. No.: **29/570,401**

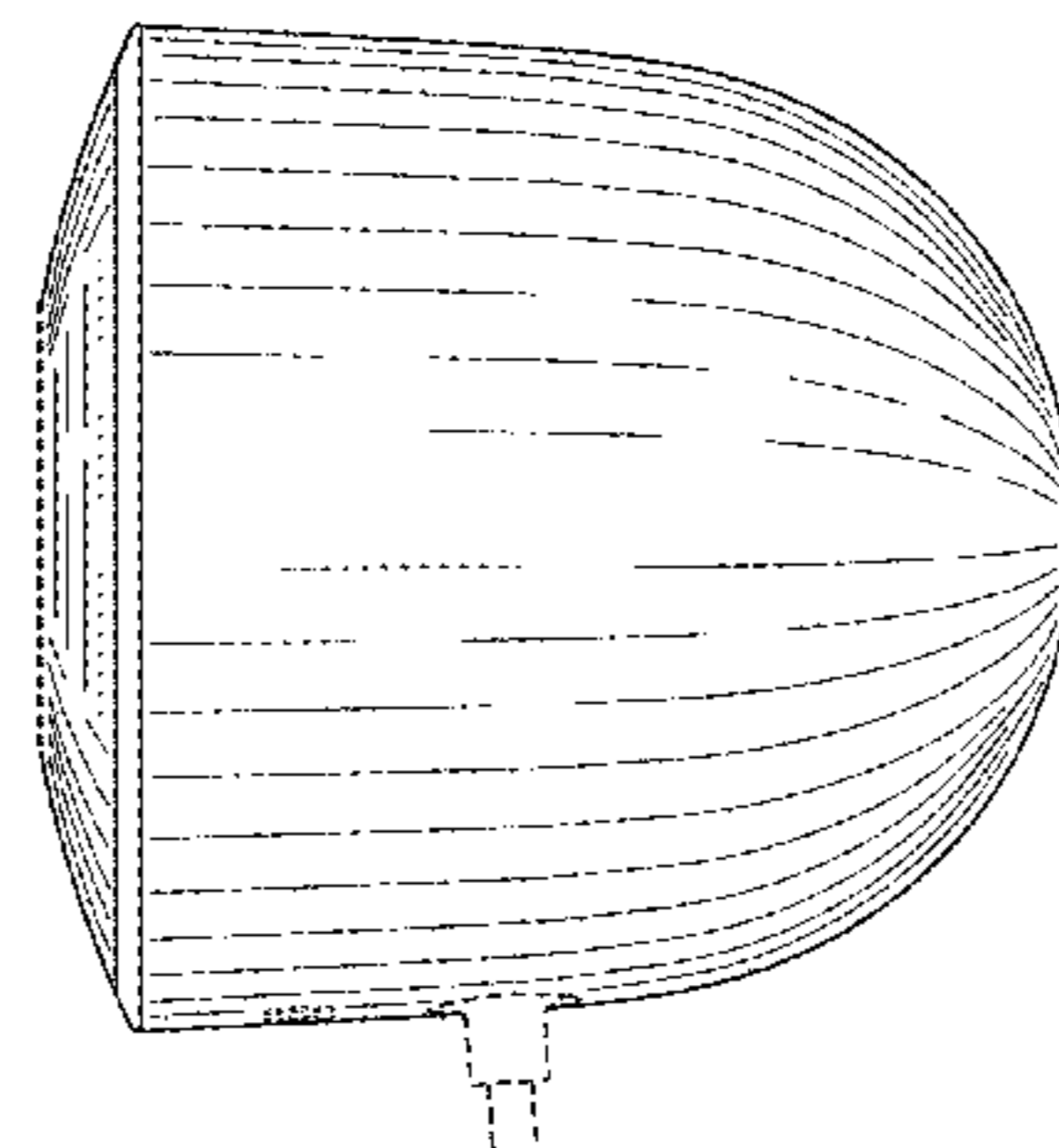
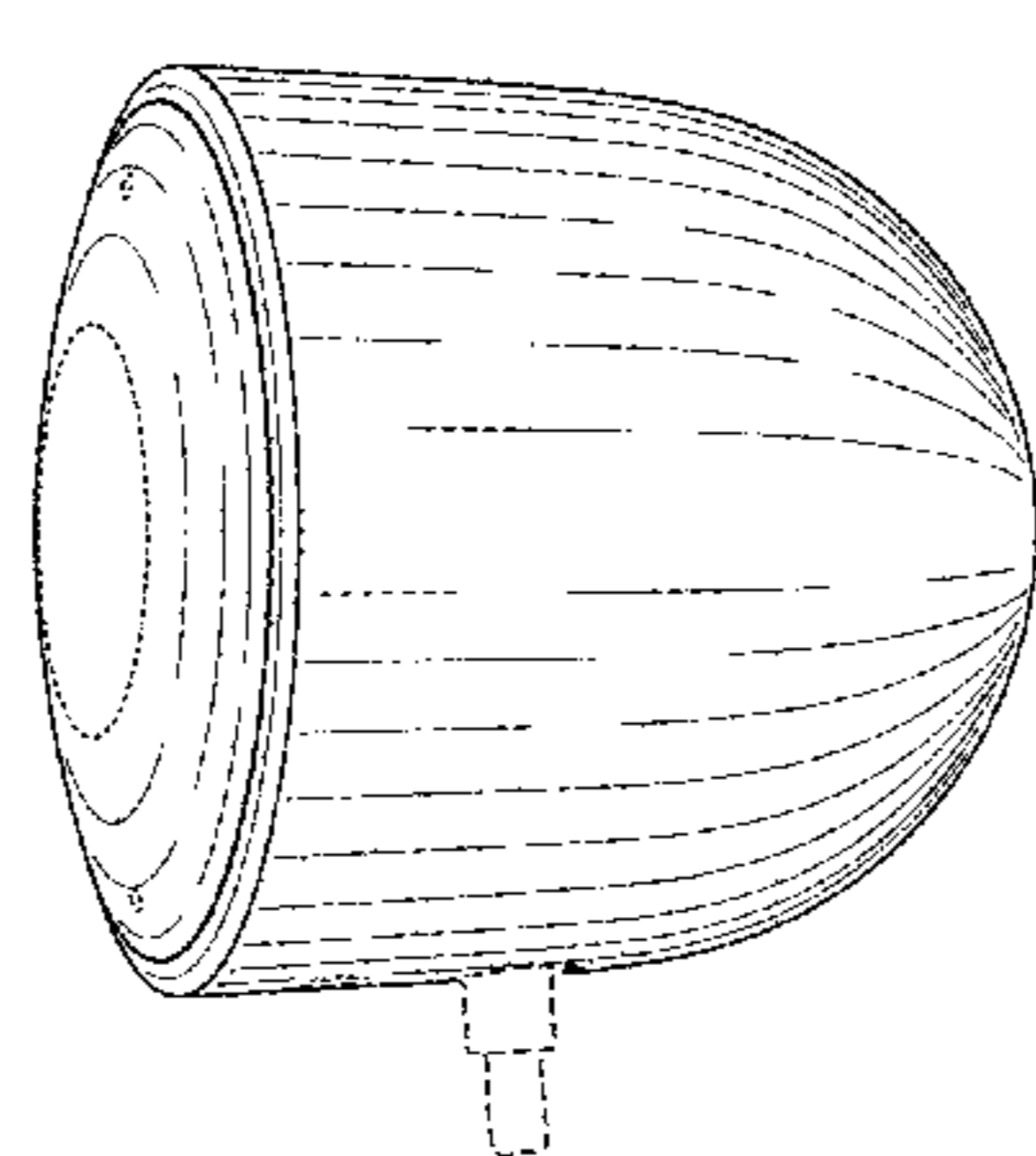
(22) Filed: **Jul. 7, 2016**

(51) **LOC (11) Cl.** **16-01**

(52) **U.S. Cl.**
USPC **D16/203; D16/202**

(58) **Field of Classification Search**
 USPC D16/200–220, 239, 242, 243, 244, 245; D3/267, 265; D26/140, 26, 138, 142, 60, D26/61, 62, 63, 106, 107, 128, 131; D12/187; D14/204, 195, 181, 183, 215, D14/209, 210, 224
 CPC .. A61B 5/00; A61B 17/34; B60R 1/00; B60R 11/04; B64D 47/08; F16M 11/12; G03B 5/00; G03B 7/26; G03B 11/04; G03B 15/00; G03B 17/56; G03B 17/00; G03B 17/55; G03B 17/02; G08B 15/00; G11B 5/60; G06K 9/00; H04N 5/232; H04N

1,934,911 A	11/1933	Campbell	
D234,218 S *	1/1975	Donato	D26/65
3,906,592 A	9/1975	Sakasegawa et al.	
4,309,096 A	1/1982	Sethi	
D268,672 S	4/1983	McPherson	
4,439,643 A	3/1984	Schweizer	
D296,013 S *	5/1988	Layne	D26/61
5,039,366 A	8/1991	Strattman	
D349,714 S *	8/1994	Hasegawa	D16/203
D353,904 S *	12/1994	Swanson	D26/102
5,439,387 A	8/1995	Hayashi	
5,441,224 A	8/1995	Ludwig	
5,482,234 A	1/1996	Lyon	
D390,482 S	2/1998	Pasquarette	
D399,584 S *	10/1998	Giese	D26/63
6,007,136 A	12/1999	Zittwitz et al.	
D427,696 S *	7/2000	Scott	D26/24
D431,307 S *	9/2000	Zelina, Jr.	D26/24
D433,994 S	11/2000	Jobs et al.	
6,176,142 B1	1/2001	Ericson	
6,196,915 B1	3/2001	Schiedegger et al.	
D440,330 S *	4/2001	Scott	D26/28
6,234,277 B1	5/2001	Kaczmarek	
6,644,617 B2	11/2003	Pitlor	
D488,800 S *	4/2004	Wiener	D14/207
6,732,983 B1	5/2004	Blake et al.	
D506,565 S *	6/2005	Yurich	D26/85
D509,842 S *	9/2005	Ou	D16/202
D528,576 S *	9/2006	Chung	D16/202
7,162,790 B1	1/2007	Daniels	
D537,784 S	3/2007	Suckle et al.	
D541,228 S *	4/2007	Thursfield	D13/168
D553,659 S *	10/2007	Kweon	D16/203
D554,171 S *	10/2007	Deng	D16/203
D566,698 S *	4/2008	Choi	D14/240
D592,650 S *	5/2009	Tsang	D14/242
D593,071 S	5/2009	Laituri et al.	
7,551,225 B2	6/2009	Overstreet	
7,641,161 B2	1/2010	Bauer	
D623,594 S	9/2010	Akana et al.	
D632,265 S *	2/2011	Choi	D13/168
D640,721 S *	6/2011	Satine	D16/202
D644,259 S *	8/2011	Barley	D16/203
D651,900 S *	1/2012	Ashiwa	D9/504
D659,282 S *	5/2012	Richmond	D26/138



D659,497 S 5/2012 Blazevic
D660,711 S * 5/2012 Watabe D9/529
D662,122 S * 6/2012 Goodwin D16/208
D670,426 S * 11/2012 Bouroullec D26/118
D689,846 S * 9/2013 Nysten D14/216
D691,587 S 10/2013 Ferber et al.
D697,481 S 1/2014 Akana et al.
D700,075 S * 2/2014 Bould D10/49
D708,378 S * 7/2014 Recker D26/61
D720,755 S 1/2015 Nokuo
D729,773 S 5/2015 Salojarvi et al.
D729,923 S * 5/2015 Chou D23/366
9,024,581 B2 5/2015 McGinley
D732,033 S * 6/2015 Sakaguchi D14/388
D733,859 S * 7/2015 Hsiao D23/366
D737,762 S 9/2015 Aumiller et al.
D742,573 S * 11/2015 Kern D26/107
D742,884 S 11/2015 Seflic et al.
D743,468 S * 11/2015 Ribeiro D16/214
D743,954 S 11/2015 Chuang et al.
9,190,767 B2 11/2015 Makimura
D747,524 S * 1/2016 Jacq D26/63
D750,980 S 3/2016 Takach et al.
9,300,078 B2 3/2016 Liu
D754,233 S * 4/2016 Du D16/211
D755,184 S 5/2016 Uranga et al.
D757,587 S * 5/2016 Li D10/106.6
9,353,487 B1 5/2016 Szekeley
D761,343 S * 7/2016 Schmidt D16/202
9,388,934 B1 7/2016 Kilgore et al.
D764,320 S * 8/2016 Li D10/50
9,437,962 B2 9/2016 Liu
9,451,727 B2 9/2016 Tolbert et al.
D768,604 S 10/2016 Flowers et al.
D769,246 S 10/2016 Mielnik et al.
D771,800 S * 11/2016 Engelhard D24/110
D772,391 S * 11/2016 Zimmerli D23/366
D775,233 S * 12/2016 Beck D14/203.6
9,515,414 B1 12/2016 Liu
D776,659 S 1/2017 Hou
D776,850 S * 1/2017 Hodgson D26/62
D777,672 S 1/2017 Park et al.
9,556,641 B2 1/2017 Milanowski
D778,878 S * 2/2017 de Vaal D14/218
D778,973 S * 2/2017 Lee D16/202
D783,609 S * 4/2017 Mikelson D14/356
D784,263 S 4/2017 Xu
D785,632 S 5/2017 VanDuyn et al.
D785,693 S * 5/2017 Kim D16/202
D786,875 S 5/2017 Kaminaga
D788,112 S 5/2017 Liao
D788,708 S 6/2017 Vo et al.
D788,777 S 6/2017 Bargetzi
D789,371 S 6/2017 Iwamoto et al.
D790,620 S * 6/2017 Lee D16/202
D791,740 S 7/2017 Fuller
D792,468 S * 7/2017 Langhammer D14/203.3
D794,028 S 8/2017 Lin
D795,941 S * 8/2017 Dimitriadis D16/203
D796,513 S 9/2017 Feldstein et al.
D797,087 S * 9/2017 Burton D14/242
9,771,985 B2 9/2017 Peterson et al.
D800,886 S * 10/2017 Lin D23/366
D802,760 S 11/2017 Neby
D806,644 S 1/2018 Mittleman et al.
D808,392 S 1/2018 Bo
D809,043 S * 1/2018 Kamei D16/200
9,882,305 B1 1/2018 Goulden et al.
D810,086 S 2/2018 Xie
D810,087 S 2/2018 Xie
D810,169 S * 2/2018 Bhattacharya D16/203
D811,463 S * 2/2018 Kim D16/203
D813,289 S * 3/2018 Laffon de Mazieres D16/202
D814,544 S * 4/2018 Moon D16/203
D815,531 S * 4/2018 Wahl D9/504
D819,109 S 5/2018 Yamauchi et al.
D819,113 S 5/2018 Li et al.
D820,238 S * 6/2018 Boshermitzan D14/218
D821,477 S 6/2018 Moon et al.

D822,716 S * 7/2018 Mangum D14/496
D827,011 S * 8/2018 Kip D16/202
D828,425 S * 9/2018 Piekarski D16/202
D830,622 S * 10/2018 Galekop D26/118
D831,089 S * 10/2018 Laffon de Mazieres D16/202
D831,565 S * 10/2018 Mittleman D13/101
D831,595 S * 10/2018 Mittleman D13/183
D832,907 S * 11/2018 Jeong D16/203
2004/0251392 A1 12/2004 Franks, Jr.
2007/0184708 A1 8/2007 Murakami
2008/0048079 A1 2/2008 Albritton et al.
2008/0218092 A1 9/2008 Chang et al.
2009/0061694 A1 3/2009 Kawasaki
2009/0088010 A1 4/2009 Smith
2009/0196593 A1 8/2009 Cheng
2009/0196597 A1 8/2009 Messinger et al.
2010/0124834 A1 5/2010 De Chazal et al.
2011/0053394 A1 3/2011 Hood, III
2011/0181002 A1 7/2011 Fujita et al.
2012/0162929 A1 6/2012 Huang
2013/0023161 A9 1/2013 Youssefi-Shams et al.
2013/0130530 A1 5/2013 Casses et al.
2013/0203277 A1 8/2013 Gaubert
2013/0292477 A1 11/2013 Hennick et al.
2013/0302023 A1 11/2013 Chamberlayne
2014/0073161 A1 3/2014 Winningham et al.
2014/0099811 A1 4/2014 Chiu
2014/0268578 A1 9/2014 Dolci et al.
2015/0100335 A1 * 4/2015 Englehard G06F 19/3462
705/2
2015/0251605 A1 9/2015 Uken et al.
2015/0281650 A1 10/2015 Mohan
2015/0316837 A1 11/2015 Maltese
2016/0153633 A1 6/2016 Shibata et al.
2016/0182116 A1 6/2016 Mase

FOREIGN PATENT DOCUMENTS

CN	303729172	*	6/2016
EP	003361435-0001	*	9/2016
KR	300903865.0000	*	4/2017
KR	300905205.0000	*	5/2017

OTHER PUBLICATIONS

DropCapsule Pro for Dropcam Pro, announced Jun. 7, 2015 [online], [site visited Sep. 29, 2017], Available from Internet, URL: <<https://web.archive.org/web/20150607115212/http://www.connectedcrib.com/dropcapsule-pro-dropcam-pro/>>.*
DIY Project Dropcam Pro outdoor enclosure, announced Oct. 20, 2014 [online], [site visited Sep. 29, 2017], Available from Internet, URL: <https://the-gadgeteer.com/2014/10/20/diy-project-dropcam-pro-outdoor-enclosure/>.*
Google, EU Design Registration, 003303460-0001/0002, Oct. 14, 2016, 14 pgs.
Google, EU Design Registration, 003302330-0001/0002, Oct. 14, 2016, 16 pgs.
Google, EU Design Registration, 003304310-0001/0008, Oct. 20, 2016, 37 pgs.
Google, Office Action, CN 201630316676.1, Nov. 25, 2016, 2 pgs.
Google, Office Action, CN 201630316605.1, Nov. 24, 2016, 1 pg.
Dropcam Pro, posted at Youtube.com, posted on Oct. 10, 2013, [online], [site visited Jun. 16, 2017]. Available from Internet, <<https://www.youtube.com/watch?v=NokAzHXsCQQ>> 1 pg.
Nest Cam Indoor security camera, posted at Amazon.com, posted on Jun. 17, 2015, [online], [site visited Jun. 16, 2017]. Available from Internet, <https://www.amazon.com/Nest-Cam-Indoor-security-camera/dp/BOOWBJGUA2> 1 pg.
Simplicam review, posted at Connectedly.com, posted on Nov. 26, 2014, [online], [site visited Jun. 16, 2017]. Available from Internet, <<https://www.connectedly.com/simplicam-review>> 1 pg.
Review of the googo camera HD, posted at Youtube.com, posted on Jun. 9, 2013, [online], [site visited Jun. 16, 2017]. Available from Internet, <<https://www.youtube.com/watch?v=R1c8Q6oDI9k>> 1 pg.

Nest Learning Thermostat posted by Detriot Borg posted date Feb. 10, 2012, © YouTube, [online], [site visited Sep. 18, 2017]. Available from Internet, <https://www.youtube.com/watch?v=KrgcOL4oLzc>.

Nest Learning Review posted by Lindsay Turrentine posted date Apr. 23, 2013, © CNET, [online], [site visited Sep. 18, 2017]. Available from Internet, <https://www.cnet.com/products/nest-learning-thermostat/review/>.

HMW posted by Heres My World posted date Oct. 28, 2016, © Amazon, [online], [site visited Sep. 18, 2017]. Available from Internet, https://www.amazon.com/Pyramid-Bluetooth-Rechargeable-Hands-Free-Speakerphone/dp/B01JJ5KT3E/ref=sr_1_19?ie=UTF8&4d=1505758713&sr=8-19&keywords=bluetooth%02Bpuck&th=1.

Google, Letters Patent Design Registration, JP 1588675, Sep. 29, 2017, 3 pgs.

* cited by examiner

Primary Examiner — Barbara Fox

Assistant Examiner — Mary C Ramirez

(74) *Attorney, Agent, or Firm* — Morgan, Lewis & Bockius LLP

(57)

CLAIM

A casing, as shown and described.

DESCRIPTION

FIG. 1 is a front right perspective view of a casing showing our new design;

FIG. 2 is a rear, left perspective view thereof;

FIG. 3 is a side view thereof;

FIG. 4 is a front view thereof;

FIG. 5 is a back view thereof;

FIG. 6 is a top view thereof; and,

FIG. 7 is a bottom view thereof.

The broken lines showing a cord depict environment and form no part of the claimed design. The remaining broken lines shown in the drawings depict portions of the casing that form no part of the claimed design.

1 Claim, 7 Drawing Sheets

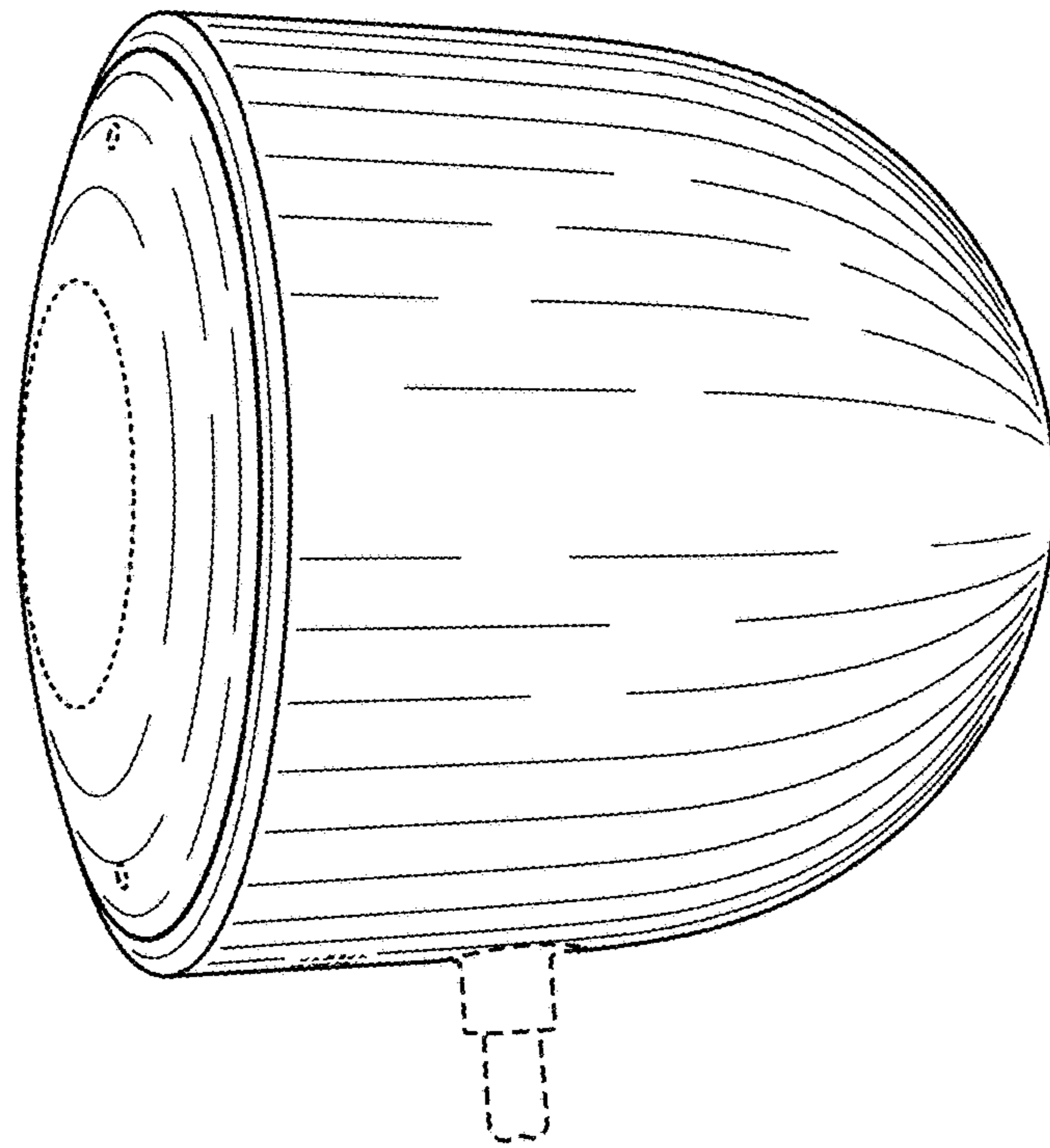


FIG. 1

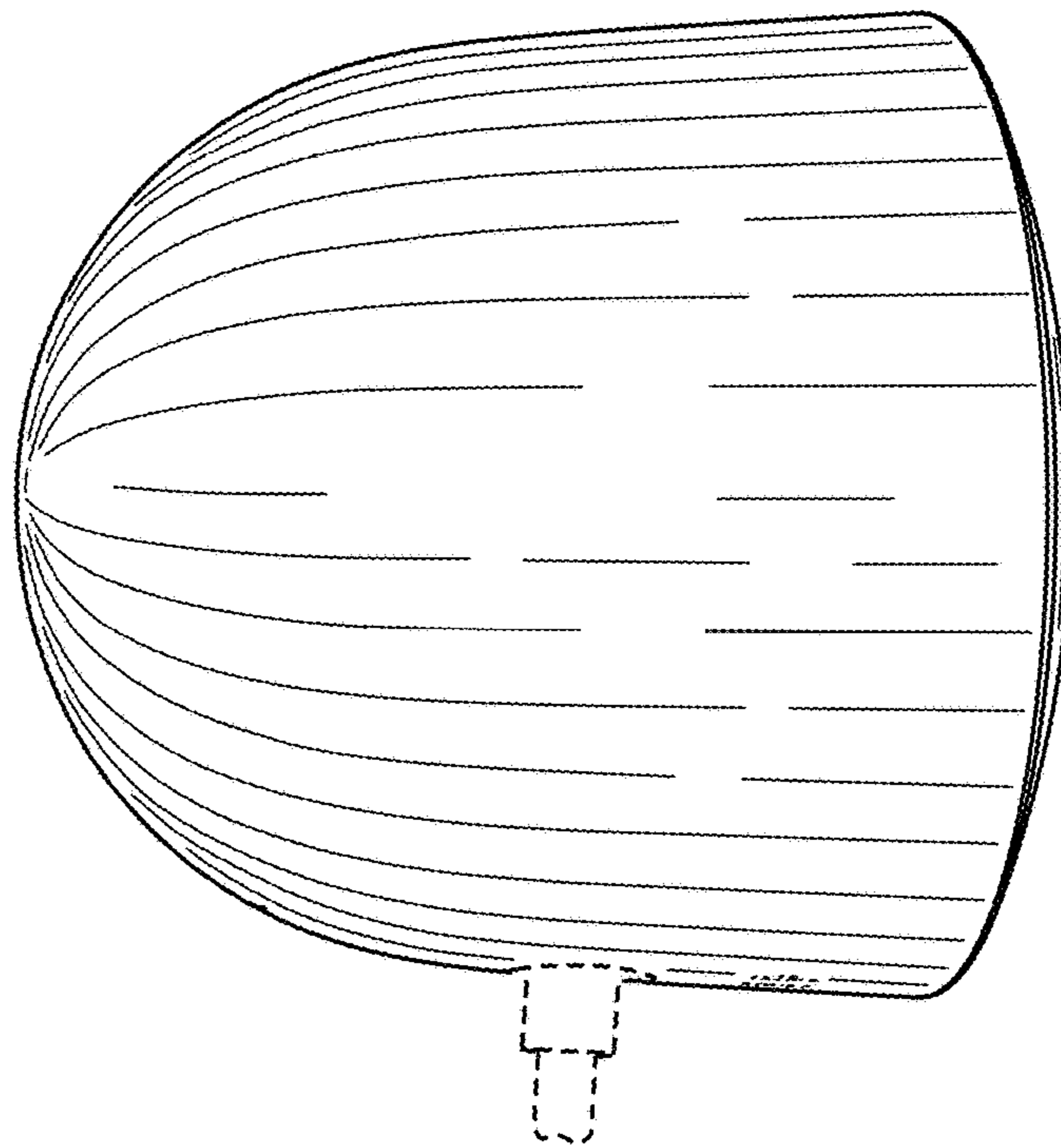


FIG. 2

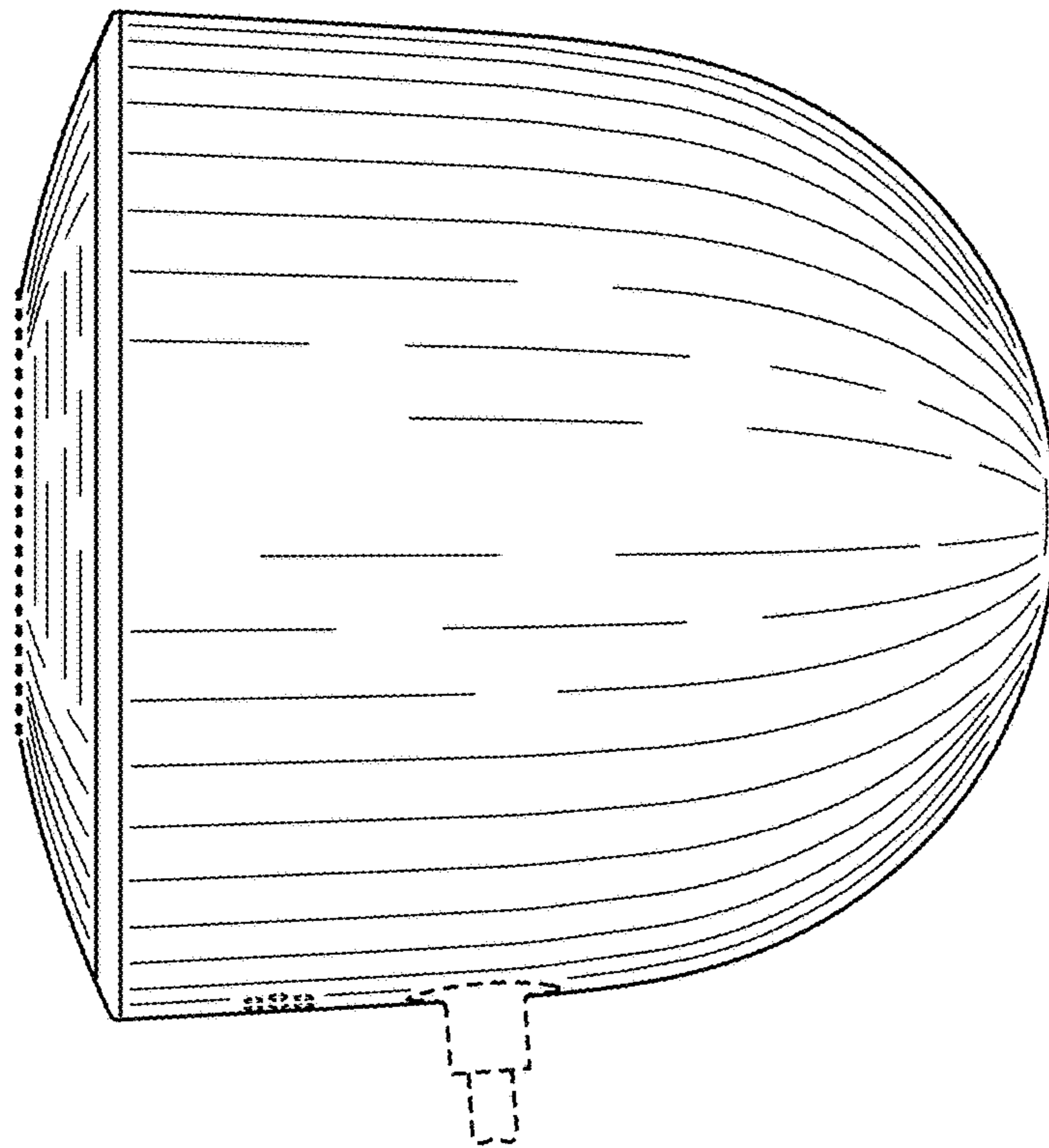


FIG. 3

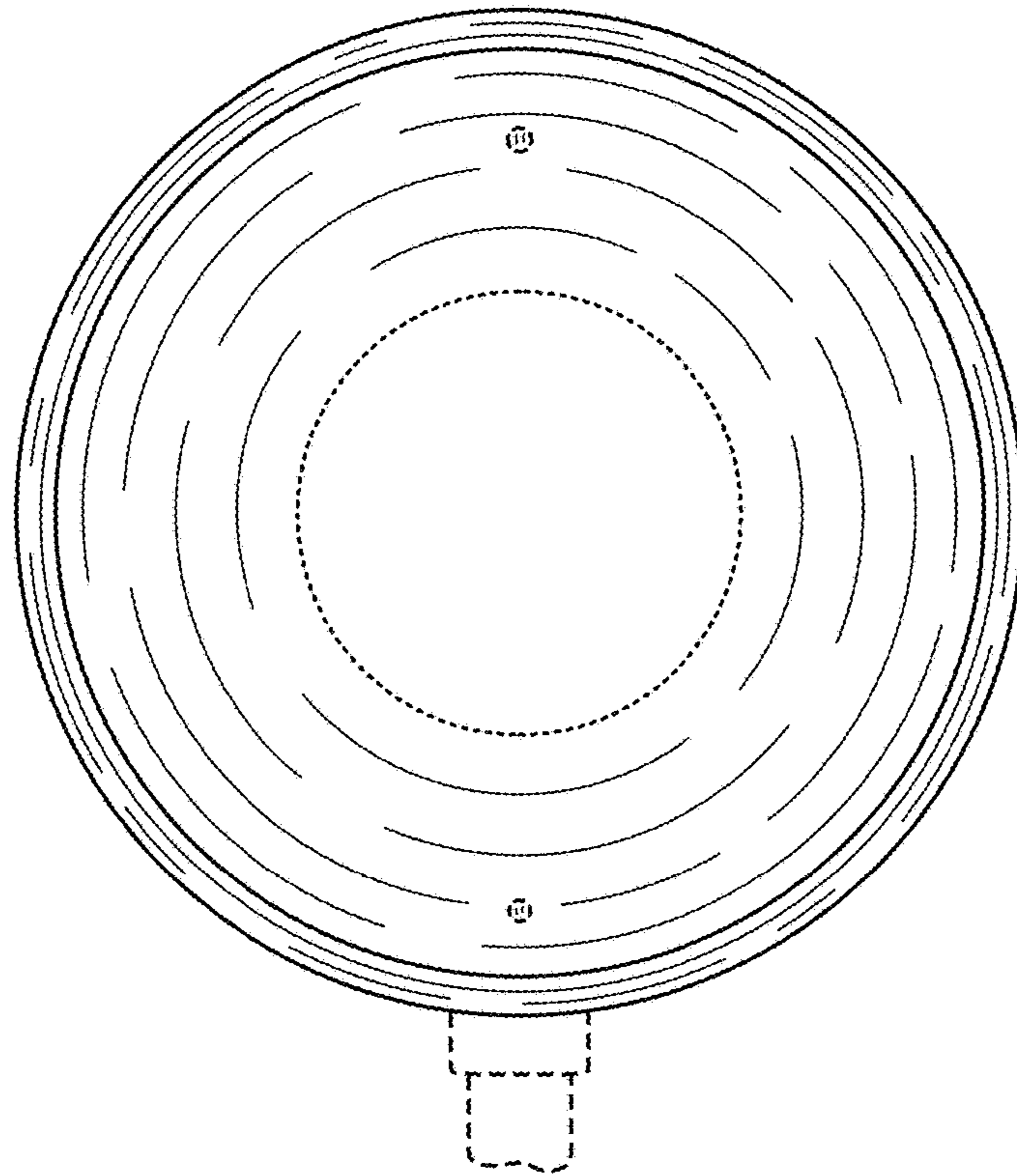


FIG. 4

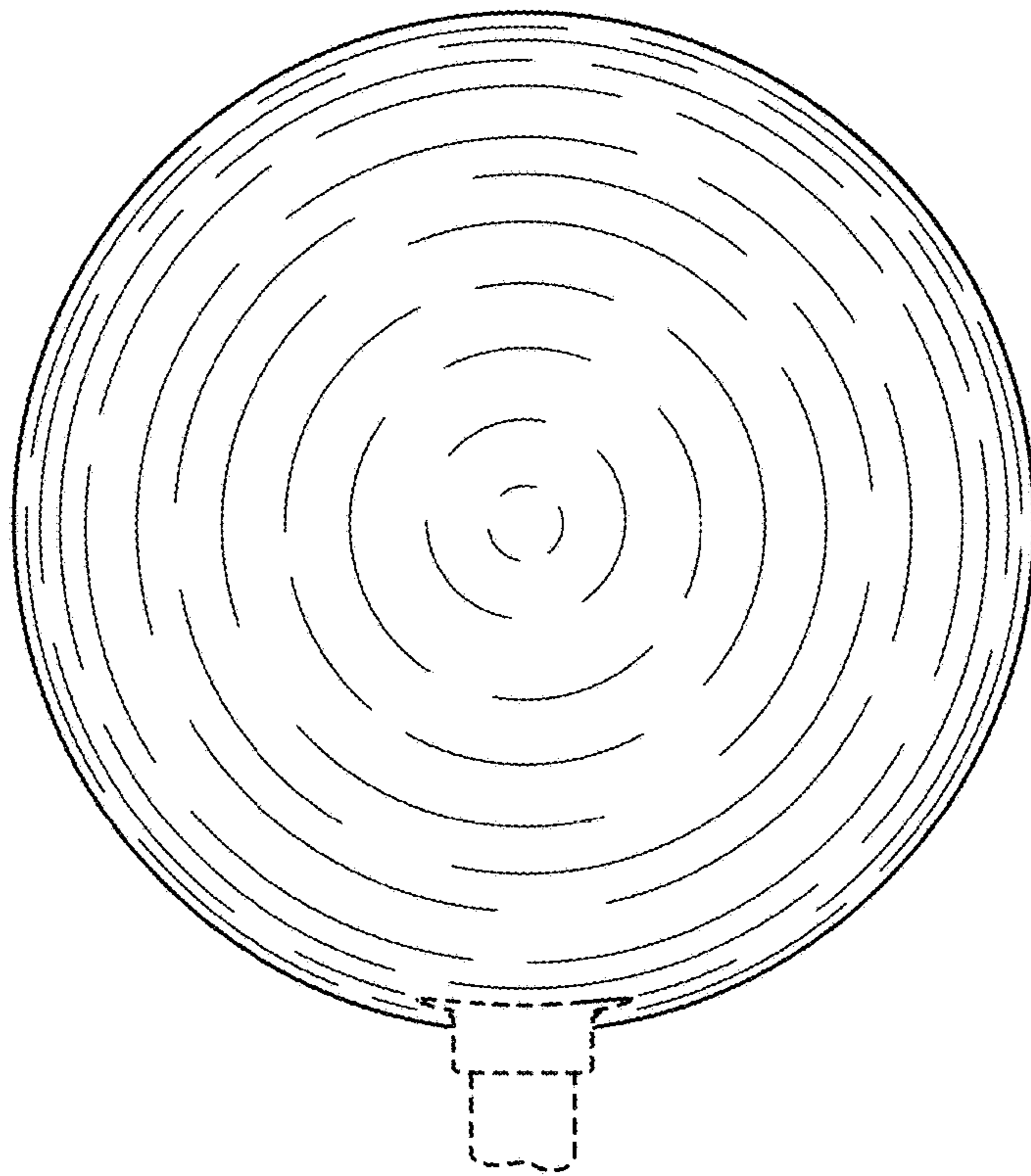


FIG. 5

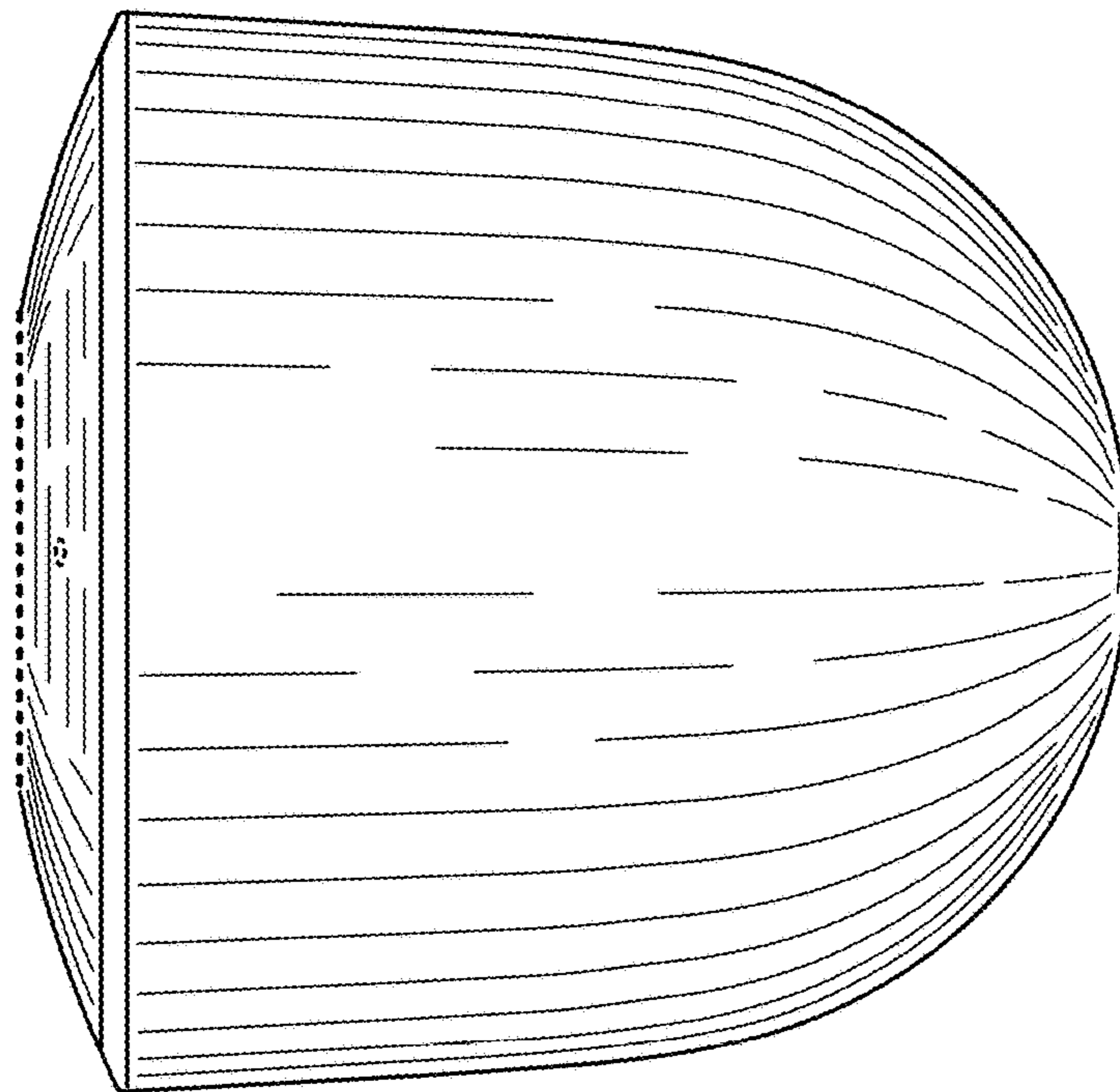


FIG. 6

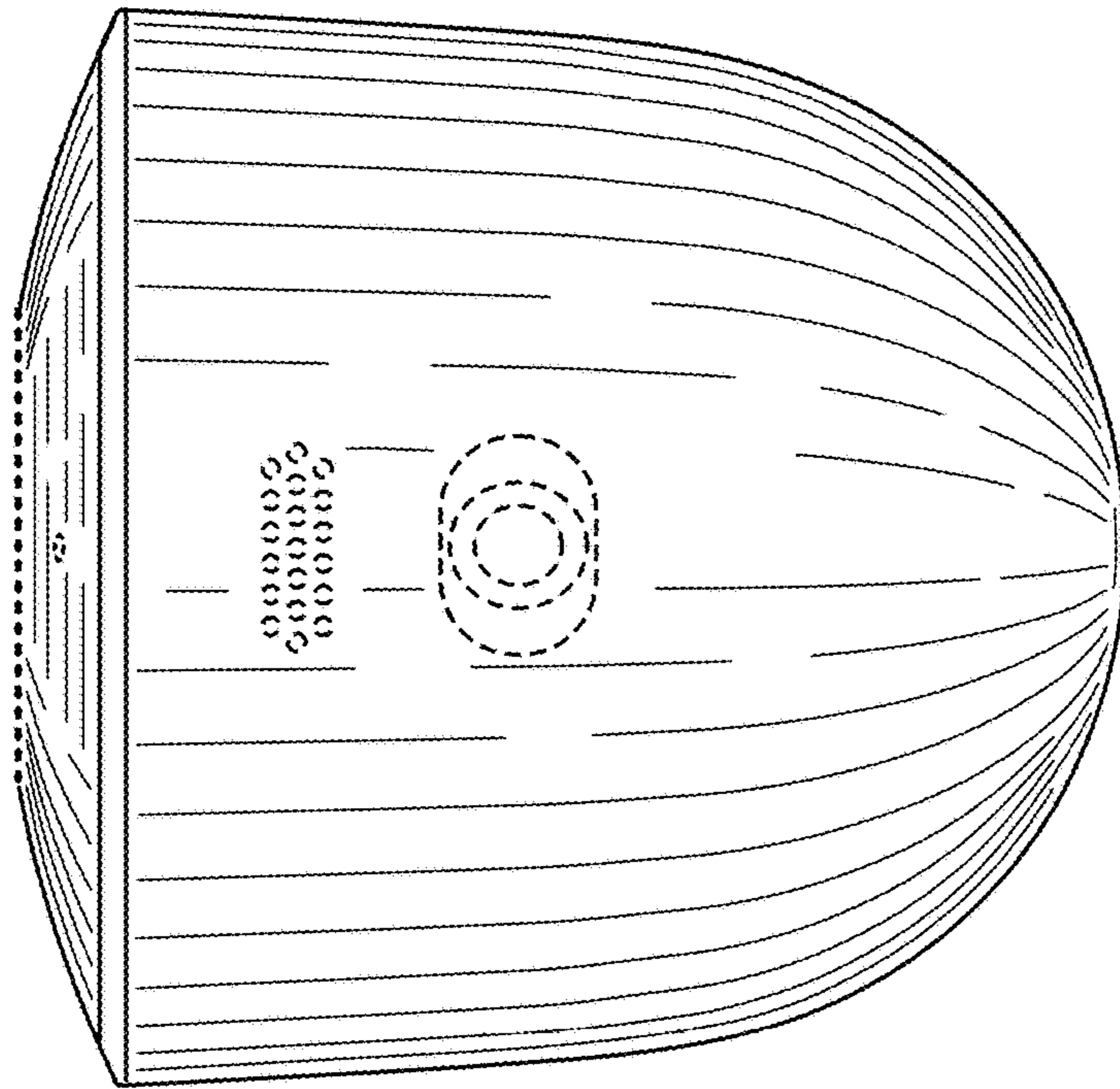


FIG. 7