



US00D845372S

(12) **United States Design Patent**
Pentzer et al.

(10) **Patent No.:** **US D845,372 S**

(45) **Date of Patent:** **** Apr. 9, 2019**

(54) **GRIPPING TOOL**

(71) Applicant: **JLS Automation**, York, PA (US)

(72) Inventors: **Jon Pentzer**, Hampstead, MD (US);
Craig Hafner, Lutherville, MD (US)

(73) Assignee: **JLS Automation**, York, PA (US)

(**) Term: **15 Years**

(21) Appl. No.: **29/612,012**

(22) Filed: **Jul. 27, 2017**

(51) **LOC (11) Cl.** **15-99**

(52) **U.S. Cl.**
USPC **D15/199**

(58) **Field of Classification Search**
USPC D15/199; D21/369, 578-583, 621, 622
CPC B25J 11/0045; B25J 15/08; B25J 15/12;
B25J 15/024; B65G 47/90; B65G
2201/0202

See application file for complete search history.

(56) **References Cited**

U.S. PATENT DOCUMENTS

4,586,869	A *	5/1986	Nihei	B25J 15/10 294/86.4
5,026,104	A *	6/1991	Pickrell	B65F 3/046 294/106
5,120,101	A *	6/1992	Vranish	B25J 15/0028 294/119.1
5,582,397	A *	12/1996	Lanvin	B23Q 3/103 269/152
5,825,980	A *	10/1998	Danmoto	B25J 9/1612 700/245
8,287,015	B2	10/2012	Hawes		
D678,377	S *	3/2013	Umeno	D15/199
8,474,893	B2 *	7/2013	Kawanami	B25J 15/0213 294/106
9,333,655	B2	5/2016	Schanz et al.		

9,912,130	B1 *	3/2018	Burns	B25B 9/04
2004/0070225	A1 *	4/2004	Meinicke	B25J 15/00 294/86.4
2005/0046213	A1 *	3/2005	Geddo	B25J 15/10 294/95
2009/0039665	A1 *	2/2009	Bryant	B25J 15/0206 294/104
2009/0317221	A1 *	12/2009	Hawes	B25J 15/0028 414/618
2010/0072766	A1 *	3/2010	Wang	B25J 15/10 294/106
2013/0310980	A1 *	11/2013	Matsuoka	B25J 15/0023 700/260
2015/0375404	A1 *	12/2015	Matsuoka	B25J 15/0023 294/86.4

(Continued)

Primary Examiner — Patricia A Palasik

(74) *Attorney, Agent, or Firm* — Barley Snyder

(57) **CLAIM**

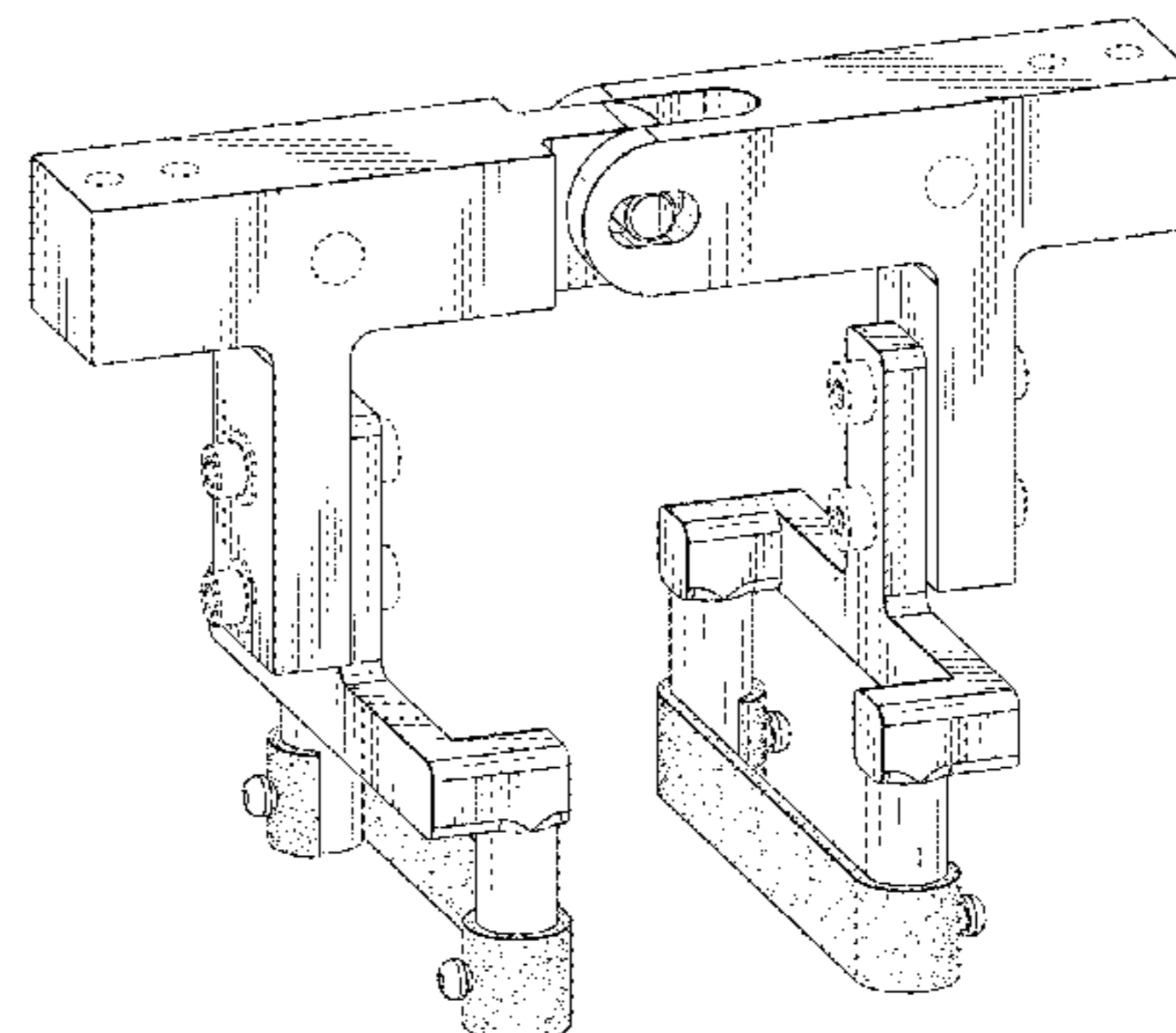
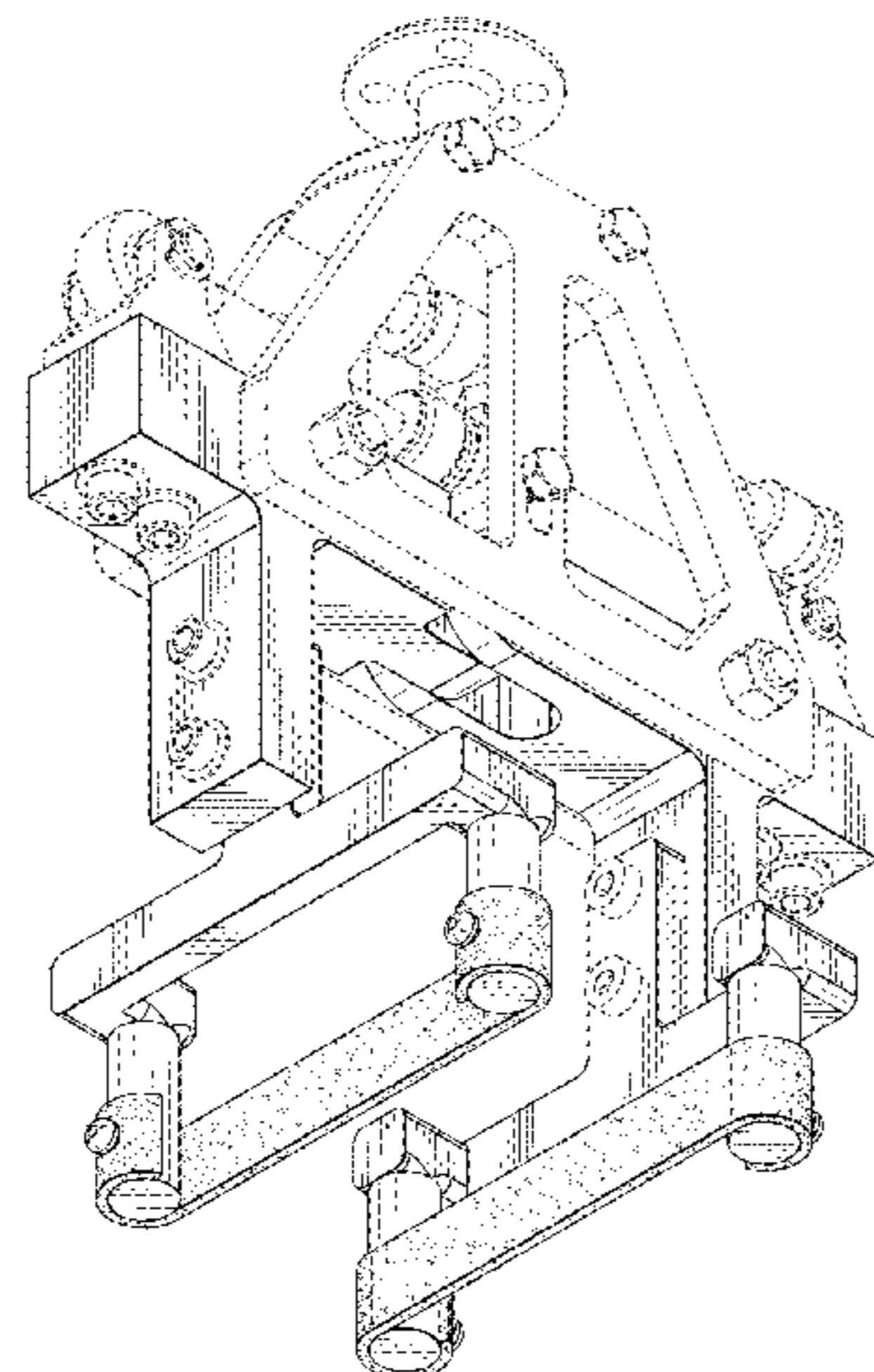
The ornamental design for a gripping tool, as shown and described.

DESCRIPTION

FIG. 1 is a bottom, front and right side perspective view of a gripping tool, showing the new design; FIG. 2 is enlarged bottom, front and right side perspective view of FIG. 1; FIG. 3 is a top, front and right side perspective view thereof; FIG. 4 is a front elevation view thereof; FIG. 5 is a rear elevation view thereof; FIG. 6 is a left side elevation view thereof; FIG. 7 is a right side elevation view thereof; FIG. 8 is a top plan view thereof; and, FIG. 9 is a bottom plan view thereof.

The dashed lines formed by short segments of equal length and equal spacing shown in the figures illustrate portions of the gripping tool that form no part of the claimed design.

1 Claim, 6 Drawing Sheets



(56)

References Cited

U.S. PATENT DOCUMENTS

2016/0375590 A1 12/2016 Lessing et al.
2017/0368694 A1* 12/2017 Saito B25J 13/02
2018/0318984 A1* 11/2018 Tarbell B25B 9/04

* cited by examiner

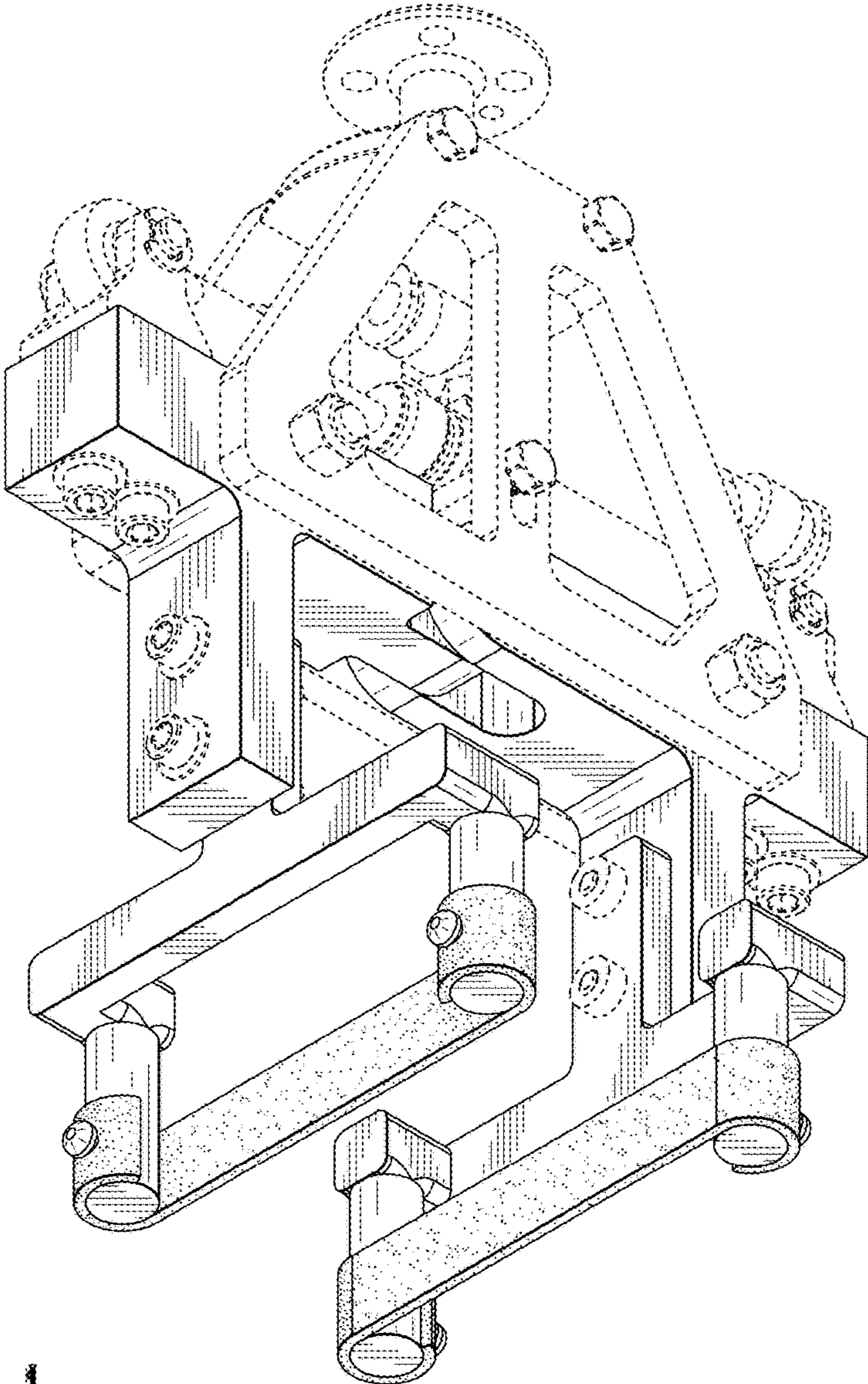


FIG. 1

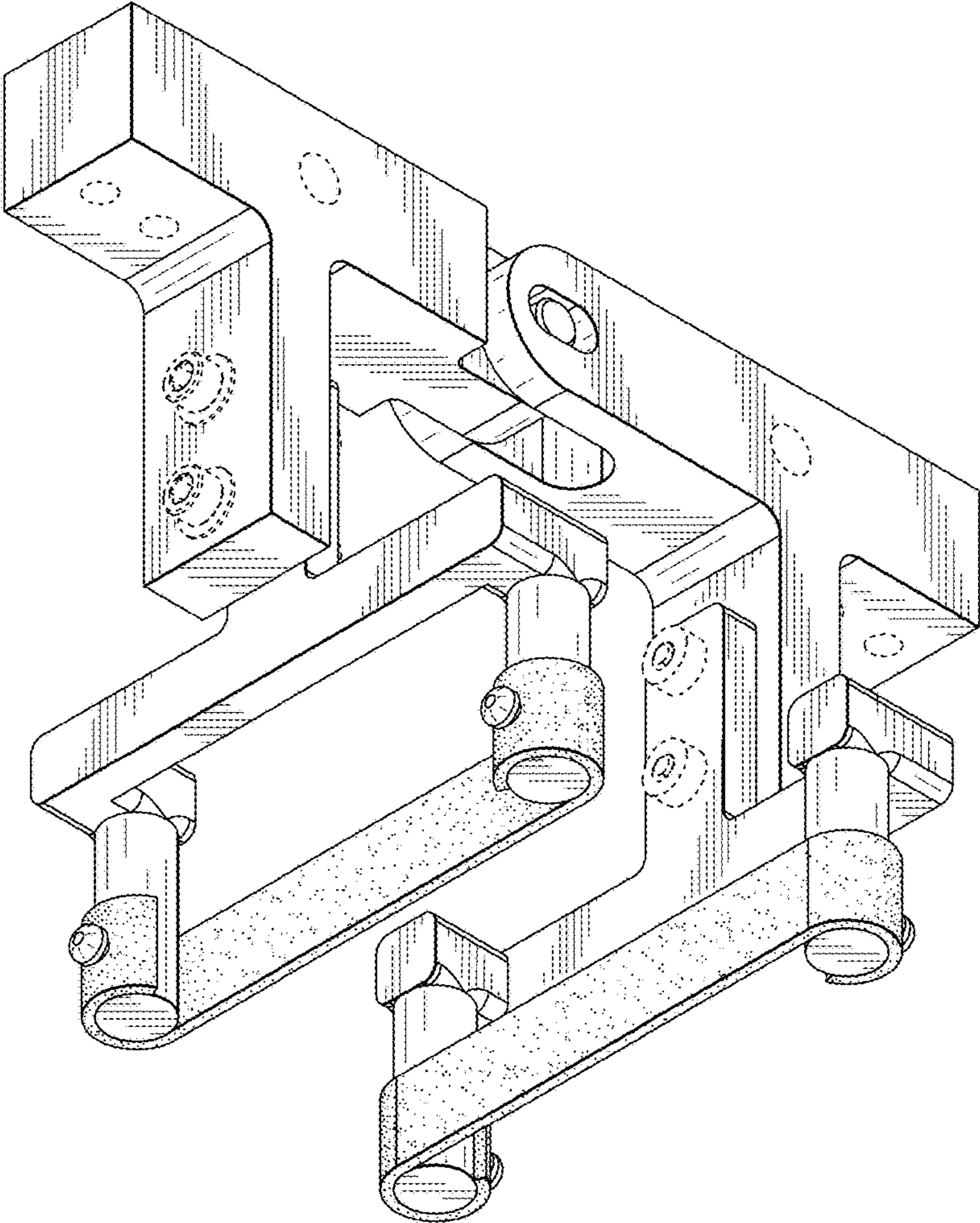


FIG. 2

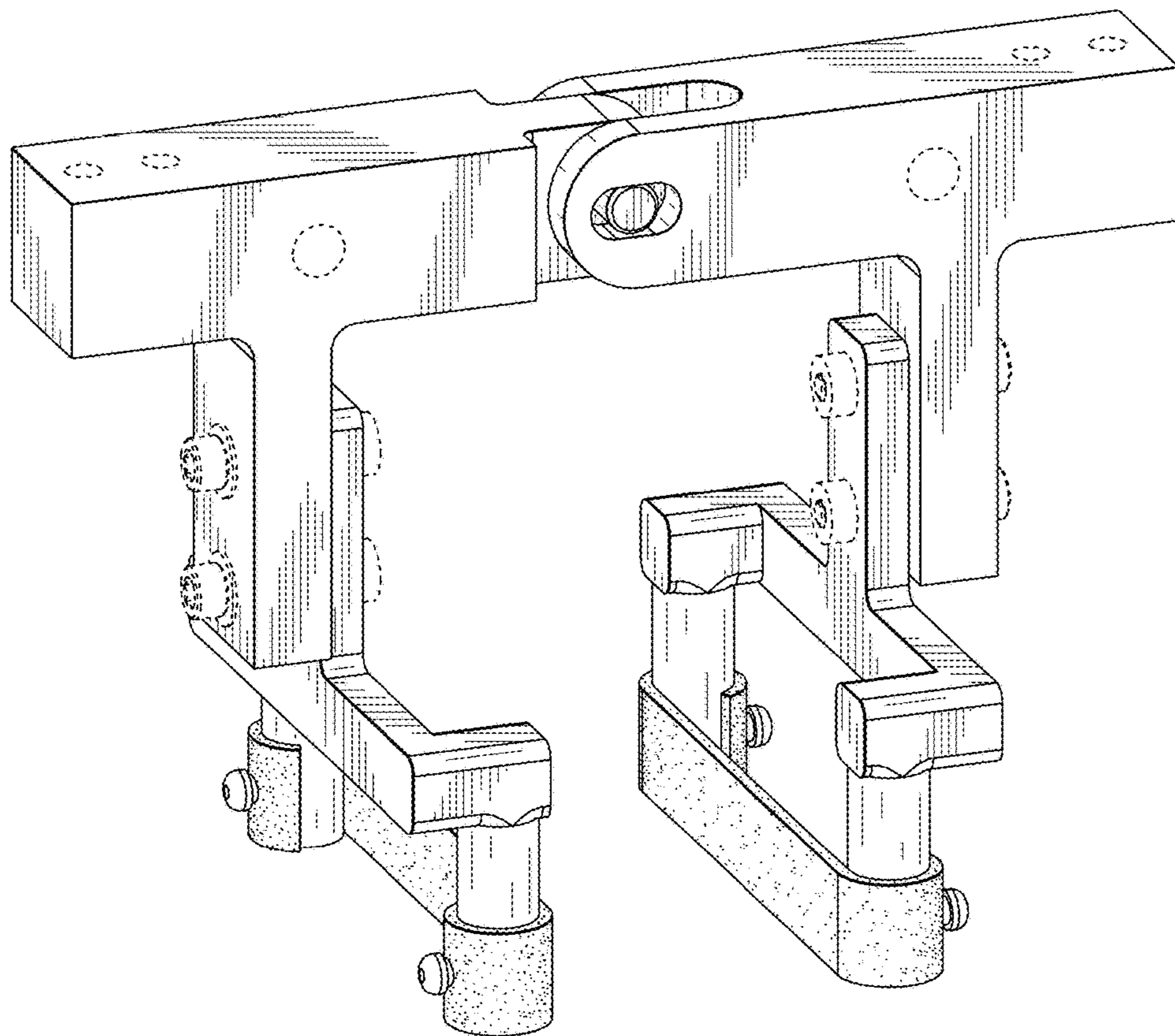


FIG. 3

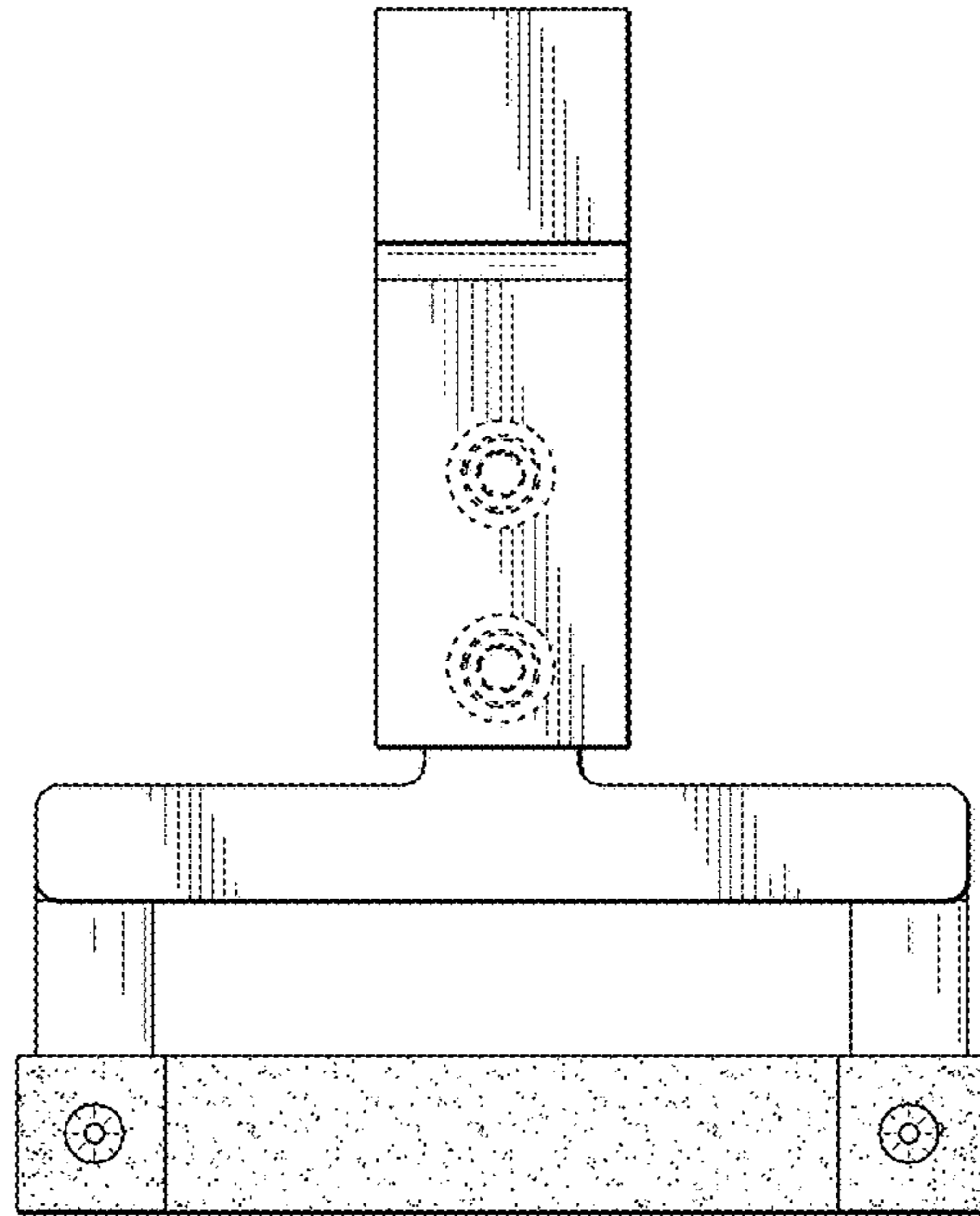


FIG. 4

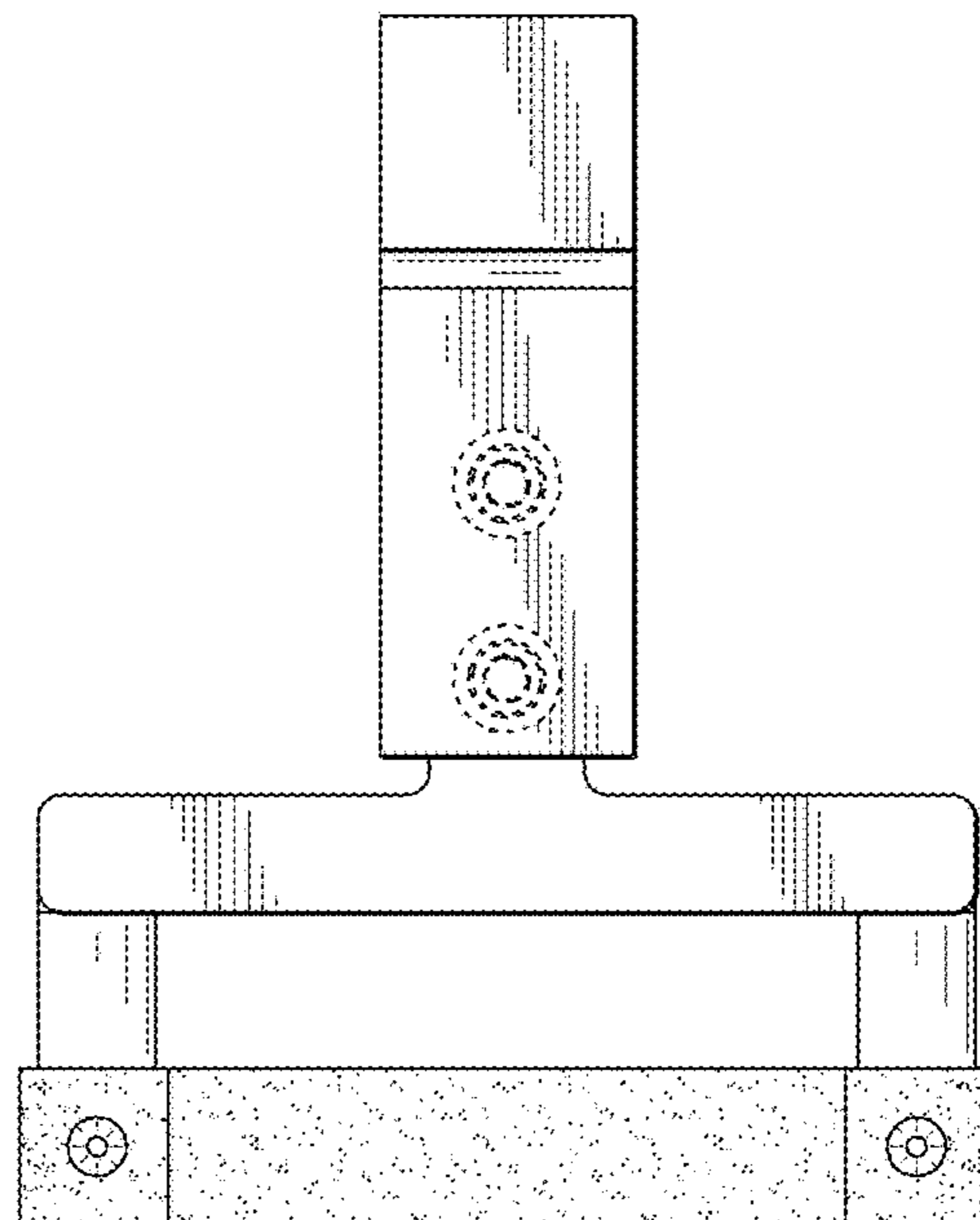
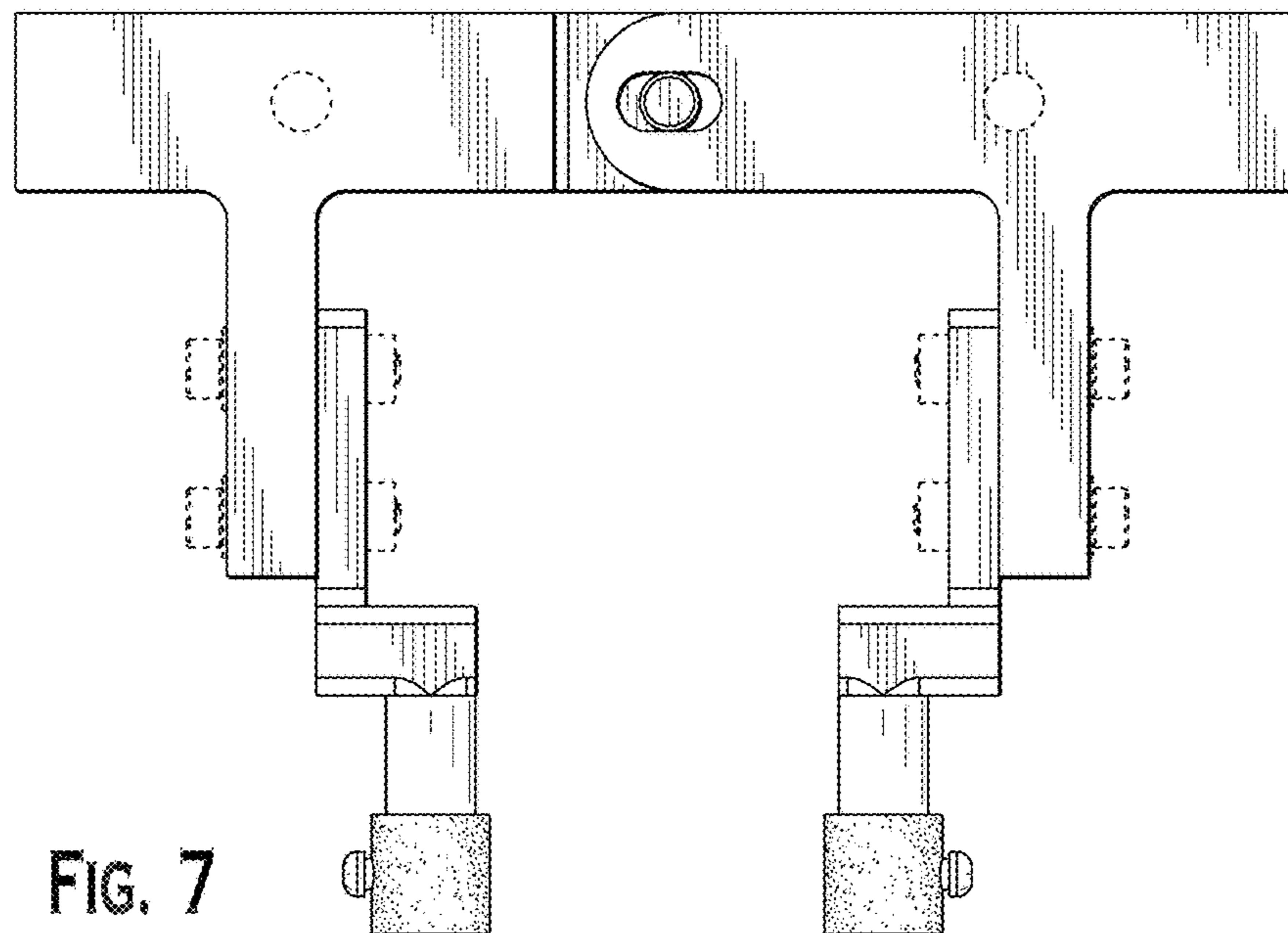
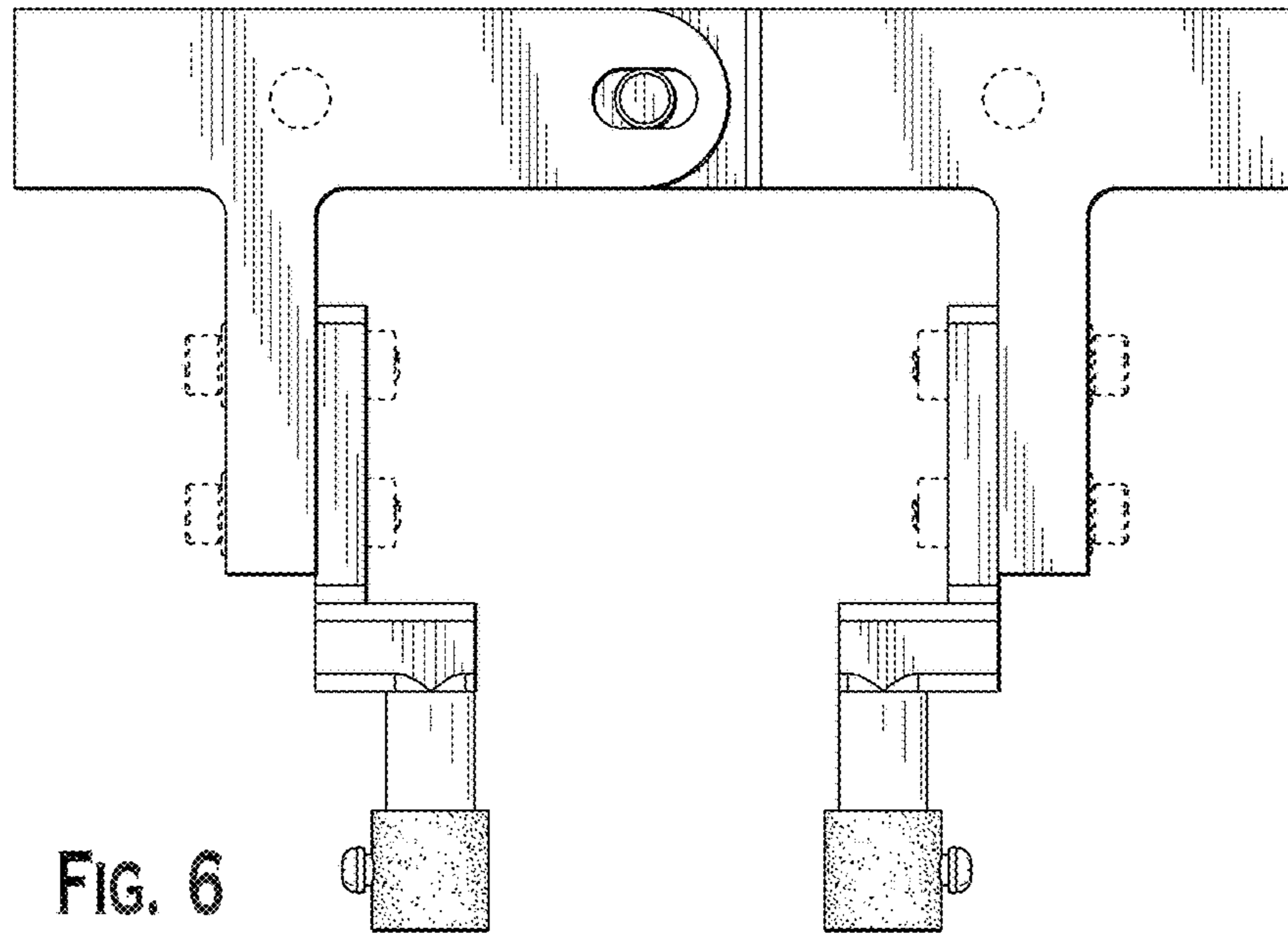


FIG. 5



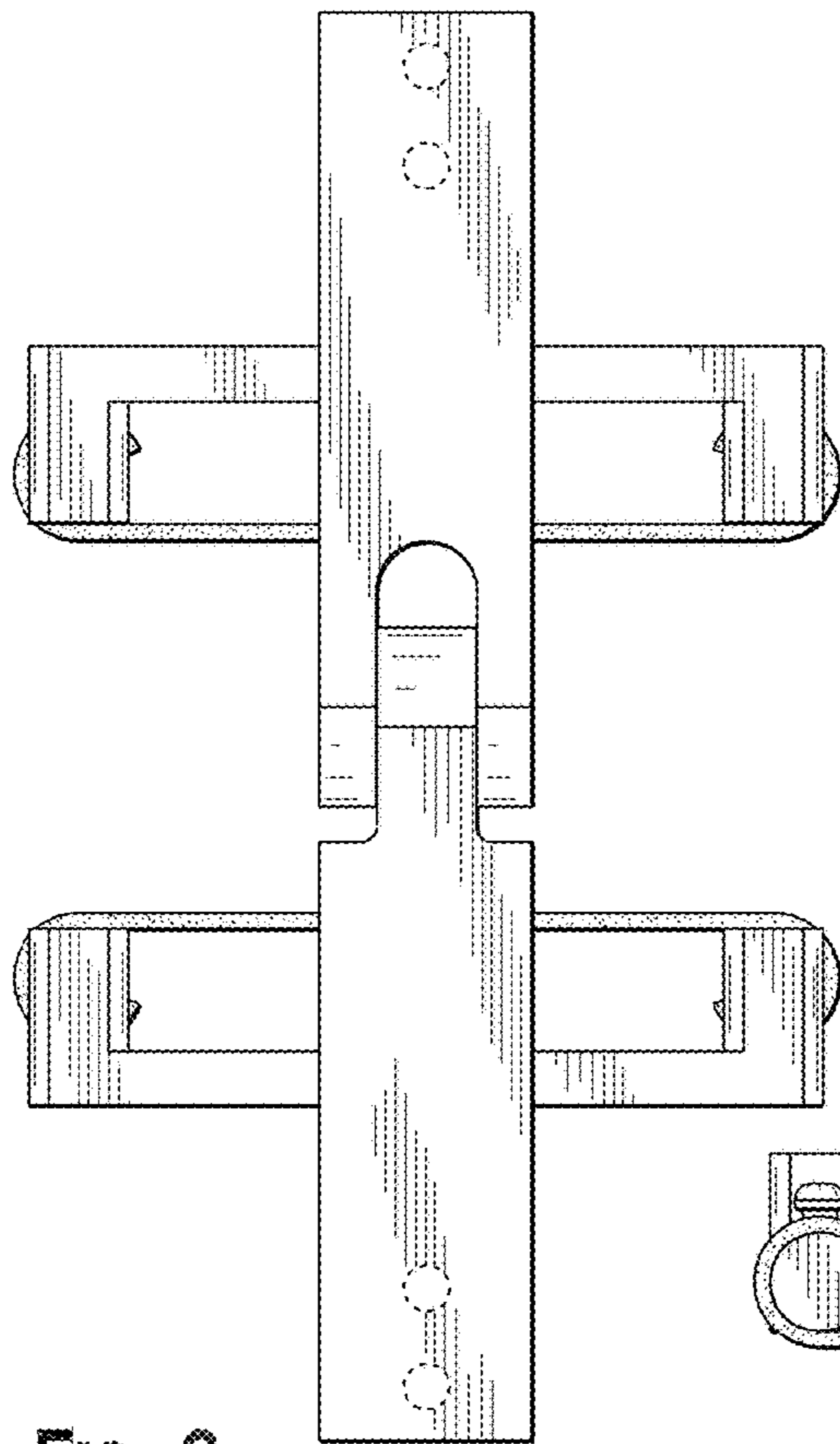


FIG. 8

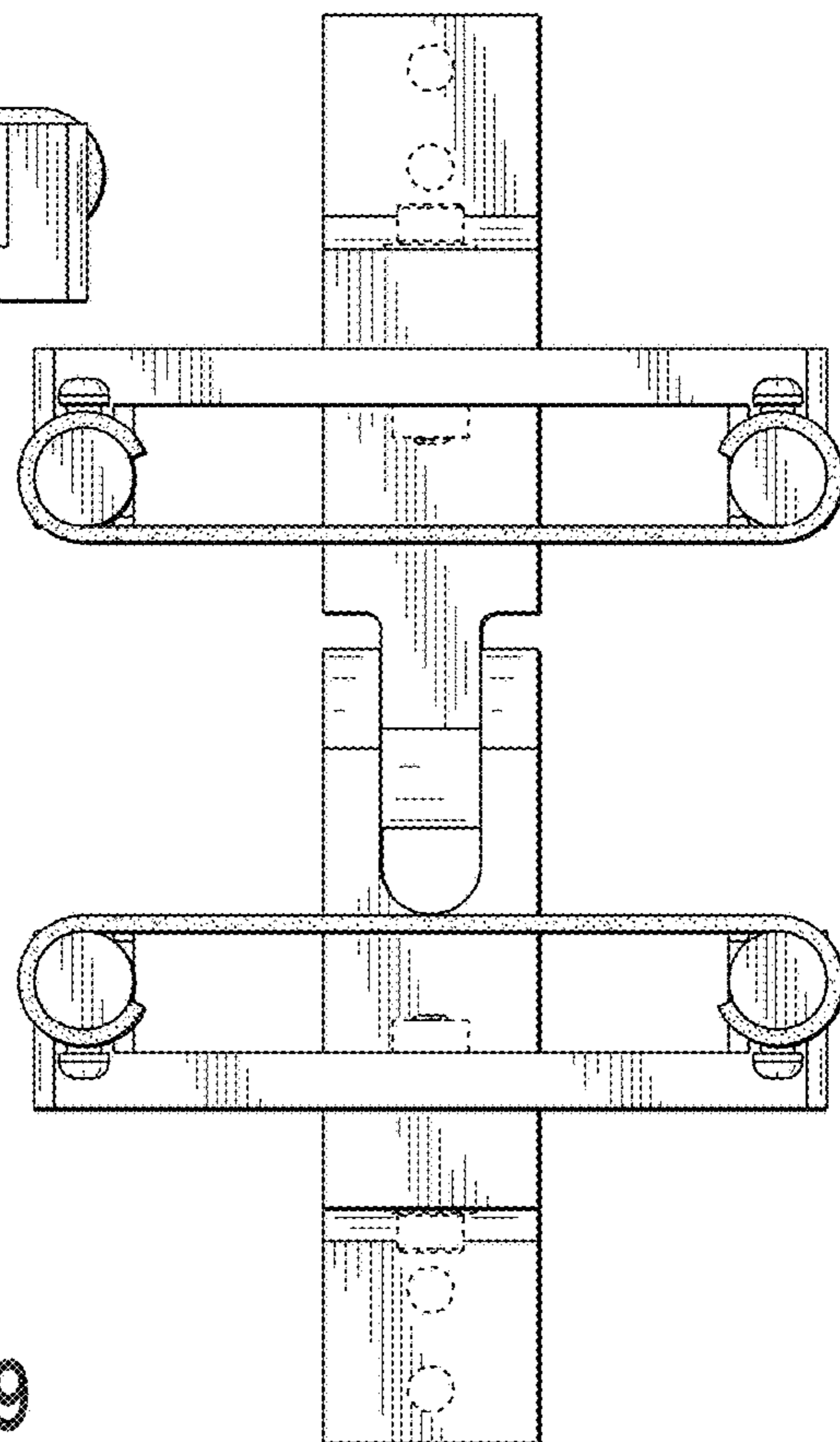


FIG. 9