



US00D845370S

(12) **United States Design Patent**
Chang

(10) **Patent No.:** **US D845,370 S**

(45) **Date of Patent:** **** Apr. 9, 2019**

- (54) **DOUBLE-END SEALER**
- (71) Applicant: **Welcome Co., Ltd.**, New Taipei (TW)
- (72) Inventor: **Richard Chang**, New Taipei (TW)
- (73) Assignee: **WELCOME CO., LTD.**, New Taipei (TW)
- (**) Term: **15 Years**
- (21) Appl. No.: **29/634,395**
- (22) Filed: **Jan. 22, 2018**
- (30) **Foreign Application Priority Data**

Jul. 28, 2017 (TW) 106304297

- (51) **LOC (11) Cl.** **15-99**
- (52) **U.S. Cl.**
USPC **D15/146**
- (58) **Field of Classification Search**
USPC D8/4, 5, 14, 51-60, 105; D15/146
CPC B65B 51/146; B65B 51/148; B65B 51/10
See application file for complete search history.

(56) **References Cited**

U.S. PATENT DOCUMENTS

- D301,548 S * 6/1989 Weaver D9/434
- D328,750 S * 8/1992 Chou D15/146
- D401,950 S * 12/1998 Chou D15/146
- D411,554 S * 6/1999 Lee D15/146
- D416,455 S * 11/1999 Wai D8/51
- D454,894 S * 3/2002 Chou D15/146
- D516,249 S * 2/2006 Merheje D28/60
- D528,137 S * 9/2006 Huang D15/146
- D533,756 S * 12/2006 Chang D8/50
- D542,315 S * 5/2007 Chang D15/146
- D548,033 S * 8/2007 Russo D8/51
- D570,171 S * 6/2008 Benktzon D24/133

- D573,856 S * 7/2008 Nakamura D8/50
- D579,034 S * 10/2008 Chang D15/146
- D608,171 S * 1/2010 Trewartha D8/50
- 7,810,540 B2 * 10/2010 Chang B26B 27/00
156/515
- D736,050 S * 8/2015 Barouch D8/52
- 9,809,340 B1 * 11/2017 Chang H02J 7/0052
- D812,662 S * 3/2018 Chang D15/146
- D823,913 S * 7/2018 Chou D15/146
- D823,914 S * 7/2018 Chang D15/146
- D826,019 S * 8/2018 Keehner D8/51
- 2004/0144766 A1 * 7/2004 Chang B29C 65/18
219/243
- 2006/0231211 A1 * 10/2006 Chou B29C 65/228
156/579
- 2009/0020230 A1 * 1/2009 Chang B26B 27/00
156/579
- 2016/0229115 A1 * 8/2016 Chang B29C 66/8221
- 2017/0197747 A1 * 7/2017 Keehner B65B 67/06

* cited by examiner

Primary Examiner — Deanna L Pratt

(74) *Attorney, Agent, or Firm* — Bacon & Thomas, PLLC

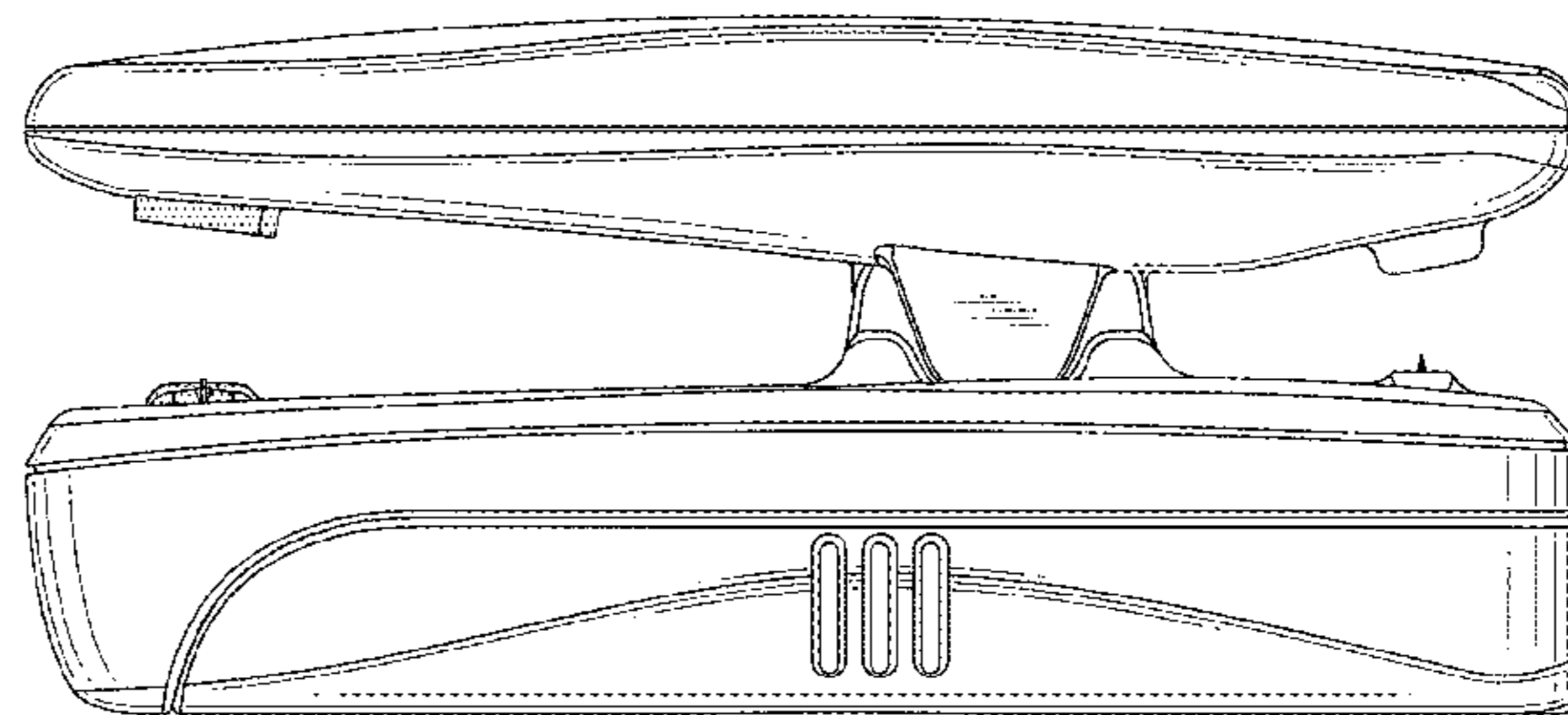
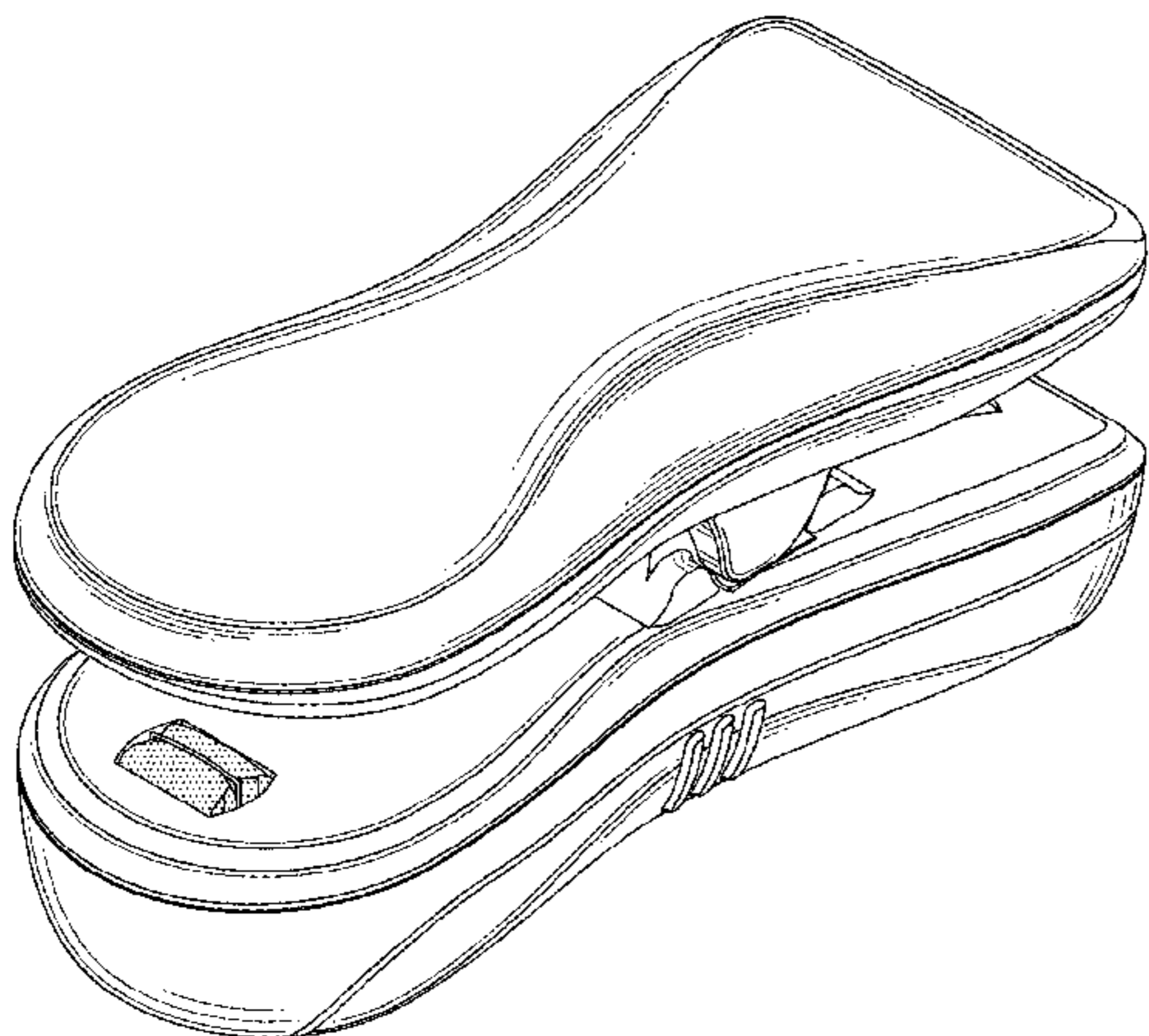
(57) **CLAIM**

The ornamental design for the double-end sealer, as shown and described.

DESCRIPTION

FIG. 1 is a top, front, and left perspective view of a double-end sealer showing our new design; FIG. 2 is a front side view thereof; FIG. 3 is a rear side view thereof; FIG. 4 is a left side view thereof; FIG. 5 is a right side view thereof; FIG. 6 is a top plan view thereof; FIG. 7 is a bottom plan view thereof; and, FIG. 8 is a bottom, front, and left perspective view thereof.

1 Claim, 7 Drawing Sheets



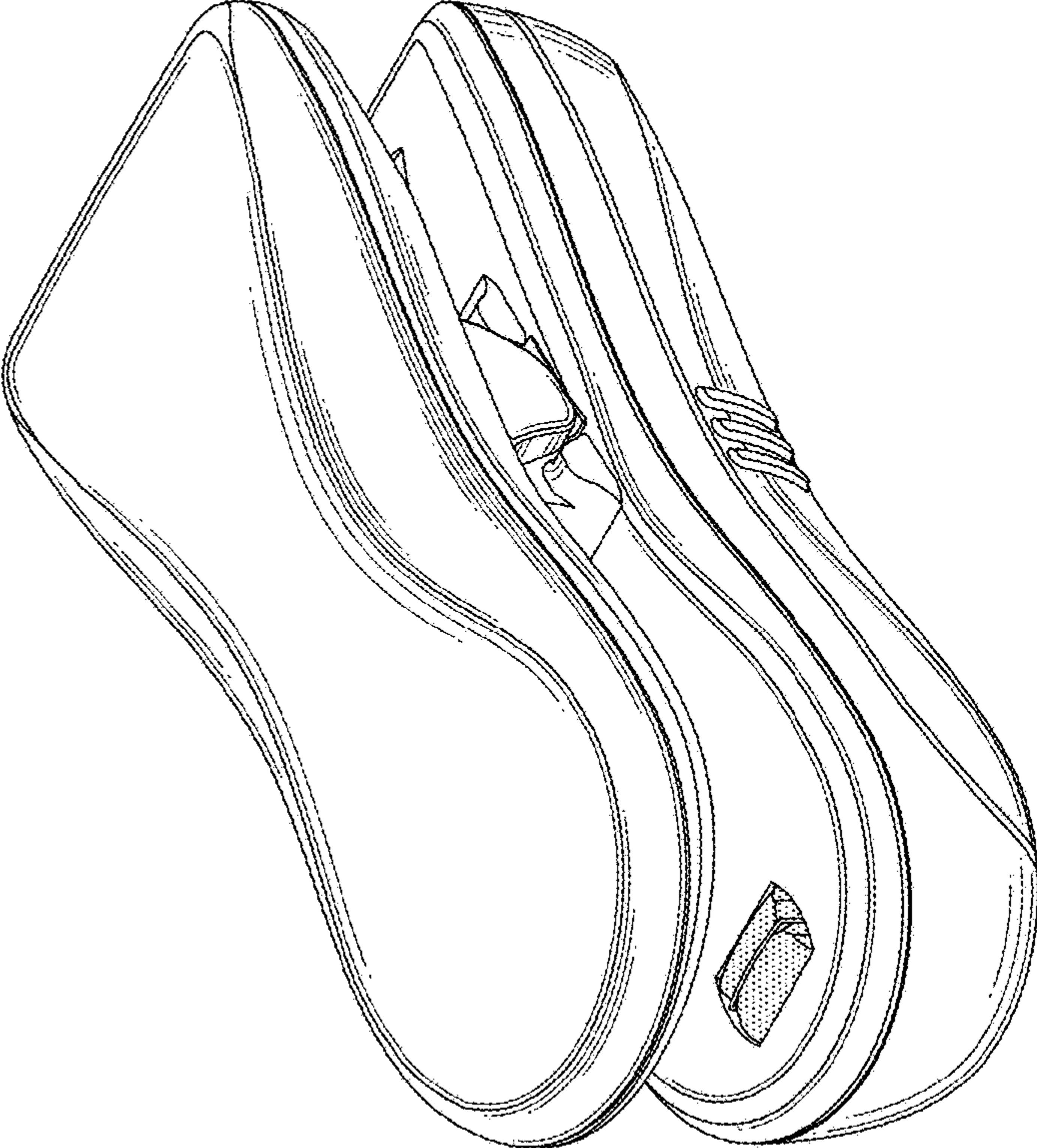


FIG. 1

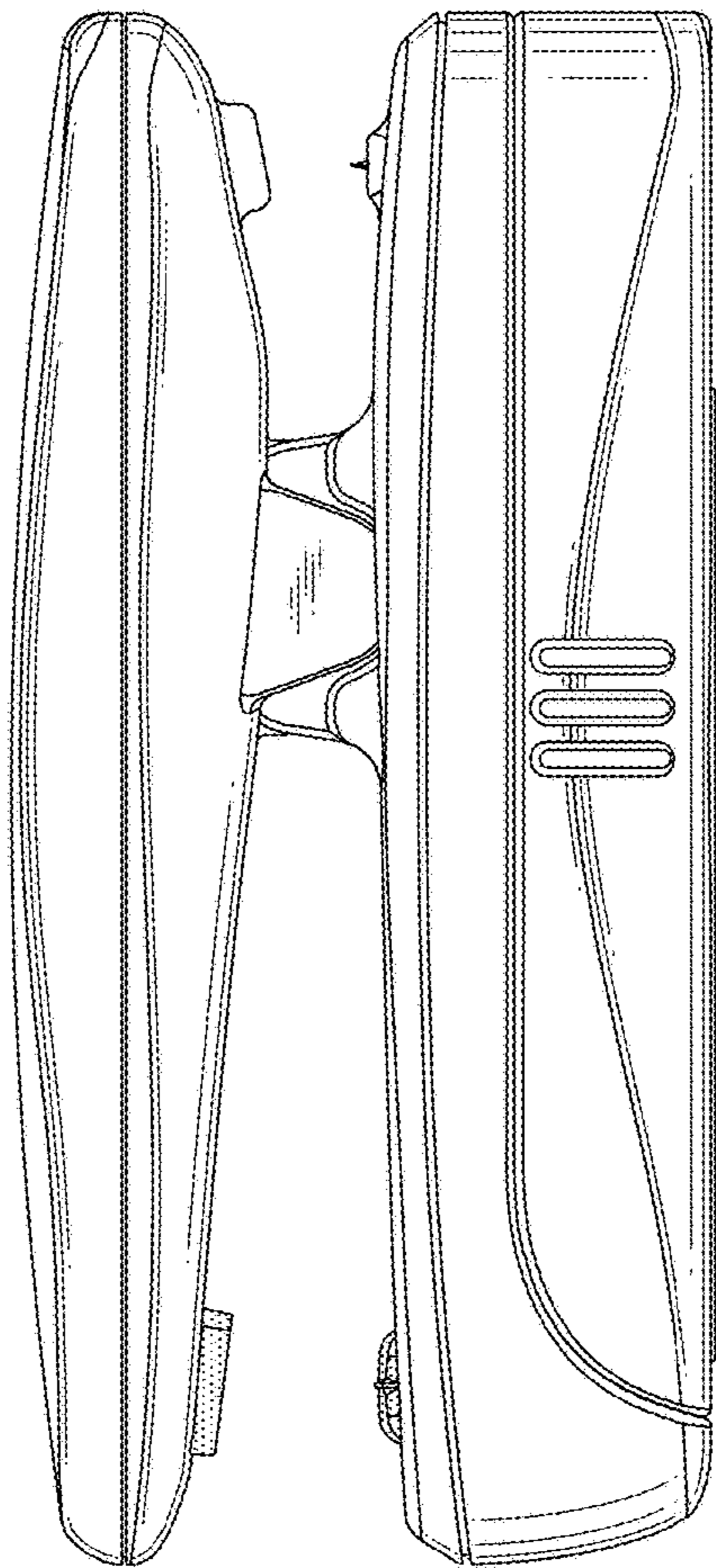


FIG. 2

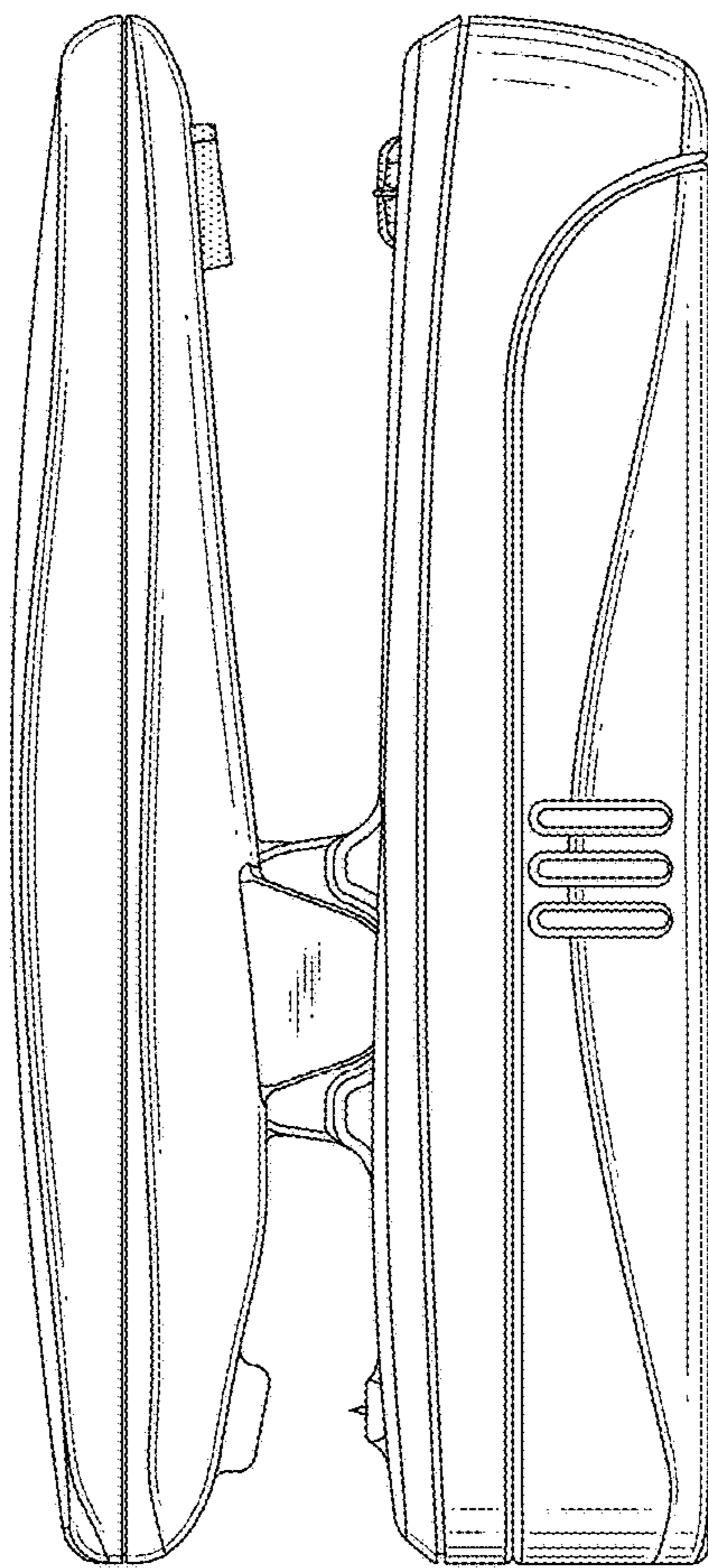


FIG. 3

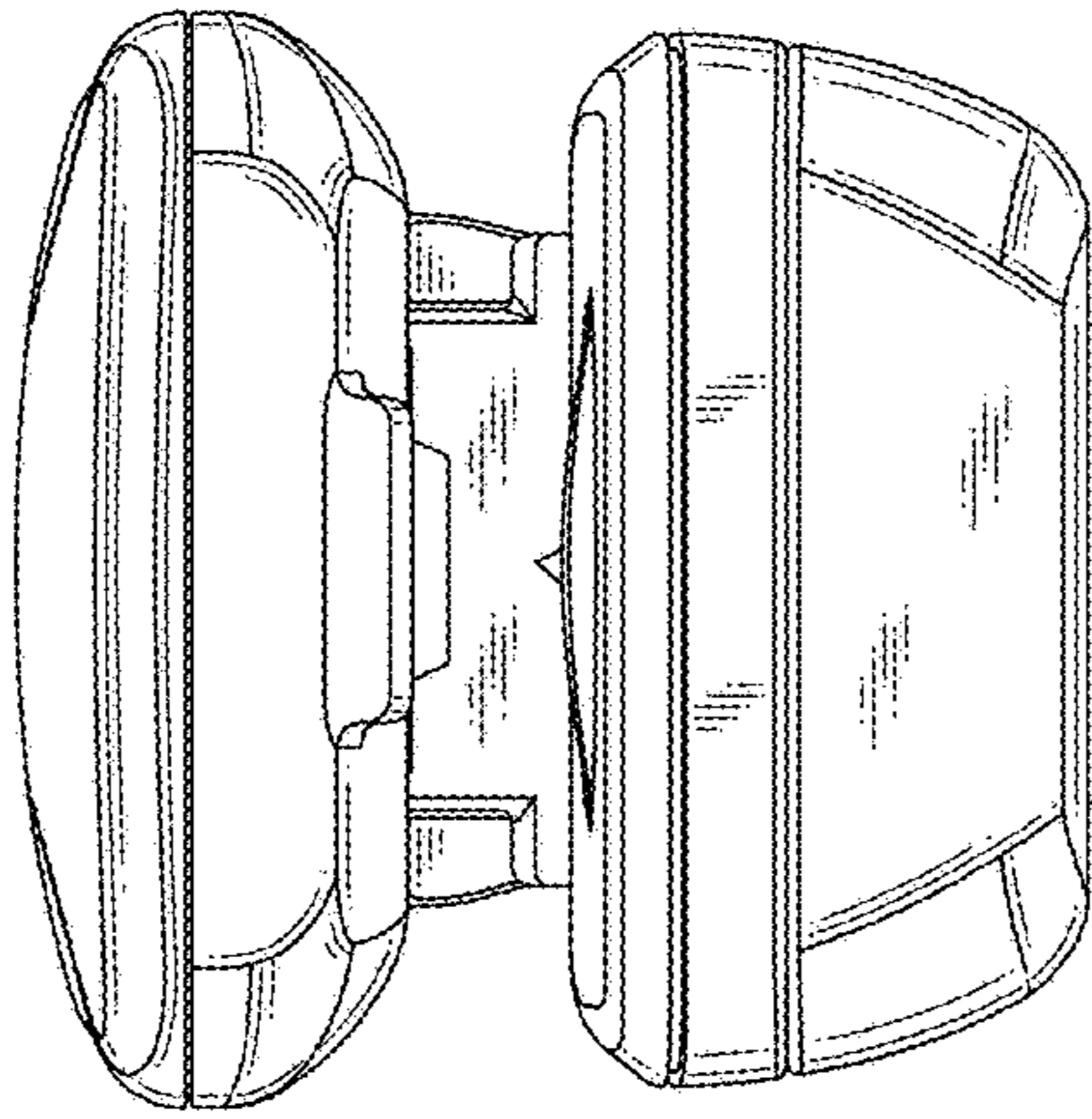


FIG. 5

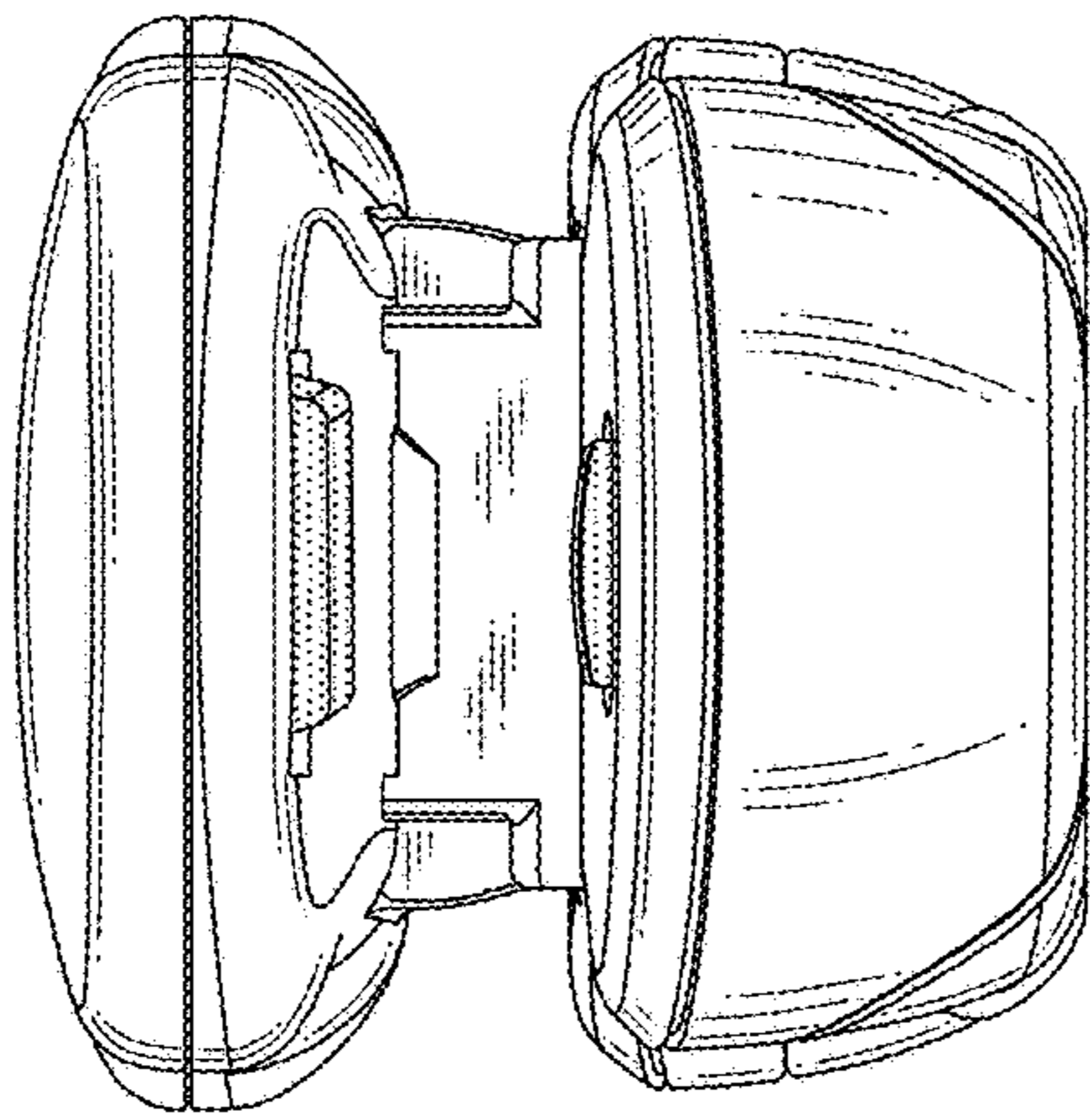


FIG. 4

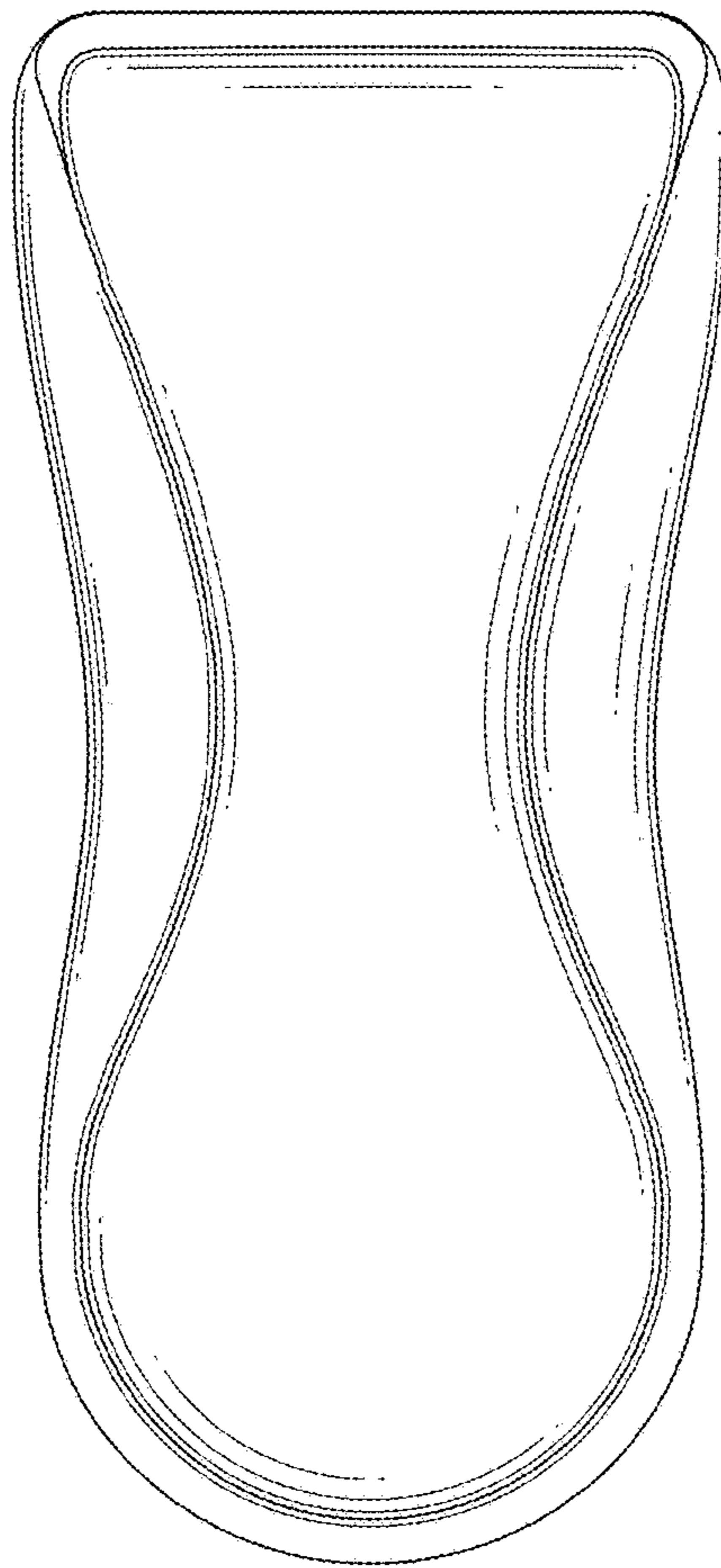


FIG. 6

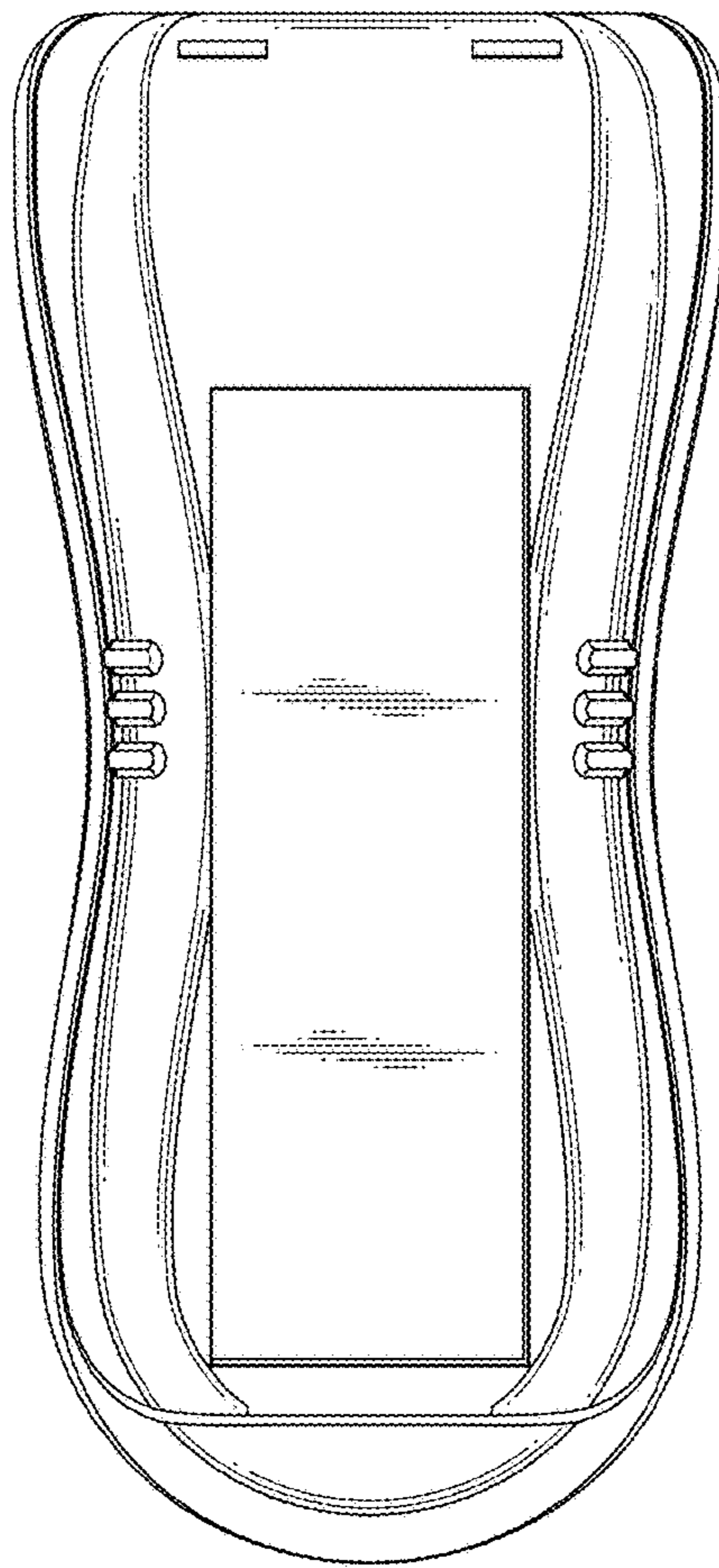


FIG. 7

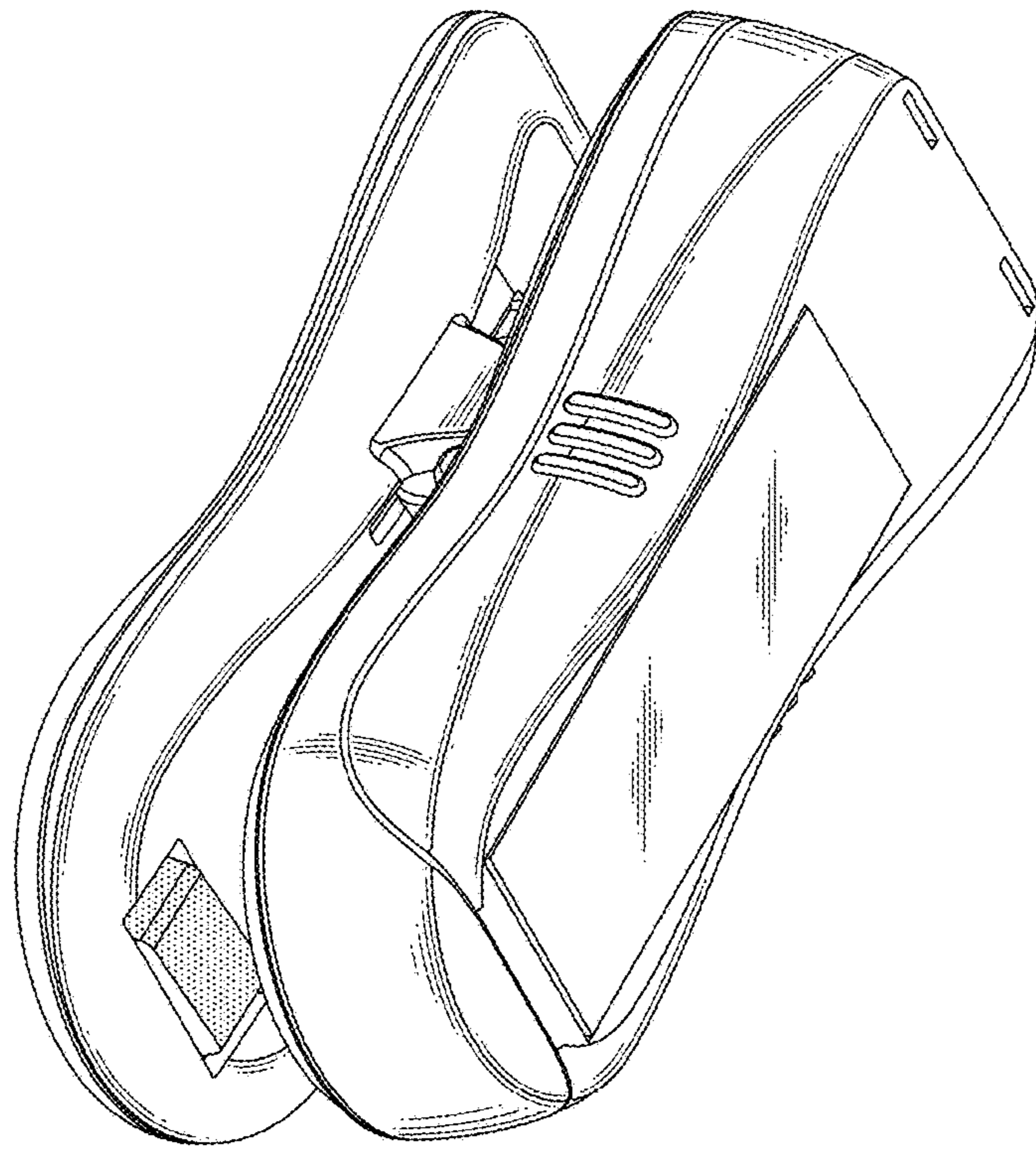


FIG. 8