



US00D845369S

(12) **United States Design Patent** (10) **Patent No.:** **US D845,369 S**
Walker (45) **Date of Patent:** **** Apr. 9, 2019**

- (54) **SPOKED SOLDER PAD**
- (71) Applicant: **Myron Walker**, Redmond, WA (US)
- (72) Inventor: **Myron Walker**, Redmond, WA (US)
- (**) Term: **15 Years**
- (21) Appl. No.: **29/636,910**
- (22) Filed: **Feb. 12, 2018**

- 2009/0091025 A1 4/2009 Wong et al.
- 2009/0211087 A1 6/2009 Oggioni et al.
- 2011/0067911 A1 3/2011 Ishikawa et al.
- 2013/0323526 A1 12/2013 Hasin et al.

FOREIGN PATENT DOCUMENTS

- JP S61102089 A 5/1986
- JP H09107173 A 4/1997

* cited by examiner

Primary Examiner — Antoine Duval Davis

(74) *Attorney, Agent, or Firm* — AEON Law; Adam L. K. Philipp; David V. H. Cohen

Related U.S. Application Data

- (62) Division of application No. 29/512,592, filed on Dec. 19, 2014, now Pat. No. Des. 816,135.
- (51) **LOC (11) Cl.** **15-09**
- (52) **U.S. Cl.**
USPC **D15/144**
- (58) **Field of Classification Search**
USPC D10/46, 75; D14/435, 436, 437, 438;
D15/144, 144.1, 144.2
CPC H01L 24/05; H01L 2224/05555; H01L
2224/05557; H01L 2224/05551; H01L
2224/05563; H05K 1/181; H05K 1/111
See application file for complete search history.

(57) **CLAIM**

The ornamental design for a spoked solder pad, as shown and described.

DESCRIPTION

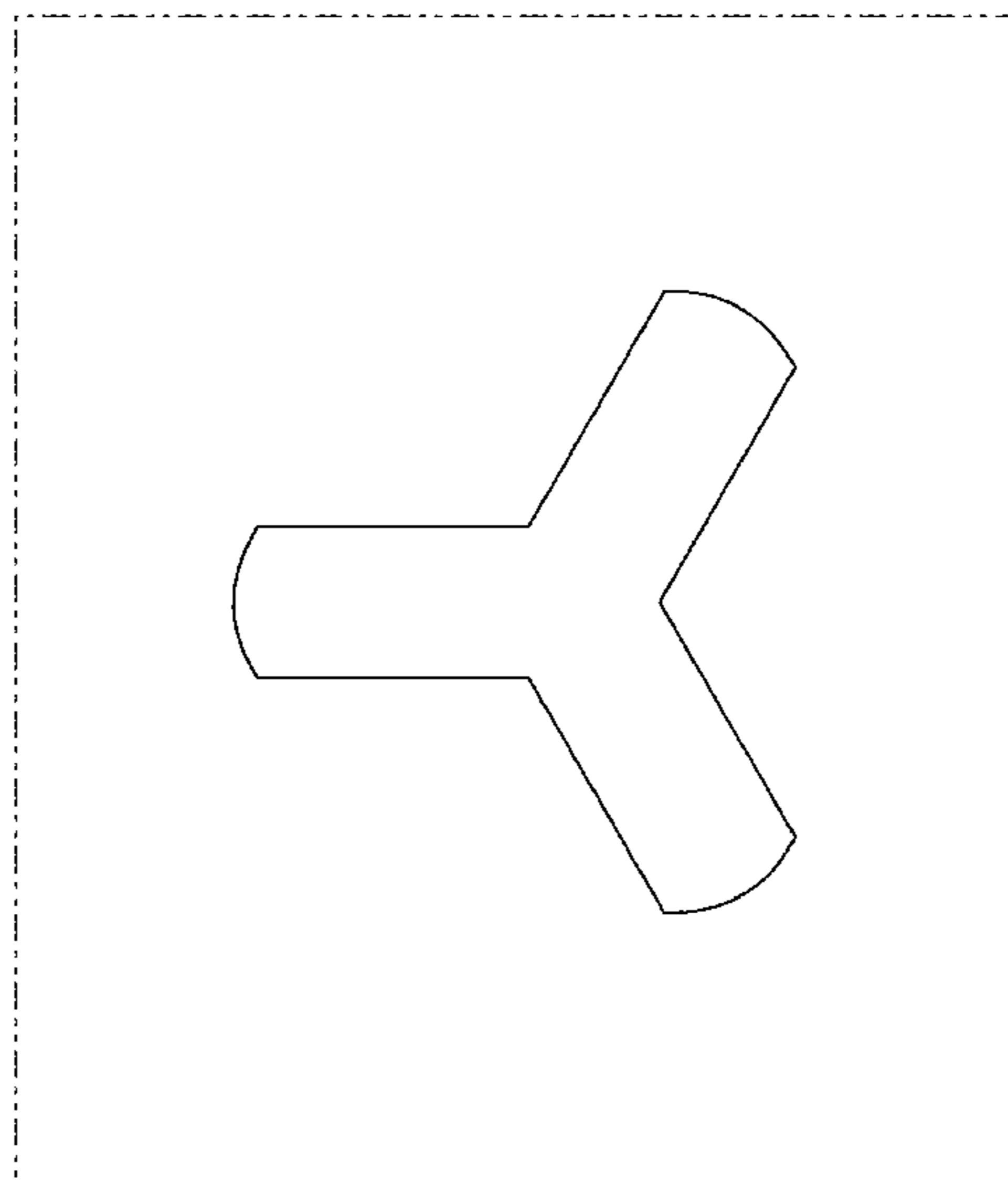
FIG. 1 is a top plan view of my new design for a solder pad. FIG. 2 is a top plan view of the solder pad of FIG. 1 with illustrative radial axes drawn. FIG. 3 is a top plan view of the solder pad of FIG. 1 with illustrative adjacent circuit board traces and vias. FIG. 4 is a perspective view of the solder pad of FIG. 1 on an illustrative integrated circuit package; and, FIG. 5 is a perspective view of the solder pad of FIG. 1 on an illustrative circuit board. Broken line illustrations of environmental structure in the drawings, including the radial axes in FIG. 2, circuit board traces and vias in FIG. 3, integrated circuit package outlines in FIG. 4, and circuit board outlines in FIG. 5, are provided for illustrative purposes only and form no part of the claimed design.

(56) **References Cited**

U.S. PATENT DOCUMENTS

- 5,900,674 A 5/1999 Wojnarowski et al.
- 6,054,563 A 4/2000 Alas et al.
- D571,810 S * 6/2008 Ikeda D14/437
- 7,902,666 B1 3/2011 Hsu et al.
- D701,864 S * 4/2014 Lepp D14/436
- D702,240 S * 4/2014 Lepp D14/436
- D702,241 S * 4/2014 Lepp D14/436
- 2002/0071642 A1 6/2002 Nakata
- 2002/0092672 A1 7/2002 Primavera
- 2003/0057515 A1 3/2003 Fillion et al.
- 2004/0020972 A1 2/2004 Miyajima
- 2007/0126030 A1 6/2007 Ito

1 Claim, 5 Drawing Sheets



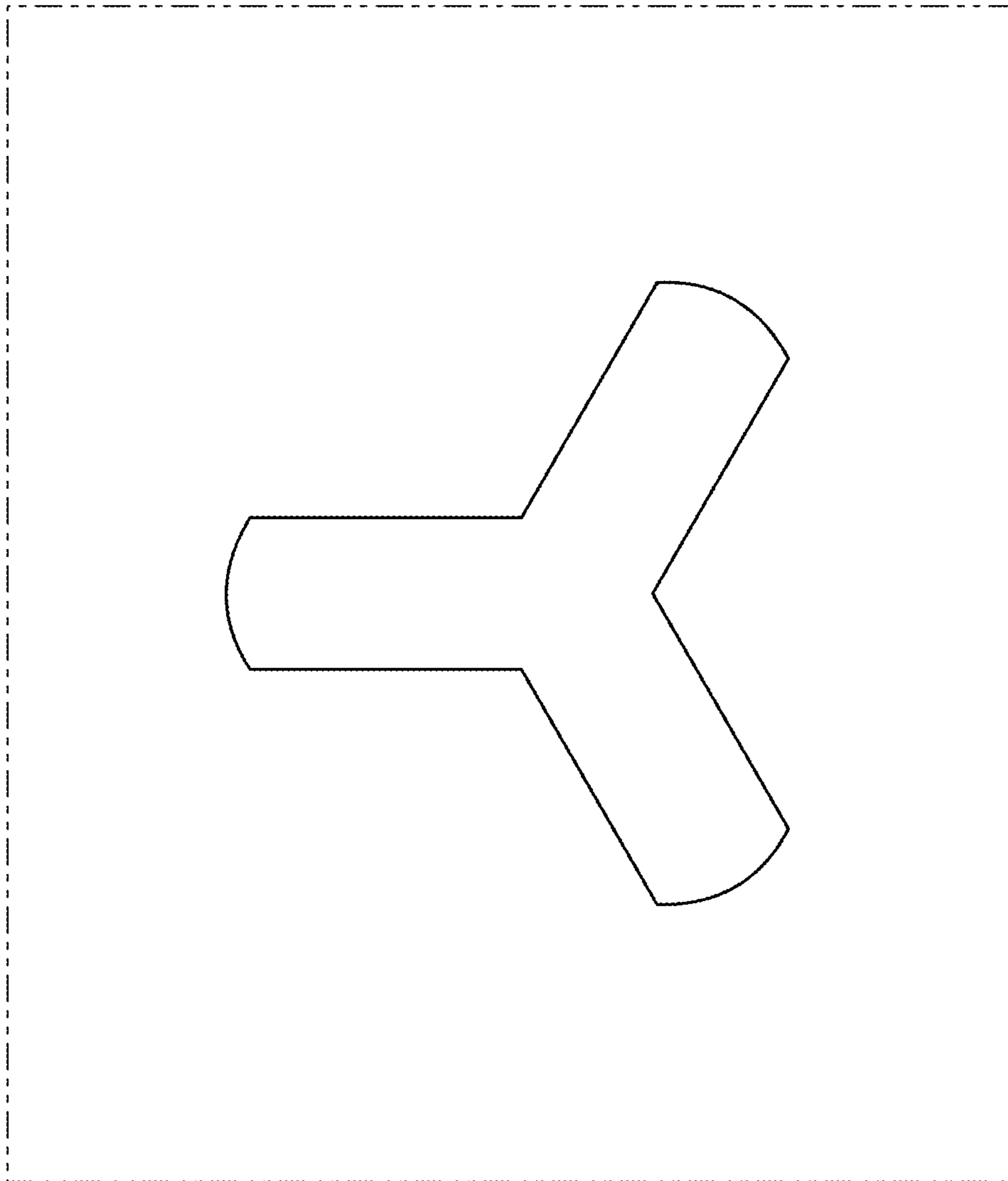


FIG. 1

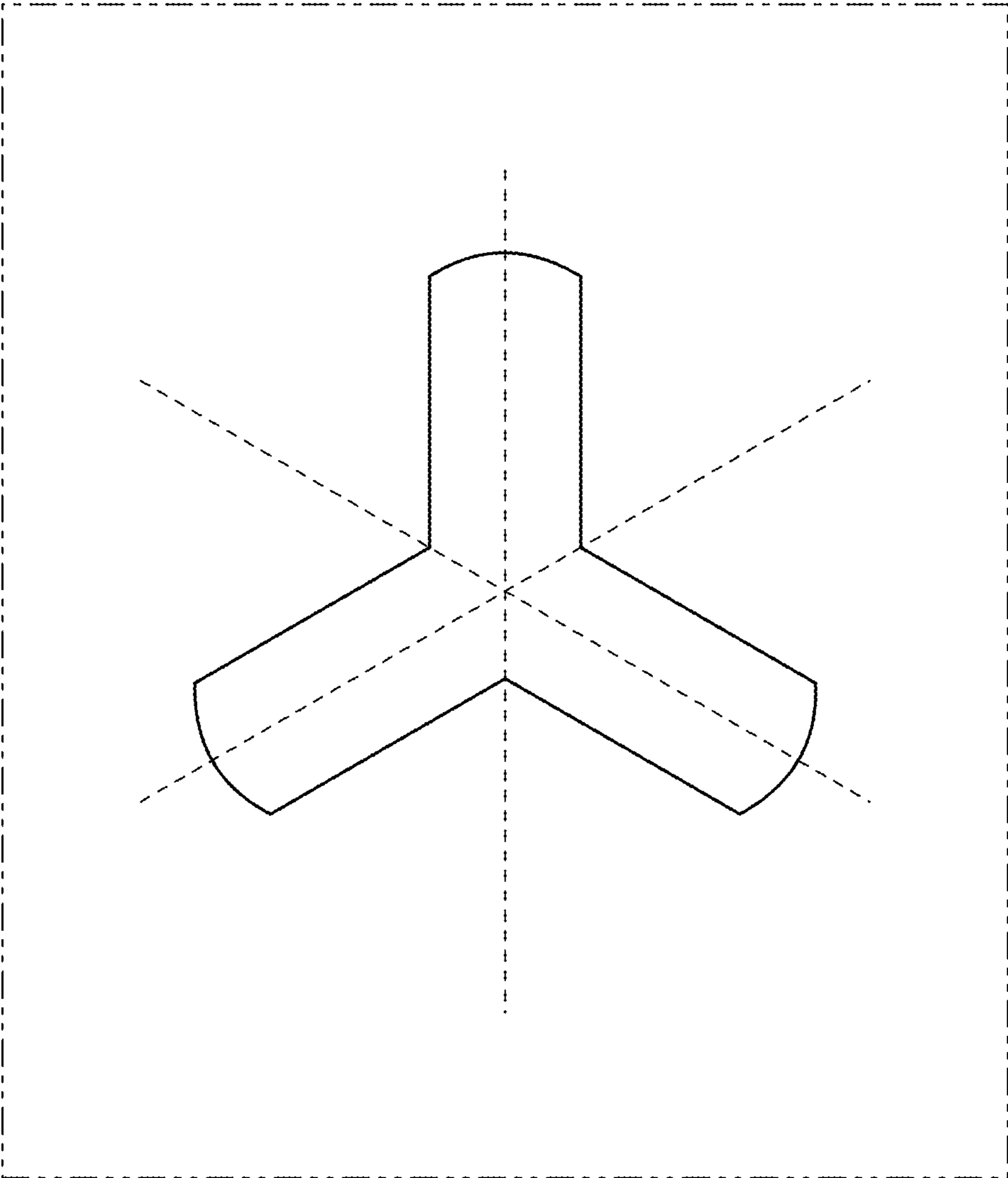


FIG. 2

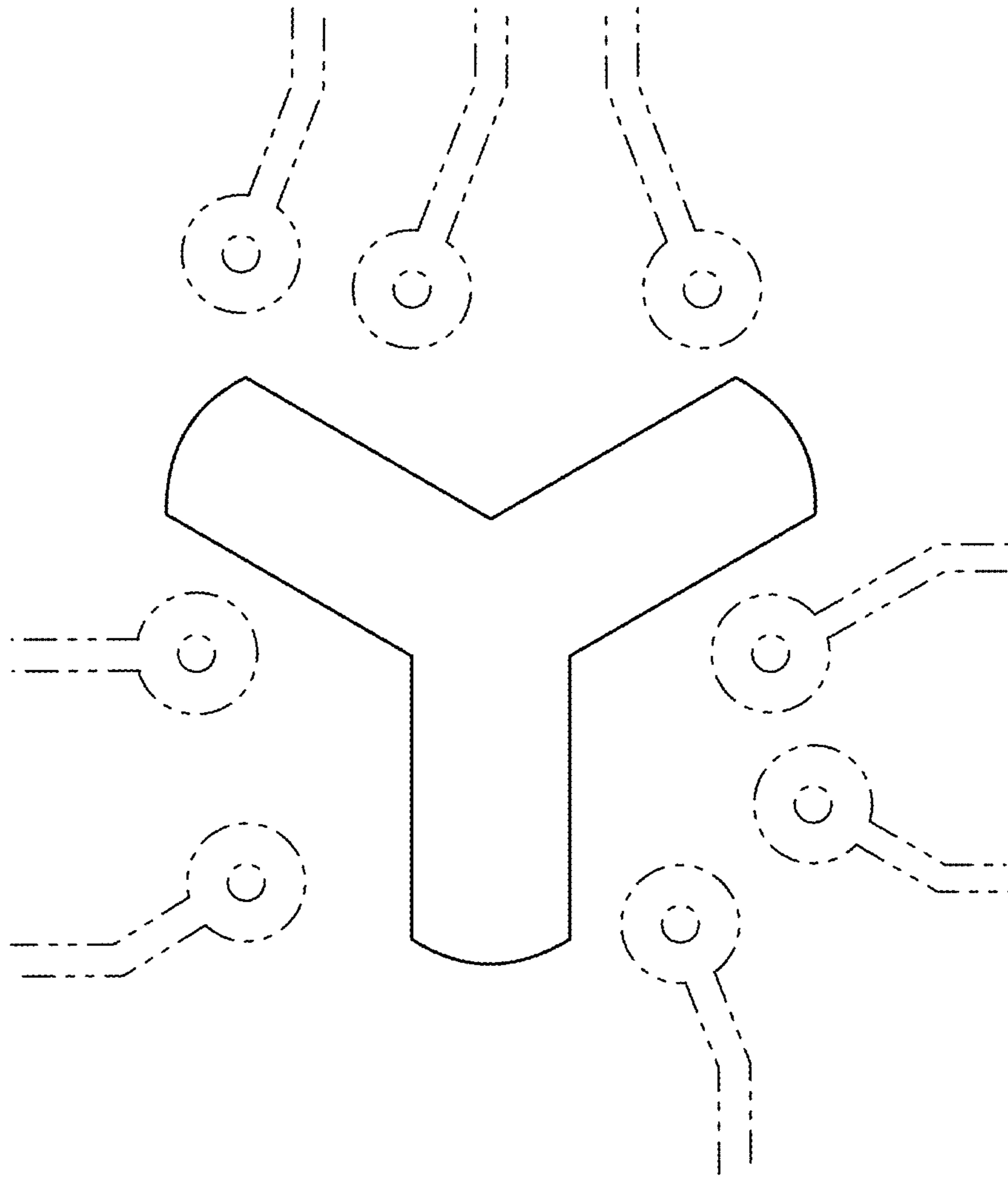


FIG. 3

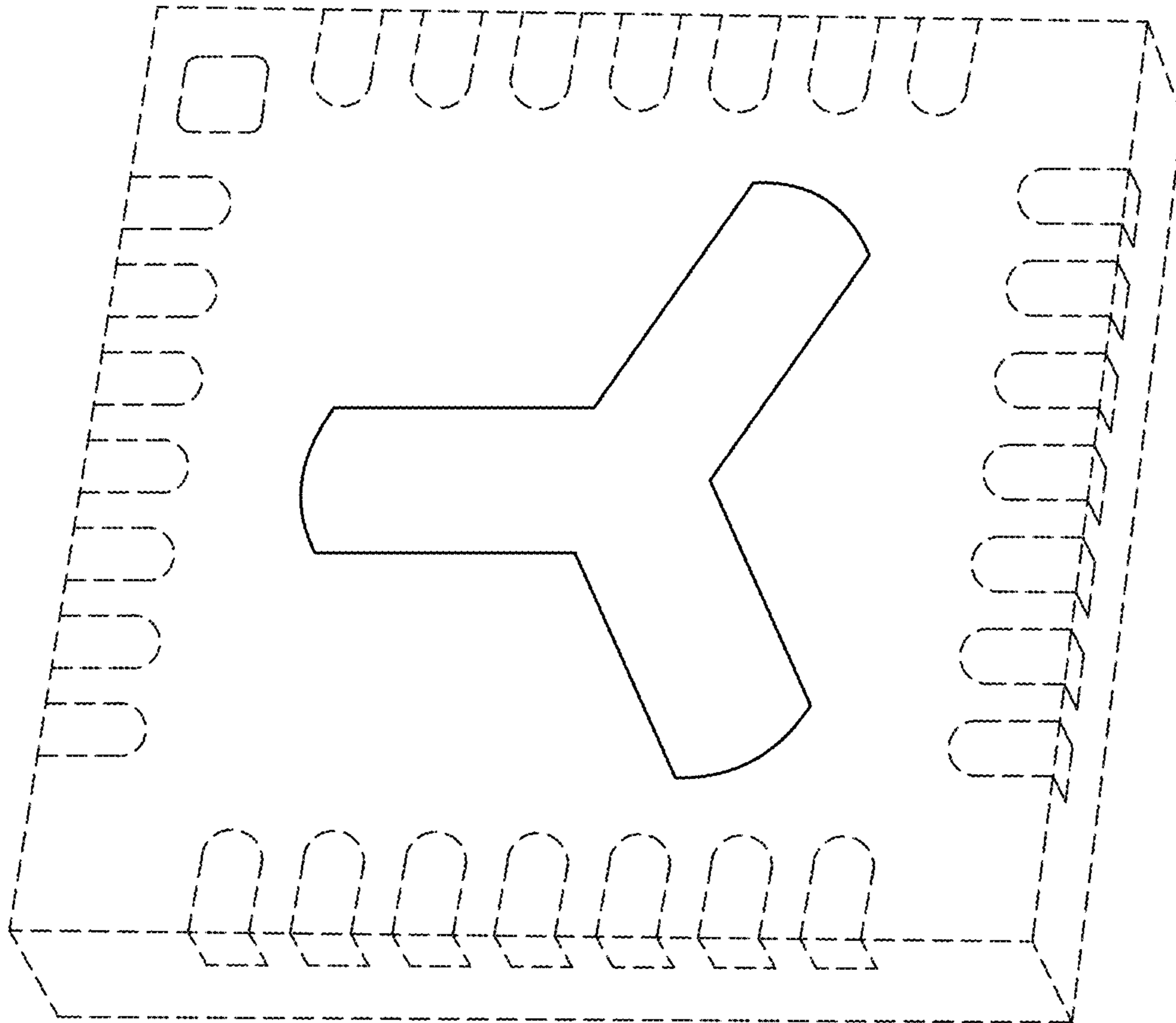


FIG. 4

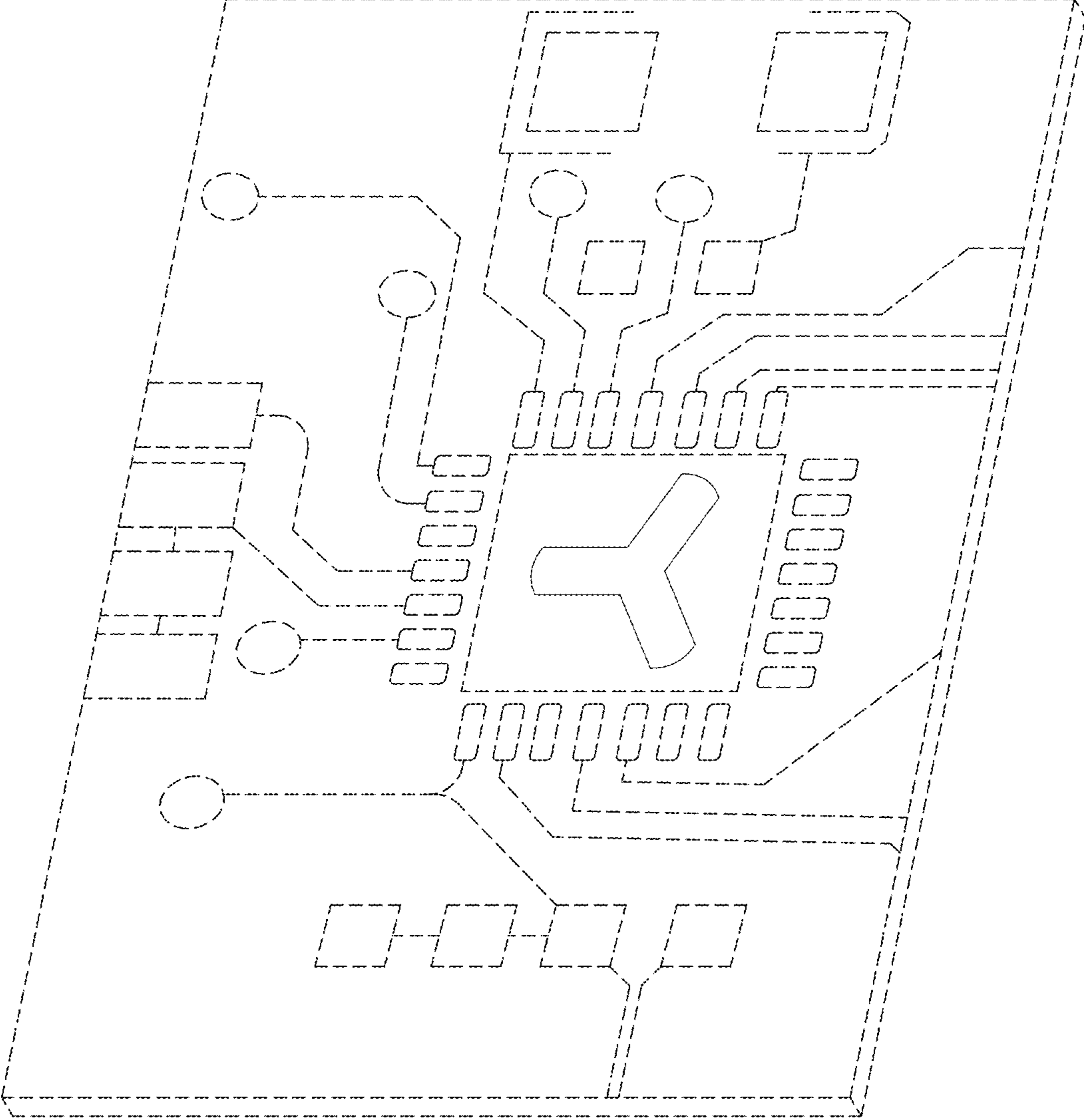


FIG. 5