



US00D845366S

(12) **United States Design Patent**
Stewart et al.

(10) **Patent No.:** **US D845,366 S**
(45) **Date of Patent:** **** Apr. 9, 2019**

- (54) **TORCH HAVING A ROTATABLE TOP COVER AND AN ATTACHMENT CLIP**
- (71) Applicant: **WORTHINGTON TORCH, LLC**,
Columbus, OH (US)
- (72) Inventors: **Shea Michael Stewart**, Columbus, OH (US); **Cliff Ryan Walters**, Westerville, OH (US); **Donald James Staufenberg**, Dublin, OH (US); **Luke Christopher Stonis**, Columbus, OH (US)
- (73) Assignee: **WORTHINGTON TORCH, LLC**,
Columbus, OH (US)
- (**) Term: **15 Years**
- (21) Appl. No.: **29/572,313**
- (22) Filed: **Jul. 27, 2016**
- (51) **LOC (11) Cl.** **15-09**
- (52) **U.S. Cl.**
USPC **D15/144; D27/154**
- (58) **Field of Classification Search**
USPC D8/95, 96, 97, 98, 99, 105, 107;
D15/144; D27/154, 157

(Continued)

(56) **References Cited**

U.S. PATENT DOCUMENTS

- 1,886,461 A * 11/1932 Berman F23Q 2/02
431/141
- 2,554,366 A * 5/1951 Jones F23Q 2/06
431/142

(Continued)

OTHER PUBLICATIONS

“KLIPP™ Lighter, Orange”, UST Brands, product advertisement published online prior to Jul. 27, 2016, downloaded from www.ustbrands.com/product/klipp-lighter (2 pages).

(Continued)

Primary Examiner — Patricia A Palasik
(74) *Attorney, Agent, or Firm* — Daniel F. Nesbitt; Hasse & Nesbitt LLC

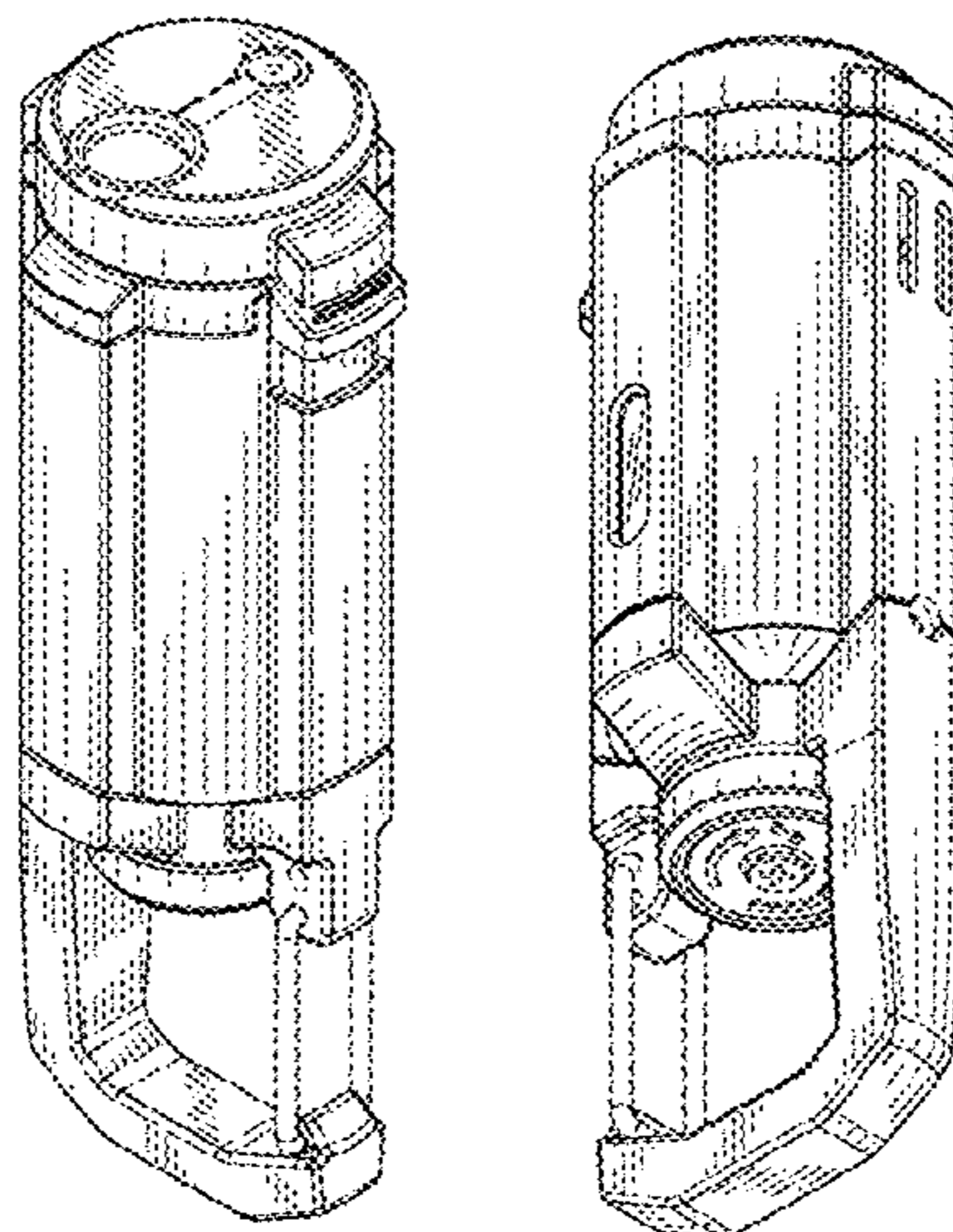
(57) **CLAIM**

We claim the ornamental design for a torch having a rotatable top cover and an attachment clip, as shown and described.

DESCRIPTION

FIG. 1 is a top, front, and left side perspective view of a torch having a rotatable top cover and an attachment clip, wherein the rotatable top cover is disposed in a first position; FIG. 2 is a bottom perspective view thereof; FIG. 3 is a left side elevational view thereof; FIG. 4 is a right side elevational view thereof; FIG. 5 is a back side elevational view thereof; FIG. 6 is a front side elevational view thereof; FIG. 7 is a top plan view thereof; FIG. 8 is bottom plan view thereof; FIG. 9 is a top, front, and left side perspective view of the torch, with the rotatable top cover having been rotated to a second position; FIG. 10 is bottom perspective view of the torch of FIG. 9; FIG. 11 is a left side elevational view of the torch of FIG. 9; FIG. 12 is a right side elevational view of the torch of FIG. 9; FIG. 13 is a back side elevational view of the torch of FIG. 9; FIG. 14 is a front side elevational view of the torch of FIG. 9; FIG. 15 is a top plan view of the torch of FIG. 9; and, FIG. 16 is a bottom plan view of the torch of FIG. 9. The broken lines in the drawings depict portions of the torch having a rotatable top cover and an attachment clip which form no part of the claimed design.

1 Claim, 6 Drawing Sheets



(58) **Field of Classification Search**

CPC . B23D 51/03; B23K 5/00; B23K 7/00; B23K 9/00; B23K 9/28; B23K 9/32; B26B 1/00; B26B 1/04

See application file for complete search history.

(56) **References Cited**

U.S. PATENT DOCUMENTS

D167,661 S * 9/1952 Treiss, Jr. D27/157
 D168,009 S * 10/1952 Woofter D27/154
 D208,662 S * 9/1967 Yoshino D27/154
 D221,402 S * 8/1971 Hayaashi D27/154
 D230,424 S * 2/1974 Racek D27/154
 4,918,820 A * 4/1990 Korb B23D 51/01
 30/155
 D310,427 S * 9/1990 Nitta D27/154
 D326,682 S * 6/1992 Kimura 401/202
 D347,643 S * 6/1994 Burgin D15/142
 D357,166 S * 4/1995 Concari D8/107
 D361,863 S * 8/1995 Motobayashi D27/154
 D376,870 S * 12/1996 Ichikawa D27/157
 D393,328 S * 4/1998 Inoue D27/154
 D397,499 S * 8/1998 Saito D27/154
 D403,807 S * 1/1999 Fontaine, Jr. D27/154
 D405,917 S * 2/1999 Suzuki D27/154
 D405,918 S * 2/1999 Motobayashi D27/157
 D423,139 S * 4/2000 Williamson D27/142
 D432,713 S * 10/2000 Chen D27/154
 6,142,769 A * 11/2000 Walker B25F 1/04
 362/119
 D435,142 S * 12/2000 Lee D27/157
 D444,912 S * 7/2001 Xie D27/157

D447,833 S * 9/2001 Maruyama D27/157
 D453,585 S * 2/2002 Walker, Jr. D27/157
 D455,520 S * 4/2002 Wong D27/157
 D459,834 S * 7/2002 Park D27/143
 D460,211 S * 7/2002 Park D27/143
 D463,881 S * 10/2002 Smith D27/157
 6,461,146 B1 10/2002 Hu
 D467,684 S 12/2002 Lin
 D468,482 S * 1/2003 Lin D27/157
 D483,519 S 12/2003 Liu et al.
 D492,064 S 6/2004 Fritz
 D498,330 S * 11/2004 Koike D27/157
 D499,508 S * 12/2004 Park D27/143
 D502,567 S 3/2005 Xu
 D504,975 S 5/2005 Xu
 D515,731 S * 2/2006 Smith D27/142
 D528,247 S 9/2006 Smith
 D529,225 S 9/2006 Rich
 D529,227 S * 9/2006 Smith D27/143
 D538,469 S * 3/2007 Xu D27/157
 D587,399 S 2/2009 Praudel et al.
 D588,740 S 3/2009 Maruyama
 7,695,274 B2 4/2010 Caruso, II
 2003/0044247 A1 * 3/2003 Wolfe B23B 41/02
 408/1 R

OTHER PUBLICATIONS

“Flashpoint Knife”, from Buck® Knives, product advertisement published online prior to Jul. 27, downloaded from www.buckknives.com/product/flashpoint-knife, (4 pages).

* cited by examiner

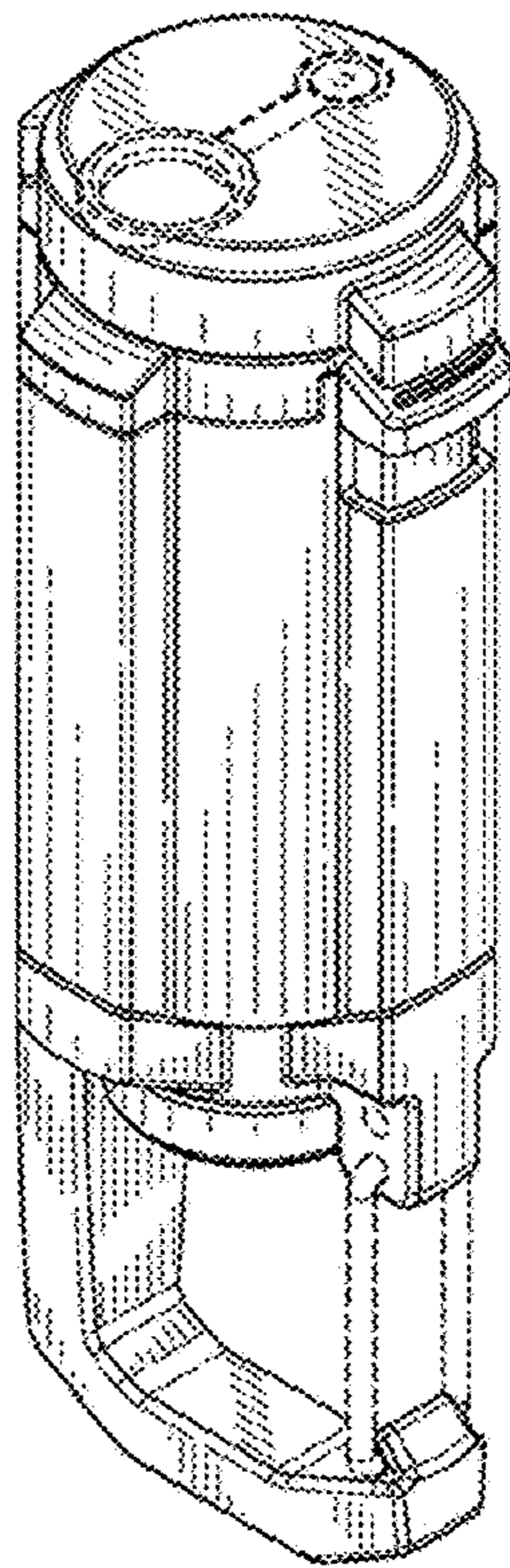


FIG. 1

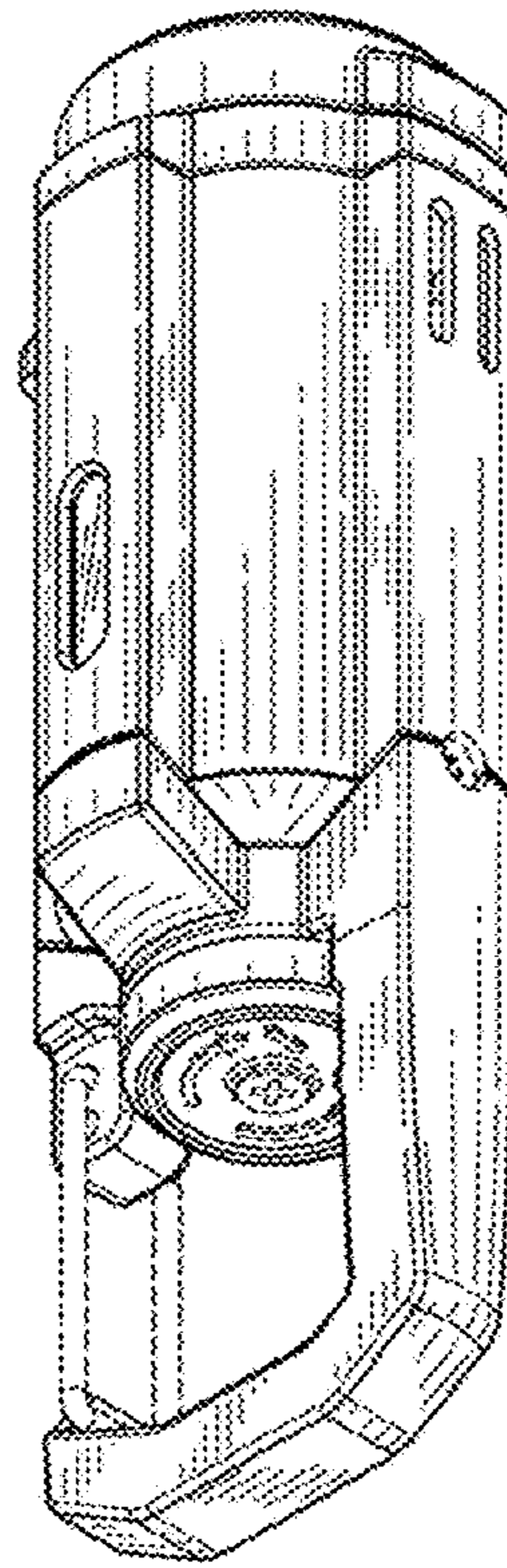


FIG. 2

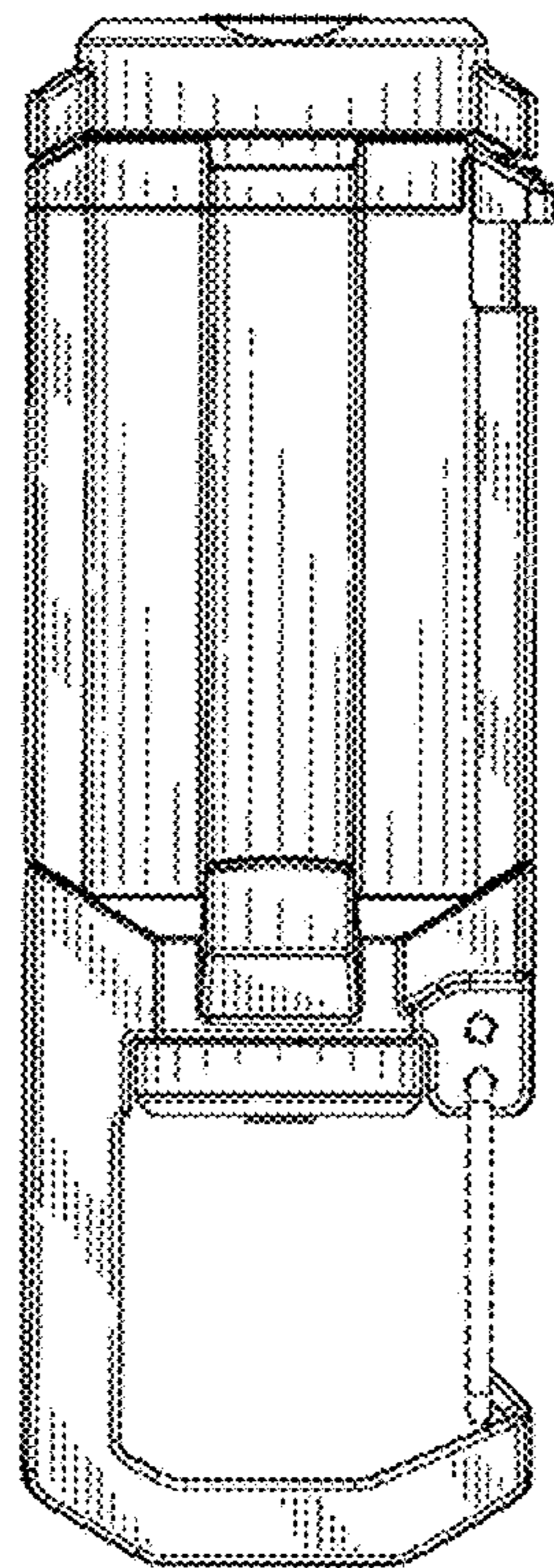


FIG. 3

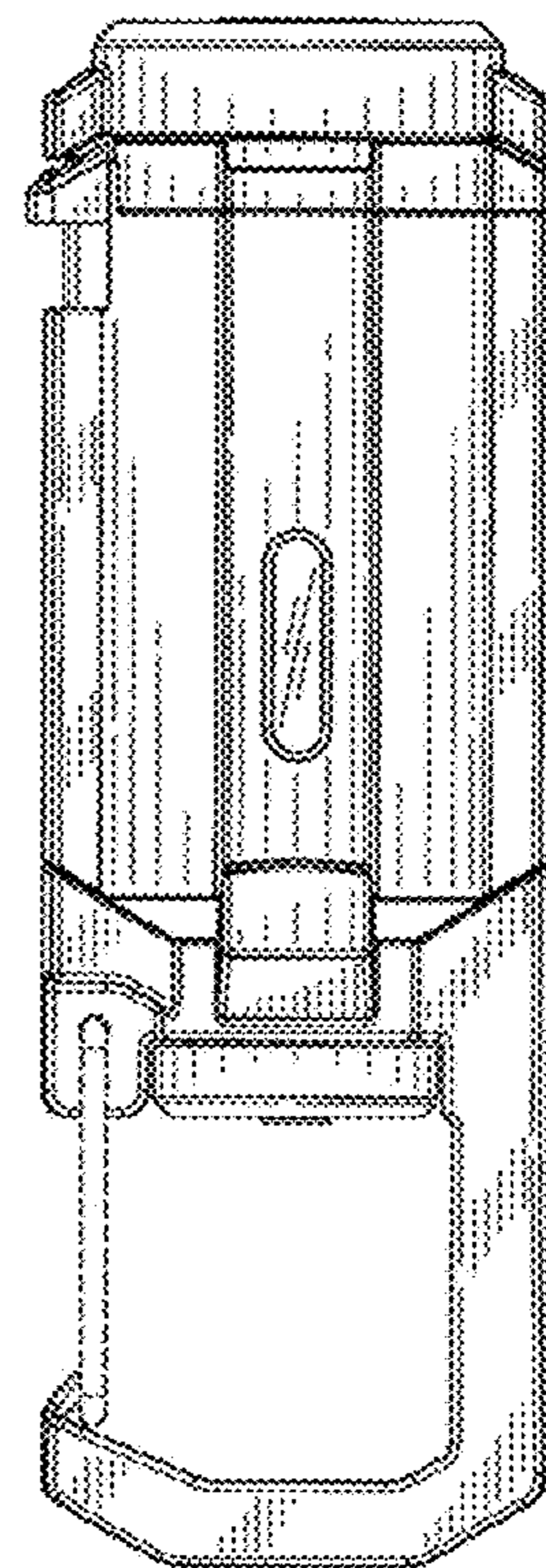


FIG. 4

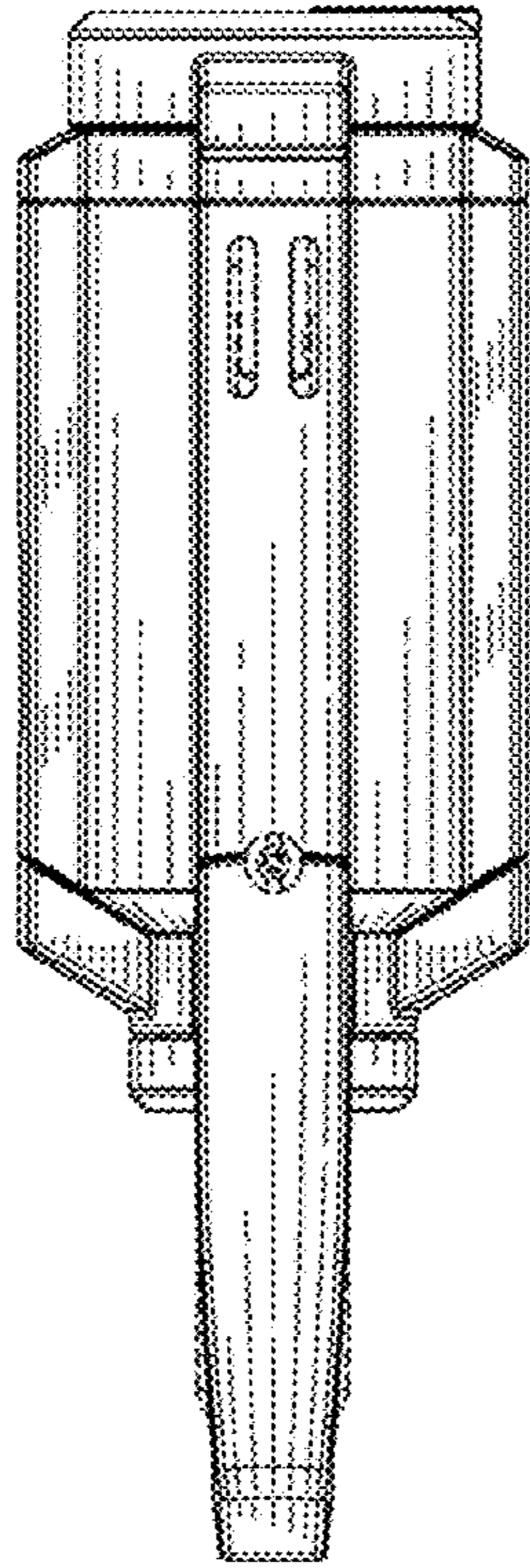


FIG. 5

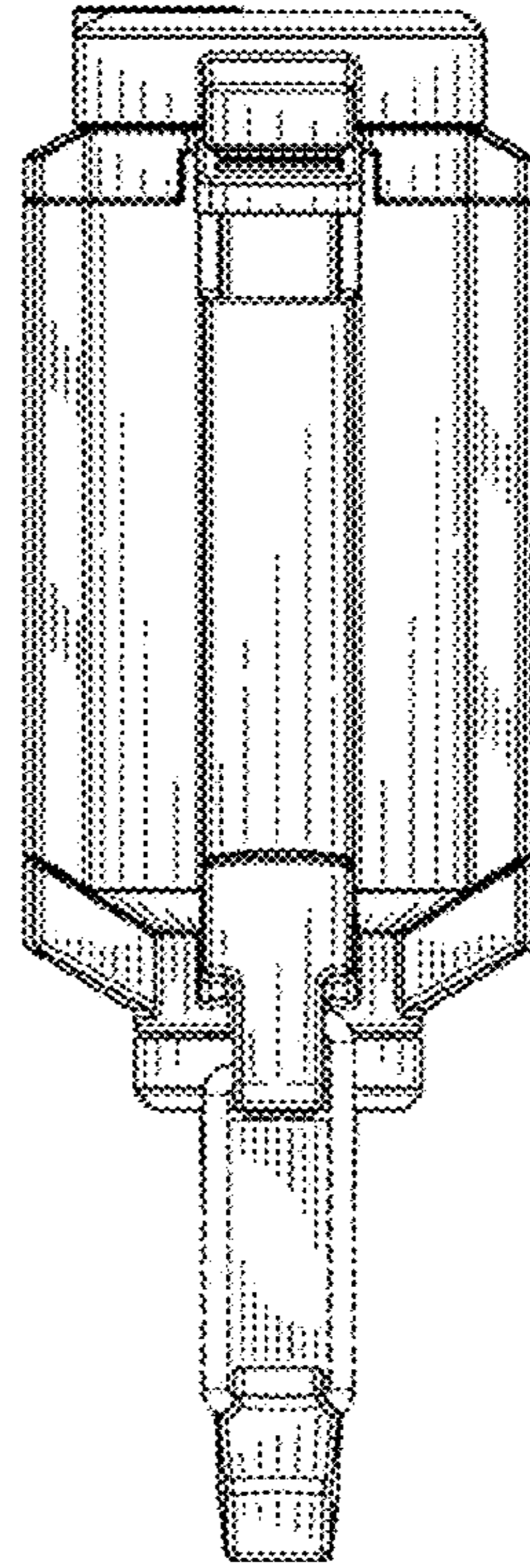


FIG. 6

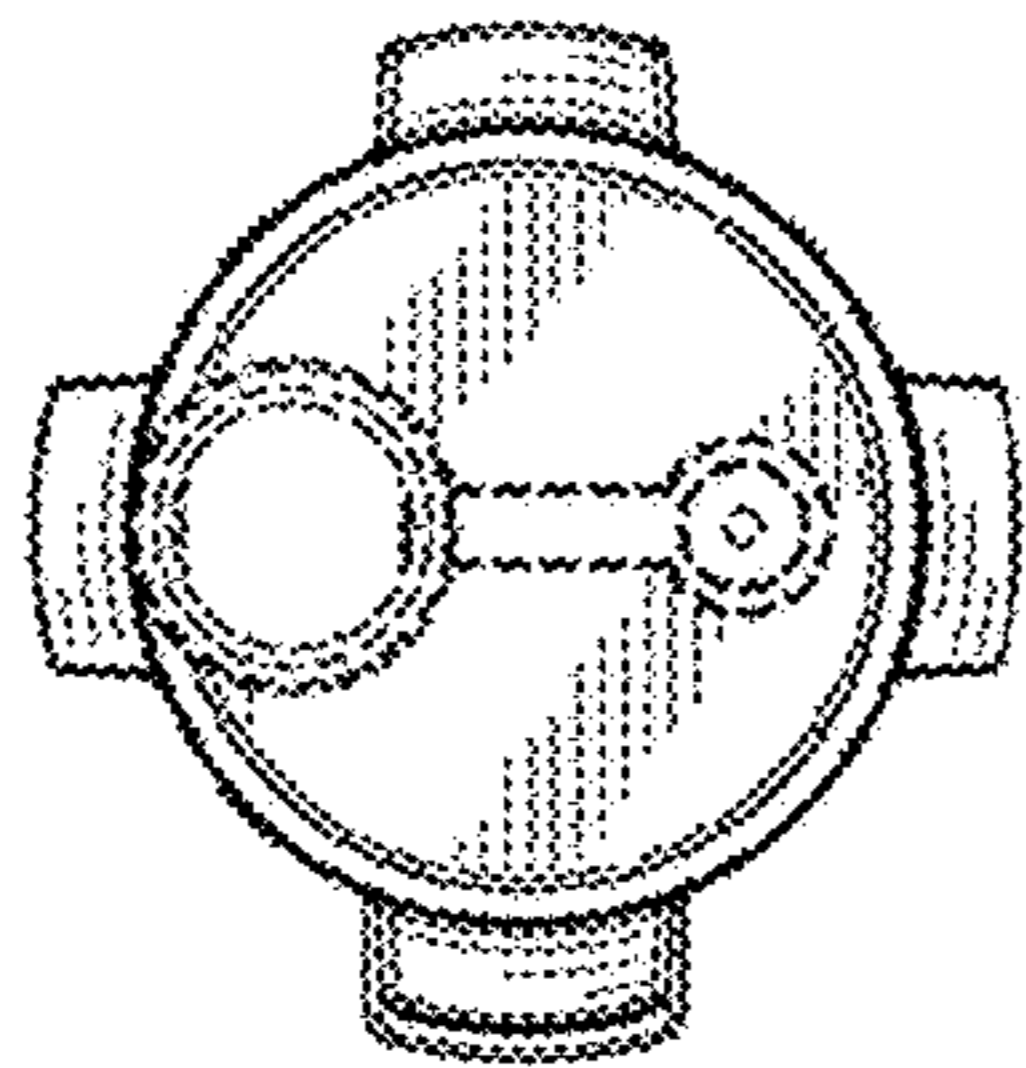


FIG. 7

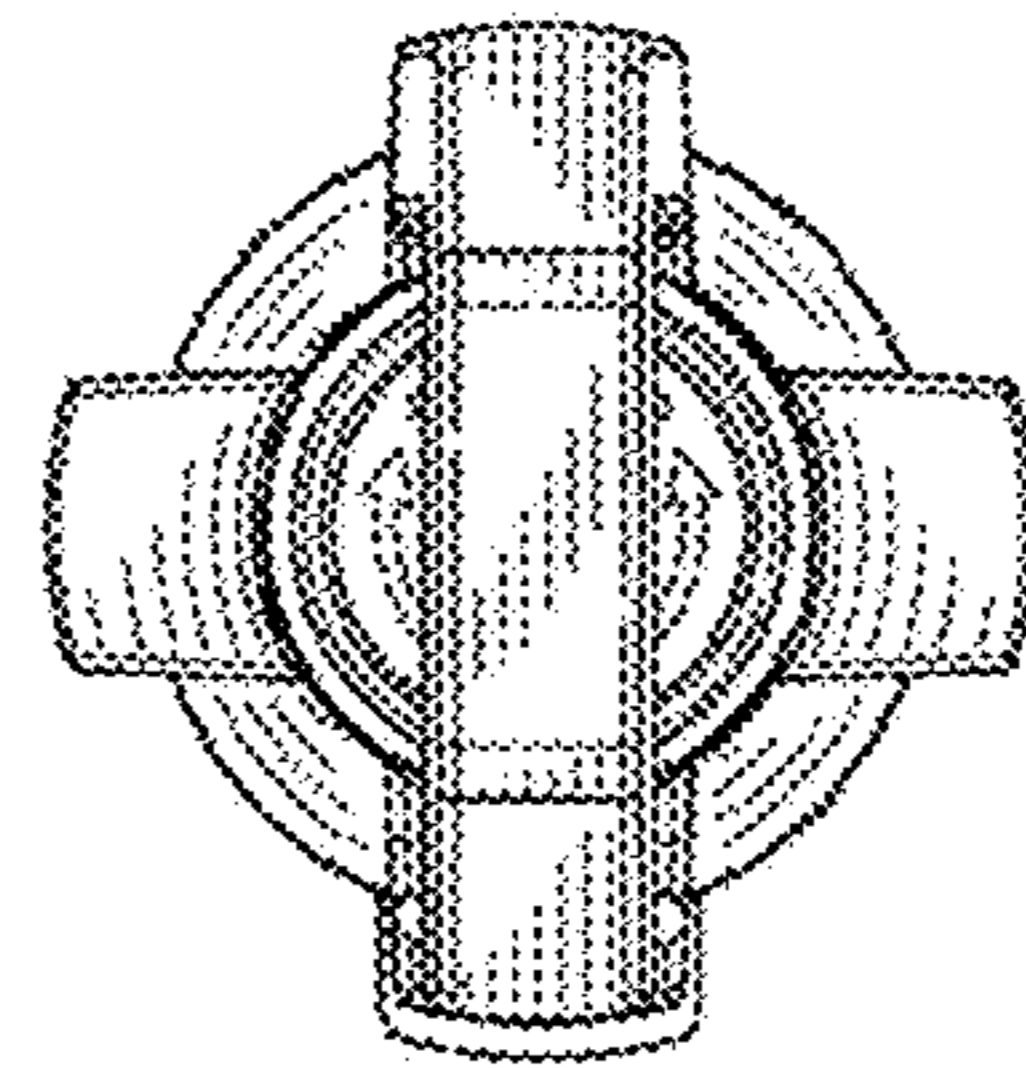


FIG. 8

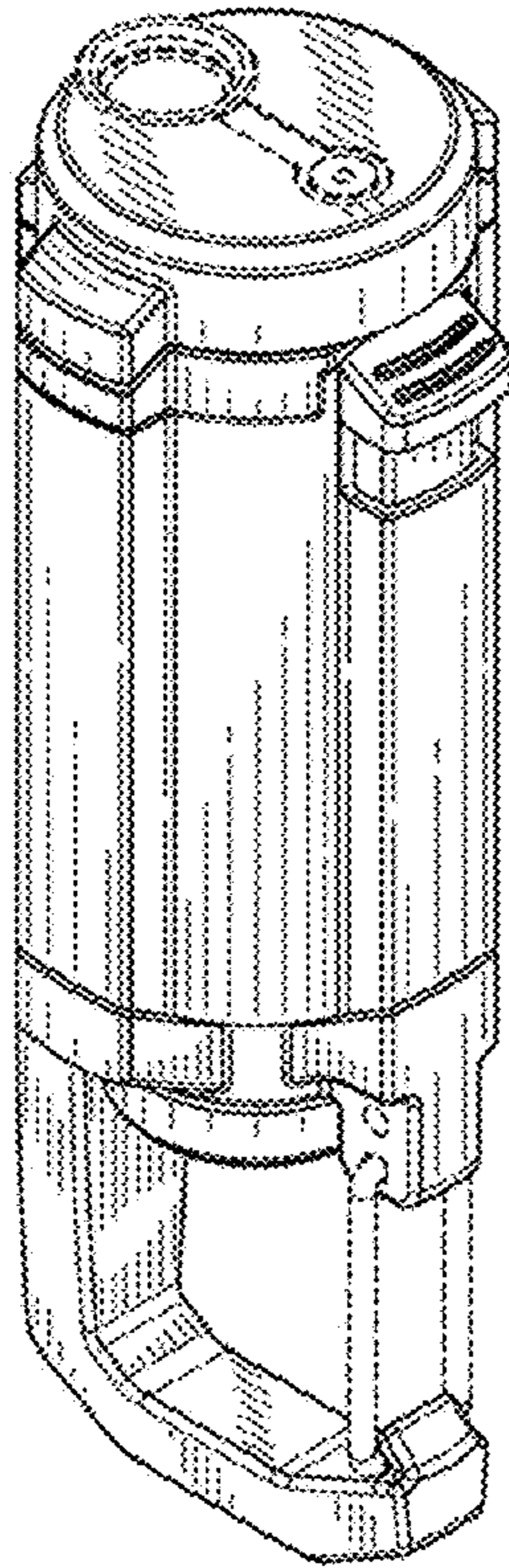


FIG. 9

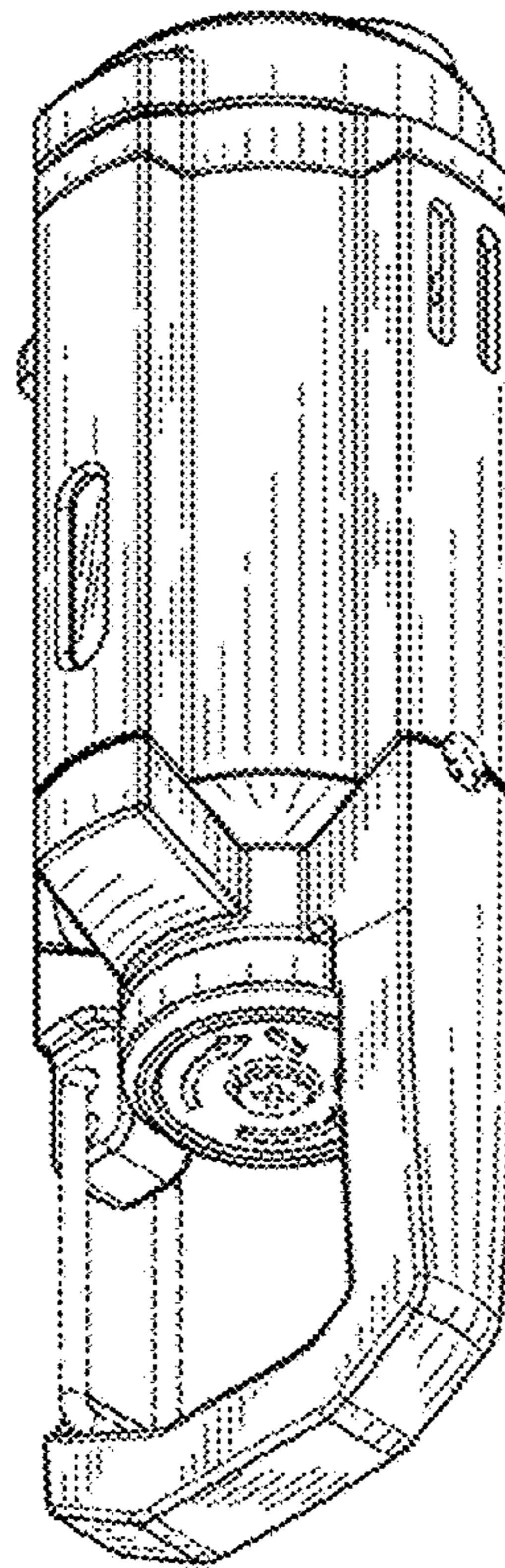


FIG. 10

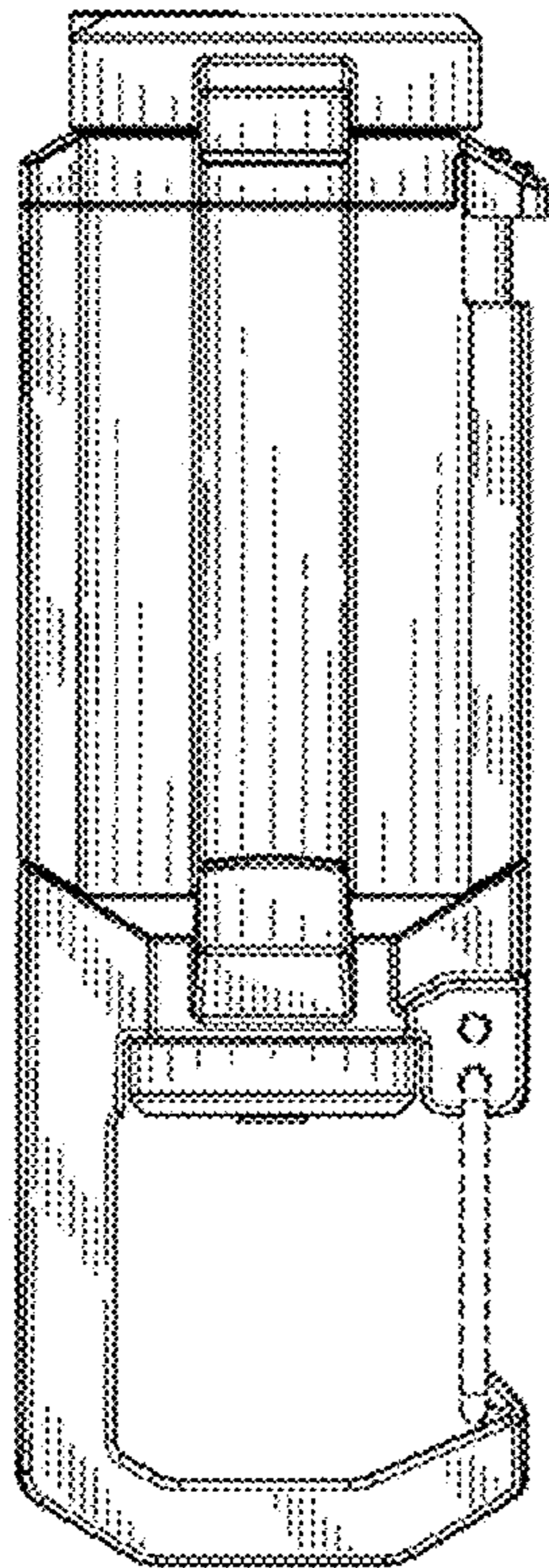


FIG. 11

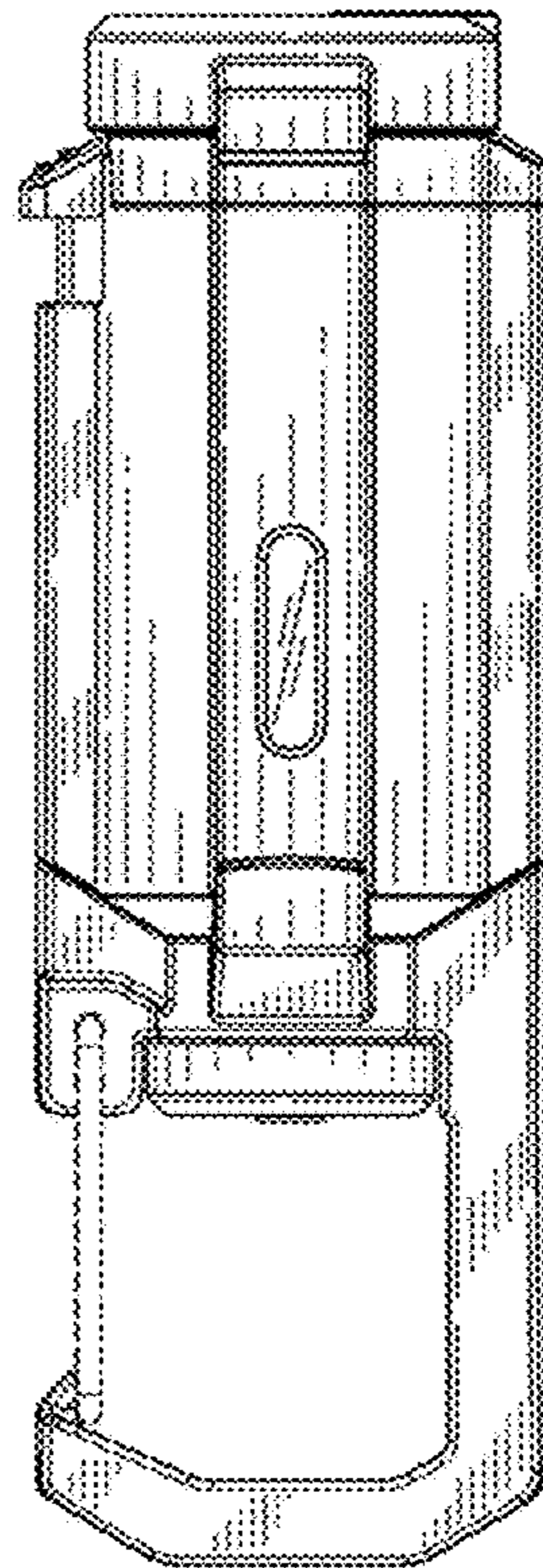


FIG. 12

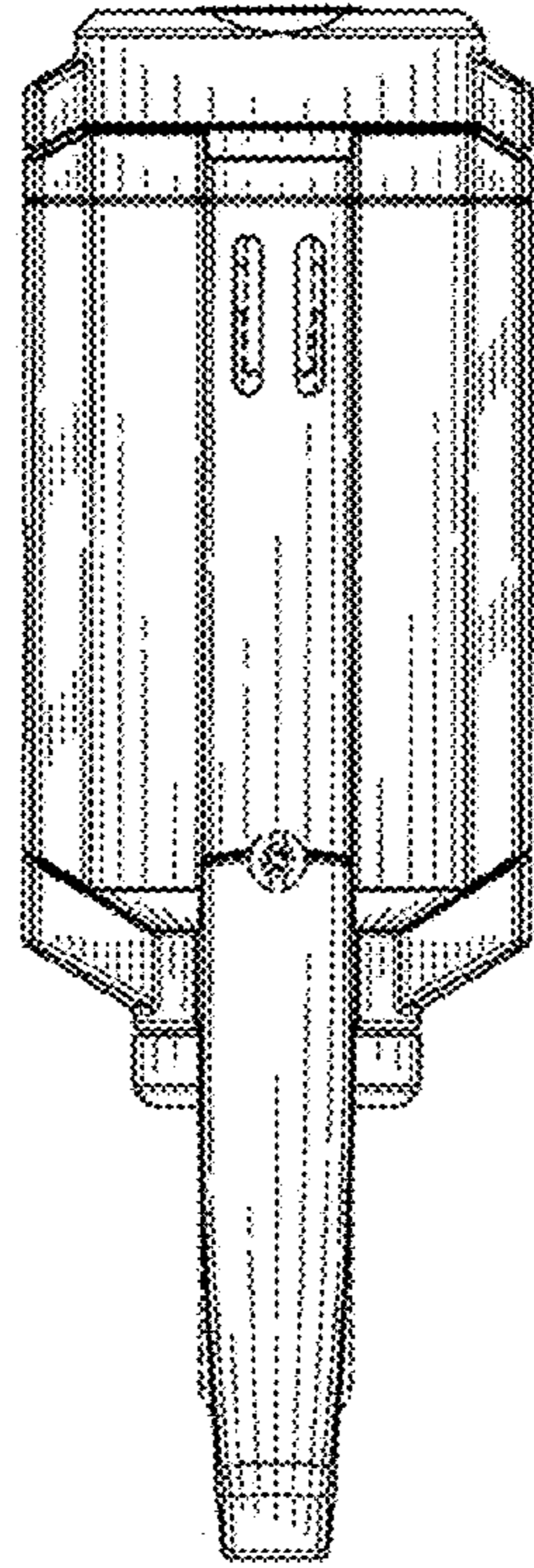


FIG. 13

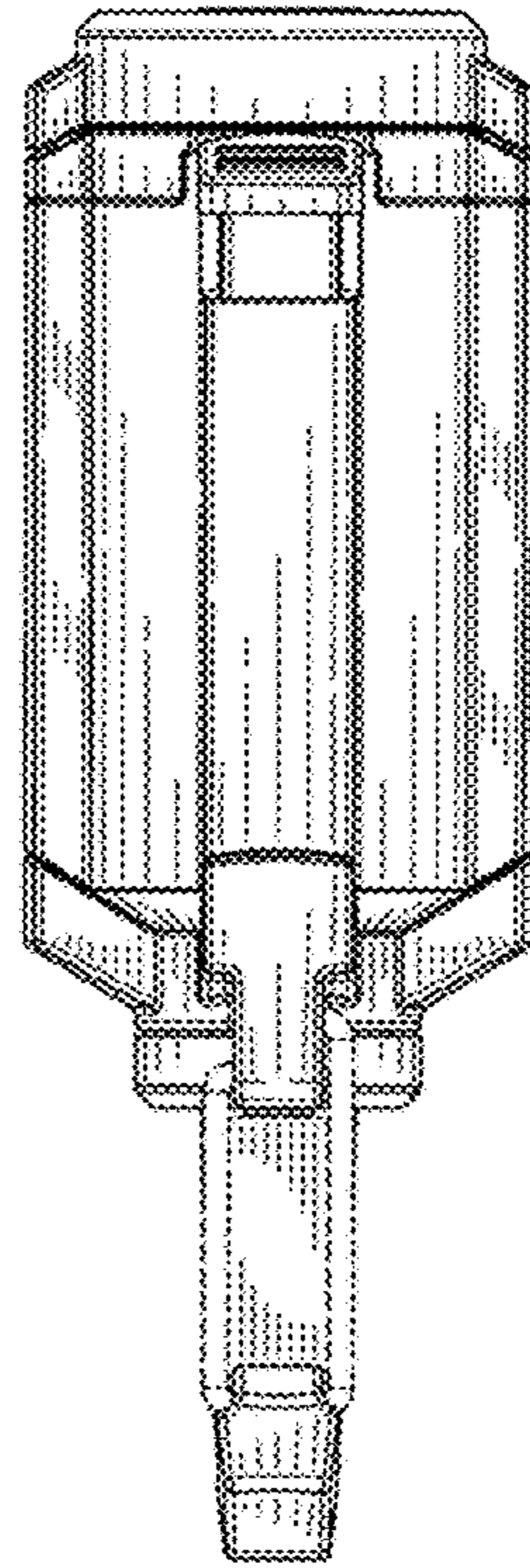


FIG. 14

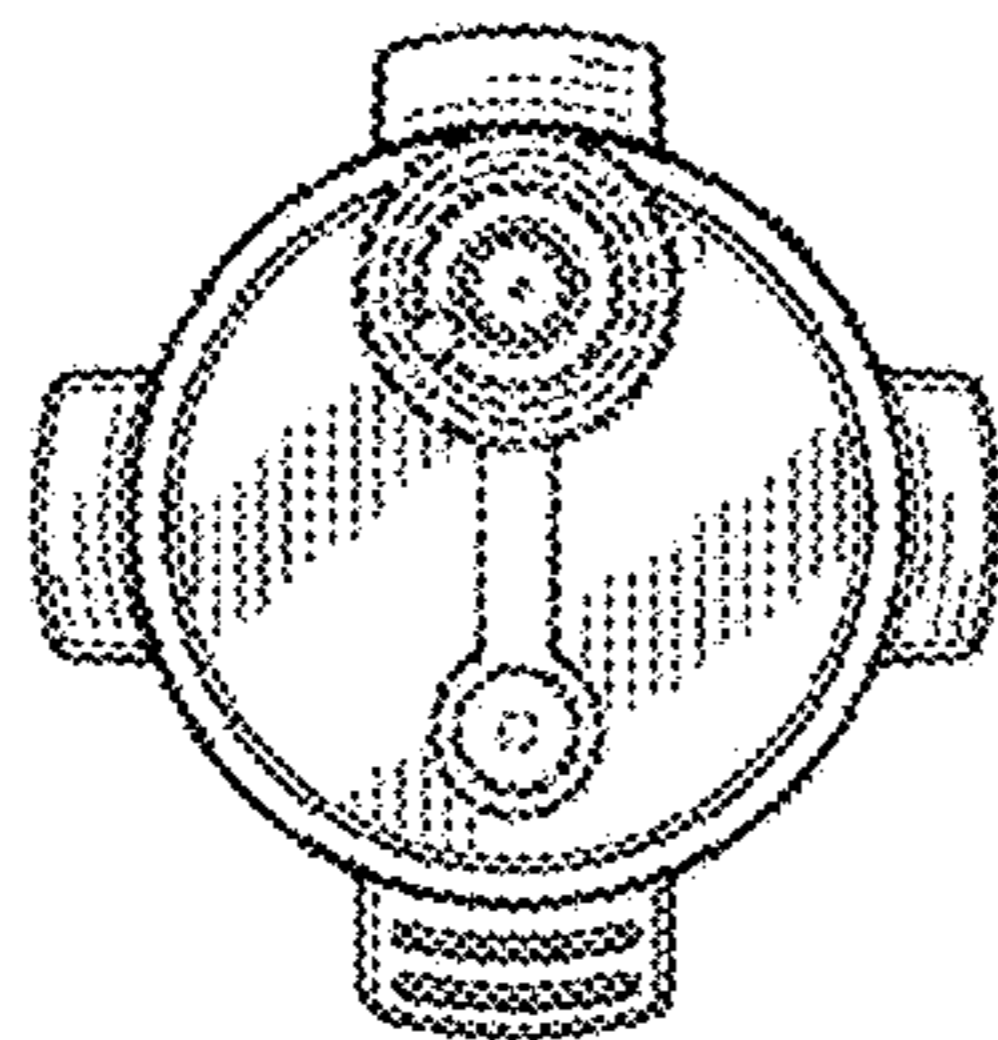


FIG. 15

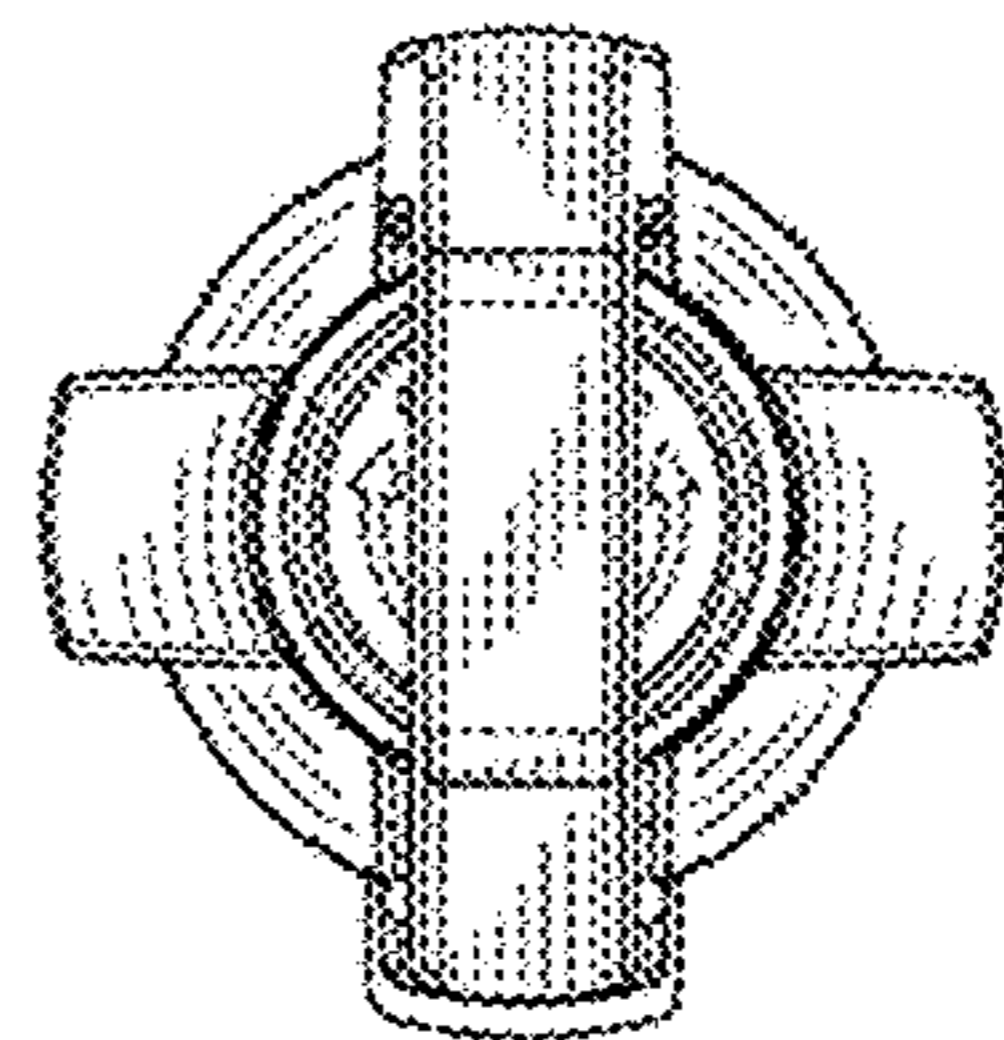


FIG. 16