



US00D845364S

(12) **United States Design Patent**
Stewart et al.

(10) **Patent No.:** **US D845,364 S**
(45) **Date of Patent:** **** Apr. 9, 2019**

(54) **TORCH HAVING AN EXTENDABLE ARM**

(71) Applicant: **WORTHINGTON TORCH, LLC**,
Columbus, OH (US)

(72) Inventors: **Shea Michael Stewart**, Columbus, OH
(US); **Cliff Ryan Walters**, Westerville,
OH (US); **Donald James Staufenberg**,
Dublin, OH (US); **Luke Christopher**
Stonis, Columbus, OH (US)

(73) Assignee: **WORTHINGTON TORCH, LLC**,
Columbus, OH (US)

(**) Term: **15 Years**

(21) Appl. No.: **29/570,490**

(22) Filed: **Jul. 8, 2016**

(51) **LOC (11) Cl.** **15-09**

(52) **U.S. Cl.**
USPC **D15/144; D27/154**

(58) **Field of Classification Search**
USPC D8/95, 96, 97, 98, 99, 105, 107;
 D15/144; D27/154, 157
(Continued)

(56) **References Cited**

U.S. PATENT DOCUMENTS

1,886,461 A * 11/1932 Berman F23Q 2/02
 431/141
2,554,366 A * 5/1951 Jones F23Q 2/06
 431/142

(Continued)

OTHER PUBLICATIONS

“Scripto® Folding Utility Lighter”, from Calico Brands, Inc.,
product advertisement published online prior to Jul. 8, 2016, down-
loaded from www.calicobrand.com/folding-utility-lighter, (2 pages).

(Continued)

Primary Examiner — Patricia A Palasik

(74) *Attorney, Agent, or Firm* — Daniel F. Nesbitt; Hasse
& Nesbitt LLC

(57) **CLAIM**

We claim the ornamental design for a torch having an
extendable arm, as shown and described.

DESCRIPTION

FIG. 1 is a top, front, and left side perspective view of a torch
having an extendable arm, wherein the extendable arm is in
a stored position;
FIG. 2 is a bottom perspective view thereof;
FIG. 3 is a top plan view thereof;
FIG. 4 is a left side elevational view thereof;
FIG. 5 is a right side elevational view thereof;
FIG. 6 is a bottom plan view thereof;
FIG. 7 is a front side elevational view thereof;
FIG. 8 is back side elevational view thereof;
FIG. 9 is a top, front, and left side perspective view of the
torch, wherein the extendable arm has been extended fully
to a first extended position;
FIG. 10 is bottom perspective view of the torch of FIG. 9;
FIG. 11 is a left side elevational view of the torch of FIG. 9;
FIG. 12 is a right side elevational view of the torch of FIG.
9;
FIG. 13 is a front side elevational view of the torch of FIG.
9;
FIG. 14 is a back side elevational view of the torch of FIG.
9;
FIG. 15 is a top plan view of the torch of FIG. 9;
FIG. 16 is a bottom plan view of the torch of FIG. 9;
FIG. 17 is a top, front, and left side perspective view of the
torch, wherein the extendable arm has been extended par-
tially to a second extended position;
FIG. 18 is a bottom perspective view of the torch of FIG. 17;
FIG. 19 is a left side elevational view of the torch of FIG.
17;
FIG. 20 is a right side elevational view of the torch of FIG.
17;
FIG. 21 is a front side elevational view of the torch of FIG.
17;
FIG. 22 is a back side elevational view of the torch of FIG.
17;

(Continued)

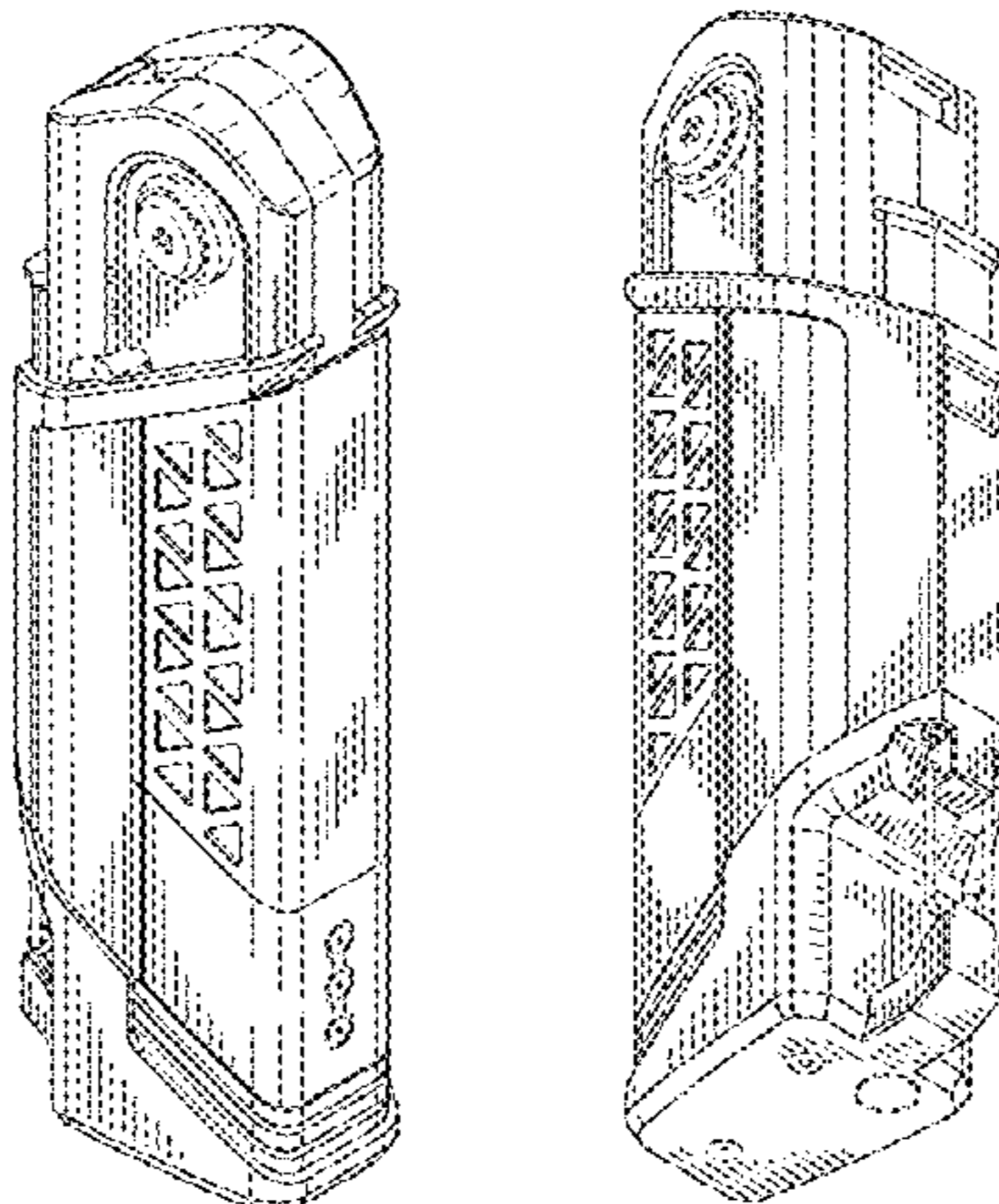


FIG. 23 is a top plan view of the torch of FIG. 17; and, FIG. 24 is a bottom plan view of the torch of FIG. 17. The broken lines in the drawings depict portions of the torch having an extendable arm which form no part of the claimed design.

1 Claim, 11 Drawing Sheets

(58) Field of Classification Search

CPC . B23D 51/03; B23K 5/00; B23K 7/00; B23K 9/00; B23K 9/28; B23K 9/32; B26B 1/00; B26B 1/04

See application file for complete search history.

(56) References Cited

U.S. PATENT DOCUMENTS

D167,661	S	*	9/1952	Treis, Jr.	D27/157
D168,009	S	*	10/1952	Woofter	D27/154
D208,662	S	*	9/1967	Yoshino	D27/154
D221,402	S	*	8/1971	Hayaashi	D27/154
D230,424	S	*	2/1974	Racek	D27/154
4,918,820	A	*	4/1990	Korb	B23D 51/01 30/155
D310,427	S	*	9/1990	Nitta	D27/154
D326,682	S	*	6/1992	Kimura	401/202
D347,643	S	*	6/1994	Burgin	D15/142
D357,166	S	*	4/1995	Concari	D8/107
D361,863	S	*	8/1995	Motobayashi	D27/154
D376,870	S	*	12/1996	Ichikawa	D27/157
D393,328	S	*	4/1998	Inoue	D27/154
D397,499	S	*	8/1998	Saito	D27/154
D403,807	S	*	1/1999	Fontaine, Jr.	D27/154
D405,917	S	*	2/1999	Suzuki	D27/154
D405,918	S	*	2/1999	Motobayashi	D27/157
D423,139	S	*	4/2000	Williamson	D27/142

D432,713	S	*	10/2000	Chen	D27/154
6,142,769	A	*	11/2000	Walker	B25F 1/04 362/119
D435,142	S	*	12/2000	Lee	D27/157
D444,912	S	*	7/2001	Xie	D27/157
D447,833	S	*	9/2001	Maruyama	D27/157
D453,585	S	*	2/2002	Walker, Jr.	D27/157
D455,520	S	*	4/2002	Wong	D27/157
D459,834	S	*	7/2002	Park	D27/143
D460,211	S	*	7/2002	Park	D27/143
D463,881	S	*	10/2002	Smith	D27/157
D468,482	S	*	1/2003	Lin	D27/157
6,648,630	B2		11/2003	Tse	
D498,330	S	*	11/2004	Koike	D27/157
D499,508	S	*	12/2004	Park	D27/143
D515,731	S	*	2/2006	Smith	D27/142
6,997,702	B1		2/2006	Chen	
D529,227	S	*	9/2006	Smith	D27/143
D538,469	S	*	3/2007	Xu	D27/157
7,563,094	B2		7/2009	Yang	
7,614,874	B2		11/2009	Mochizuki et al.	
7,637,736	B1		12/2009	Yang	
7,682,148	B2		3/2010	Mochizuki et al.	
7,748,977	B2		7/2010	Mochizuki et al.	
8,449,291	B2		5/2013	Tsai	
2003/0044247	A1	*	3/2003	Wolfe	B23B 41/02 408/1 R
2006/0073431	A1		4/2006	Brown	
2016/0018108	A1		1/2016	Rahbar	

OTHER PUBLICATIONS

“Luminere Candle Lighter” from BIC Corp., product advertisement published online prior to Jul. 8, 2016, downloaded from www.amazon.com/bic-luminere-candle-lighter-position, (1 page).
 “Tactical” from Scorch Torch Premium Lighters, product advertisement published online prior to Jul. 8, 2016, downloaded from www.scorchtorch.com/tactical, (1 page).

* cited by examiner

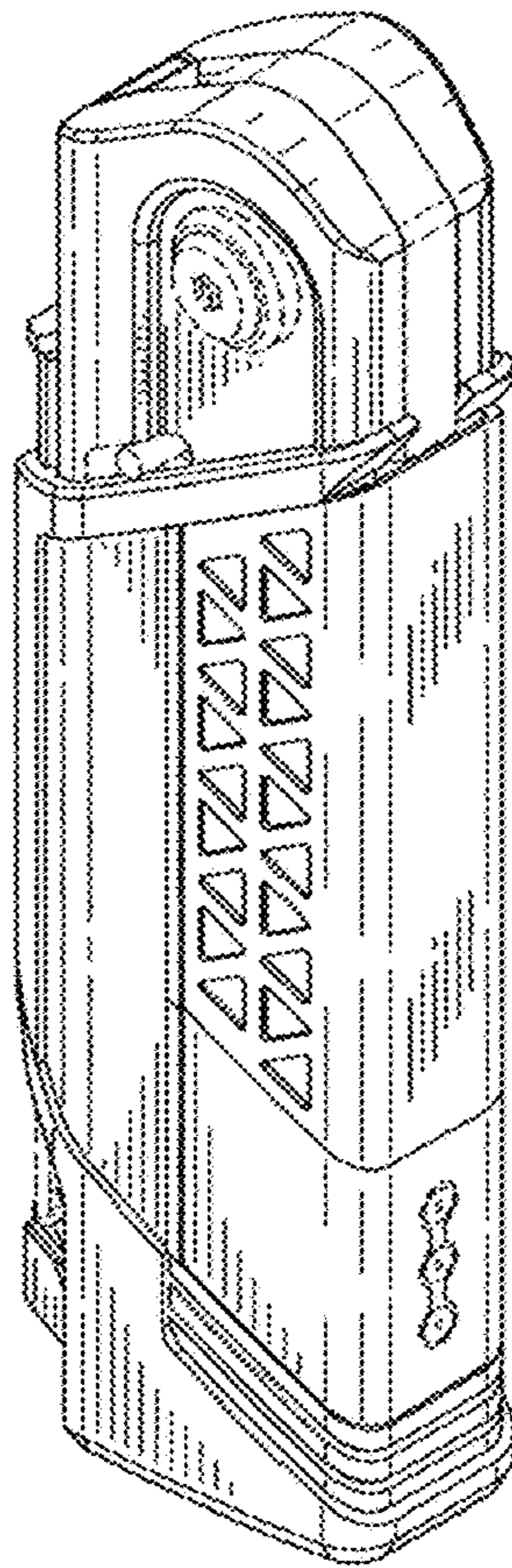


FIG. 1

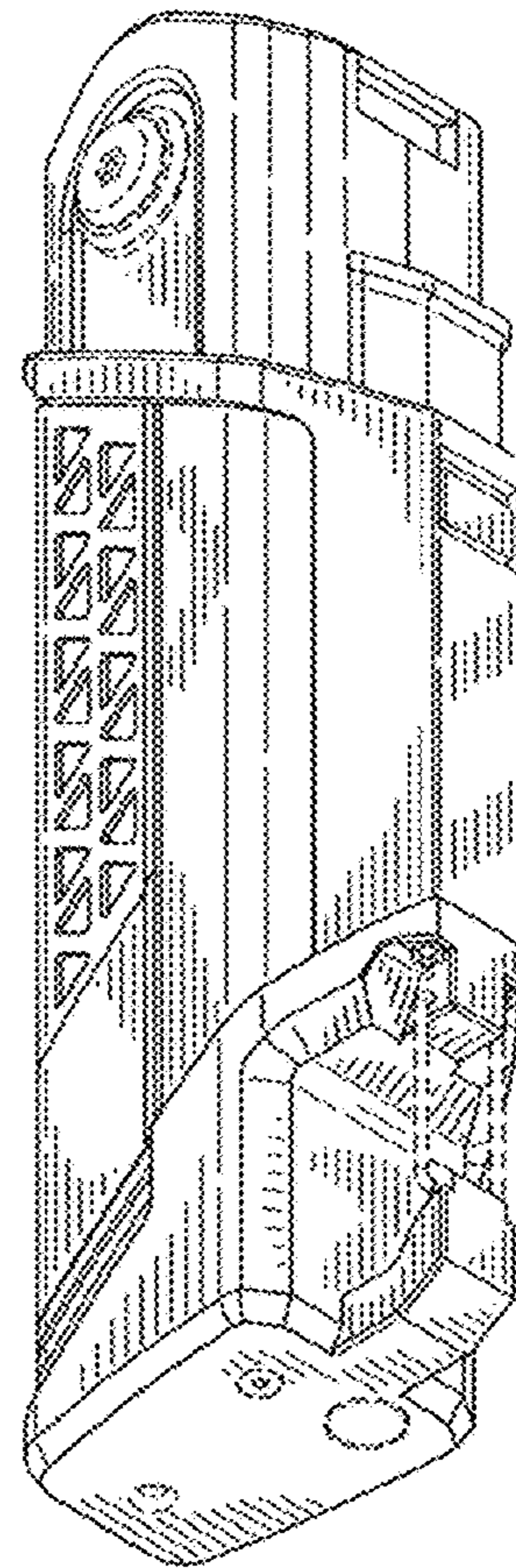


FIG. 2

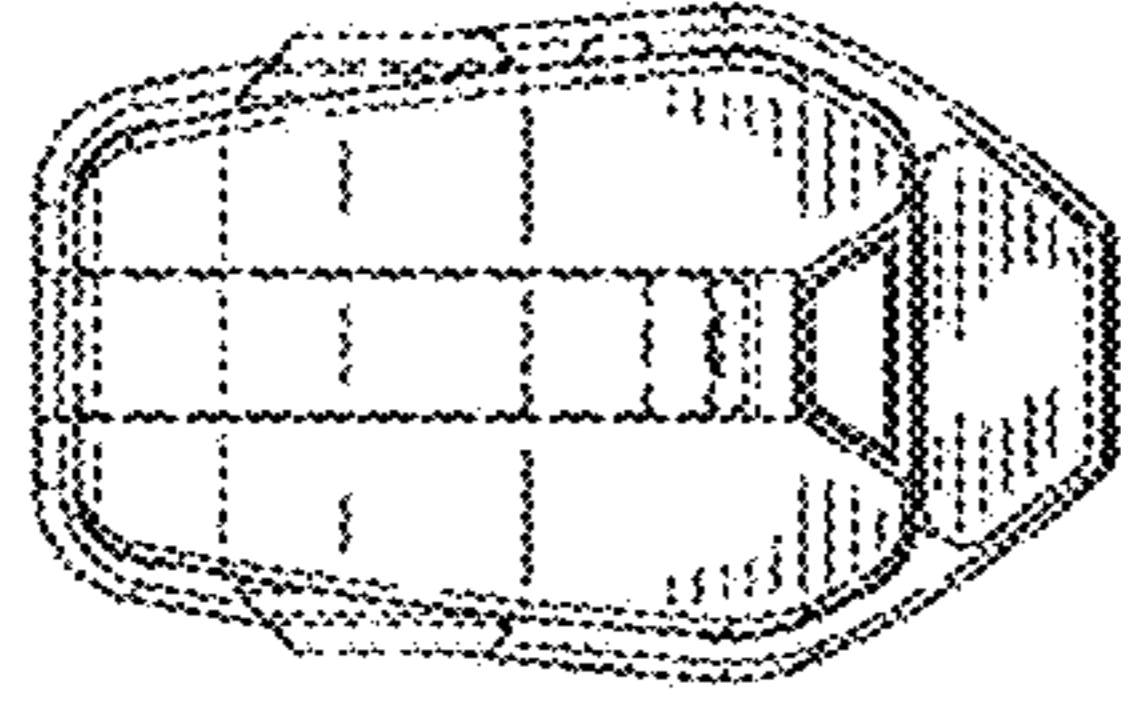


FIG. 3

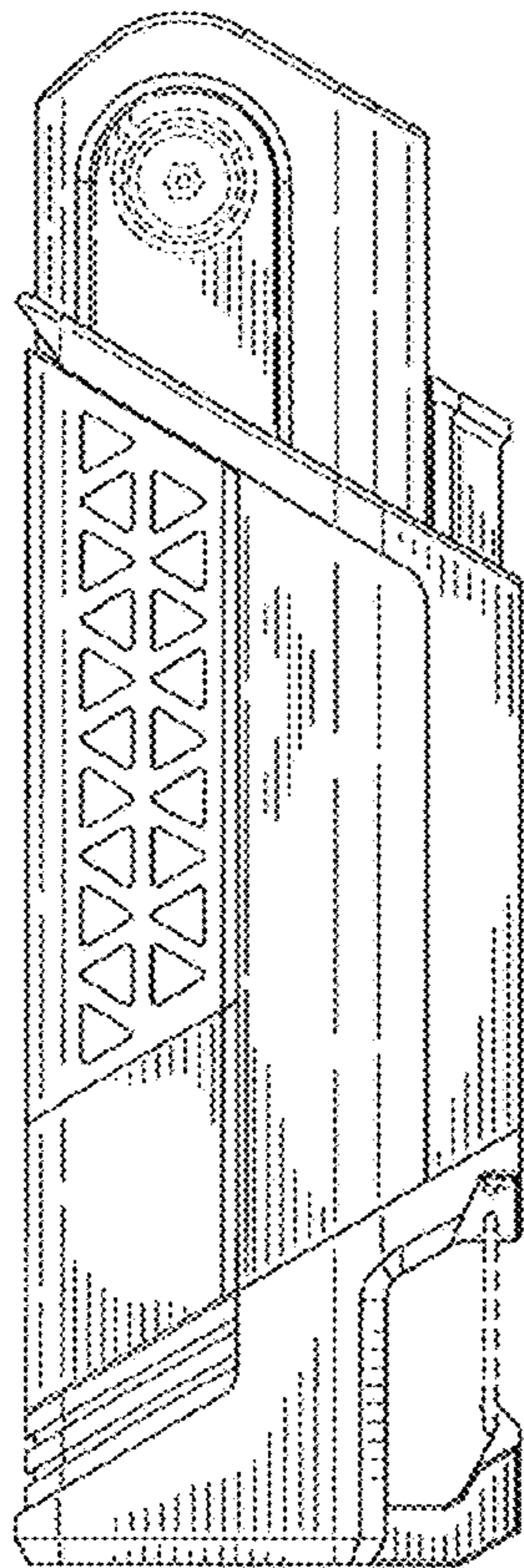


FIG. 4

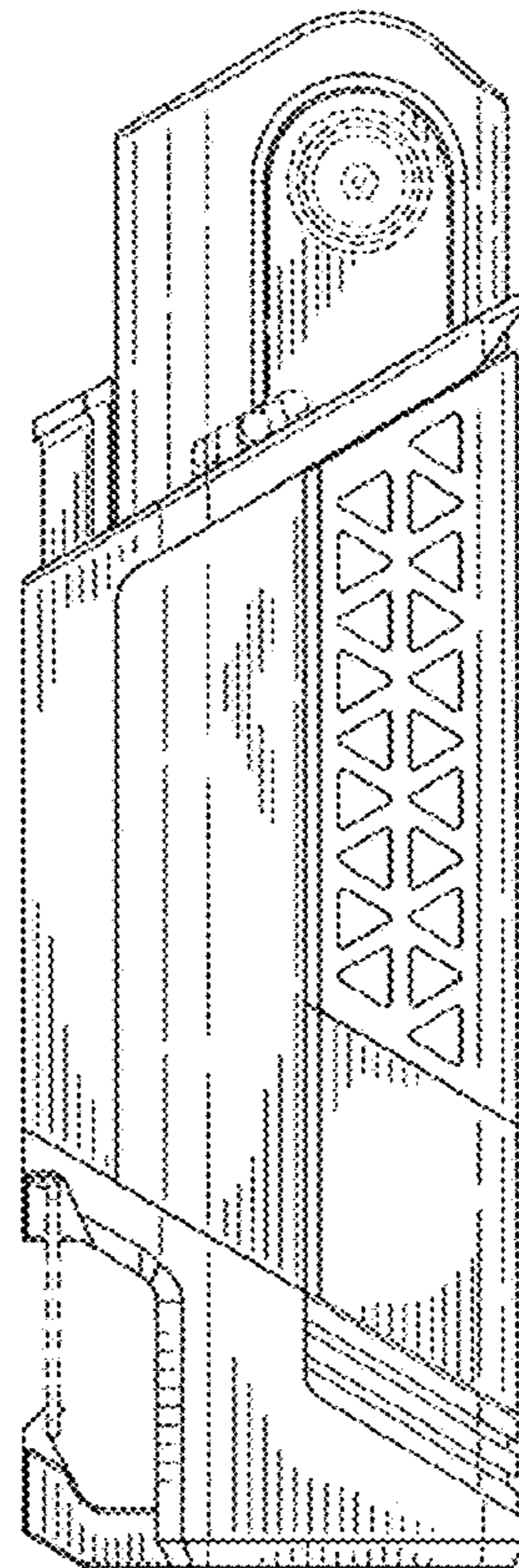


FIG. 5

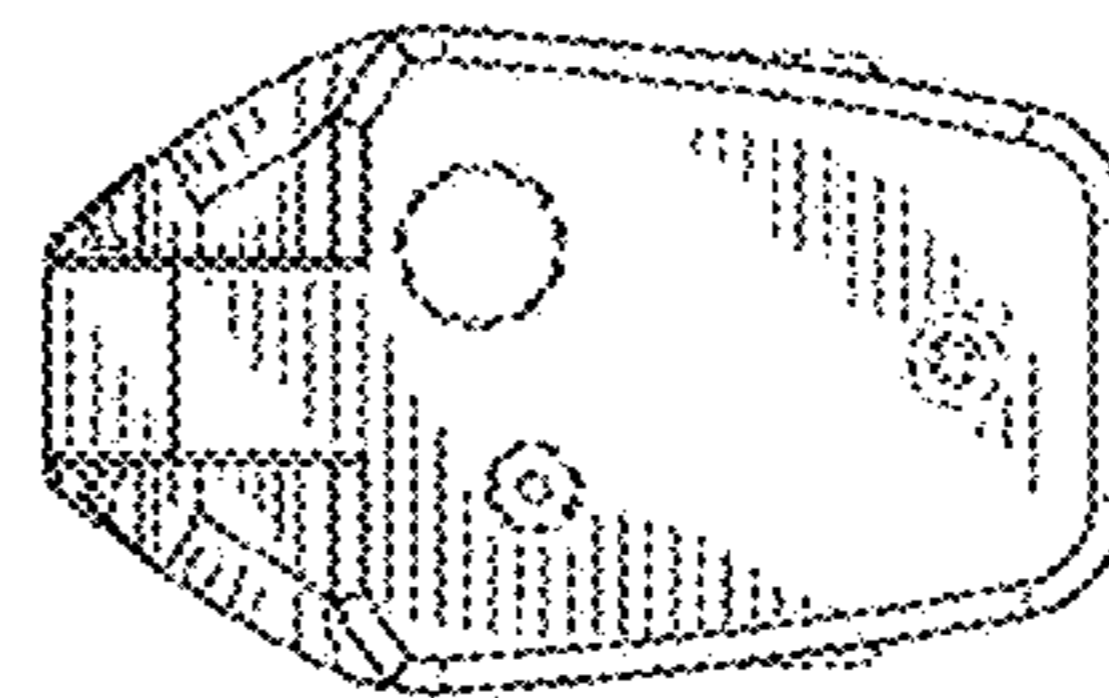


FIG. 6

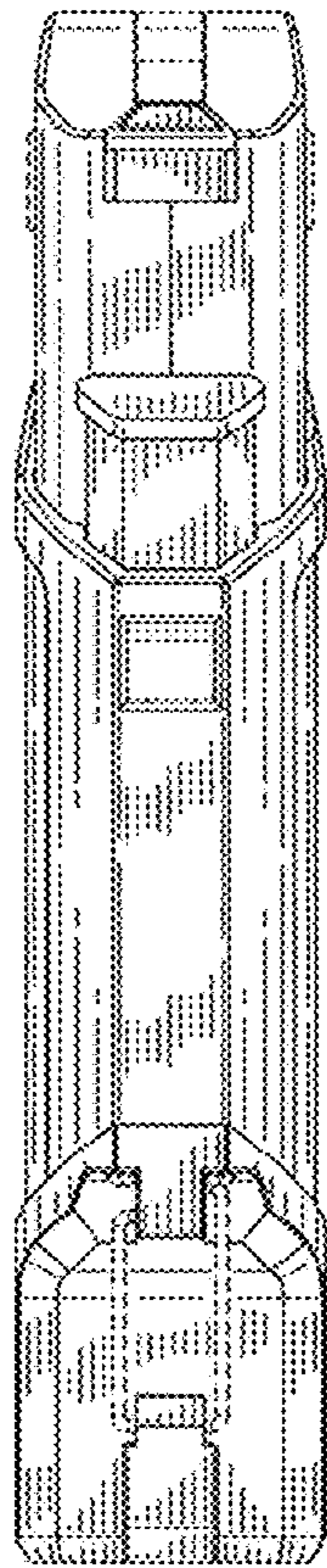


FIG. 7

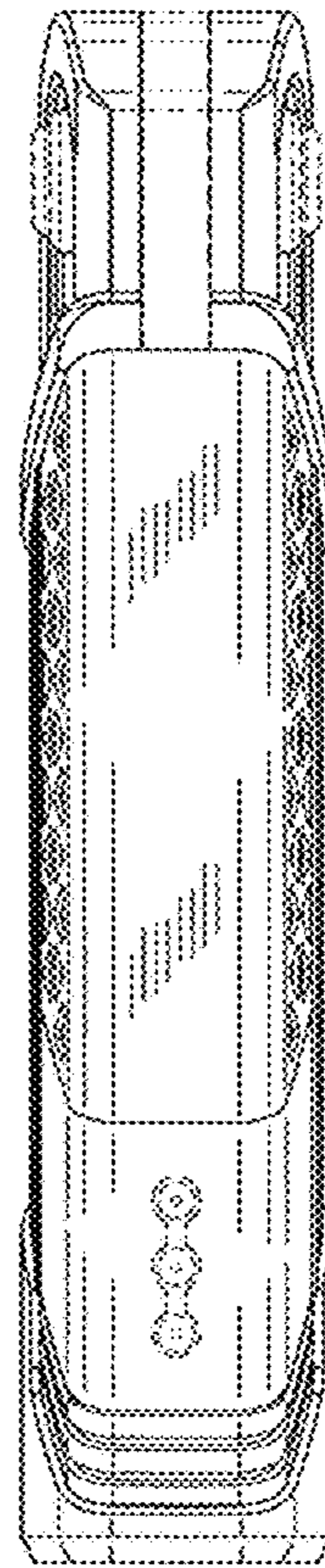


FIG. 8

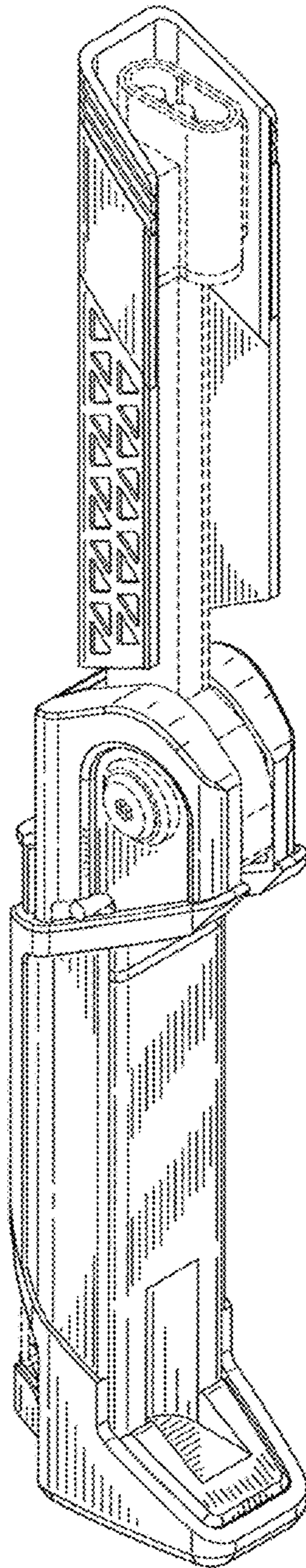


FIG. 9

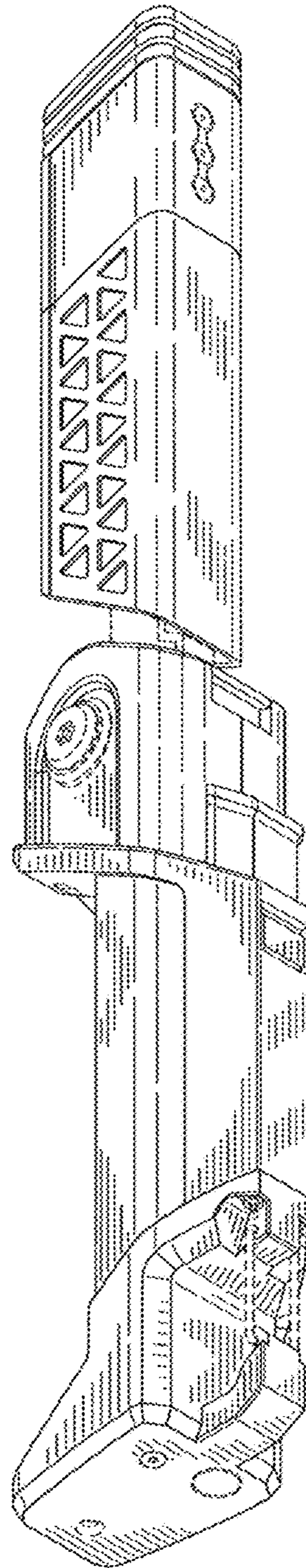


FIG. 10

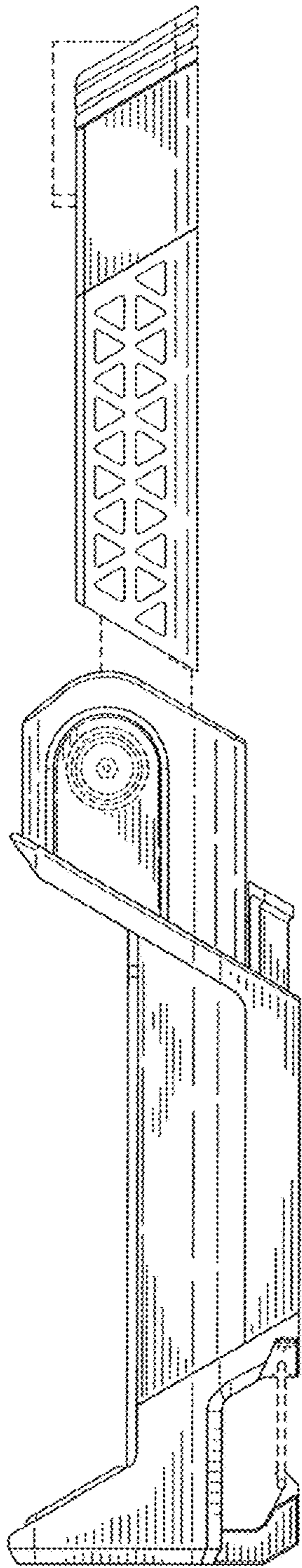


FIG. 11

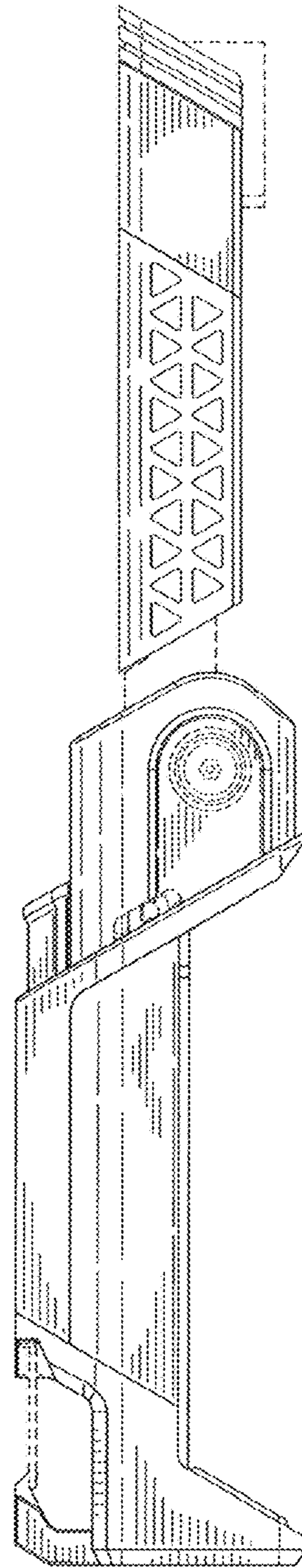


FIG. 12

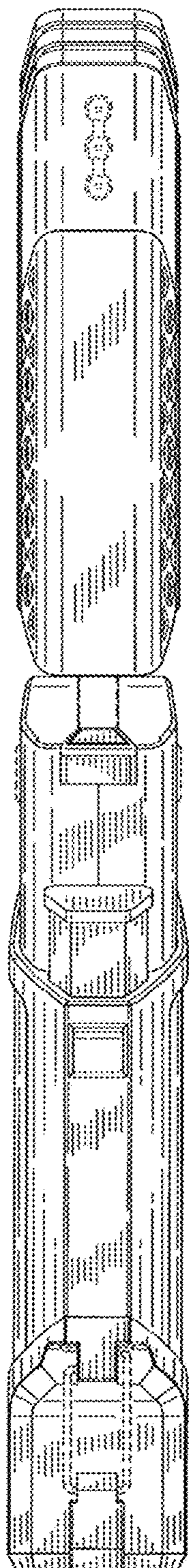


FIG. 13

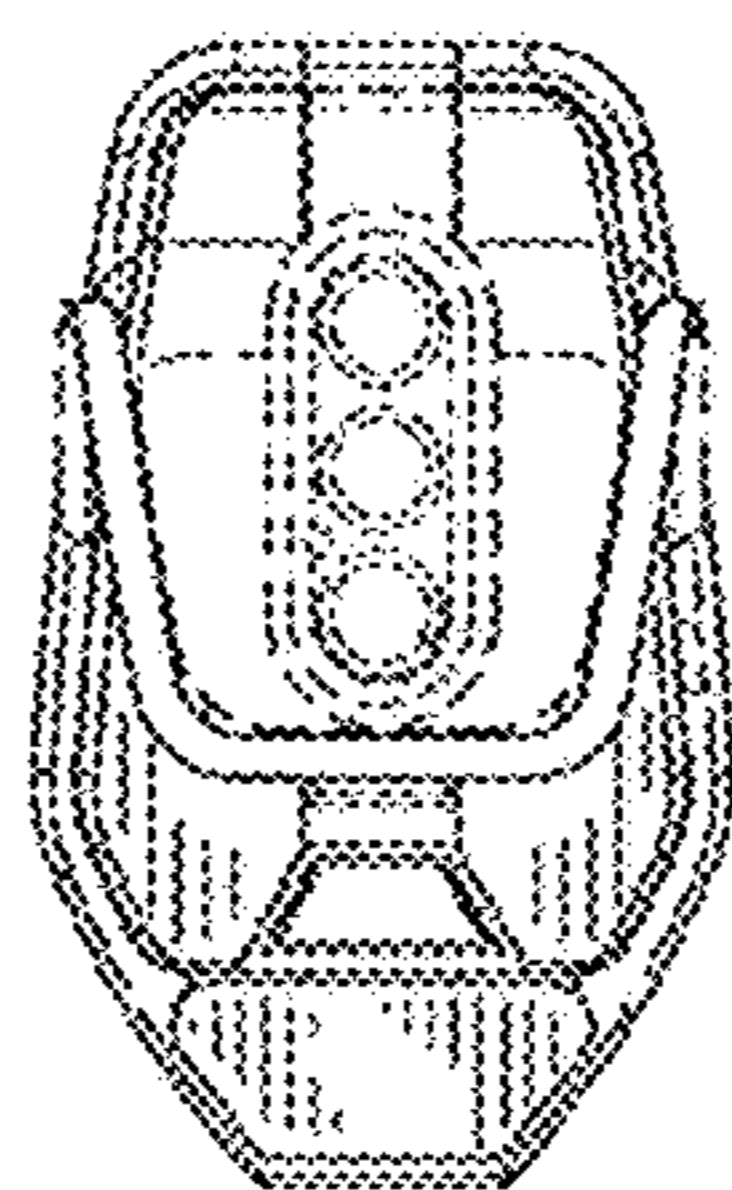


FIG. 15

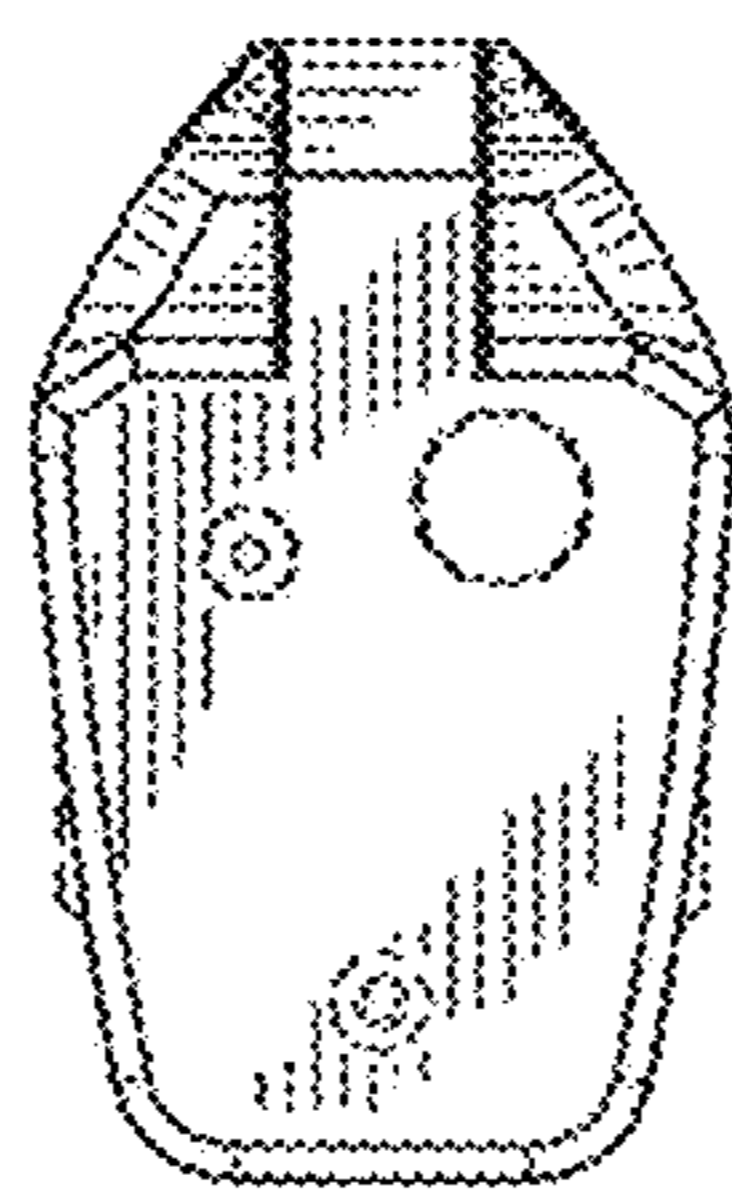


FIG. 16

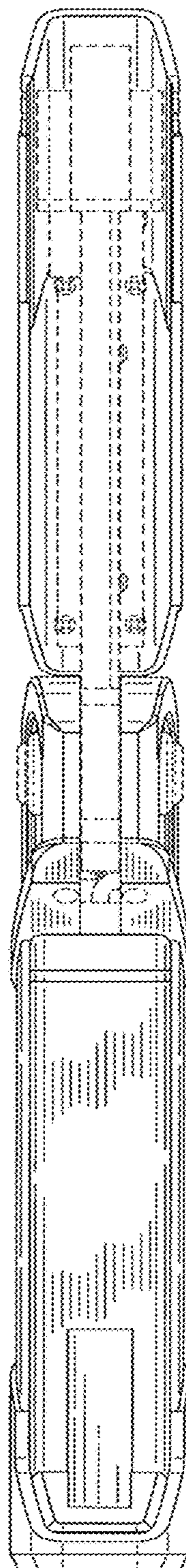


FIG. 14

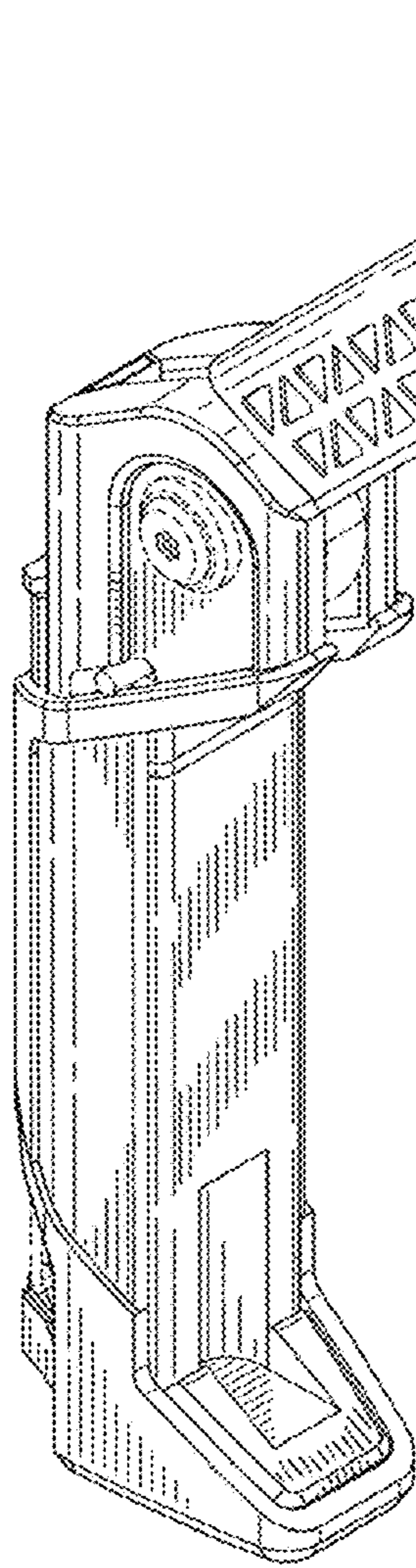


FIG. 17

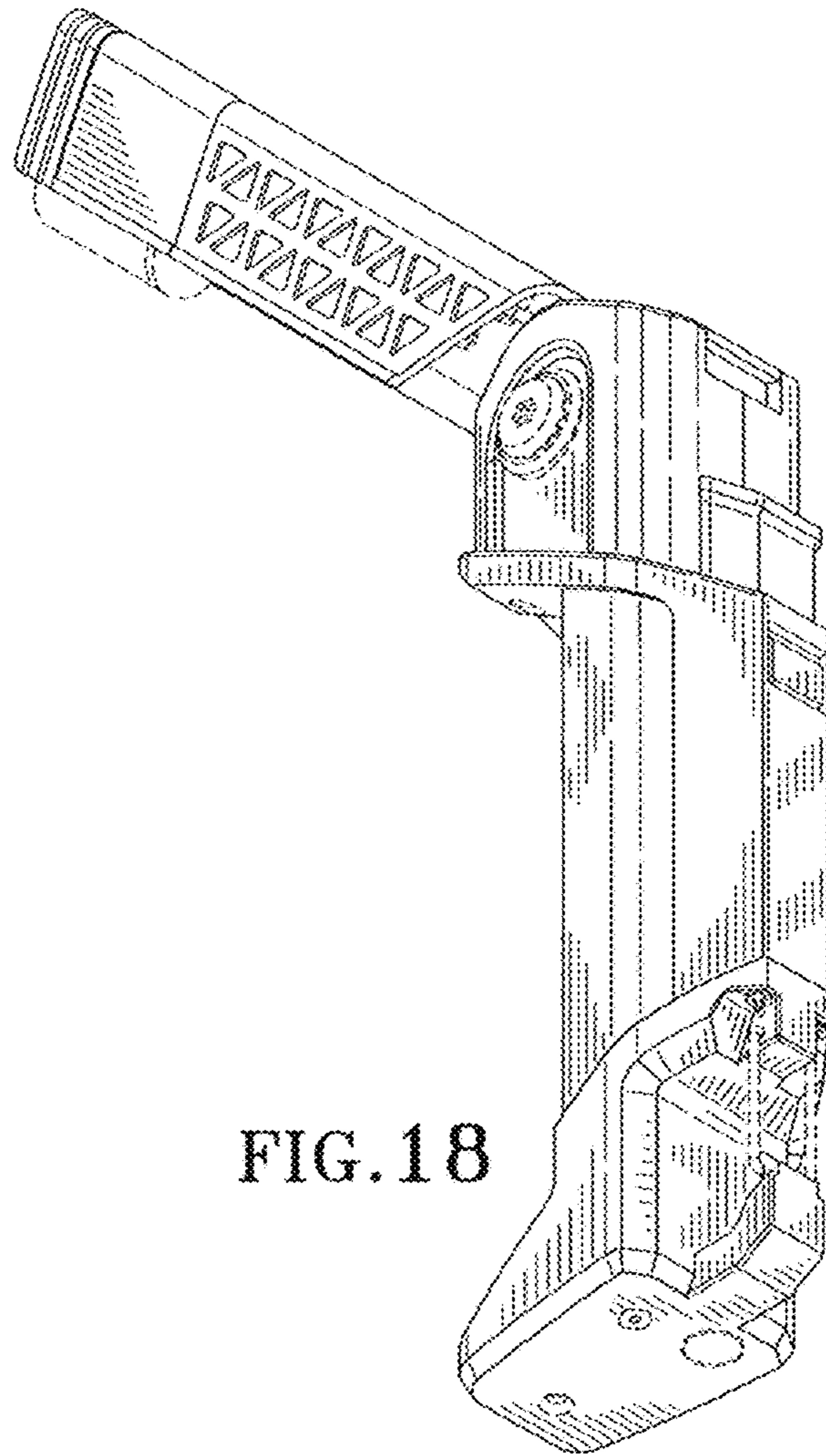


FIG. 18

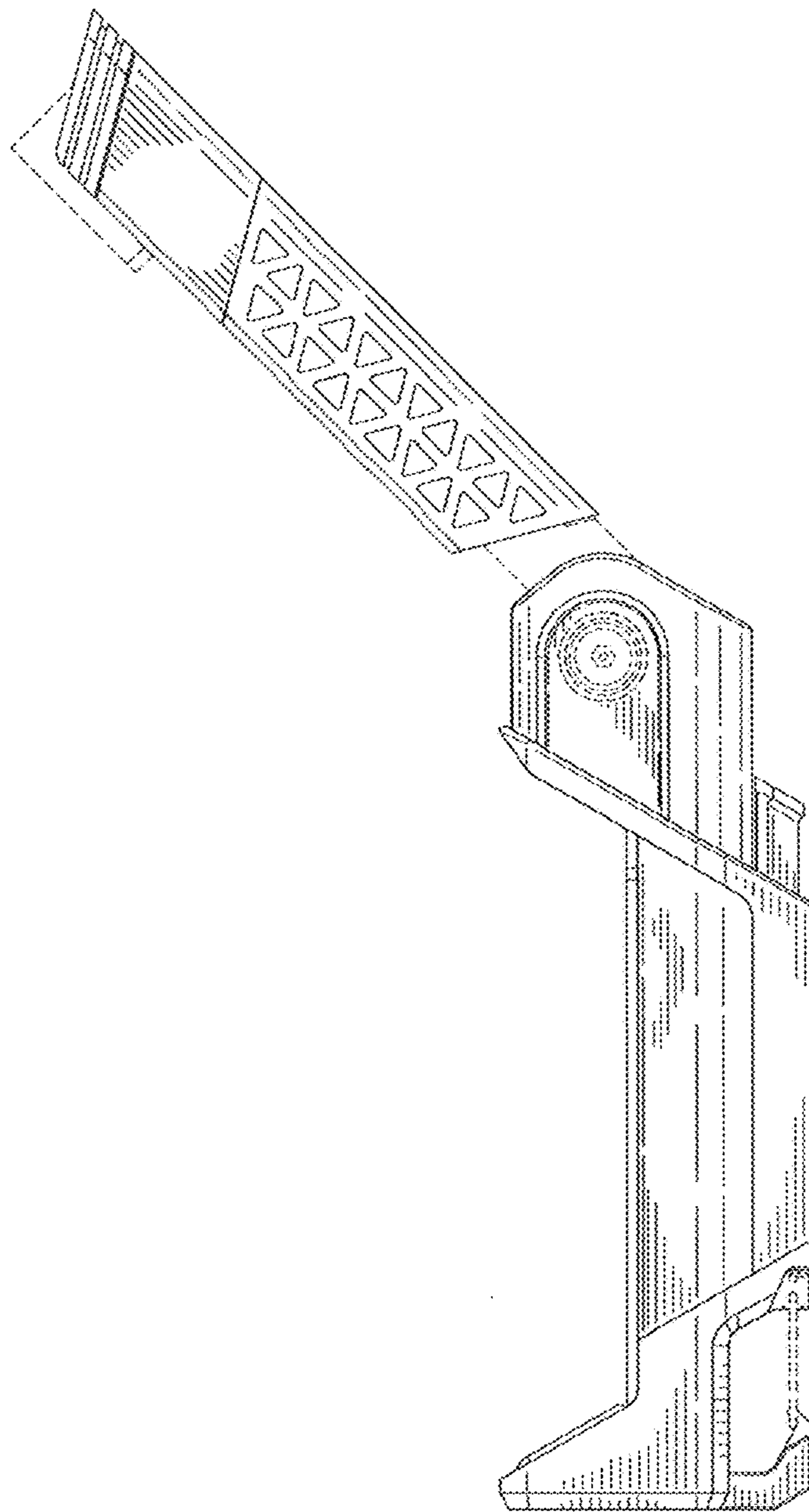


FIG. 19

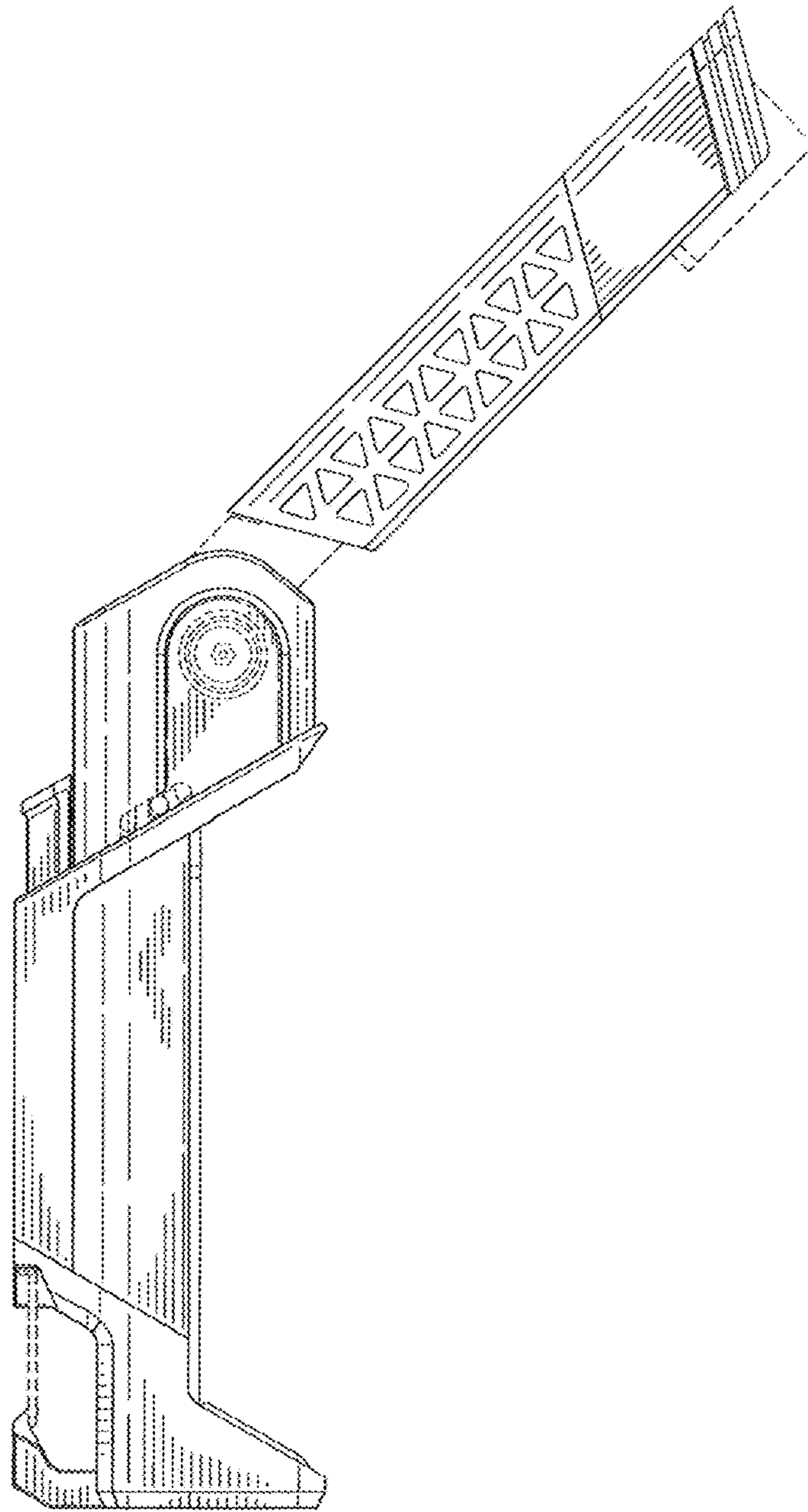


FIG.20

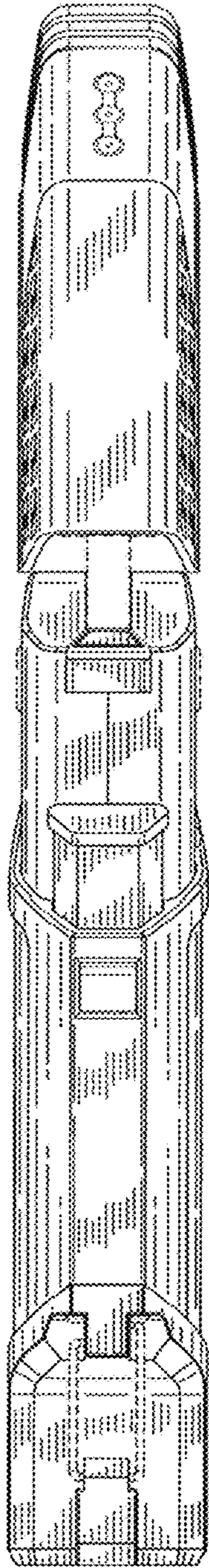


FIG. 21

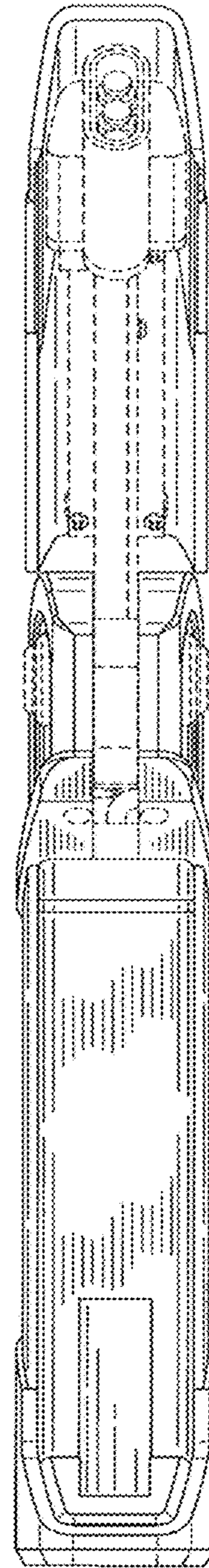


FIG. 22

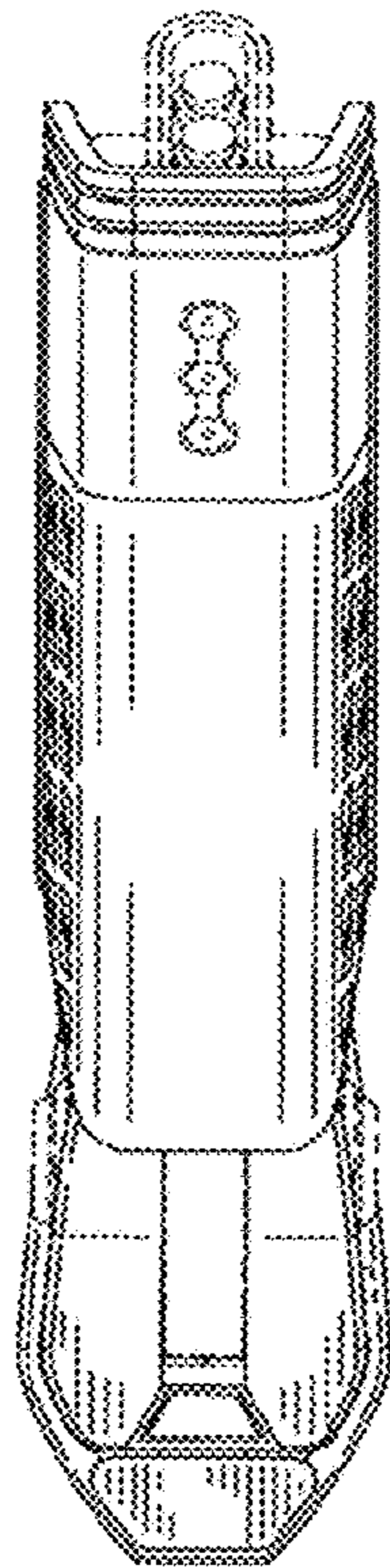


FIG. 23

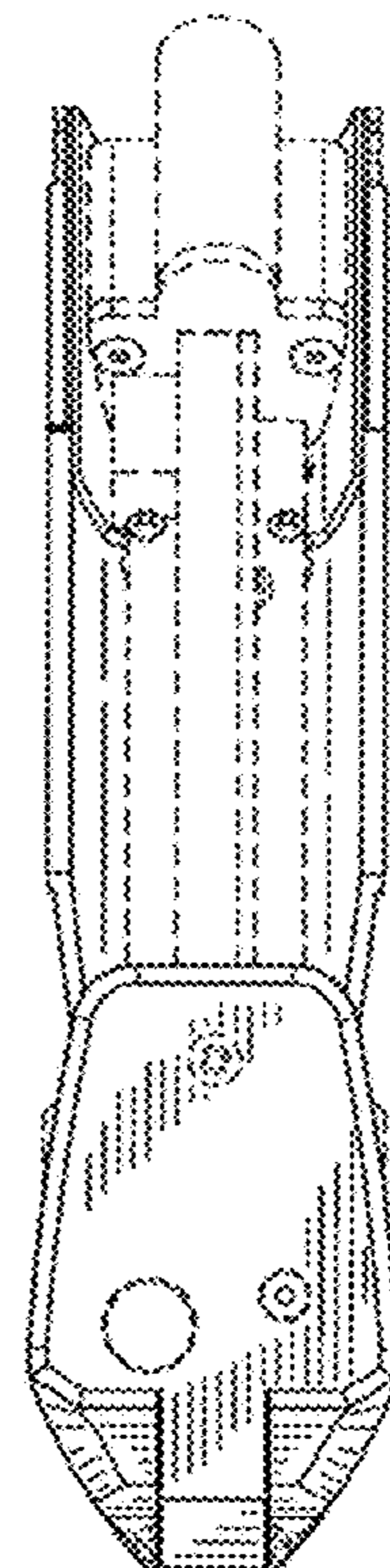


FIG. 24