



US00D845363S

(12) **United States Design Patent**
Kawaguchi et al.

(10) **Patent No.:** **US D845,363 S**

(45) **Date of Patent:** **** Apr. 9, 2019**

(54) **ELECTRIC ACTUATOR**

(71) Applicant: **MITSUBISHI ELECTRIC CORPORATION**, Tokyo (JP)

(72) Inventors: **Noboru Kawaguchi**, Tokyo (JP);
Hidetaka Yamauchi, Tokyo (JP);
Tomoya Hattori, Tokyo (JP); **Koji Hirose**, Tokyo (JP)

(73) Assignee: **Mitsubishi Electric Corporation**, Tokyo (JP)

(**) Term: **15 Years**

(21) Appl. No.: **29/633,202**

(22) Filed: **Jan. 12, 2018**

(30) **Foreign Application Priority Data**

Jul. 18, 2017 (JP) 2017-015403

(51) **LOC (11) Cl.** **15-09**

(52) **U.S. Cl.**
USPC **D15/143; D15/148**

(58) **Field of Classification Search**
USPC D12/345; D13/107, 110, 118, 158, 162,
D13/184; D15/1-9, 143, 148, 149, 199
CPC B66F 3/18; F16H 19/04; F16H 2025/2071;
F16H 2025/2084; F16H 2025/2087; F16H
2025/209; F16H 2025/2463; F16H
57/039; Y10T 74/18704; Y10T 74/1896;
H01F 7/066

See application file for complete search history.

(56) **References Cited**

U.S. PATENT DOCUMENTS

D273,586 S * 4/1984 Hodgson D15/1
D325,560 S * 4/1992 Baines D13/112
D370,683 S * 6/1996 Stahlman D15/7
D522,615 S * 6/2006 Kleffmann D23/233
D600,180 S * 9/2009 Schulz D12/180
D633,528 S * 3/2011 Usami D15/5

D635,600 S * 4/2011 Wu D15/143
D650,401 S * 12/2011 Fukano D15/143
D660,334 S * 5/2012 Takeuchi D15/143
D665,433 S * 8/2012 Beam D15/143
D678,194 S * 3/2013 Lannoch D13/112

(Continued)

FOREIGN PATENT DOCUMENTS

JP 2018083520 A * 5/2018 B62D 1/181

Primary Examiner — Melanie H Tung

Assistant Examiner — Fritzgerald L Butac

(74) *Attorney, Agent, or Firm* — Studebaker & Brackett PC

(57) **CLAIM**

The ornamental design for an electric actuator, as shown and described.

DESCRIPTION

FIG. 1 is a front perspective view of the front, left, and top sides of an electric actuator showing our new design;

FIG. 2 is a rear perspective view of the rear, right, and bottom sides thereof;

FIG. 3 is a front view thereof;

FIG. 4 is a rear view thereof;

FIG. 5 is a left side view thereof;

FIG. 6 is a right side view thereof;

FIG. 7 is a top plan view thereof;

FIG. 8 is a bottom plan view thereof;

FIG. 9 is an enlarged view of a part 9 of FIG. 1;

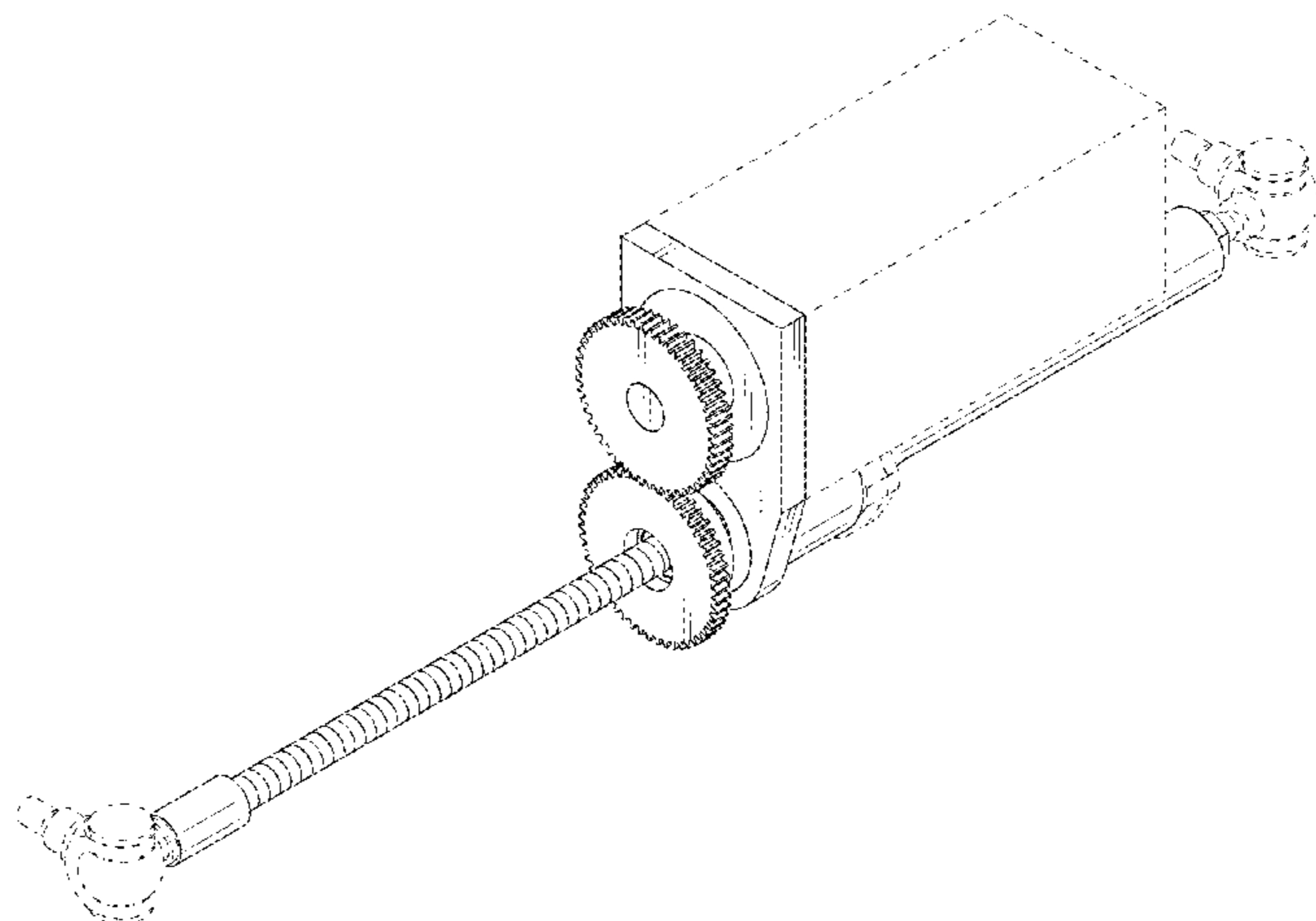
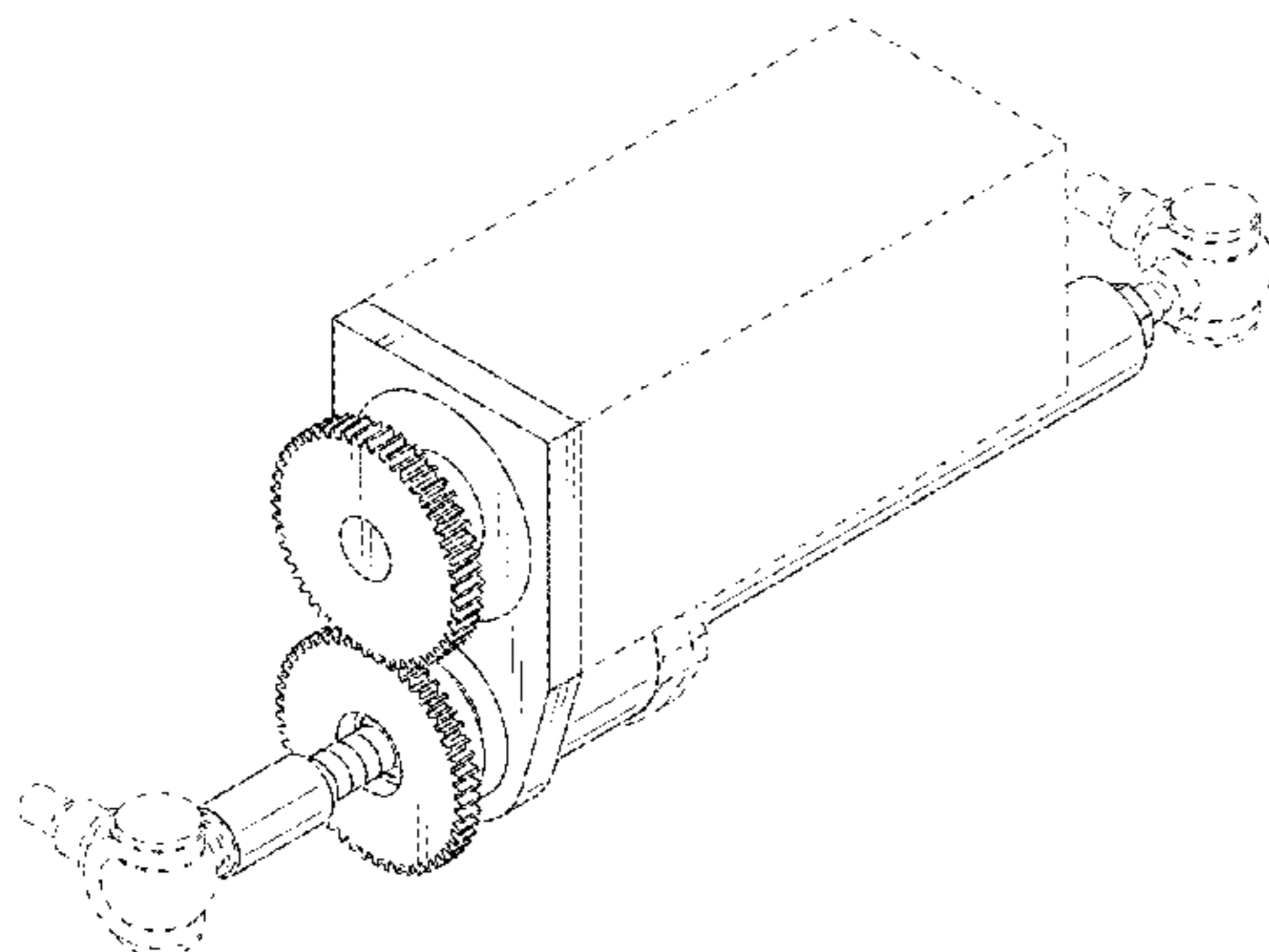
FIG. 10 is a perspective view showing a state where a rod is retracted; and,

FIG. 11 is a perspective view showing a state where a rod is extended.

The broken lines show portions of an electric actuator that form no part of the claimed design.

The dash-dot-dot broken lines in FIG. 1 represent the boundaries of the enlarged view seen in FIG. 9, and form no part of the claimed design.

1 Claim, 7 Drawing Sheets



(56)

References Cited

U.S. PATENT DOCUMENTS

| | | | |
|-------------------|---------|-------------------|-------------|
| D685,014 S * | 6/2013 | Mangold | D15/143 |
| D699,759 S * | 2/2014 | Peschel | D15/7 |
| D699,760 S * | 2/2014 | Peschel | D15/7 |
| D699,761 S * | 2/2014 | Peschel | D15/7 |
| D705,816 S * | 5/2014 | Katada | D13/112 |
| D706,304 S * | 6/2014 | Katada | D13/112 |
| D758,310 S * | 6/2016 | Veeh | D13/112 |
| D779,428 S * | 2/2017 | Mayer | D13/112 |
| D794,559 S * | 8/2017 | Schroedel | D13/112 |
| D794,560 S * | 8/2017 | Schroedel | D13/112 |
| D801,926 S * | 11/2017 | Sakai | D13/112 |
| D809,459 S * | 2/2018 | Battistella | D13/112 |
| D816,031 S * | 4/2018 | Sakai | D13/112 |
| 2018/0274653 A1 * | 9/2018 | Mueller | F16H 57/039 |

* cited by examiner

Fig. 1

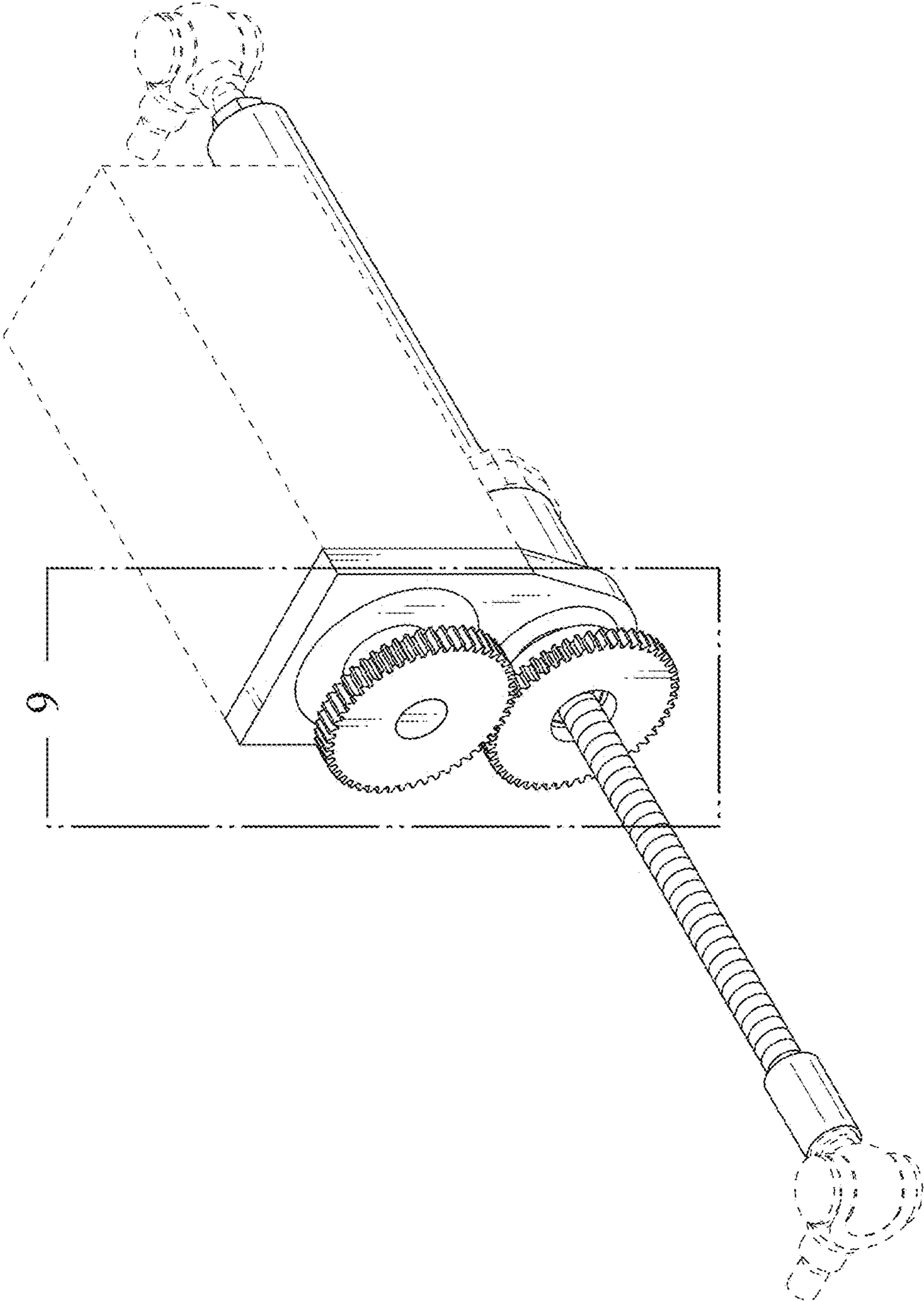


Fig. 2

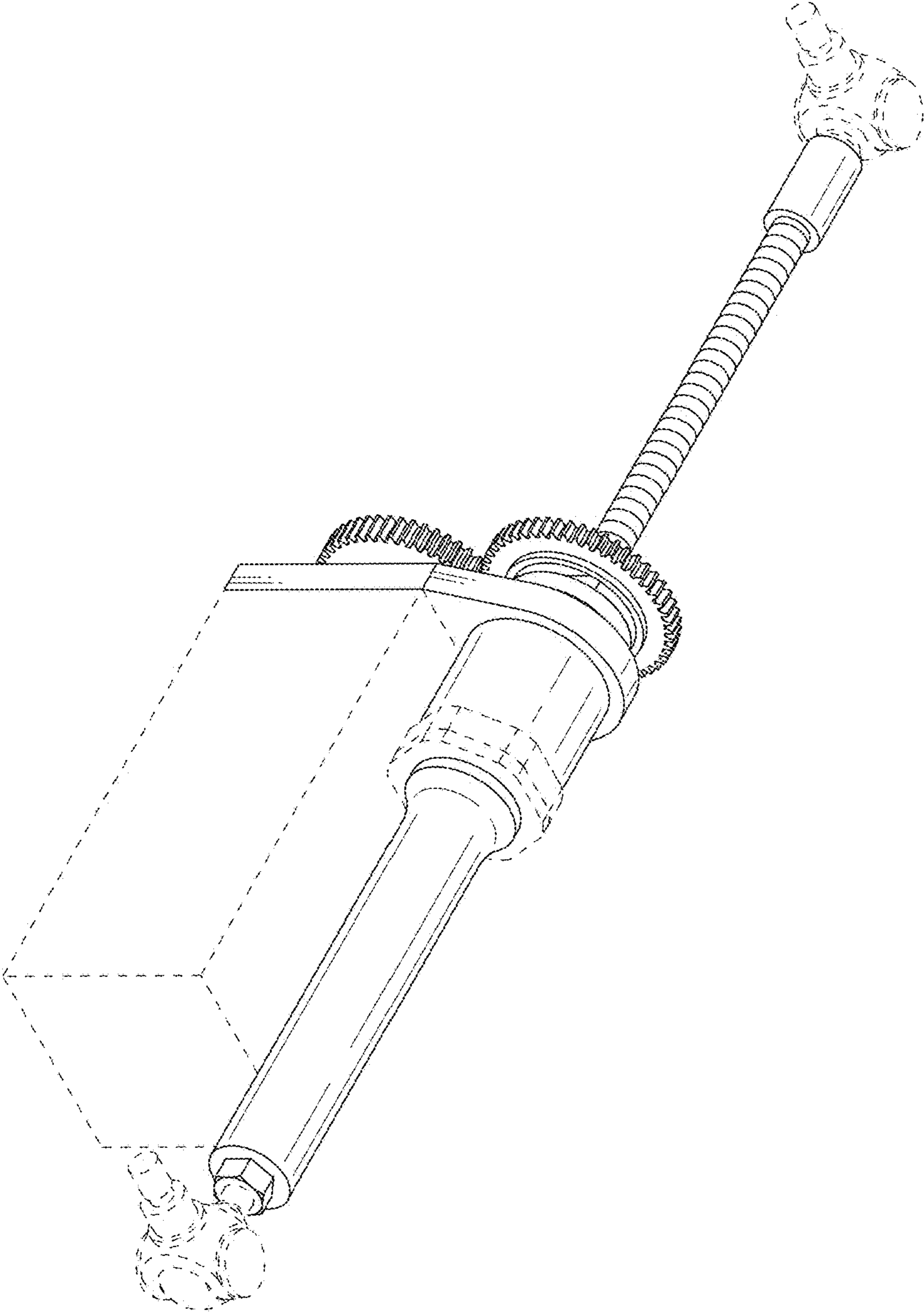


Fig. 3

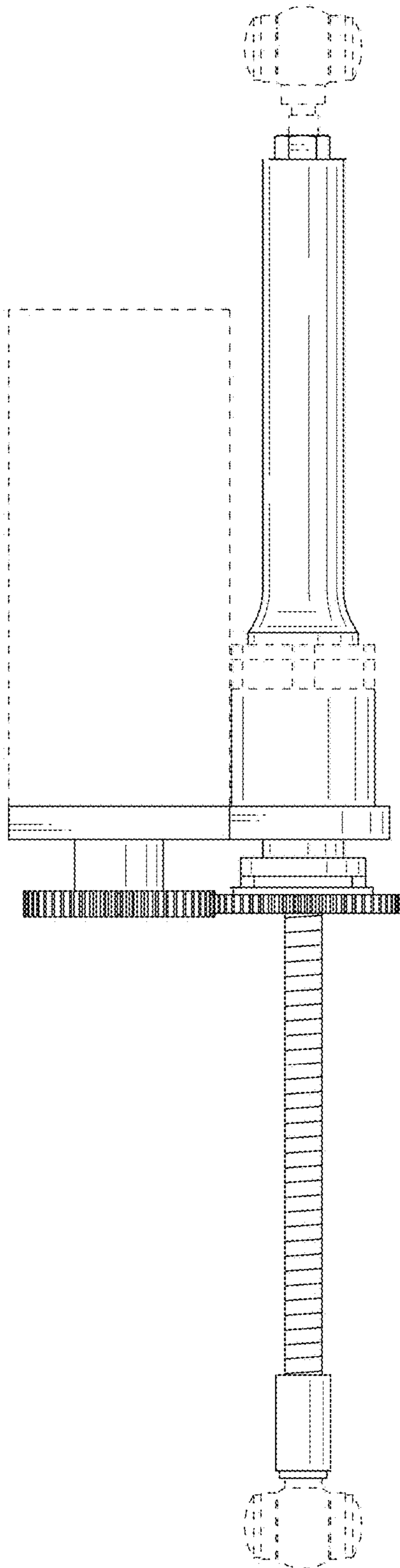


Fig. 4

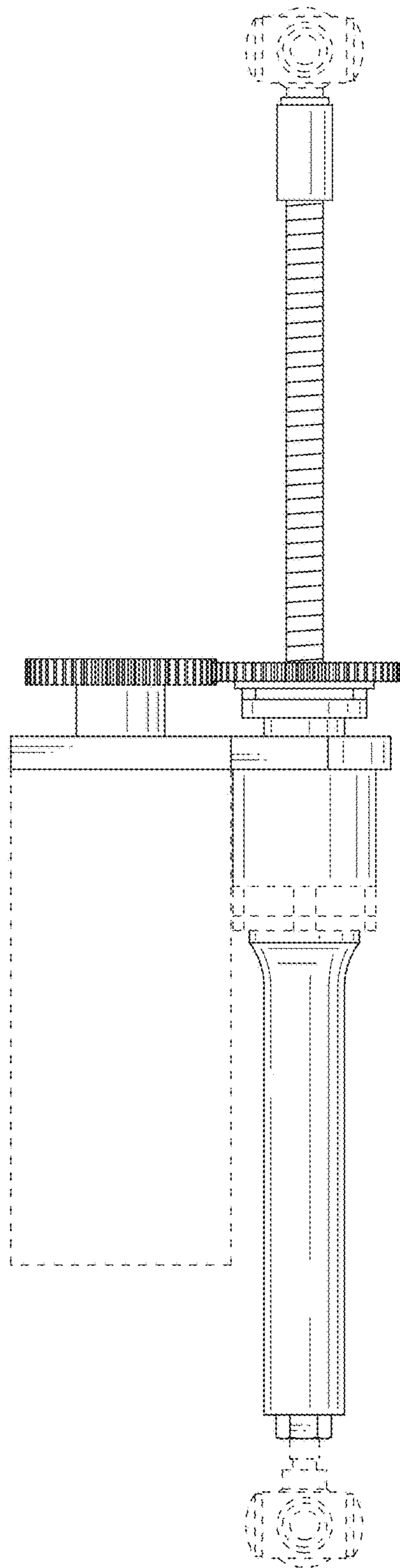


Fig. 6

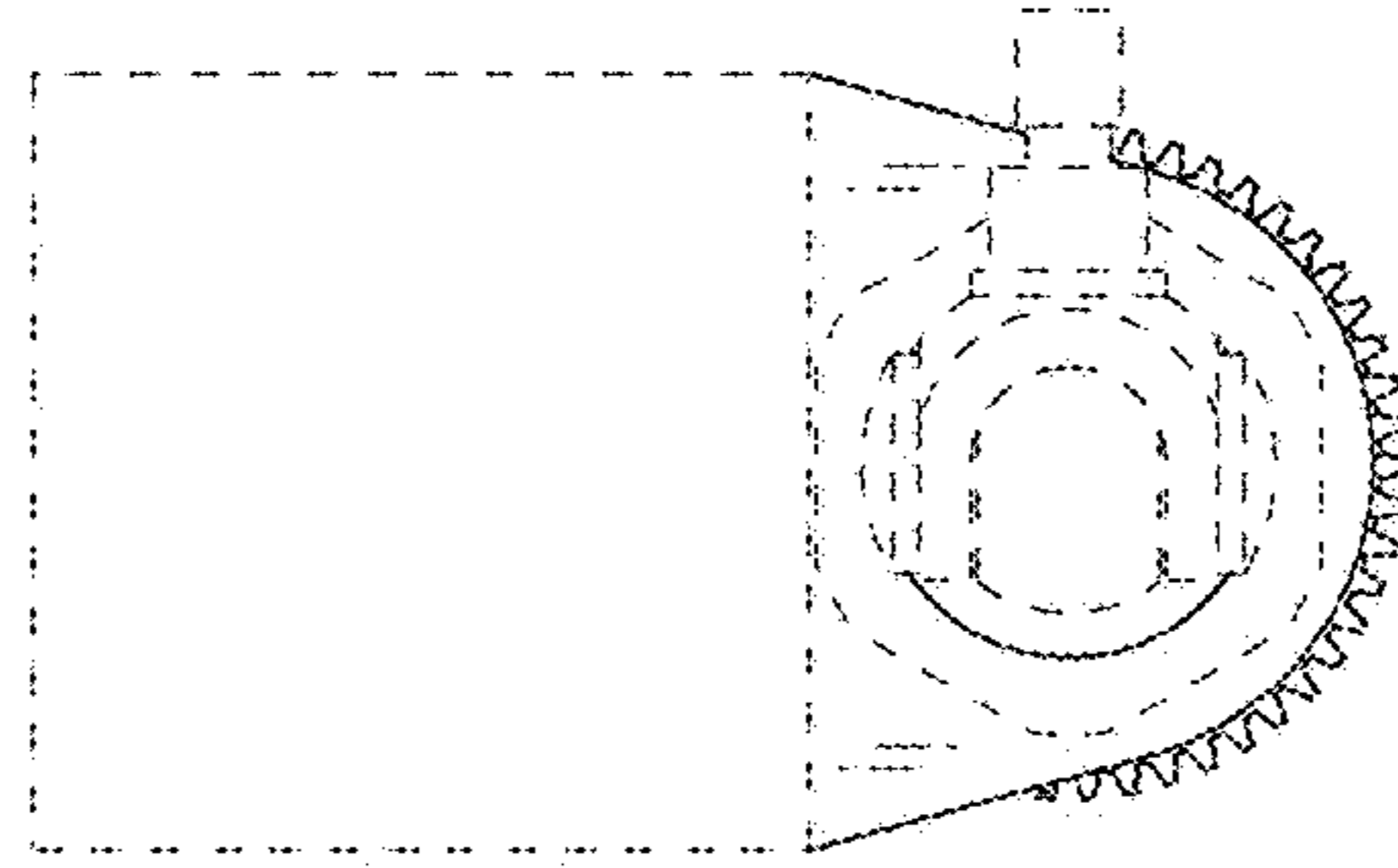


Fig. 5

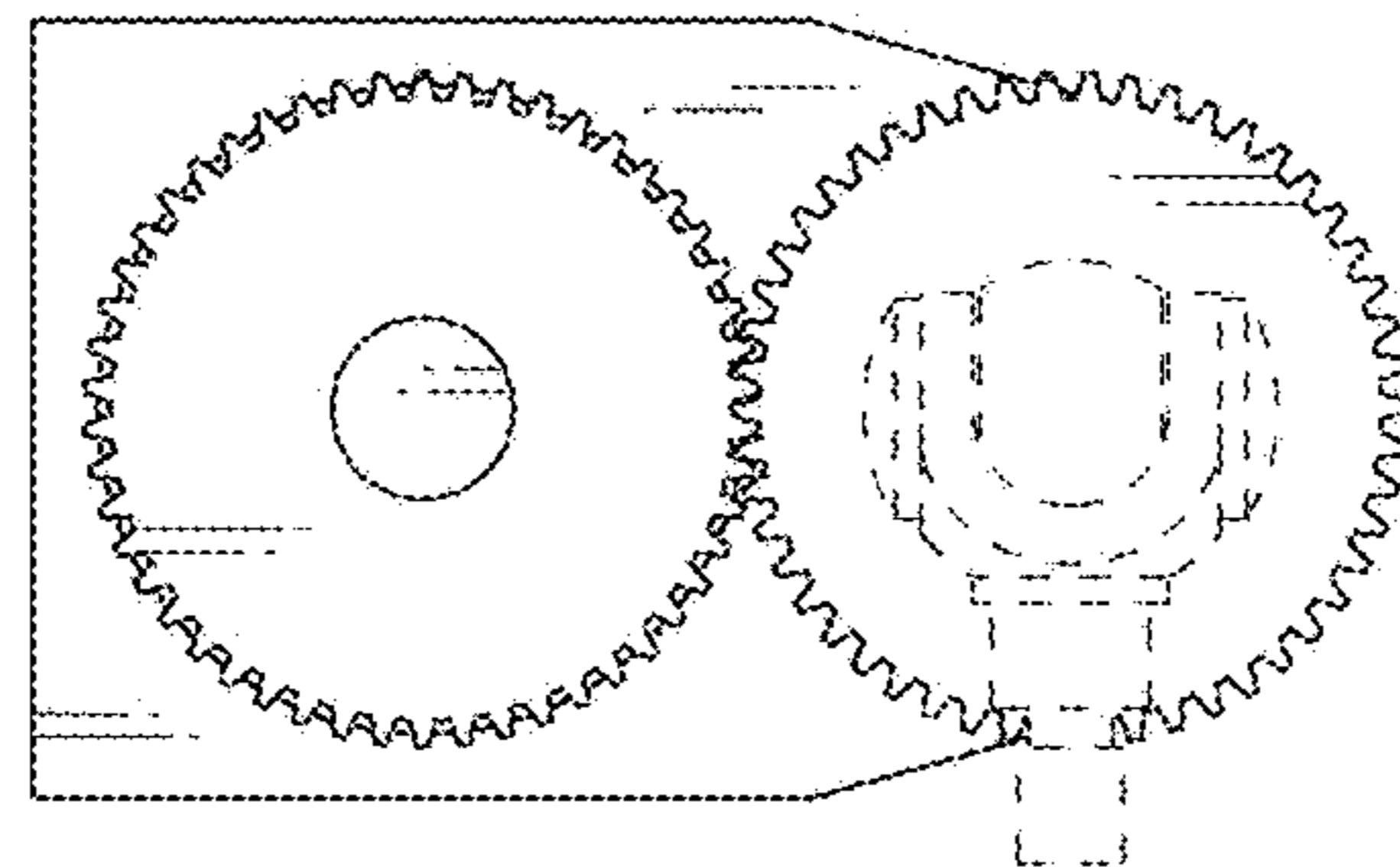


Fig. 7

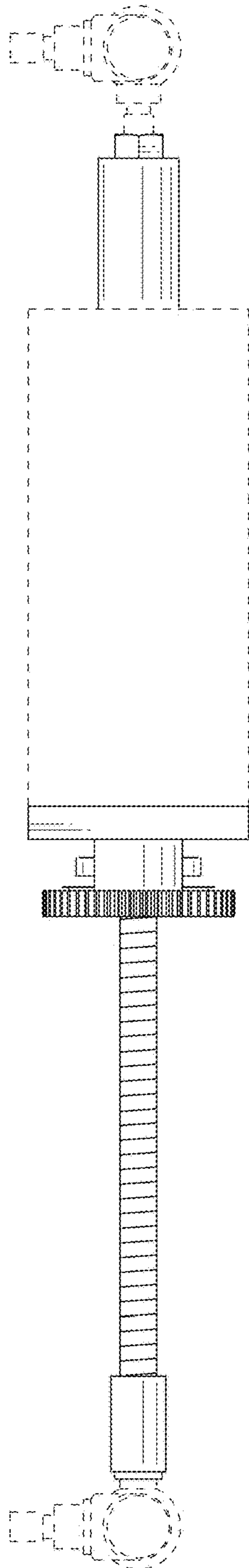


Fig. 8

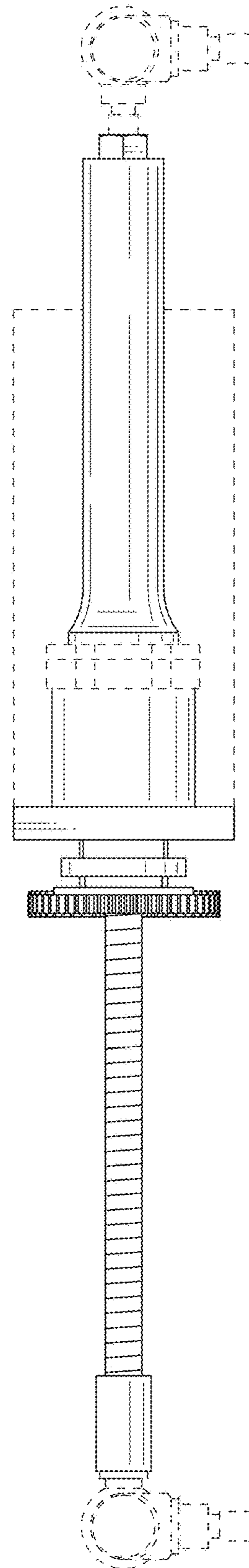


Fig. 10

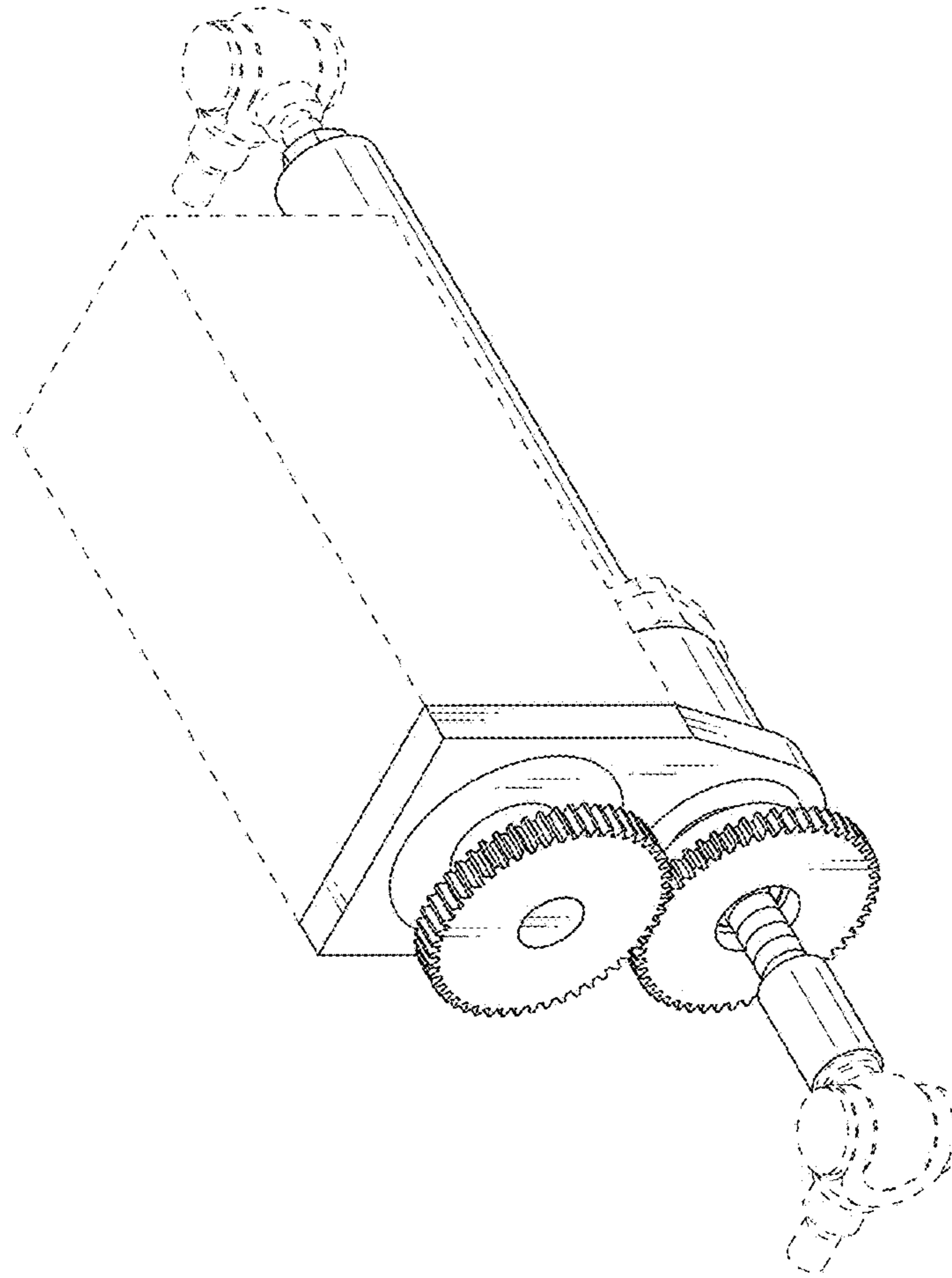


Fig. 9

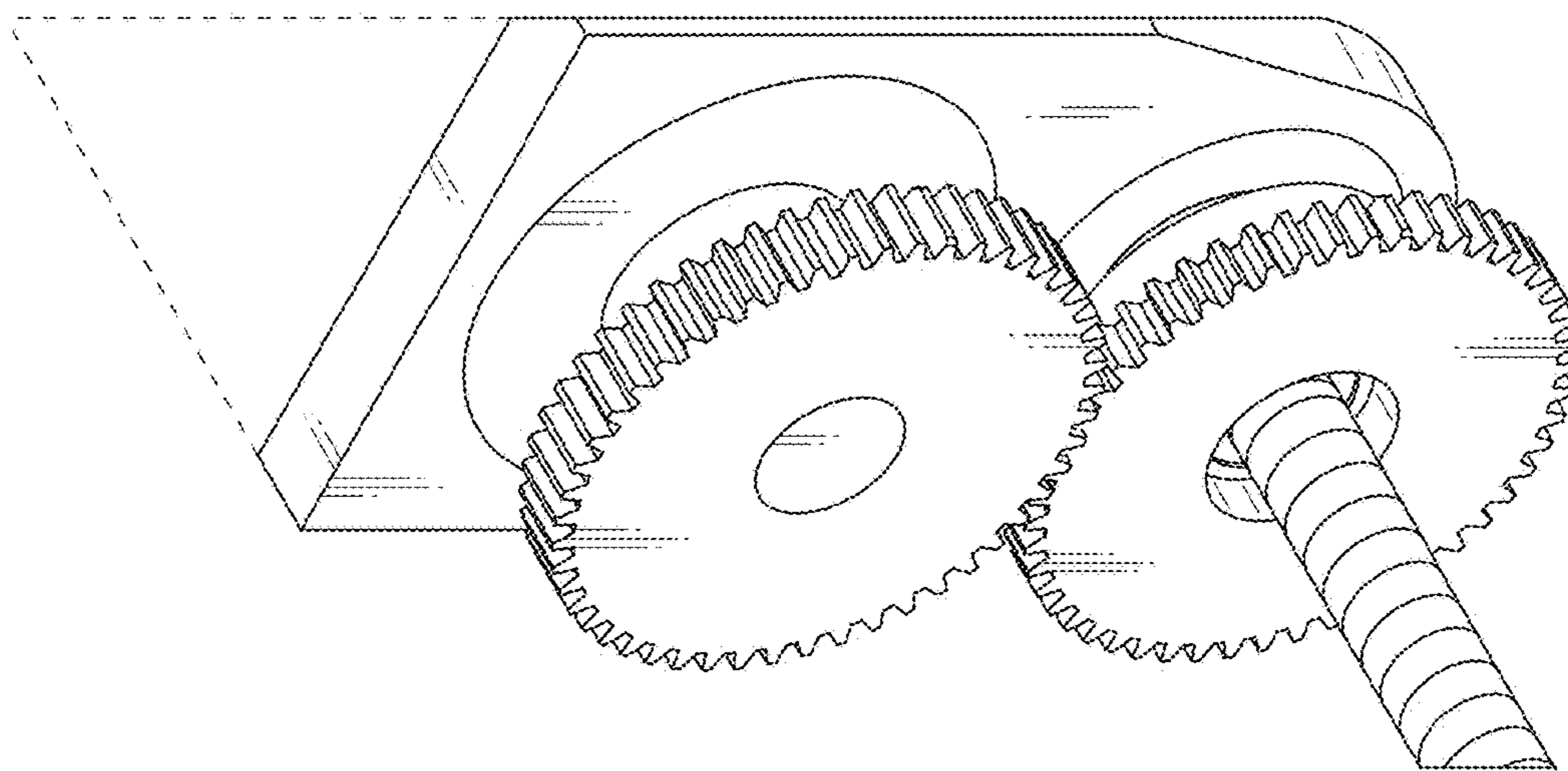


Fig. 11

