



US00D845361S

(12) **United States Design Patent** (10) **Patent No.:** **US D845,361 S**
Komiyama et al. (45) **Date of Patent:** **** Apr. 9, 2019**

- (54) **CUTTING INSERT**
- (71) Applicant: **TUNGALOY CORPORATION**,
Iwaki, Fukushima (JP)
- (72) Inventors: **Satoshi Komiyama**, Iwaki (JP);
Haruki Kumoi, Iwaki (JP)
- (73) Assignee: **TUNGALOY CORPORATION**,
Iwaki-shi, Fukushima (JP)
- (**) Term: **15 Years**
- (21) Appl. No.: **29/618,849**
- (22) Filed: **Sep. 25, 2017**

D344,276 S *	2/1994	Markusson	D15/139
D345,984 S *	4/1994	Ishikawa	D15/139
D345,985 S *	4/1994	Ishikawa	D15/139
D355,661 S *	2/1995	Hessman	D15/139
D357,692 S *	4/1995	Ishikawa	D15/139
D376,158 S *	12/1996	Hessman	D15/139
D381,026 S *	7/1997	Hessman	D15/139
D409,633 S *	5/1999	Bernadic	D15/139
D422,608 S *	4/2000	Malaker	D15/139
D425,086 S *	5/2000	Bernadic	D15/139
D488,175 S *	4/2004	Kasperik	D15/139
7,168,512 B2 *	1/2007	Schuffenhauer	B23C 5/207 175/426
D585,467 S *	1/2009	Takanashi	D15/139
D589,542 S *	3/2009	Takanashi	D15/139
2015/0202697 A1 *	7/2015	Shiota	B23C 5/109 407/42
2015/0246398 A1 *	9/2015	Kawasaki	B23B 51/048 408/231

Related U.S. Application Data

- (62) Division of application No. 35/501,286, filed on Jan. 27, 2016 (U.S. filing date under 35 U.S.C. 384), and having an international filing date of Jan. 27, 2016, now Pat. No. Des. 806,150.
- (51) **LOC (11) Cl.** **15-09**
- (52) **U.S. Cl.**
USPC **D15/139**
CPC **B23C 5/207 (2013.01)**
- (58) **Field of Classification Search**
USPC D15/122-143; 407/42, 113-117
CPC B23C 5/207; B23C 5/109
See application file for complete search history.

(56) **References Cited**

U.S. PATENT DOCUMENTS

D304,949 S *	12/1989	Niebauer	D15/139
D305,239 S *	12/1989	Niebauer	D15/139
5,145,295 A *	9/1992	Satran	B23C 5/2213 407/113
5,207,538 A *	5/1993	Satran	B23C 5/2213 407/113
D342,269 S *	12/1993	Arai	D15/139

* cited by examiner

Primary Examiner — Richard E Chilcot

(74) *Attorney, Agent, or Firm* — Sughrue Mion, PLLC

(57) **CLAIM**

The ornamental design for a cutting insert, as shown and described.

DESCRIPTION

- FIG. 1 : Perspective
- FIG. 2 : Front
- FIG. 3 : Back
- FIG. 4 : Left
- FIG. 5 : Right
- FIG. 6 : Top; and,
- FIG. 7 : Bottom.

The broken lines shown are included for the purpose of illustrating the unclaimed portions of the cutting insert and form no part of the claimed design; this article is used as a cutting tool which is replaceable.

1 Claim, 7 Drawing Sheets

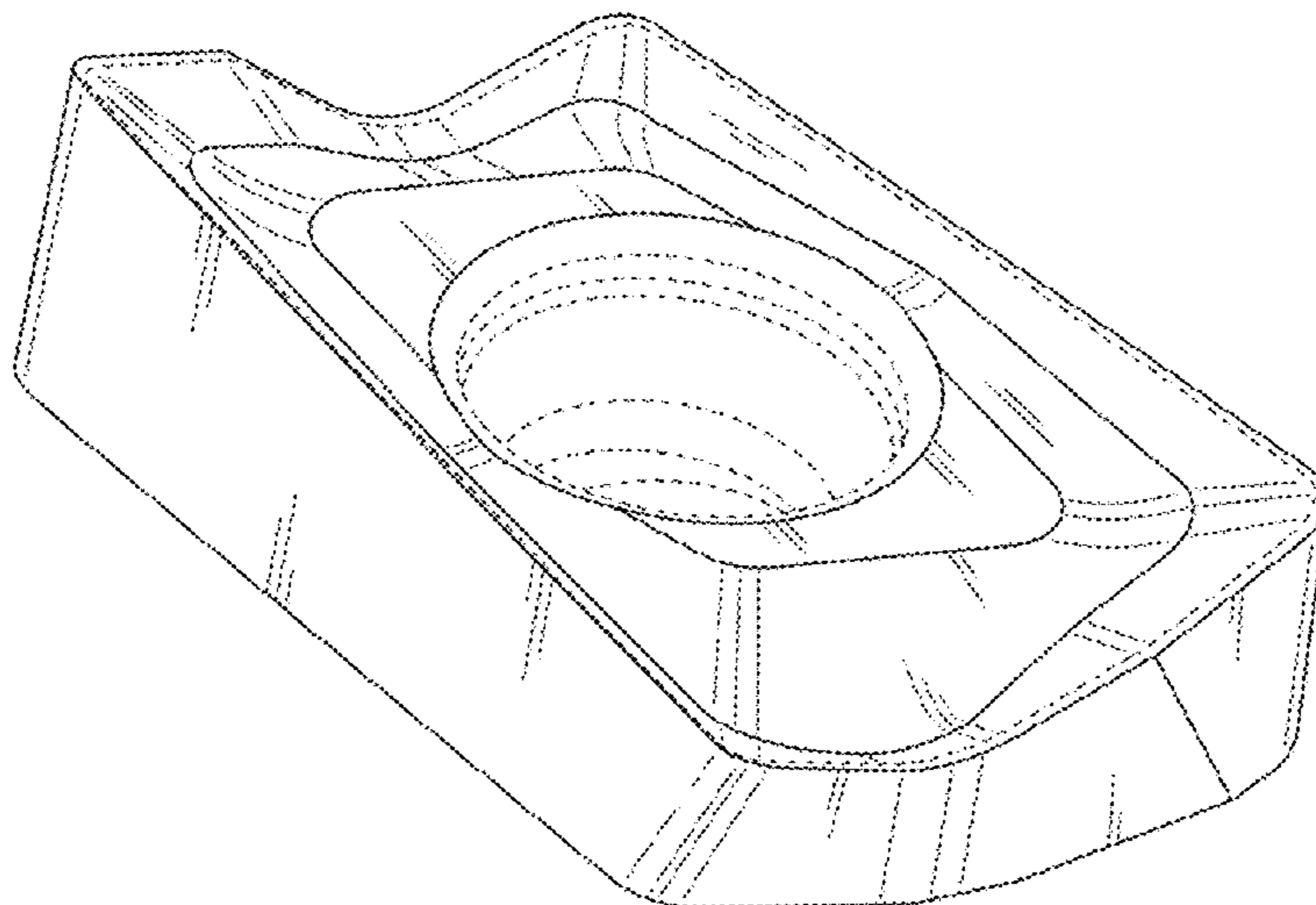


FIG.1.

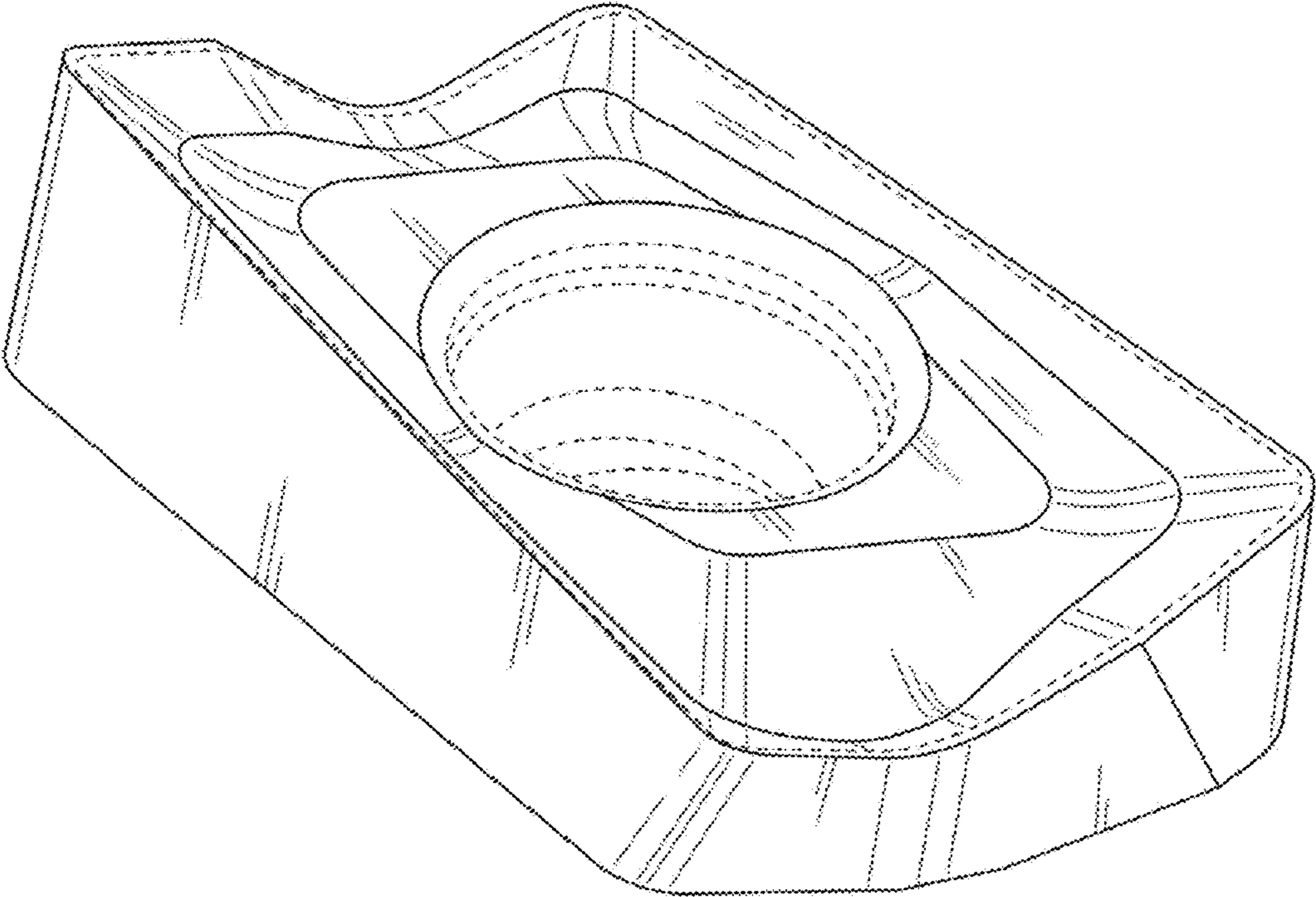


FIG.2.

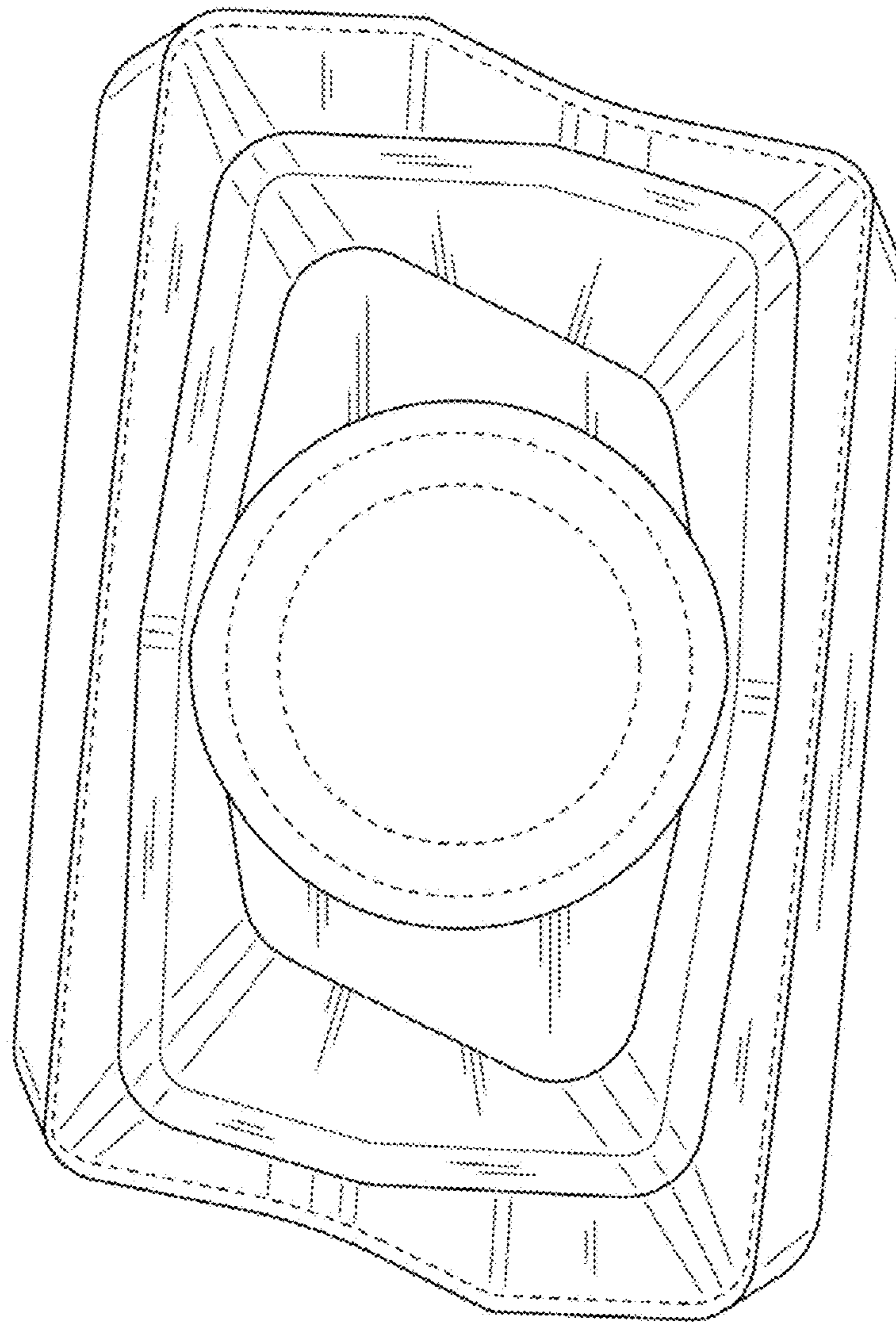


FIG. 3.

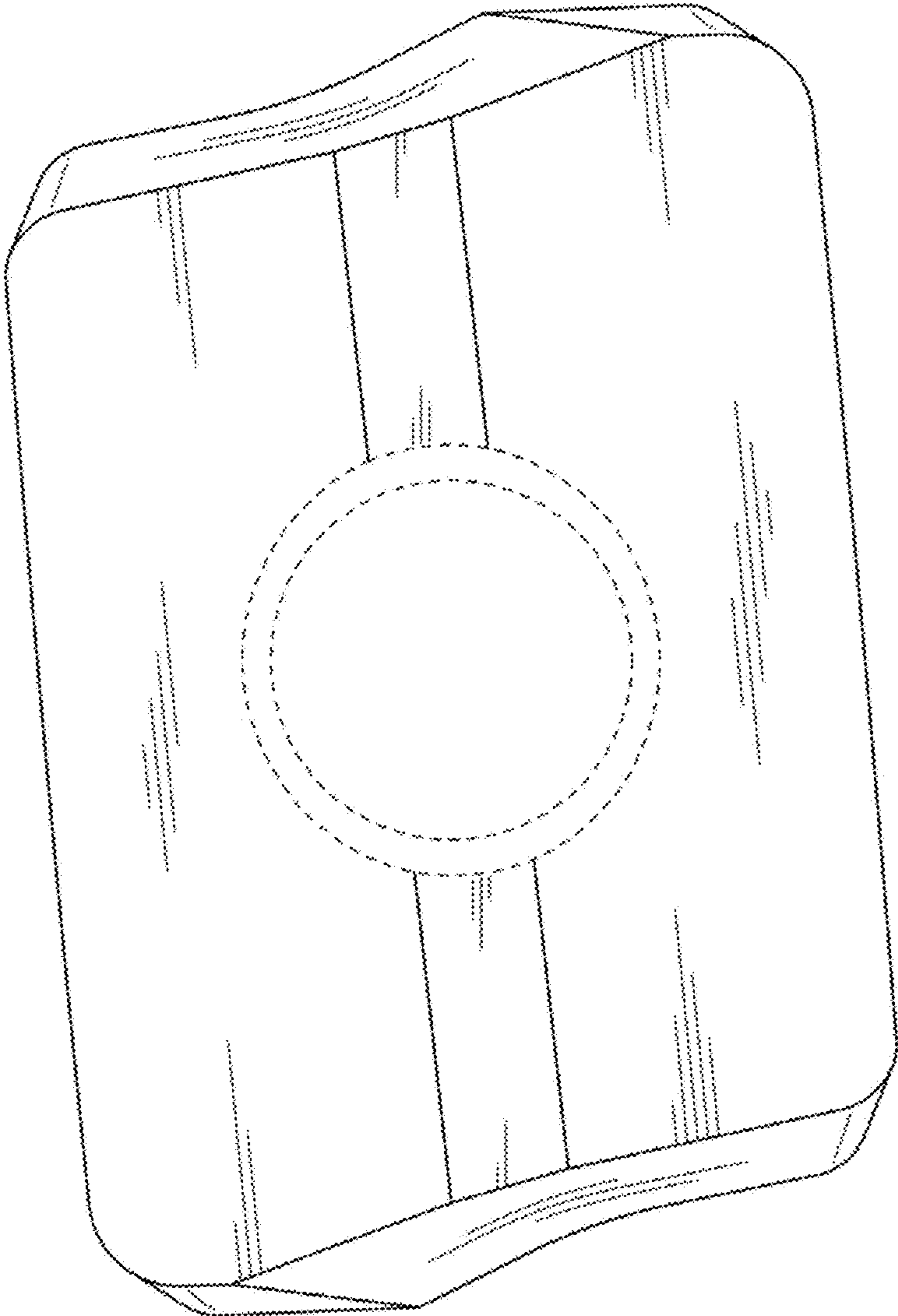


FIG.4.

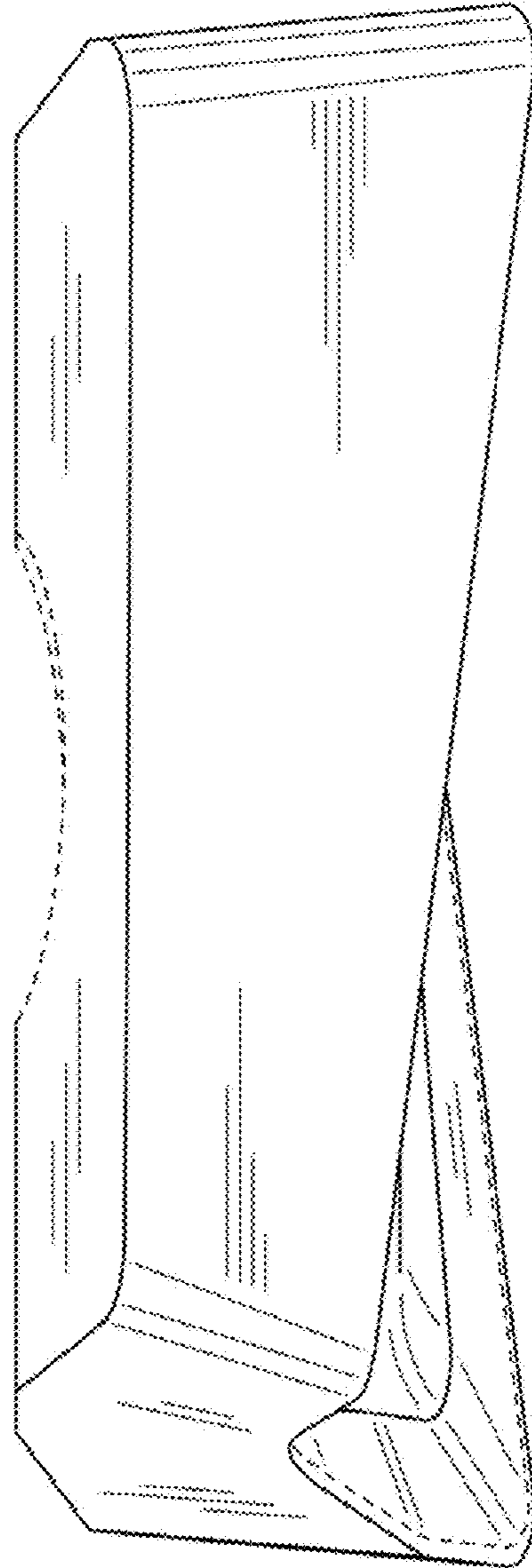


FIG.5.

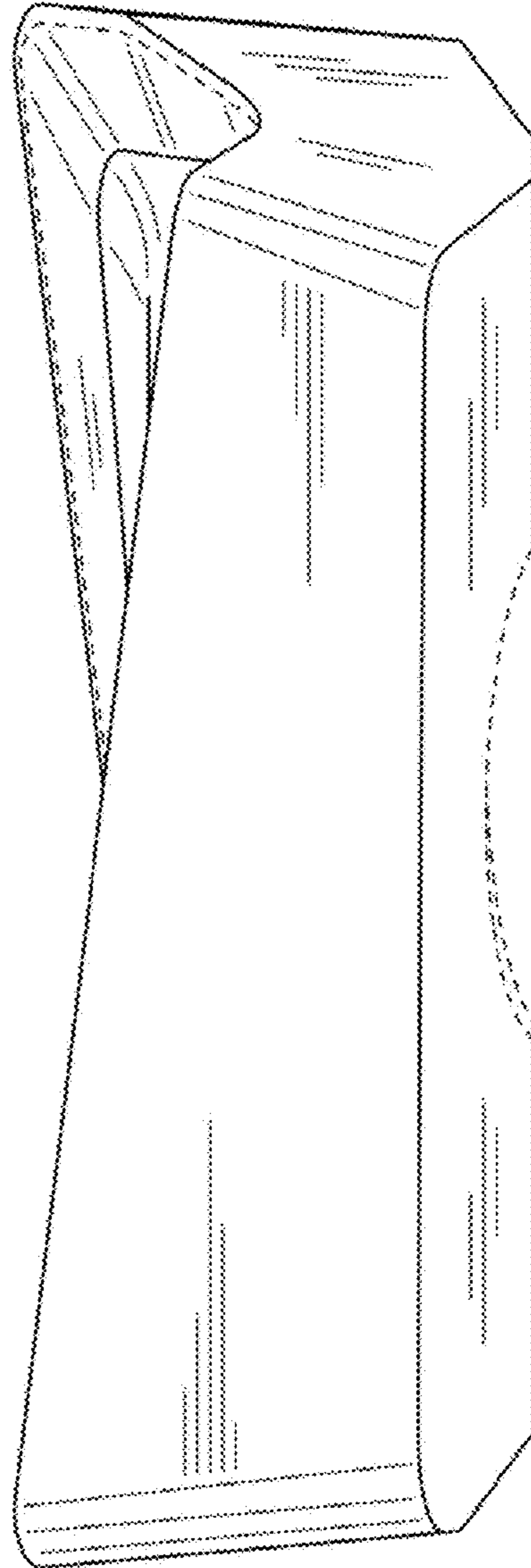


FIG. 6.

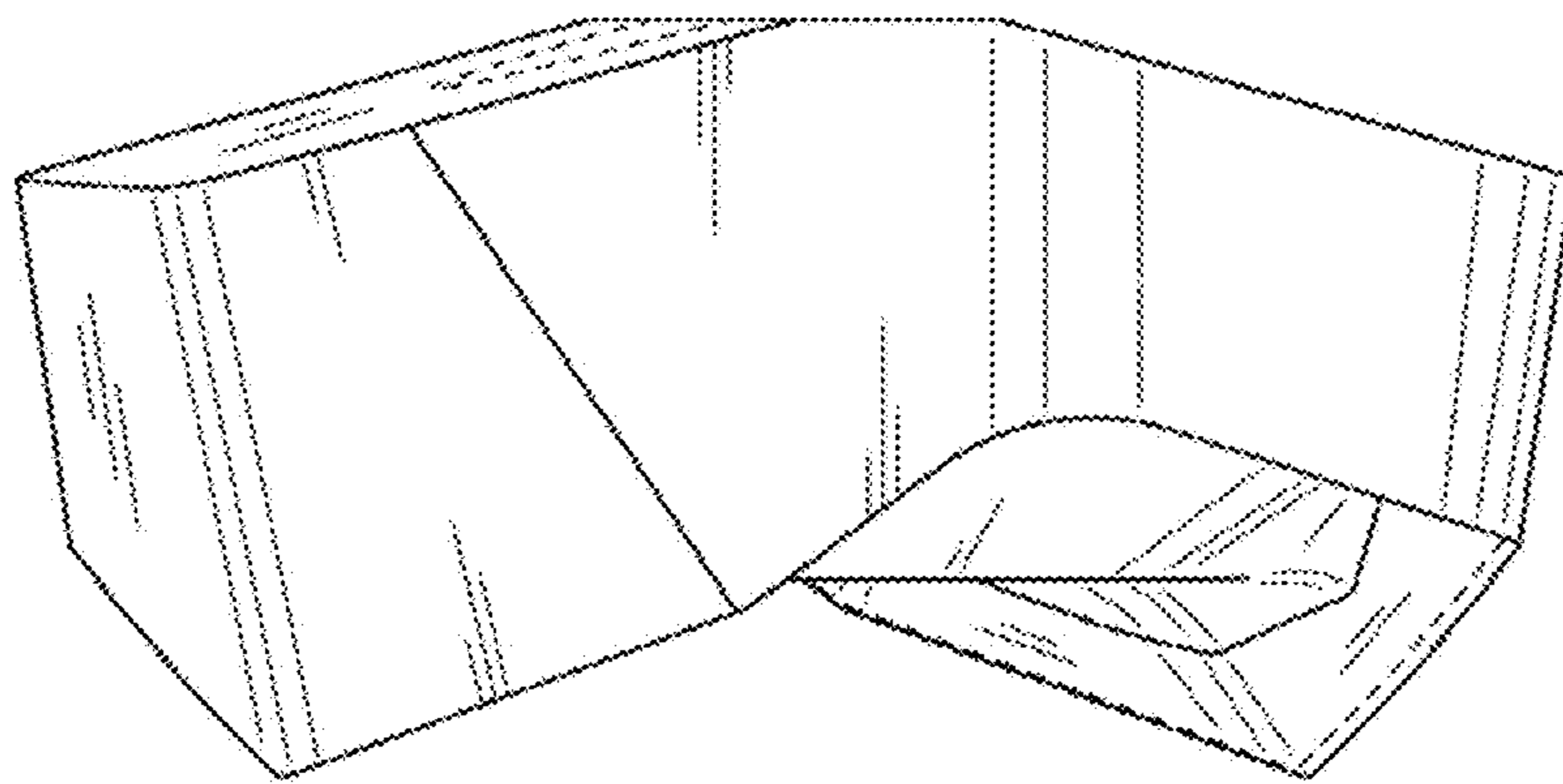


FIG.7.

