



US00D845358S

(12) **United States Design Patent**
Geldenhuis et al.

(10) **Patent No.:** **US D845,358 S**

(45) **Date of Patent:** **** Apr. 9, 2019**

- (54) **ADAPTOR PLATE**
- (71) Applicant: **BATTLEMAX (PTY) LTD.**, Centurion (ZA)
- (72) Inventors: **Siegfried Geldenhuis**, Knysna (ZA);
Marthinus Jacobus Buitendag, Centurion (ZA)
- (73) Assignee: **BATTLEMAX (PTY) LTD.**, Centurion (ZA)
- (**) Term: **15 Years**
- (21) Appl. No.: **29/596,268**
- (22) Filed: **Mar. 7, 2017**
- (30) **Foreign Application Priority Data**

- 4,505,814 A * 3/1985 Marshall E04D 13/0409
210/166
- 4,800,309 A * 1/1989 Lakin F16C 23/045
310/89
- D308,850 S * 6/1990 McGuire D12/317
- D319,295 S * 8/1991 Ohaus D23/261
- 5,281,878 A * 1/1994 Schaeffer H02K 7/14
310/87
- 5,375,720 A * 12/1994 Piggott B07B 4/08
209/254
- 5,460,552 A * 10/1995 Blanchard B63H 21/305
440/111
- 5,547,565 A * 8/1996 Biere B01D 17/0214
210/232
- D374,808 S * 10/1996 Ungar D8/349
- 5,900,583 A * 5/1999 Russo H02G 3/20
174/61
- D418,044 S * 12/1999 Schoeneweis D8/354
- 6,029,433 A * 2/2000 Westbrook A01D 34/62
56/249
- D428,155 S * 7/2000 Chalberg D24/204

(Continued)

- Sep. 8, 2016 (ZA) F2016/01310
- (51) **LOC (11) Cl.** **15-09**
- (52) **U.S. Cl.**
USPC **D15/138; D23/261**
- (58) **Field of Classification Search**
USPC D15/138, 1-7; D24/204; D23/261
CPC B29C 31/08; H01L 21/67379
See application file for complete search history.

Primary Examiner — Patricia A Palasik
(74) *Attorney, Agent, or Firm* — Tutunjian & Bitetto, P.C.

(57) **CLAIM**

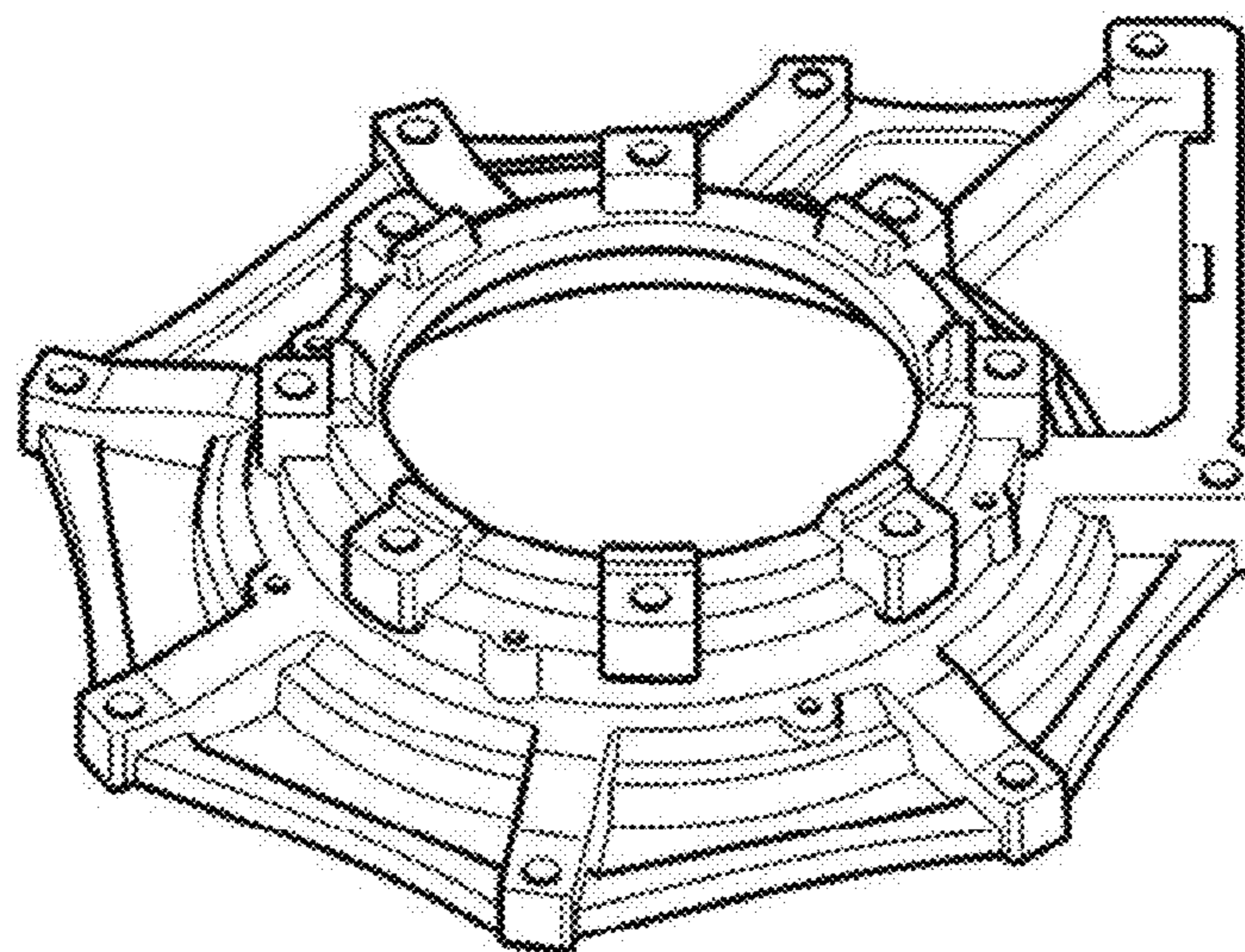
The ornamental design for an adaptor plate, as shown and described.

DESCRIPTION

FIG. 1 is a perspective view of the adaptor plate showing our new design;
FIG. 2 is a top view thereof;
FIG. 3 is a bottom view thereof;
FIG. 4 is a rear view thereof;
FIG. 5 is a front view thereof;
FIG. 6 is a left side view thereof; and,
FIG. 7 is a right side view thereof.
The broken lines in the drawings illustrate the portions of the suction cover that form no part of the claim.

- (56) **References Cited**
U.S. PATENT DOCUMENTS
- 3,357,561 A * 12/1967 Schmid E04D 13/0409
210/137
- 3,378,858 A * 4/1968 Candido Jacuzzi .. E04H 4/1236
210/163
- D243,655 S * 3/1977 Matousek D8/354
- D253,369 S * 11/1979 Koelble D23/313
- D256,915 S * 9/1980 Needleman D14/224
- 4,359,790 A * 11/1982 Chalberg A61H 33/6073
4/541.3

1 Claim, 1 Drawing Sheet



(56)

References Cited

U.S. PATENT DOCUMENTS

6,293,320 B1 *	9/2001	McGregor, II	B23C 1/00	142/1	9,402,486 B2 *	8/2016	Green	A47F 7/024
D490,819 S *	6/2004	Wahlberg	D15/7		D816,120 S *	4/2018	Huckey	D15/5
D502,431 S *	3/2005	Matthies	D12/114		2002/0114686 A1 *	8/2002	Glynn	H01L 21/67379
7,178,179 B2 *	2/2007	Barnes	A61H 33/6073	4/292					414/292
D603,874 S *	11/2009	Chu	D15/9		2005/0158194 A1 *	7/2005	Sloan	F04D 9/02
D606,632 S *	12/2009	Price	D23/260						417/423.11
D611,066 S *	3/2010	Foreman	D15/7		2006/0091612 A1 *	5/2006	Anderberg	F16J 15/002
D613,829 S *	4/2010	Griffin	D23/260						277/411
D624,631 S *	9/2010	Cantrill	D23/261		2008/0245719 A1 *	10/2008	Beard	B01D 29/114
D670,793 S *	11/2012	Marquis-Martin	D23/259						210/235
8,713,724 B1 *	5/2014	Goettl	E04H 4/1236	4/507	2010/0176603 A1 *	7/2010	Bushnell	H02K 9/06
										290/1 B
8,869,319 B2 *	10/2014	Griffin	E04H 4/14	4/507	2011/0113784 A1 *	5/2011	Headland	F02C 7/22
										60/737
D754,304 S *	4/2016	Morris	D23/260		2011/0192944 A1 *	8/2011	Koop	E06B 9/50
										248/220.22
						2011/0286872 A1 *	11/2011	McGuffey	F04C 2/14
										418/175

* cited by examiner

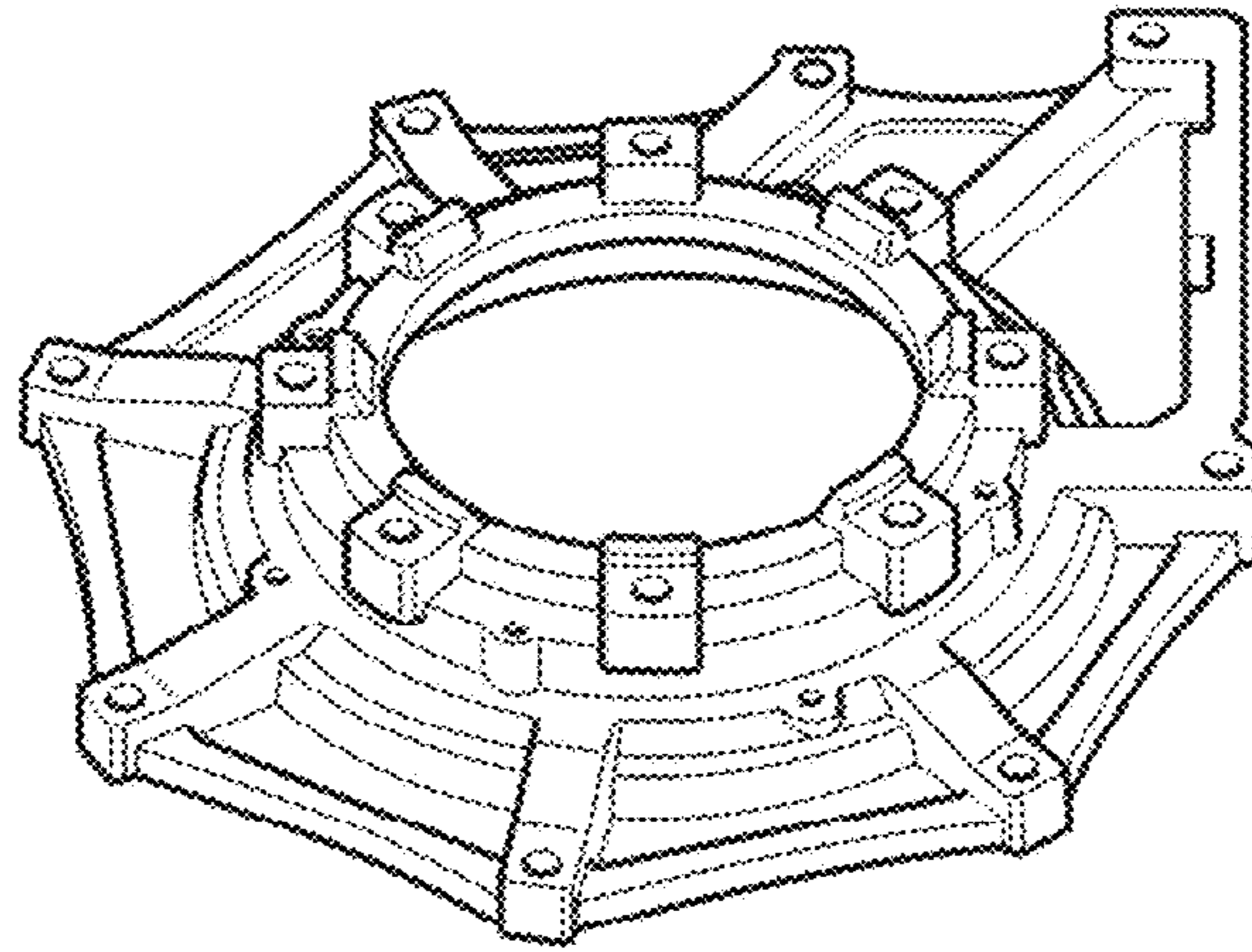


FIGURE 1

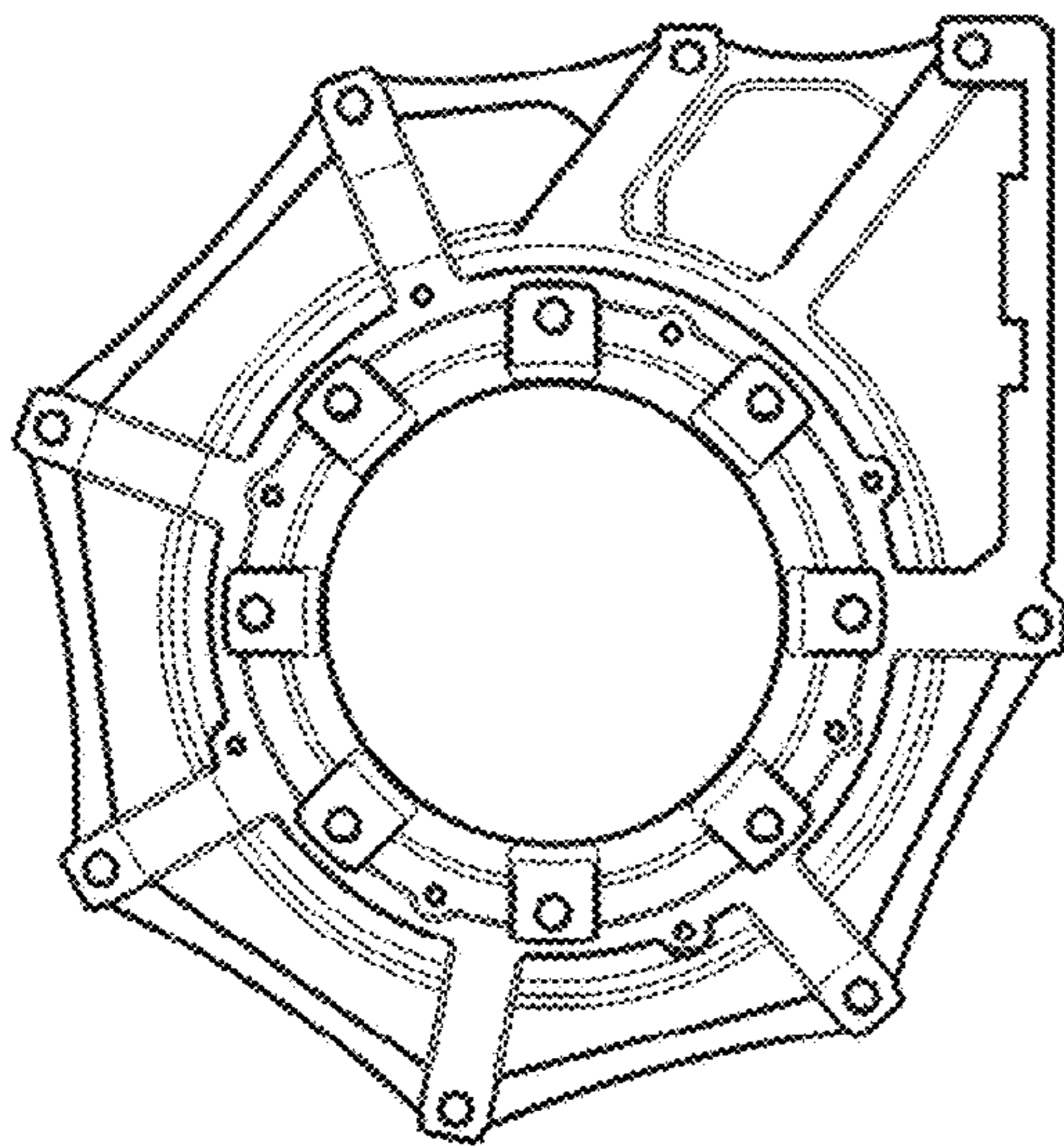


FIGURE 2

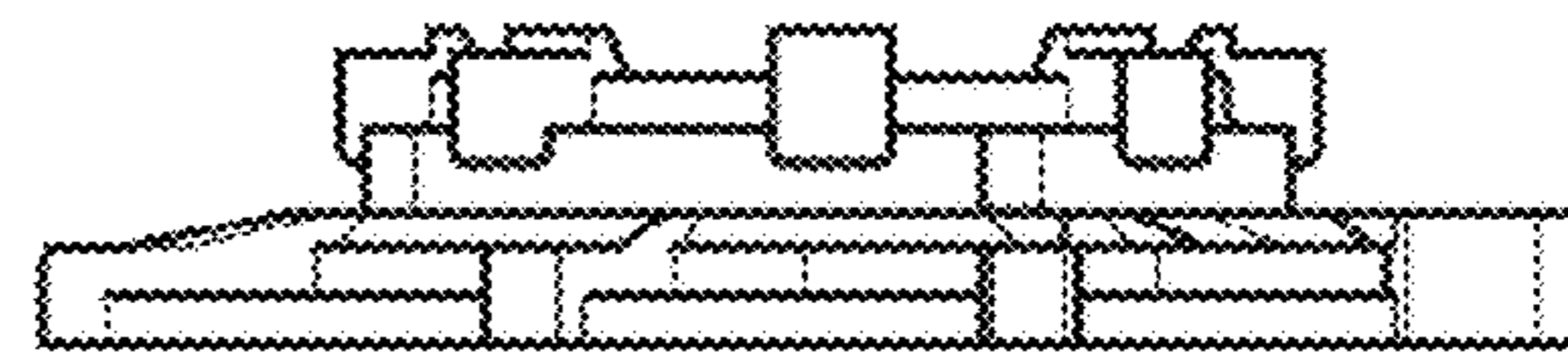


FIGURE 4

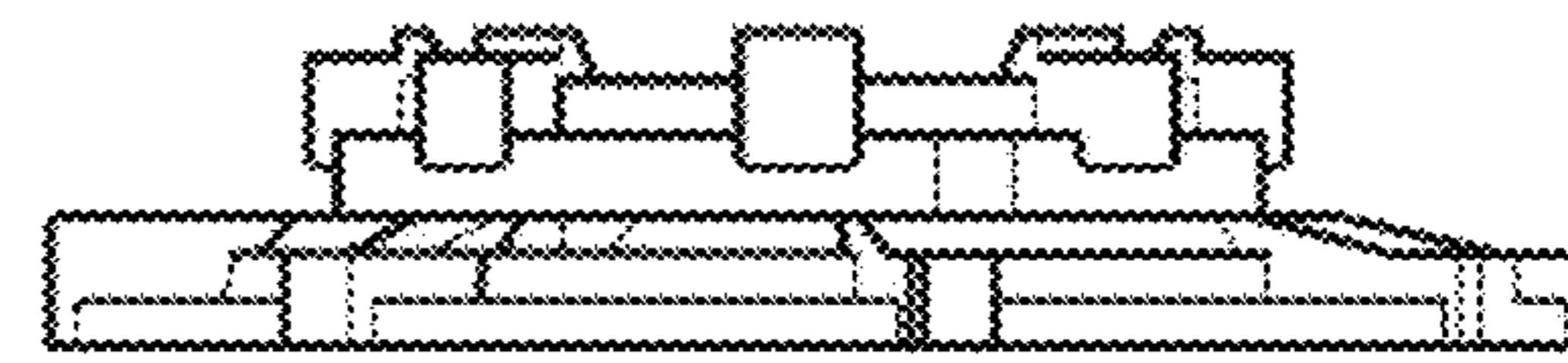


FIGURE 5

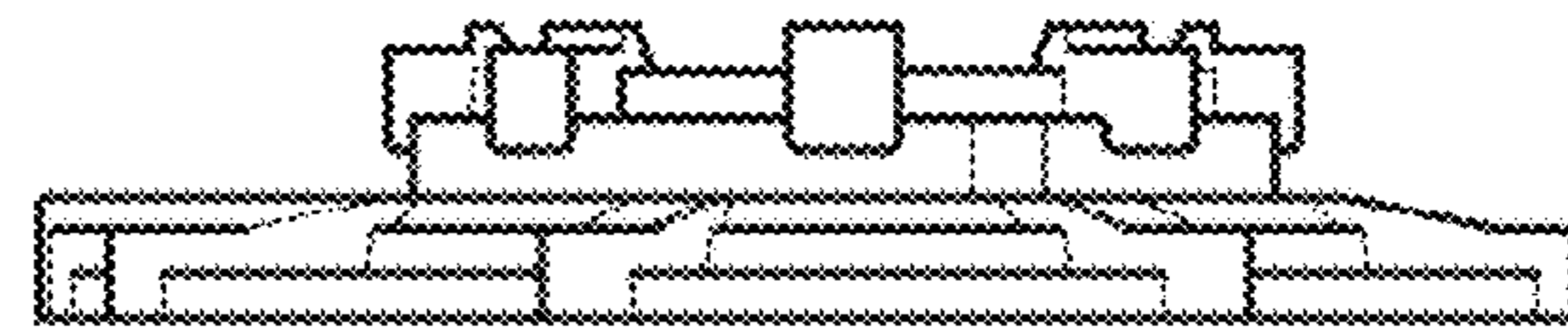


FIGURE 6

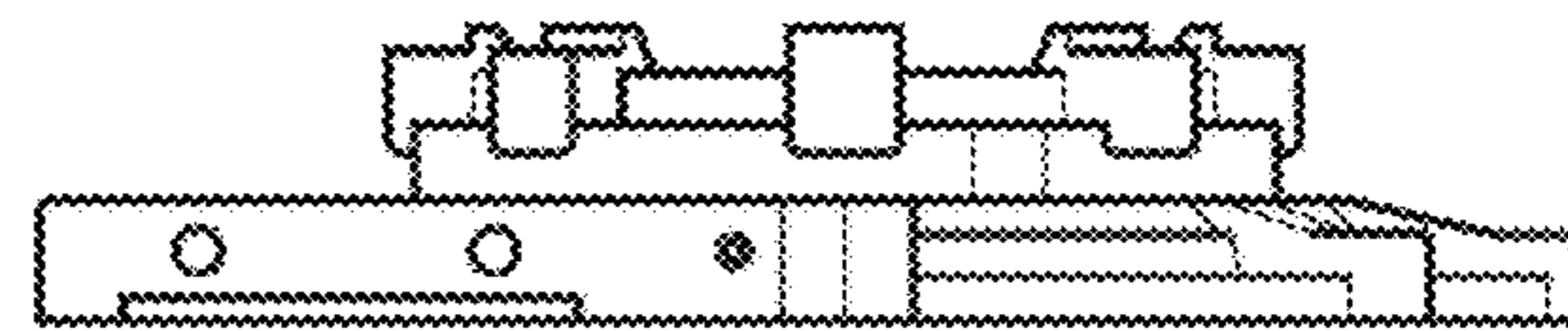


FIGURE 7

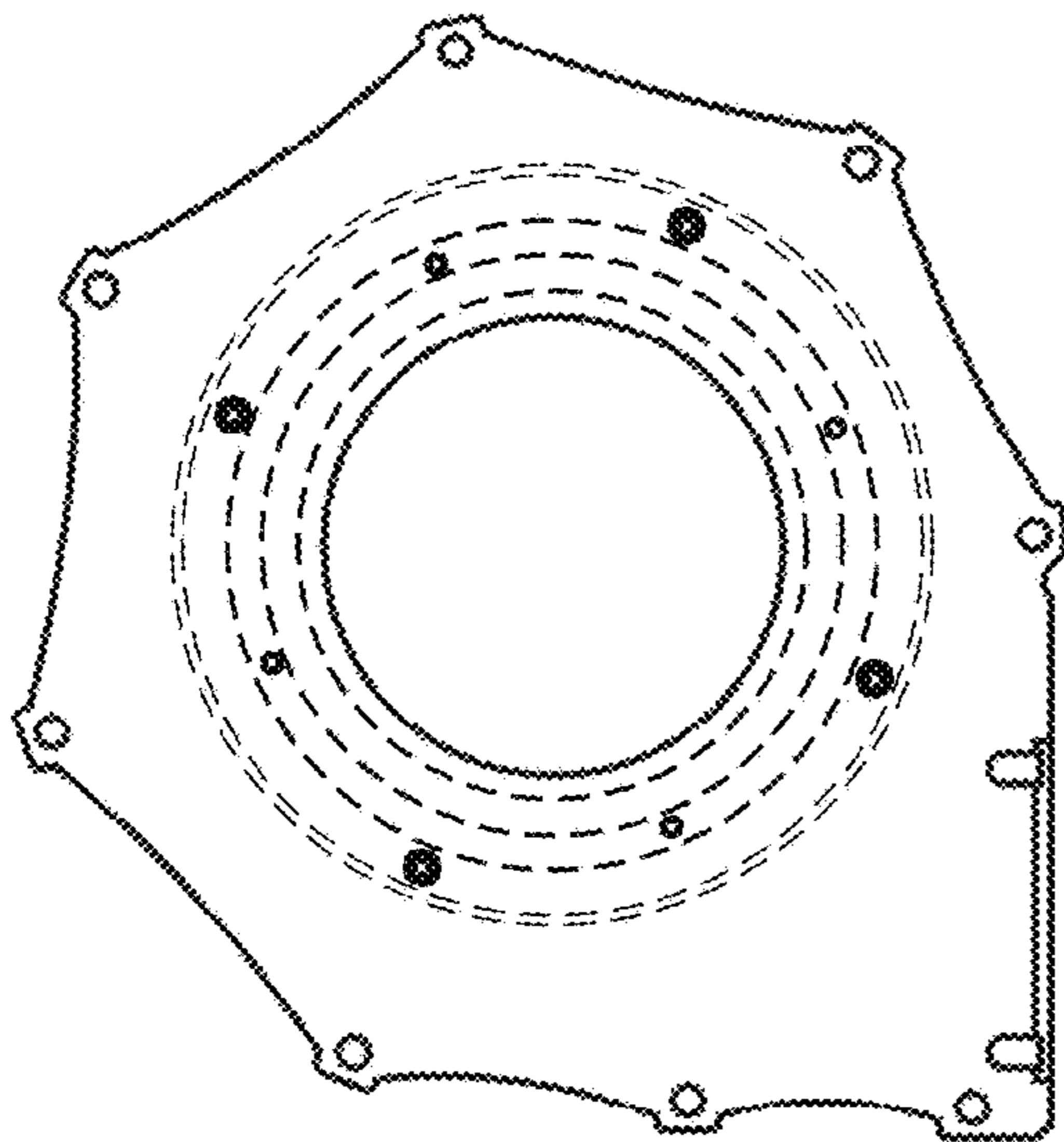


FIGURE 3