



US00D845357S

(12) **United States Design Patent** (10) **Patent No.:** **US D845,357 S**
Chen (45) **Date of Patent:** **** Apr. 9, 2019**

(54) **3D PRINTER**

(71) Applicant: **Hangzhou Weibin Technology Co., Ltd.**, Zhejiang (CN)

(72) Inventor: **Liang Chen**, Chengdu (CN)

(**) Term: **15 Years**

(21) Appl. No.: **29/615,973**

(22) Filed: **Sep. 1, 2017**

(30) **Foreign Application Priority Data**

May 19, 2017 (CN) 2017 3 0187857

(51) **LOC (11) Cl.** **15-09**

(52) **U.S. Cl.**
USPC **D15/122**

(58) **Field of Classification Search**
USPC D7/300, 306, 311, 312; D14/301, 303, D14/420-425, 462-470; D15/122, 135, D15/138; D18/6, 7, 35, 46-50, 54, 54.1, D18/55, 56, 57, 59; D24/100, 232; D34/1, 6, 7, 8, 11

CPC B28B 1/001; B29C 64/00; B29C 64/20; B29C 64/124; B29C 64/153; B29C 67/0051; B33Y 30/00; B65B 5/103

See application file for complete search history.

(56) **References Cited**

U.S. PATENT DOCUMENTS

D730,979 S * 6/2015 Anantha D18/50
D737,345 S * 8/2015 Anantha D15/122
D737,346 S * 8/2015 Anantha D15/122
D744,813 S * 12/2015 Filo D8/354
D745,069 S * 12/2015 Kemperle D15/122
D765,745 S * 9/2016 Cheung D15/122
D791,203 S * 7/2017 Zhang D15/122
D792,487 S * 7/2017 Cruz D15/122
9,878,470 B2 * 1/2018 Livingston B29C 35/0888
2014/0363532 A1 * 12/2014 Wolfram B29C 67/0085
425/113

2016/0288424 A1 * 10/2016 Susnjara B29C 67/0088
2016/0318248 A1 * 11/2016 Susnjara B29C 64/106
2017/0252966 A1 * 9/2017 Susnjara B29C 64/106
2017/0361528 A1 * 12/2017 Busato B29C 64/124

OTHER PUBLICATIONS

Wanhao, posted on aliexpress.com, first purchase Mar. 30, 2018, no production date given, [online], [site visited May 10, 2018], Available from Internet, URL: <https://www.aliexpress.com/item/Wanhao-Duplicator-i3-Mini-3D-Printer-DIY-Desktop-3D-Printer-with-PLA-Filament-Support-FDM-Filament/32838913715>. (Year: 2018).*
i3 Mini, posted on bhphotovideo.com, no posted date given, no production date given, [online], [site visited May 10, 2018], Available from Internet, URL: https://www.bhphotovideo.com/c/product/1388556-REG/monoprice_30441_mp_i3_mini_3d.html? (Year: 2018).*

* cited by examiner

Primary Examiner — Garth Rademaker
Assistant Examiner — Fritzgerald L Butac
(74) *Attorney, Agent, or Firm* — Prakash Nama; Global IP Services, PLLC

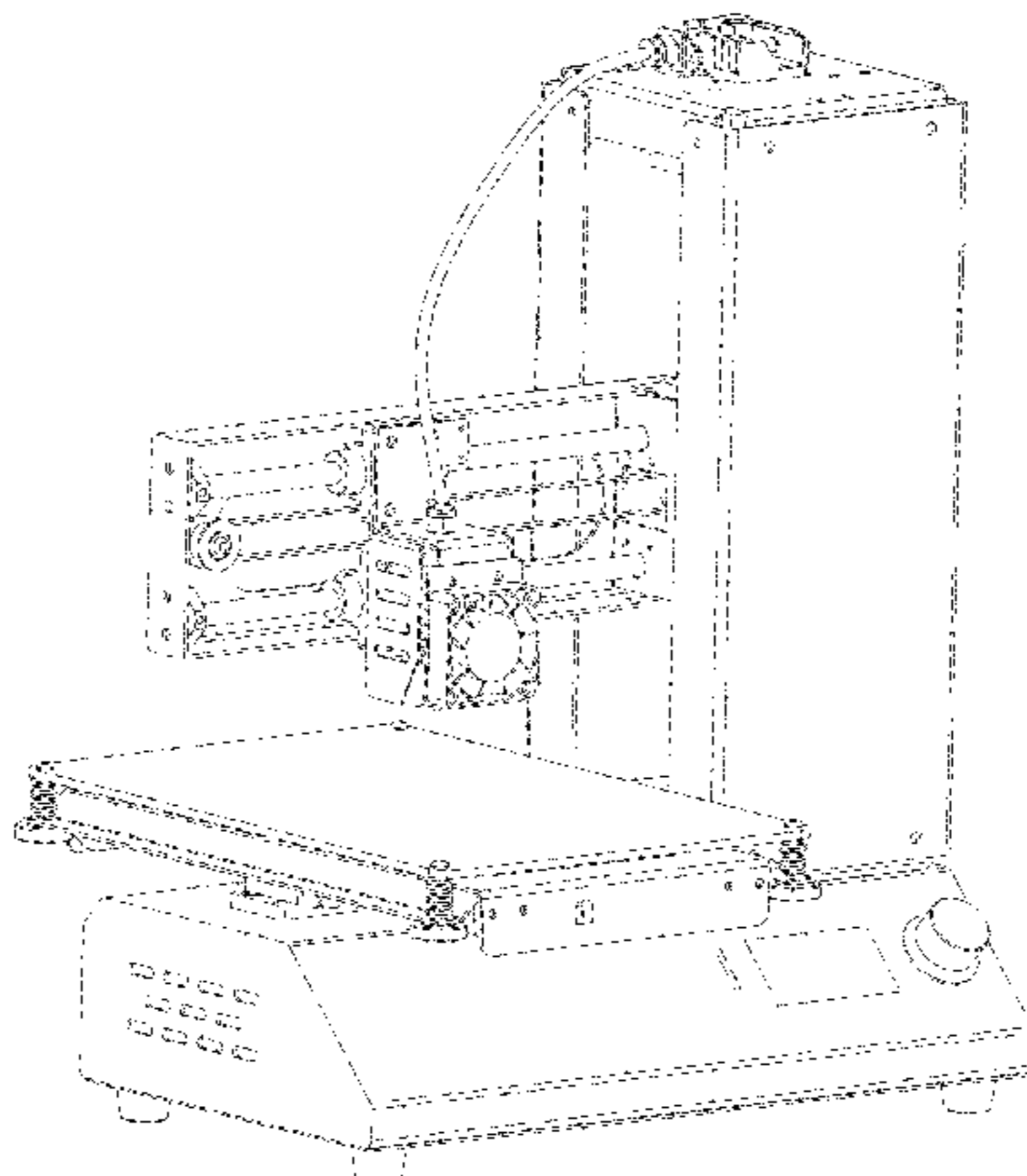
(57) **CLAIM**

The ornamental design for a 3D printer, as shown and described.

DESCRIPTION

FIG. 1 is a front elevational view of a 3D printer showing my new design;
FIG. 2 is a rear elevational view thereof;
FIG. 3 is a left side view thereof;
FIG. 4 is a right side view thereof;
FIG. 5 is a top plan view thereof;
FIG. 6 is a bottom plan view thereof;
FIG. 7 is a perspective view thereof; and,
FIG. 8 is another perspective view thereof.
The broken lines show portions of a 3D printer that form no part of the claimed design.

1 Claim, 8 Drawing Sheets



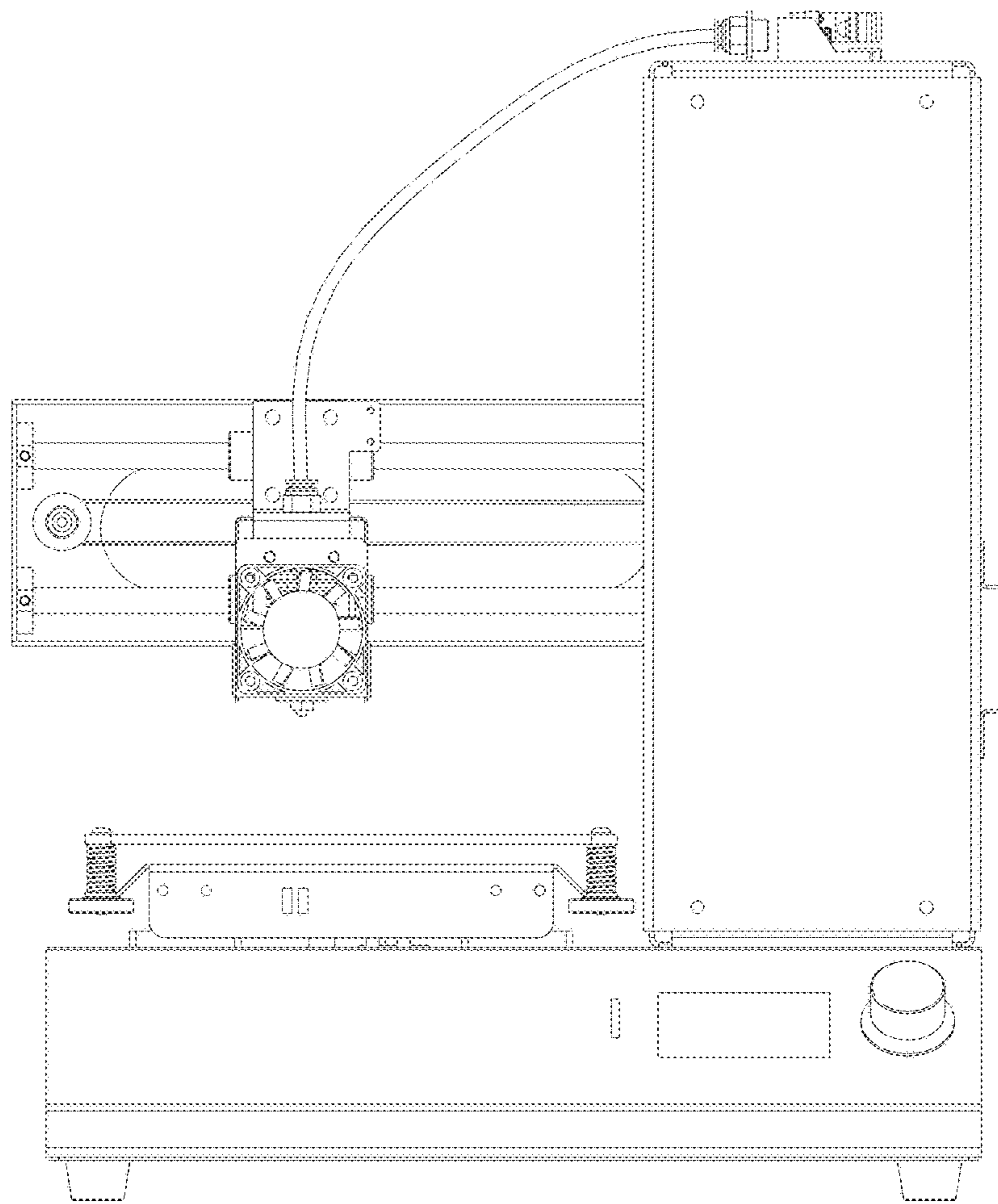


Fig. 1

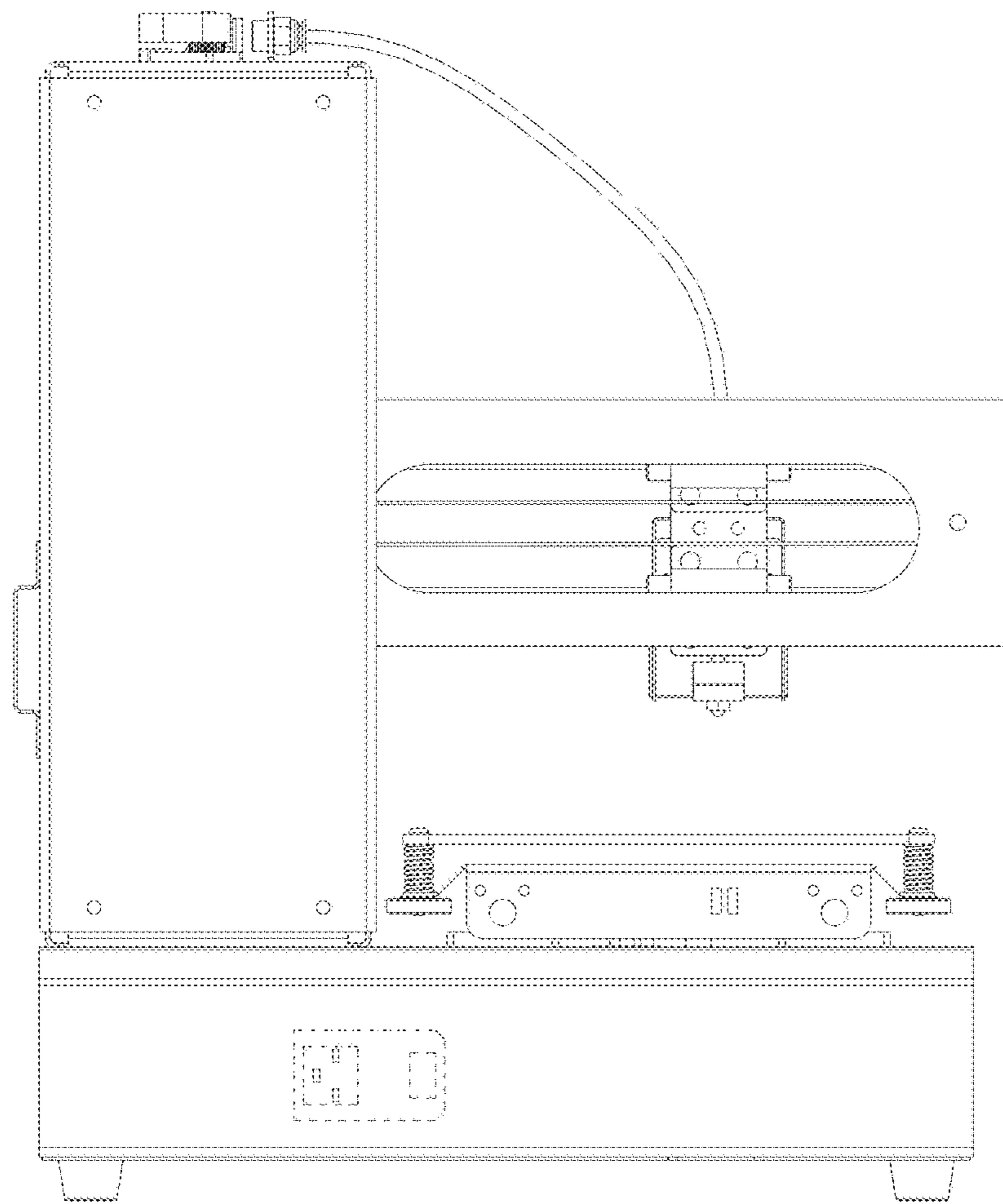


Fig. 2

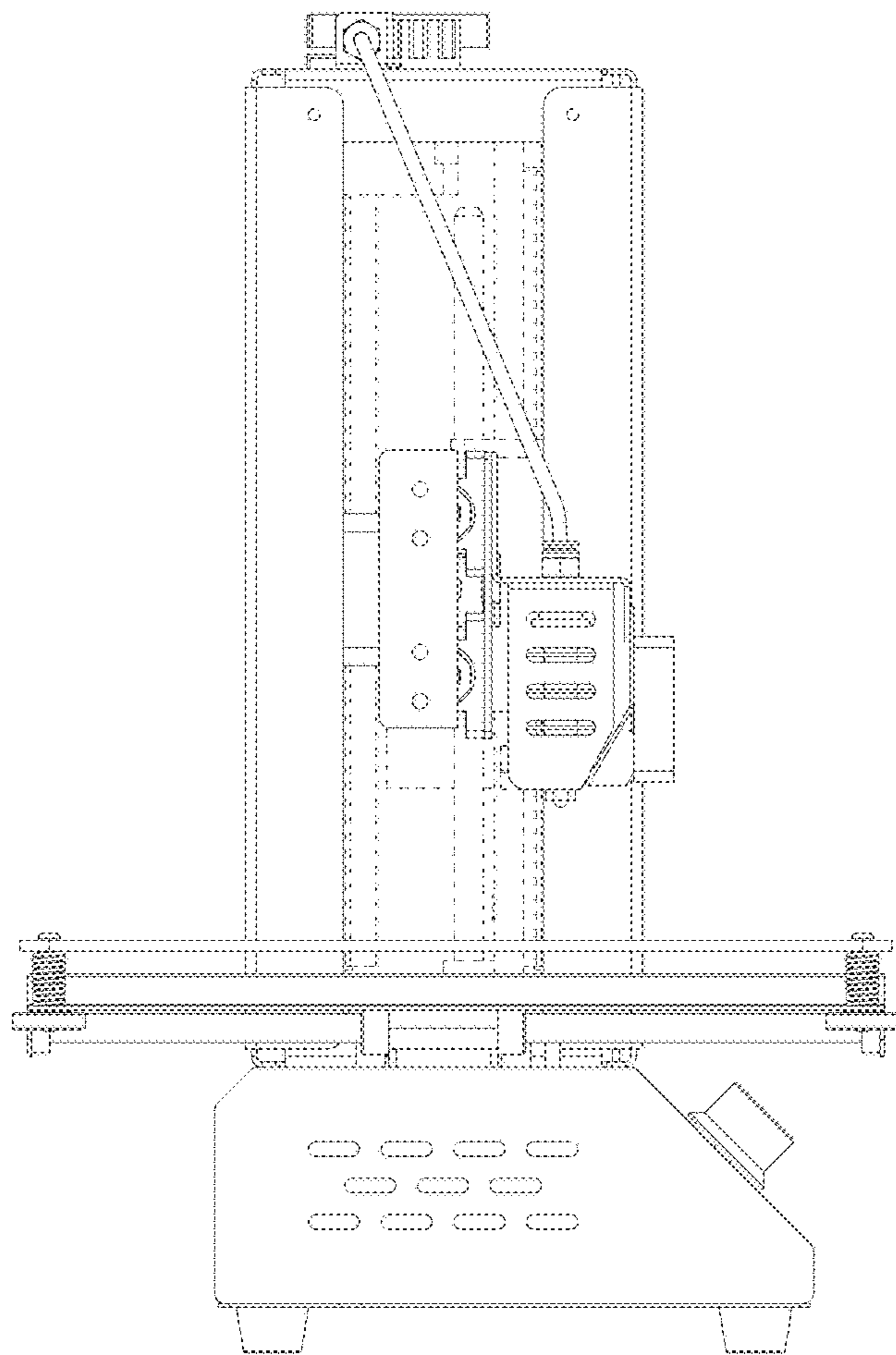


Fig. 3

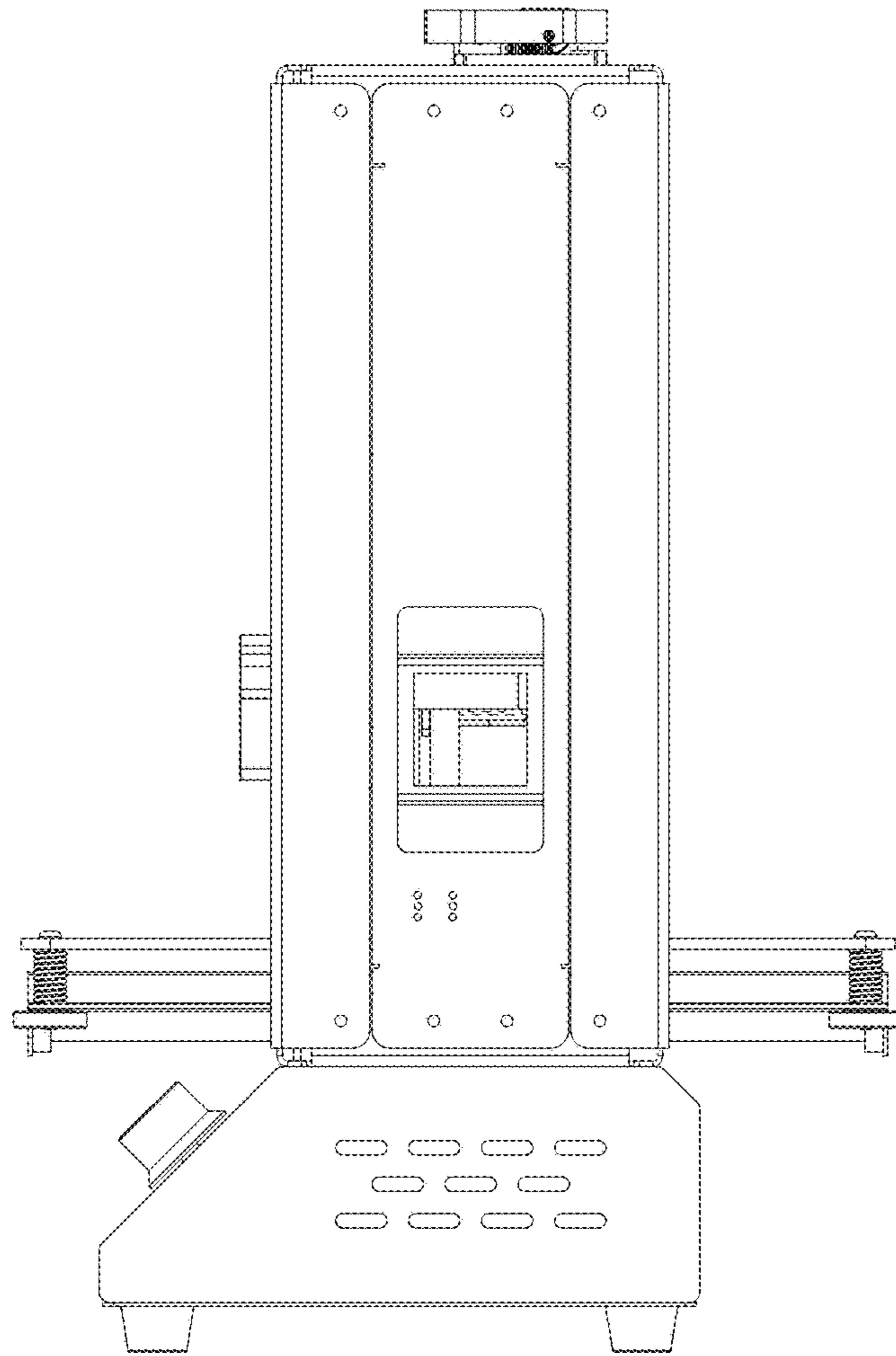


Fig. 4

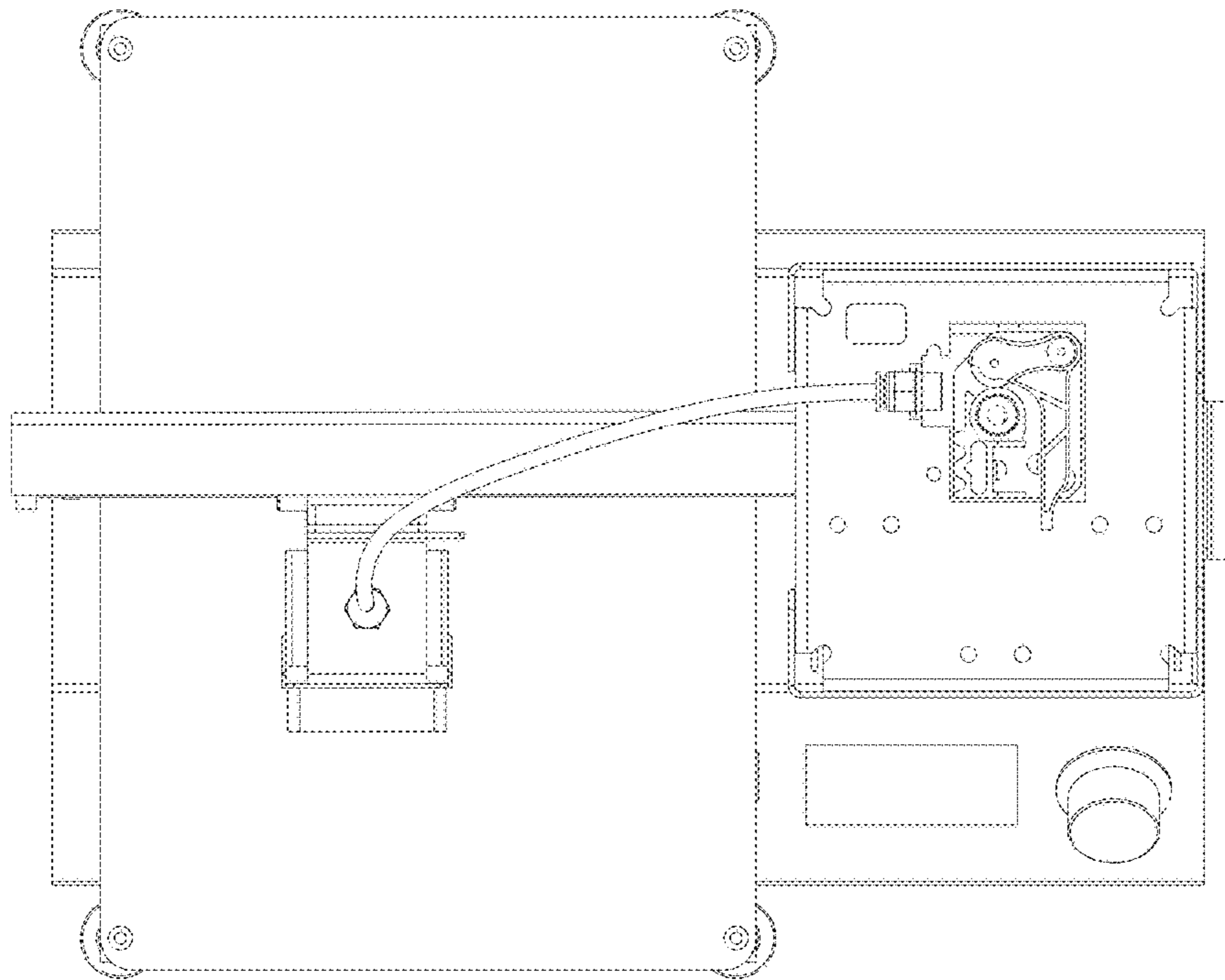


Fig. 5

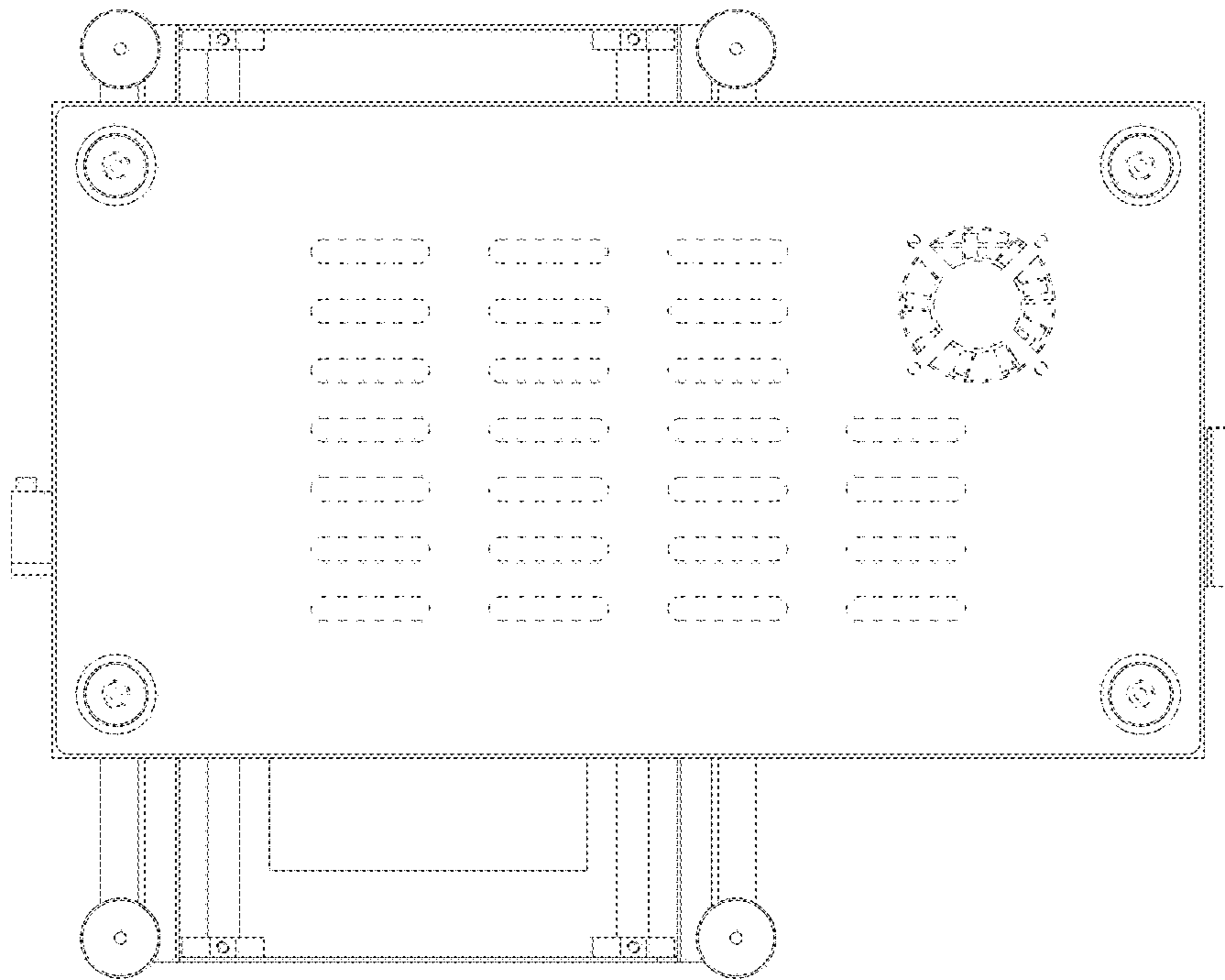


Fig. 6

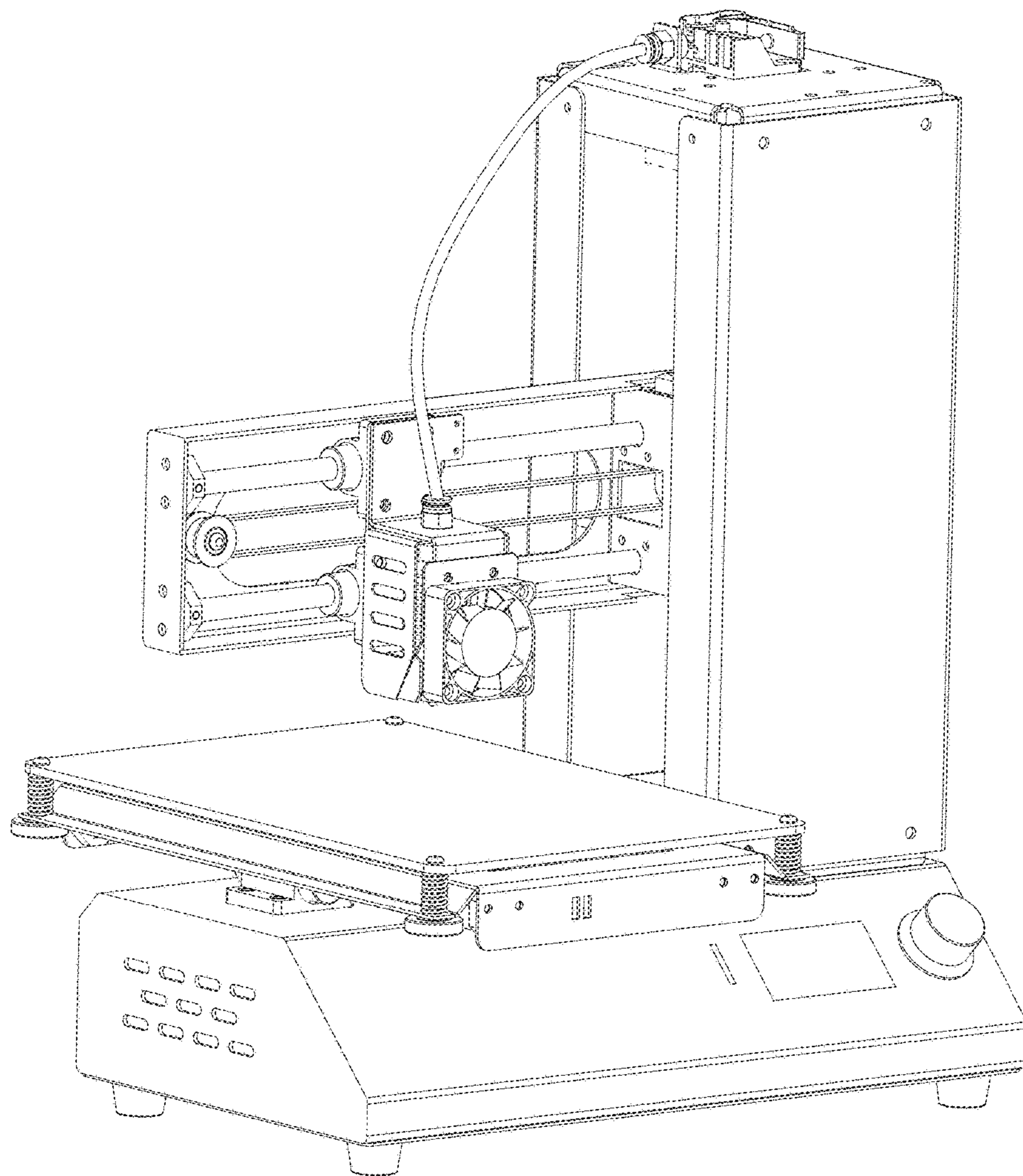


Fig. 7

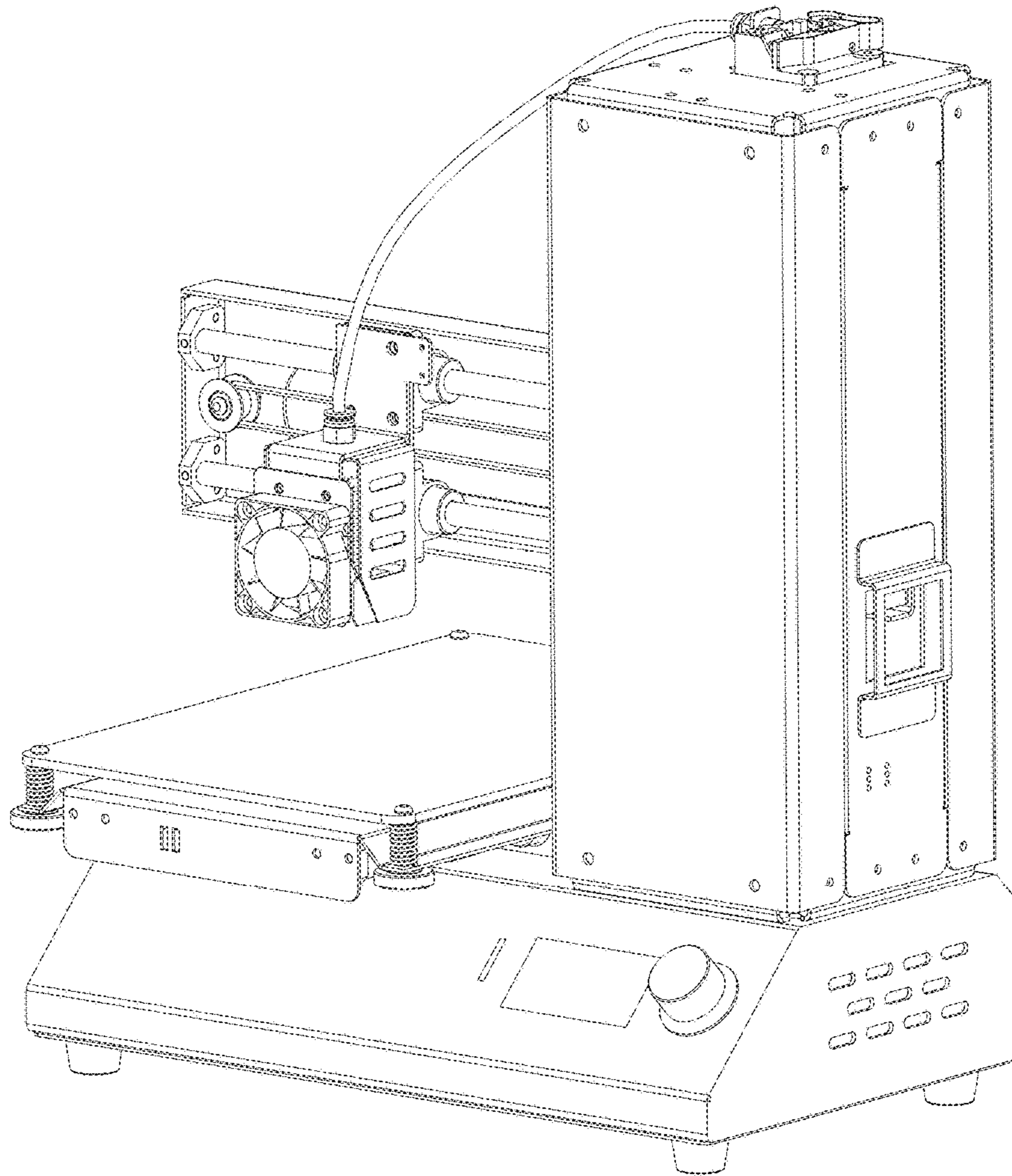


Fig. 8