



US00D845354S

(12) **United States Design Patent**
Marco

(10) **Patent No.:** **US D845,354 S**
(45) **Date of Patent:** **** Apr. 9, 2019**

(54) **SHREDDING AND SIFTING MACHINE**

(71) Applicant: **CAMS S.R.L.**, San Pietro Terme (IT)

(72) Inventor: **Venturi Marco**, Bologna (IT)

(**) Term: **15 Years**

(21) Appl. No.: **35/503,716**

(22) Filed: **Sep. 11, 2017**

(80) **Hague Agreement Data**

Int. Filing Date: **Sep. 11, 2017**

Int. Reg. No.: **DM/097692**

Int. Reg. Date: **Sep. 11, 2017**

Int. Reg. Pub. Date: **Sep. 29, 2017**

(30) **Foreign Application Priority Data**

Mar. 22, 2017 (EM) 003817675

(51) **LOC (11) Cl.** **15-03**

(52) **U.S. Cl.**

USPC **D15/24**

CPC **E01C 23/12** (2013.01)

(58) **Field of Classification Search**

USPC D15/19-32; 404/93, 107, 133.2, 112,
404/118-122

CPC E01C 23/12

See application file for complete search history.

(56) **References Cited**

U.S. PATENT DOCUMENTS

- 2,768,794 A * 10/1956 Putnam B02C 21/02
241/186.3
- 3,732,623 A * 5/1973 Bopst, III G01B 3/12
33/779
- 3,843,274 A * 10/1974 Gutman B62D 55/084
404/91
- 3,952,811 A * 4/1976 Carre B02C 13/04
172/45

- 4,043,601 A * 8/1977 Schiller E01C 23/0913
299/36.1
- 4,309,126 A * 1/1982 Pfaff E04G 23/08
241/271
- 4,560,207 A * 12/1985 Eftefield E01C 23/121
241/101.75
- 4,676,688 A * 6/1987 Caradot E01C 19/466
198/308.1
- 4,793,730 A * 12/1988 Butch E01C 23/065
404/77
- 4,929,120 A * 5/1990 Wiley E01C 23/065
404/77
- 4,946,307 A * 8/1990 Jakob E01C 23/065
404/90
- 5,026,205 A * 6/1991 Gorski E01C 19/025
241/101.73
- 5,028,170 A * 7/1991 Gorski E01C 19/025
241/101.73
- 5,078,540 A * 1/1992 Jakob E01C 23/088
299/39.8
- 5,315,770 A * 5/1994 Campbell E02F 3/188
37/190
- 5,441,361 A * 8/1995 Campbell E01C 23/065
366/20
- 5,664,907 A * 9/1997 Betsinger E01C 23/121
241/101.742
- 5,823,707 A * 10/1998 Lodovico E02F 3/20
404/91

(Continued)

Primary Examiner — Richard E Chilcot

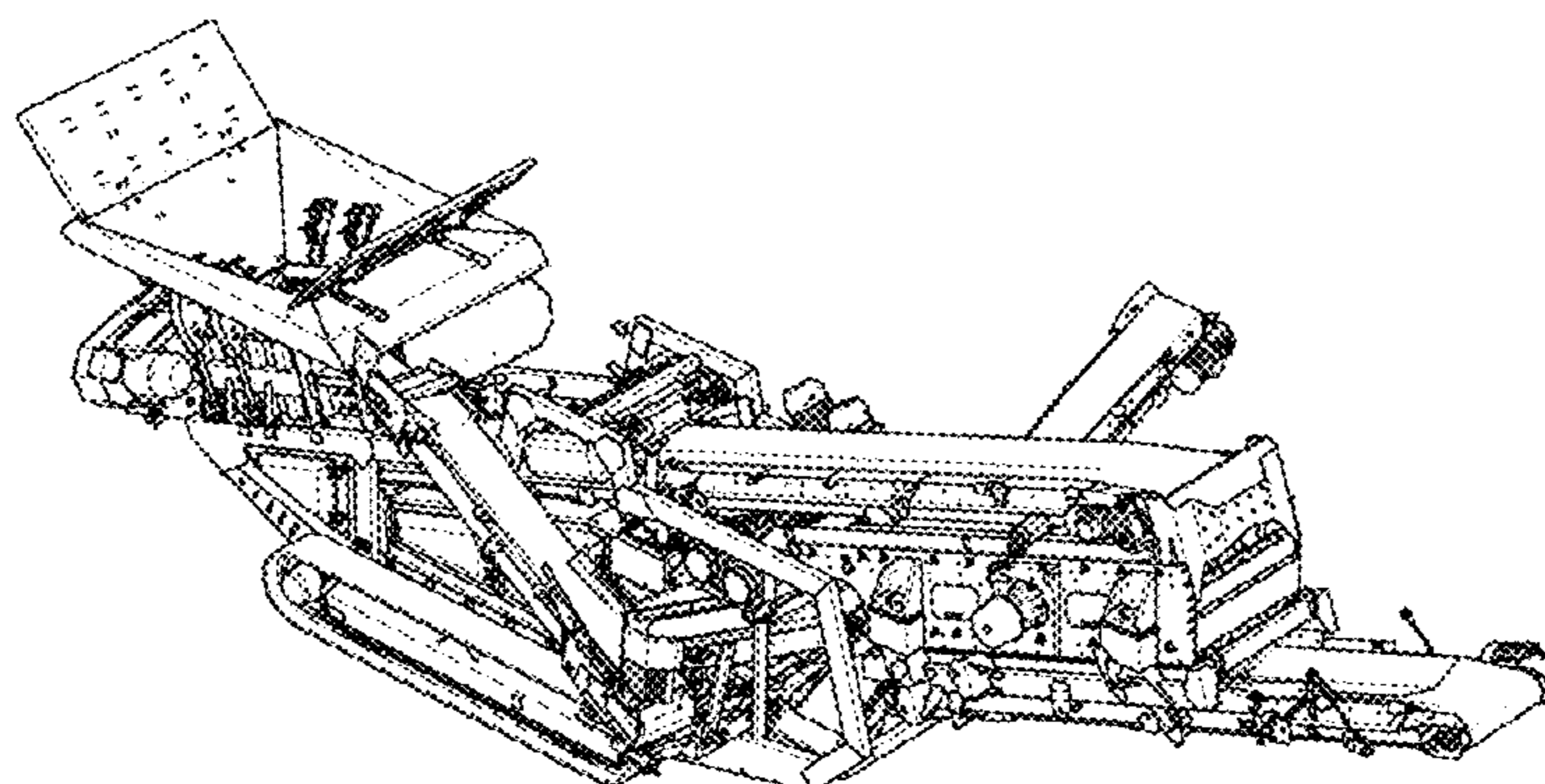
(57) **CLAIM**

The ornamental design for a shredding and sifting machine, as shown.

DESCRIPTION

FIG. 1.1 is a front perspective view of a shredding and sifting machine showing my new design; FIG. 1.2 is a right side elevational view thereof; FIG. 1.3 is a left side elevational view thereof; FIG. 1.4 is a top plan view thereof; FIG. 1.5 is a rear elevational view thereof; FIG. 1.6 is a front elevational view thereof; and FIG. 1.7 is a rear perspective view thereof.

1 Claim, 7 Drawing Sheets



(56)

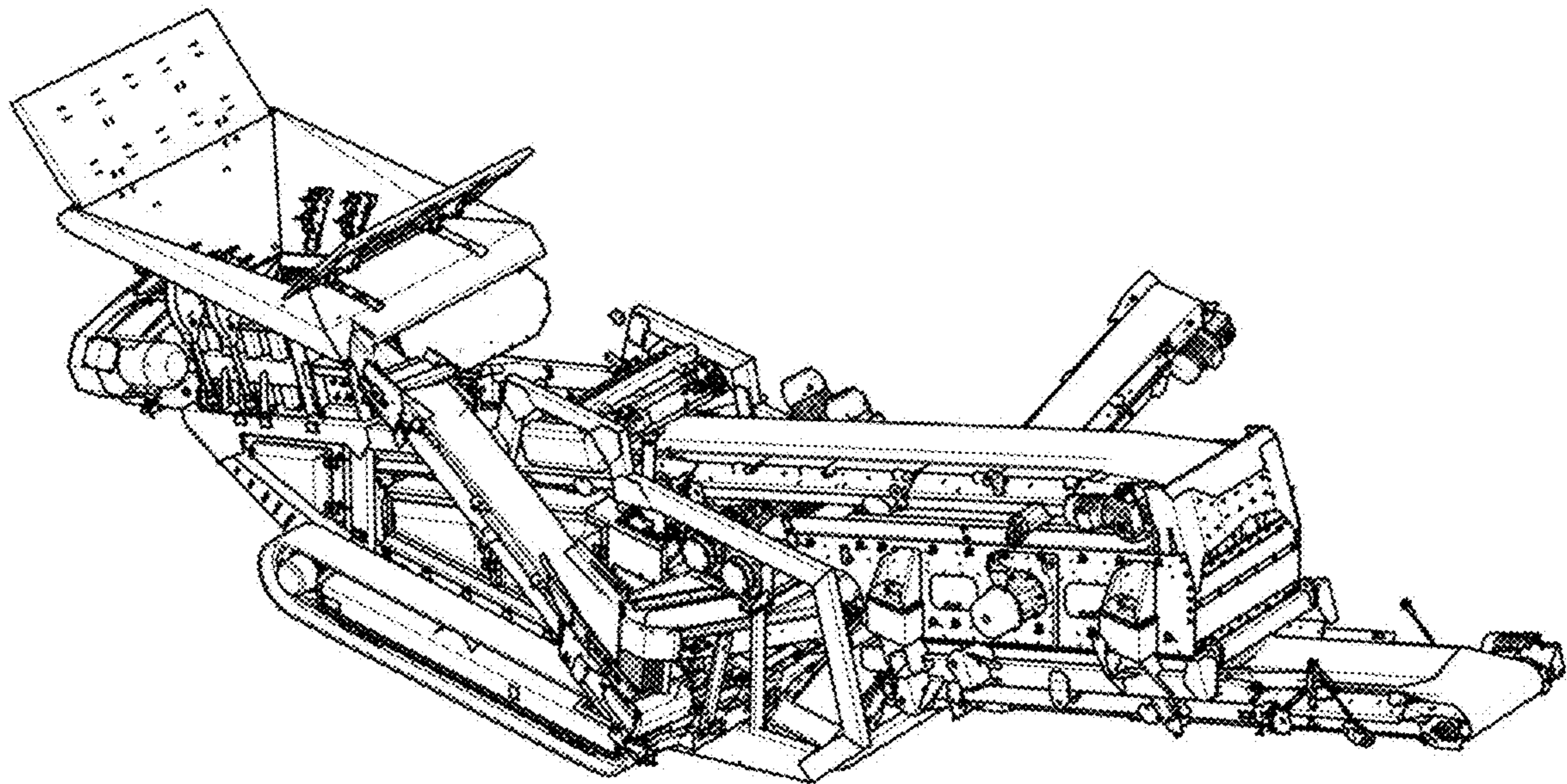
References Cited

U.S. PATENT DOCUMENTS

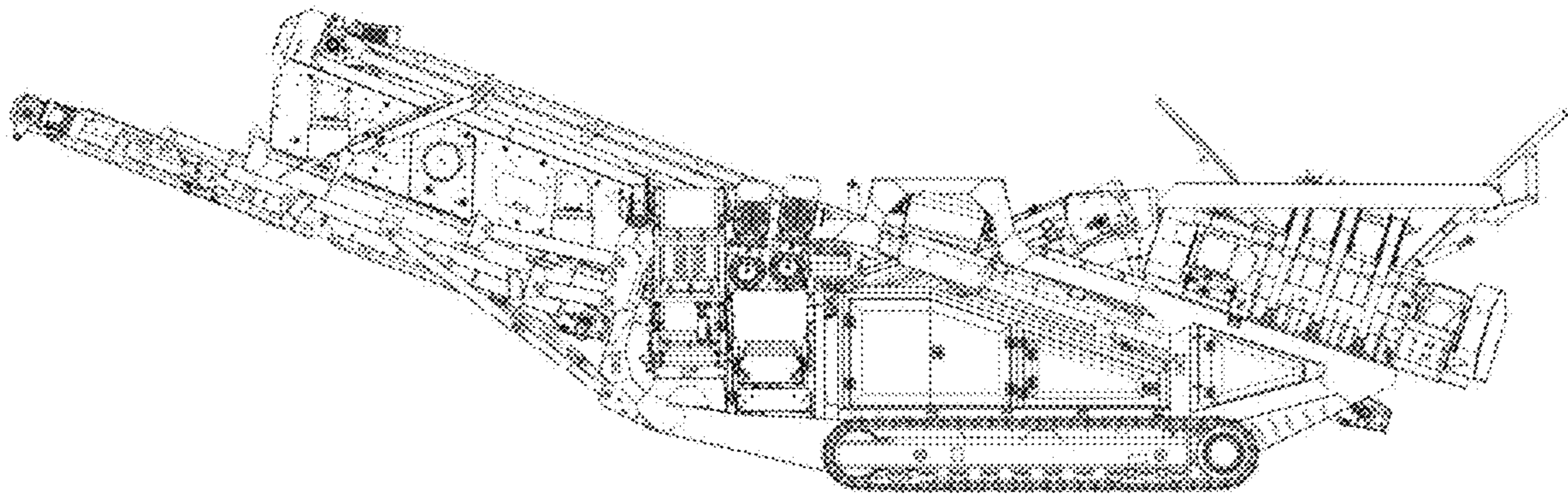
6,935,587	B2 *	8/2005	Brock	B02C 21/02 241/101.76
7,066,555	B2 *	6/2006	Hansen	B28D 1/188 299/39.8
7,104,510	B2 *	9/2006	Beller	E01C 23/088 248/56
7,264,104	B2 *	9/2007	Heeszal	B02C 21/02 198/314
7,357,595	B1 *	4/2008	Pfaff	E01C 23/121 299/37.5
7,464,889	B2 *	12/2008	Westerman	B02C 21/02 241/101.76
8,162,245	B2 *	4/2012	Sauser	B02C 21/02 241/76
D700,633	S *	3/2014	Giles	D15/19
8,834,063	B2 *	9/2014	Harakawa	E01C 23/0933 404/77

* cited by examiner

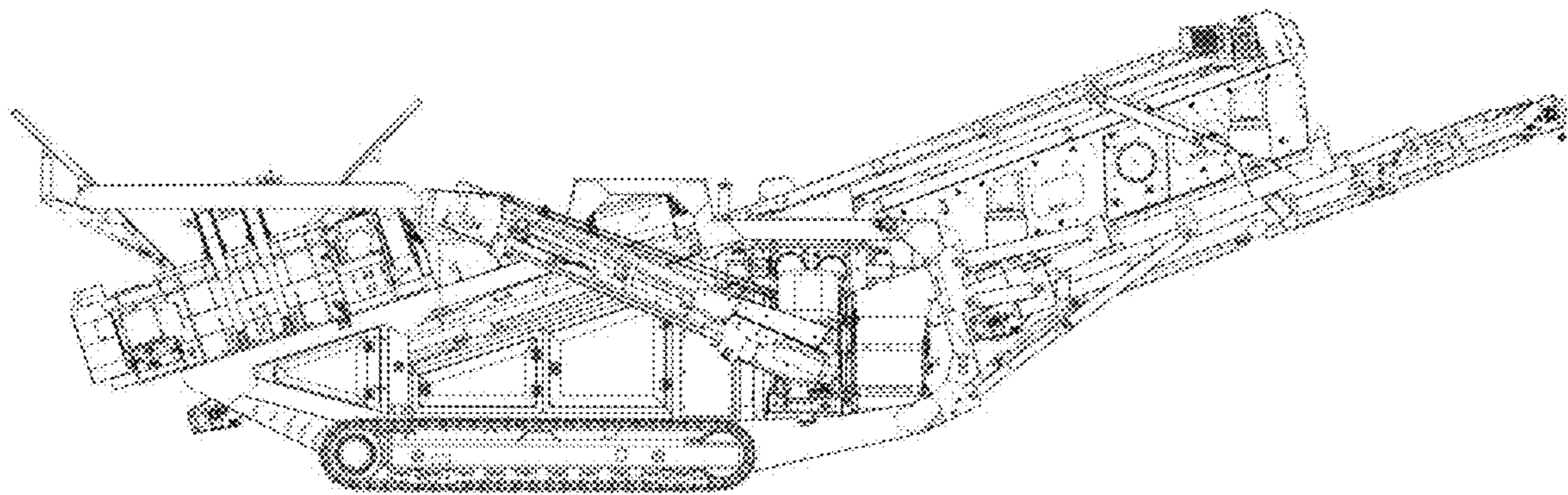
1.1



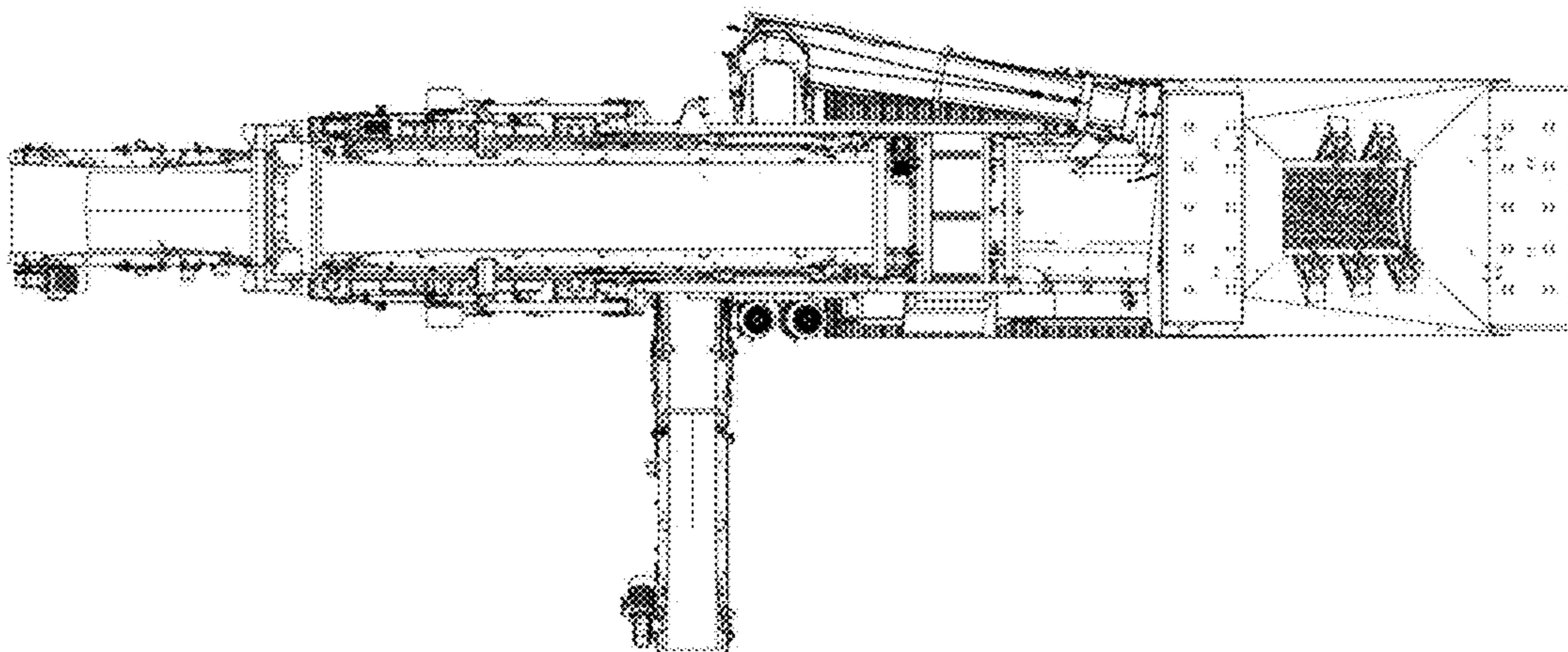
1.2



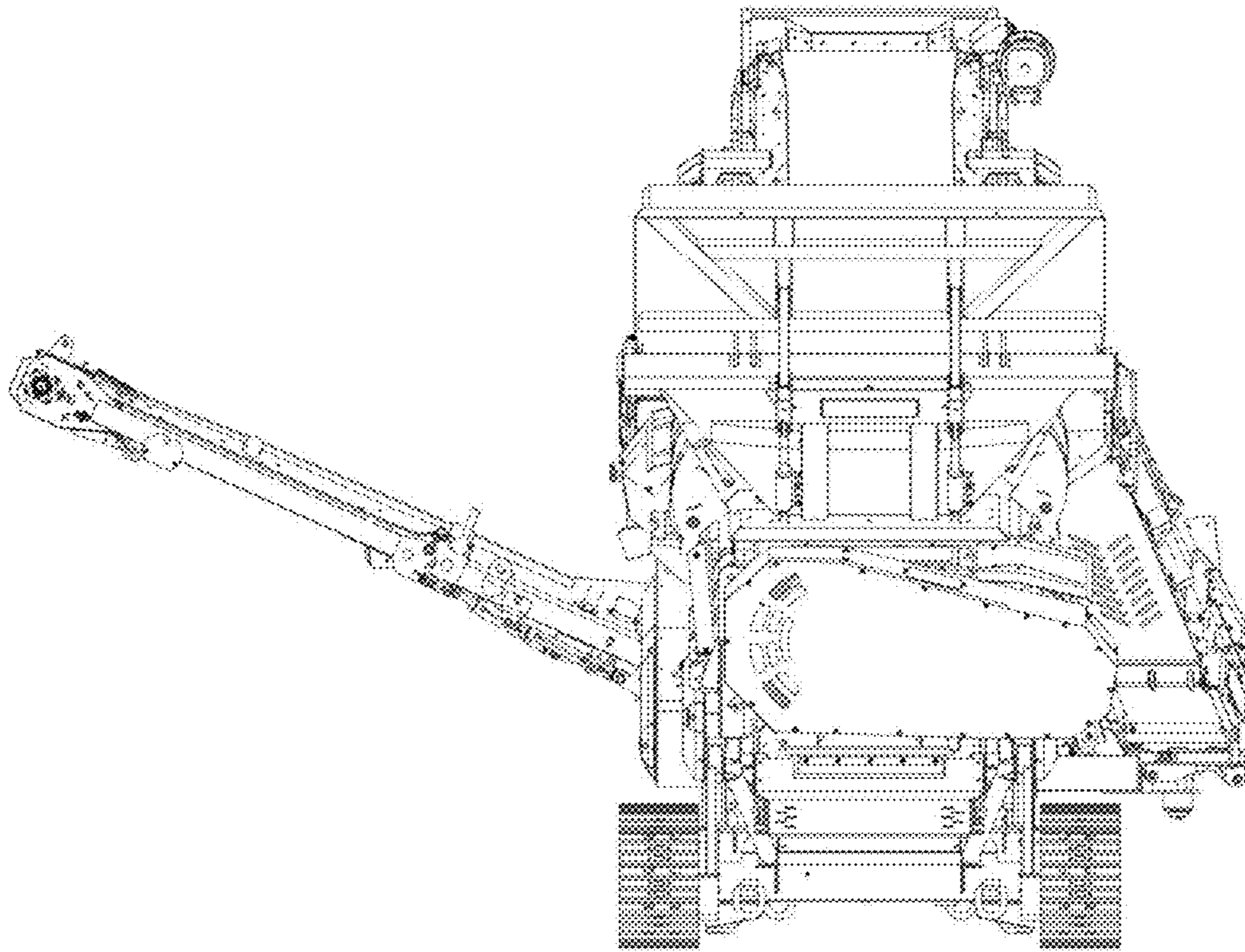
1.3



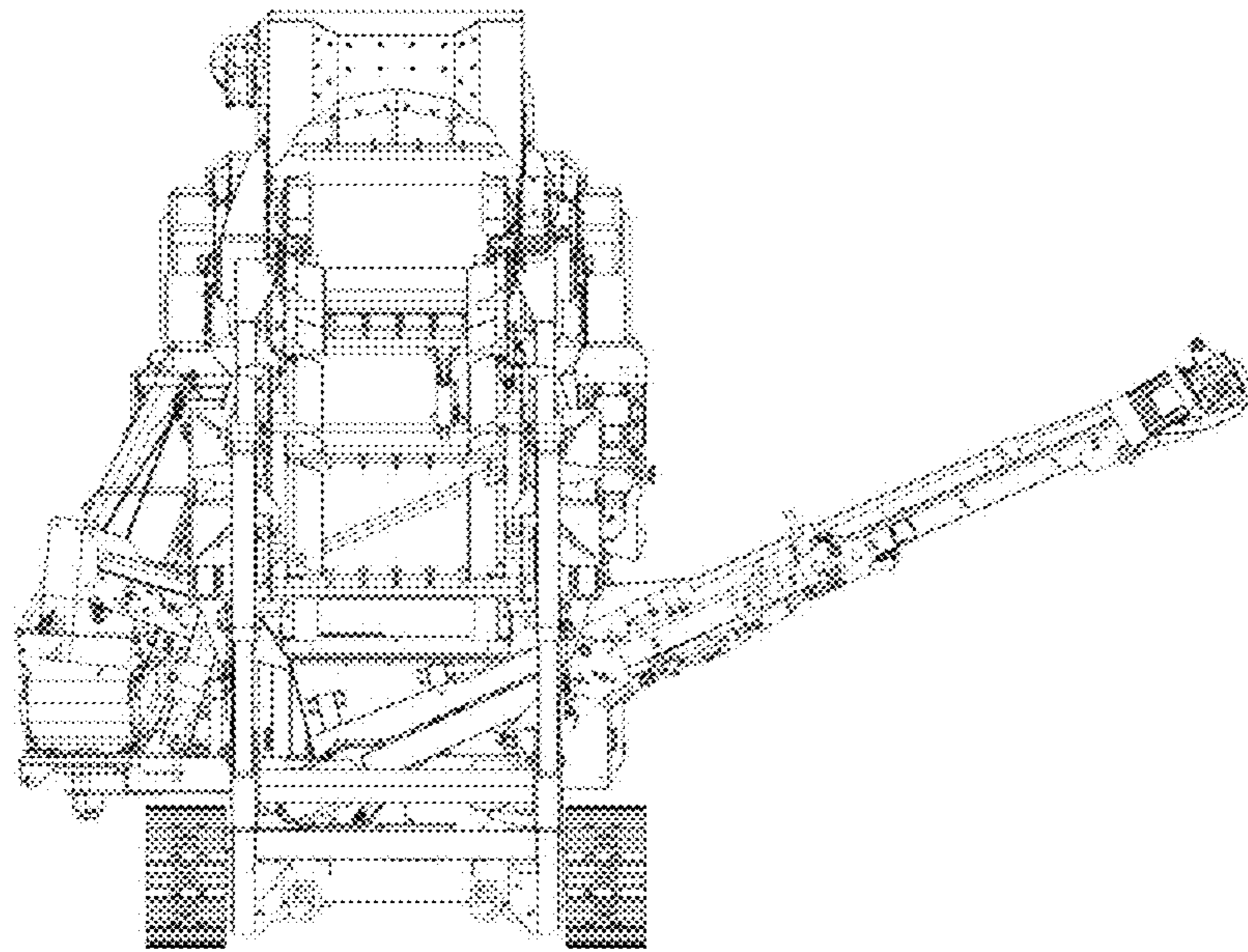
1.4



1.5



1.6



1.7

