



US00D845353S

(12) **United States Design Patent**
Steiner

(10) **Patent No.:** **US D845,353 S**

(45) **Date of Patent:** **** Apr. 9, 2019**

(54) **SNOW GROOMER**

(71) Applicant: **PRINOTH S.p.A.**, Vipiteno (IT)

(72) Inventor: **Gunther Steiner**, Colle Isarco (IT)

(73) Assignee: **PRINOTH S.p.A.**, Vipiteno (IT)

(**) Term: **15 Years**

(21) Appl. No.: **29/580,467**

(22) Filed: **Oct. 10, 2016**

(30) **Foreign Application Priority Data**

Apr. 11, 2016 (EM) 003064351

(51) **LOC (11) Cl.** **12-09**

(52) **U.S. Cl.**
USPC **D15/24**

(58) **Field of Classification Search**
USPC D15/10, 11, 22-26, 28, 30; 180/184;
305/144; 37/196, 219
CPC B62D 55/06; B62D 55/305; B62D 55/14;
B62D 55/12; B62B 19/00
See application file for complete search history.

(56) **References Cited**

U.S. PATENT DOCUMENTS

D249,523 S * 9/1978 Segales D15/30
D253,174 S * 10/1979 Mason D15/12
D274,801 S * 7/1984 Griffin D12/7
5,240,366 A * 8/1993 Bamford B60K 20/00
212/261
5,335,739 A * 8/1994 Pieterse B62D 9/00
180/242

(Continued)

Primary Examiner — Mark A Goodwin

(74) *Attorney, Agent, or Firm* — Neal, Gerber & Eisenberg LLP

(57) **CLAIM**

The ornamental design for a snow groomer, as shown and described herein.

DESCRIPTION

FIG. 1 is a front/side perspective view of one embodiment of a snow groomer showing my new design, that portion of the snow groomer shown in phantom is not part of the design sought to be patented and is provided for environmental purposes only.

FIG. 2 is a front view of the snow groomer of the embodiment of my new design illustrated in FIG. 1, that portion of the snow groomer shown in phantom is not part of the design sought to be patented and is provided for environmental purposes only.

FIG. 3 is a rear view of the snow groomer of the embodiment of my new design illustrated in FIG. 1, that portion of the snow groomer shown in phantom is not part of the design sought to be patented and is provided for environmental purposes only.

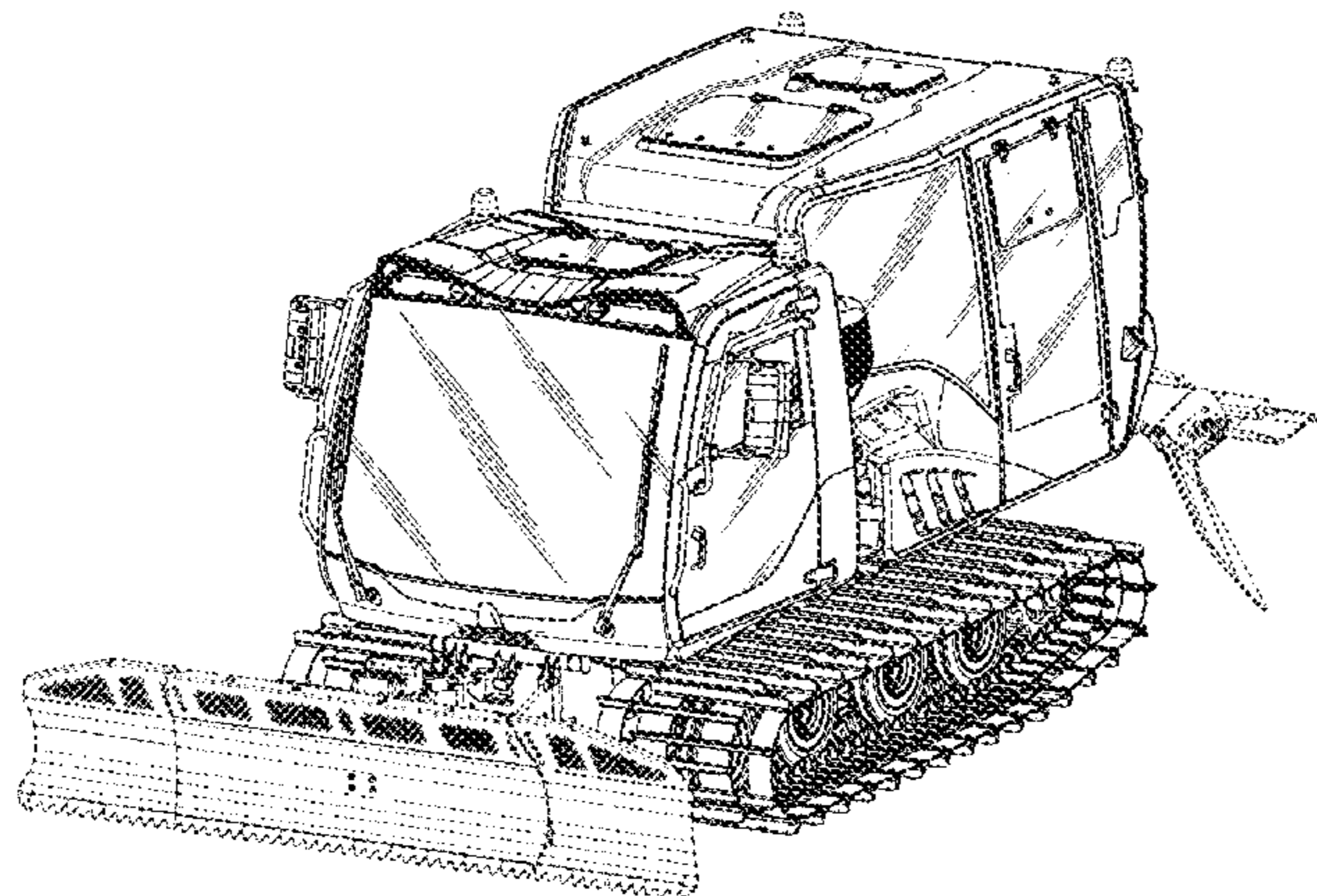
FIG. 4 is a side view of the snow groomer of the embodiment of my new design illustrated in FIG. 1, that portion of the snow groomer shown in phantom is not part of the design sought to be patented and is provided for environmental purposes only.

FIG. 5 is a opposite side view of the snow groomer of the embodiment of my new design illustrated in FIG. 1, that portion of the snow groomer shown in phantom is not part of the design sought to be patented and is provided for environmental purposes only.

FIG. 6 is a top view of the snow groomer of the embodiment of my new design illustrated in FIG. 1, that portion of the snow groomer shown in phantom is not part of the design sought to be patented and is provided for environmental purposes only; and,

FIG. 7 is a bottom view of the snow groomer of the embodiment of my new design illustrated in FIG. 1, that portion of the snow groomer shown in phantom is not part of the design sought to be patented and is provided for environmental purposes only.

1 Claim, 7 Drawing Sheets



(56)

References Cited

U.S. PATENT DOCUMENTS

D366,267 S * 1/1996 Lepoix D15/30
 D384,358 S * 9/1997 Smith D15/30
 D398,616 S * 9/1998 Kwak D15/30
 5,807,061 A * 9/1998 Donoghue E02F 3/3411
 414/697
 D440,236 S * 4/2001 Kraft D15/28
 D445,233 S * 7/2001 Deroure D15/30
 D449,252 S * 10/2001 Takeshita D12/11
 6,671,983 B2 * 1/2004 Quenzi E01H 4/02
 37/222
 6,810,609 B2 * 11/2004 Lassonde E01H 4/02
 172/123
 D500,056 S * 12/2004 DeYoung D15/31
 D630,551 S * 1/2011 Vermeersch D12/11
 D720,370 S * 12/2014 Carter D15/30
 D762,248 S * 7/2016 Steinhardt D15/30
 D773,536 S * 12/2016 Fiser D15/28
 D774,107 S * 12/2016 Fiser D15/28
 D774,111 S * 12/2016 Underhill D15/30
 D775,244 S * 12/2016 Hart D15/30
 D777,805 S * 1/2017 Steinhardt D15/30
 D780,231 S * 2/2017 Saari D15/30
 D780,232 S * 2/2017 Saari D15/30
 2002/0035797 A1 * 3/2002 Quenzi E01H 4/02
 37/222
 2003/0051376 A1 * 3/2003 Lassonde E01H 4/02
 37/348

2003/0154633 A1 * 8/2003 Lassonde E01H 4/02
 37/219
 2004/0069981 A1 * 4/2004 Pelletier B66D 1/38
 254/385
 2004/0083627 A1 * 5/2004 Pelletier E01H 4/02
 37/219
 2004/0144000 A1 * 7/2004 Kanzler E01H 4/02
 37/196
 2009/0000833 A1 * 1/2009 Dorais B62D 55/084
 180/9.1
 2009/0007461 A1 * 1/2009 Pelletier B62D 55/06
 37/219
 2009/0013562 A1 * 1/2009 Pelletier B62D 55/06
 37/219
 2012/0117832 A1 * 5/2012 Mueller E01H 4/02
 37/221
 2012/0305321 A1 * 12/2012 Wagger B60G 5/01
 180/9.52
 2013/0138304 A1 * 5/2013 Wagger E01H 4/02
 701/50
 2013/0192096 A1 * 8/2013 Runggaldier E01H 4/02
 37/197
 2016/0318423 A1 * 11/2016 Thibault E01H 4/02
 2017/0210605 A1 * 7/2017 Insam B66D 1/38
 2017/0225603 A1 * 8/2017 Campi B60P 3/025
 2017/0233017 A1 * 8/2017 Kuhn B62D 55/06
 180/9.5

* cited by examiner

FIG. 1

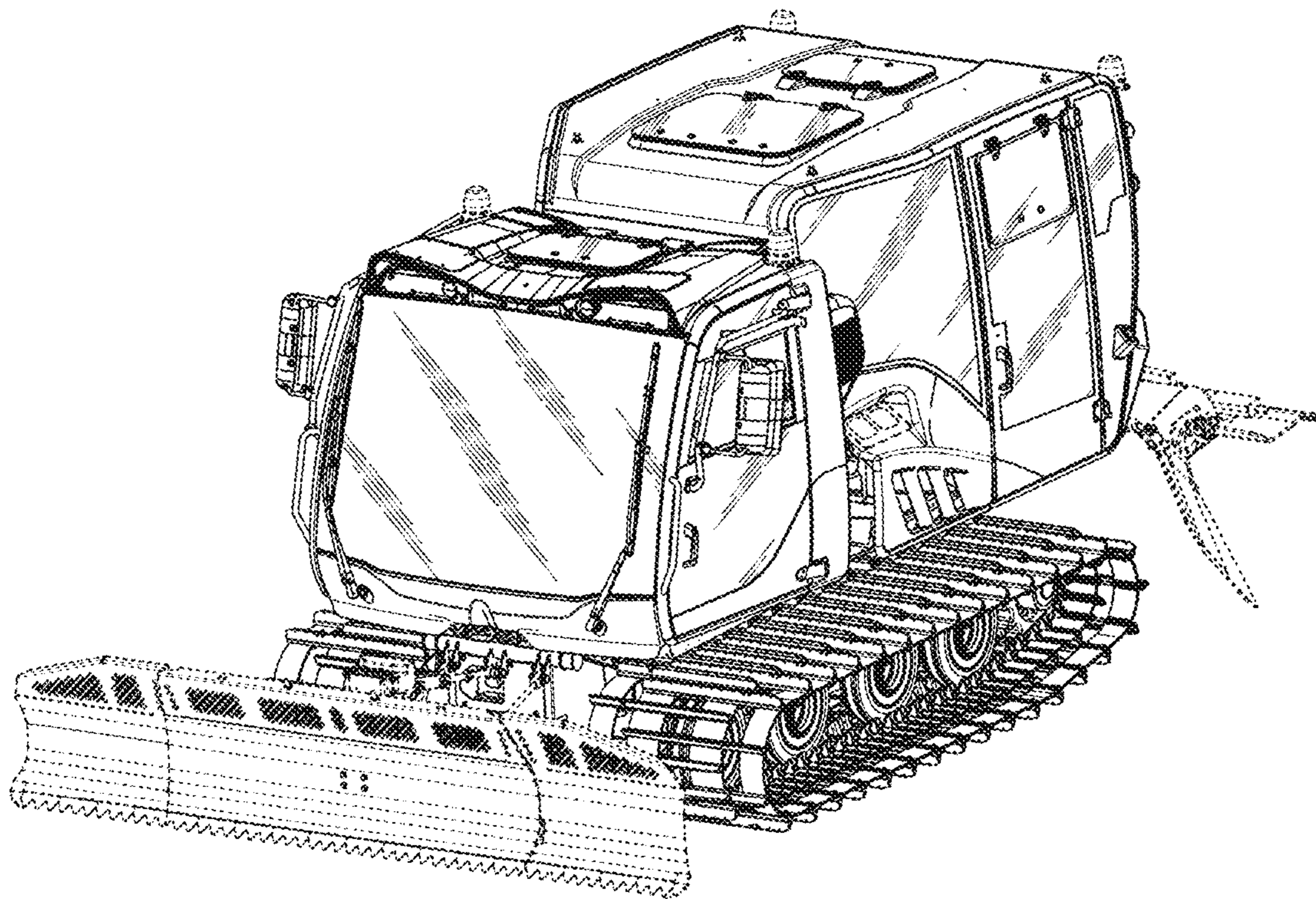


FIG. 2

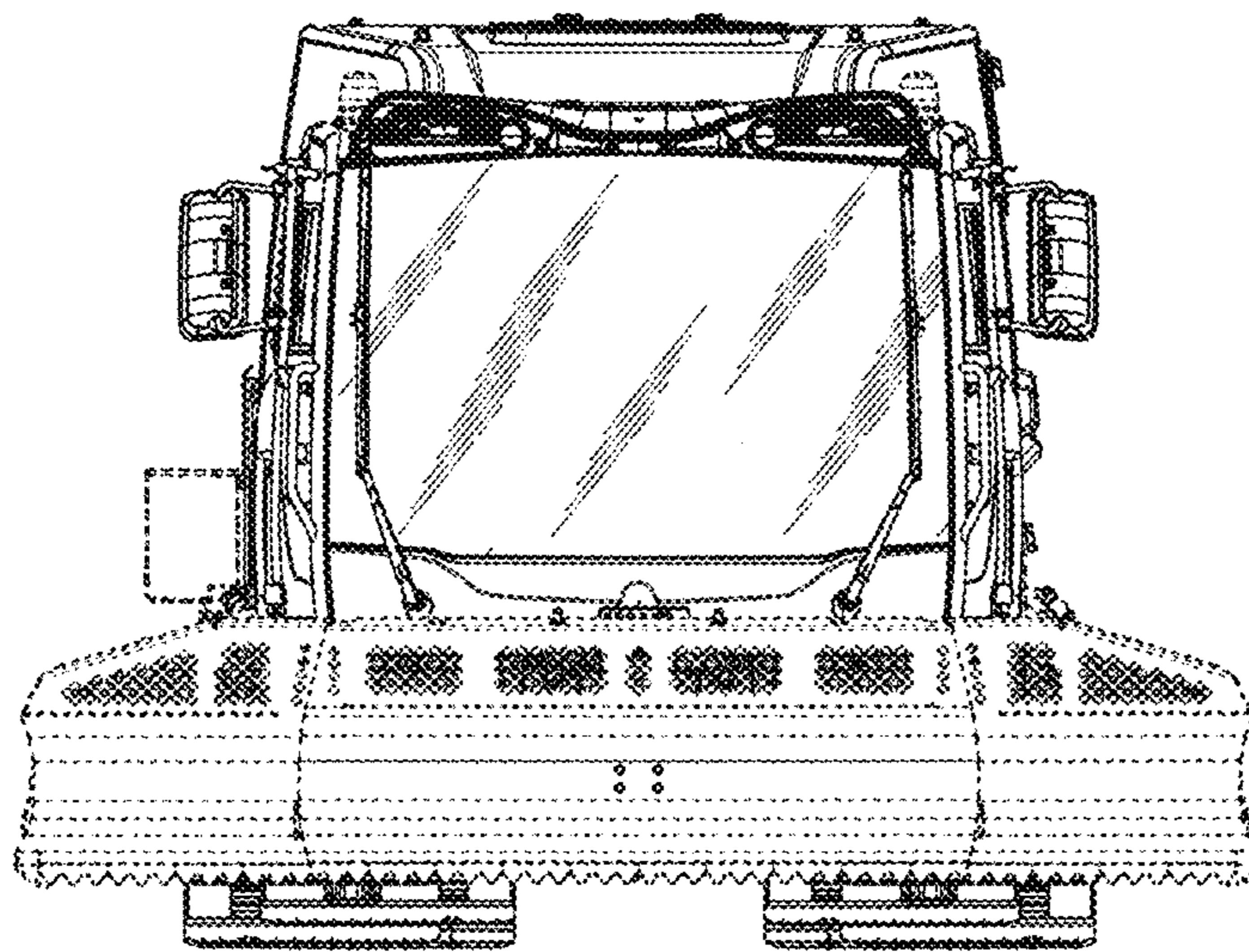


FIG. 3

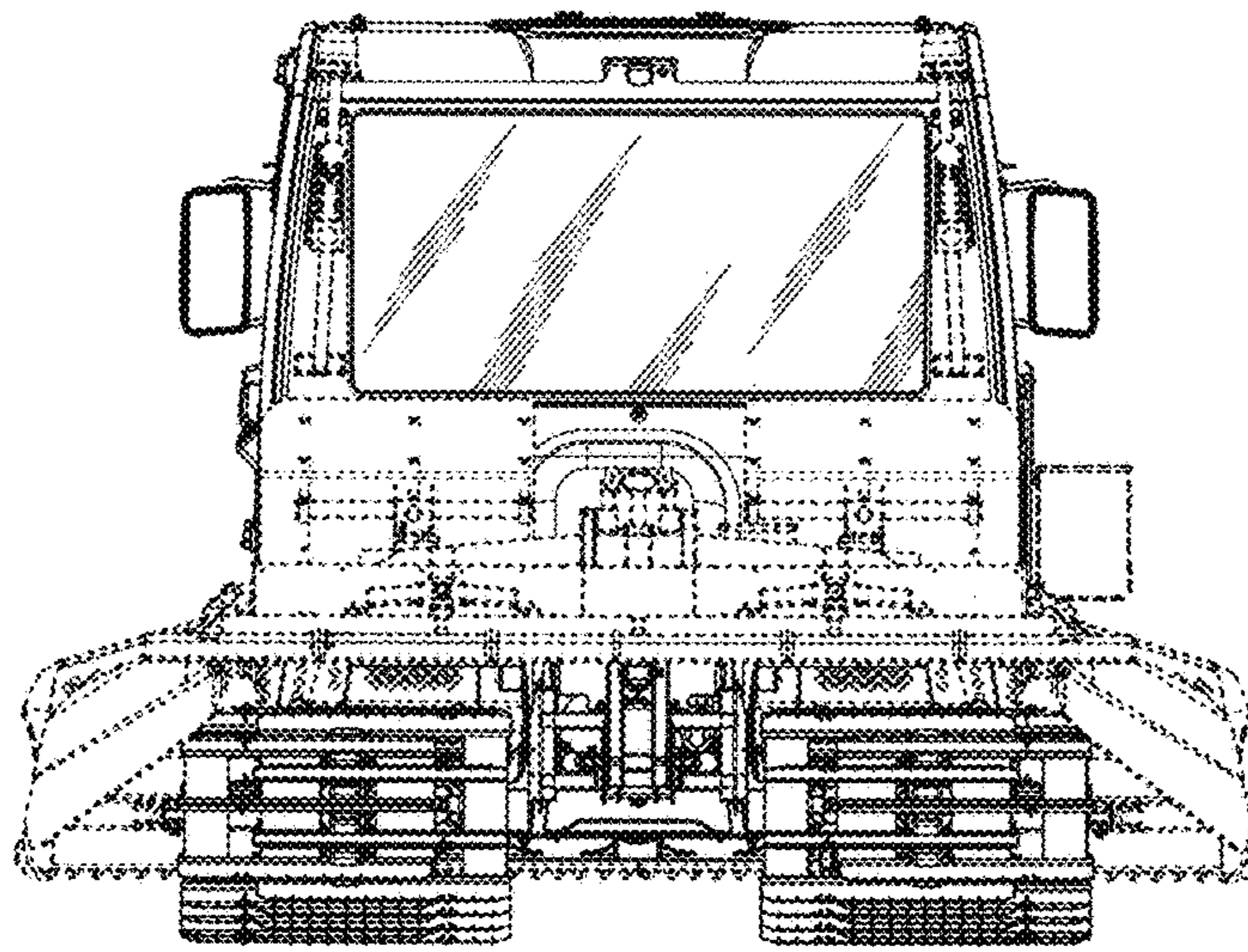


FIG. 4

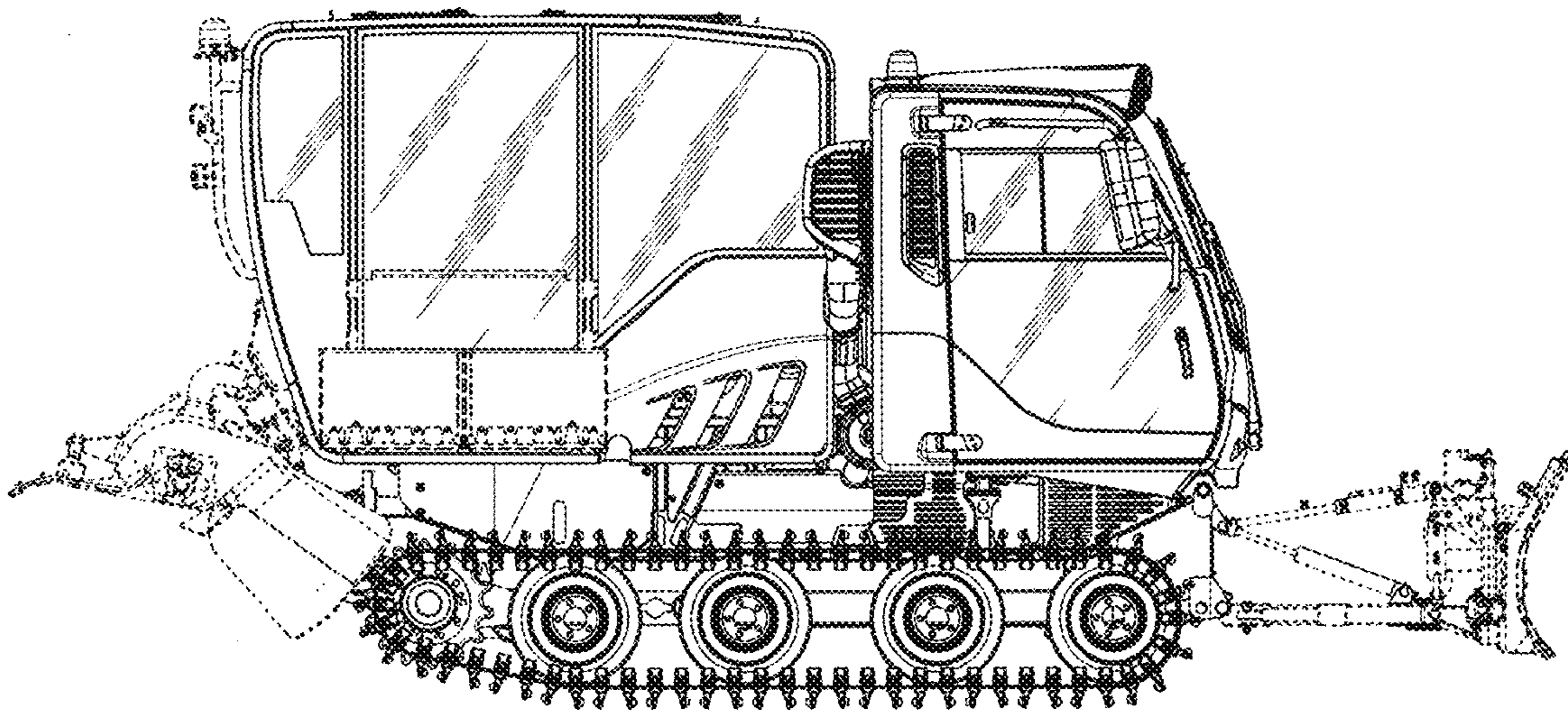


FIG. 5

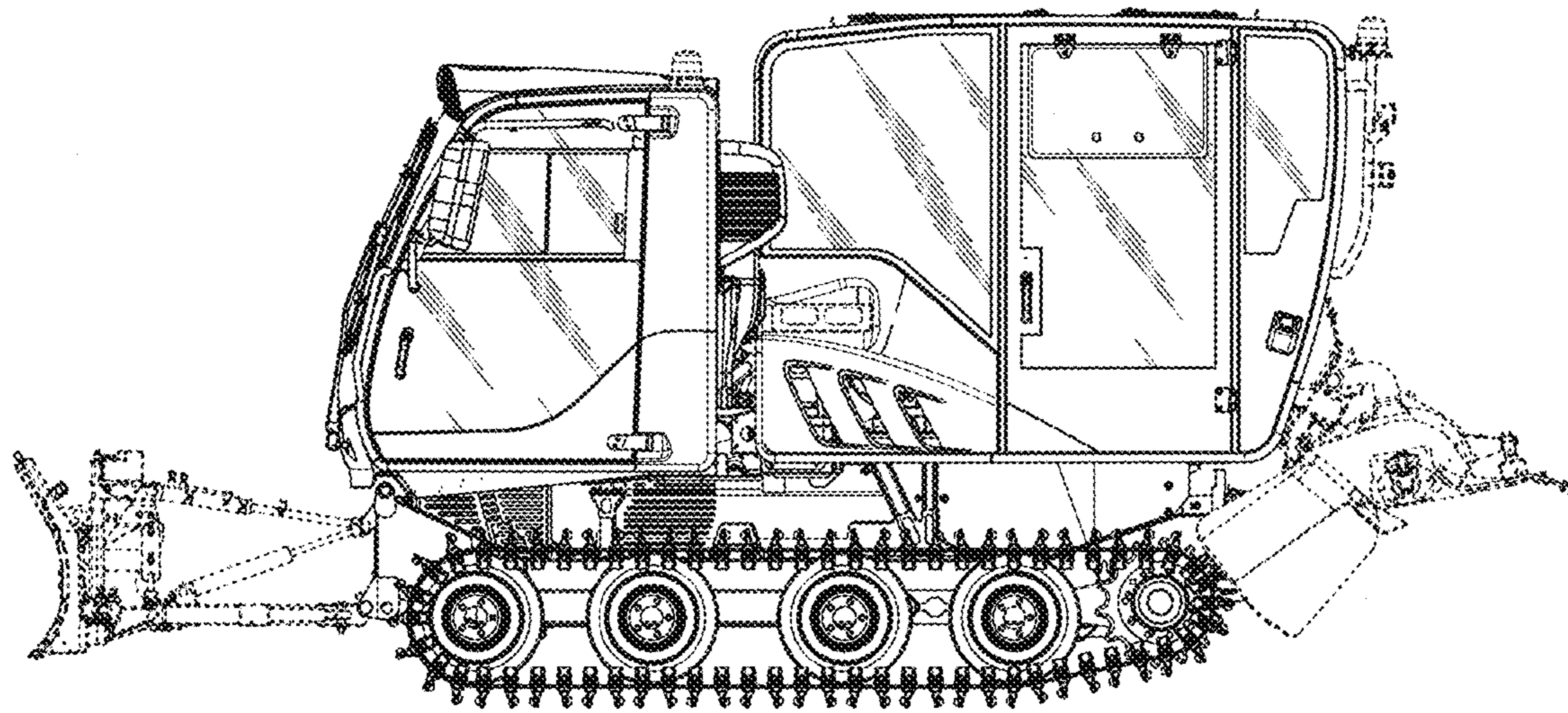


FIG. 6

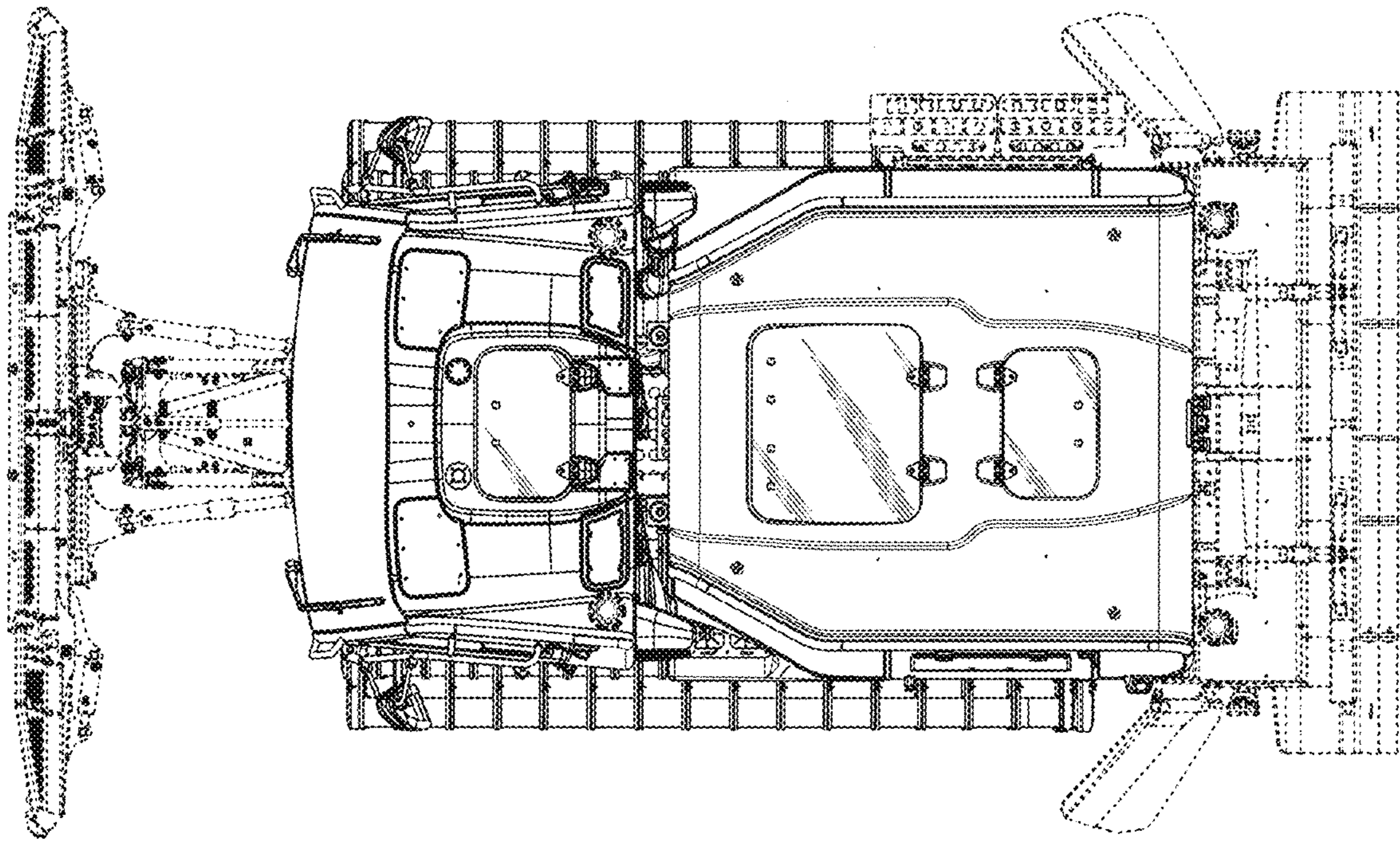


FIG. 7

