



US00D845352S

(12) **United States Design Patent** (10) **Patent No.:** **US D845,352 S**
Lau (45) **Date of Patent:** **** Apr. 9, 2019**

(54) **LAWN MOWER HANDLE**
(71) Applicant: **TTI (MACAO COMMERCIAL OFFSHORE) LIMITED**, Macau (MO)
(72) Inventor: **Hee Wing Lau**, Yuen Long (HK)
(73) Assignee: **TTI (MACAO COMMERCIAL OFFSHORE) LIMITED**, Macau (MO)

(**) Term: **15 Years**
(21) Appl. No.: **29/602,905**
(22) Filed: **May 4, 2017**

(30) **Foreign Application Priority Data**
Nov. 4, 2016 (CN) 2016 3 0536263
(51) **LOC (11) Cl.** **15-03**
(52) **U.S. Cl.**
USPC **D15/18**
(58) **Field of Classification Search**
USPC D15/11, 12, 13, 14, 16, 18, 21, 25, 28, D15/29
CPC A01C 17/008; A01C 15/02; A01G 29/00
See application file for complete search history.

(56) **References Cited**
U.S. PATENT DOCUMENTS
D165,810 S * 1/1952 Wilkin 16/437
D424,578 S * 5/2000 Friberg D15/18
D451,932 S * 12/2001 Dockery D15/28
D584,749 S * 1/2009 Smith D15/28
D586,827 S * 2/2009 Andou D15/28
D629,428 S * 12/2010 Paterson D15/21

D642,595 S * 8/2011 Martin D15/11
D676,876 S * 2/2013 Martin D15/11
9,470,305 B2 * 10/2016 Kaskawitz F16H 59/0278
D777,795 S * 1/2017 Martin D15/11
9,681,604 B2 * 6/2017 Bian A01D 34/824
D805,110 S * 12/2017 Li D15/11
2013/0312566 A1 * 11/2013 Shaffer A01D 34/824
74/490.14

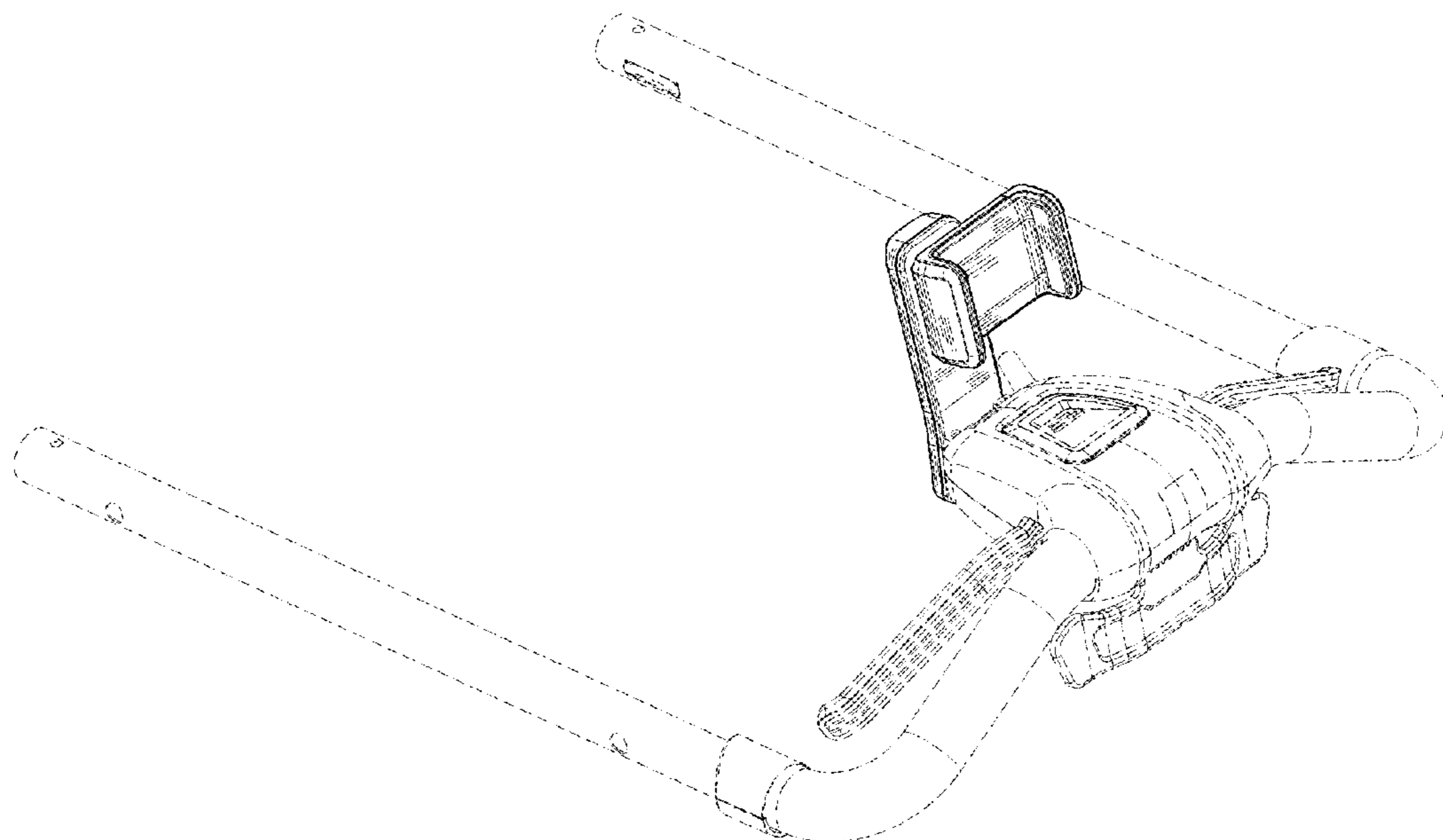
* cited by examiner

Primary Examiner — Mark A Goodwin
Assistant Examiner — Benjamin M Weeks
(74) *Attorney, Agent, or Firm* — Michael Best & Friedrich LLP

(57) **CLAIM**
I claim the ornamental design for a lawn mower handle, as shown and described.

DESCRIPTION
FIG. 1 is a perspective view of a lawn mower handle.
FIG. 2 is a front view of the lawn mower shown handle in FIG. 1.
FIG. 3 is a rear view of the lawn mower handle shown in FIG. 1.
FIG. 4 is a top view of the lawn mower handle shown in FIG. 1.
FIG. 5 is a bottom view of the lawn mower handle shown in FIG. 1.
FIG. 6 is a right side view of the lawn mower handle shown in FIG. 1; and,
FIG. 7 is a left side view of the lawn mower handle shown in FIG. 1.
The broken lines represent portions of the lawn mower handle that form no part of the claimed design.

1 Claim, 7 Drawing Sheets



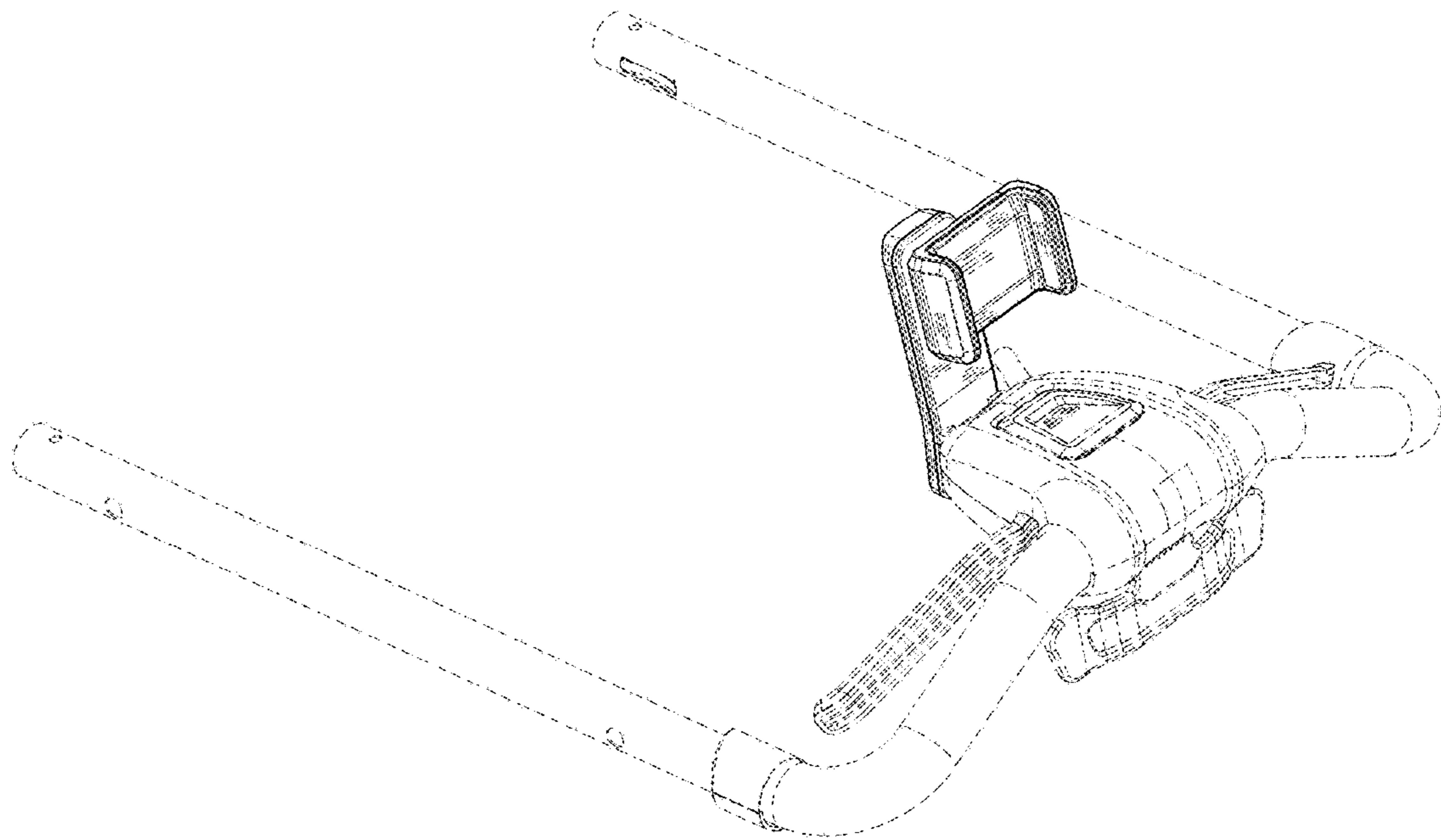


FIG. 1

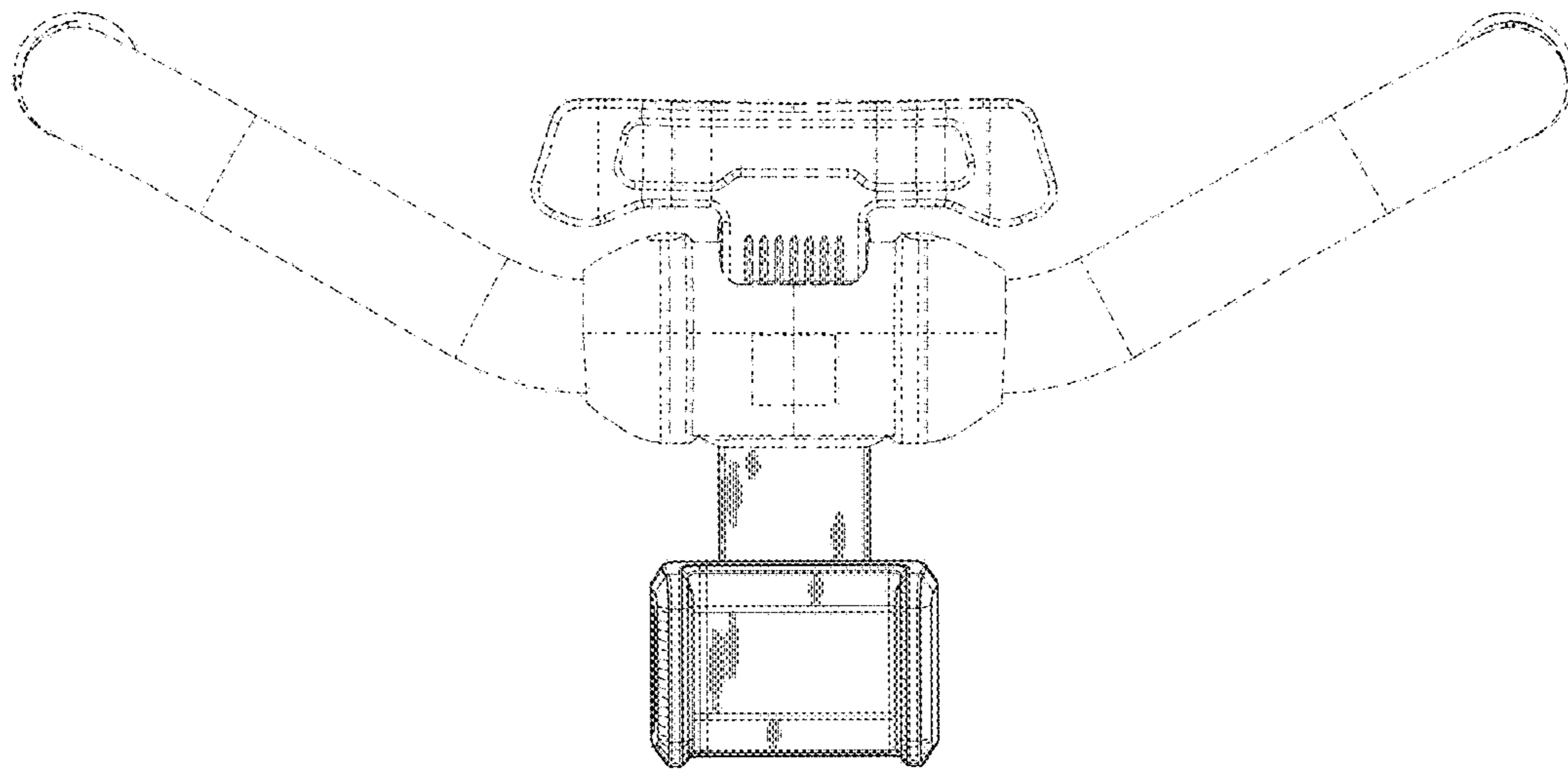


FIG. 2

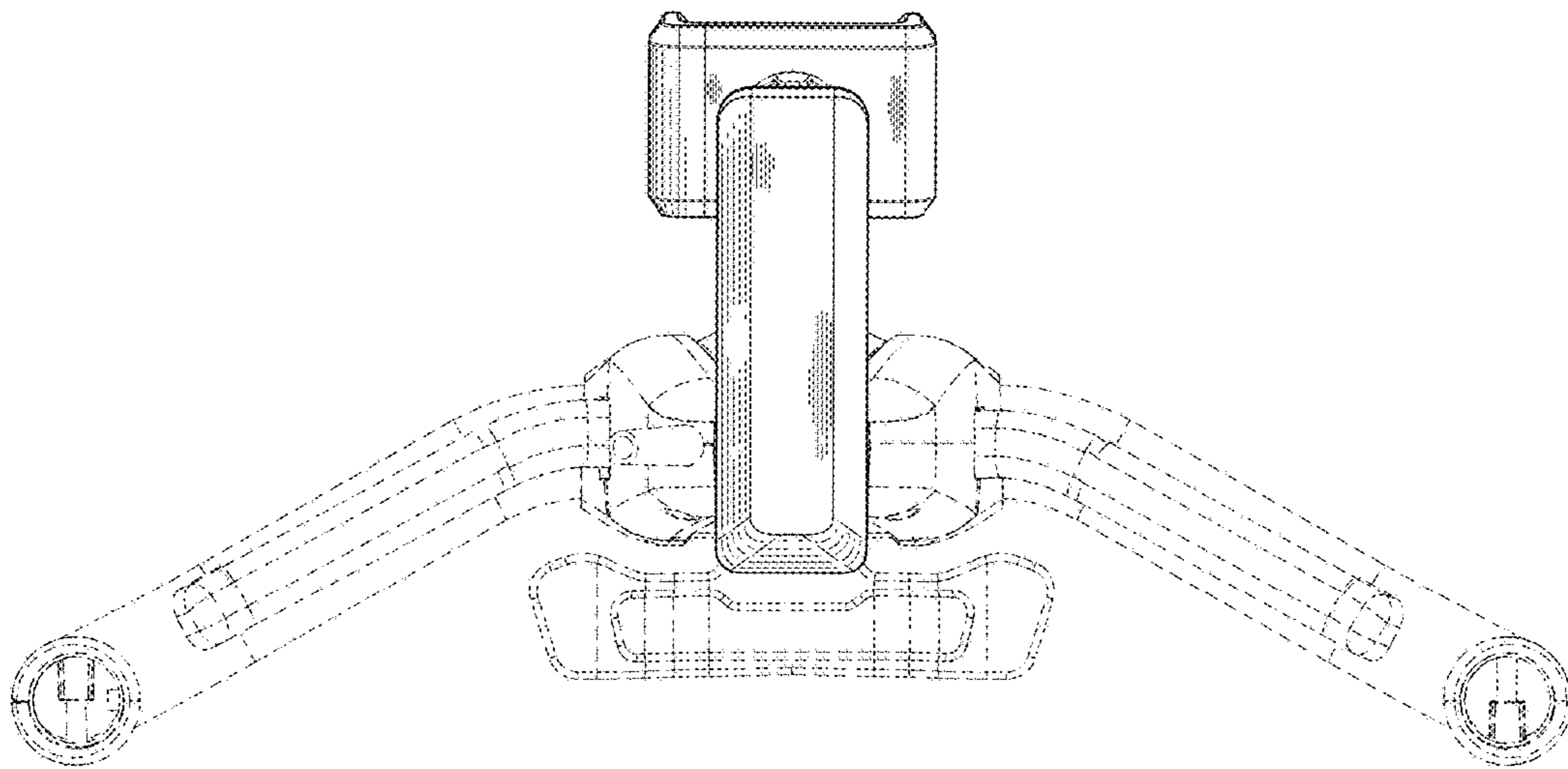


FIG. 3

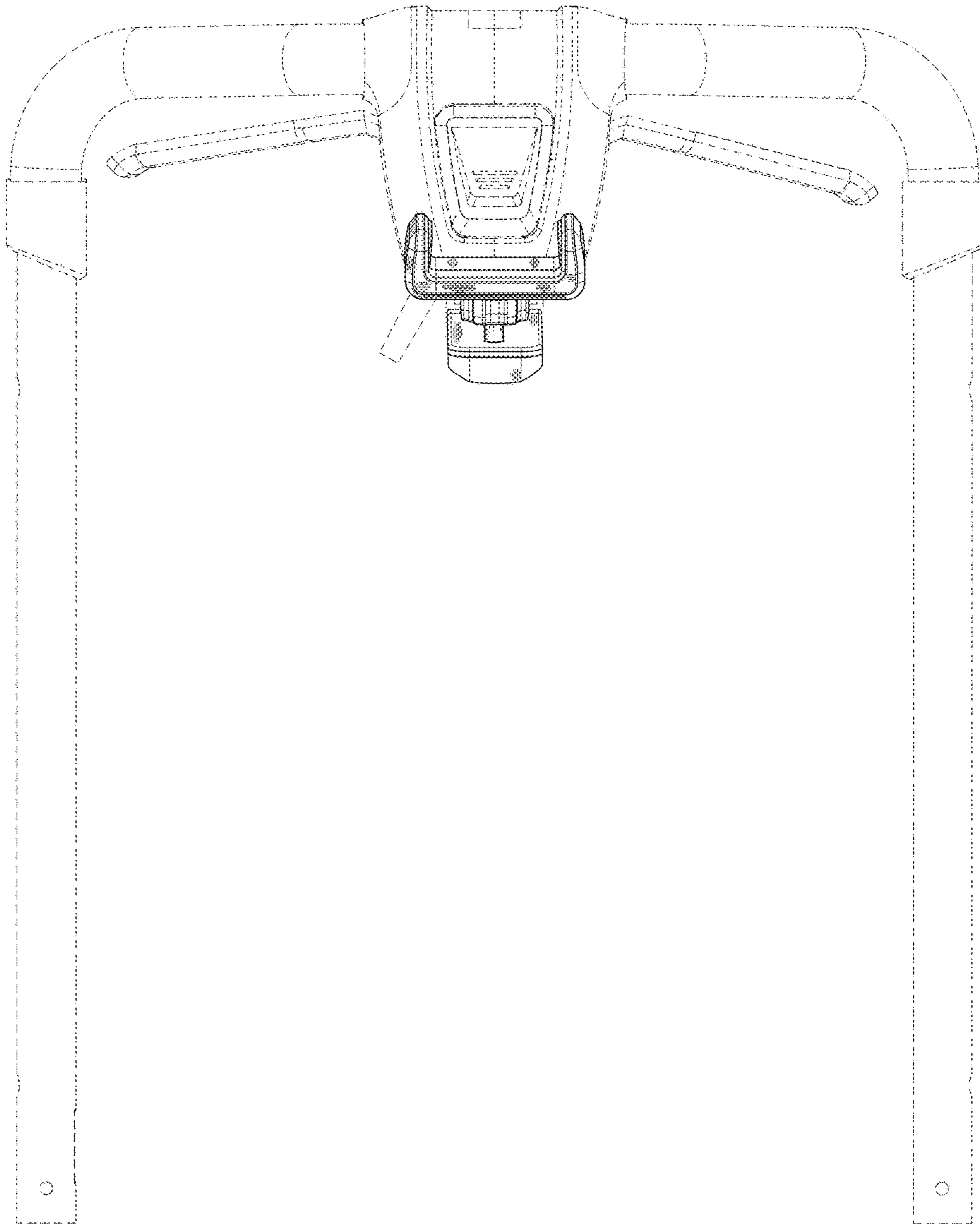


FIG. 4

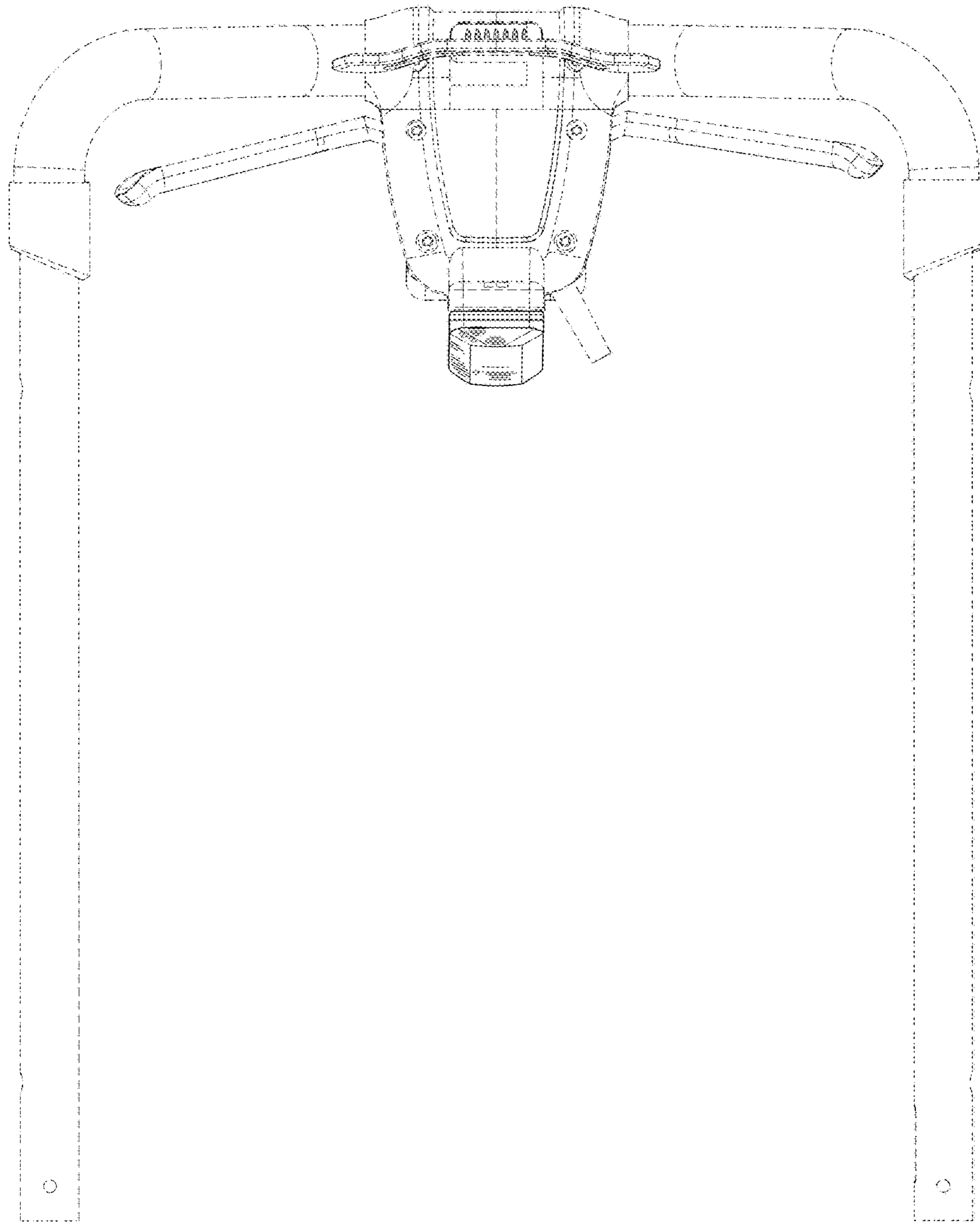


FIG. 5

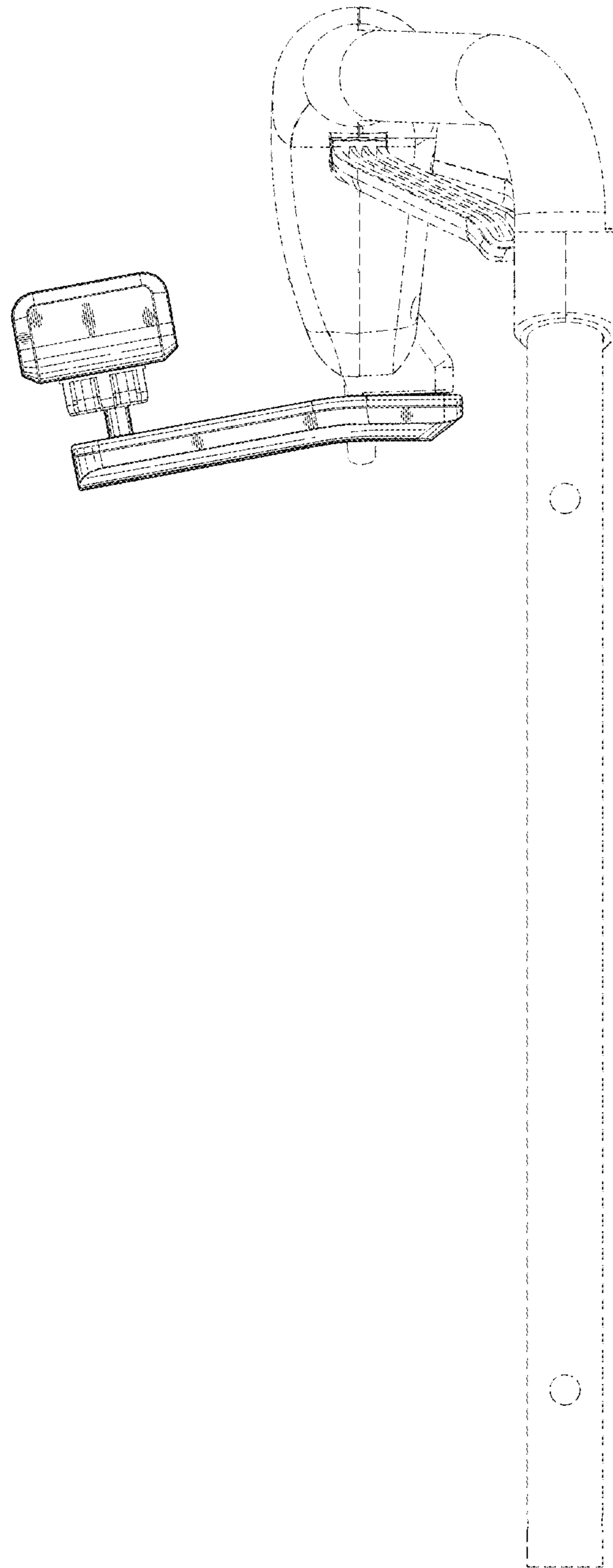


FIG. 6

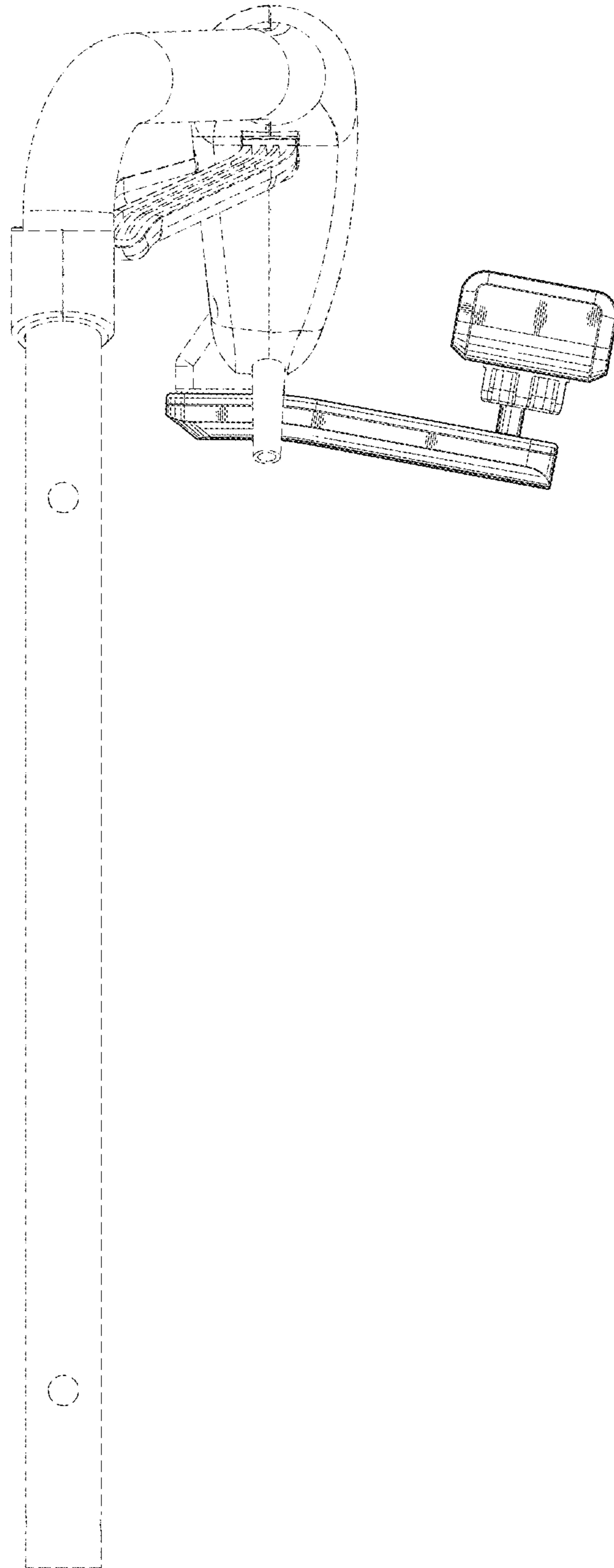


FIG. 7