



US00D845350S

(12) **United States Design Patent** (10) **Patent No.:** **US D845,350 S**
Gillespie et al. (45) **Date of Patent:** **** Apr. 9, 2019**

(54) **ENGINE BRACKET**

(71) Applicant: **Hasport Performance, Inc.**, Phoenix, AZ (US)

(72) Inventors: **Brian Gillespie**, Phoenix, AZ (US);
Keith Gillespie, Tempe, AZ (US)

(73) Assignee: **Hasport Performance, Inc.**, Phoenix, AZ (US)

(**) Term: **15 Years**

(21) Appl. No.: **29/635,873**

(22) Filed: **Feb. 4, 2018**

(51) **LOC (11) Cl.** **15-01**

(52) **U.S. Cl.**
USPC **D15/5**

(58) **Field of Classification Search**
USPC D15/5; D8/349, 350, 353, 354
CPC ... F02F 7/0082; B60K 5/1208; B60K 5/1216;
B60K 5/1275

See application file for complete search history.

(56) **References Cited**

U.S. PATENT DOCUMENTS

4,392,545 A * 7/1983 Harasaki B60K 5/04
180/294
D621,417 S * 8/2010 McGarry D12/126
D621,851 S * 8/2010 McGarry D12/126
8,984,947 B2 * 3/2015 Usui G01H 17/00
73/118.02
D800,785 S * 10/2017 Kallur Parasuraman D15/5
2002/0029920 A1 * 3/2002 Fournier B60K 5/12
180/300

2004/0020702 A1 * 2/2004 Oshima B60K 5/1208
180/291
2006/0260860 A1 * 11/2006 Byers A63H 17/262
180/291
2008/0054538 A1 * 3/2008 Igami B60K 5/1216
267/140.11
2009/0188739 A1 * 7/2009 Boughton B60K 5/1216
180/232
2010/0059912 A1 * 3/2010 Takakura B60K 5/1208
267/140.12
2016/0185203 A1 * 6/2016 Ohshita B60K 5/1208
180/299
2017/0182877 A1 * 6/2017 Gillespie B60K 5/1283
2018/0222305 A1 * 8/2018 Kropp F16F 1/3849

* cited by examiner

Primary Examiner — T Chase Nelson

Assistant Examiner — Ania Aman

(74) *Attorney, Agent, or Firm* — Steven N. Fox, Esq.

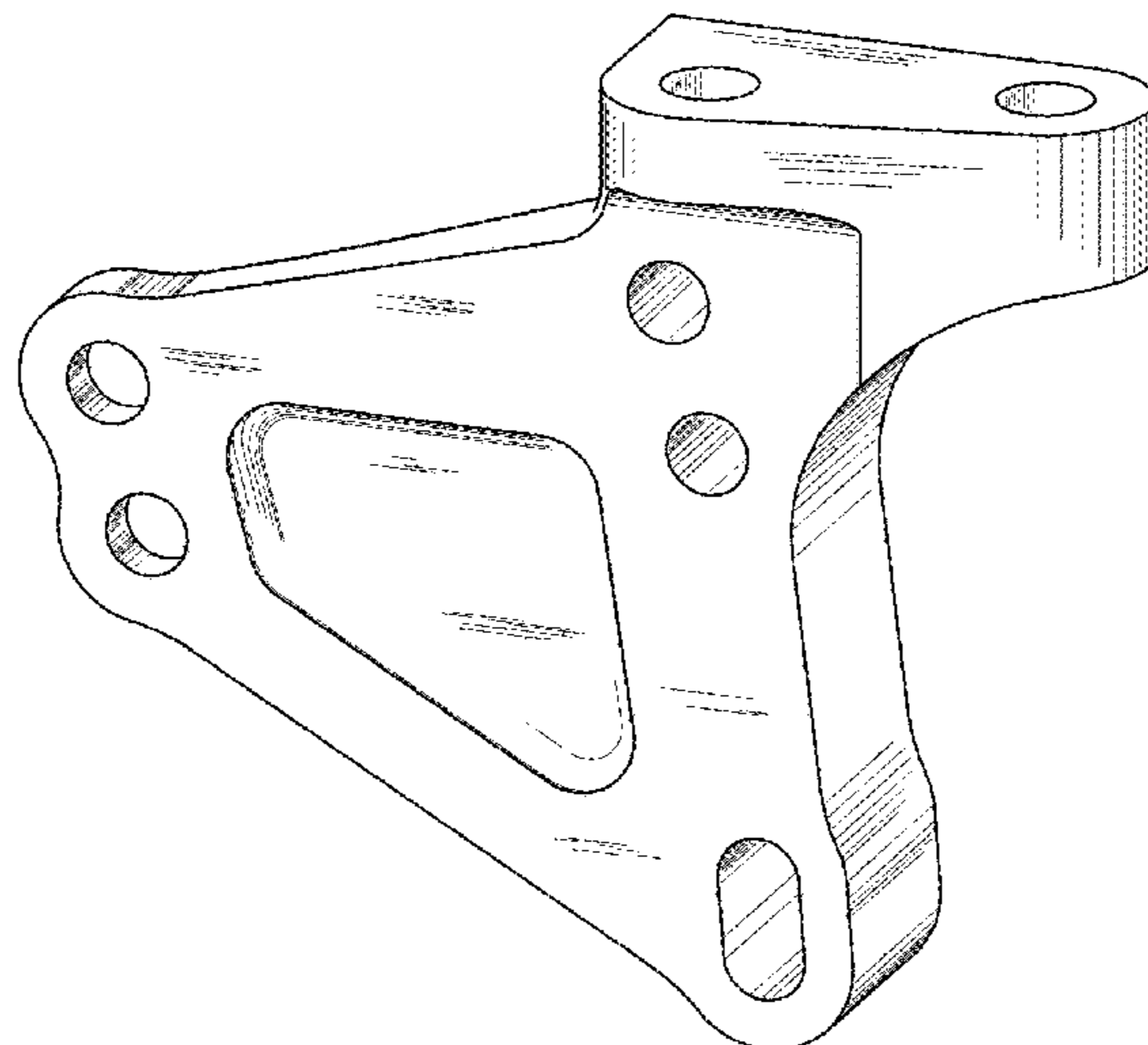
(57) **CLAIM**

The ornamental design for an engine bracket, as shown and described.

DESCRIPTION

FIG. 1 is a front perspective view of an engine bracket according to the present invention;
 FIG. 2 is a rear perspective view of the engine bracket according to the present invention;
 FIG. 3 is a front view thereof;
 FIG. 4 is a rear view thereof;
 FIG. 5 is a top view thereof;
 FIG. 6 is a bottom view thereof;
 FIG. 7 is a left side view thereof; and,
 FIG. 8 is a right view thereof.

1 Claim, 8 Drawing Sheets



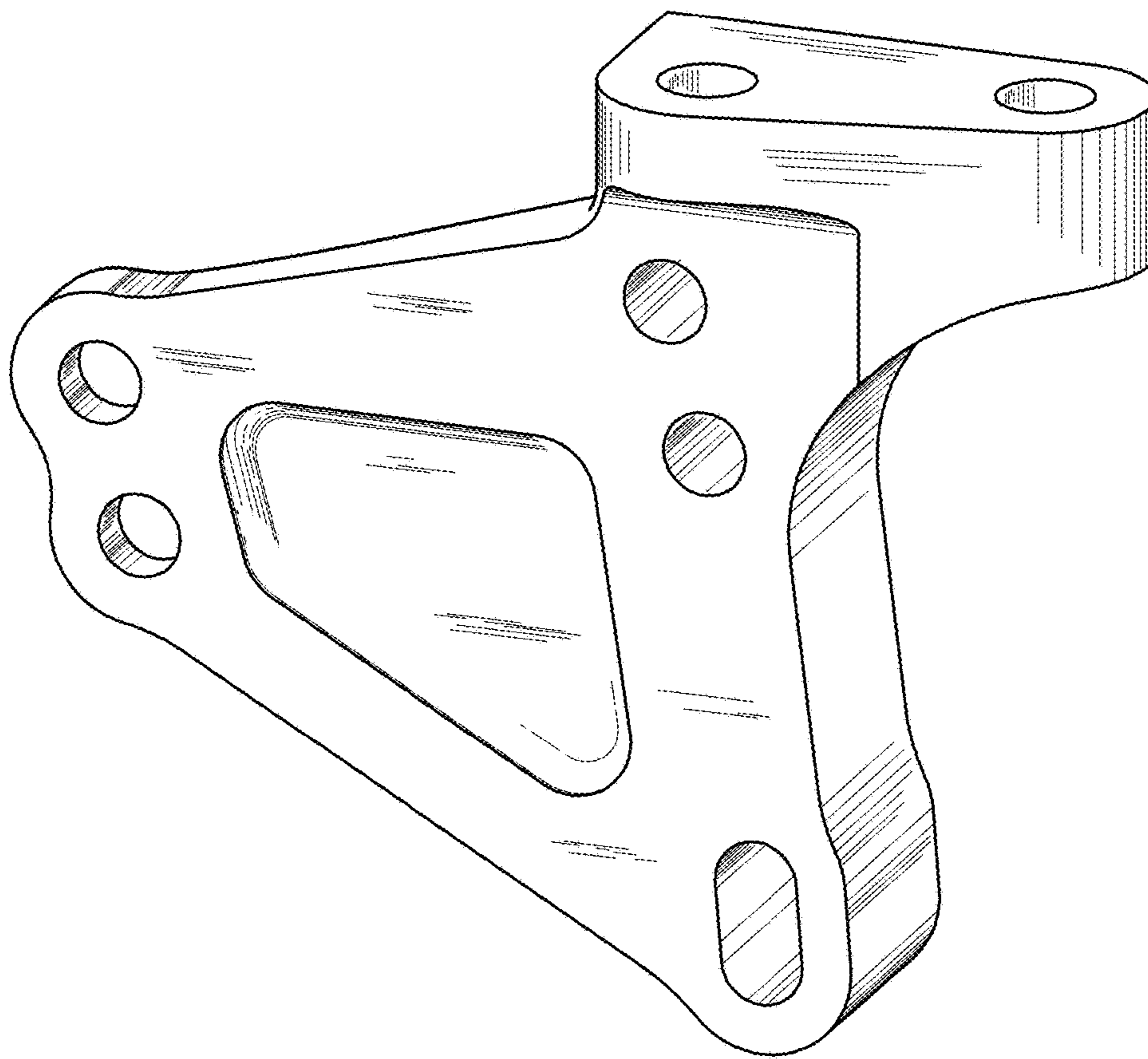


FIG. 1

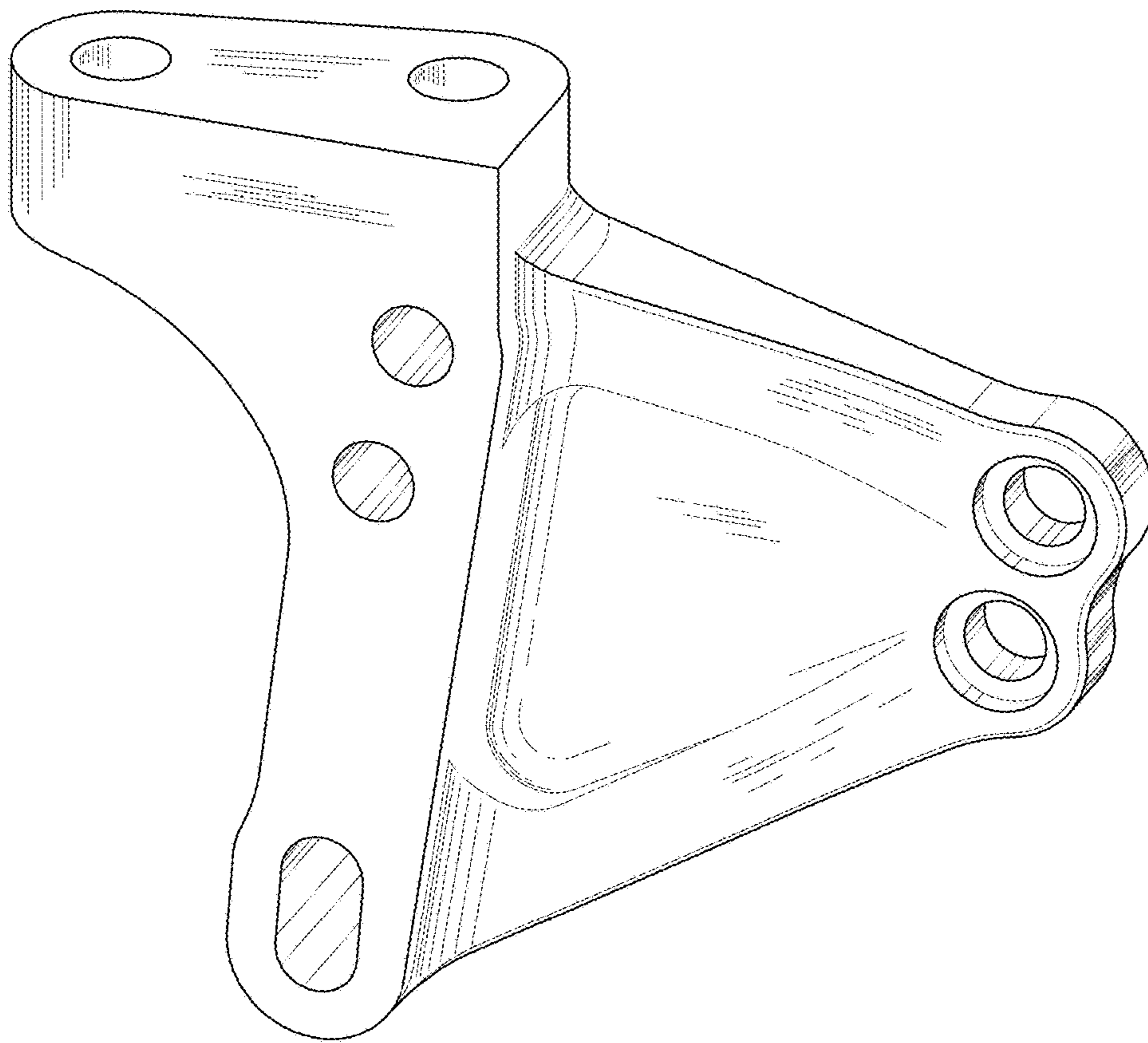


FIG. 2

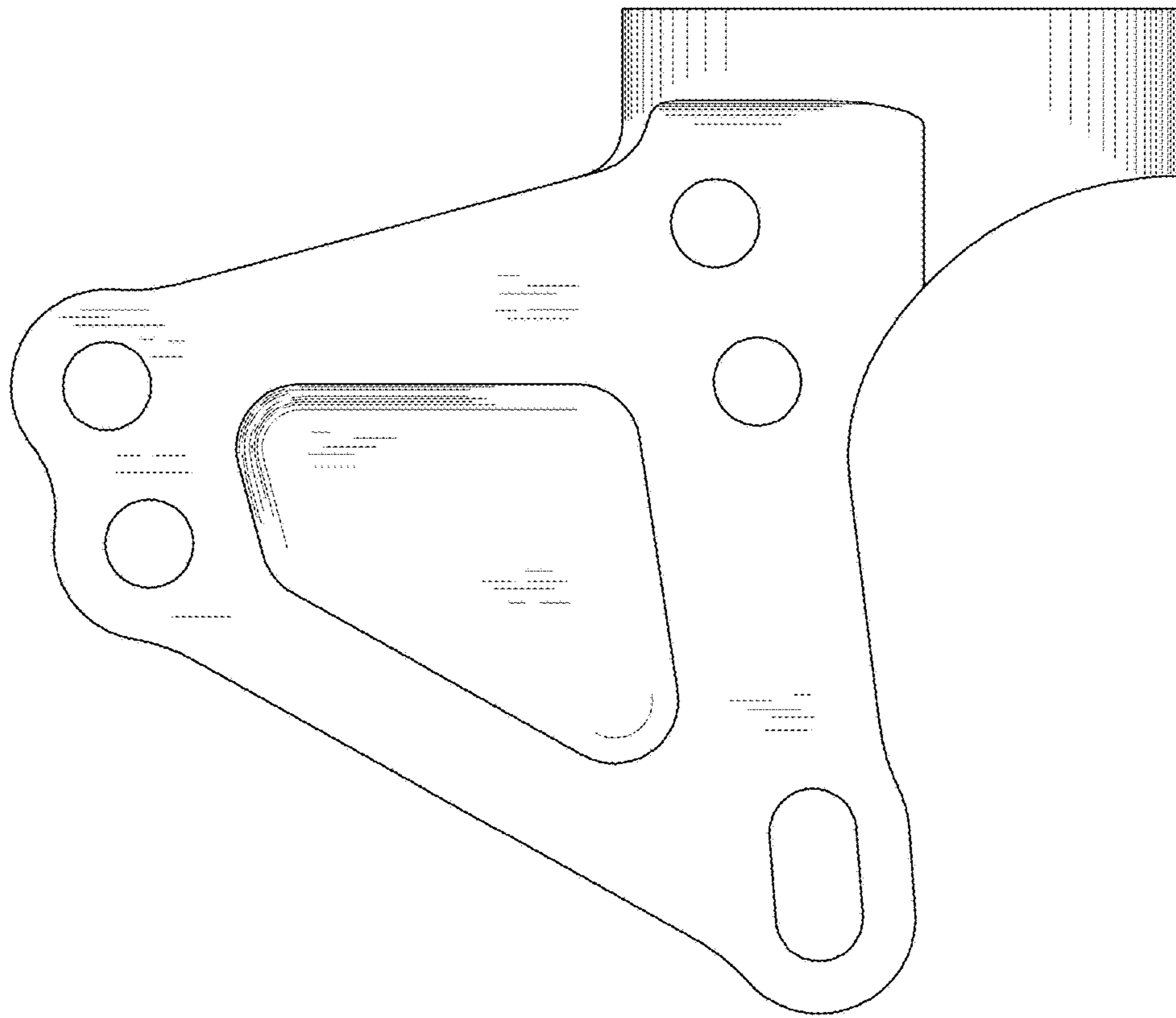


FIG. 3

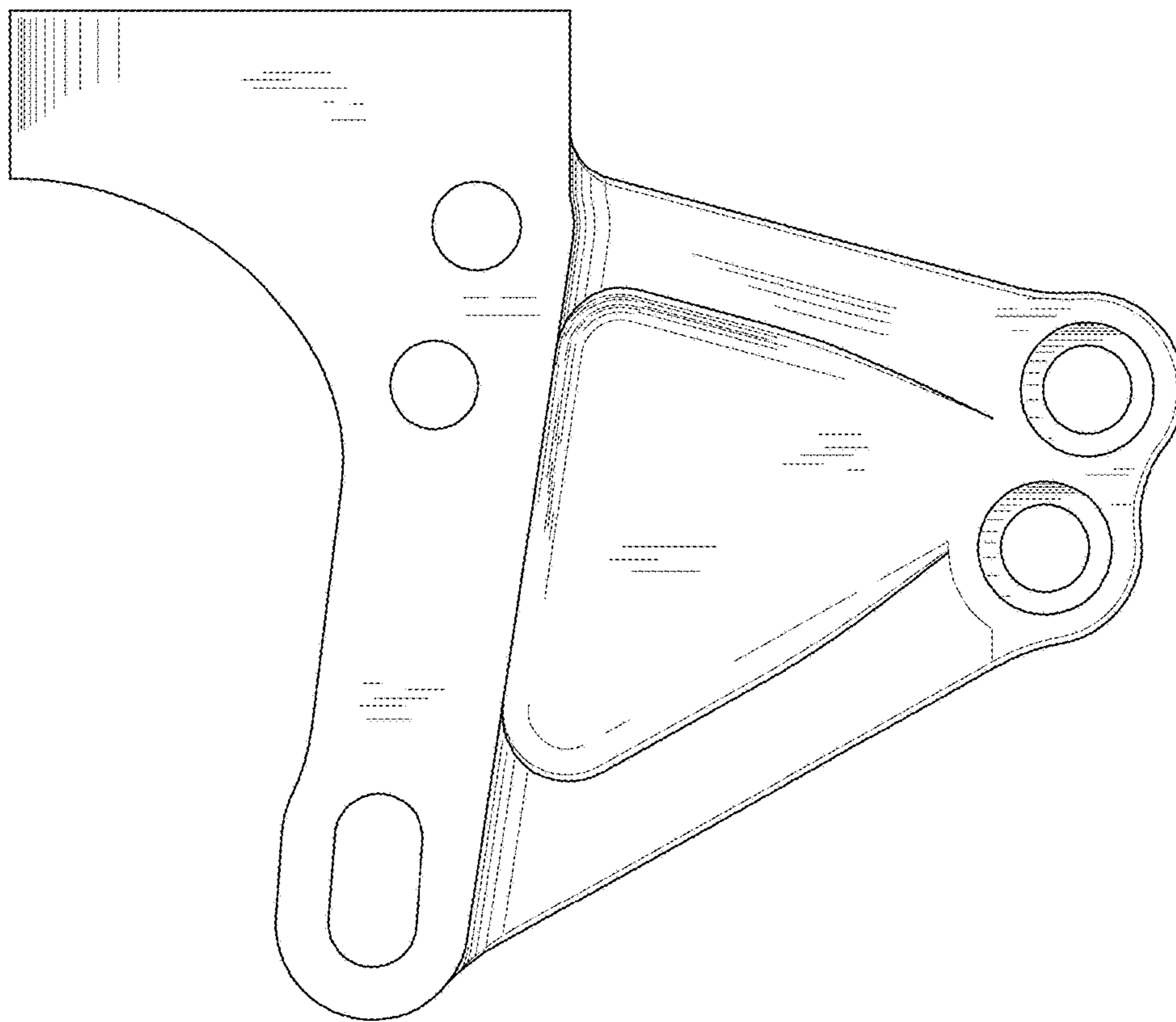


FIG. 4

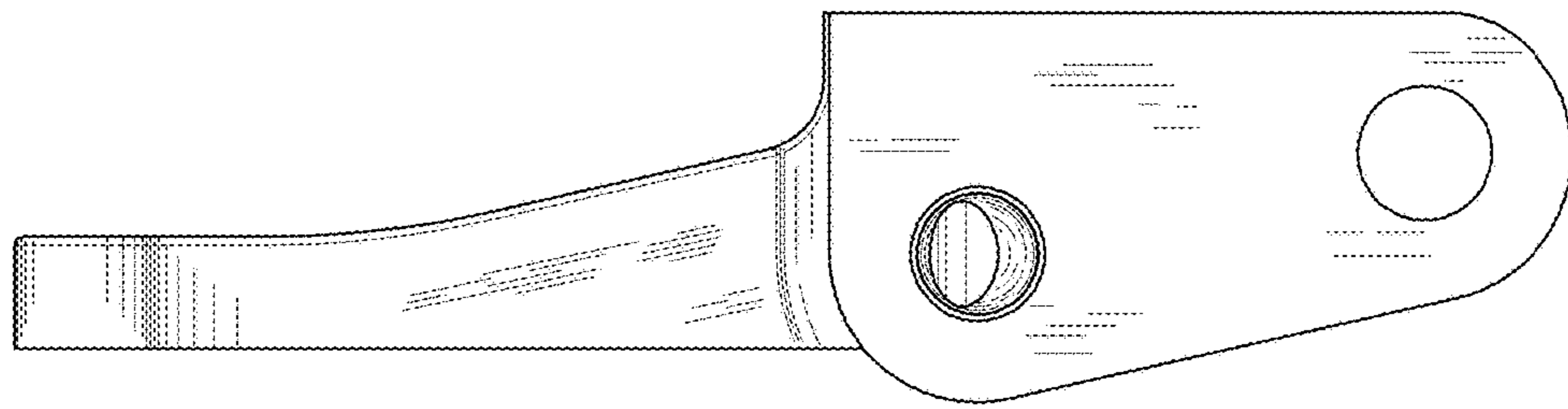


FIG. 5

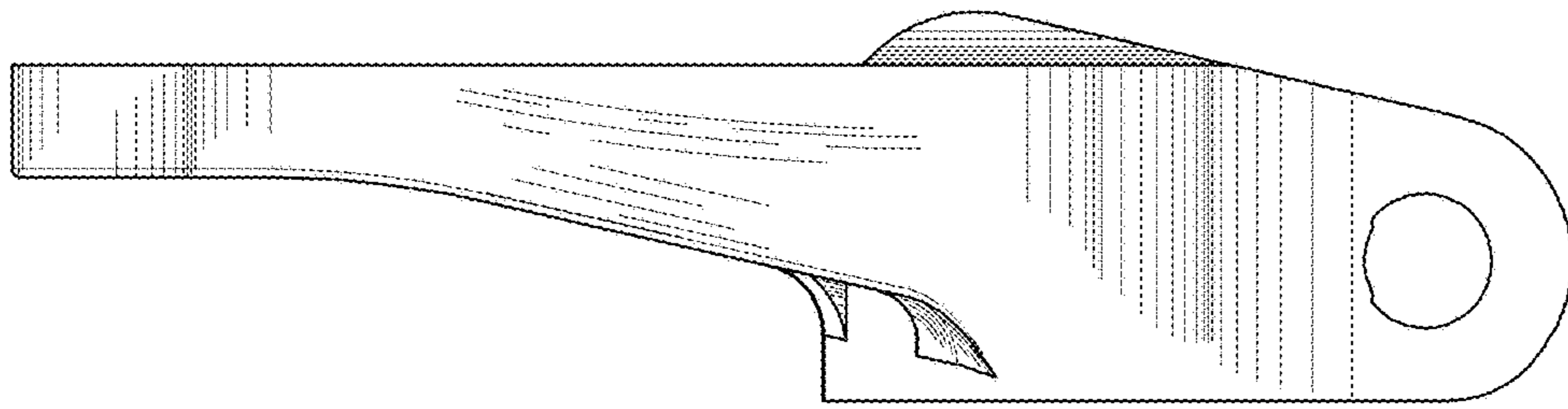


FIG. 6

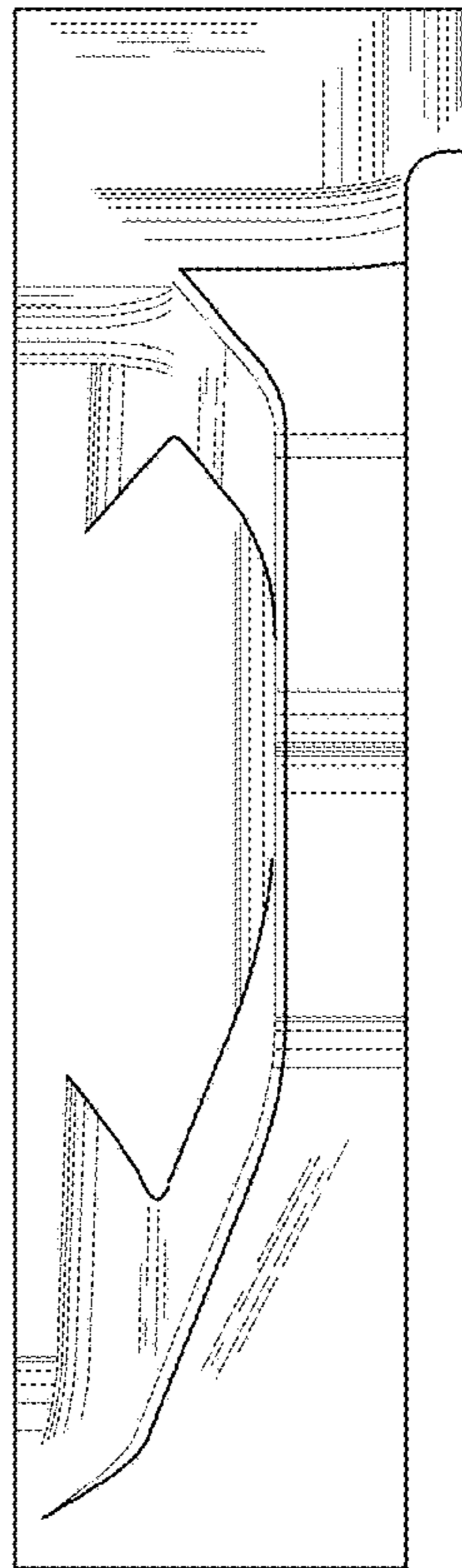


FIG. 7

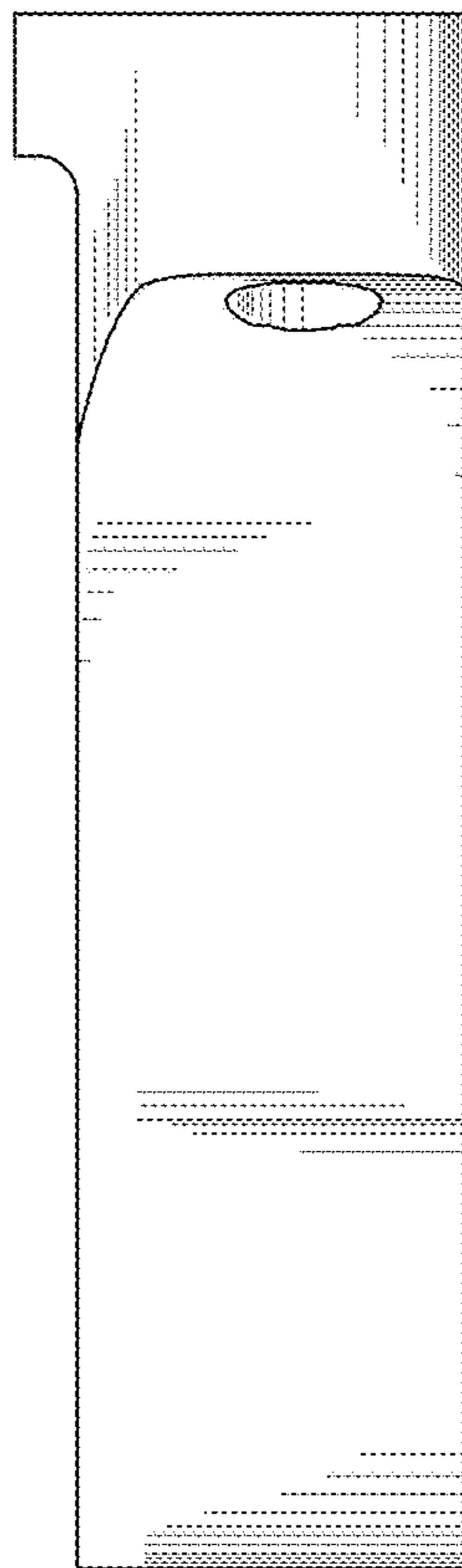


FIG. 8