



US00D845349S

(12) **United States Design Patent** (10) **Patent No.:** **US D845,349 S**
Tsutsui et al. (45) **Date of Patent:** **** Apr. 9, 2019**

(54) **TRIM AND TILT DEVICE FOR MARINE VESSEL PROPELLING MACHINE**

FOREIGN PATENT DOCUMENTS

(71) Applicant: **SHOWA CORPORATION**, Saitama (JP)

CA 2864492 A1 * 9/2015 F04B 5/02
CA 2868889 A1 * 9/2015 B63H 5/00
(Continued)

(72) Inventors: **Hayato Tsutsui**, Shizuoka (JP); **Shinya Horie**, Shizuoka (JP)

OTHER PUBLICATIONS

(73) Assignee: **SHOWA CORPORATION**, Saitama (JP)

Outboard Power Tilt and Trim, posted on showa1.com, no psoted date given, no production date given, [online], [site visited Aug. 3, 2018], Available from Internet, URL: https://www.showa1.com/en/product/boat/power_tilt_trim.html (Year: 2018).*

(**) Term: **15 Years**

Primary Examiner — Garth Rademaker
Assistant Examiner — Fritzgerald L Butac

(21) Appl. No.: **29/623,658**

(74) *Attorney, Agent, or Firm* — Rankin, Hill & Clark LLP

(22) Filed: **Oct. 26, 2017**

(57) **CLAIM**

(30) **Foreign Application Priority Data**

The ornamental design for a trim and tilt device for a marine vessel propelling machine, as shown and described.

Apr. 28, 2017 (JP) 2017-0009530

DESCRIPTION

(51) **LOC (11) Cl.** **15-01**

(52) **U.S. Cl.**
USPC **D15/4; D12/317**

(58) **Field of Classification Search**
USPC D8/349, 354, 356, 363, 373, 380;
D12/168, 214, 223, 300, 305, 317;
D15/3-5, 148, 149, 199
CPC B63H 20/10; F15B 11/024; F15B 15/204;
F15B 2211/27; F15B 2211/31529
See application file for complete search history.

FIG. 1 is a front, right side, top perspective view of a trim and tilt device for a marine vessel propelling machine showing my new design;
FIG. 2 is a front, left side, top perspective view thereof;
FIG. 3 is a rear, left side, top perspective view thereof;
FIG. 4 is a rear, left side, bottom perspective view thereof;
FIG. 5 is a front, left side, bottom perspective view thereof;
FIG. 6 is a front elevational view thereof;
FIG. 7 is a rear elevational view thereof;
FIG. 8 is a left side view thereof;
FIG. 9 is a right side view thereof;
FIG. 10 is a top plan view thereof; and,
FIG. 11 is a bottom plan view thereof.

(56) **References Cited**

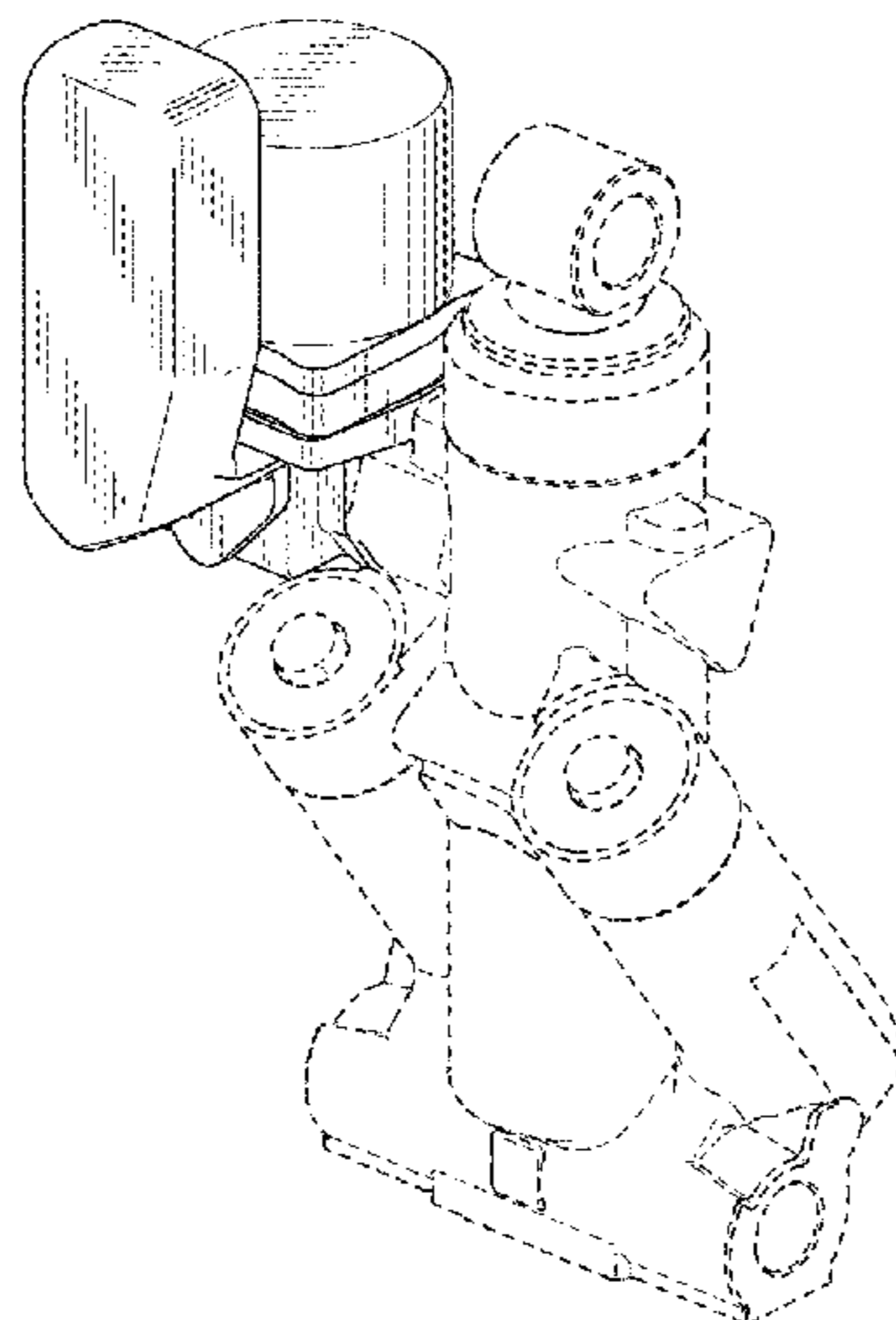
U.S. PATENT DOCUMENTS

5,984,741 A * 11/1999 Nakamura B63H 20/10
440/56
6,015,318 A * 1/2000 Uematsu B63H 20/10
440/53

The broken lines show portions of a trim and tilt device for a marine vessel propelling machine that form no part of the claimed design.

(Continued)

1 Claim, 6 Drawing Sheets



(56)

References Cited

U.S. PATENT DOCUMENTS

6,039,617 A * 3/2000 Nakamura B63H 20/10
440/53
6,071,157 A * 6/2000 Yoshino B63H 20/10
440/61 D
6,123,590 A * 9/2000 Nakamura B63H 20/10
440/56
9,376,192 B2 6/2016 Saito et al.
9,849,956 B2 * 12/2017 Tsutsui B63H 20/10
9,885,355 B2 * 2/2018 Saito F04C 11/003
9,932,084 B2 * 4/2018 Awasa B60G 15/06
9,932,997 B2 * 4/2018 Tsutsui B63H 20/08
9,950,583 B2 * 4/2018 Kaneko F16F 9/3235
2003/0157847 A1 * 8/2003 Washizu B63H 20/10
440/61 A
2003/0157848 A1 * 8/2003 Saito B63H 20/10
440/61 T

FOREIGN PATENT DOCUMENTS

JP 02099493 A * 4/1990 B63H 21/265
JP 08198183 A * 8/1996
JP 11139394 A * 5/1999 B63H 20/10

* cited by examiner

FIG. 1

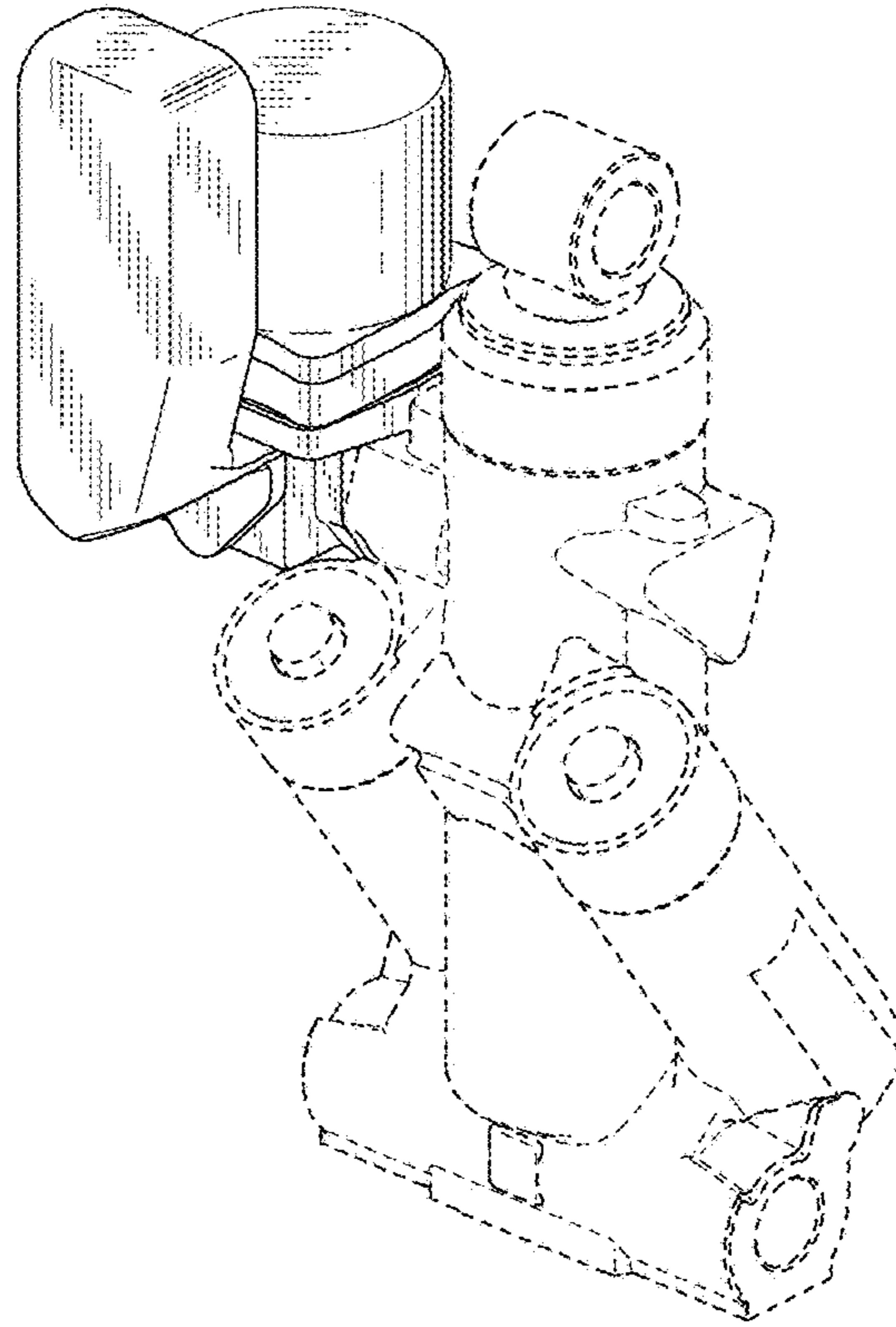


FIG. 2

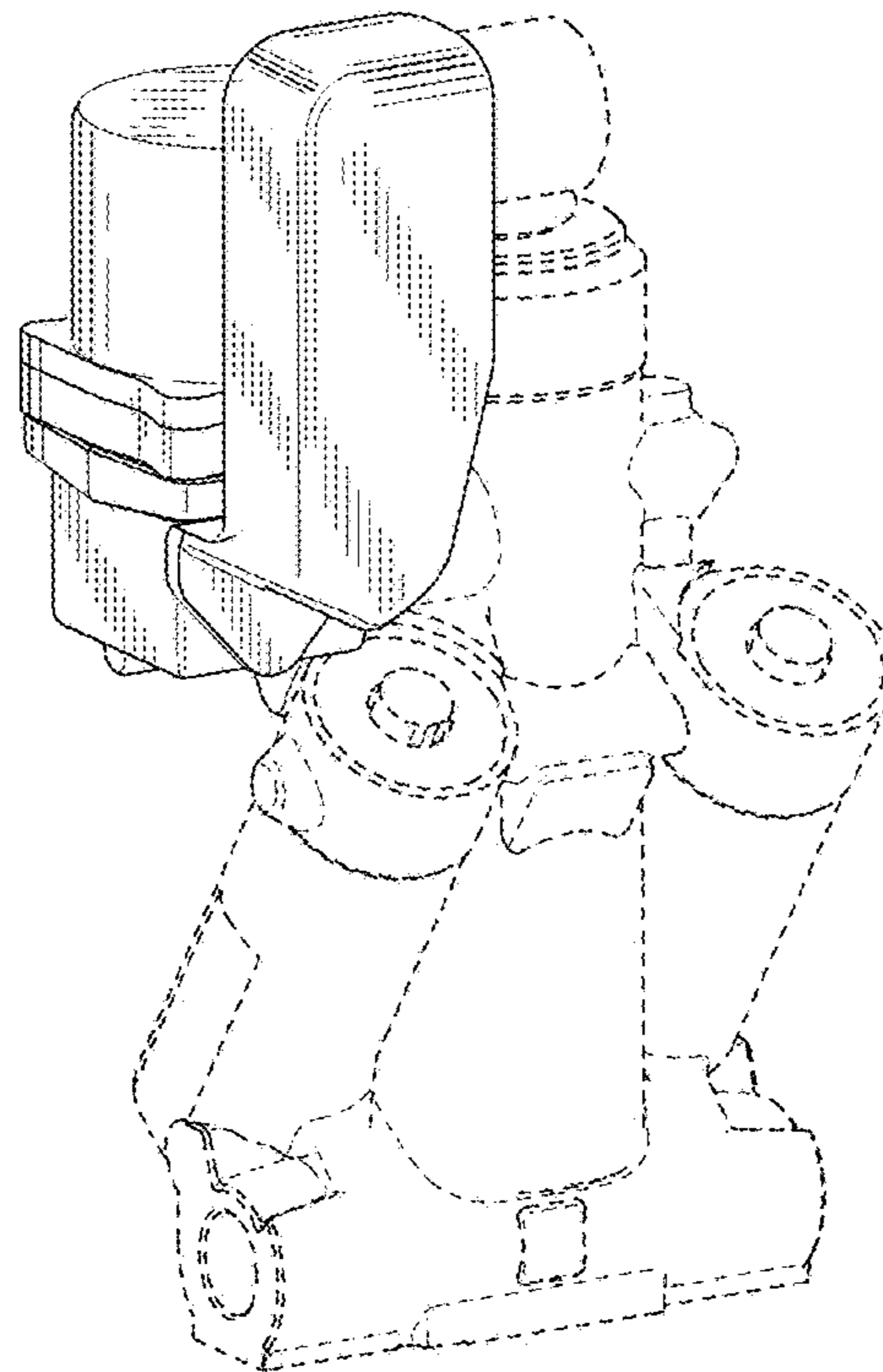


FIG. 3

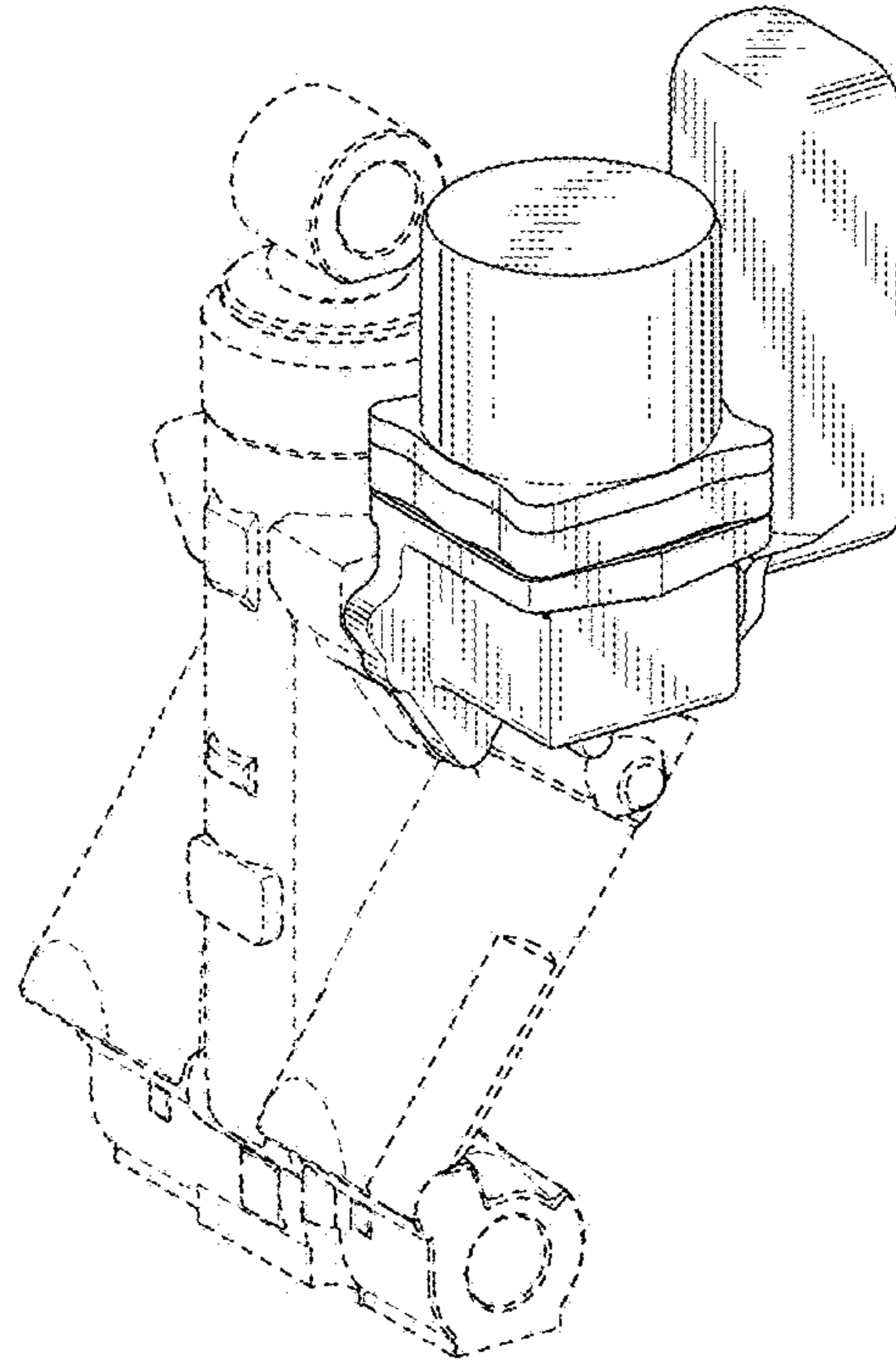


FIG. 4

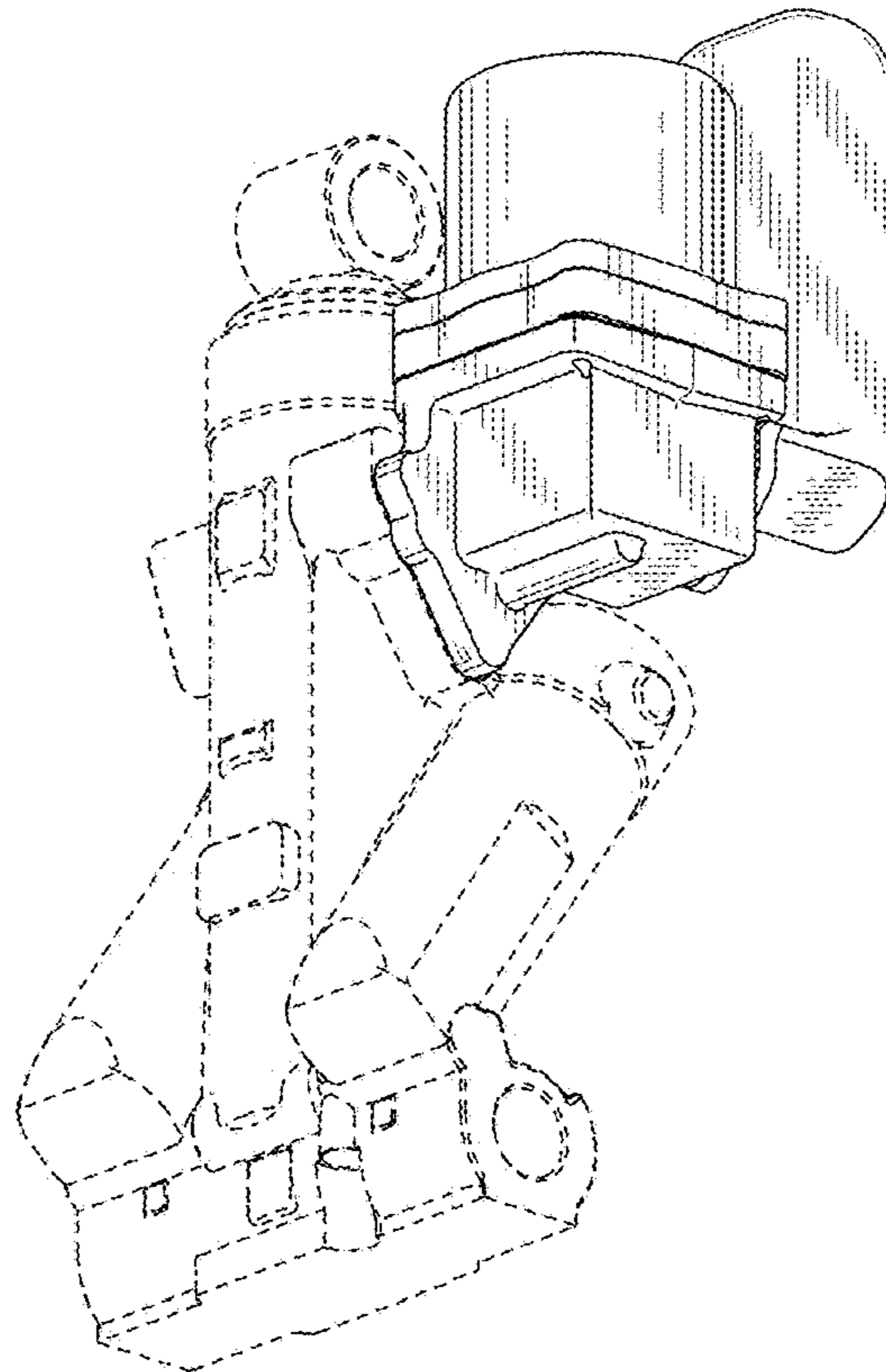


FIG. 5

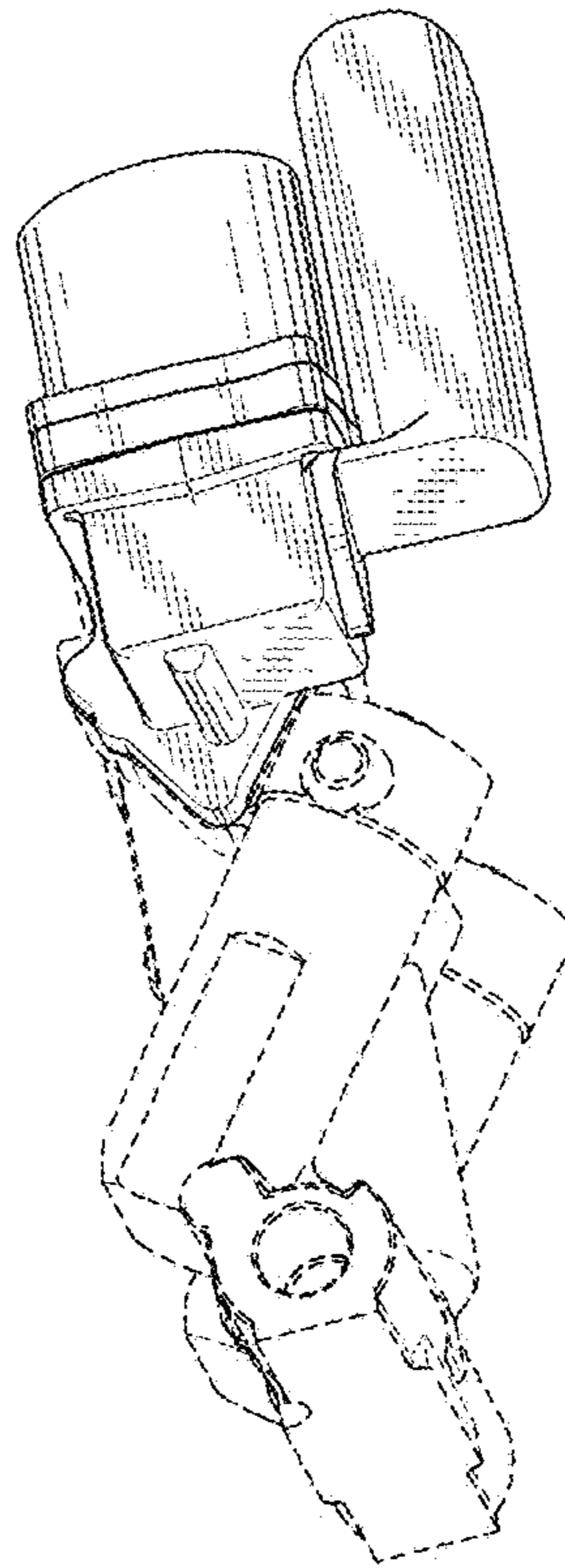


FIG. 6

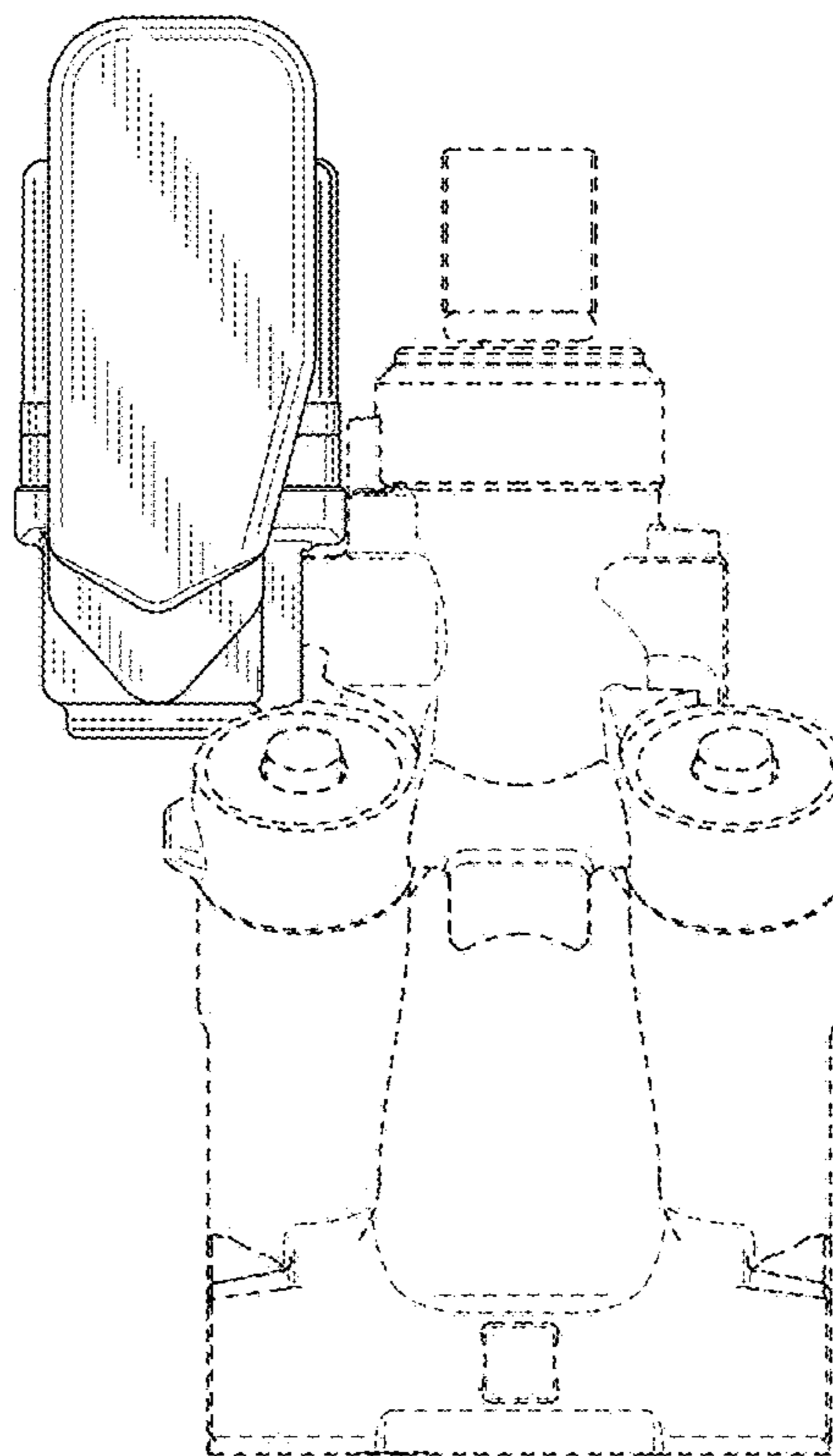


FIG. 7

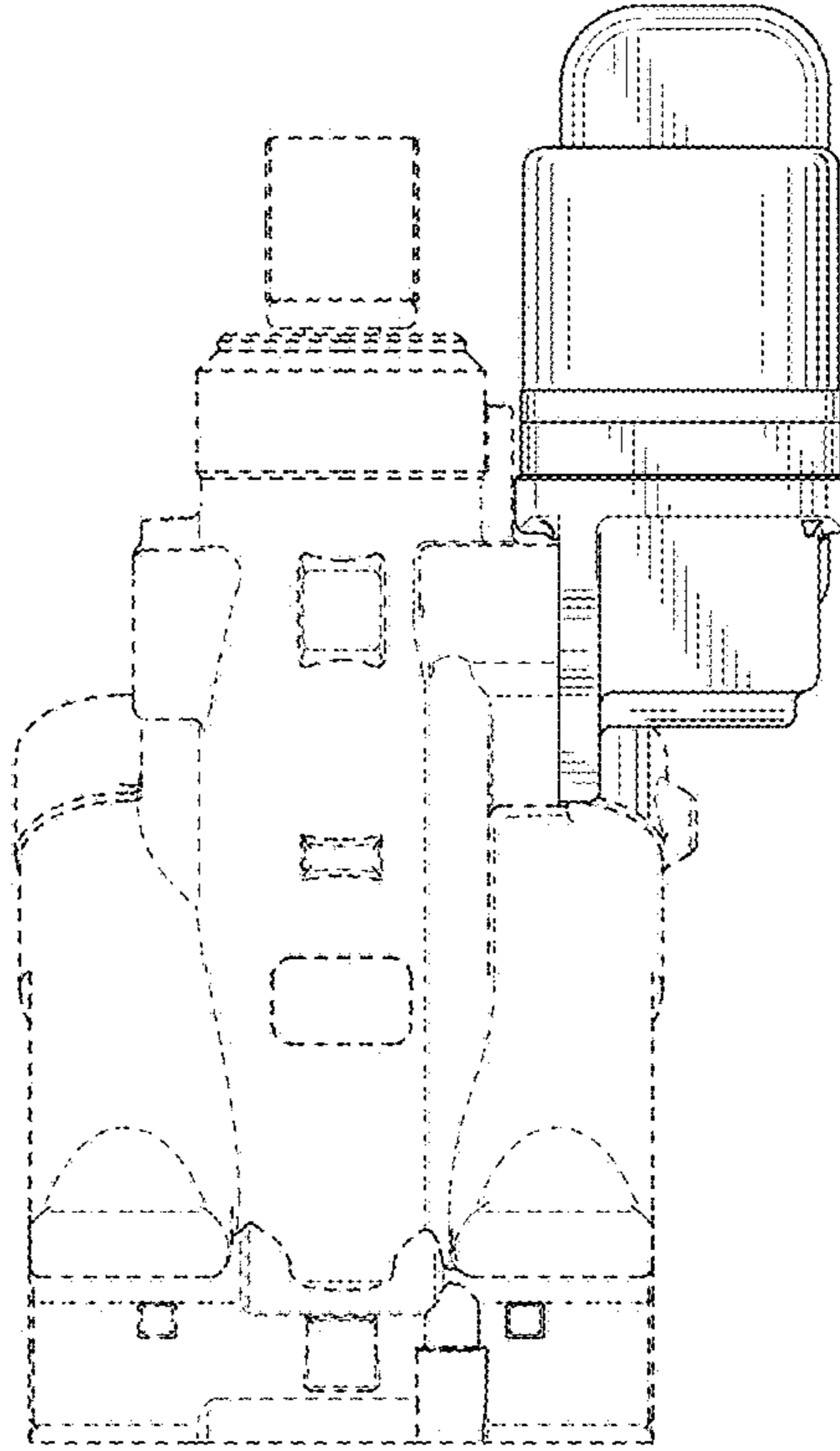


FIG. 8

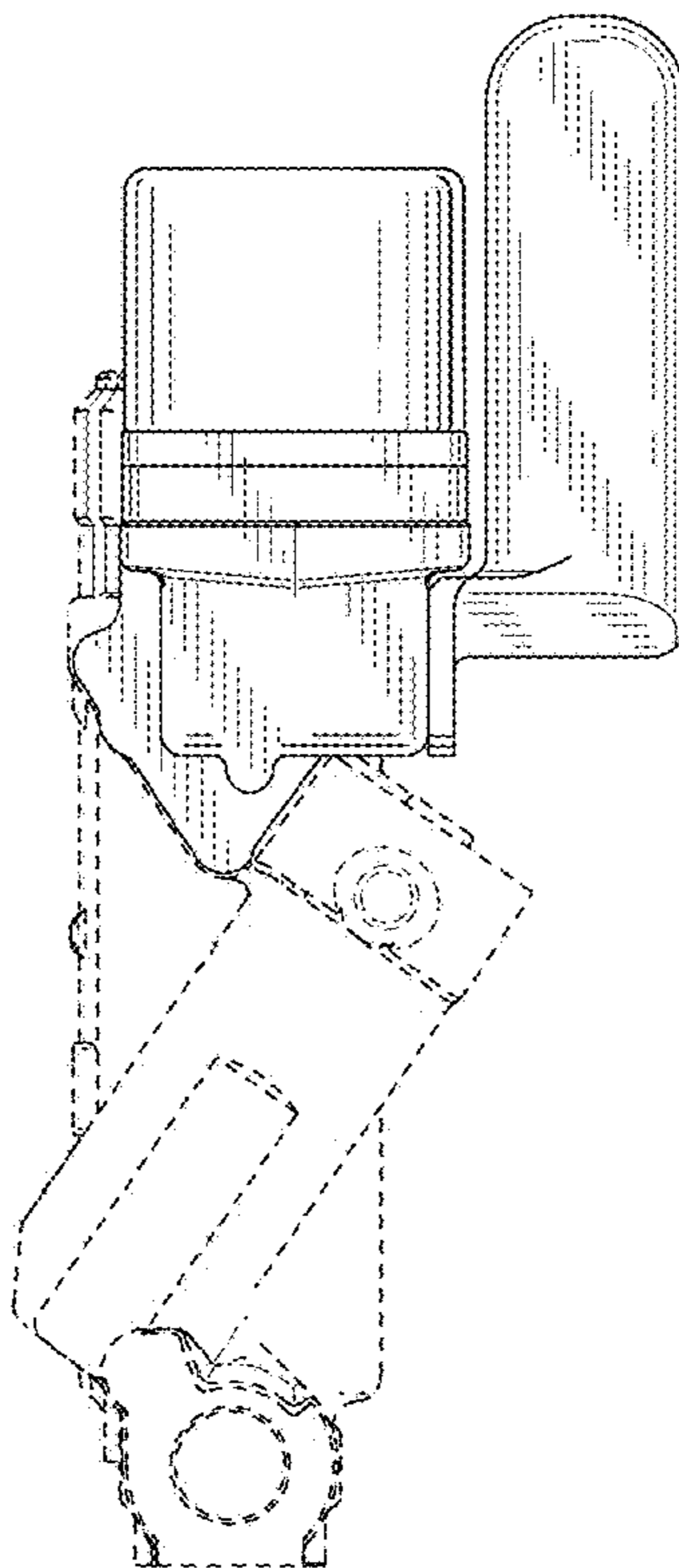


FIG. 9

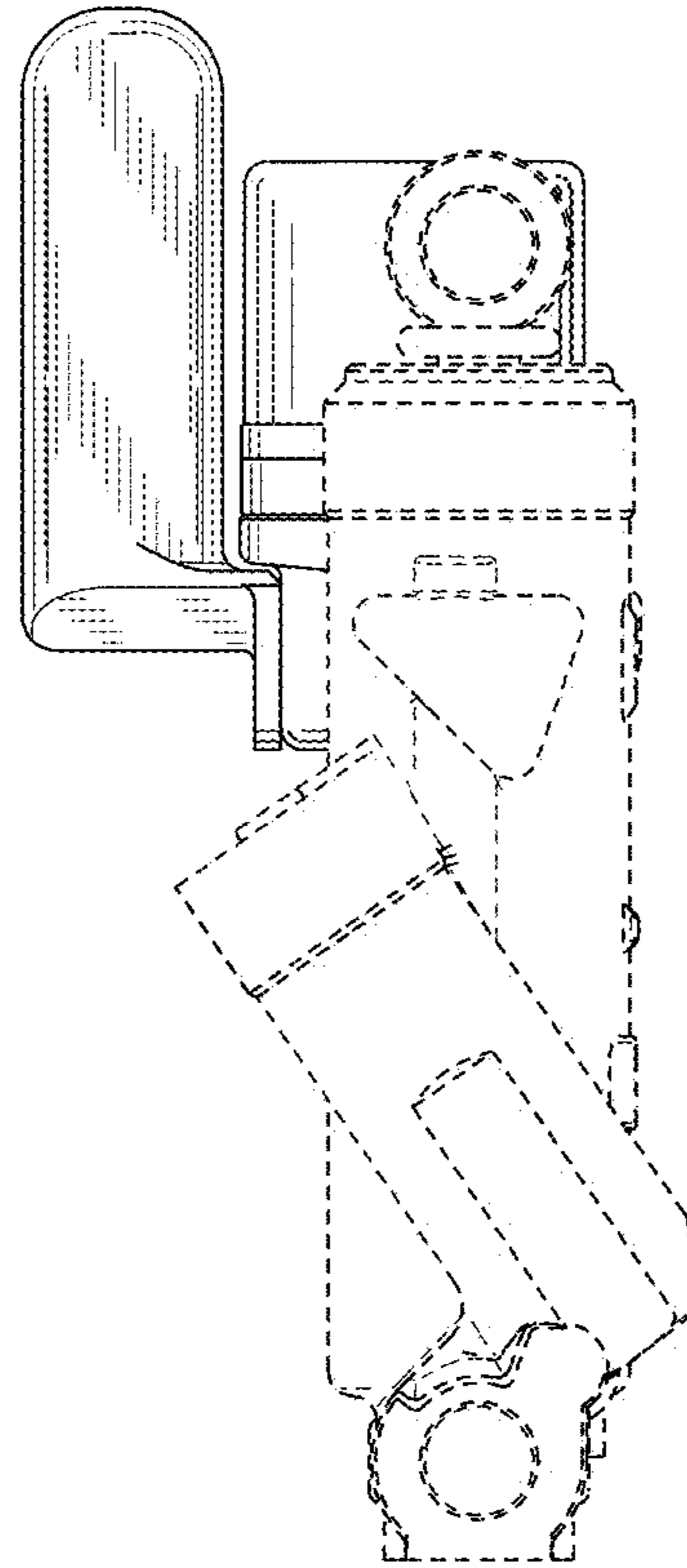


FIG. 10

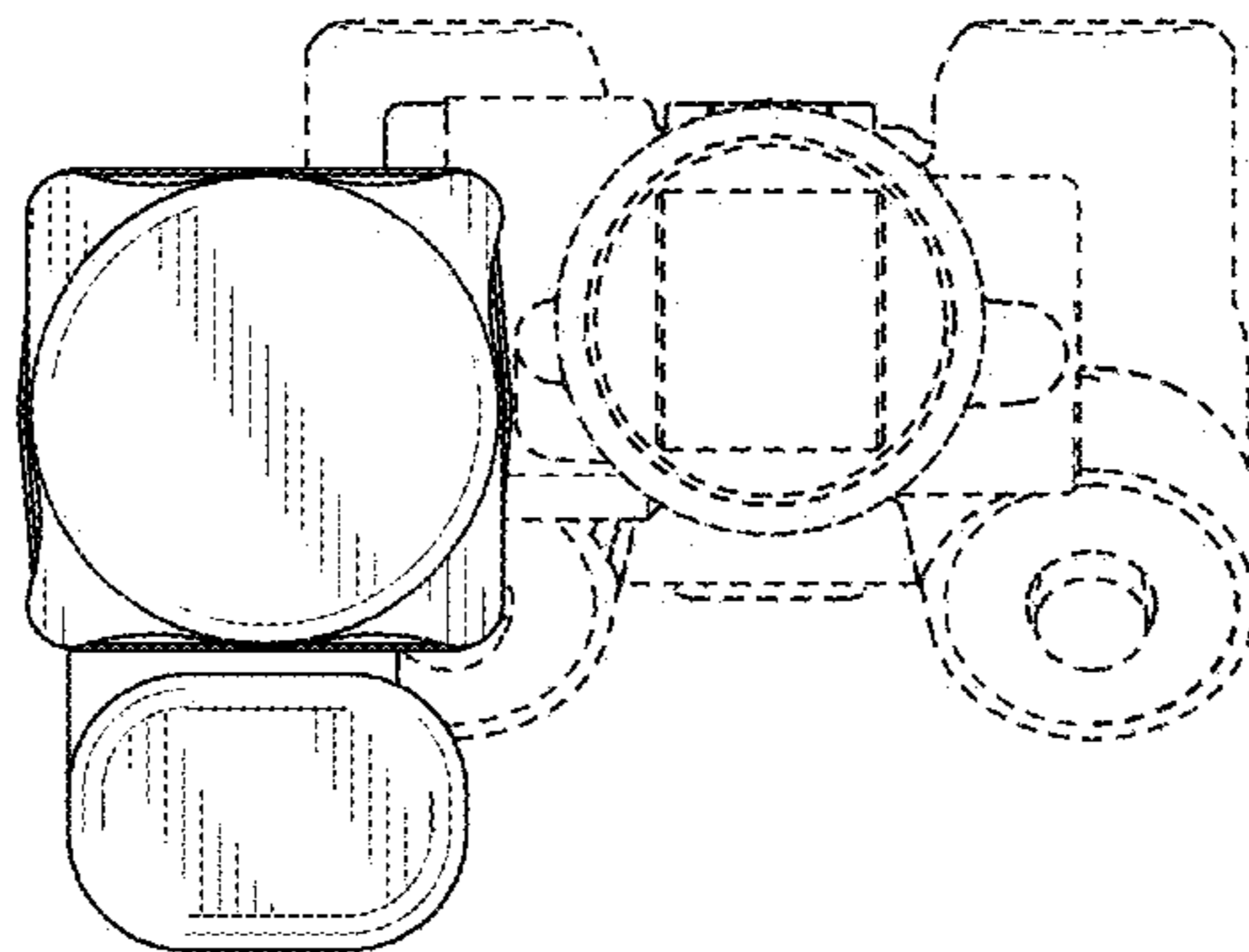


FIG. 11

