



US00D845339S

(12) **United States Design Patent**
Wu et al.

(10) **Patent No.:** **US D845,339 S**

(45) **Date of Patent:** **** Apr. 9, 2019**

(54) **DISPLAY SCREEN PORTION WITH ICON**

(71) Applicant: **International Business Machines Corporation**, Armonk, NY (US)

(72) Inventors: **Wilson L. Wu**, Arcadia, CA (US); **Dogukan Erenel**, Round Rock, TX (US); **Ajiemar D. Santiago**, Volente, TX (US); **Richard O. Lyle**, Cedar Park, TX (US)

(73) Assignee: **International Business Machines Corporation**, Armonk, NY (US)

(**) Term: **15 Years**

(21) Appl. No.: **29/581,818**

(22) Filed: **Oct. 21, 2016**

(51) **LOC (11) Cl.** **14-04**

(52) **U.S. Cl.**
USPC **D14/489**

(58) **Field of Classification Search**
USPC D14/485-495; D18/26, 31, 32, 33;
D20/11, 12, 23, 24, 25, 29, 30, 31, 32,
D20/36, 37, 38
CPC G06F 3/048; G06F 3/0481; G06F 3/0482;
G06F 3/04817; G06F 3/04812
See application file for complete search history.

(56) **References Cited**

U.S. PATENT DOCUMENTS

D619,599 S * 7/2010 Maitlen D14/485
D776,682 S * 1/2017 Kim D14/485

D783,673 S * 4/2017 Xu D14/489
D791,157 S * 7/2017 Shiino D14/486
D800,167 S * 10/2017 Hinze D14/492
D800,168 S * 10/2017 Hinze D14/492
D800,774 S * 10/2017 Hinze D14/492
D800,775 S * 10/2017 Hinze D14/492
D800,776 S * 10/2017 Hinze D14/492
D800,777 S * 10/2017 Hinze D14/492
D801,386 S * 10/2017 Xu D14/489
D813,271 S * 3/2018 Manzoni D14/492
D816,113 S * 4/2018 Schwartz D14/489
D832,289 S * 10/2018 Chen D14/486

* cited by examiner

Primary Examiner — Darlington Ly

(74) *Attorney, Agent, or Firm* — Fross Zelnick Lehrman & Zissu, P.C.; Charles T. J. Weigell, Esq.

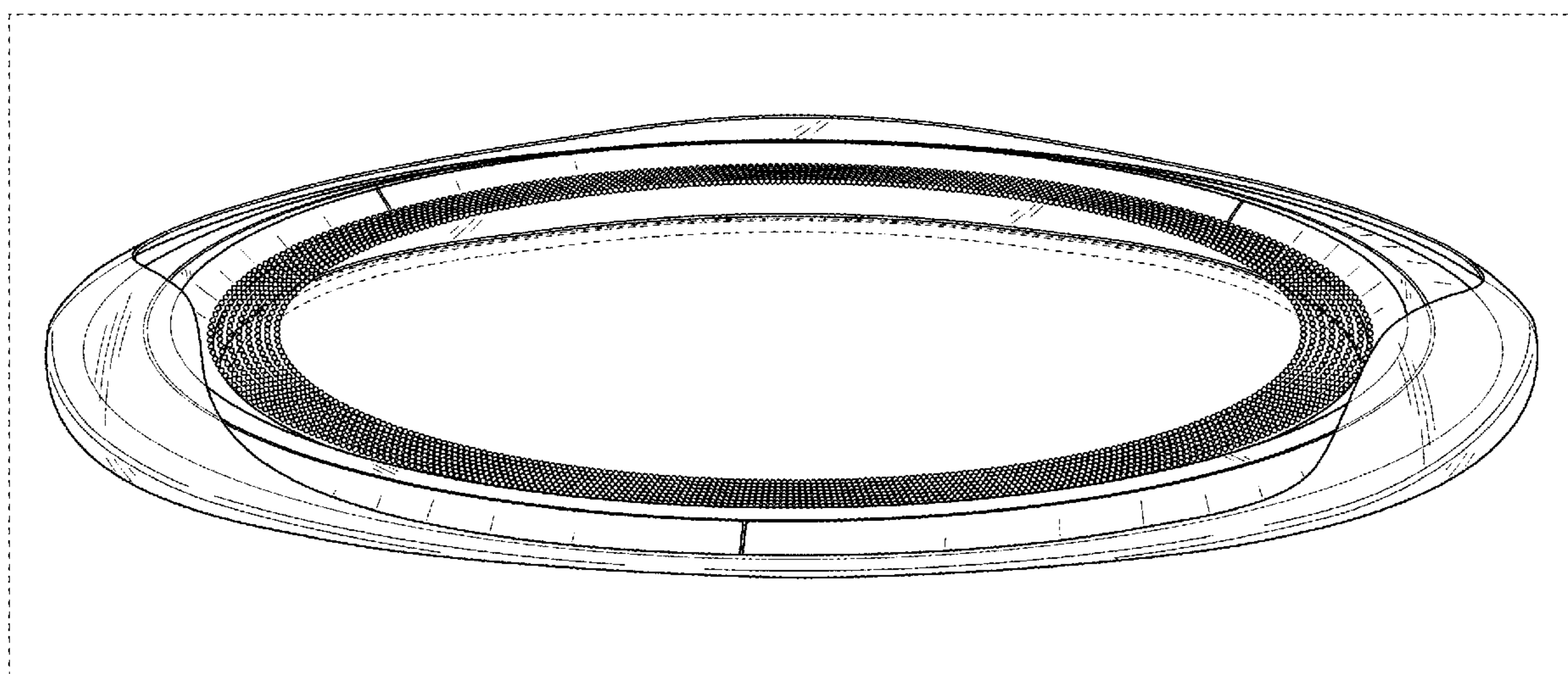
(57) **CLAIM**

The ornamental design for a display screen portion with icon, as shown and described.

DESCRIPTION

FIG. 1 is a view of a display screen portion with icon showing our new design, in which the icon is depicted in a perspective orientation; and, FIG. 2 is an alternate embodiment thereof, in which the icon is depicted in a top plan orientation. The broken lines in the drawings illustrate portions of the display screen and icon that form no part of the claimed design.

1 Claim, 2 Drawing Sheets



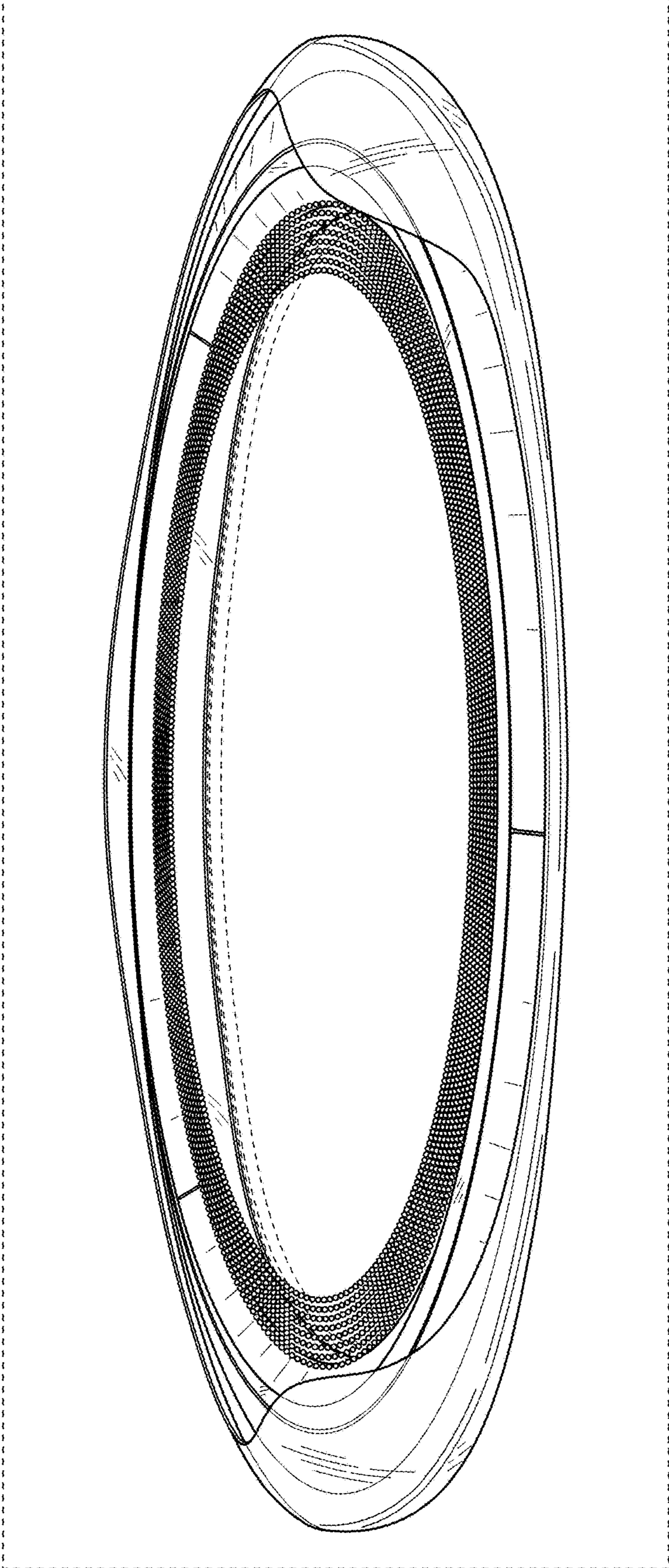


FIG. 1

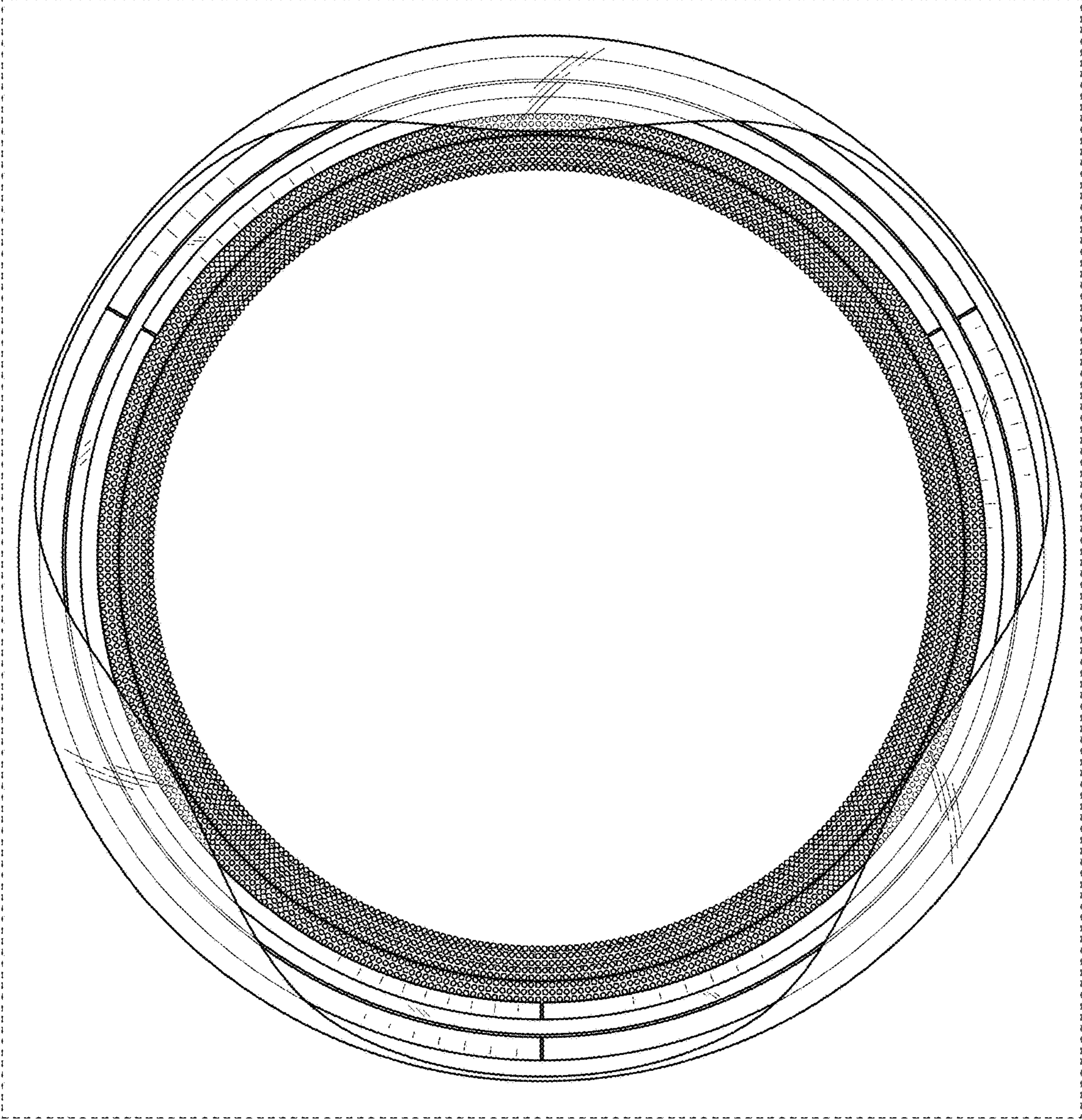


FIG. 2