



US00D845332S

(12) **United States Design Patent**
Shriram et al.

(10) **Patent No.:** **US D845,332 S**

(45) **Date of Patent:** **** Apr. 9, 2019**

(54) **DISPLAY PANEL OF A PROGRAMMED
COMPUTER SYSTEM WITH A GRAPHICAL
USER INTERFACE**

(71) Applicant: **Krikey, Inc.**, Menlo Park, CA (US)

(72) Inventors: **Jhanvi Samyukta Lakshmi Shriram**,
San Francisco, CA (US); **Ketaki
Lalitha Uthra Shriram**, San Francisco,
CA (US); **Kyuhee Keogh**, San
Francisco, CA (US)

(73) Assignee: **Krikey, Inc.**, Menlo Park, CA (US)

(**) Term: **15 Years**

(21) Appl. No.: **29/636,160**

(22) Filed: **Feb. 6, 2018**

(51) **LOC (11) Cl.** **14-04**

(52) **U.S. Cl.**
USPC **D14/486**

(58) **Field of Classification Search**
USPC D14/485–495; 345/1.1, 1.2, 2.1–2.3, 3.1,
345/902; 715/763, 810, 836, 837, 846,
715/847, 977

CPC G06F 3/048; G06F 3/0481; G06F 3/04812;
G06F 3/04817; G06F 3/0482; G06F
3/0483; G06F 3/0484; G06F 3/04847;
G06F 3/0485; G06F 3/04855; G06F
3/04886; G06Q 30/00; H03J 1/00; H03J
1/0008; H03J 1/0016; H03J 1/0025;
H04N 5/00; H04N 5/08; H04N 5/14;
H04N 5/222; H04N 5/225; H04N 5/232;
H04N 5/445; H04N 5/44543; H04N 5/45;
H04N 2005/44517; H04N 2005/44521;
H04N 2005/44526; H04N 2005/4453;
H04N 2005/44534; H04N 2005/44539;
H04N 2005/44547; H04N 2005/44556;
H04N 2005/4456; H04N 2005/44565;
H04N 2005/44569; H04N 2005/44573;
H04N 21/00; H04N 21/234; H04N
21/431; H04N 21/4312; H04N 21/4314;
H04N 21/4316

See application file for complete search history.

(56) **References Cited**

U.S. PATENT DOCUMENTS

D630,644 S * 1/2011 Wilson D14/486
D635,987 S * 4/2011 Mays D14/487

(Continued)

OTHER PUBLICATIONS

Lupse, Alex. “Experimental iPhone Navigation.” dribbble.com.
Feb. 3, 2013. Accessed Nov. 7, 2018. Available online at URL:
<<https://dribbble.com/shots/925790-Experimental-iPhone-Navigation>> (Year: 2013).*

(Continued)

Primary Examiner — Cathron C Brooks

Assistant Examiner — Christian P. McLean

(74) *Attorney, Agent, or Firm* — Fenwick & West LLP

(57) **CLAIM**

The ornamental design for a display panel of a programmed
computer system with a graphical user interface, as shown
and described.

DESCRIPTION

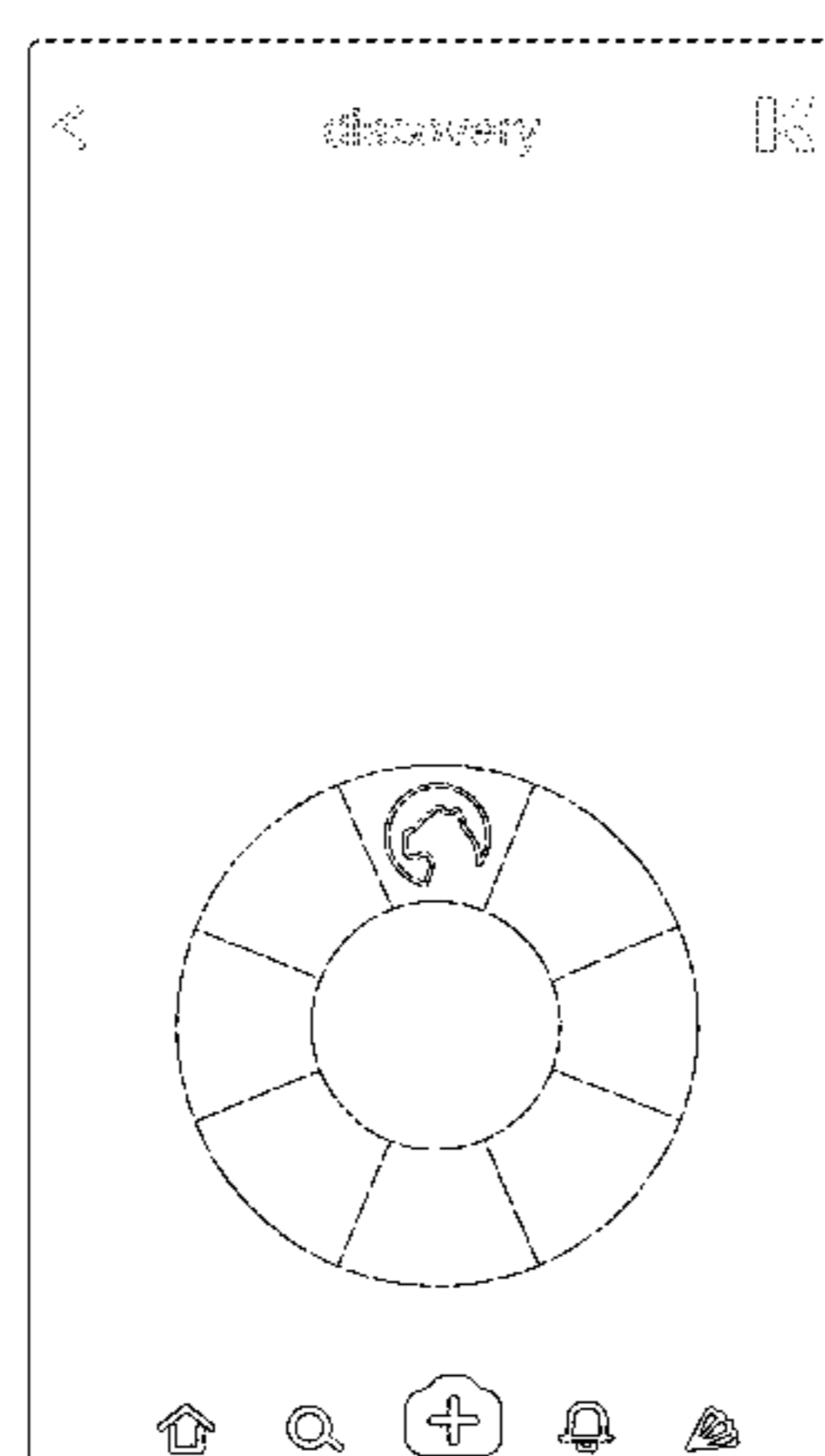
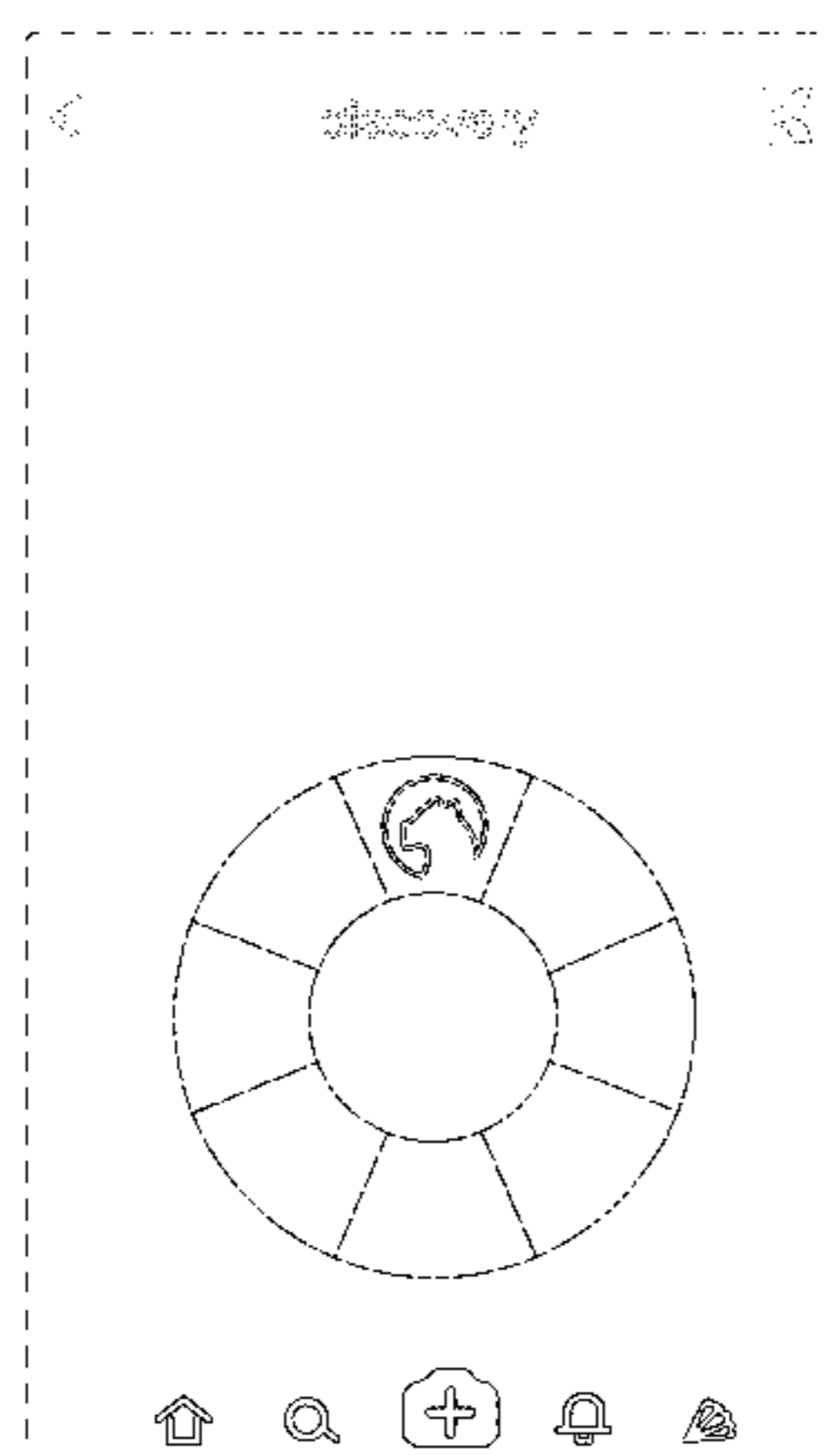
FIG. 1 is a view of a first embodiment of a display panel of
a programmed computer system with a graphical user inter-
face;

FIG. 2 is a view of a second embodiment of a display panel
of a programmed computer system with a graphical user
interface; and,

FIG. 3 is a view of a third embodiment of a display panel of
a programmed computer system with a graphical user inter-
face.

The outermost broken lines in FIGS. 1 and 2 illustrate a
display panel. The remaining broken lines illustrate portions
of the graphical user interface. None of the broken lines
form part of the claimed design.

1 Claim, 3 Drawing Sheets



(56)

References Cited

U.S. PATENT DOCUMENTS

D716,316 S * 10/2014 Behzadi D14/485
 D736,780 S * 8/2015 Wang D14/485
 D755,798 S * 5/2016 Zheng D14/485
 D763,266 S * 8/2016 Myung G06F 3/04817
 D766,267 S * 9/2016 Lee D14/485
 D768,141 S * 10/2016 Andre D14/485
 D786,269 S * 5/2017 Lin D14/485
 D804,514 S * 12/2017 Watanabe D14/487
 D807,384 S * 1/2018 Quattrocchi D14/486
 D809,554 S * 2/2018 Lu D14/487
 D815,665 S * 4/2018 Li D14/488
 D823,320 S * 7/2018 Peeters D14/485
 D823,866 S * 7/2018 Laing D14/485
 D824,935 S * 8/2018 Boutoussov D14/486
 D832,284 S * 10/2018 Tokash D14/485
 D832,870 S * 11/2018 Hu D14/486
 2006/0095865 A1 * 5/2006 Rostom G06F 3/0482
 715/810

2007/0261006 A1 * 11/2007 Reissmueller G06Q 10/107
 715/837
 2007/0271528 A1 * 11/2007 Park G06F 3/0482
 715/810
 2013/0019208 A1 * 1/2013 Kotler G06F 3/04812
 715/835
 2014/0195979 A1 * 7/2014 Branton G06F 3/0488
 715/834
 2015/0058769 A1 * 2/2015 Kim G06F 9/451
 715/765
 2016/0019352 A1 * 1/2016 Cohen G06O 50/24
 705/3
 2016/0342302 A1 * 11/2016 Wang G06F 3/0414
 2017/0192627 A1 * 7/2017 Agnoli G06F 3/0482

OTHER PUBLICATIONS

“Photo App—Radial Controller | UX, UI, iOS.” dribbble.com. Jun. 17, 2014. Accessed Nov. 7, 2018. Available online at URL: <<https://dribbble.com/shots/1600886-Photo-App-Radial-Controller>> (Year: 2014).*

* cited by examiner

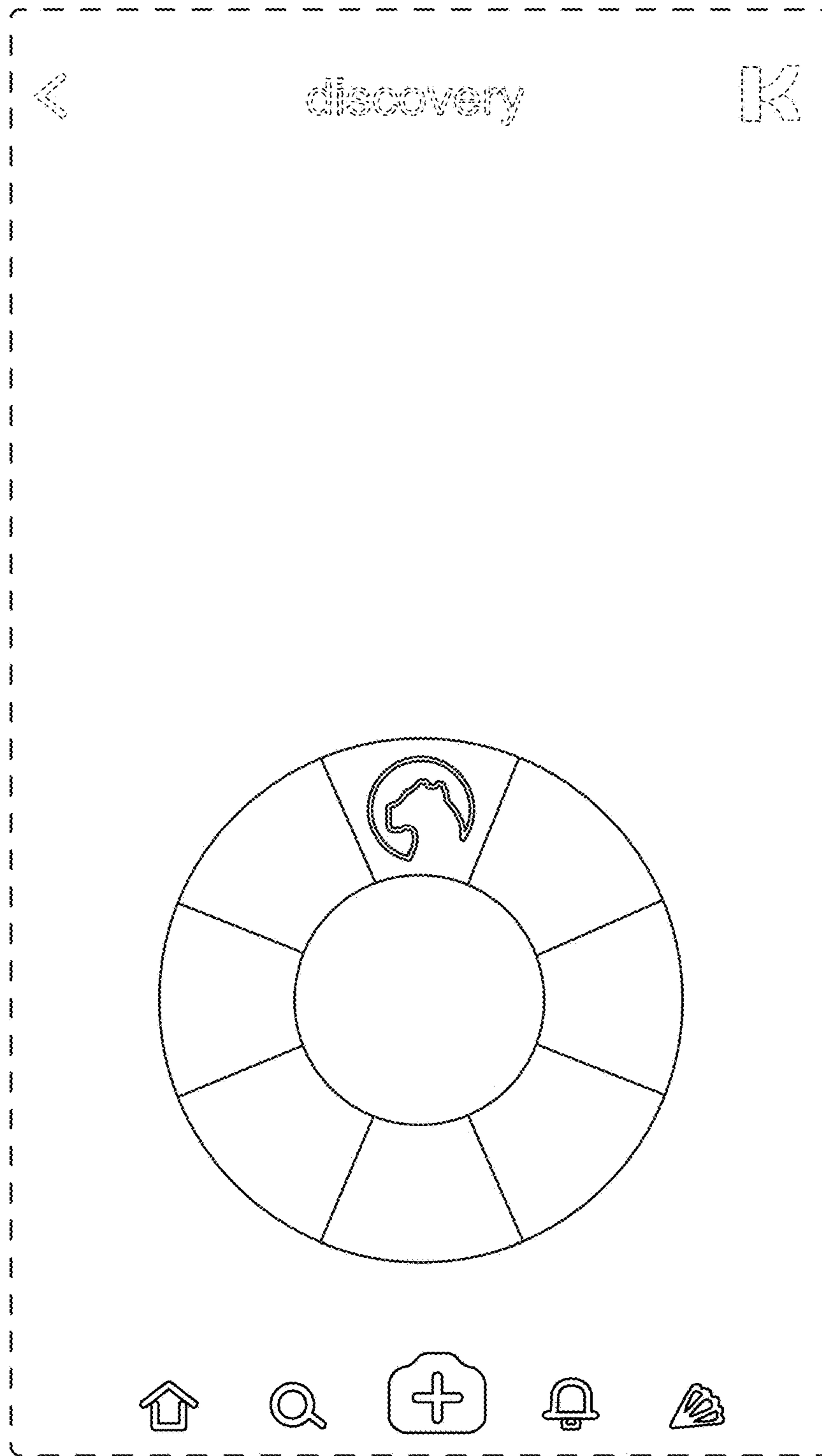


FIG. 1

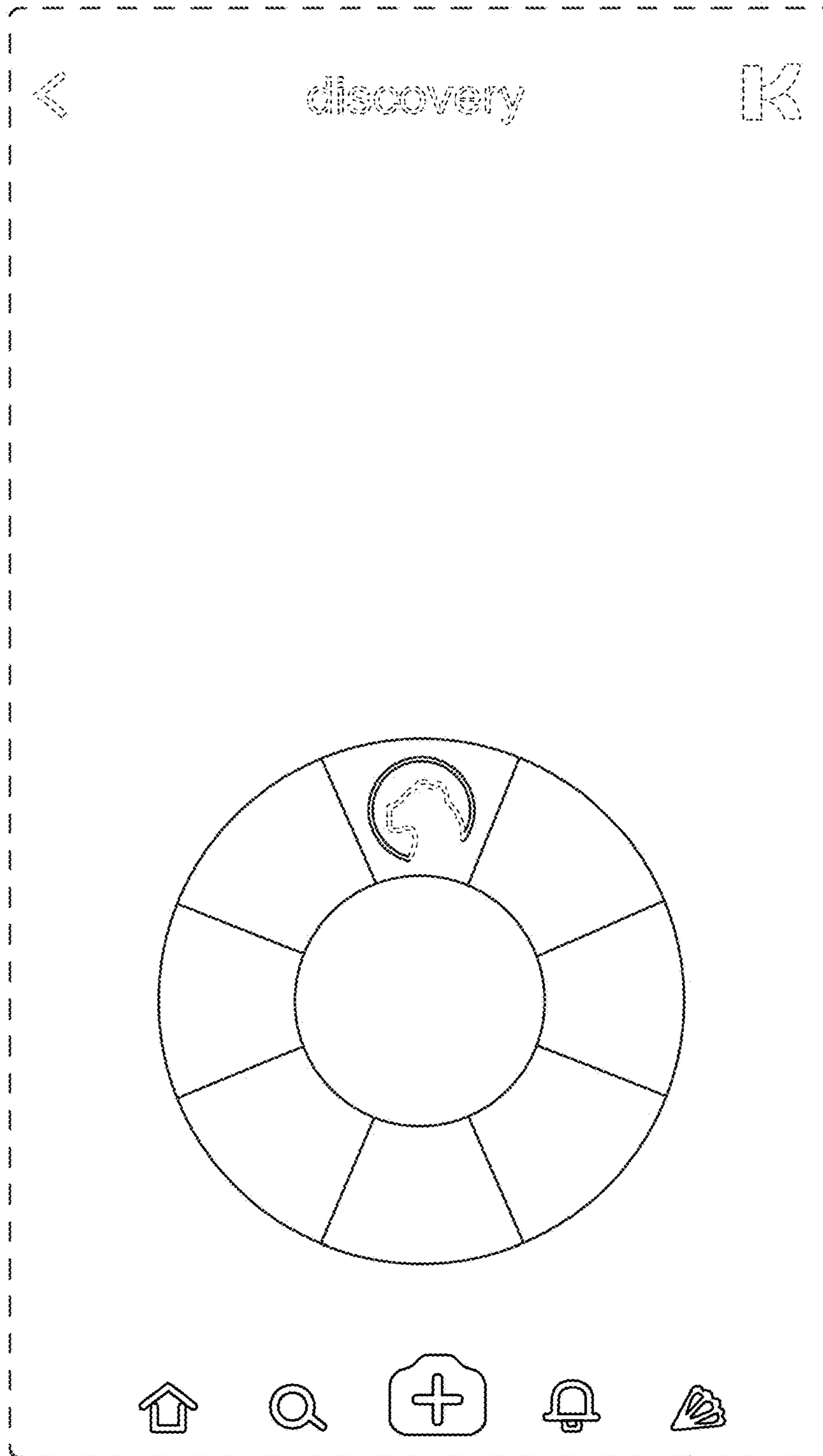


FIG. 2

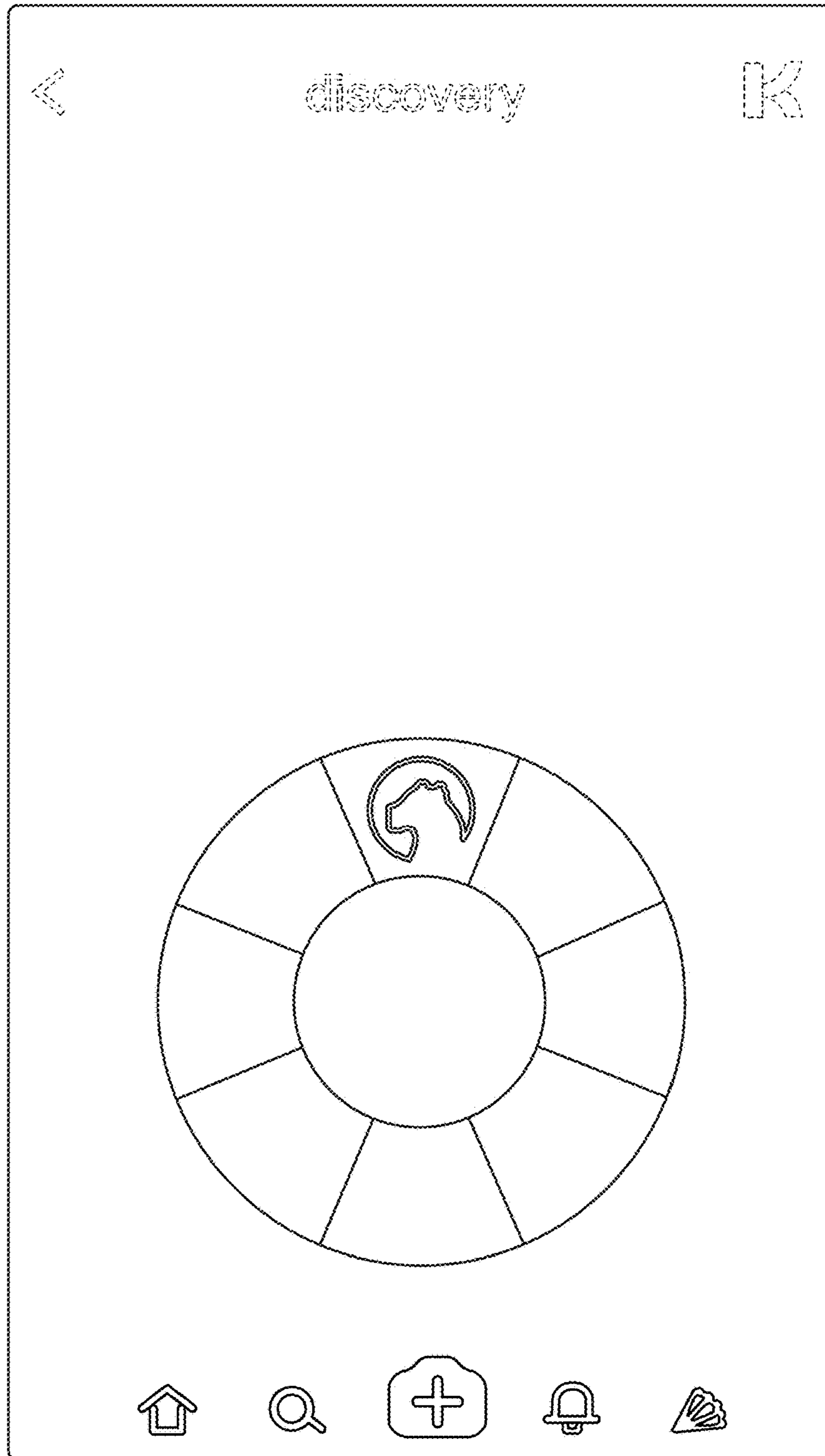


FIG. 3