



US00D845317S

(12) **United States Design Patent** (10) **Patent No.:** **US D845,317 S**  
**Wellmeier et al.** (45) **Date of Patent:** **\*\* Apr. 9, 2019**

(54) **DISPLAY SCREEN OR PORTION THEREOF WITH A GRAPHICAL USER INTERFACE**

(71) Applicant: **Lennox Industries Inc.**, Richardson, TX (US)

(72) Inventors: **Chelsea Wellmeier**, Carrollton, TX (US); **Anna Vishinsky**, Little Elm, TX (US)

(73) Assignee: **Lennox Industries Inc.**, Richardson, TX (US)

(\*\*) Term: **15 Years**

(21) Appl. No.: **29/591,471**

(22) Filed: **Jan. 20, 2017**

(51) **LOC (11) Cl.** ..... **14-04**

(52) **U.S. Cl.**  
USPC ..... **D14/486**; D14/488

(58) **Field of Classification Search**  
USPC ..... D14/485–495  
CPC .. G06F 3/0481; G06F 3/04812; G06F 3/0486; G06F 3/04847; G06F 3/0485; G06F 3/048; G06F 3/0488; G06F 3/0482; G06F 3/04842; G06F 3/04817; H04N 1/00477; G06T 2200/24

See application file for complete search history.

(56) **References Cited**

**U.S. PATENT DOCUMENTS**

- D693,837 S \* 11/2013 Bouchier ..... D14/486
- D701,220 S \* 3/2014 Kim ..... D14/485
- D703,221 S \* 4/2014 Park ..... D14/486
- D706,807 S \* 6/2014 Harre ..... D14/488
- D708,203 S \* 7/2014 Johnson ..... D14/487
- D713,411 S \* 9/2014 Gall ..... D14/485
- D716,316 S \* 10/2014 Behzadi ..... D14/485
- D717,335 S \* 11/2014 Sakuma ..... D14/487

- D721,086 S \* 1/2015 Hontz, Jr. .... D14/485
- D740,302 S \* 10/2015 Son ..... G06F 3/04817  
D14/485
- D742,898 S \* 11/2015 Matas ..... D14/485
- D744,502 S \* 12/2015 Wilberding ..... D14/485
- D746,828 S \* 1/2016 Arai ..... D14/485
- D750,660 S \* 3/2016 Caldwell ..... G06Q 40/00  
D14/486
- D752,618 S \* 3/2016 Lee ..... D14/486
- D758,403 S \* 6/2016 Lee ..... D14/486
- D763,269 S \* 8/2016 Lee ..... D14/485
- D763,308 S \* 8/2016 Wang ..... D14/486
- D765,681 S \* 9/2016 Nagel ..... D14/486
- D767,586 S \* 9/2016 Kwon ..... D14/485
- D775,148 S \* 12/2016 Anzures ..... D14/485
- D783,672 S \* 4/2017 Rajasankar ..... D14/488
- D795,906 S \* 8/2017 Butrick ..... D14/486
- D816,090 S \* 4/2018 Stonecipher ..... D14/485
- D824,400 S \* 7/2018 Chang ..... D14/485
- D824,417 S \* 7/2018 Narinedhat ..... D14/488
- 2010/0087230 A1 \* 4/2010 Peh ..... G06F 3/04817  
455/566

(Continued)

*Primary Examiner* — Darlington Ly

*Assistant Examiner* — Katherine A Holbrow

(74) *Attorney, Agent, or Firm* — Baker Botts L.L.P.

(57) **CLAIM**

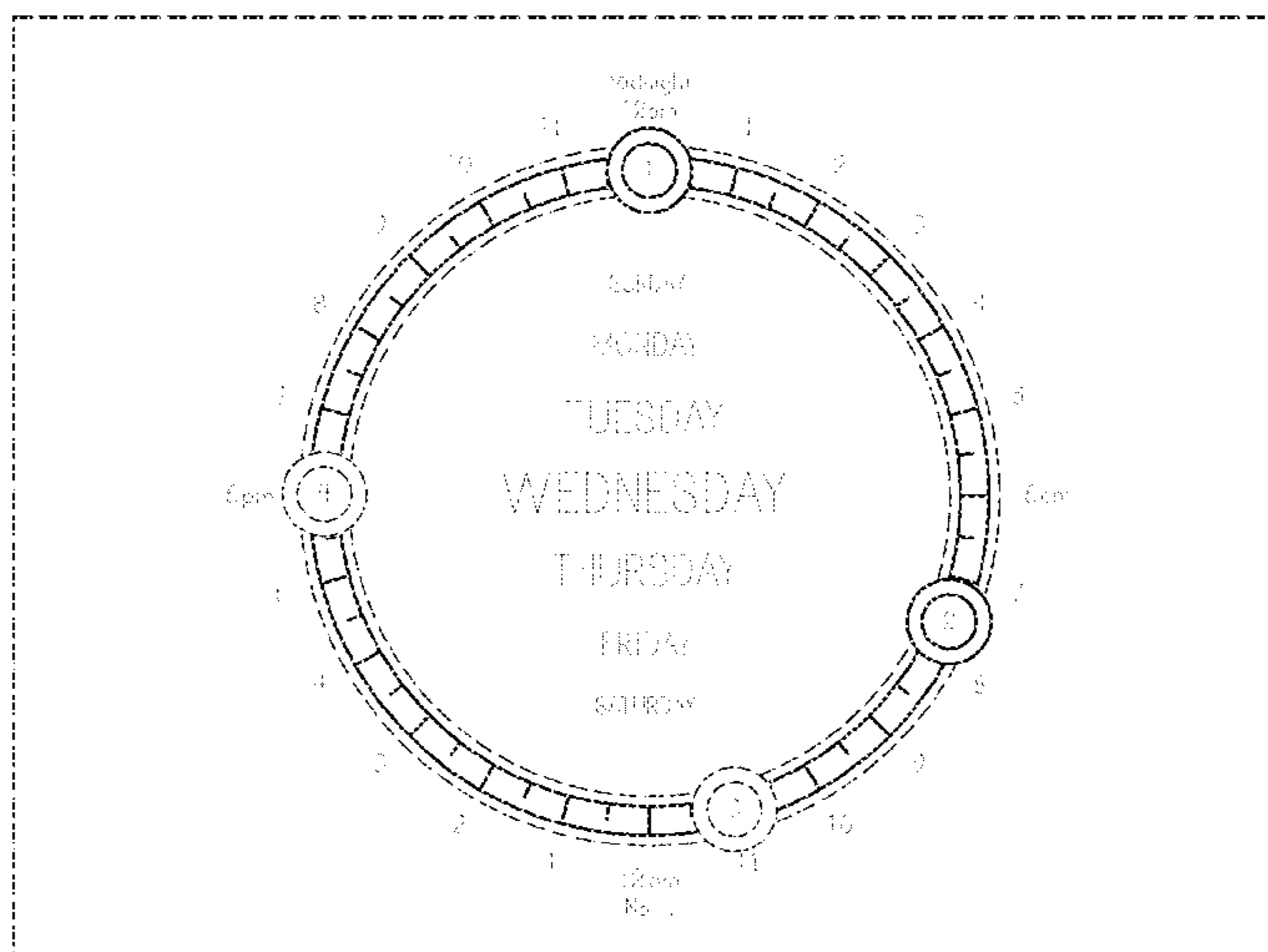
The ornamental design for a display screen or portion thereof with a graphical user interface, as shown and described.

**DESCRIPTION**

The FIGURE is a front view of a display screen or portion thereof with a graphical user interface, showing the new design.

The outer broken line rectangle shows the display screen portion, depicts the bounds of the claimed design, and forms no part thereof. All other broken lines show portions of the article and form no part of the claimed design.

**1 Claim, 1 Drawing Sheet**



(56)

**References Cited**

U.S. PATENT DOCUMENTS

2015/0169505 A1\* 6/2015 Kim ..... G06F 3/0484  
715/269

\* cited by examiner

