



US00D845313S

(12) **United States Design Patent**
Pitta et al.

(10) **Patent No.:** **US D845,313 S**
(45) **Date of Patent:** **** Apr. 9, 2019**

(54) **DISPLAY SCREEN OR PORTION THEREOF WITH TRANSITIONAL GRAPHICAL USER INTERFACE**

(71) Applicant: **Google Inc.**, Mountain View, CA (US)

(72) Inventors: **Om Prakash Pitta**, San Jose, CA (US); **Zhongchao Yu**, Sunnyvale, CA (US); **Comest Allen**, Mountain View, CA (US); **Thomas Shimko**, Brooklyn, NY (US); **Yunjuan Feng**, Campbell, CA (US); **Deanna Carey**, San Jose, CA (US); **Jordan Grossman**, Mountain View, CA (US); **Mayank Singhal**, Mountain View, CA (US); **Jeroen Jilissen**, Campbell, CA (US); **Ting Liu**, Menlo Park, CA (US); **Jacob Bank**, San Francisco, CA (US); **Omry Pruzan**, Mountain View, CA (US); **Jian Qiao**, Mountain View, CA (US)

(73) Assignee: **Google LLC**, Mountain View, CA (US)

(**) Term: **15 Years**

(21) Appl. No.: **29/599,165**

(22) Filed: **Mar. 31, 2017**

(51) **LOC (11) Cl.** **14-04**

(52) **U.S. Cl.**
USPC **D14/485**

(58) **Field of Classification Search**
USPC D14/485-495; 345/1.1, 1.2, 2.1-2.3, 3.1, 345/902; 715/763, 810, 836, 837, 846, 715/847, 977

(Continued)

(56) **References Cited**

U.S. PATENT DOCUMENTS

D726,219 S * 4/2015 Chaudhri D14/489
D737,847 S * 9/2015 Chaudhri D14/487

(Continued)

OTHER PUBLICATIONS

Cross, Jason. "Gmail Android app adds unified inbox, conversation view, and smarter search." greenbot.com. Mar. 30, 2015. Accessed Sep. 1, 2018. Available online at URL: <https://www.greenbot.com/article/2904032/gmail-android-app-adds-unified-inbox-conversation-view-and-smarter-search.html> (Year: 2015).*

Primary Examiner — Cathron C Brooks

Assistant Examiner — Christian P. McLean

(74) *Attorney, Agent, or Firm* — Leason Ellis LLP

(57) **CLAIM**

The ornamental design for a display screen or portion thereof with transitional graphical user interface, as shown and described.

DESCRIPTION

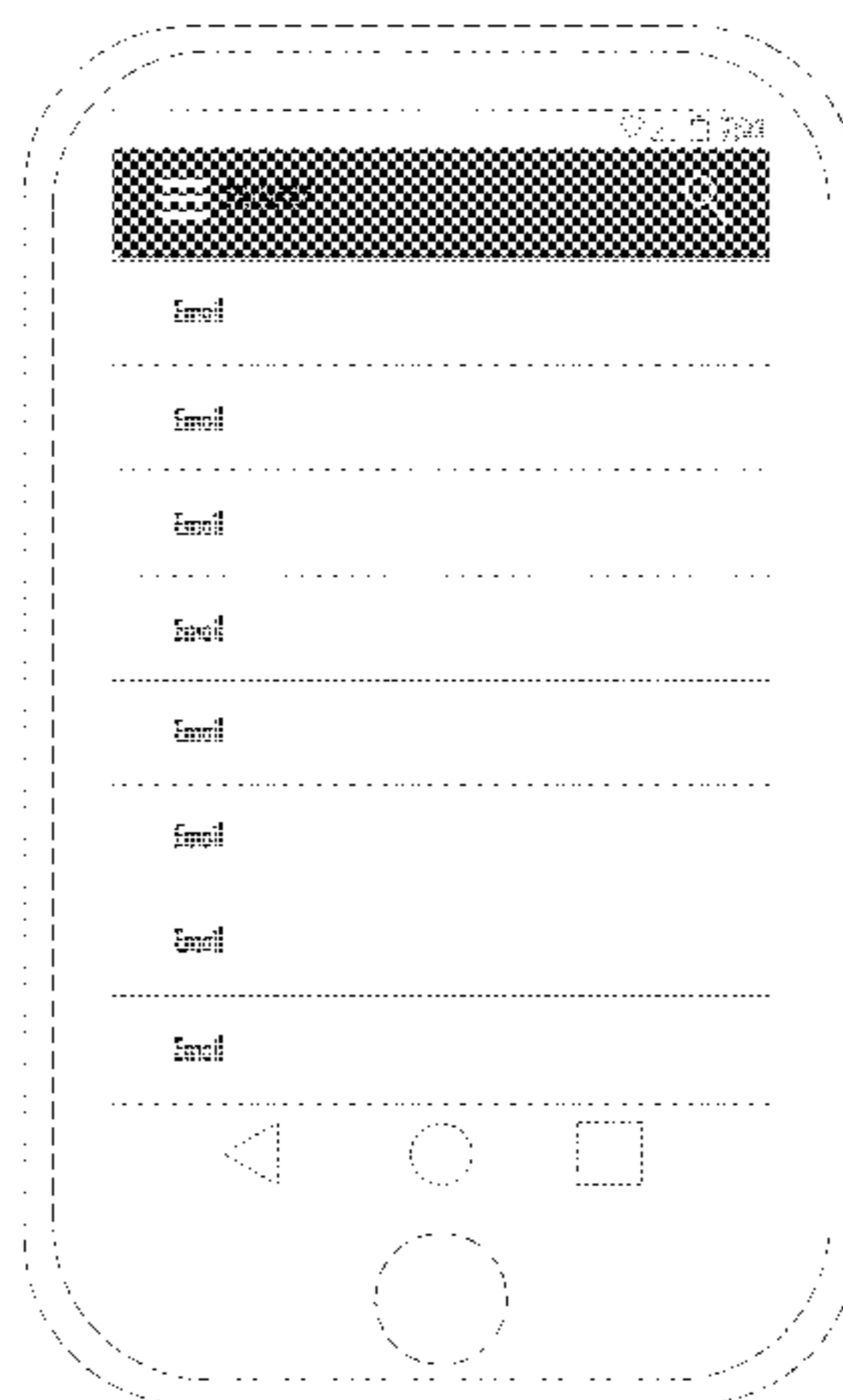
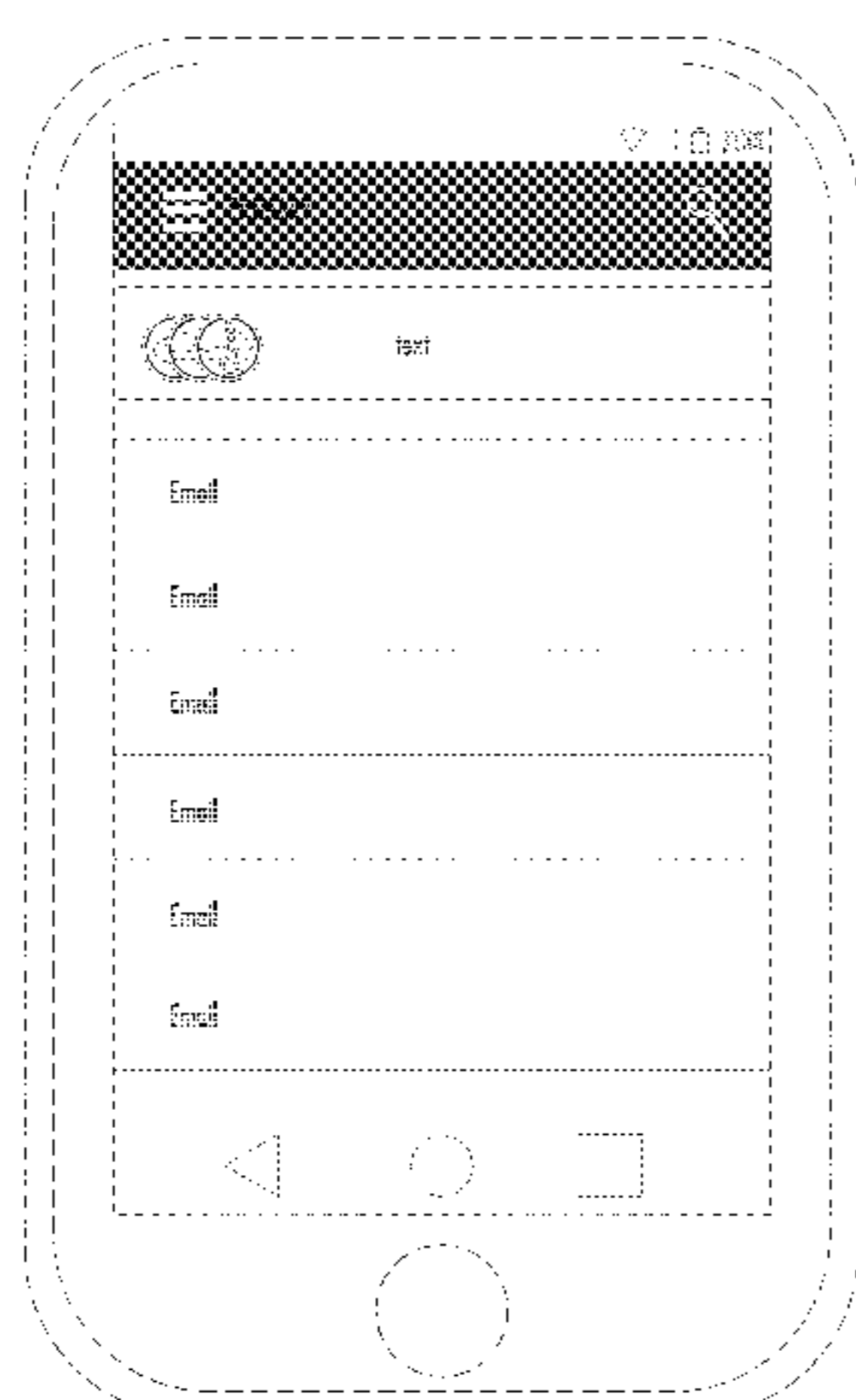
FIG. 1 is a front view of a display screen or portion thereof with transitional graphical user interface showing a first image in a first sequence according to the claimed design; FIG. 2 is a front view showing a second image in the first sequence according to the claimed design; FIG. 3 is a front view showing a first image in a second sequence according to the claimed design; FIG. 4 is a front view showing a second image in the second sequence according to the claimed design; FIG. 5 is a front view showing a first image in a third sequence according to the claimed design; FIG. 6 is a front view showing a second image in the third sequence according to the claimed design; FIG. 7 is a front view showing a first image in a fourth sequence according to the claimed design; and, FIG. 8 is a front view showing a second image in the fourth sequence according to the claimed design.

The appearance of the image transitions sequentially between the images shown in FIGS. 1-2, FIGS. 3-4, FIGS. 5-6, and FIG. 7. The process or period in which one image transitions to another image forms no part of the claimed design.

The shading depicts a contrast in appearance.

The two outermost broken lines and the large, lower broken line circle illustrate an electronic device, which is the

(Continued)



environment of the design, and form no part of the claimed design. The dot-dot-dash broken lines illustrate a symbolic break in vertical dimension. The appearance of any portion of the graphical user interface between the break lines forms no part of the claimed design. The remaining broken lines illustrate portions of the display screen and portions of the graphical user interface that form no part of the claimed design.

1 Claim, 8 Drawing Sheets

(58) **Field of Classification Search**

CPC G06F 3/048; G06F 3/0481; G06F 3/04812;
 G06F 3/04817; G06F 3/0482; G06F
 3/0483; G06F 3/0484; G06F 3/04847;
 G06F 3/0485; G06F 3/04855; G06F
 3/04886; G06Q 30/00; H03J 1/00; H03J
 1/0008; H03J 1/0016; H03J 1/0025;
 H04N 5/00; H04N 5/08; H04N 5/14;
 H04N 5/222; H04N 5/225; H04N 5/232;
 H04N 5/445; H04N 5/44543; H04N 5/45;
 H04N 2005/44517; H04N 2005/44521;
 H04N 2005/44526; H04N 2005/4453;
 H04N 2005/44534; H04N 2005/44539;
 H04N 2005/44547; H04N 2005/44556;
 H04N 2005/4456; H04N 2005/44565;
 H04N 2005/44569; H04N 2005/44573;

H04N 21/00; H04N 21/234; H04N
 21/431; H04N 21/4312; H04N 21/4314;
 H04N 21/4316

See application file for complete search history.

(56)

References Cited

U.S. PATENT DOCUMENTS

D756,379	S	*	5/2016	Apodaca	D14/485
D769,892	S	*	10/2016	Anzures	D14/485
D778,941	S	*	2/2017	Coffman	D14/486
D778,942	S	*	2/2017	Coffman	D14/486
D789,385	S	*	6/2017	Butcher	D14/485
D796,543	S	*	9/2017	Broughton	D14/489
D804,526	S	*	12/2017	Chen	D14/489
D805,550	S	*	12/2017	Butcher	D14/488
D808,402	S	*	1/2018	Butcher	D14/485
D813,905	S	*	3/2018	Coffman	D14/488
D817,987	S	*	5/2018	Broughton	D14/486
D819,072	S	*	5/2018	Clediere	D14/487
D822,054	S	*	7/2018	Persson	D14/487
D822,711	S	*	7/2018	Bachman	D14/487
D823,890	S	*	7/2018	Ive	D14/489
D830,375	S	*	10/2018	Phillips	D14/485
D830,401	S	*	10/2018	Mancuso	D14/486
D834,611	S	*	11/2018	Zeng	D14/488
D836,662	S	*	12/2018	Mancuso	D14/486
2015/0033174	A1	*	1/2015	Hisatsugu	B60K 37/06 715/771

* cited by examiner

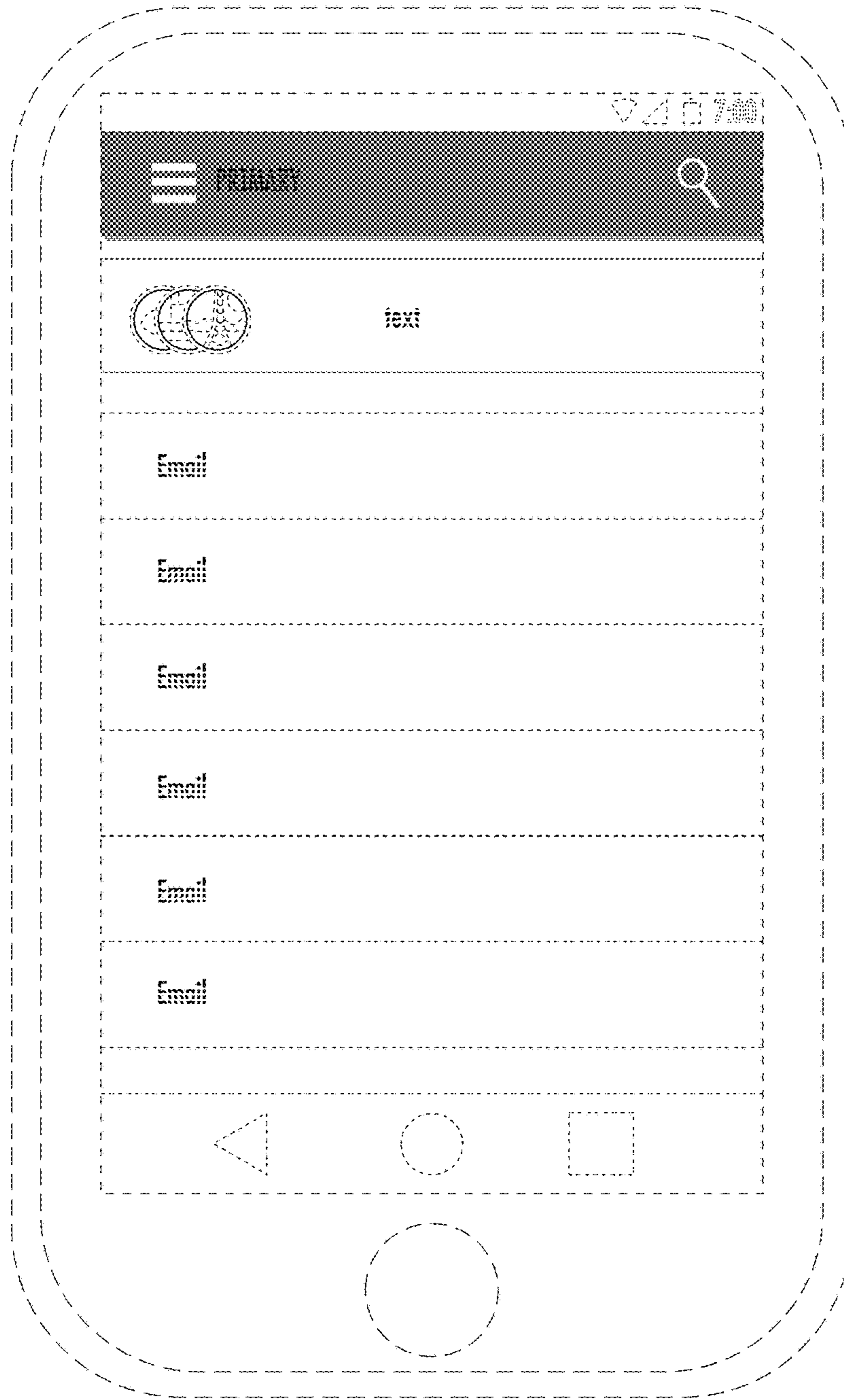


FIG. 1

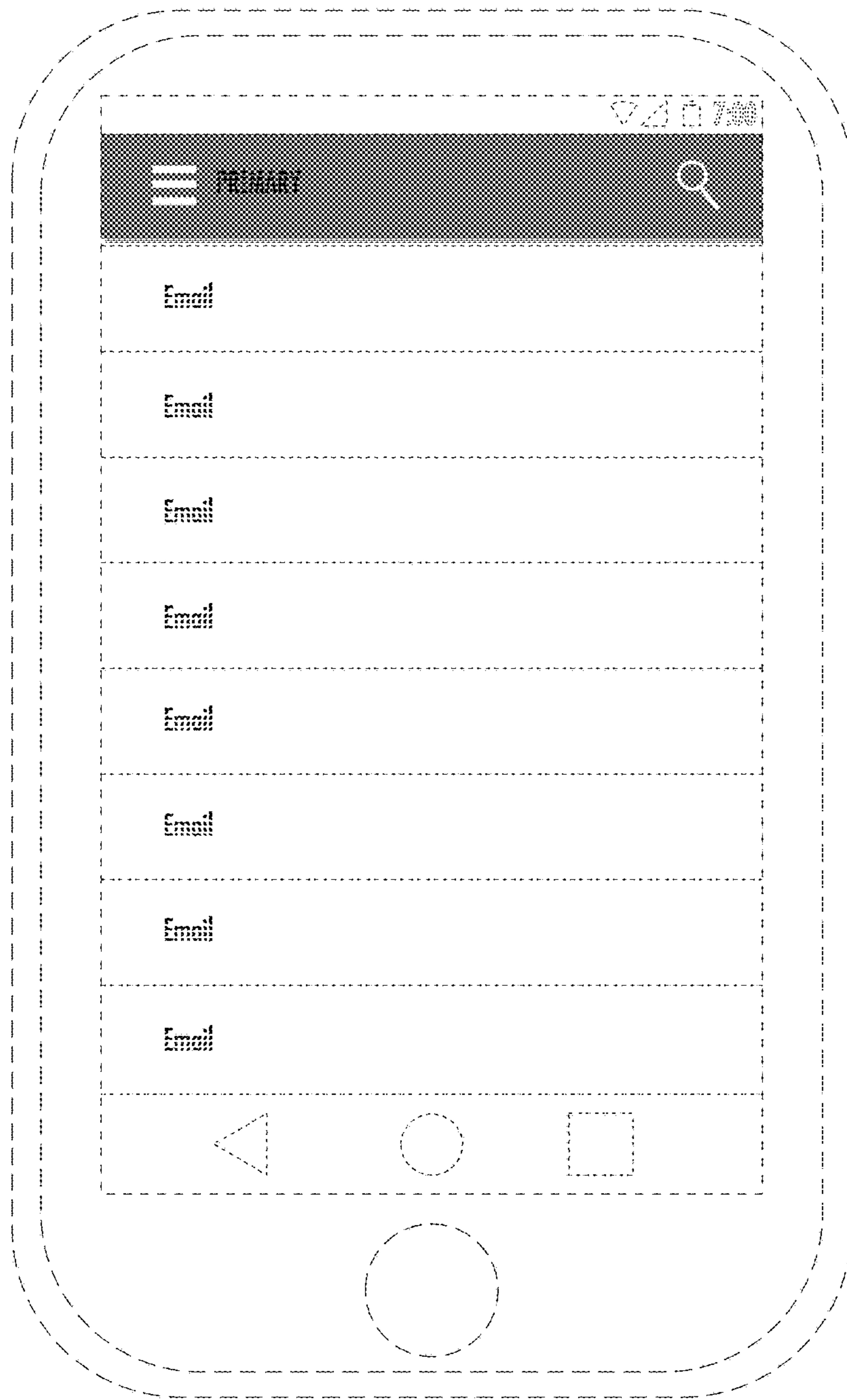


FIG. 2

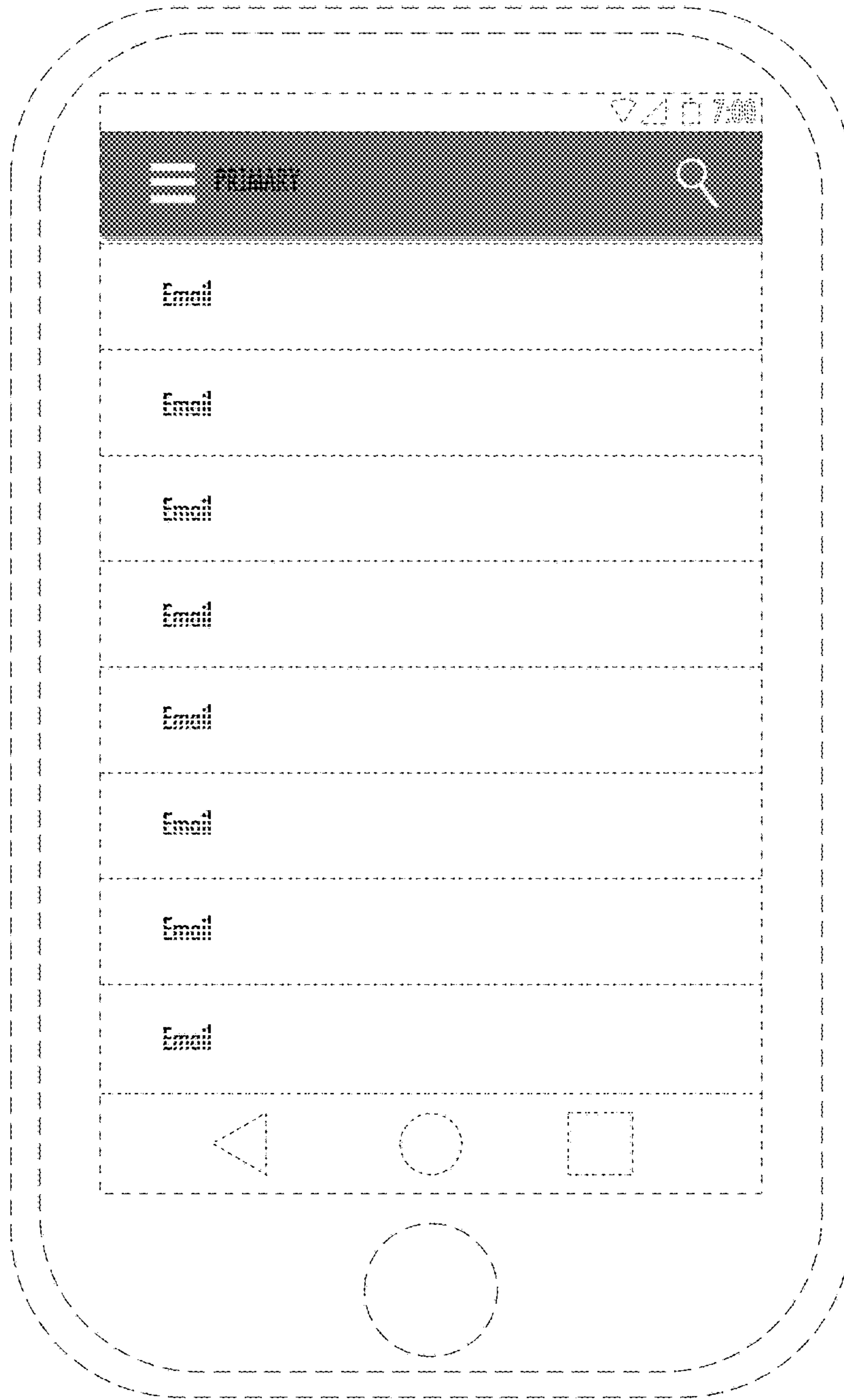


FIG. 3

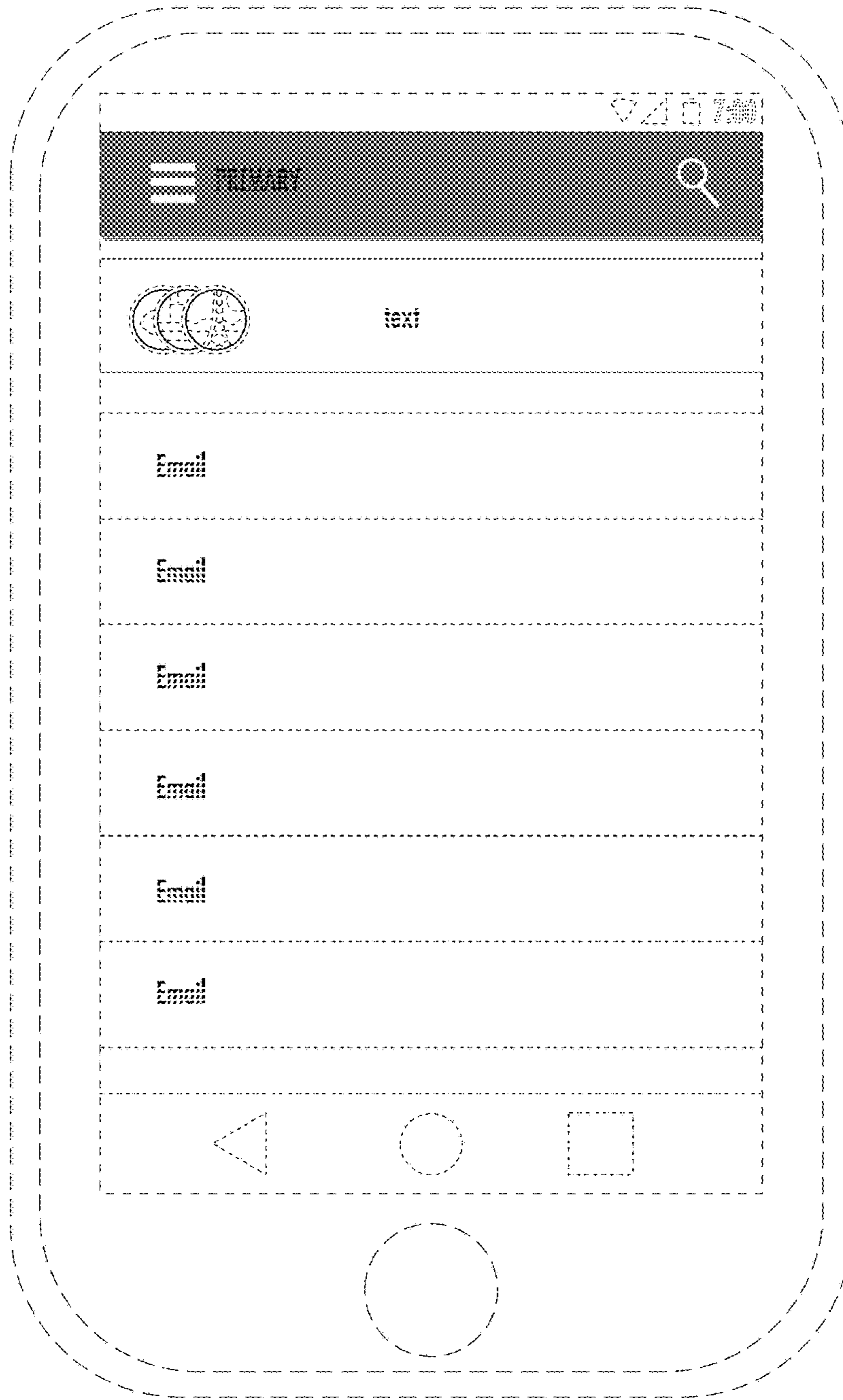


FIG. 4

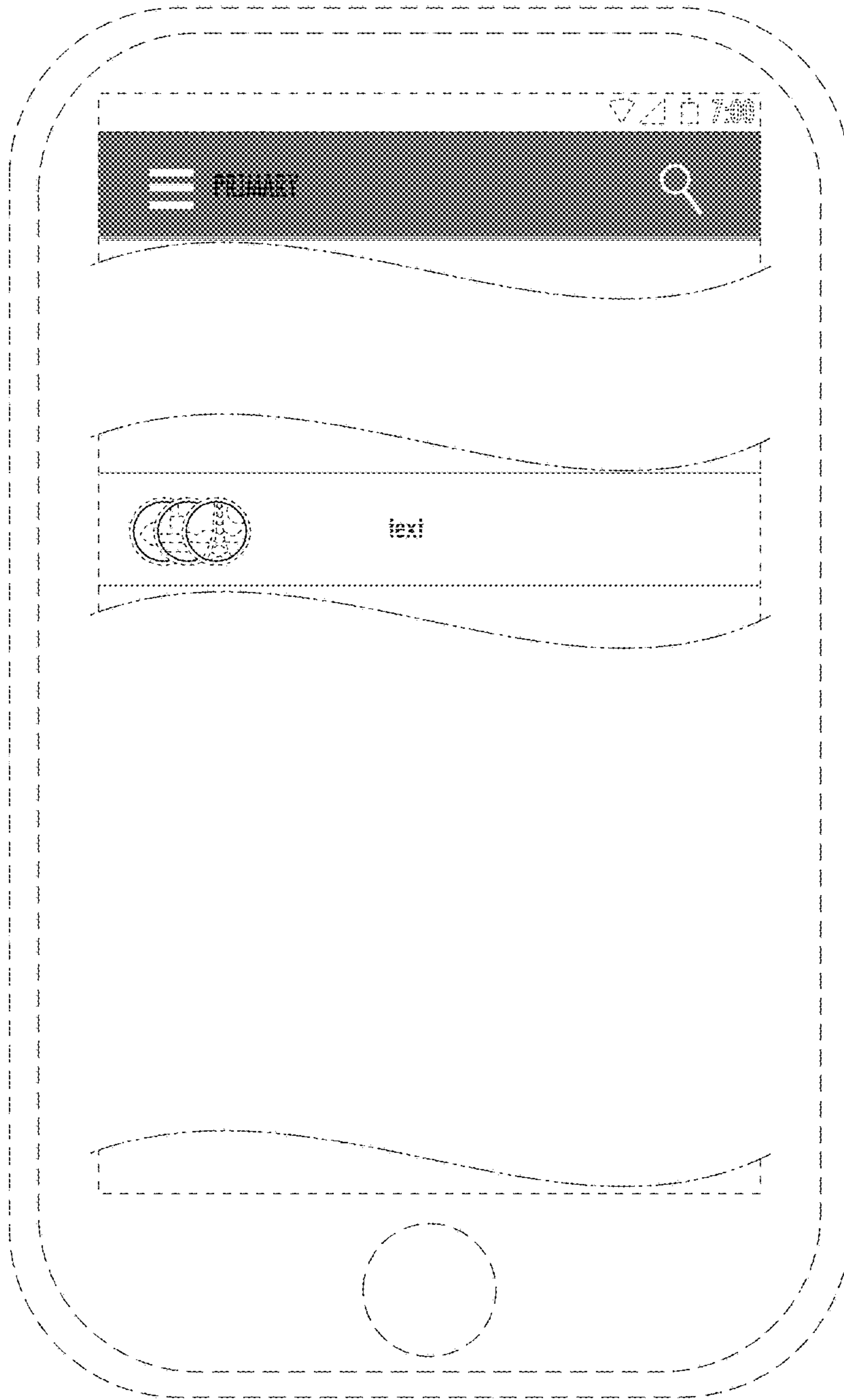


FIG. 5

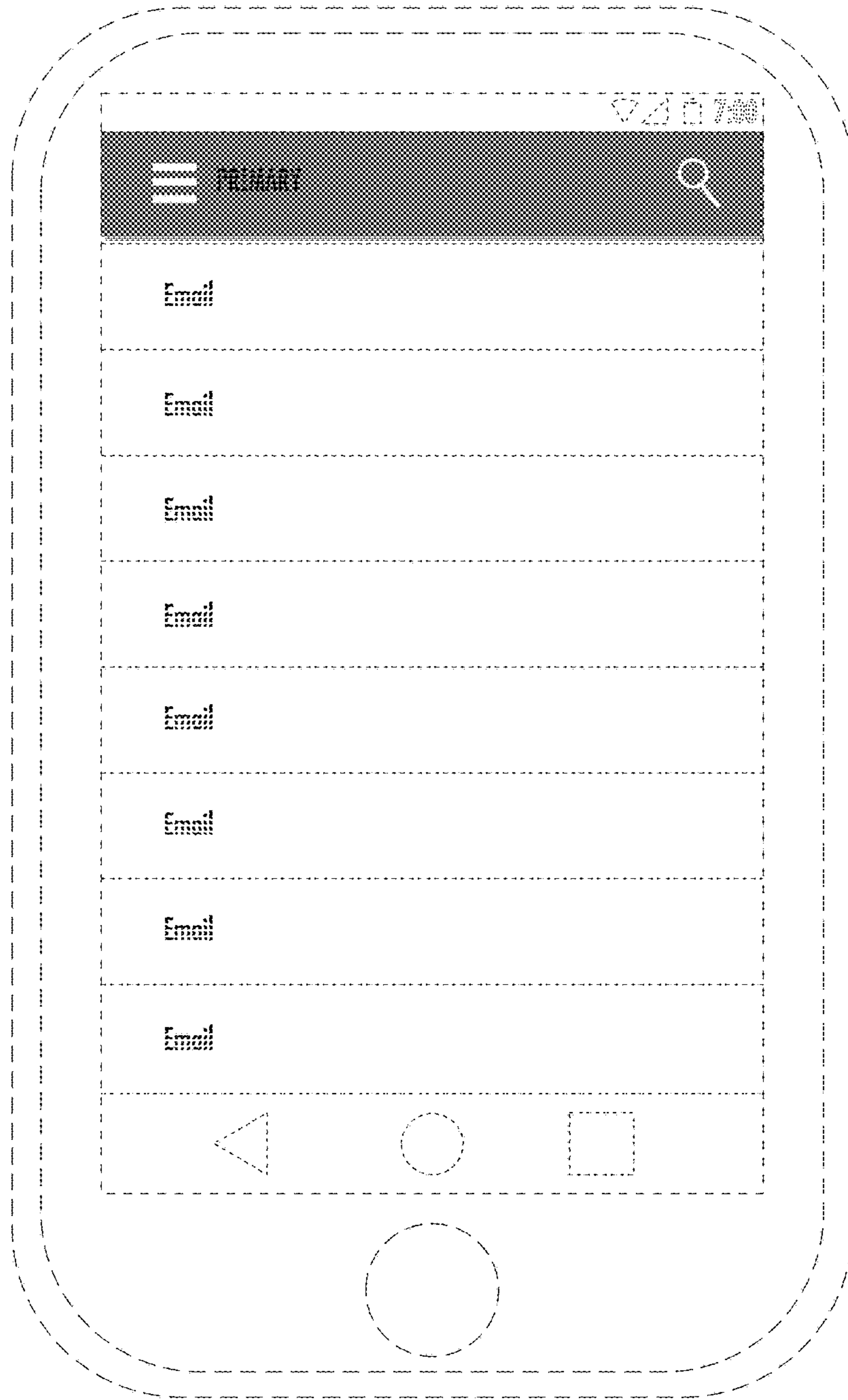


FIG. 6

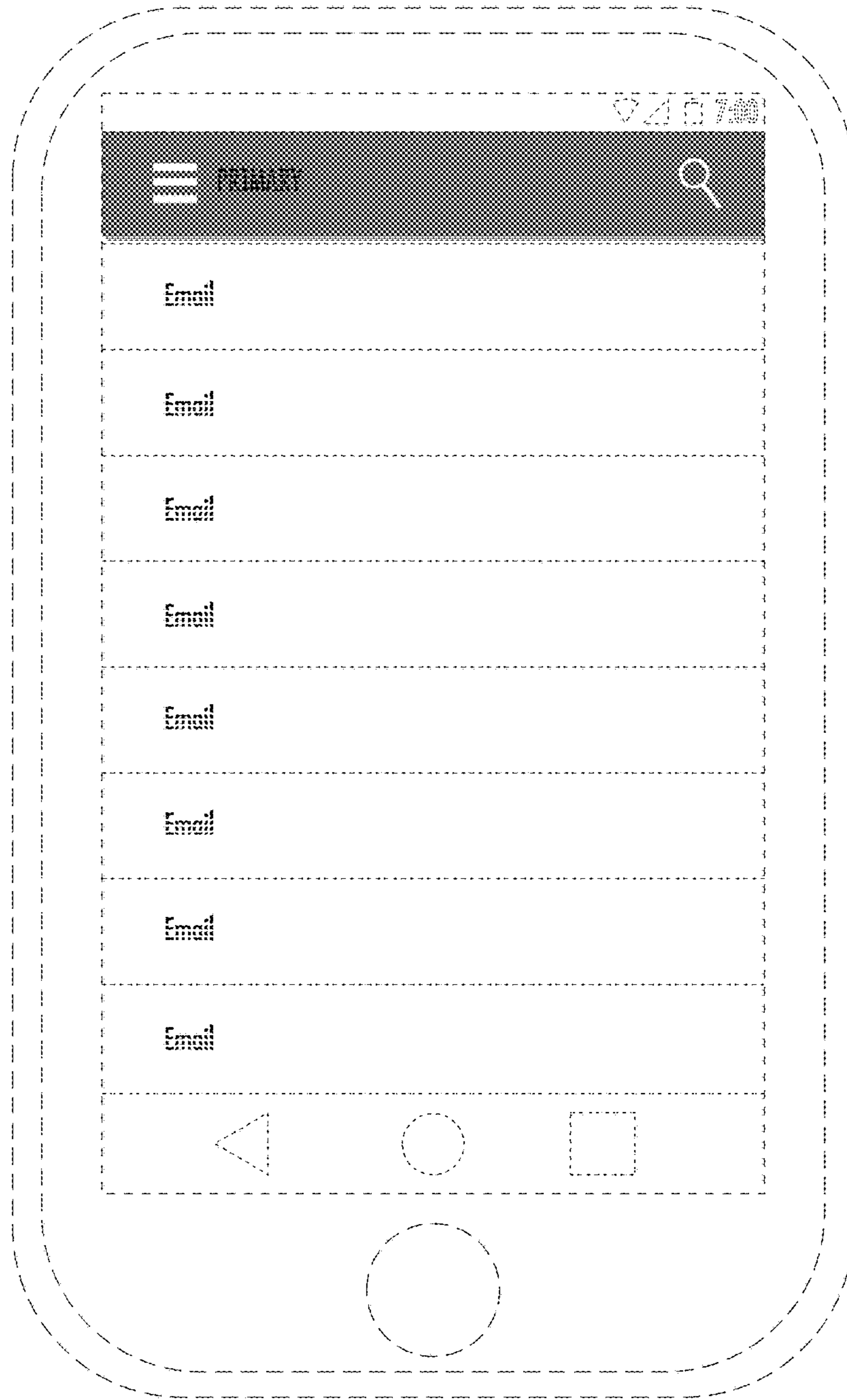


FIG. 7

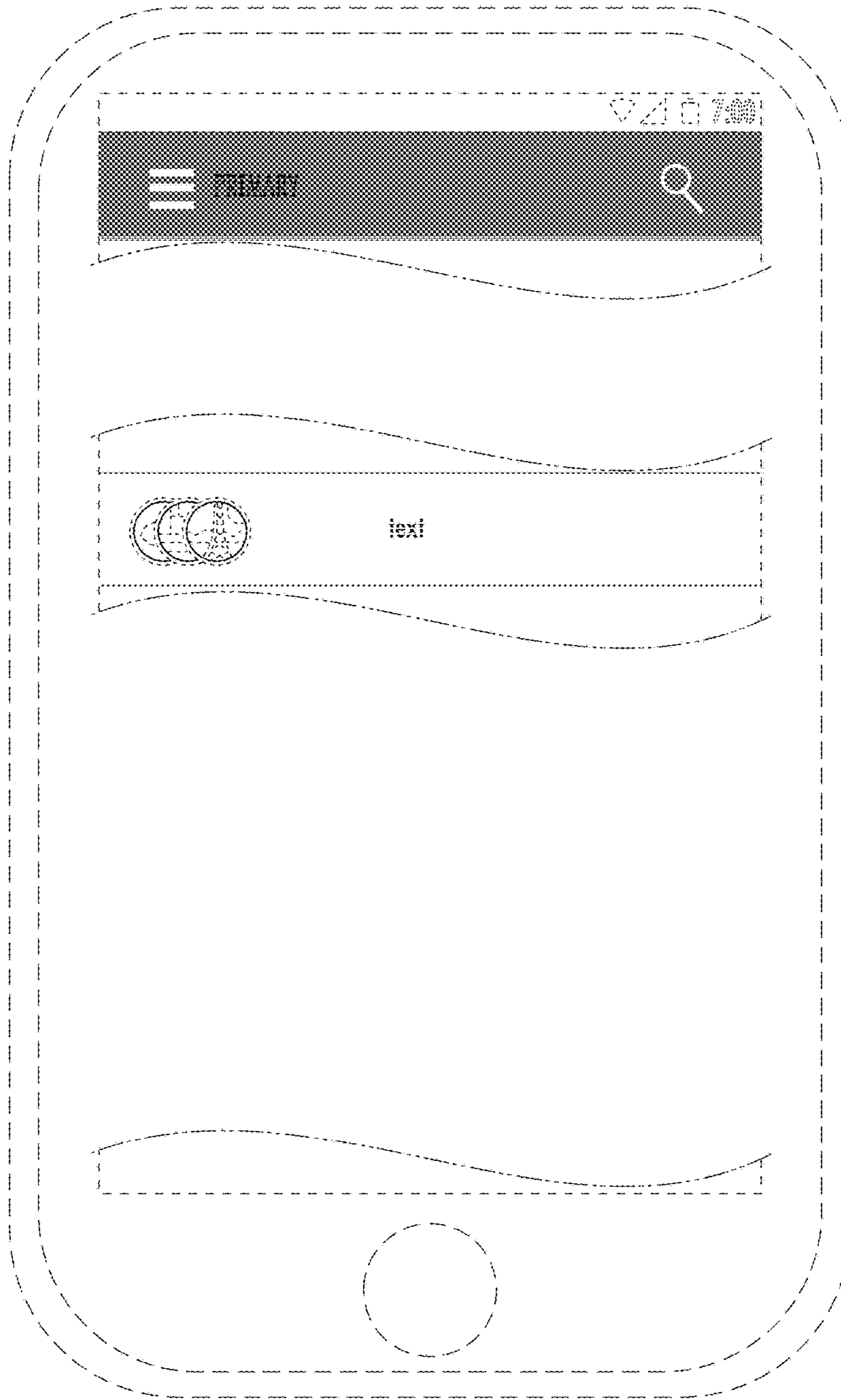


FIG. 8