



US00D845309S

(12) **United States Design Patent**
Goldstein

(10) **Patent No.:** **US D845,309 S**

(45) **Date of Patent:** **** Apr. 9, 2019**

(54) **HOLDER FOR ELECTRONICS DEVICES**

(71) Applicant: **Foto Electric Supply Co., Inc.**,
Brooklyn, NY (US)

(72) Inventor: **David Goldstein**, Englewood, NJ (US)

(73) Assignee: **Foto Electric Supply Co., Inc.**,
Brooklyn, NY (US)

(**) Term: **15 Years**

(21) Appl. No.: **29/636,954**

(22) Filed: **Feb. 13, 2018**

(51) **LOC (11) Cl.** **08-07**

(52) **U.S. Cl.**
USPC **D14/447**

(58) **Field of Classification Search**
USPC D14/447, 432, 434, 439, 440, 451, 452,
D14/457, 239, 251, 253; D8/363, 373,
D8/380; D6/406.3, 406.4, 406.5, 406.6;
D12/415

CPC A47B 21/04; A47B 2097/006; A47B
2097/005; A47B 2023/049; A45C
2011/002; A45C 2011/003; F16M
2200/00; F16M 13/00

See application file for complete search history.

(56) **References Cited**

U.S. PATENT DOCUMENTS

D654,054 S * 2/2012 Kohte F16M 11/041
D14/217
D674,397 S * 1/2013 Asher D14/447

D692,435 S * 10/2013 Bremenkamp D14/447
D718,612 S * 12/2014 McSweyn D8/363
D748,099 S * 1/2016 Heid D14/447
D748,935 S * 2/2016 Jiang D14/235
D750,612 S * 3/2016 Chen D14/253
D769,861 S * 10/2016 Sun D14/253
D772,739 S * 11/2016 Browning D10/74
D778,713 S * 2/2017 McSweyn D12/415
D784,997 S * 4/2017 Cheng D14/447
D833,369 S * 11/2018 Lan D12/415
2016/0381271 A1 * 12/2016 Cheng F16M 11/041
348/208.2

* cited by examiner

Primary Examiner — Angela J Lee

(74) *Attorney, Agent, or Firm* — Seyfarth Shaw LLP;
Brian Michaelis

(57) **CLAIM**

The ornamental design for a holder for electronic devices, as shown and described.

DESCRIPTION

FIG. 1 shows a perspective view of a holder for electronic devices;

FIG. 2 shows a front plan view thereof;

FIG. 3 shows a rear plan view thereof;

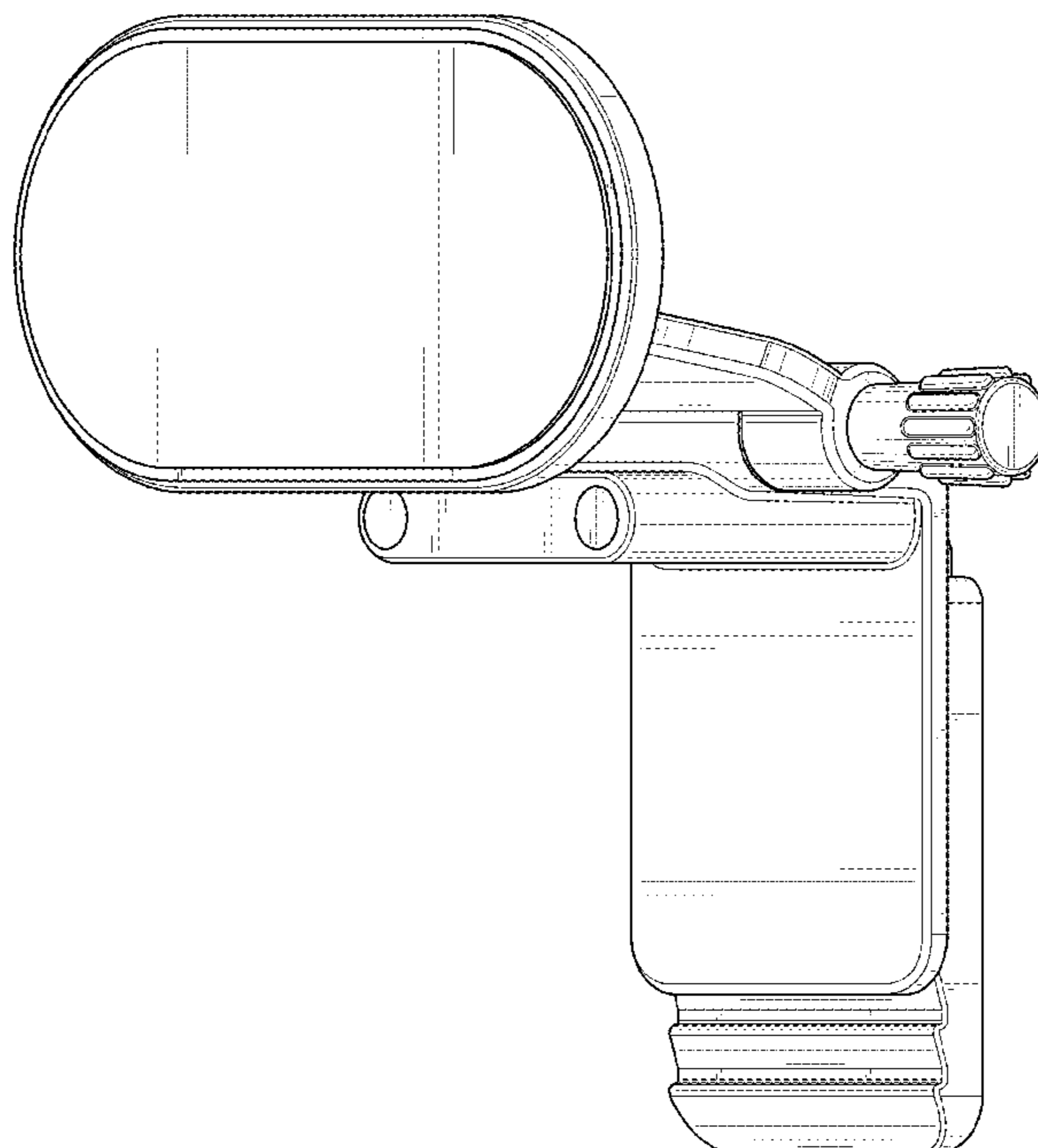
FIG. 4 shows a first side view thereof;

FIG. 5 shows a second side view thereof;

FIG. 6 shows a third side view thereof; and,

FIG. 7 shows a fourth side view thereof.

1 Claim, 7 Drawing Sheets



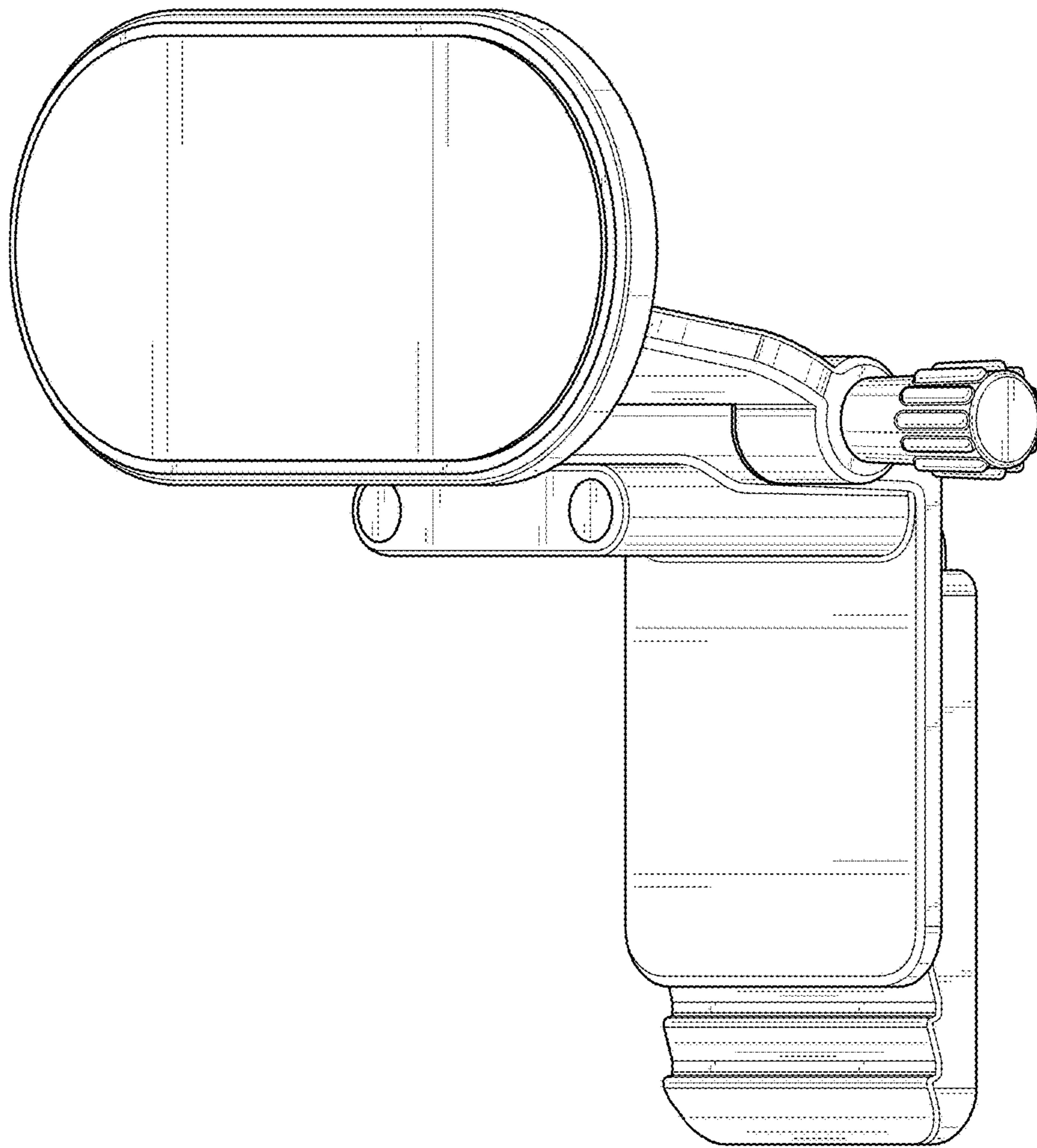


FIG. 1

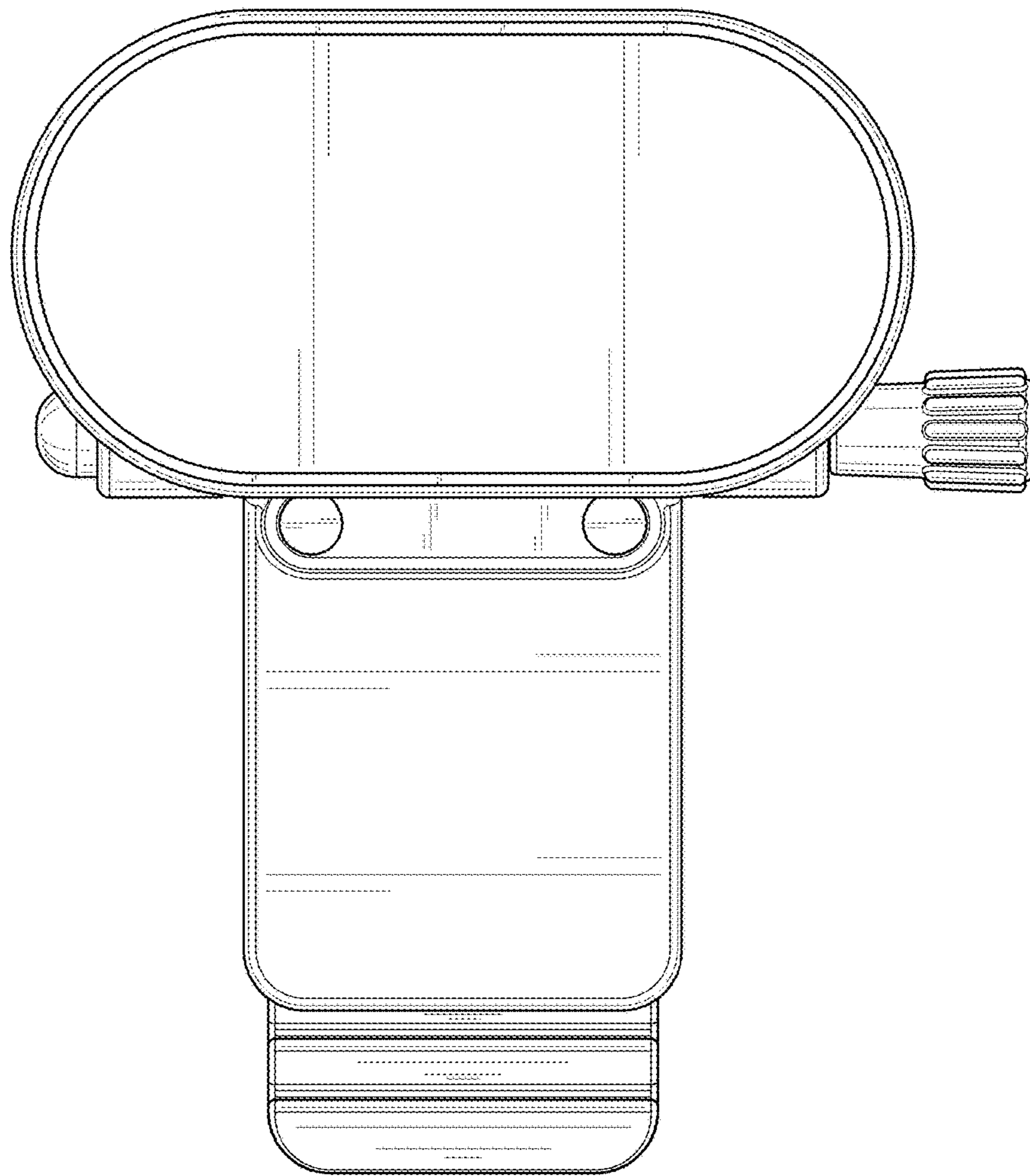


FIG. 2

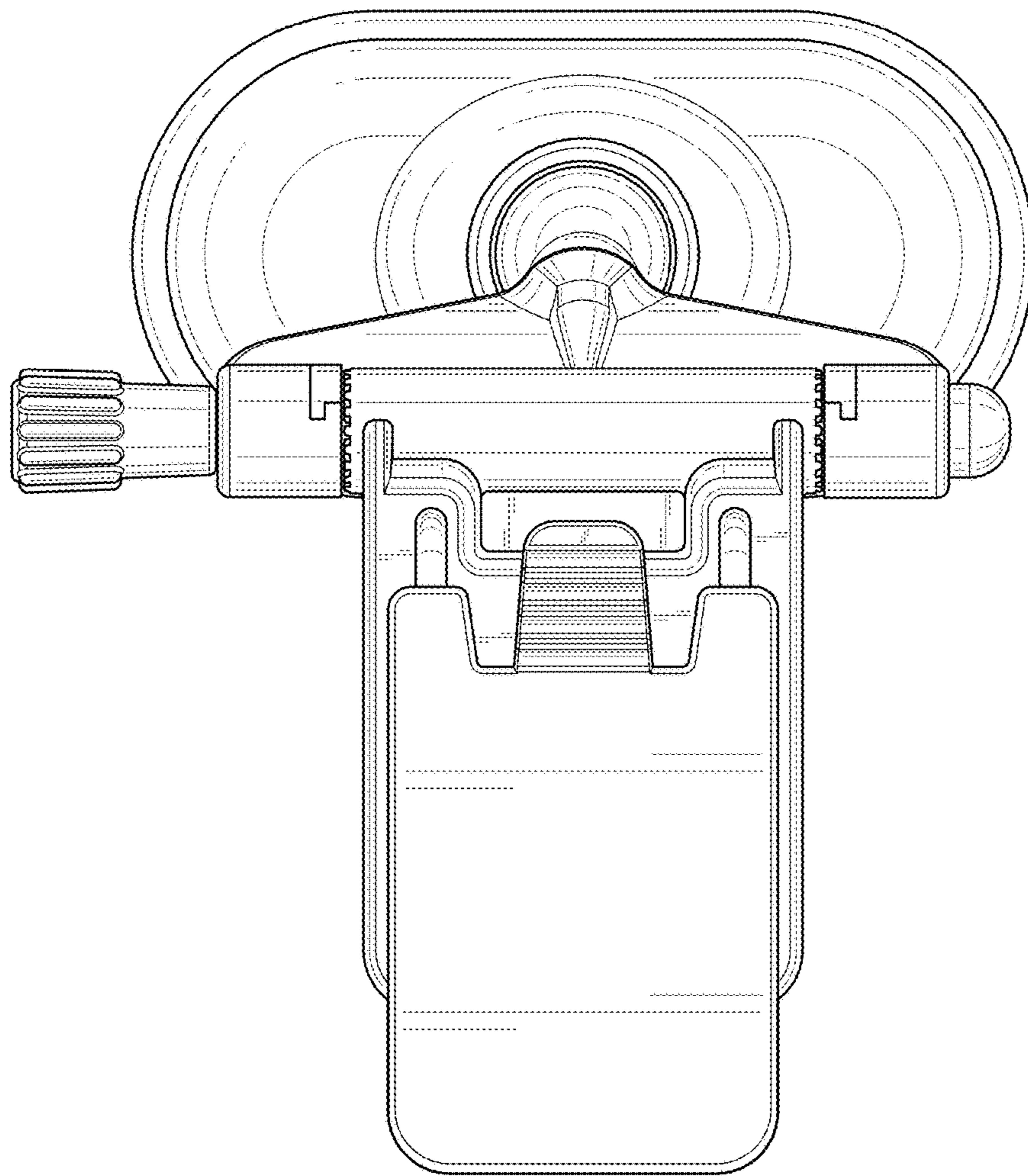


FIG. 3

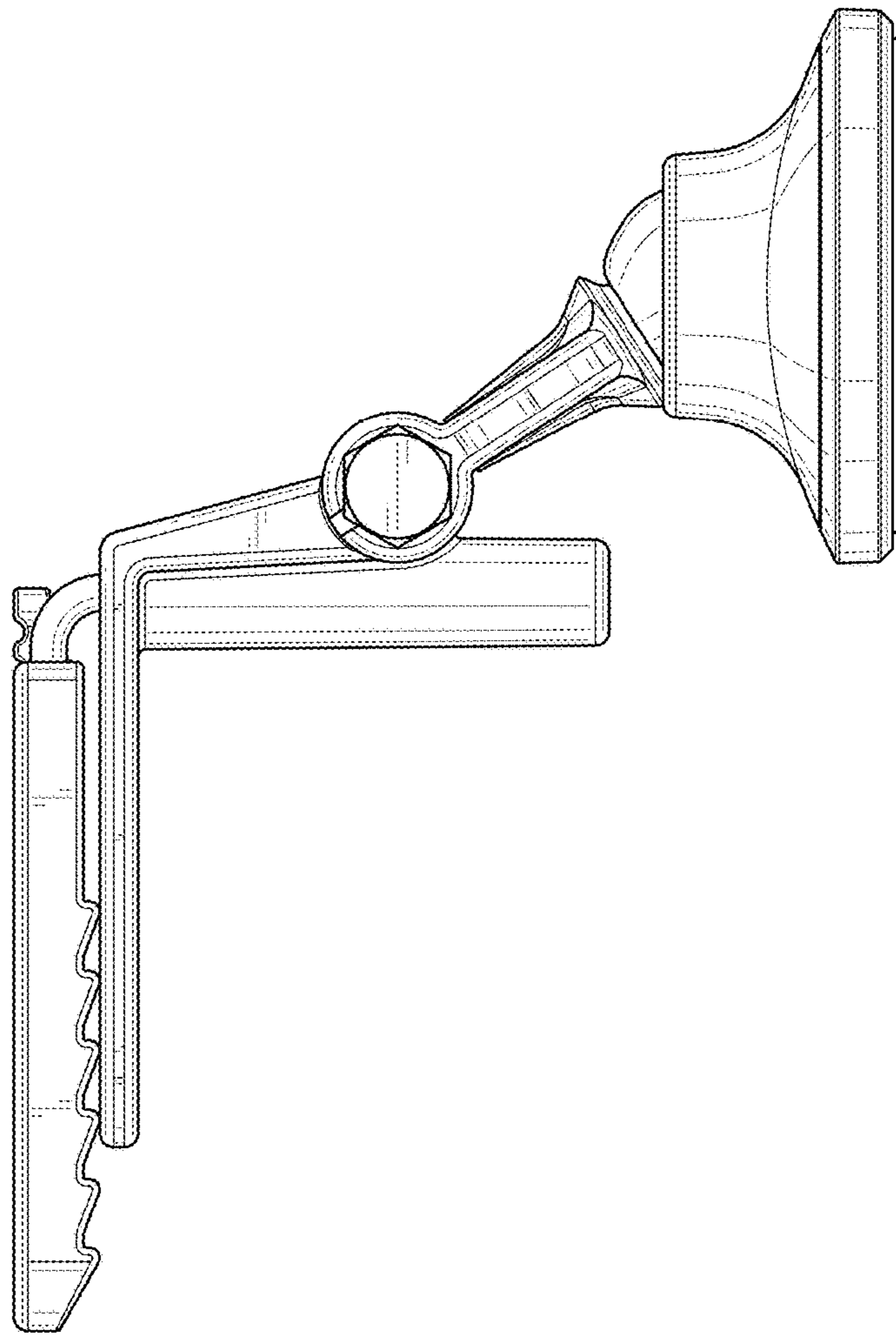


FIG. 4

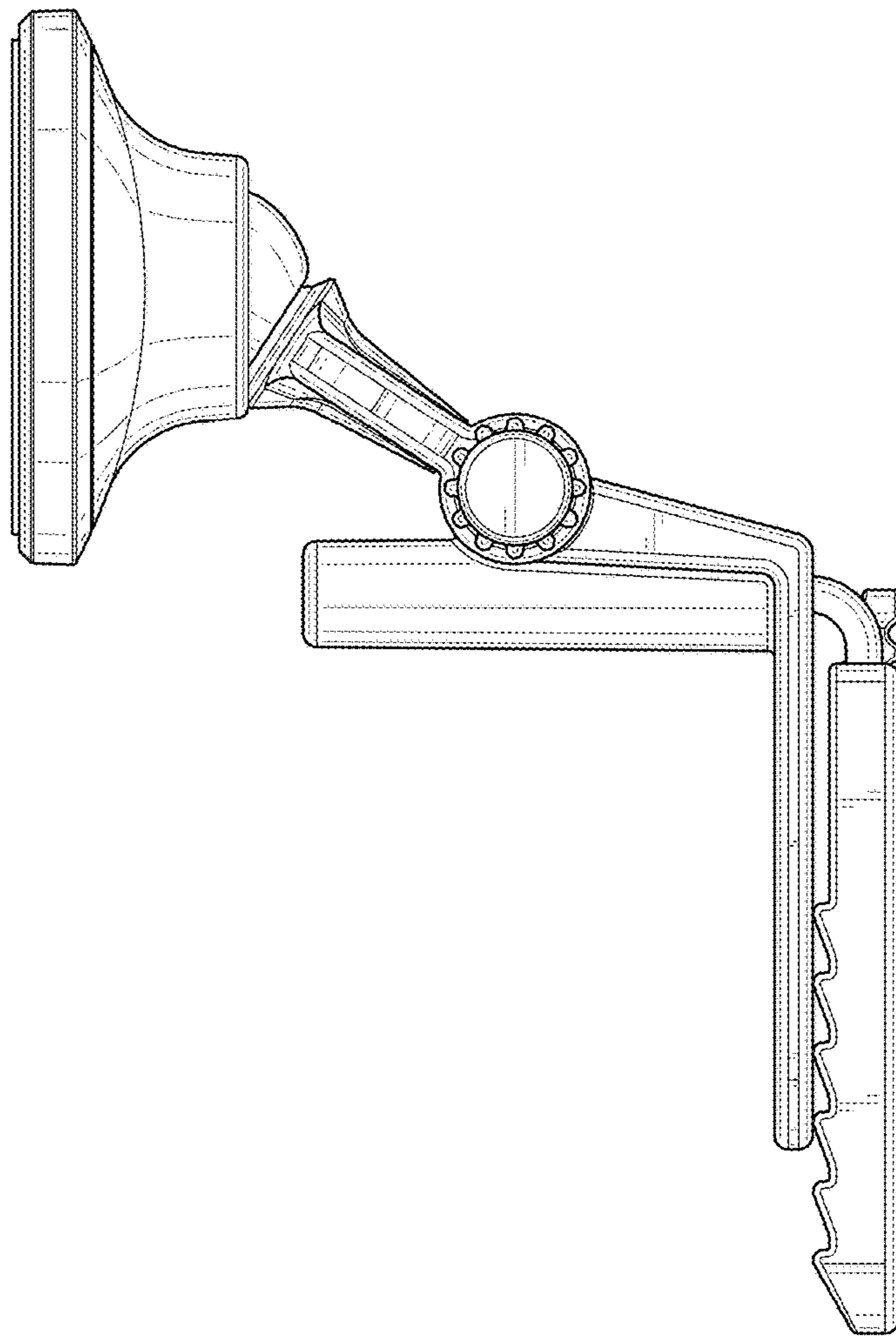


FIG. 5

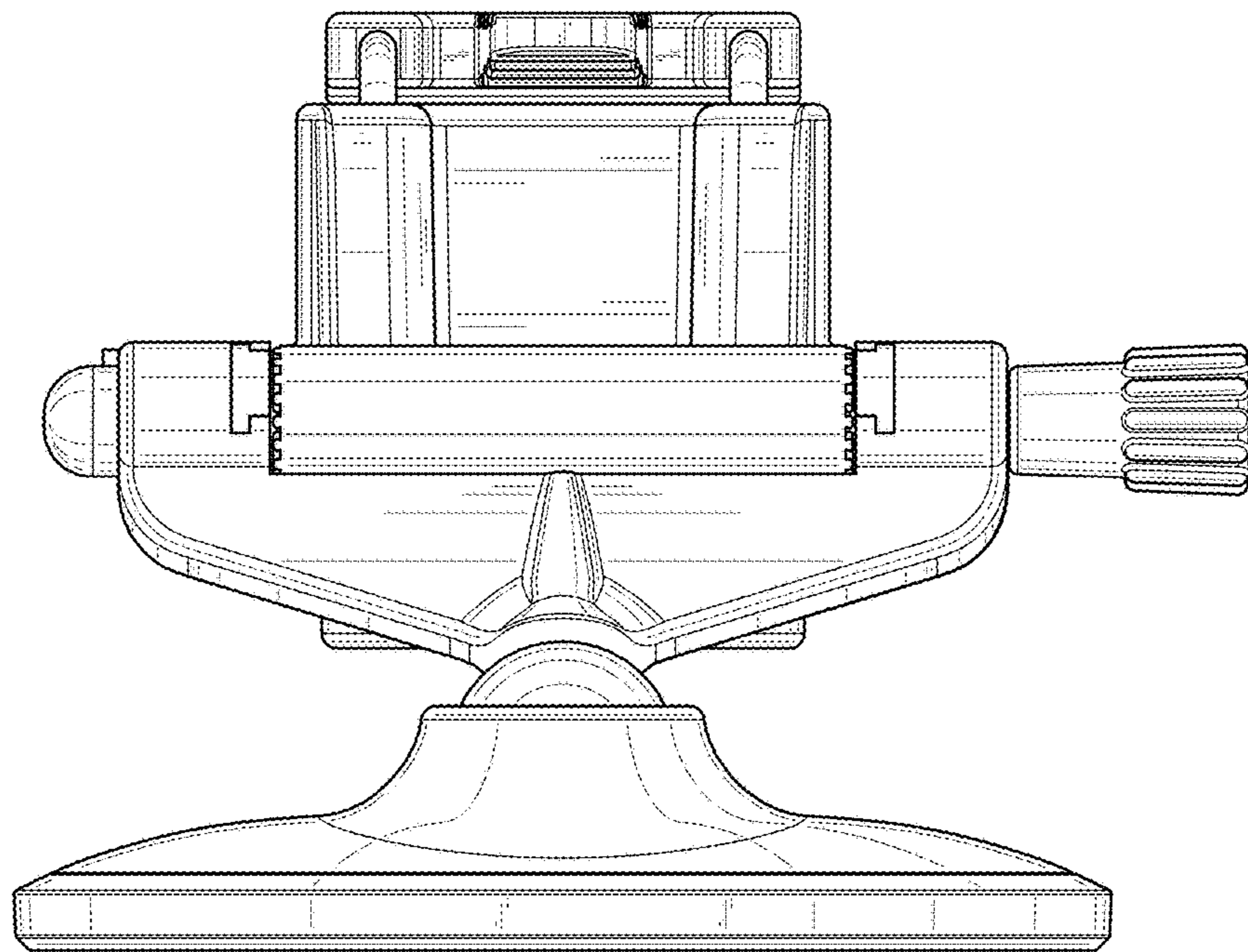


FIG. 6

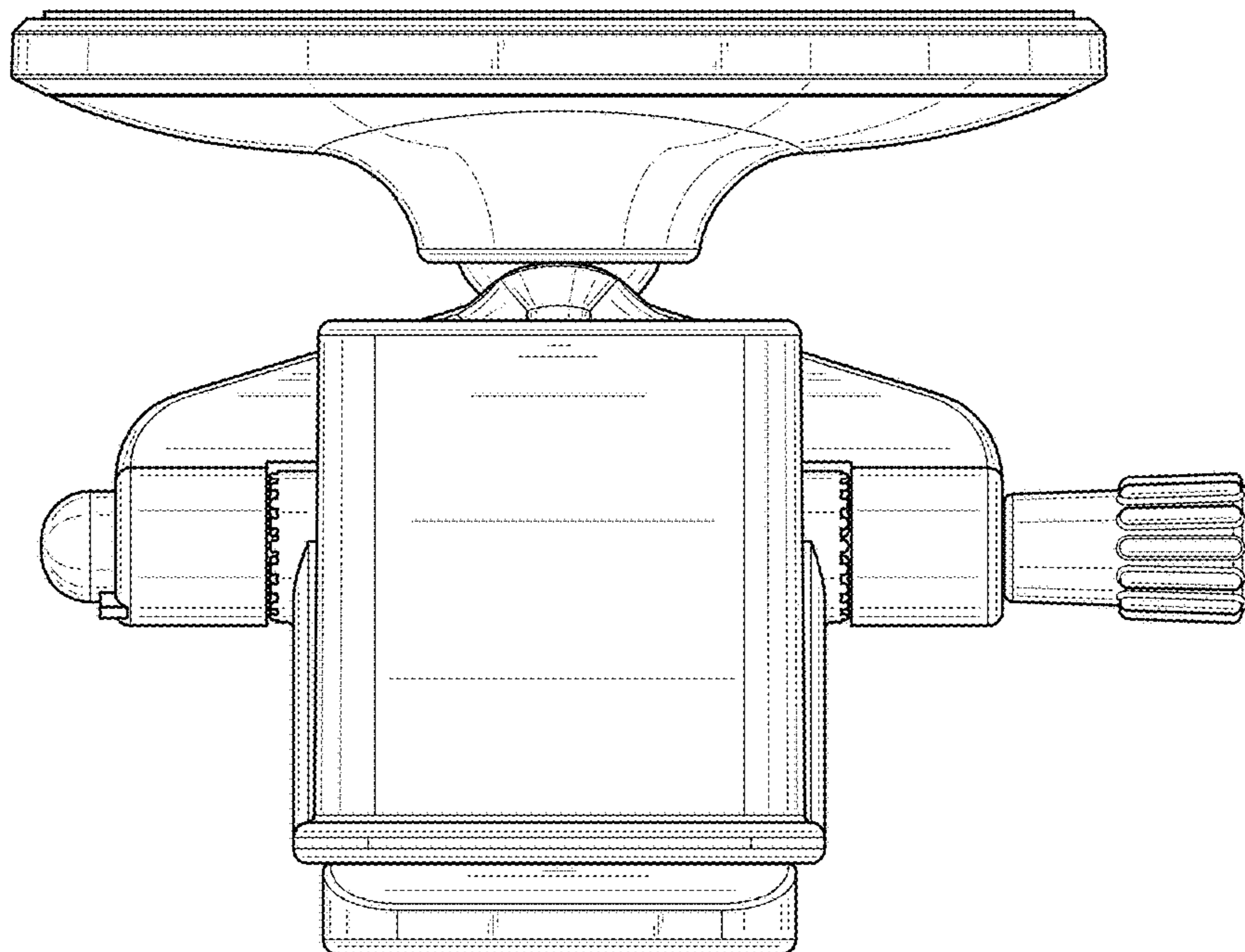


FIG. 7