



US00D845308S

(12) **United States Design Patent** (10) **Patent No.:** **US D845,308 S**
Ma (45) **Date of Patent:** **** Apr. 9, 2019**

(54) **UNIVERSAL STAND FOR ELECTRONIC DEVICE AND ELECTRONIC WEARABLE DEVICE**

(71) Applicant: **Rong Ma**, Guangzhou (CN)

(72) Inventor: **Rong Ma**, Guangzhou (CN)

(**) Term: **15 Years**

(21) Appl. No.: **29/635,011**

(22) Filed: **Jan. 26, 2018**

(51) **LOC (11) Cl.** **08-07**

(52) **U.S. Cl.**
 USPC **D14/447**

(58) **Field of Classification Search**
 USPC D14/447, 432, 434, 439, 440, 451, 452,
 D14/457, 239, 251, 253; D8/363, 373,
 D8/380; D6/406.3, 406.4, 406.5, 406.6;
 D12/415

CPC A47B 21/04; A47B 2097/006; A47B
 2097/005; A47B 2023/049; A45C
 2011/002; A45C 2011/003; F16M
 2200/00; F16M 13/00
 See application file for complete search history.

(56) **References Cited**

U.S. PATENT DOCUMENTS

D712,905 S * 9/2014 Miyazaki D14/447
 D713,399 S * 9/2014 Green D14/253
 D714,281 S * 9/2014 Reznik D14/251

D748,935 S * 2/2016 Jiang D14/235
 D788,699 S * 6/2017 Hoehn D13/107
 D799,463 S * 10/2017 Deng D14/252
 D800,733 S * 10/2017 Burns D14/447
 D804,488 S * 12/2017 Burns D14/447
 D813,805 S * 3/2018 Zhong D13/108
 D814,413 S * 4/2018 Zhong D13/108
 D825,575 S * 8/2018 Gao D14/447
 D826,851 S * 8/2018 Wang D13/108
 2016/0261139 A1 * 9/2016 Kidakarn H02J 7/025

* cited by examiner

Primary Examiner — Angela J Lee

(74) *Attorney, Agent, or Firm* — Novoclaims Patent Services LLC; Mei Lin Wong

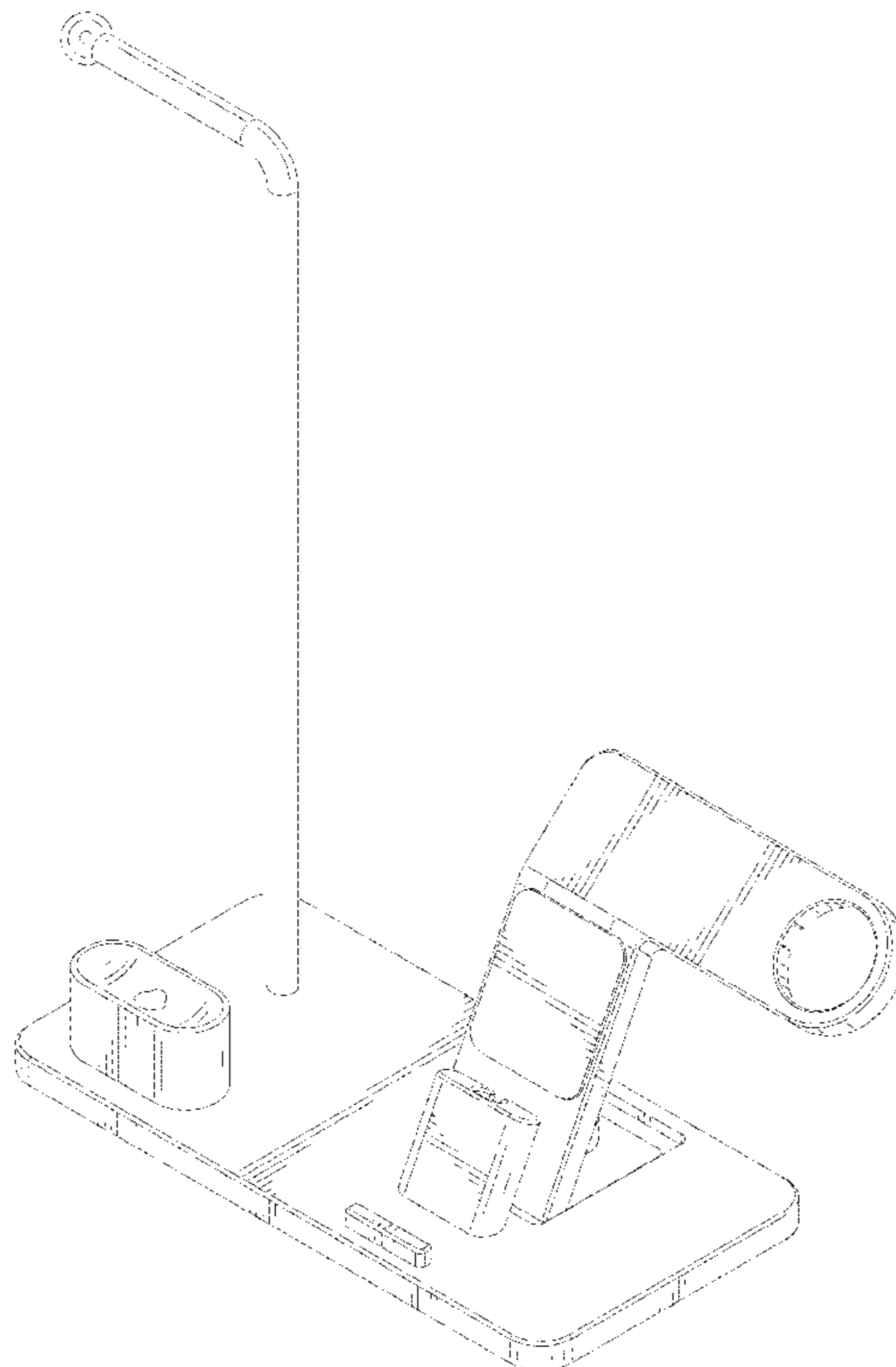
(57) **CLAIM**

The ornamental design for a universal stand for electronic device and electronic wearable device, as shown and described.

DESCRIPTION

FIG. 1 is a front perspective view of a universal stand for electronic device and electronic wearable device showing my new design;
 FIG. 2 is a rear perspective view thereof;
 FIG. 3 is a bottom perspective view thereof;
 FIG. 4 is a front view thereof;
 FIG. 5 is a rear view thereof;
 FIG. 6 is a left side view thereof;
 FIG. 7 is a right side view thereof;
 FIG. 8 is a top view thereof; and,
 FIG. 9 is a bottom view thereof.

1 Claim, 9 Drawing Sheets



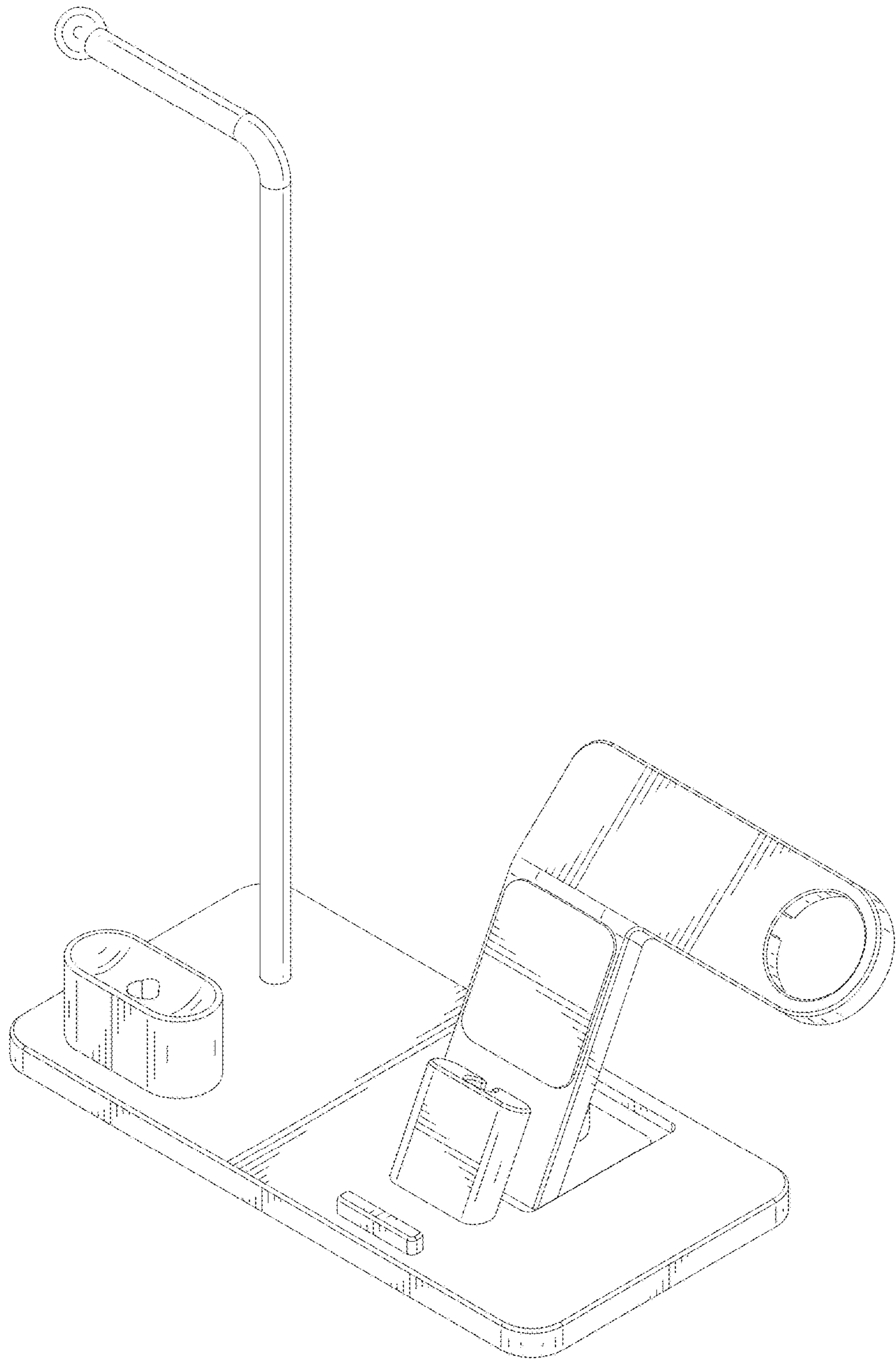


FIG.1

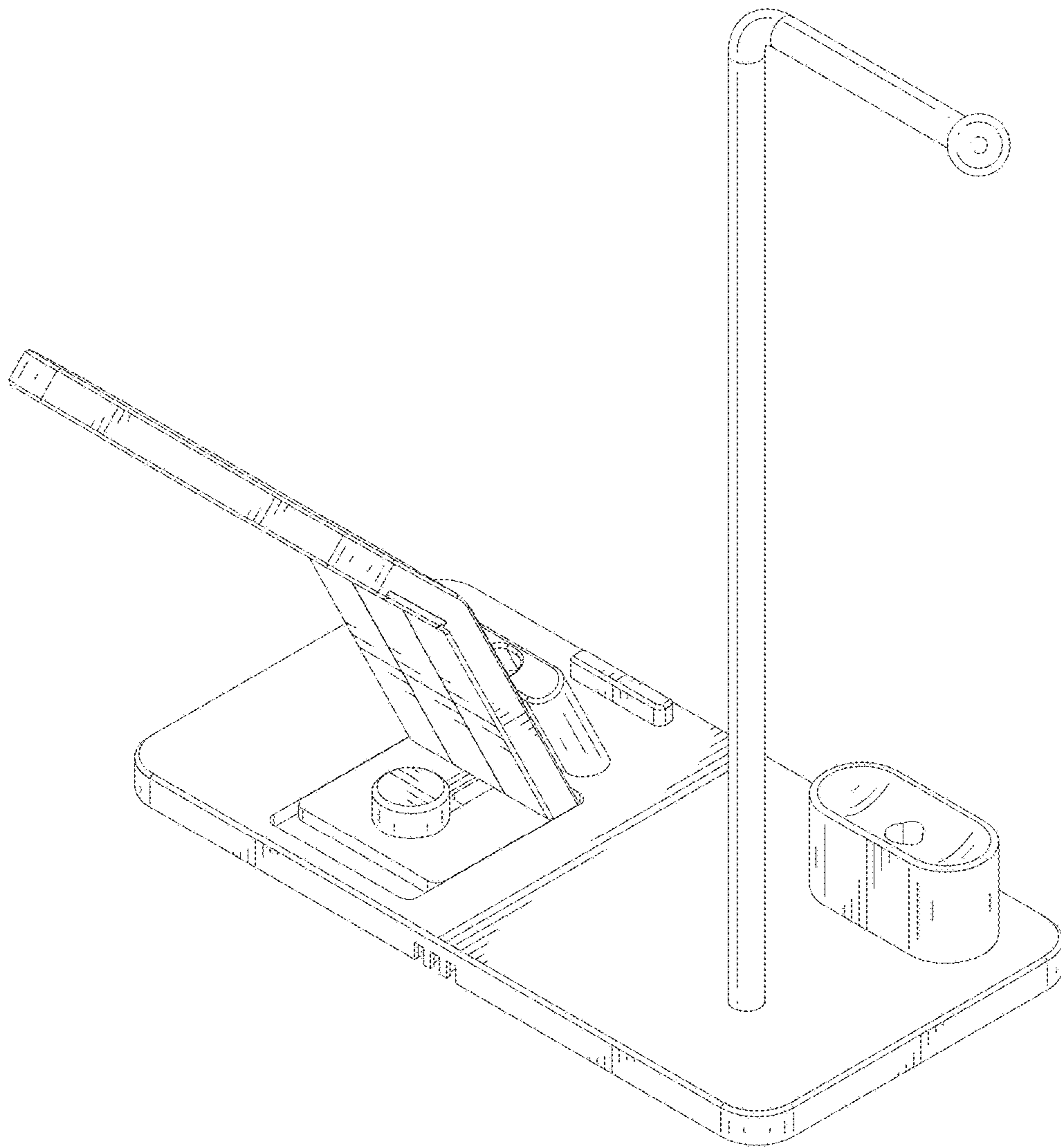


FIG. 2

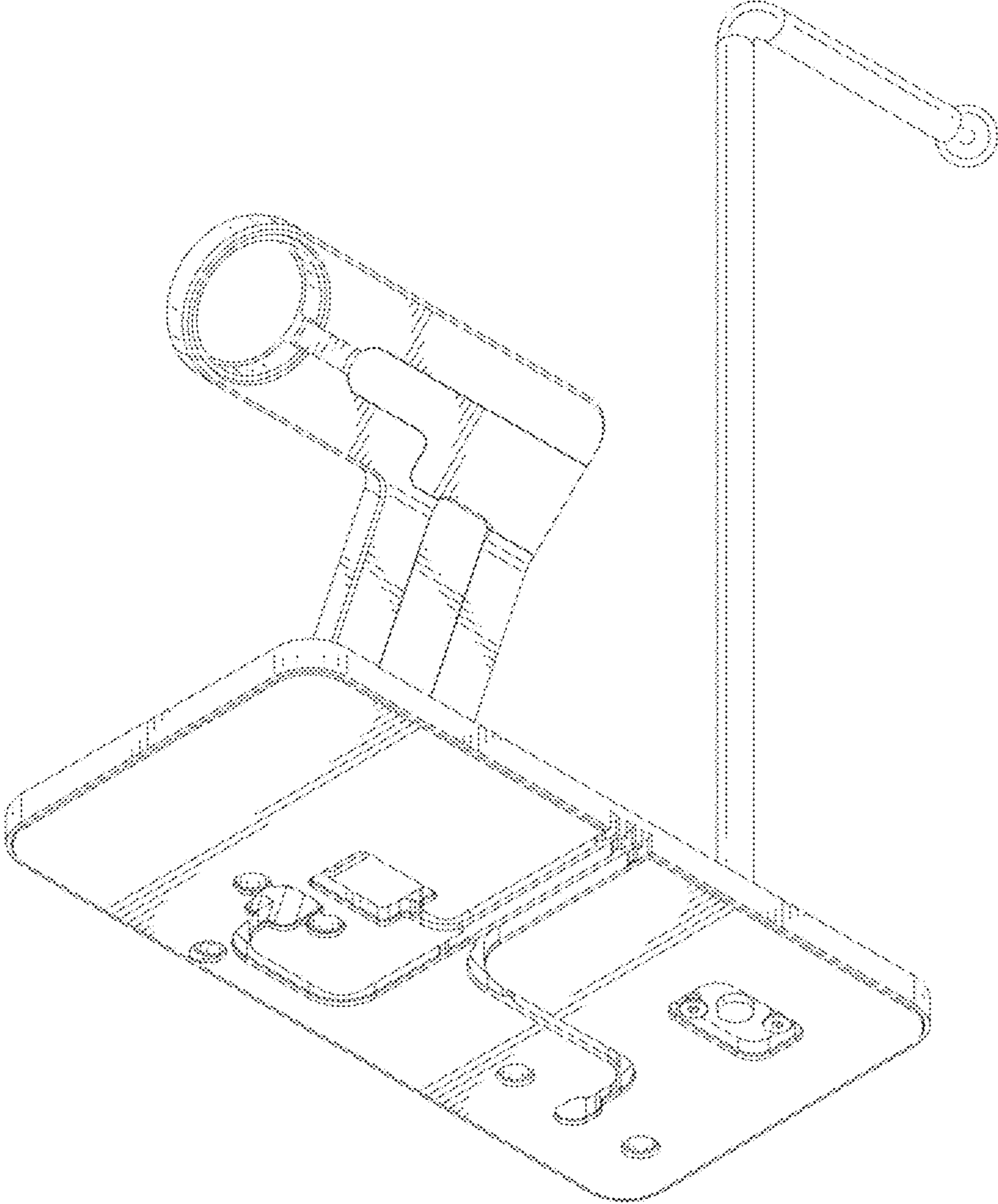


FIG.3

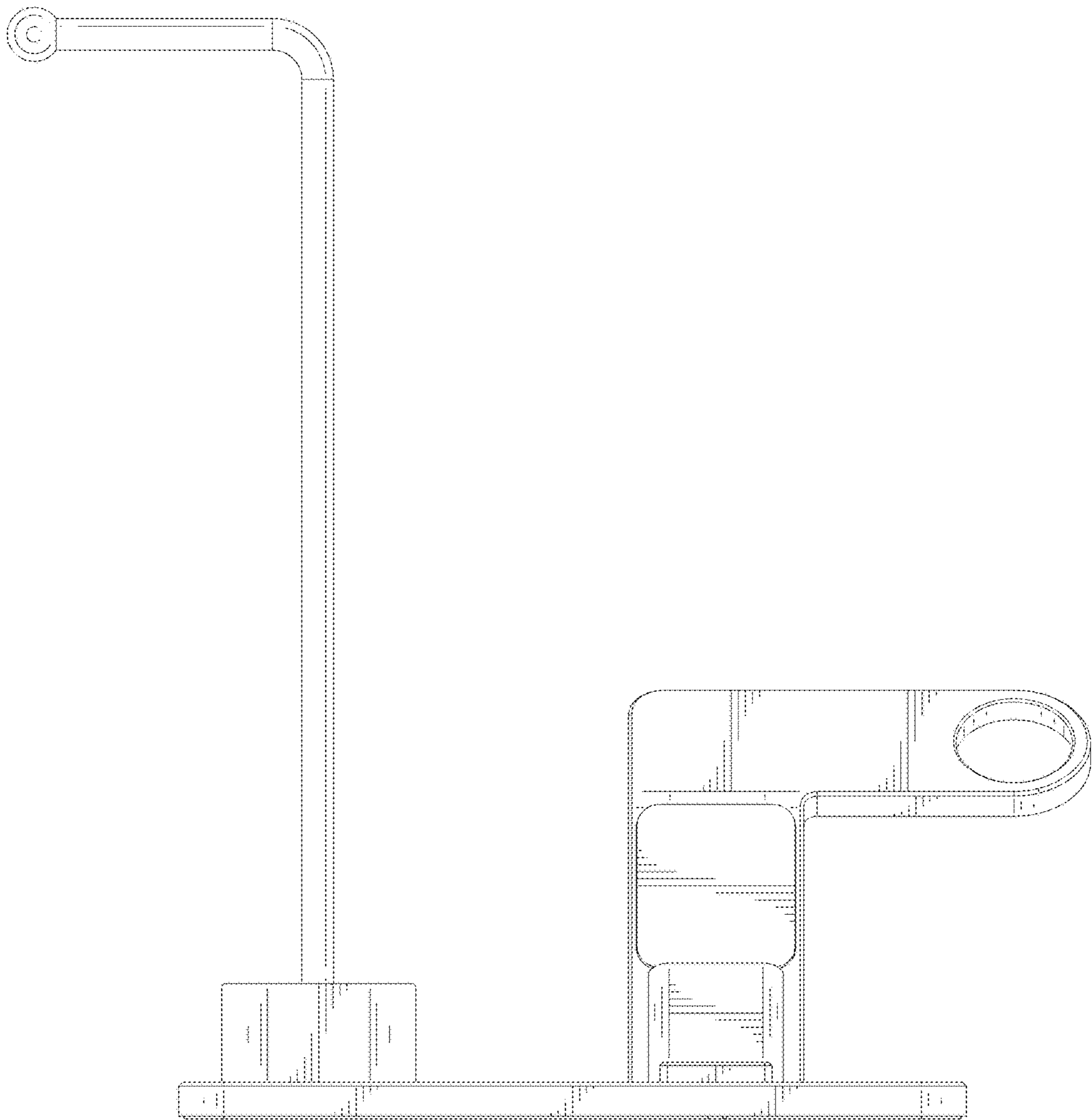


FIG.4

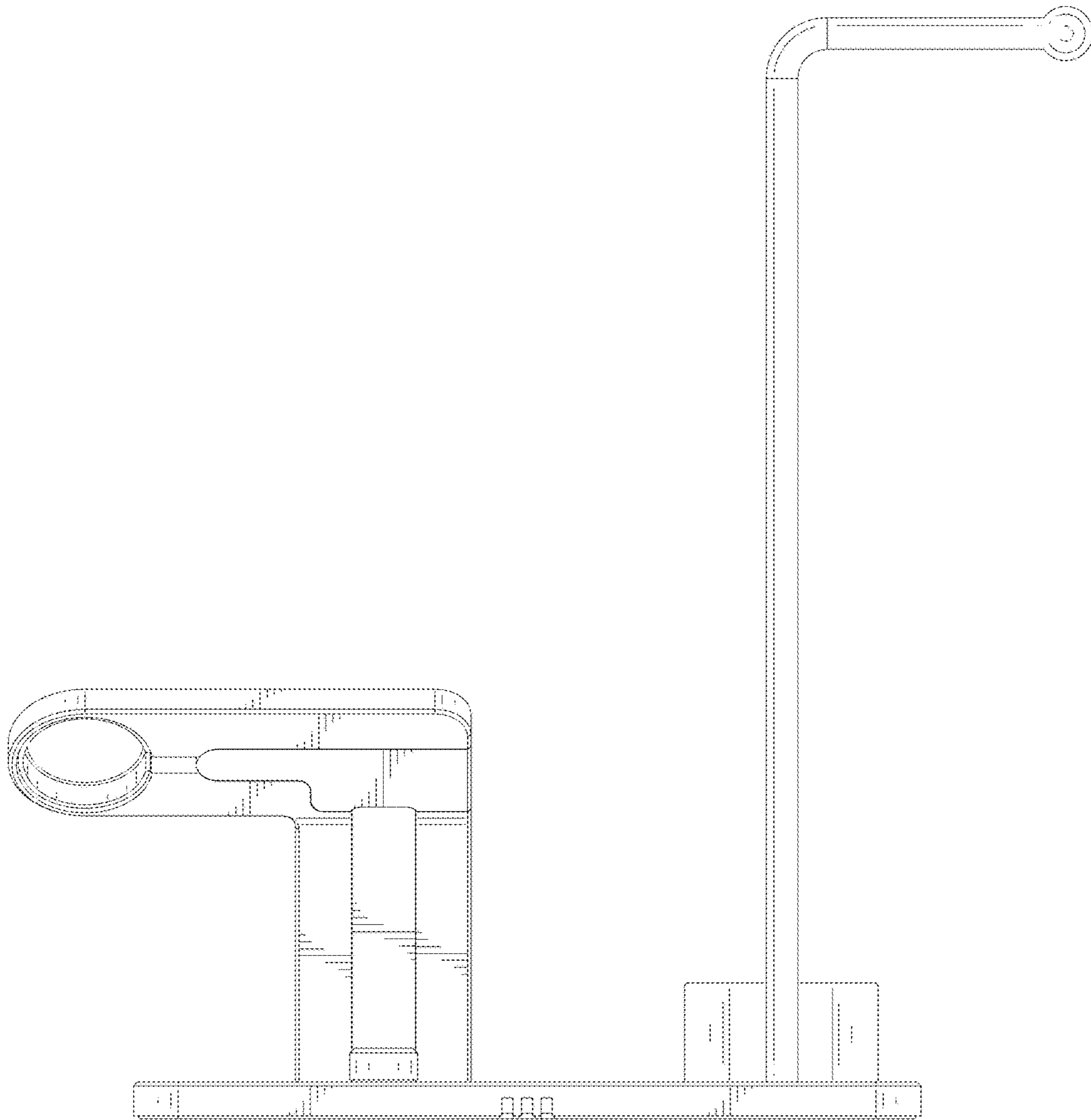


FIG. 5

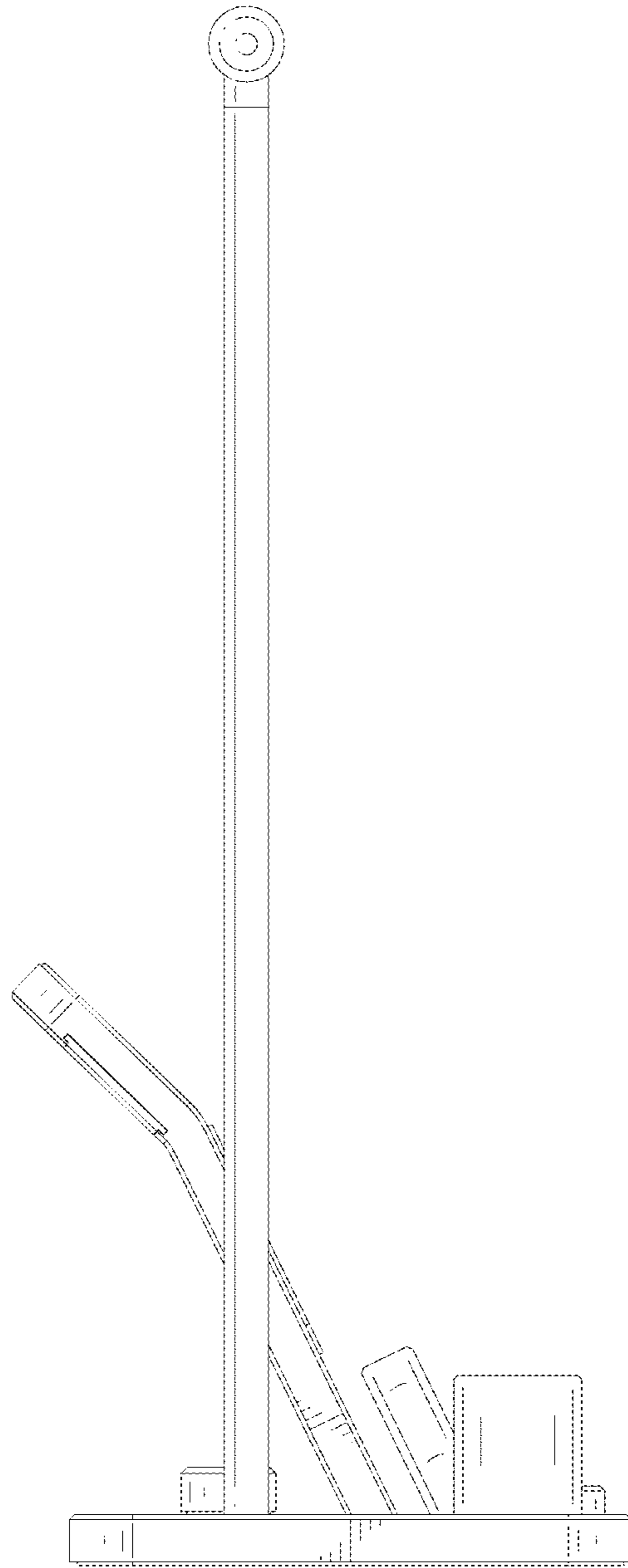


FIG. 6

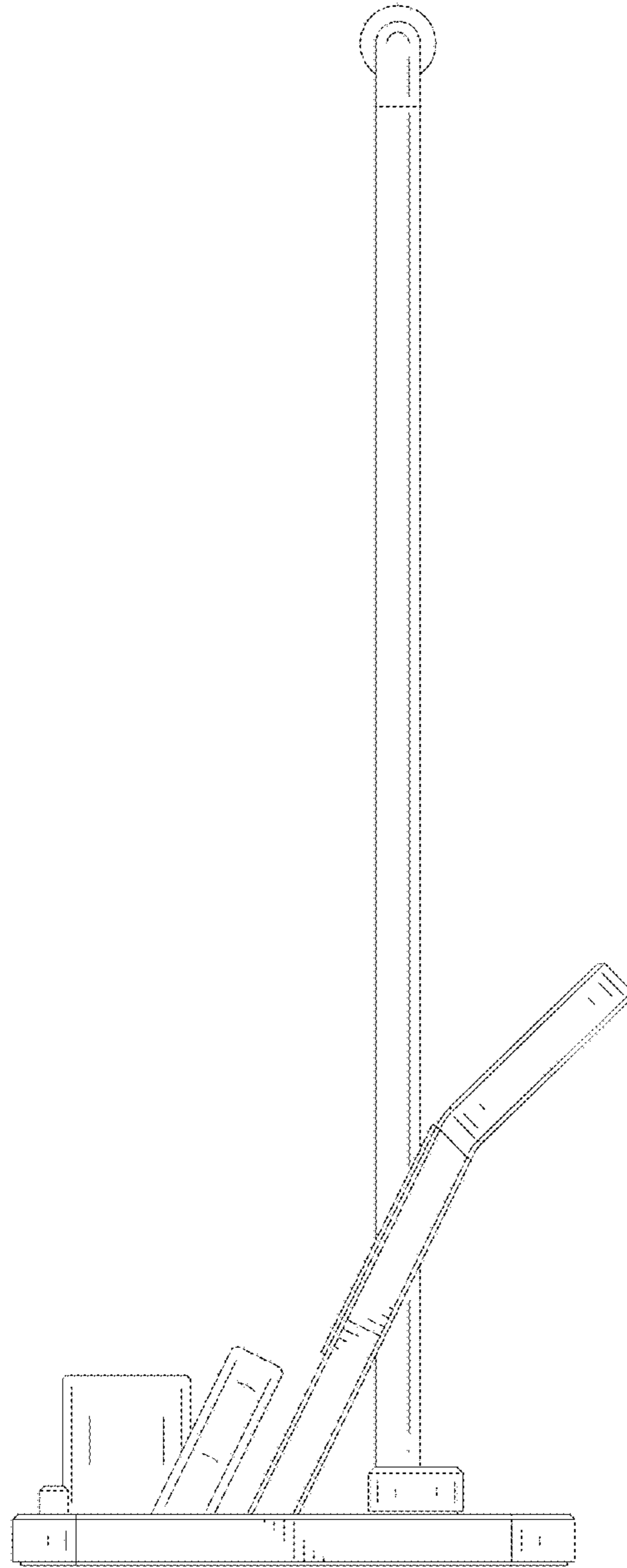


FIG. 7

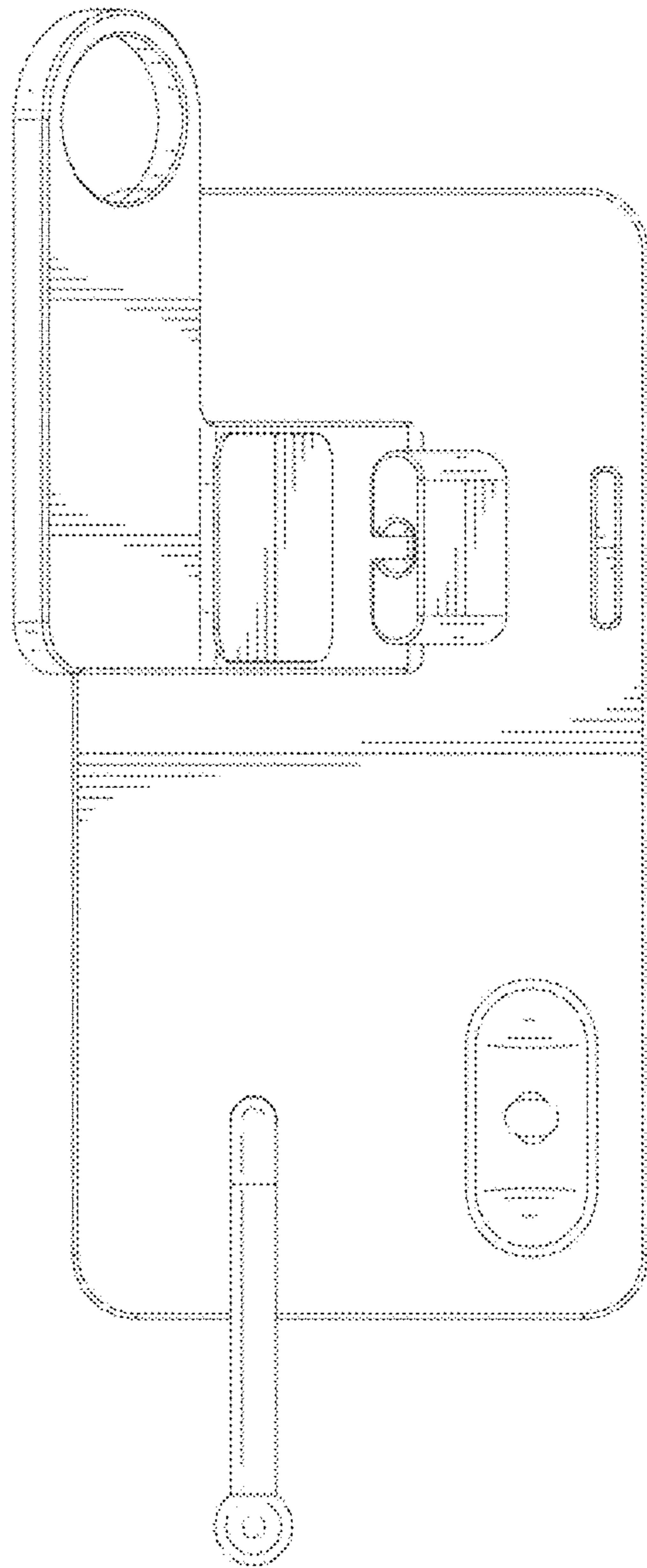


FIG. 8

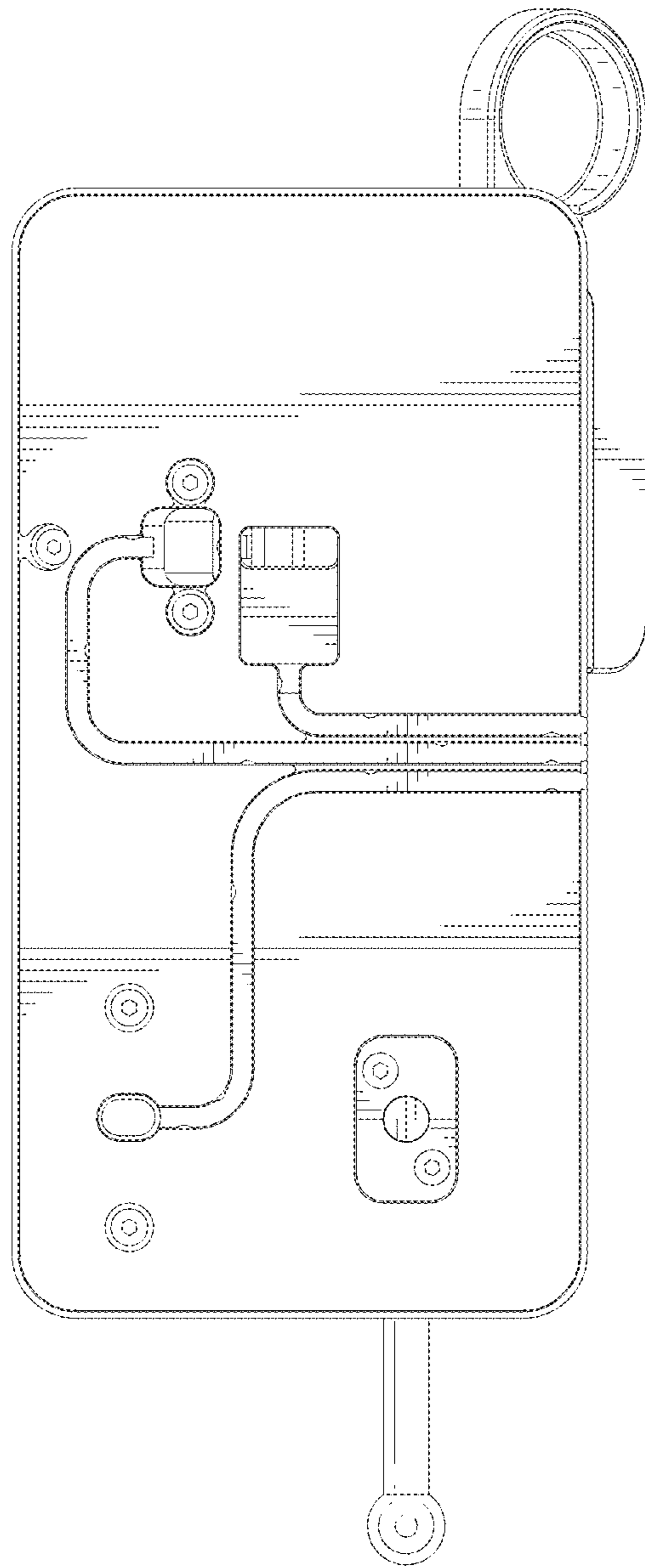


FIG.9