



US00D845307S

(12) **United States Design Patent**
Hallar et al.

(10) **Patent No.:** **US D845,307 S**

(45) **Date of Patent:** **** Apr. 9, 2019**

(54) **INFORMATION HANDLING SYSTEM STAND**

(71) Applicant: **Dell Products L.P.**, Round Rock, TX (US)

(72) Inventors: **James H. Hallar**, Austin, TX (US);
Paul J. Doczy, Austin, TX (US);
Lawrence A. Stone, Austin, TX (US)

(73) Assignee: **Dell Products L.P.**, Round Rock, TX (US)

(**) Term: **15 Years**

(21) Appl. No.: **29/622,433**

(22) Filed: **Oct. 17, 2017**

(51) **LOC (11) Cl.** **14-02**

(52) **U.S. Cl.**
USPC **D14/447**

(58) **Field of Classification Search**
USPC D14/371–382, 125–129, 335–337,
D14/447–452, 492, 239, 457, 439–441,
D14/432, 251–253; D8/349, 354, 363,
D8/373, 376, 380; 348/180, 184, 325,
348/739, 825; D12/407, 415; D3/218;
341/12
CPC G06F 3/0412; G06F 3/016; G06F 3/0488;
G06F 3/011; G06F 3/038; G06F 3/03543;
G06F 3/0338; G06F 3/0202; G06F
3/0219; G06F 3/0213; G06F 1/1616;
G06F 3/023; G06F 3/04883; G02F
1/13338; G02F

(Continued)

(56) **References Cited**

U.S. PATENT DOCUMENTS

5,445,279 A * 8/1995 Warner B62B 3/022
211/195
D513,008 S * 12/2005 Takizawa D14/447

(Continued)

OTHER PUBLICATIONS

WACOM, Cintiq 27QHD Ergo Stand, <https://us-store.wacom.com/Product/Cintiq-27QHD-Ergo-Stand-S02#/undefined1>, printed Oct. 18, 2017.

(Continued)

Primary Examiner — Katie Jane Stofko

(74) *Attorney, Agent, or Firm* — Zagorin Cave LLP;
Robert W. Holland

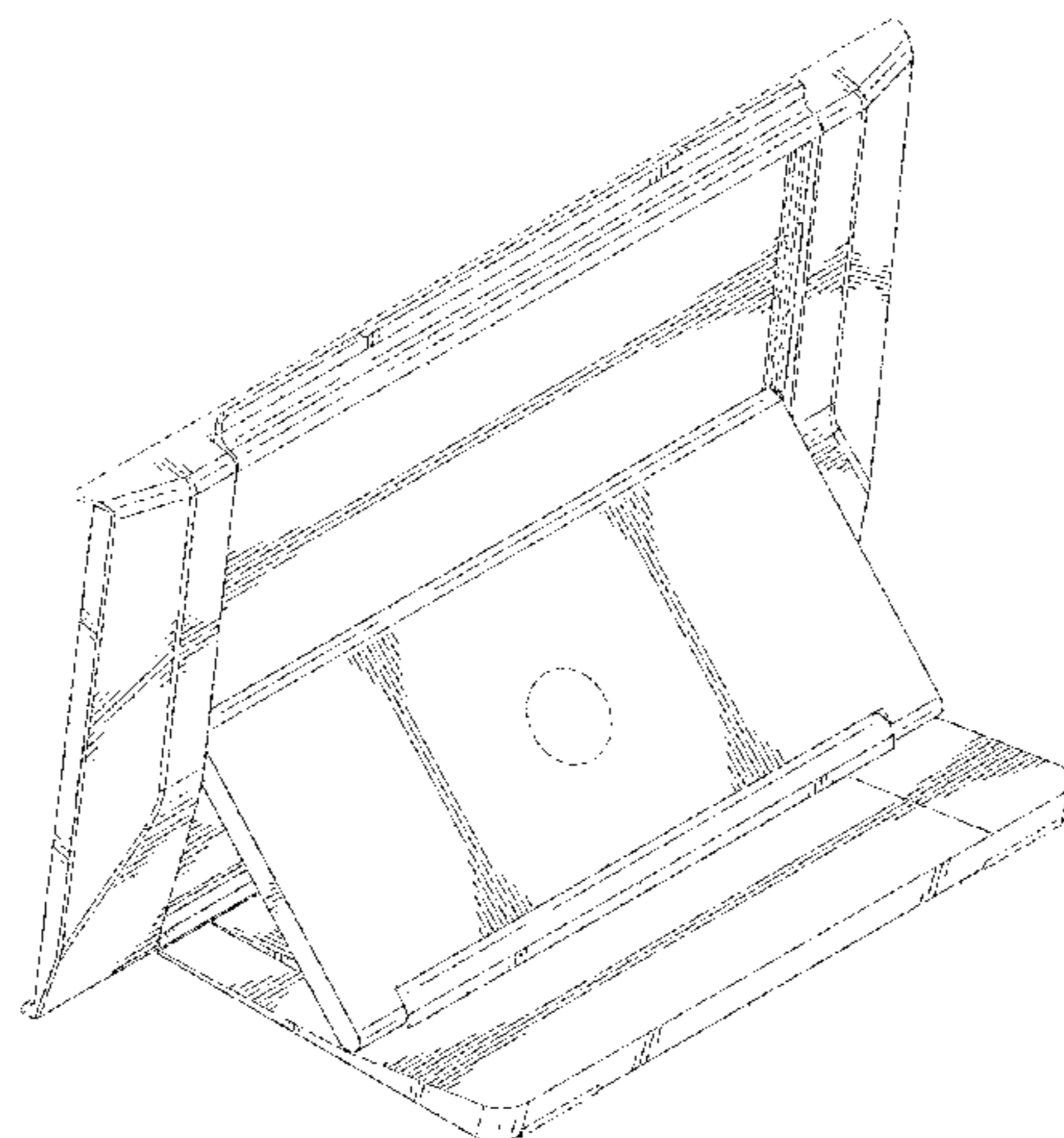
(57) **CLAIM**

We claim the ornamental design for an information handling system stand, as shown and described.

DESCRIPTION

FIG. 1 is a front perspective view of an information handling system stand comprising the present invention;
FIG. 2 is a front elevation view thereof;
FIG. 3 is a rear elevation view thereof;
FIG. 4 is a right side elevation view thereof;
FIG. 5 is a left side elevation view thereof;
FIG. 6 is a top view thereof;
FIG. 7 is a bottom view thereof;
FIG. 8 is a rear perspective view thereof;
FIG. 9 is a front perspective view thereof, shown in an environment of use;
FIG. 10 is a right side elevation view thereof, shown in an upright position;
FIG. 11 is an alternate position side view thereof;
FIG. 12 is another alternate position side view thereof; and,
FIG. 13 is a perspective view thereof shown in an alternate position in an environment of use.
The broken lines illustrating the monitor and cables in FIGS. 9 and 13 illustrate environment that form no part of the claimed design, while the remaining broken lines in the drawings illustrate portions of the information handling system stand that form no part of the claimed design.

1 Claim, 11 Drawing Sheets



(58) **Field of Classification Search**

CPC 1/1313; G02F 1/1333; G02F 1/135; G02F 1/132; G02F 1/133308; G02F 1/134309; G02F 1/13718; G09G 3/3648; G06K 15/1252; B41J 2/465; G03F 7/70291; G02B 27/0172; G02B 5/30; G02B 2027/0118; G02B 27/0101; F16M 13/02; F16M 13/00; F16M 11/10; F16M 11/04; F16M 2200/08; F16M 11/2021; A47B 21/0314; A47B 88/044; A47B 2021/0335; H02G 3/126; F16B 47/00; F16B 47/006; A47G 1/17; A47K 2201/00

See application file for complete search history.

(56)

References Cited

U.S. PATENT DOCUMENTS

D639,816 S * 6/2011 Bau D14/447
D670,703 S * 11/2012 Hasbrook D14/447

D676,055 S * 2/2013 Izen D14/447
D689,501 S * 9/2013 Fong D14/447
D690,305 S * 9/2013 Wen D14/440
D705,785 S * 5/2014 Wang D14/447
D804,490 S * 12/2017 Wei D14/447
D833,447 S * 11/2018 Zhang D14/447
2008/0192424 A1* 8/2008 Lee F16M 11/10
361/679.03
2010/0294909 A1* 11/2010 Hauser A47B 23/043
248/456
2012/0235008 A1* 9/2012 Schwartz A47B 23/04
248/454

OTHER PUBLICATIONS

Microsoft, Surface Studio, <https://www.microsoft.com/en-us/store/d/surface-studio/8xcw9bbpvfv9/5T1N>, printed Oct. 18, 2017.

* cited by examiner

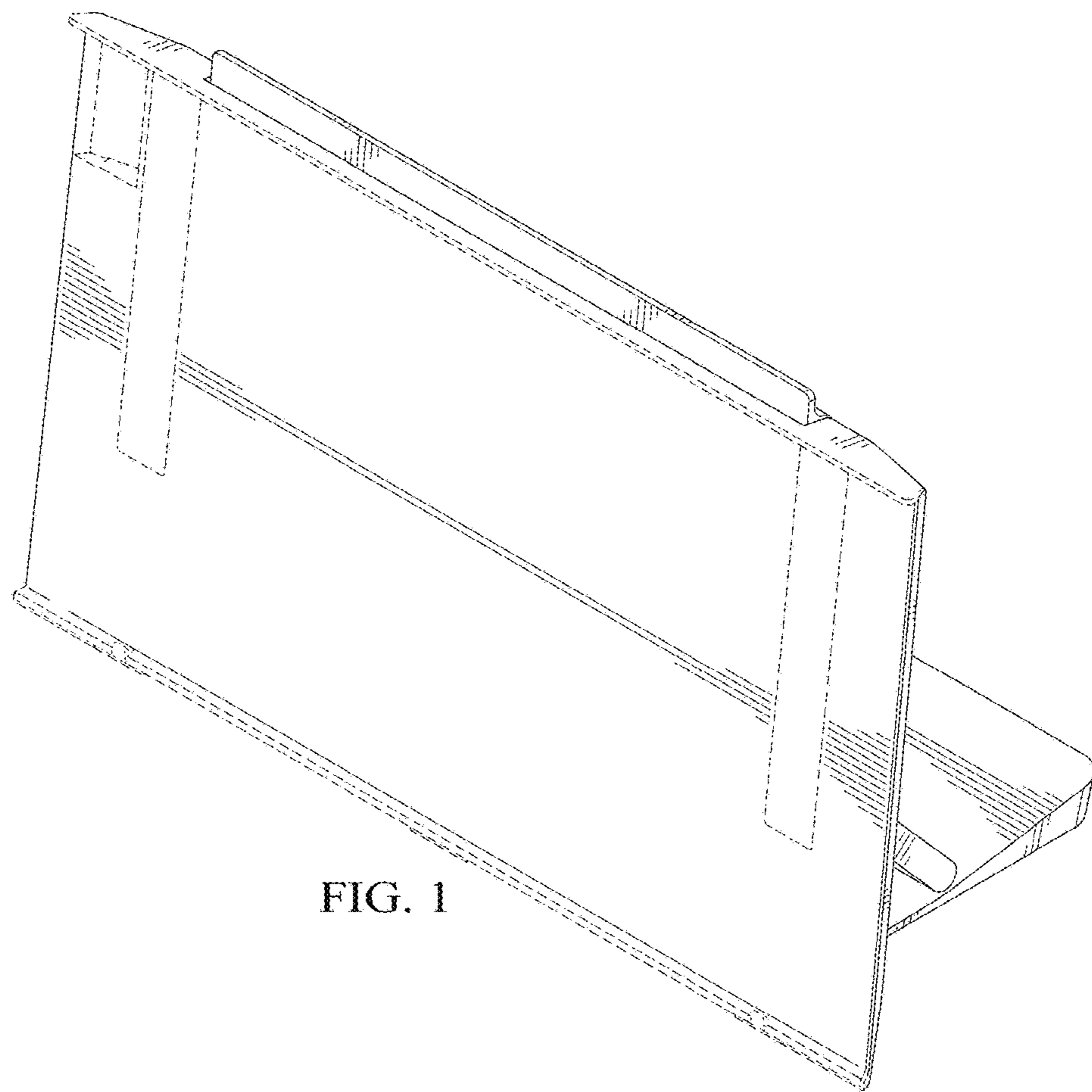


FIG. 1

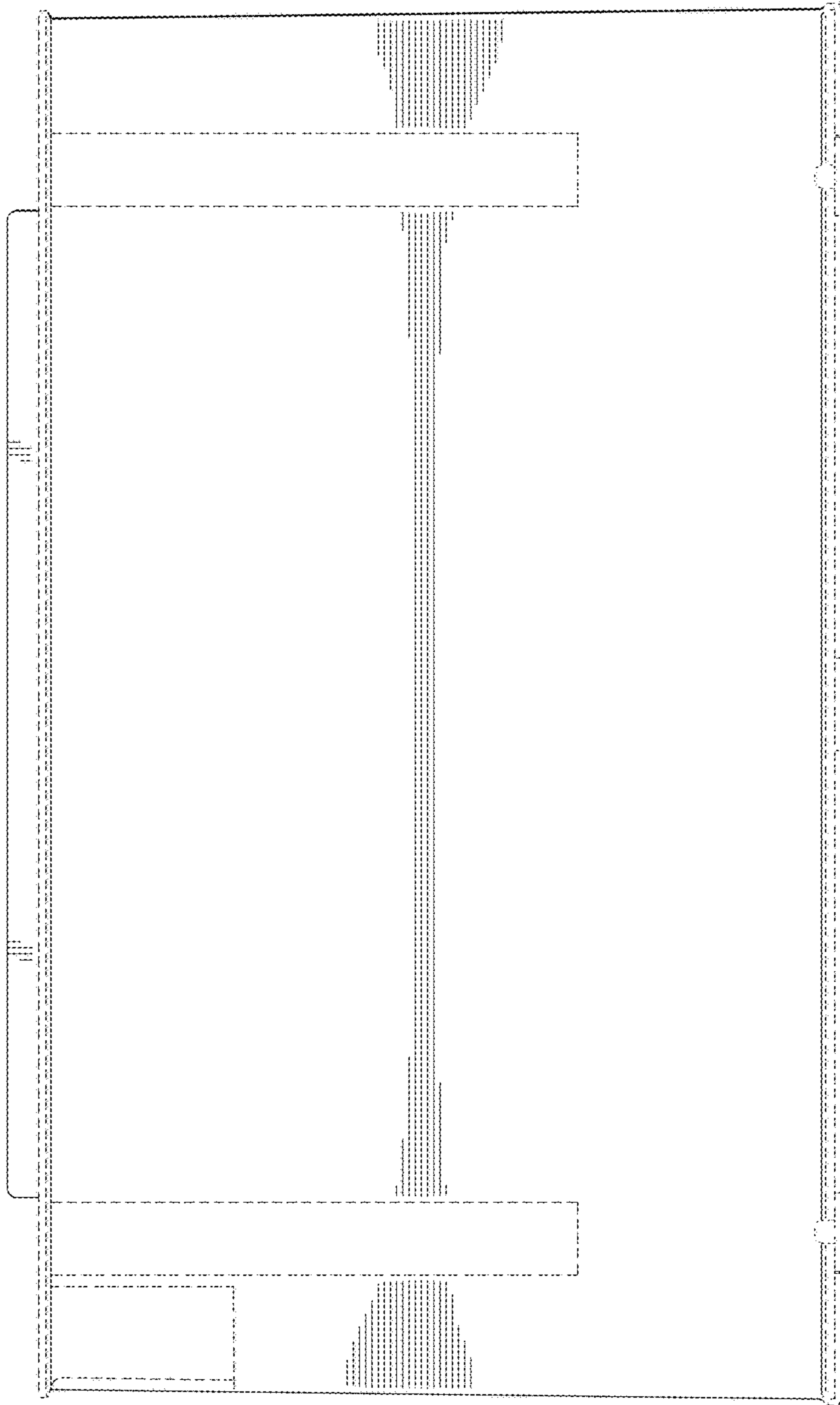


FIG. 2

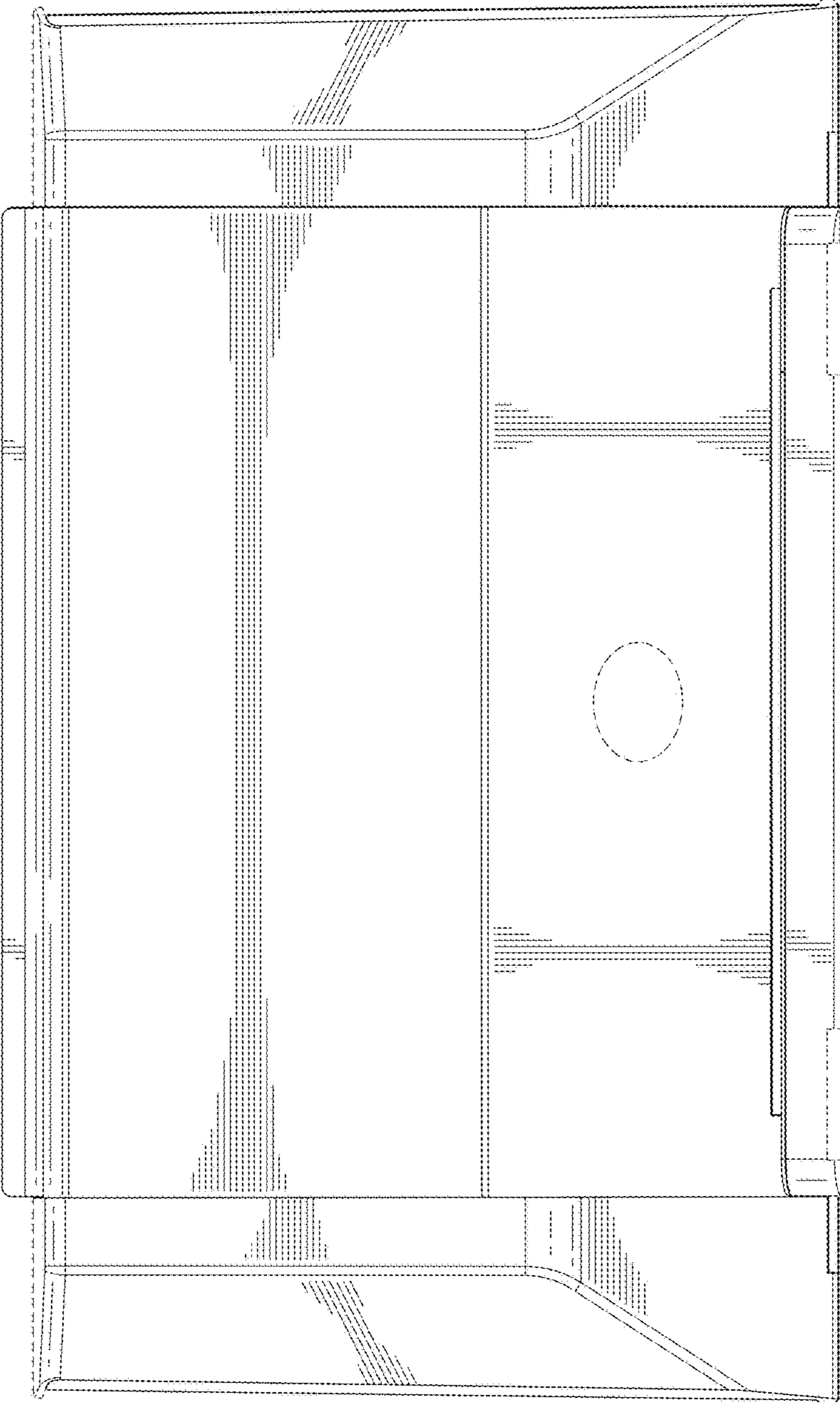


FIG. 3

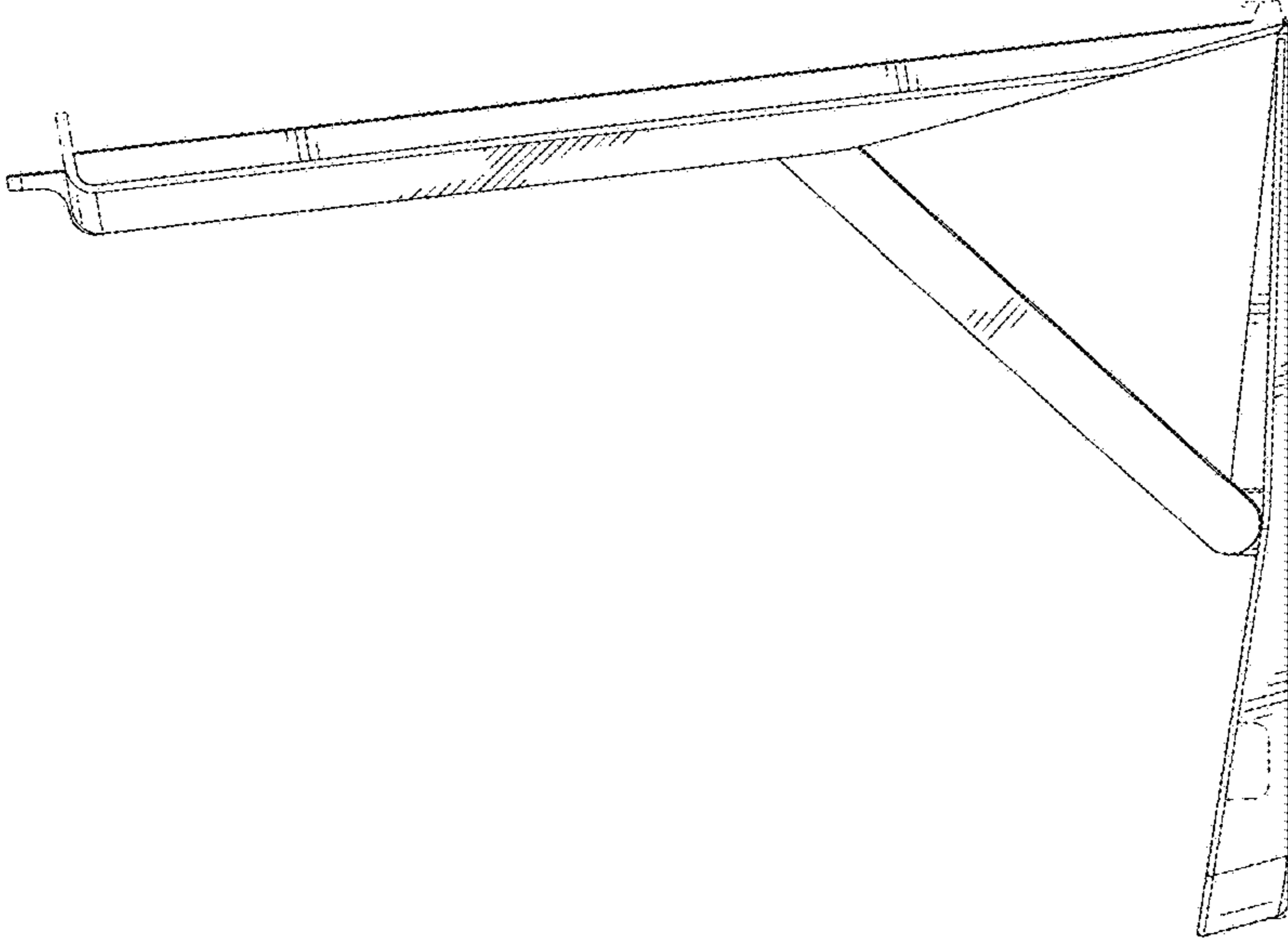


FIG. 5

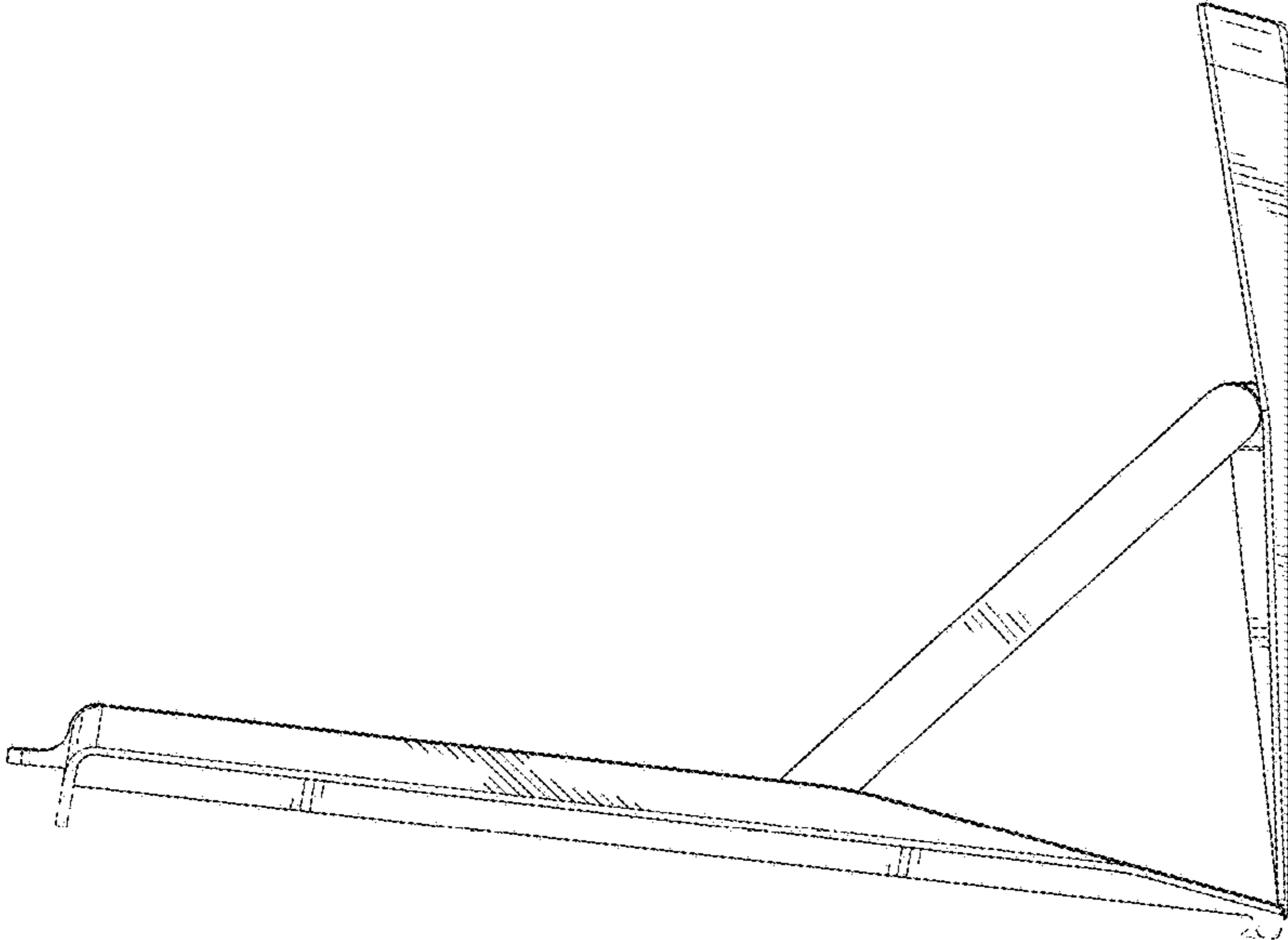


FIG. 4

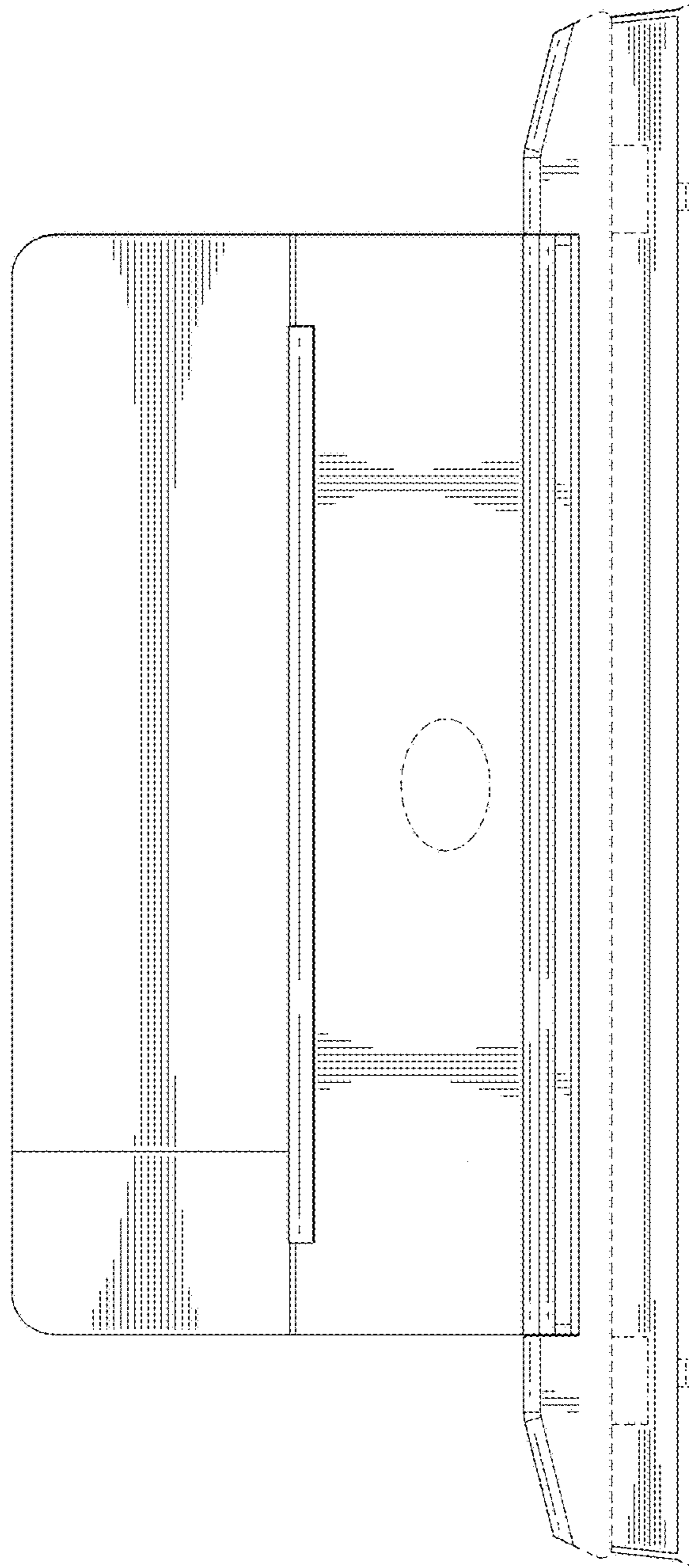


FIG. 6

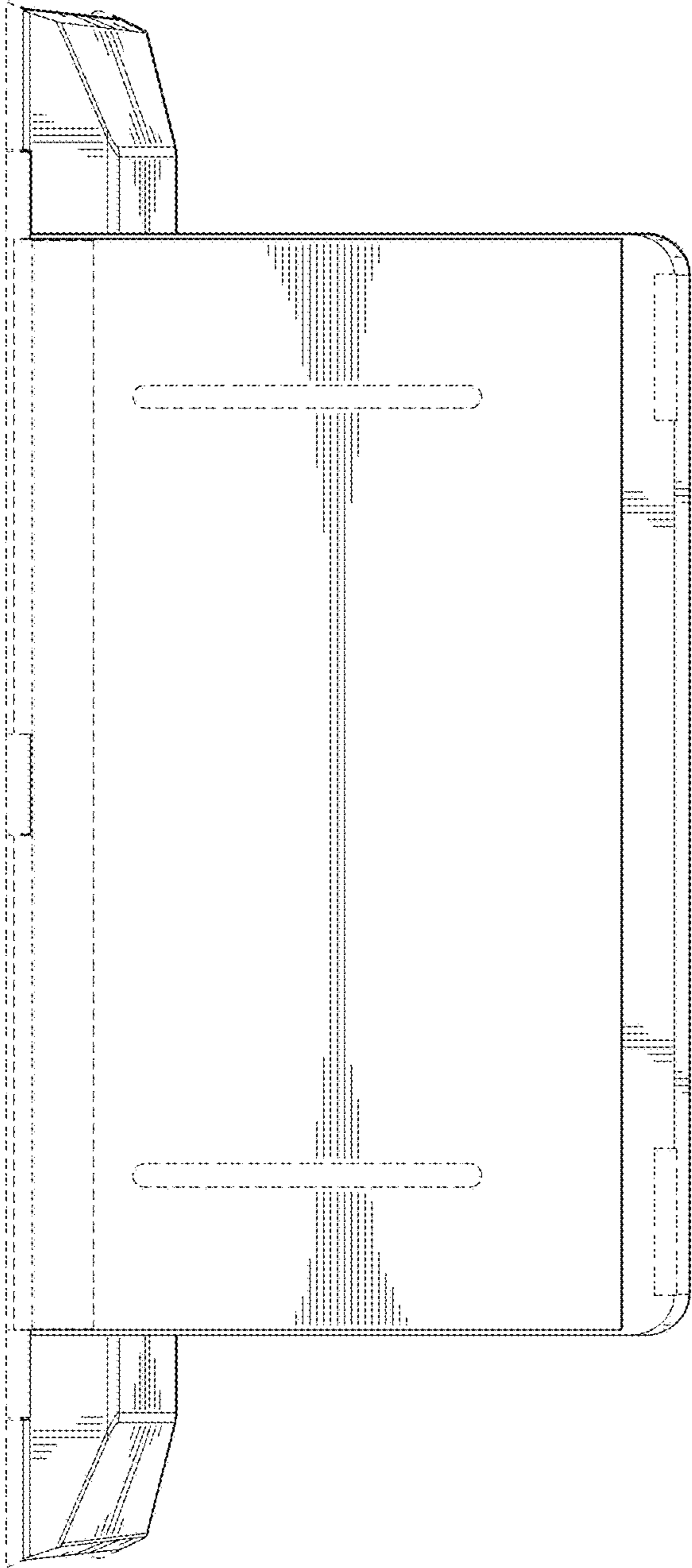


FIG. 7

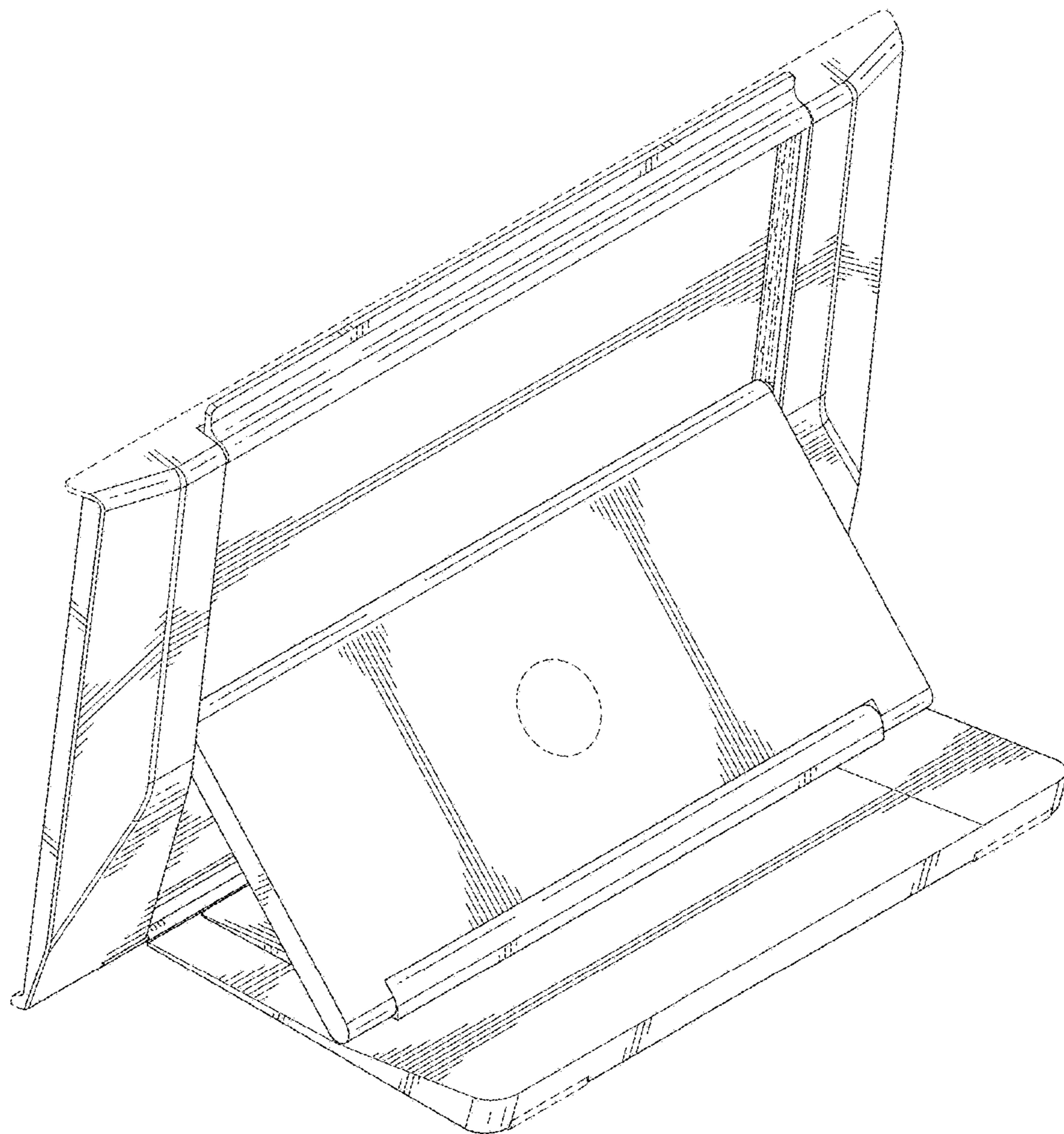


FIG. 8

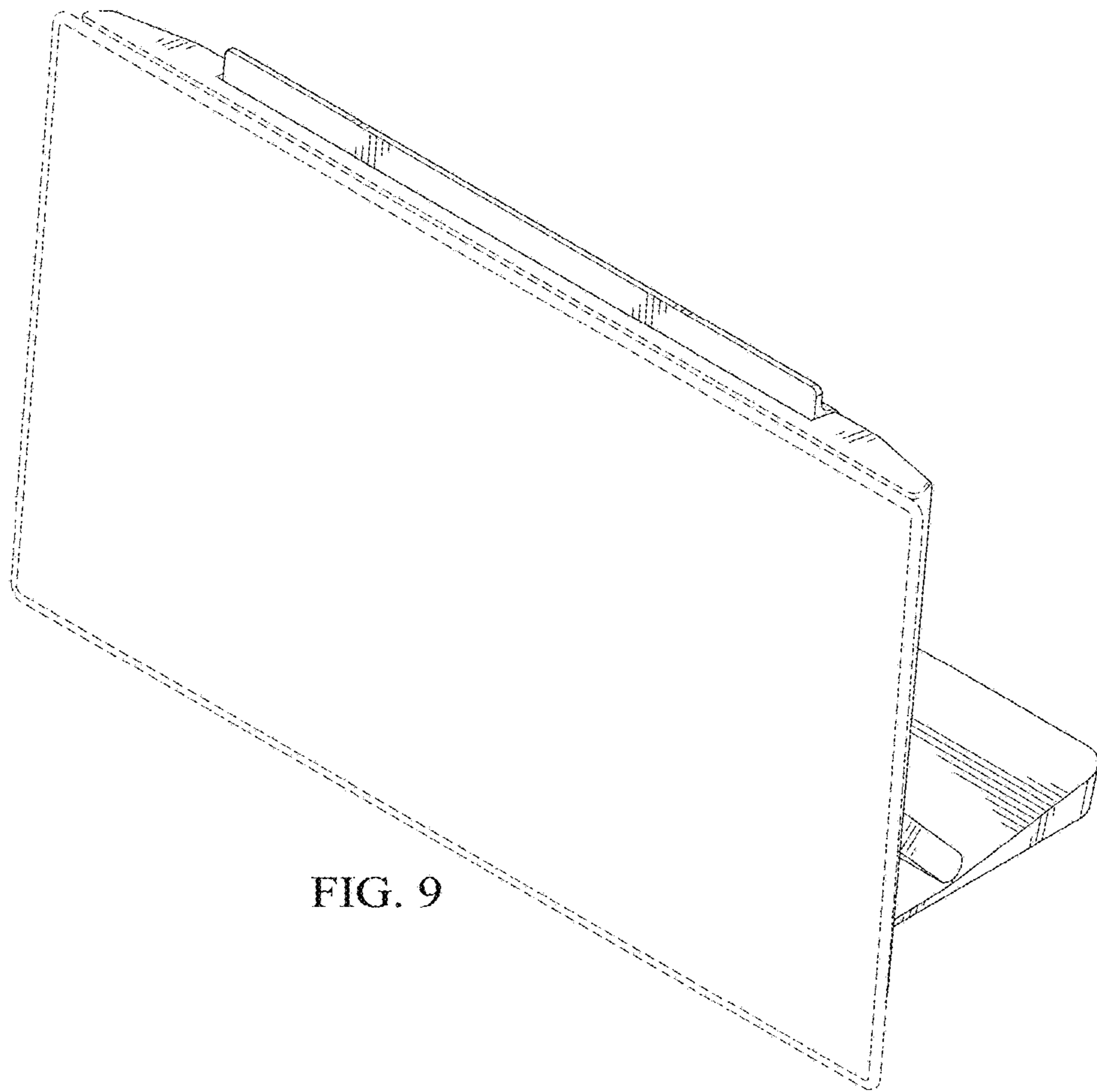


FIG. 9

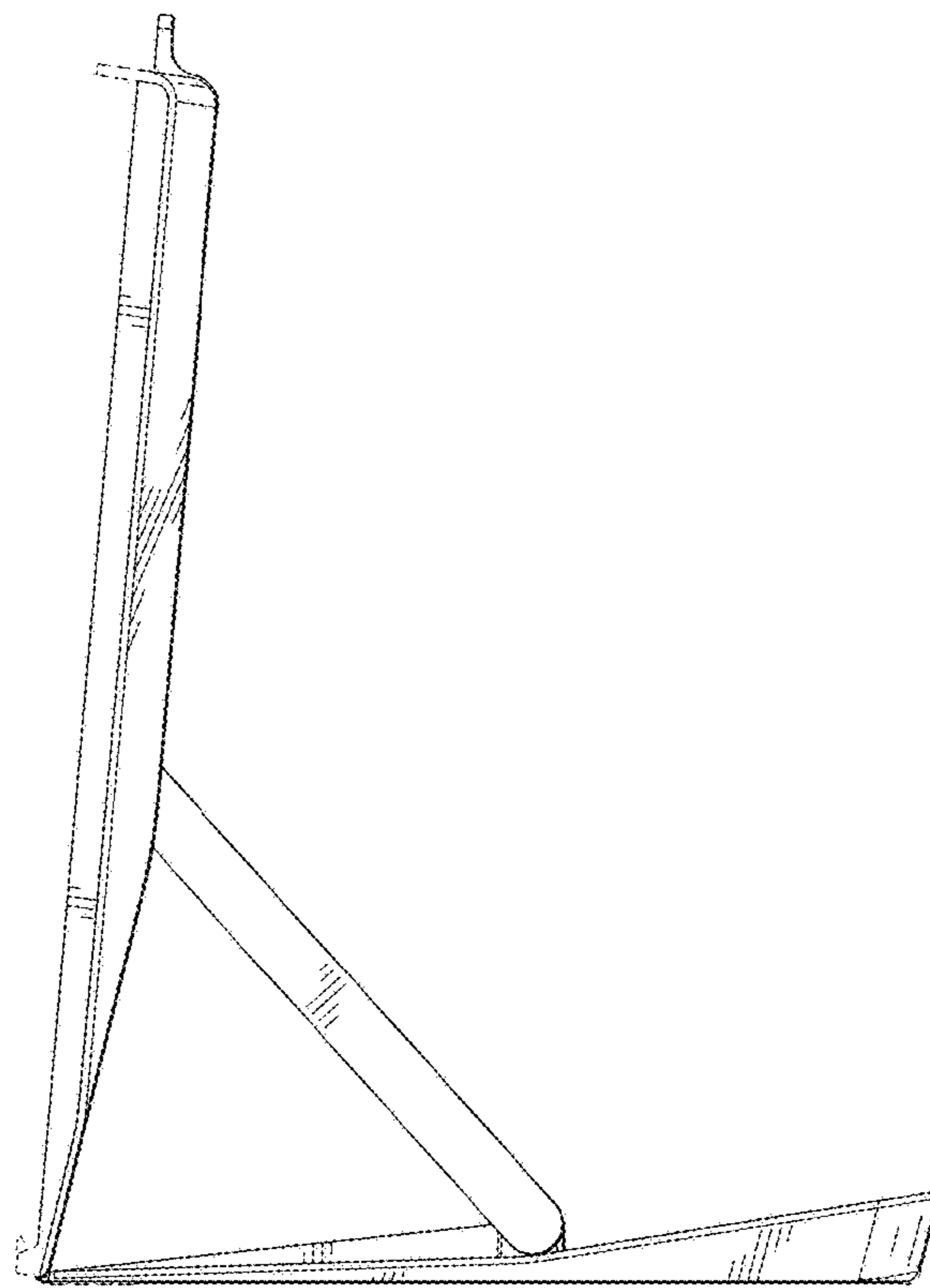


FIG. 10

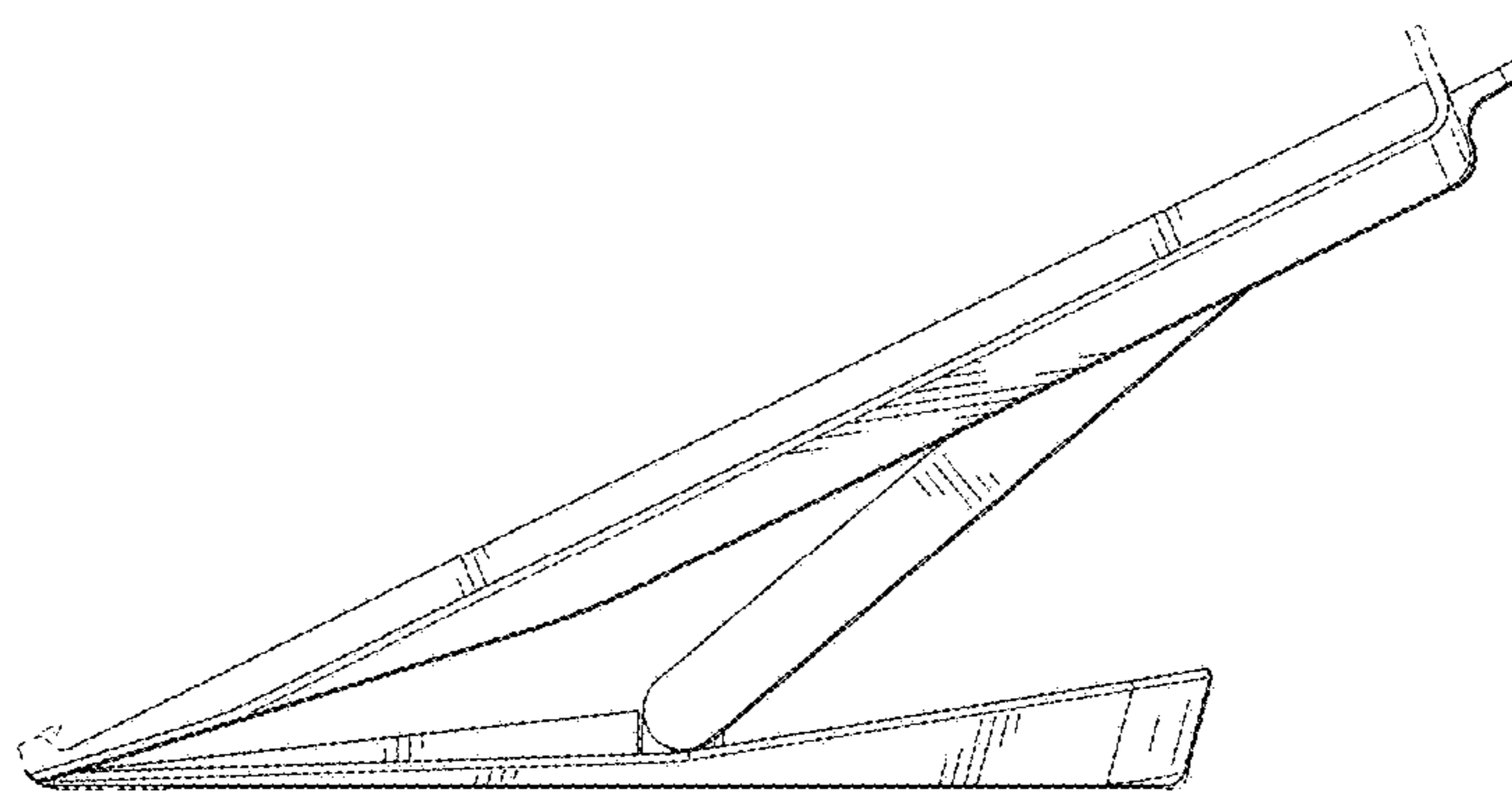


FIG. 11

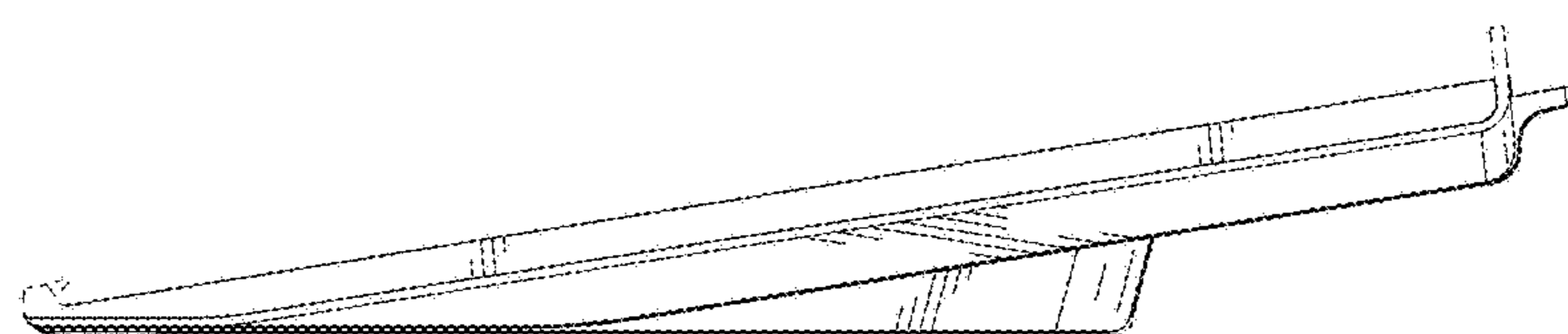


FIG. 12

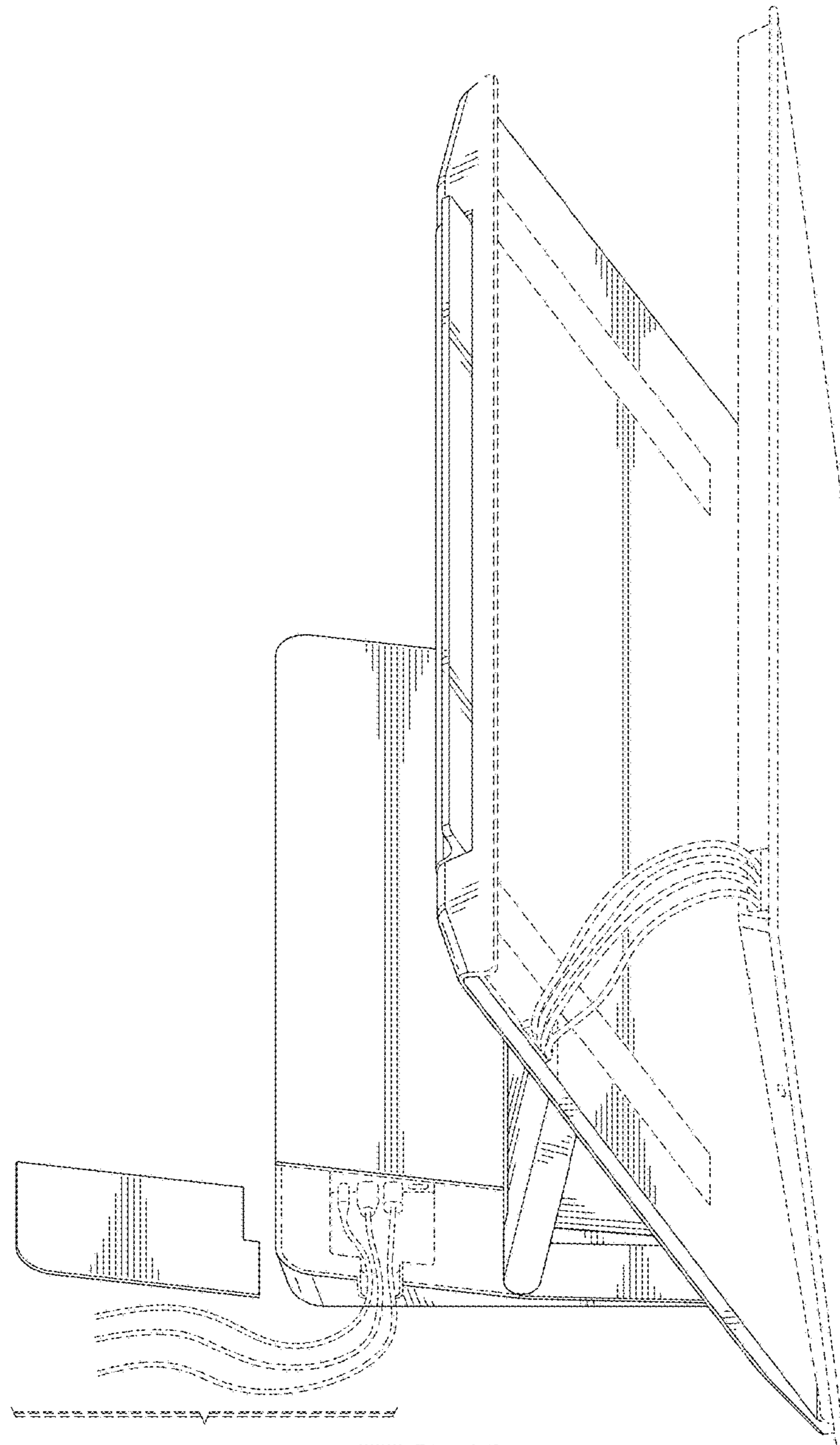


FIG. 13