



US00D845305S

(12) **United States Design Patent** (10) **Patent No.:** **US D845,305 S**  
**Xu** (45) **Date of Patent:** **\*\* Apr. 9, 2019**

(54) **TABLET CASE**  
 (71) Applicant: **Xianlin Xu**, Guangdong (CN)  
 (72) Inventor: **Xianlin Xu**, Guangdong (CN)  
 (73) Assignee: **Shenzhenshi weimeijuguang Technology Co., Ltd.**, Shenzhen (CN)  
 (\*\*) Term: **15 Years**  
 (21) Appl. No.: **29/624,681**  
 (22) Filed: **Nov. 2, 2017**  
 (51) **LOC (11) Cl.** ..... **14-02**  
 (52) **U.S. Cl.**  
 USPC ..... **D14/440**  
 (58) **Field of Classification Search**  
 USPC ..... D14/440; 206/45.23, 320, 45.2;  
 361/679.55; 294/25; 224/218  
 CPC ... G06F 1/1628; G06F 1/1626; A47B 23/044;  
 H04B 1/3888; H05K 5/0217  
 See application file for complete search history.

(56) **References Cited**

## U.S. PATENT DOCUMENTS

D667,831	S *	9/2012	Stravitz	.....	D14/447
D696,256	S *	12/2013	Piedra	.....	D14/440
D696,669	S *	12/2013	Akana	.....	D14/440
D700,611	S *	3/2014	Boldetti	.....	D14/440
D719,169	S *	12/2014	McBroom	.....	D14/440
8,905,231	B2 *	12/2014	Couch, III	.....	A45C 11/00 206/320
8,960,421	B1 *	2/2015	Diebel	.....	G06F 1/1679 206/320
D723,568	S *	3/2015	Kim	.....	D14/440
D724,090	S *	3/2015	Kim	.....	D14/440
D727,916	S *	4/2015	Melmon	.....	D14/440
D727,919	S *	4/2015	Melmon	.....	D14/440
D729,253	S *	5/2015	Nyholm	.....	D14/440
D733,152	S *	6/2015	Sirichai	.....	D14/440

D734,340	S *	7/2015	Kim	.....	D14/440
9,095,194	B2 *	8/2015	Hassett	.....	A45C 11/00
D744,489	S *	12/2015	Sirichai	.....	D14/440
D744,492	S *	12/2015	Lin	.....	G06F 1/1632 D14/440
D753,648	S *	4/2016	Shyu	.....	D14/315
9,307,062	B2 *	4/2016	Kim	.....	H04M 1/04
D764,472	S *	8/2016	Corcoran	.....	D14/440
D772,880	S *	11/2016	Corcoran	.....	D14/440
9,489,054	B1 *	11/2016	Sumsion	.....	G06F 3/0208
D773,470	S *	12/2016	Akana	.....	D14/440
D779,485	S *	2/2017	Akana	.....	D14/345
9,578,941	B2 *	2/2017	MacLachlan	.....	F16M 11/38
D789,342	S *	6/2017	Sirichai	.....	D14/250
D792,887	S *	7/2017	Zhang	.....	D14/440
9,717,314	B2 *	8/2017	Idehara	.....	A45C 11/00
D807,363	S *	1/2018	Hallier	.....	D14/440

(Continued)

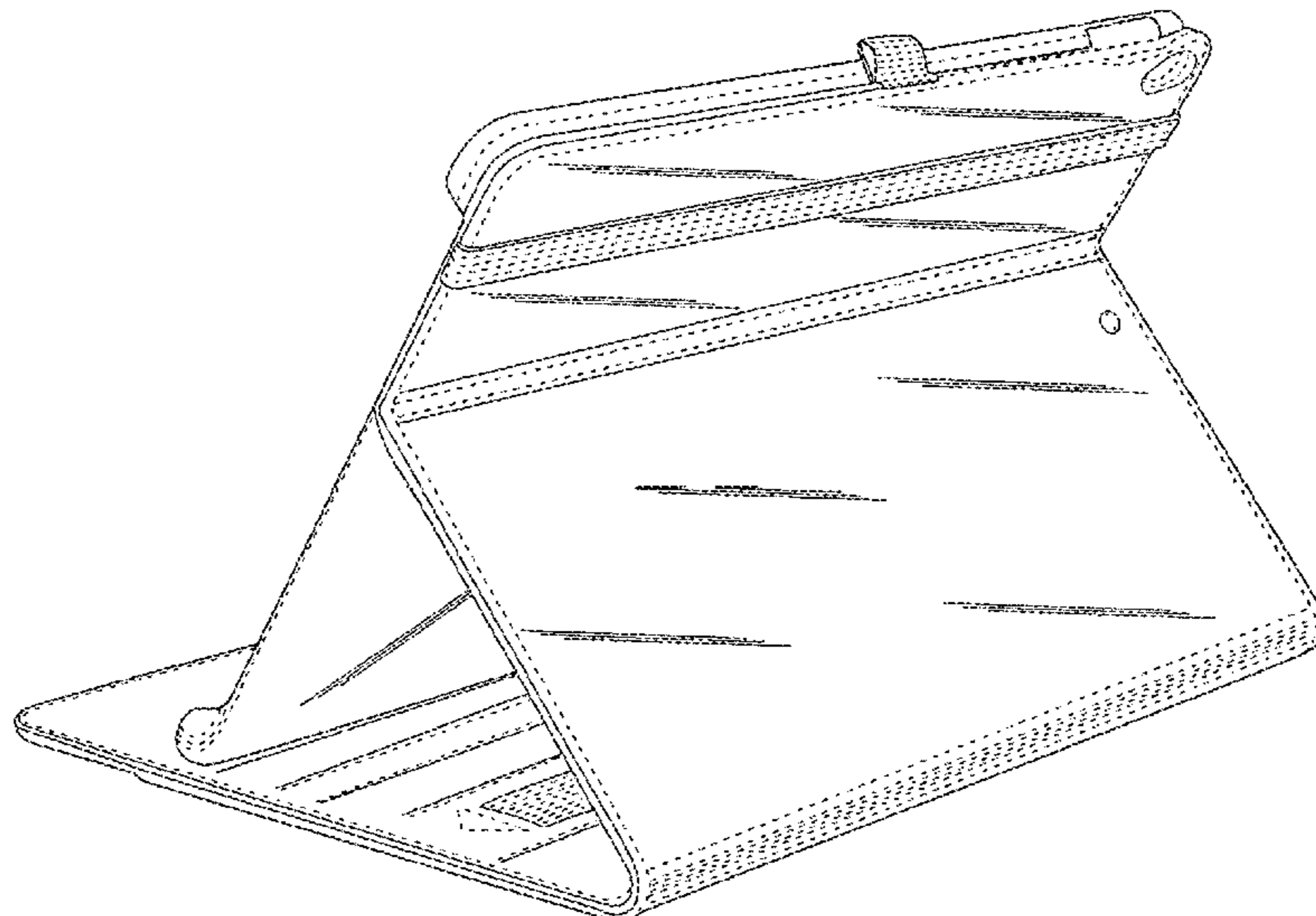
Primary Examiner — Cynthia R Underwood

(57) **CLAIM**

I claim the ornamental design for a tablet case, as shown and described.

**DESCRIPTION**

FIG. 1 is a front elevational view of a tablet case showing my new design;  
 FIG. 2 is a rear elevational view thereof;  
 FIG. 3 is a left side elevational view thereof;  
 FIG. 4 is a right side elevational view thereof;  
 FIG. 5 is a top plan view thereof;  
 FIG. 6 is a bottom plan view thereof;  
 FIG. 7 is a perspective view thereof in use, showing the front view of the standing statues;  
 FIG. 8 is another perspective view thereof in use, showing the rear view of the standing statues; and,  
 FIG. 9 is a perspective view thereof, illustrated in an unfolded position.  
 The broken lines shown depict environment that forms no part of the claimed design.

**1 Claim, 9 Drawing Sheets**

(56)

References Cited

U.S. PATENT DOCUMENTS

D807,365 S \* 1/2018 Liu ..... D14/440  
 D807,892 S \* 1/2018 Wang ..... D14/440  
 D808,394 S \* 1/2018 Lakraa ..... D14/440  
 D808,395 S \* 1/2018 Fenton ..... D14/440  
 D811,390 S \* 2/2018 Kim ..... D14/345  
 D811,411 S \* 2/2018 Moore ..... D14/440  
 D819,038 S \* 5/2018 Diebel ..... D14/440  
 D820,839 S \* 6/2018 Akana ..... D14/345  
 D822,675 S \* 7/2018 Zhu ..... D14/455  
 2007/0057140 A1\* 3/2007 Liou ..... F16M 11/10  
 2008/0029412 A1\* 2/2008 Ho ..... A47B 21/0314  
 2008/0167095 A1\* 7/2008 Kim ..... H04M 1/0216  
 2009/0159763 A1\* 6/2009 Kim ..... F16M 13/00  
 2009/0178938 A1\* 7/2009 Palmer ..... A45C 5/03  
 2009/0194209 A1\* 8/2009 De Filippis ..... A45C 11/00  
 2009/0201254 A1\* 8/2009 Rais ..... G06F 1/1613  
 2010/0294909 A1\* 11/2010 Hauser ..... A47B 23/043  
 2010/0300909 A1\* 12/2010 Hung ..... H04M 1/04

2011/0227463 A1\* 9/2011 Hou ..... A45C 9/00  
 312/223.1  
 2011/0266194 A1\* 11/2011 Bau ..... A45C 11/00  
 206/736  
 2011/0290687 A1\* 12/2011 Han ..... A45C 3/02  
 206/320  
 2011/0297566 A1\* 12/2011 Gallagher ..... F16M 11/105  
 206/320  
 2012/0140396 A1\* 6/2012 Zelif ..... G06F 1/1628  
 361/679.09  
 2012/0194448 A1\* 8/2012 Rothkopf ..... A45C 13/002  
 345/173  
 2013/0140194 A1\* 6/2013 Han ..... G06F 1/1656  
 206/45.23  
 2013/0233762 A1\* 9/2013 Balaji ..... B65D 25/00  
 206/736  
 2013/0264459 A1\* 10/2013 McCosh ..... G06F 1/1626  
 248/688  
 2014/0291175 A1\* 10/2014 Chung ..... G06F 1/1656  
 206/45.23  
 2015/0296060 A1\* 10/2015 Gu ..... H04M 1/0235  
 455/575.4  
 2015/0296068 A1\* 10/2015 Chin ..... G06F 1/1628  
 455/575.8  
 2016/0011628 A1\* 1/2016 Sato ..... G06F 1/1656  
 361/679.3  
 2016/0187937 A1\* 6/2016 Ahee ..... G06F 1/1681  
 361/679.09

\* cited by examiner

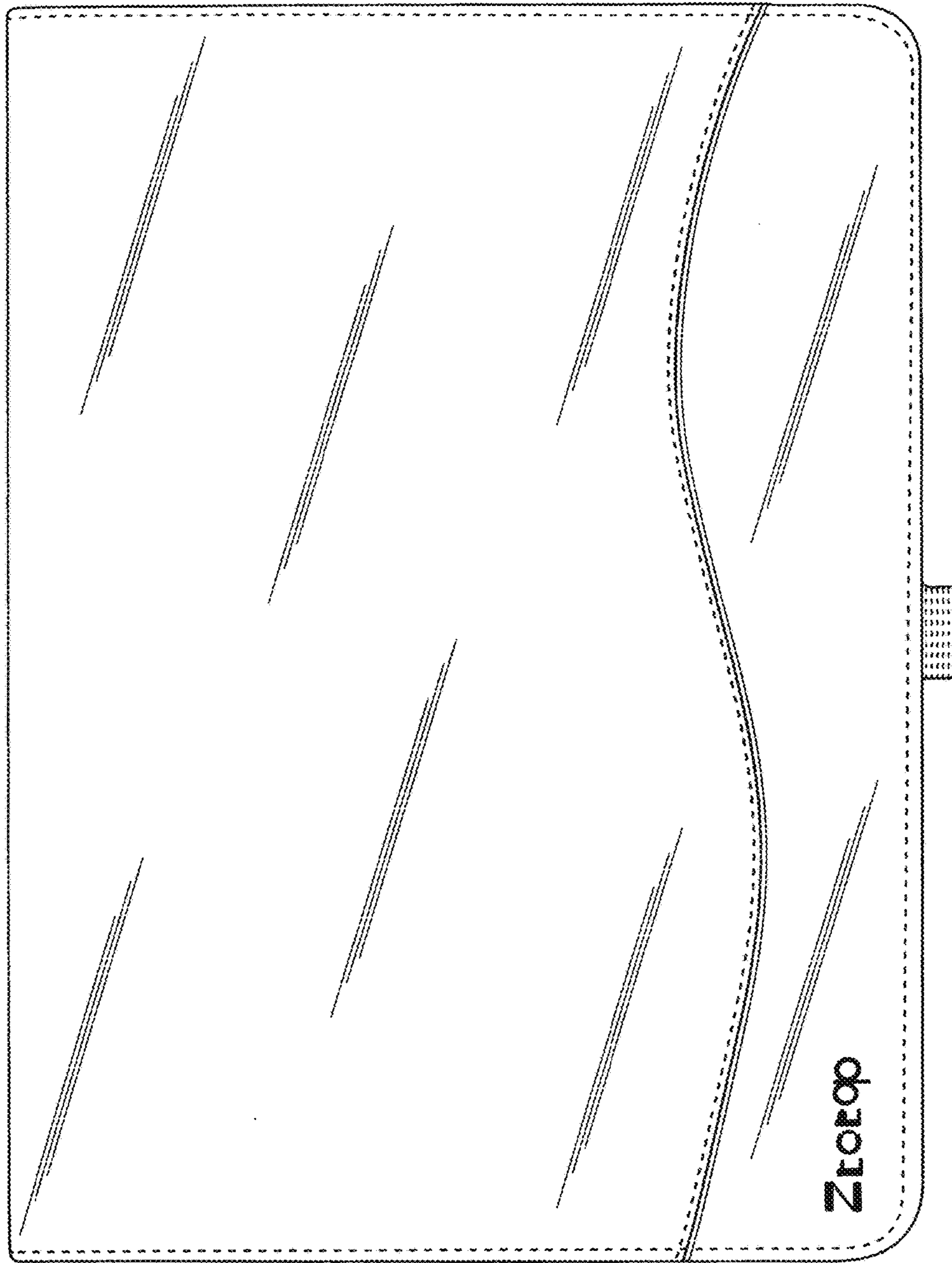


FIG. 1

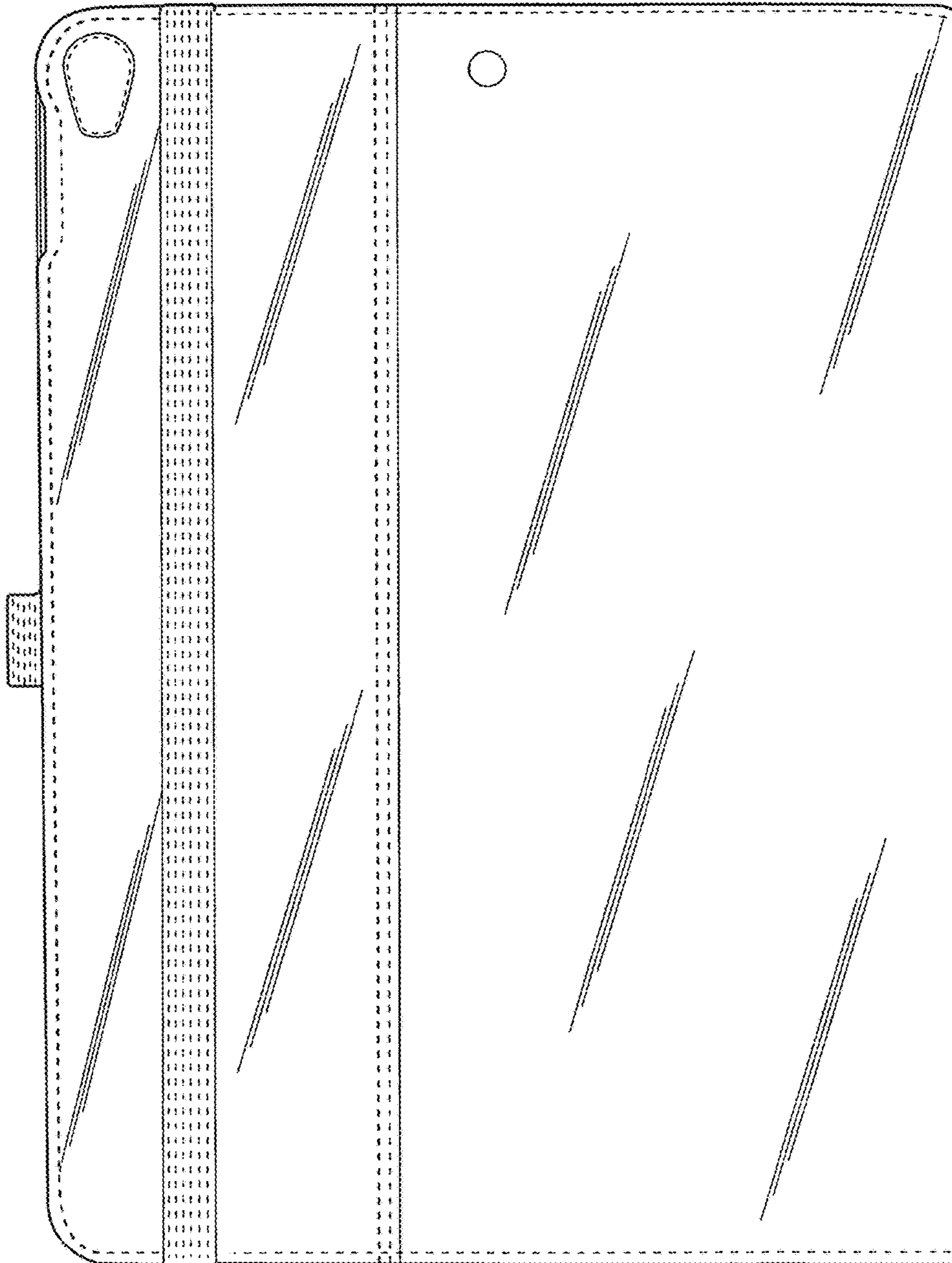


FIG. 2

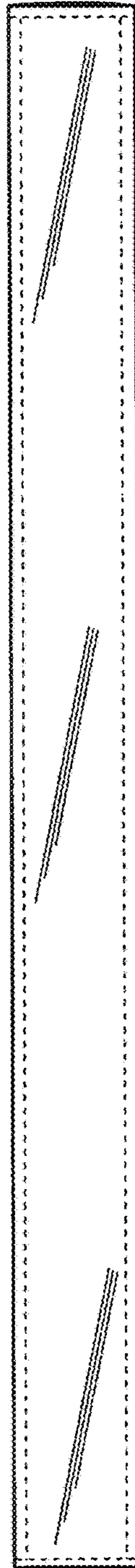


FIG. 3

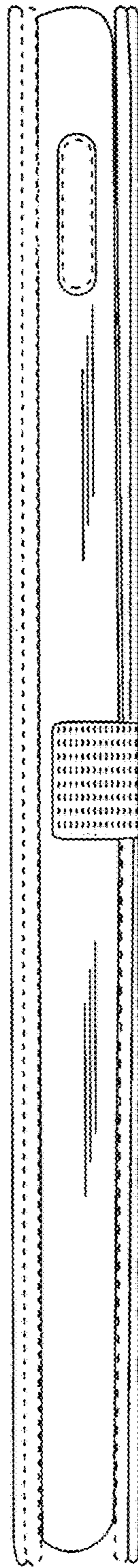


FIG. 4

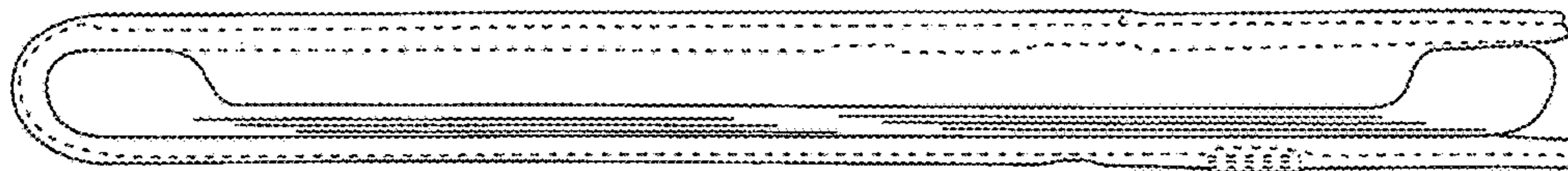


FIG. 5

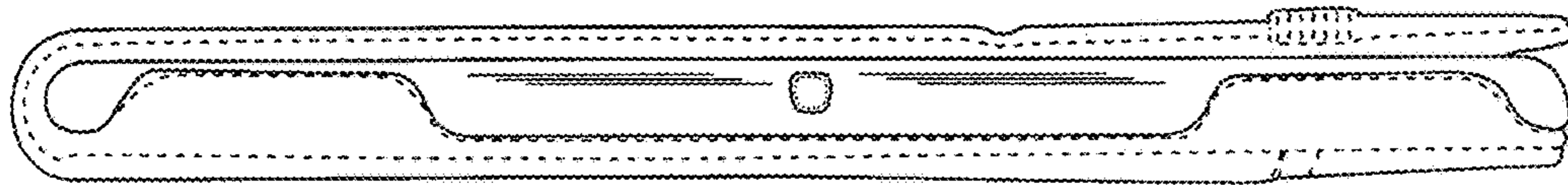


FIG. 6



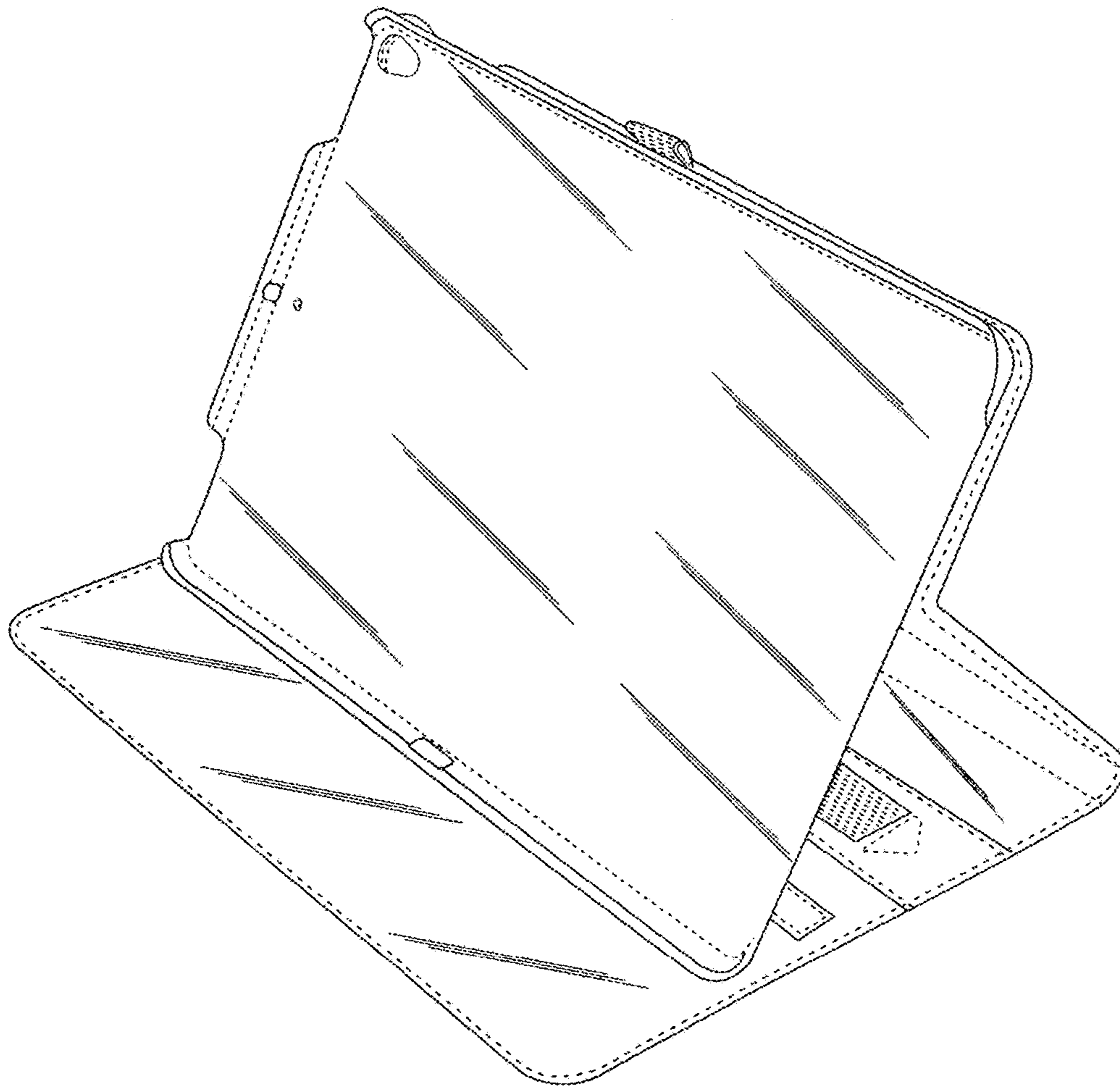


FIG. 7

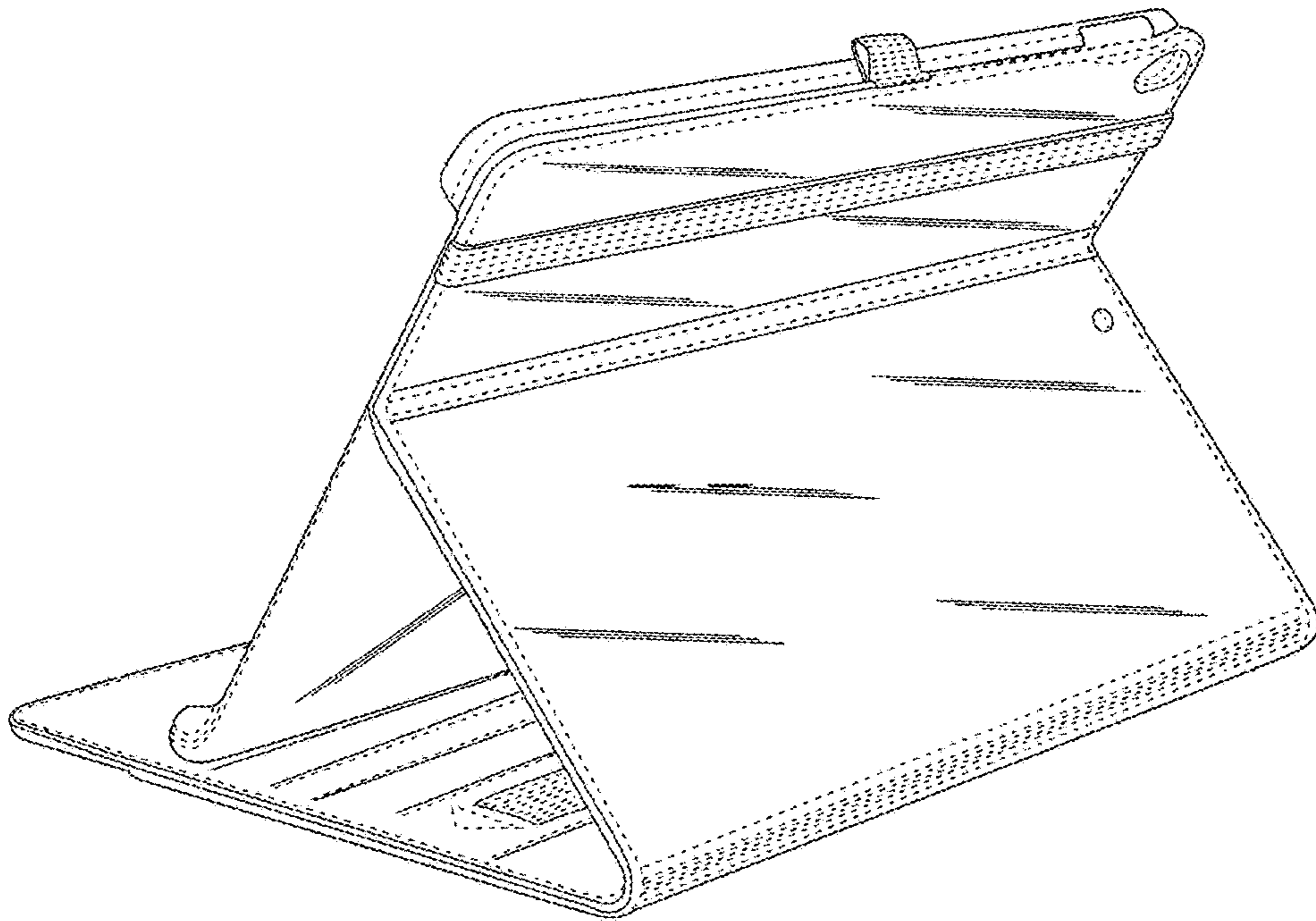


FIG. 8

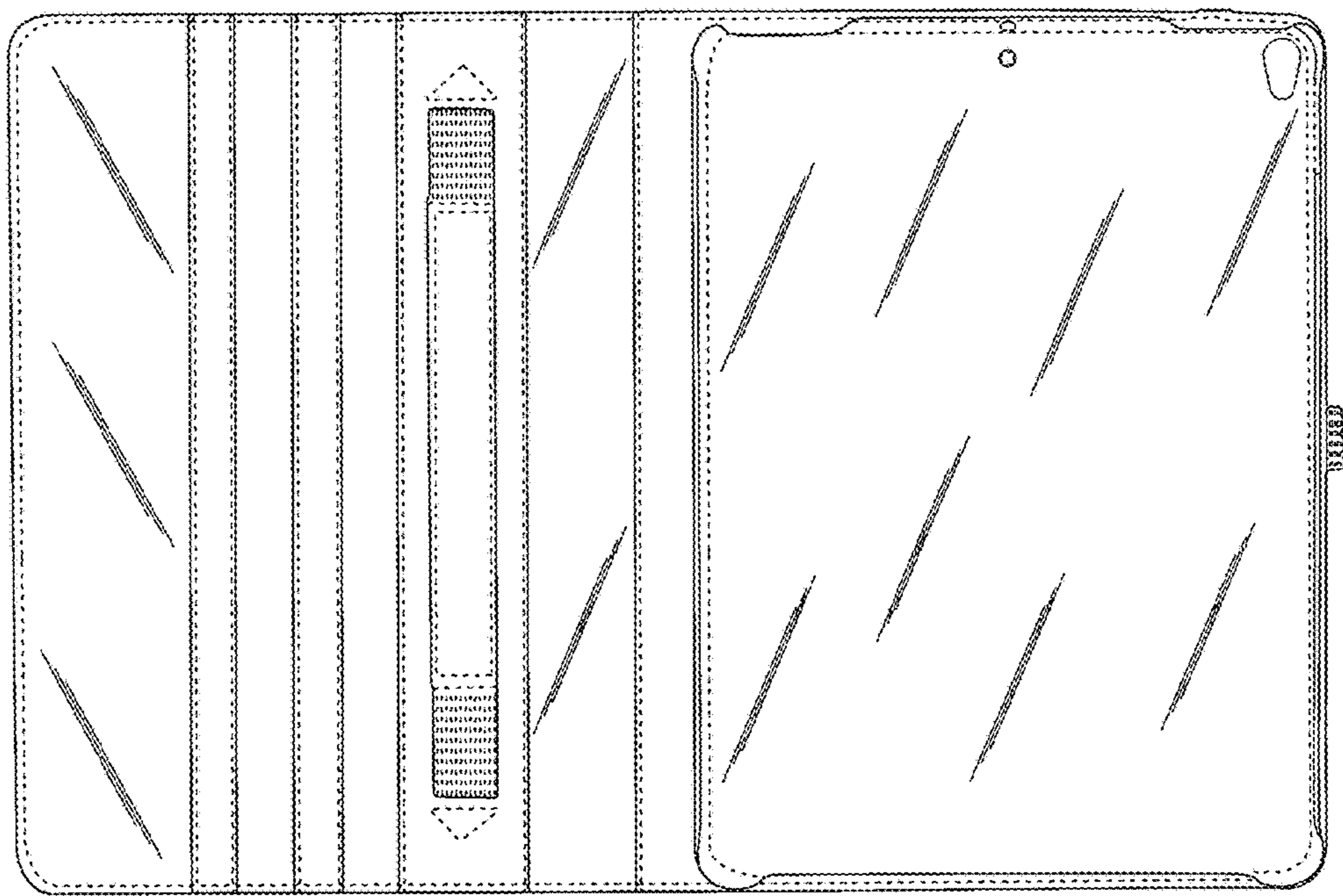


FIG. 9