



US00D845304S

(12) **United States Design Patent**
Bishop et al.

(10) **Patent No.:** **US D845,304 S**

(45) **Date of Patent:** **** Apr. 9, 2019**

(54) **DOCK**

(71) Applicants: **Ralph Bishop**, New York, NY (US);
Nick Dangerfield, New York, NY (US);
Joseph Saavedra, Brooklyn, NY (US);
Pepin S. Gelardi, Brooklyn, NY (US);
Joseph Gonzalez, Brooklyn, NY (US);
Tan Tran, Brooklyn, NY (US);
Theodore Ullrich, New York, NY
(US); **Alex Chung**, New York, NY
(US); **Riyadh Rateme**, Brooklyn, NY
(US)

(72) Inventors: **Ralph Bishop**, New York, NY (US);
Nick Dangerfield, New York, NY (US);
Joseph Saavedra, Brooklyn, NY (US);
Pepin S. Gelardi, Brooklyn, NY (US);
Joseph Gonzalez, Brooklyn, NY (US);
Tan Tran, Brooklyn, NY (US);
Theodore Ullrich, New York, NY
(US); **Alex Chung**, New York, NY
(US); **Riyadh Rateme**, Brooklyn, NY
(US)

(73) Assignee: **GIPHY, INC.**, New York, NY (US)

(**) Term: **15 Years**

(21) Appl. No.: **29/628,781**

(22) Filed: **Dec. 7, 2017**

(51) **LOC (11) Cl.** **14-02**

(52) **U.S. Cl.**
USPC **D14/434**

(58) **Field of Classification Search**
USPC D14/434, 432, 433, 440, 447, 251-253,
D14/451, 452, 454, 140, 142, 149, 217,
D14/240, 299, 496, 356, 357, 358, 209.1,
D14/171; D13/103, 107, 108, 118, 119,
D13/110, 123, 184; D21/333; D6/512,
D6/672, 682
CPC G06F 1/1616; G06F 1/1626; G06F 1/1632;
G06F 1/1688; G06F 13/00; H01M 10/44;
F16M 11/10; F16M 11/20; H02J 7/0042;

H02J 7/00; H02J 7/0027; H02J 7/0044;
H02J 7/0045; H02J 7/355; H02J 7/025;
H01R 31/065; H04R 1/025; H04R 5/04

See application file for complete search history.

(56) **References Cited**

U.S. PATENT DOCUMENTS

D243,344 S *	2/1977	Allard	D13/111
D266,672 S *	10/1982	Landin	D14/451
D315,330 S *	3/1991	Soren	D13/107
D319,061 S *	8/1991	Powell	D13/107
D320,196 S *	9/1991	Carter	D14/434

(Continued)

Primary Examiner — Marie D. Fast Horse

(74) *Attorney, Agent, or Firm* — Barnes & Thornburg
LLP

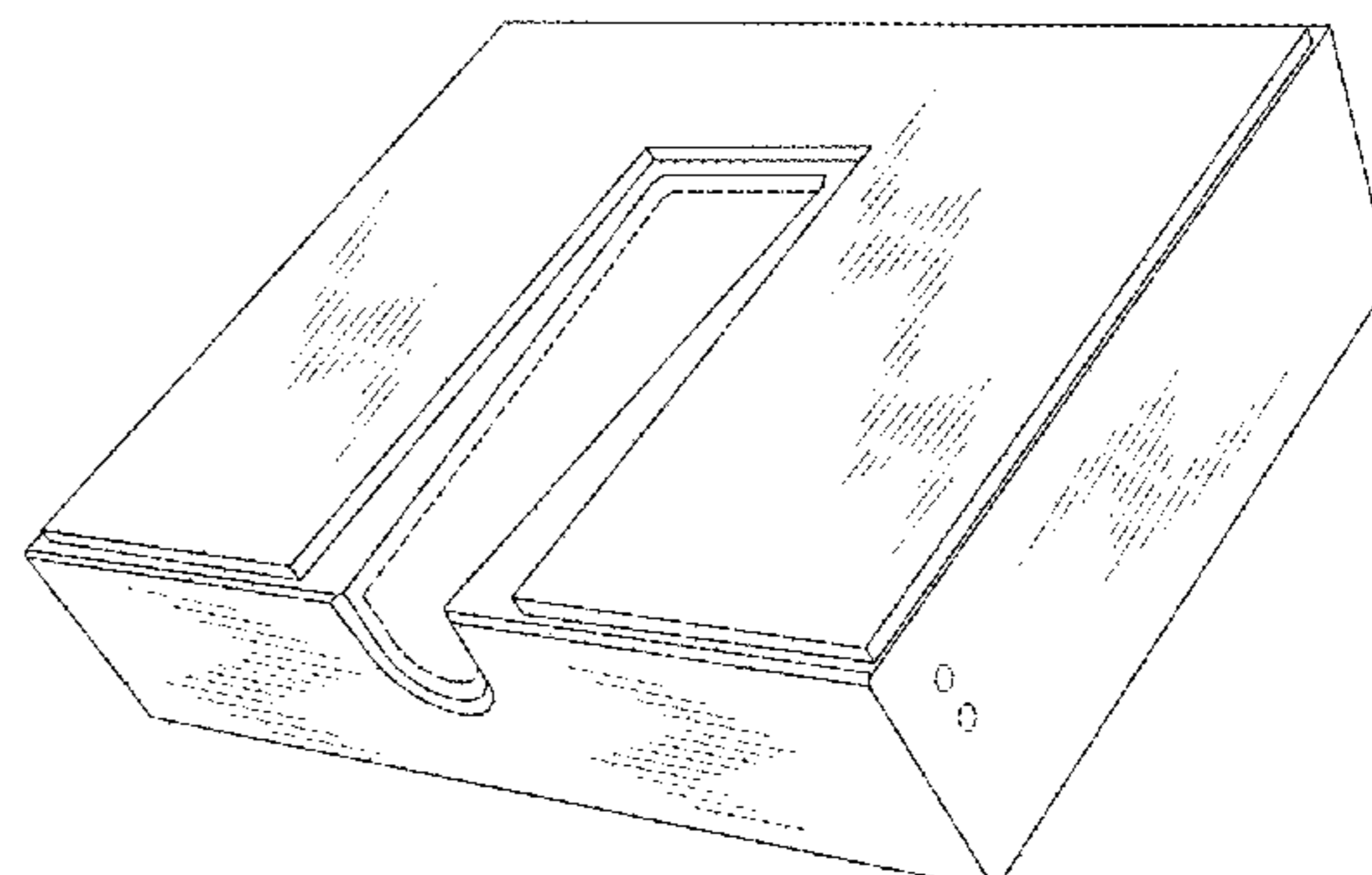
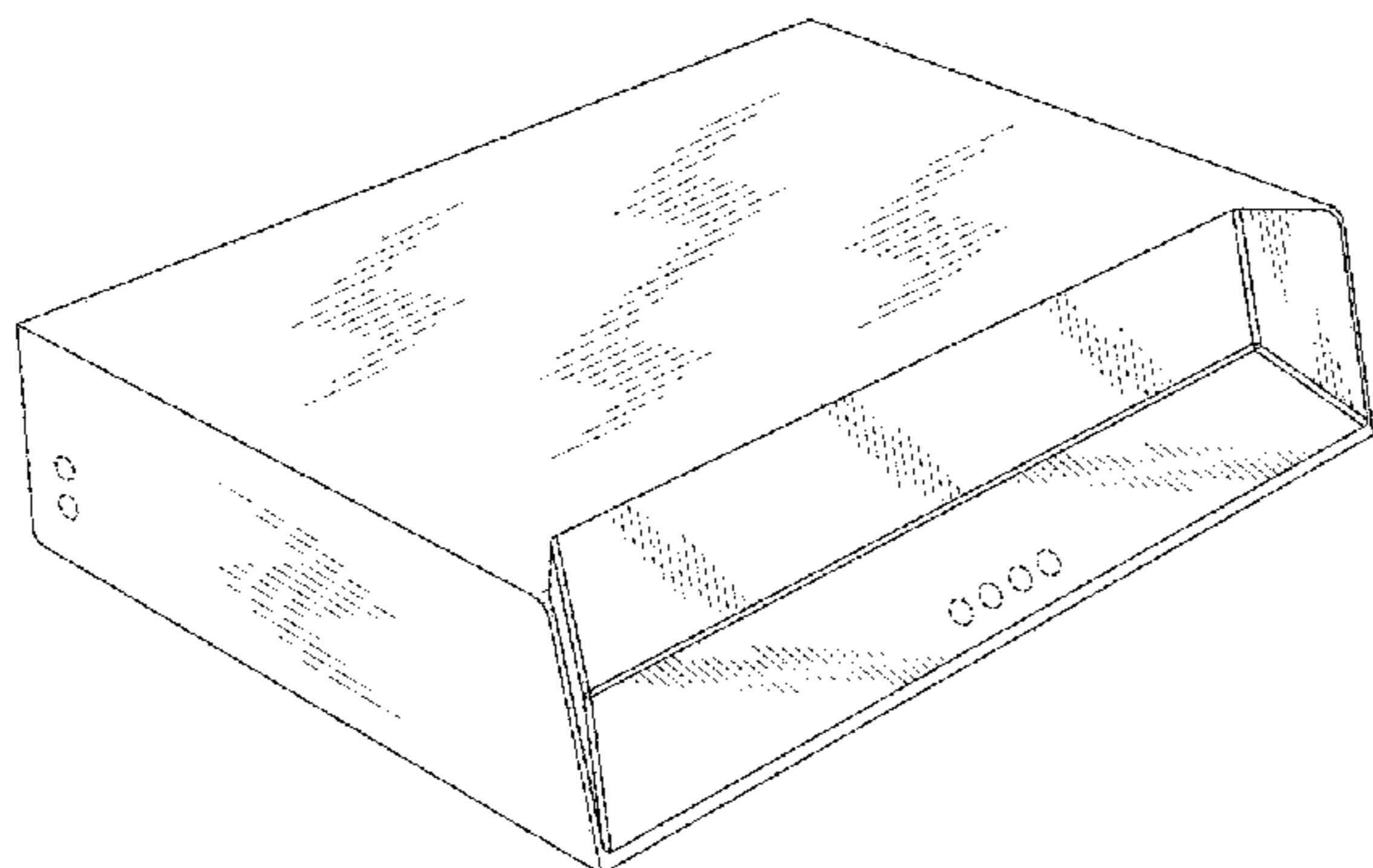
(57) **CLAIM**

We claim the ornamental design for a dock, as shown and described.

DESCRIPTION

FIG. 1 is a front perspective view of the dock;
FIG. 2 is a rear perspective view of the dock;
FIG. 3 is a front elevation view of the dock;
FIG. 4 is a rear elevation view of the dock;
FIG. 5 is a first side elevation view of the dock, with the second side being the mirror image of the first side;
FIG. 6 is a top plan view of the dock;
FIG. 7 is a bottom plan view of the dock; and,
FIG. 8 is another perspective view thereof, showing the dock in use with an unclaimed environmental display.
The broken lines in FIG. 8 showing the additional display depict environmental subject matter only and form no part of the claim, while all other broken lines in the drawings represent the boundaries of the claim which extend to the boundary but do not include the boundary. All broken line form no part of the claim.

1 Claim, 5 Drawing Sheets



(56)

References Cited

U.S. PATENT DOCUMENTS

D335,490 S * 5/1993 Mesfin D14/434
 D336,287 S * 6/1993 Mizusugi D14/434
 D342,487 S * 12/1993 Iino D14/434
 D362,663 S * 9/1995 Nguyen D14/434
 D393,451 S * 4/1998 Faranda D14/434
 D456,413 S * 4/2002 Malson D14/434
 D477,604 S * 7/2003 Lin D14/434
 D505,958 S * 6/2005 Cheng D14/434
 D514,576 S * 2/2006 Sung D14/434
 D540,327 S * 4/2007 Wong D14/434
 D568,874 S * 5/2008 Andre D14/217
 D571,360 S * 6/2008 Andre D14/217
 D595,264 S * 6/2009 Andre D14/217
 D597,080 S * 7/2009 Andre D14/217
 D597,081 S * 7/2009 Andre D14/217
 D610,128 S * 2/2010 Andre D13/108
 D625,291 S * 10/2010 Andre D14/217
 D633,476 S * 3/2011 Andre D14/217
 D634,304 S * 3/2011 Andre D14/217
 D635,978 S * 4/2011 Chen D14/434

D635,979 S * 4/2011 Wu D13/107
 D648,339 S * 11/2011 O'Neil D14/434
 D666,145 S * 8/2012 Kim D13/108
 D668,255 S * 10/2012 McManigal D14/434
 D670,282 S * 11/2012 McManigal D14/253
 D722,043 S * 2/2015 Requa D13/108
 D736,211 S * 8/2015 Kirkpatrick G06F 1/20
 D14/434
 D736,774 S * 8/2015 Ahn D14/434
 9,207,713 B1 * 12/2015 Waide G06F 1/1632
 D757,730 S * 5/2016 Fletcher D14/434
 D769,878 S * 10/2016 Fletcher D14/434
 D771,139 S * 11/2016 Poulheim D14/496
 D771,140 S * 11/2016 Poulheim D14/496
 D795,876 S * 8/2017 Fletcher D14/434
 D806,712 S * 1/2018 Cebe D14/434
 D829,718 S * 10/2018 Fletcher D14/434
 2010/0219012 A1 * 9/2010 Baumbach G10K 11/025
 181/177
 2015/0373440 A1 * 12/2015 Fontana G06F 1/1688
 381/388

* cited by examiner

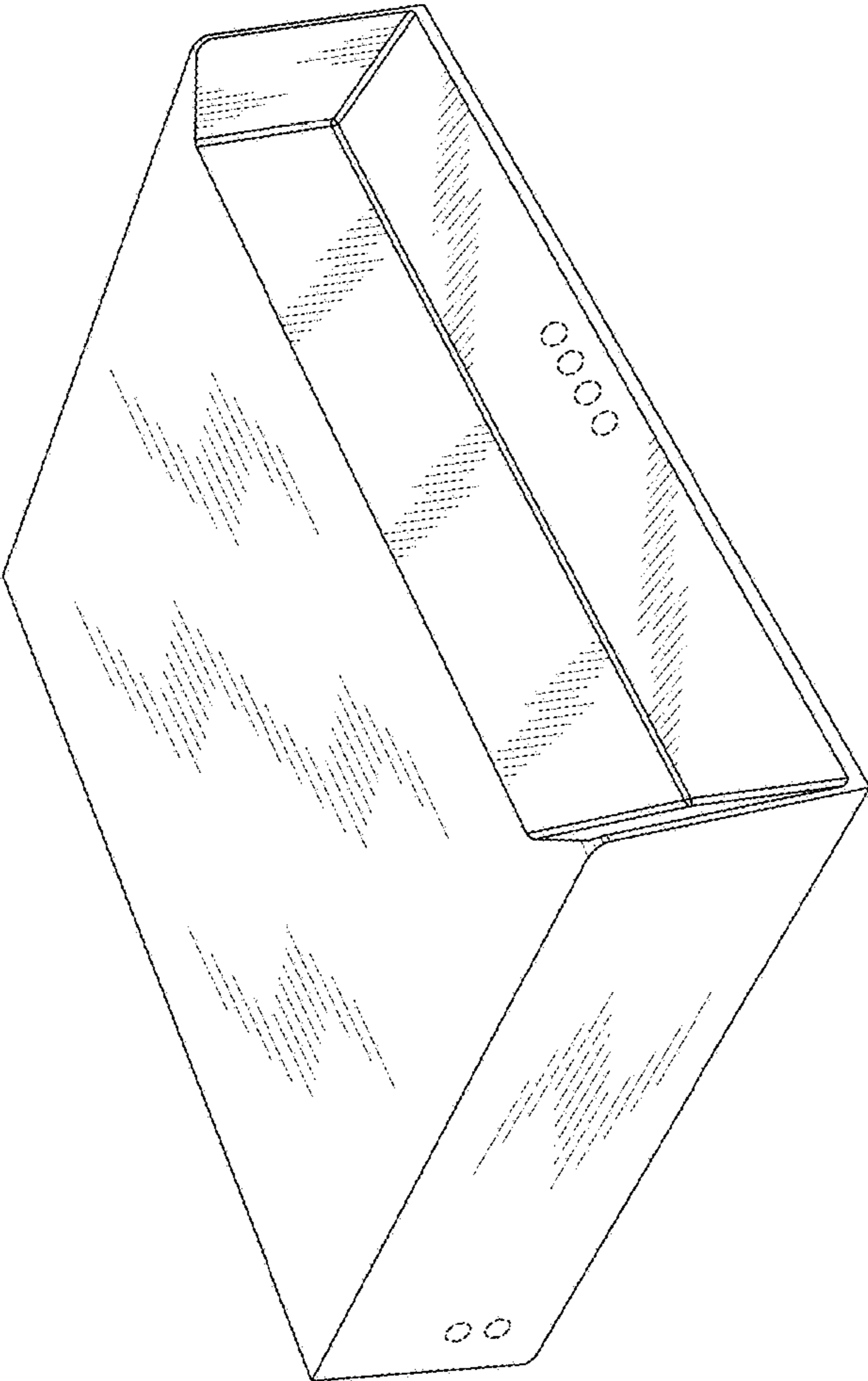


Fig. 1

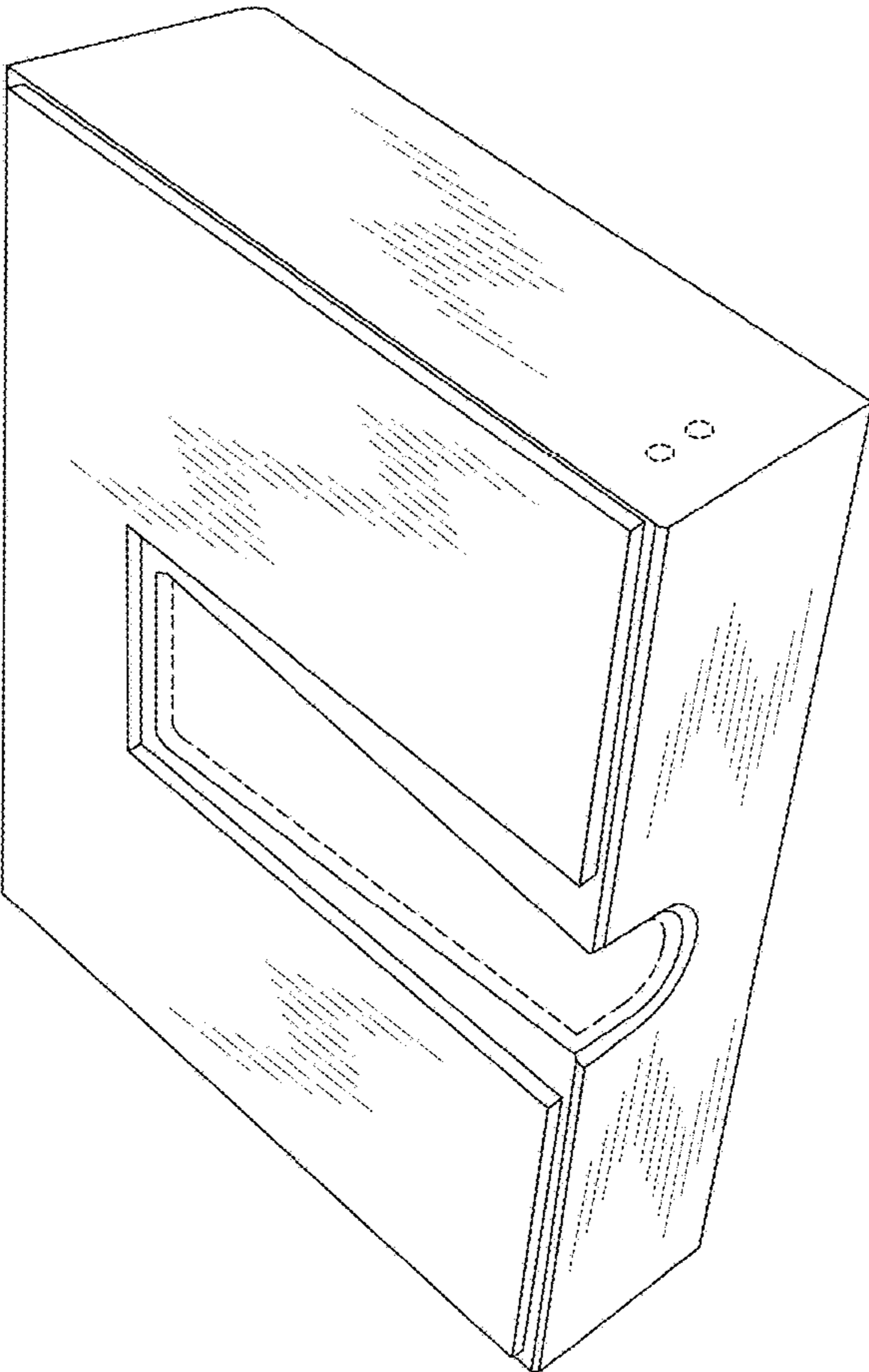


Fig. 2

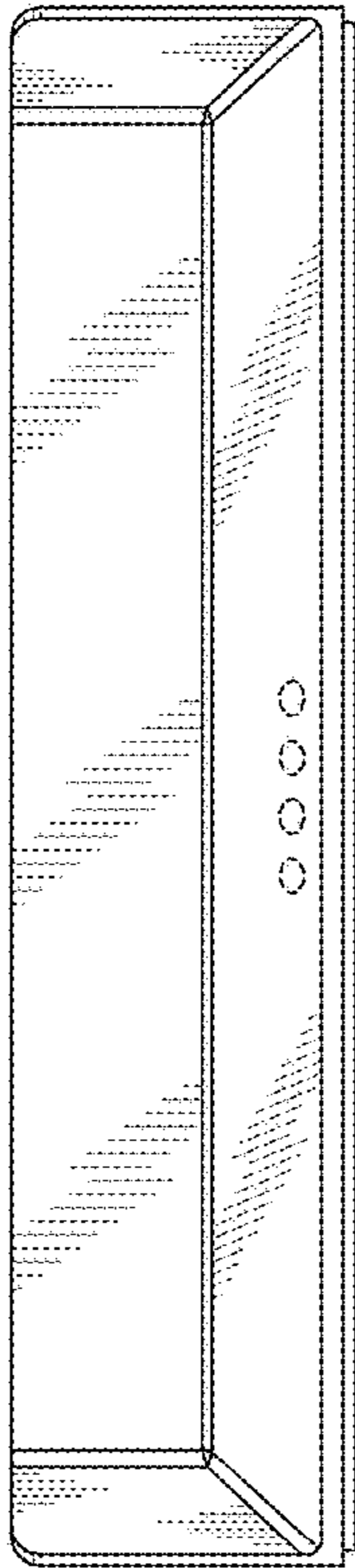


Fig. 3

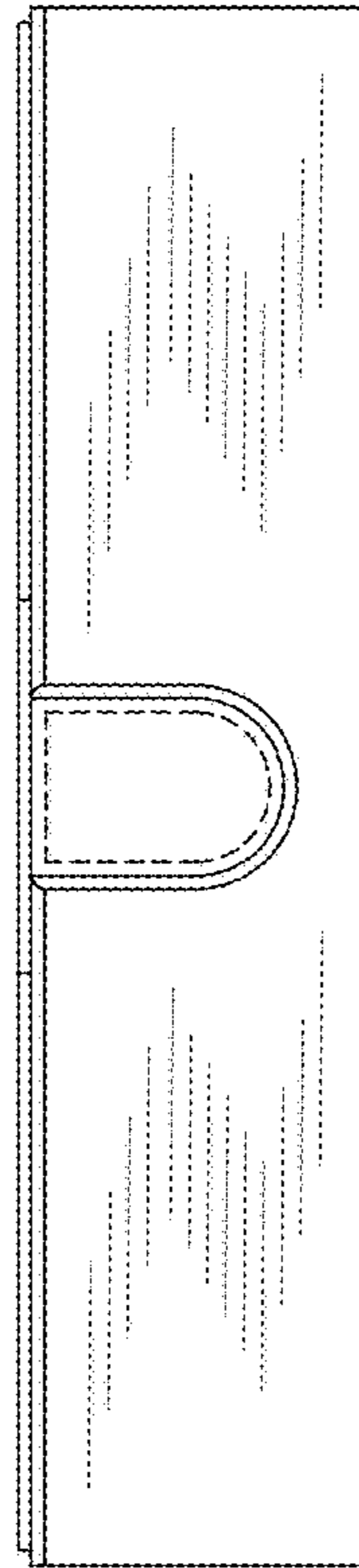


Fig. 4

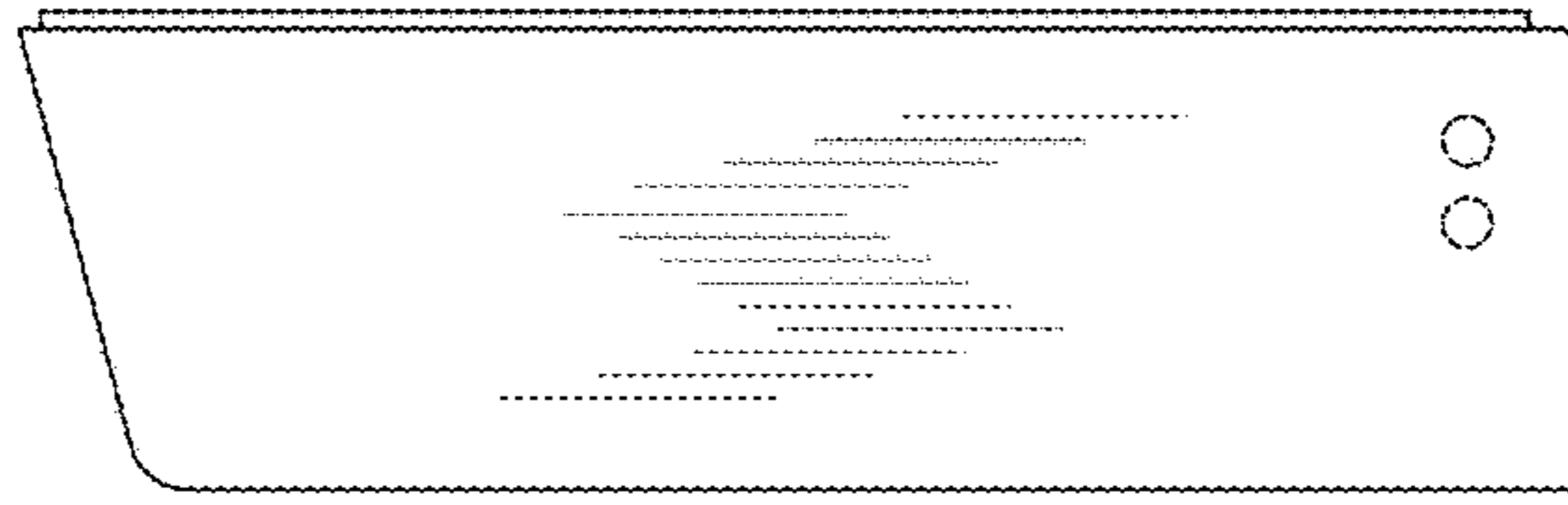


Fig. 5

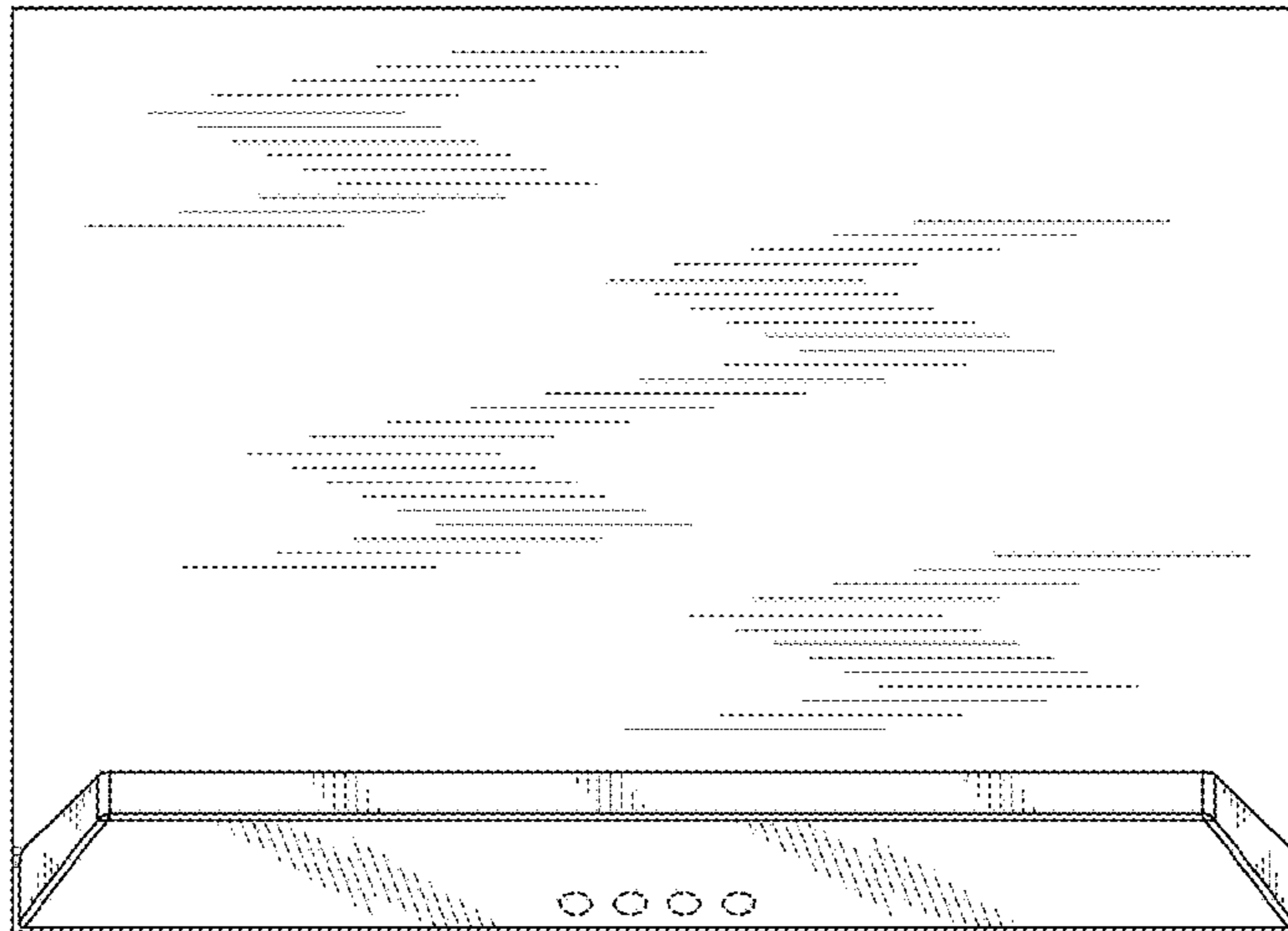


Fig. 6

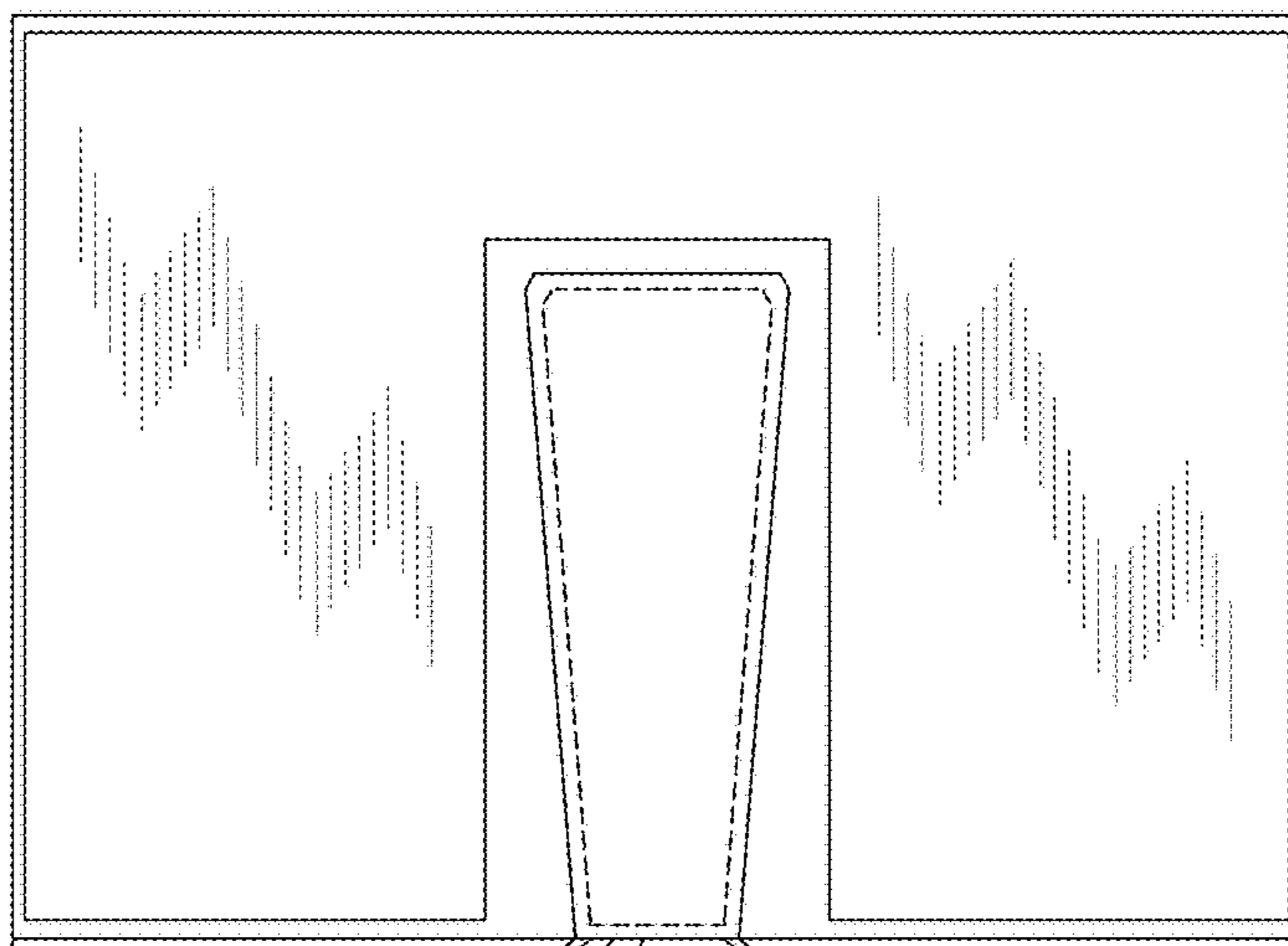


Fig. 7

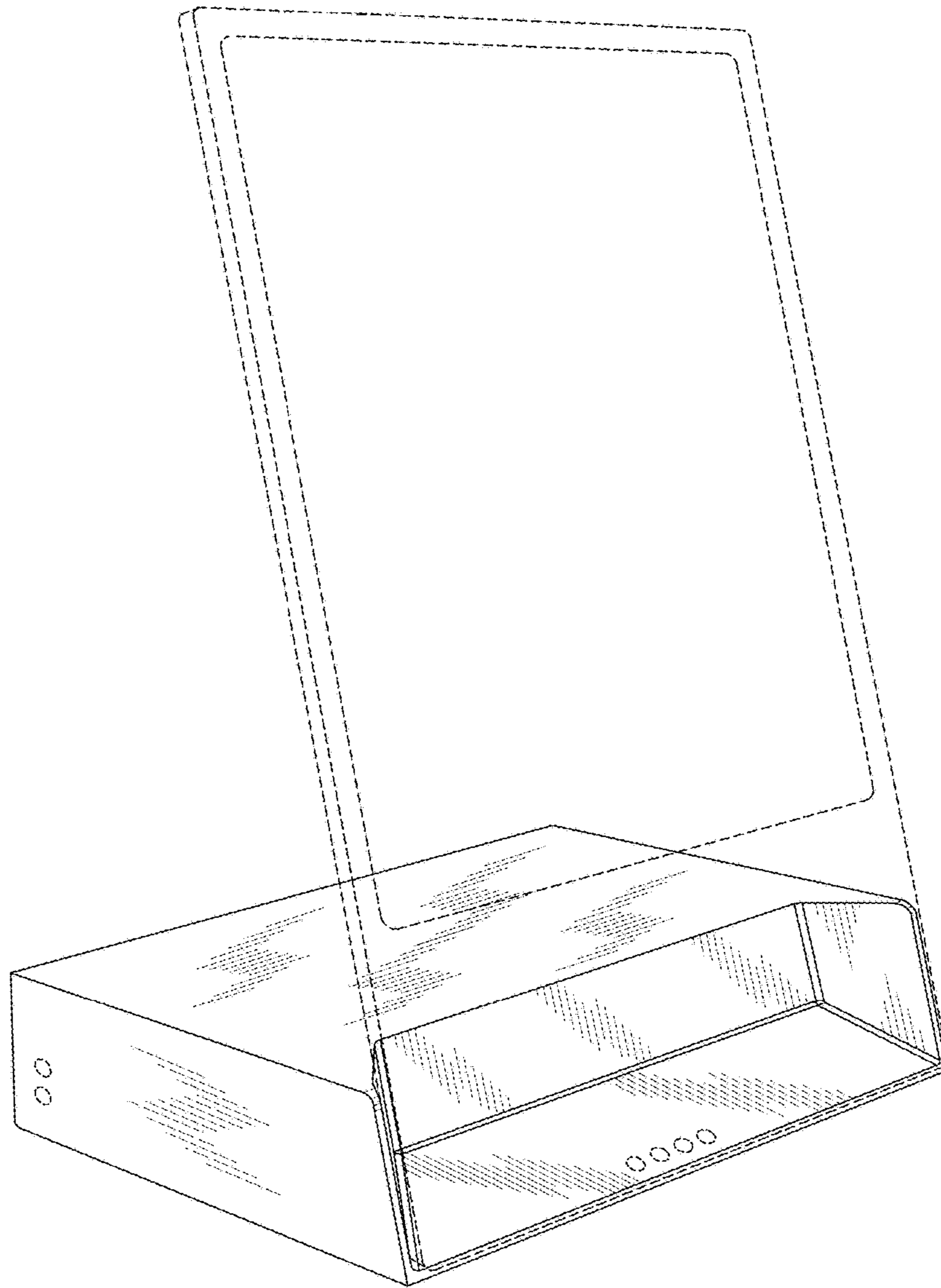


Fig. 8