



US00D845303S

(12) **United States Design Patent**
Laffon de Mazieres et al.

(10) **Patent No.:** **US D845,303 S**

(45) **Date of Patent:** **** Apr. 9, 2019**

(54) **ADAPTER**

(71) Applicant: **Amazon Technologies, Inc.**, Seattle, WA (US)

(72) Inventors: **Emmanuel J M Laffon de Mazieres**, Burlingame, CA (US); **Giles David Matthew McWilliam**, San Francisco, CA (US); **Christopher Green**, San Francisco, CA (US)

(73) Assignee: **Amazon Technologies, Inc.**, Seattle, WA (US)

(**) Term: **15 Years**

(21) Appl. No.: **29/588,340**

(22) Filed: **Dec. 20, 2016**

(51) **LOC (11) Cl.** **14-02**

(52) **U.S. Cl.**
USPC **D14/433**

(58) **Field of Classification Search**
USPC D14/432, 433, 358
CPC H01M 10/44
See application file for complete search history.

(56) **References Cited**

U.S. PATENT DOCUMENTS

D680,539 S *	4/2013	Kim	D14/433
D706,752 S *	6/2014	Myung	D14/240
D707,180 S *	6/2014	Yi	D13/147
D731,489 S *	6/2015	Langhammer	D14/433
D742,320 S *	11/2015	Akana	D13/147
D755,790 S *	5/2016	Salvatori	D14/433
D784,340 S *	4/2017	Laffon de Mazieres	D14/433
D788,112 S *	5/2017	Liao	D14/433
D789,123 S *	6/2017	Akana	D6/682.5
D789,935 S *	6/2017	Zheng	D14/433
D792,409 S *	7/2017	Shim	D14/435

D798,301 S *	9/2017	Kujawski	D14/433
D814,423 S *	4/2018	Akana	D13/147
D820,264 S *	6/2018	Lai	D14/433
10,014,095 B1 *	7/2018	McHatet	H01B 7/40
2007/0293079 A1 *	12/2007	Chao	H01R 13/6275 439/352
2014/0075051 A1 *	3/2014	Zadesky	G06F 13/122 710/3

OTHER PUBLICATIONS

Chinese Office Action dated Oct. 10, 2017 for Chinese design application No. 201730255771.X, a counterpart foreign application of design U.S. Appl. No. 29/588,340, 1 page.

* cited by examiner

Primary Examiner — Cynthia R Underwood

(74) *Attorney, Agent, or Firm* — Lee & Hayes, P.C.

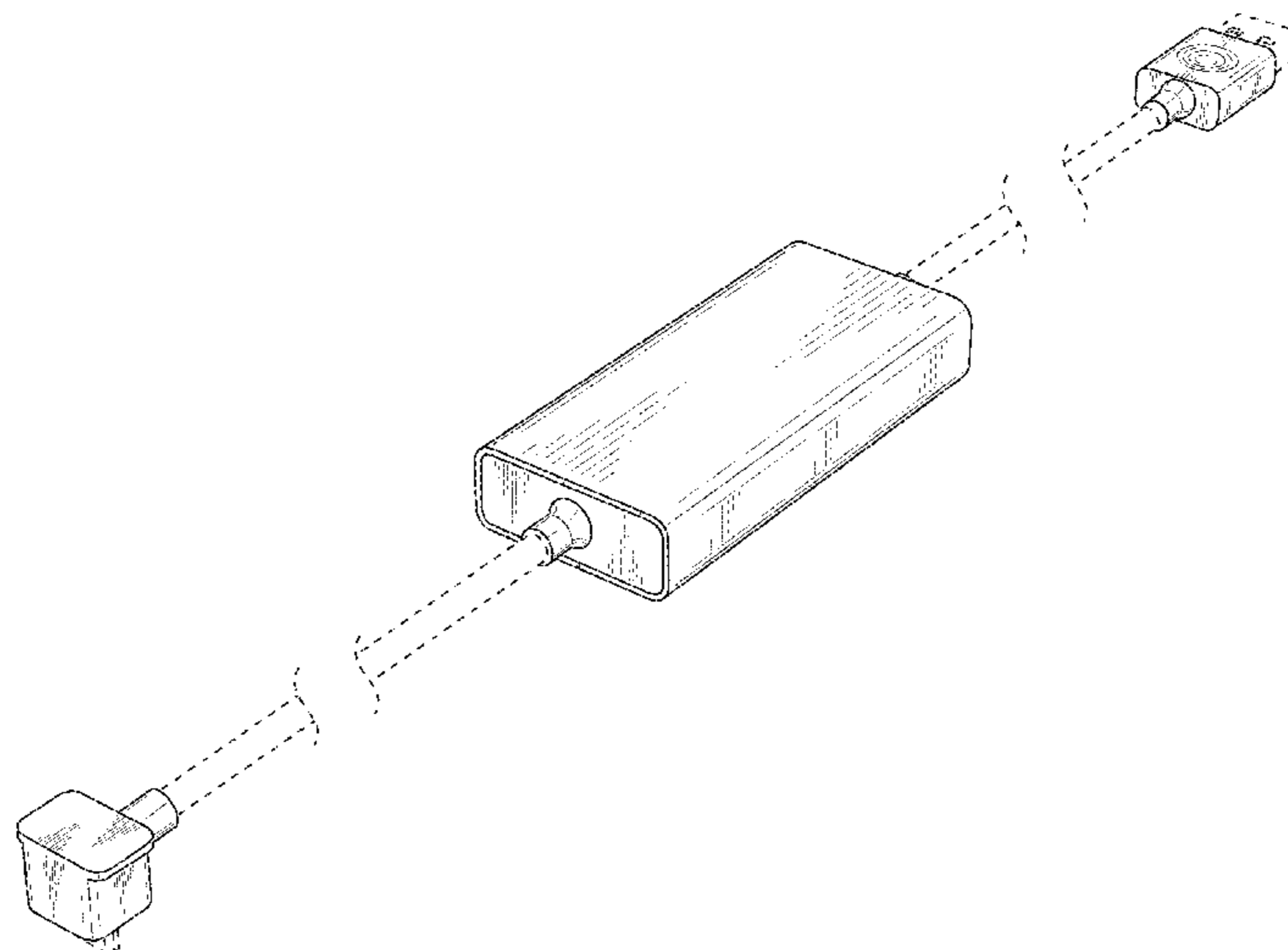
(57) **CLAIM**

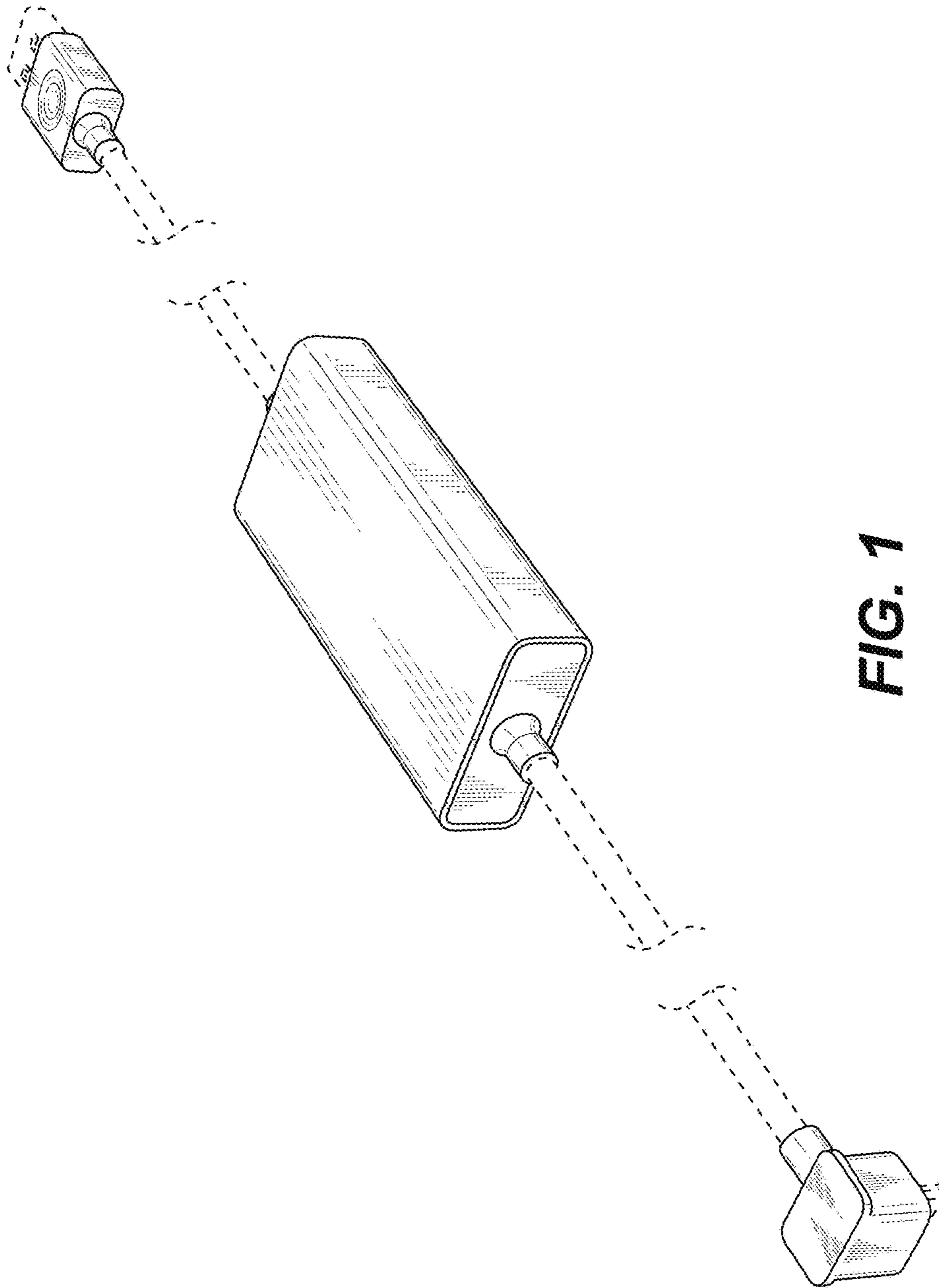
The ornamental design for an adapter, as shown and described.

DESCRIPTION

FIG. 1 is a top perspective view of an adapter;
FIG. 2 is a top view thereof;
FIG. 3 is a bottom view thereof;
FIG. 4 is a right-side view thereof;
FIG. 5 is a left-side view thereof;
FIG. 6 is a front view thereof;
FIG. 7 is a back view thereof;
FIG. 8 is a first enlarged cross-sectional view of the adapter taken along the line labeled FIG. 8 in FIG. 3; and,
FIG. 9 is a second enlarged cross-sectional view of the adapter taken along the line labeled FIG. 9 in FIG. 3.
The broken lines depict portions of the adapter which form no part of the claimed design.

1 Claim, 7 Drawing Sheets





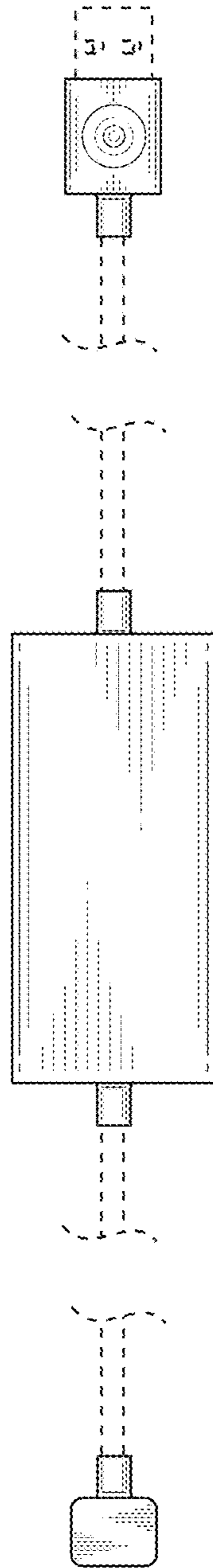


FIG. 2

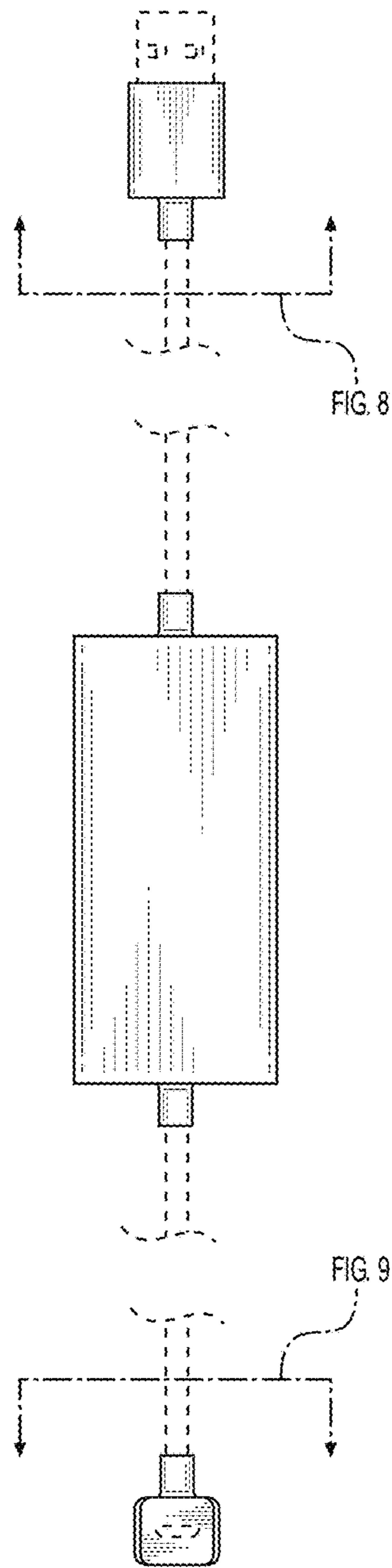


FIG. 3

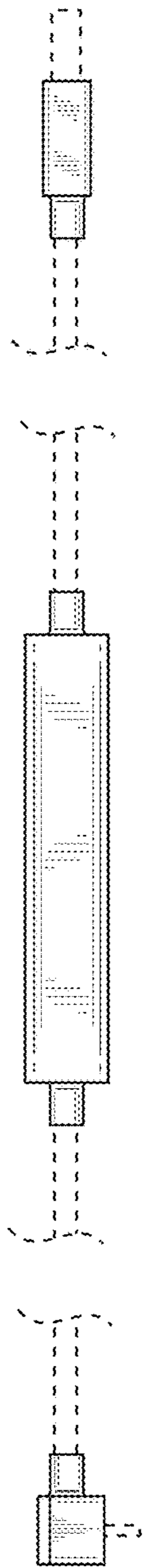


FIG. 4

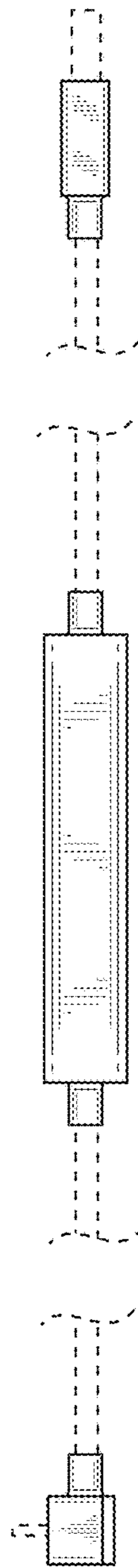


FIG. 5

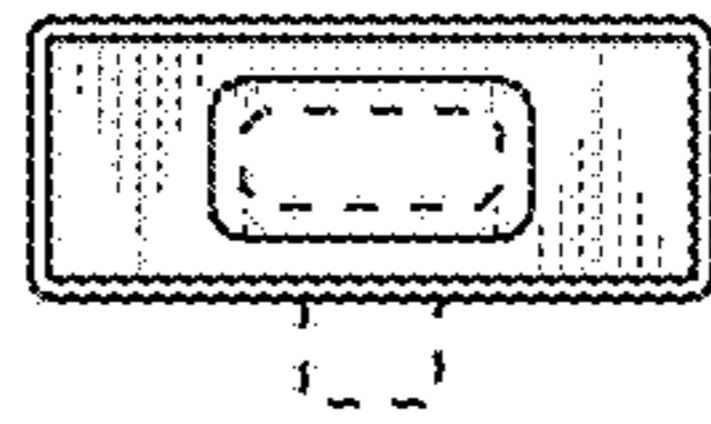


FIG. 6

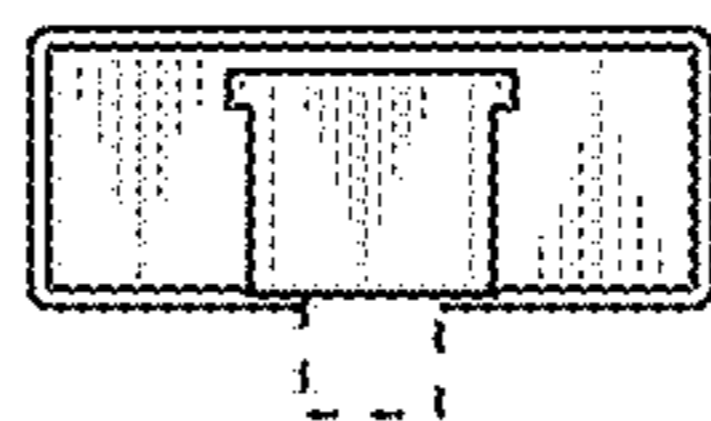


FIG. 7

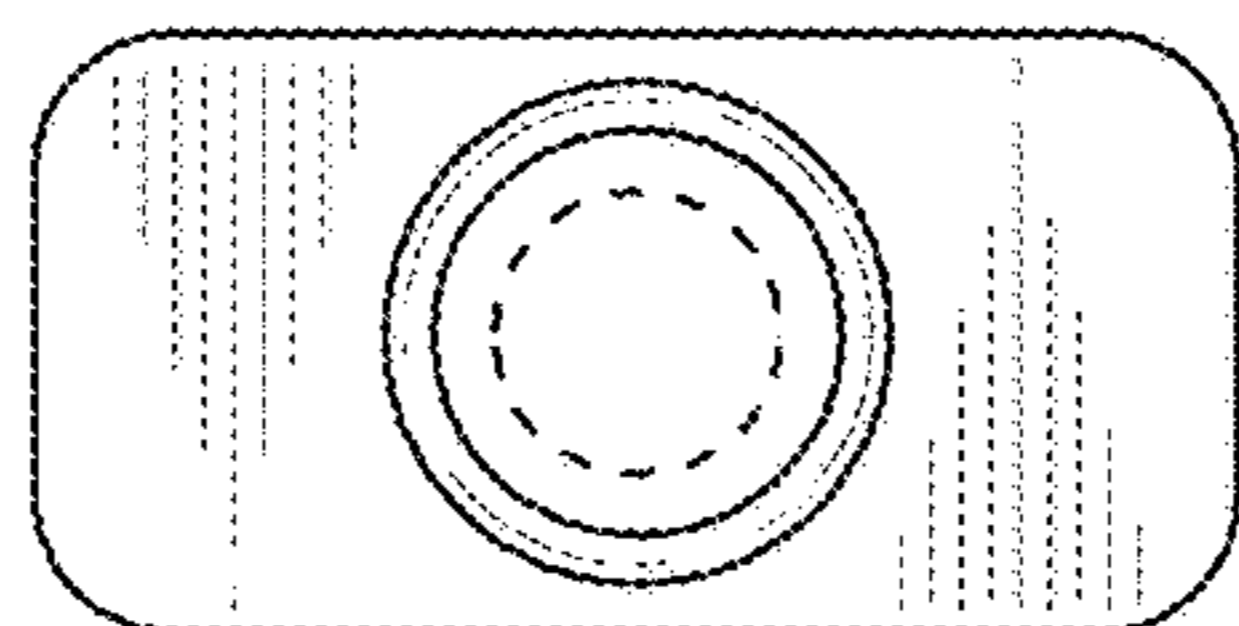


FIG. 8

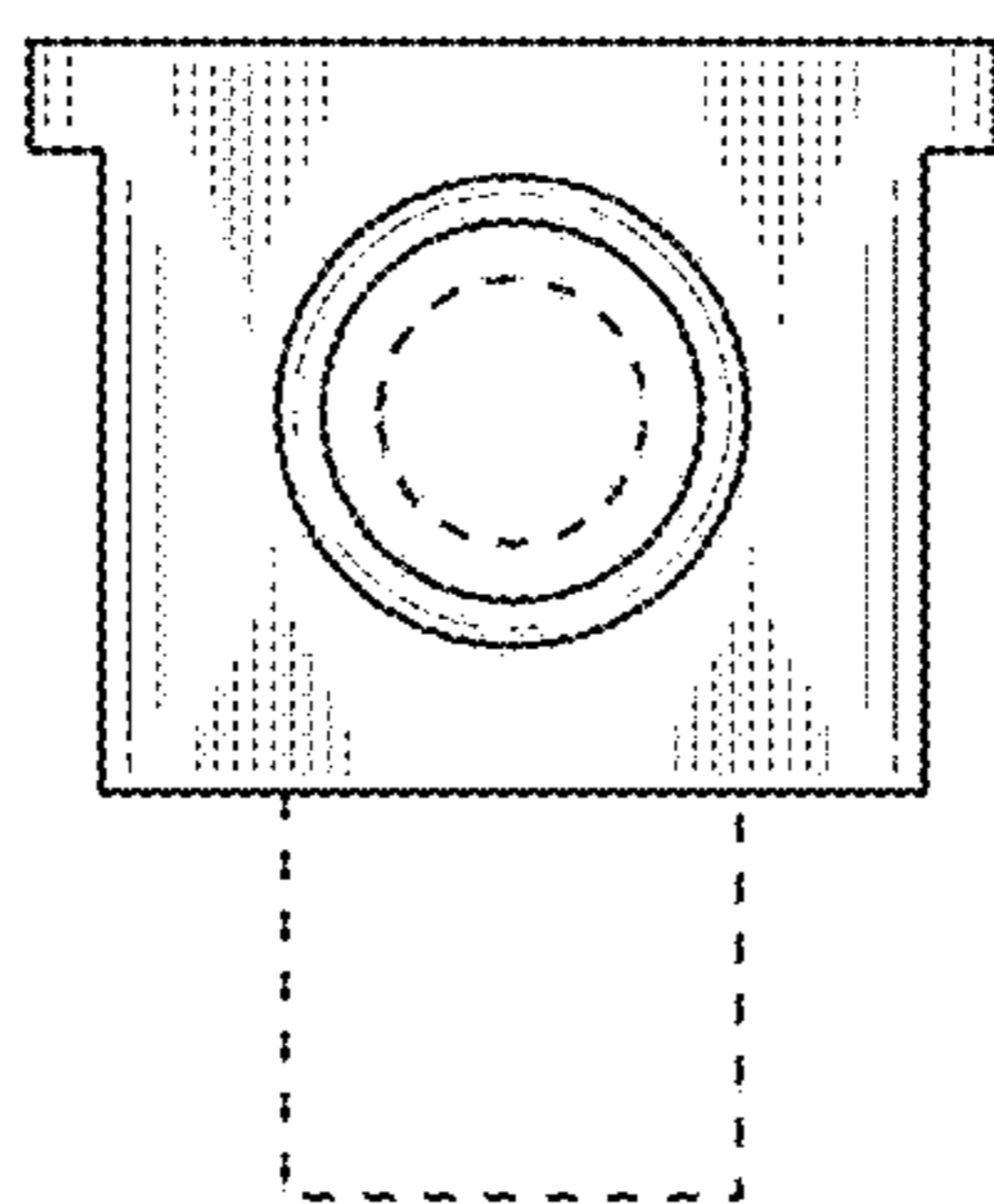


FIG. 9