



US00D845301S

(12) **United States Design Patent**  
**Chu et al.**

(10) **Patent No.:** **US D845,301 S**

(45) **Date of Patent:** **\*\* Apr. 9, 2019**

(54) **STYLUS**

(71) Applicants: **Yuan-Ping Chu**, Taipei (TW); **Tsai-Yu Lin**, Taipei (TW); **Jyh-Chyang Tzou**, Taipei (TW); **Chia-Shin Weng**, Taipei (TW); **Chia-Chi Lin**, Taipei (TW); **Wei-Hao Lan**, Taipei (TW)

(72) Inventors: **Yuan-Ping Chu**, Taipei (TW); **Tsai-Yu Lin**, Taipei (TW); **Jyh-Chyang Tzou**, Taipei (TW); **Chia-Shin Weng**, Taipei (TW); **Chia-Chi Lin**, Taipei (TW); **Wei-Hao Lan**, Taipei (TW)

(73) Assignee: **COMPAL ELECTRONICS, INC.**, Taipei (TW)

(\*\*) Term: **15 Years**

(21) Appl. No.: **29/615,964**

(22) Filed: **Aug. 31, 2017**

(51) **LOC (11) Cl.** ..... **14-02**

(52) **U.S. Cl.**  
USPC ..... **D14/411**

(58) **Field of Classification Search**  
USPC ..... D14/372, 496, 432, 371, 125, 126, 129, D14/299, 411; D16/300-342; 351/158, 351/153, 144; 345/7-9, 905; 455/344; 348/115, 53, 121, 739  
CPC ..... G02B 27/017; G06F 3/016; G06F 3/033; G06F 3/0317; G06F 3/03545; G06F 3/041; G06K 9/222

See application file for complete search history.

(56) **References Cited**

**U.S. PATENT DOCUMENTS**

8,405,641 B2 3/2013 Tseng  
D724,086 S \* 3/2015 Schoenert ..... D14/411  
D772,230 S \* 11/2016 Lee ..... D14/411  
D797,741 S \* 9/2017 Cebe ..... D14/411

D811,400 S \* 2/2018 Nishizawa ..... D14/411  
D811,401 S \* 2/2018 Lehman ..... D14/411  
D812,057 S \* 3/2018 Lehman ..... D14/411  
D814,466 S \* 4/2018 Saari ..... D14/383  
D825,566 S \* 8/2018 Peterson ..... D14/411  
D832,255 S \* 10/2018 Jung ..... D14/411  
D832,840 S \* 11/2018 Shi ..... D14/411

**FOREIGN PATENT DOCUMENTS**

CN 201260282 6/2009  
TW 1439886 6/2014

\* cited by examiner

*Primary Examiner* — Austin Murphy

(74) *Attorney, Agent, or Firm* — JCIPRNET

(57) **CLAIM**

The ornamental design for a stylus, as shown and described.

**DESCRIPTION**

FIG. 1 is a perspective view of a stylus showing our new design;

FIG. 2 is a front view thereof;

FIG. 3 is a rear view thereof;

FIG. 4 is a left side view thereof;

FIG. 5 is a right side view thereof;

FIG. 6 is a top view thereof;

FIG. 7 is a bottom view thereof;

FIG. 8 is a perspective view of a stylus showing the pen barrel is moved;

FIG. 9 is a front view thereof;

FIG. 10 is a rear view thereof;

FIG. 11 is a left side view thereof;

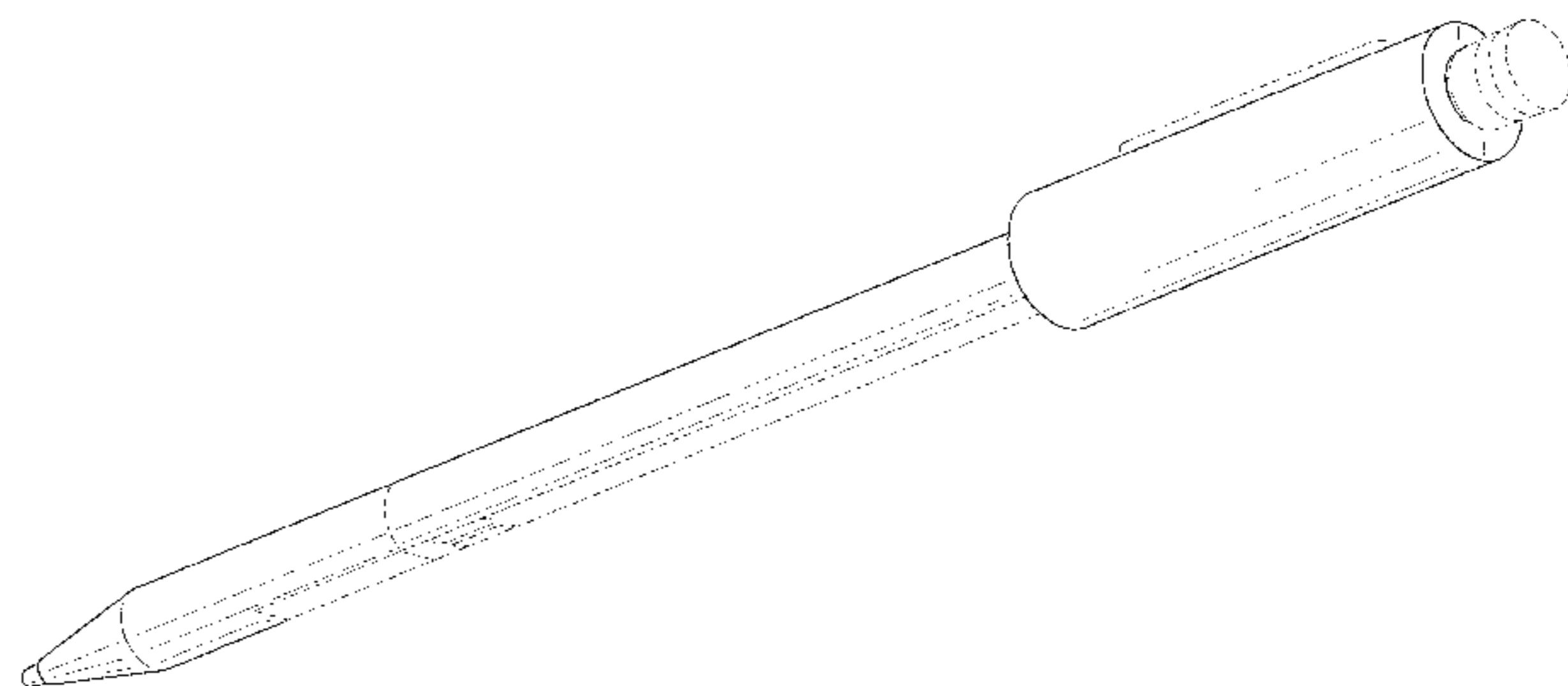
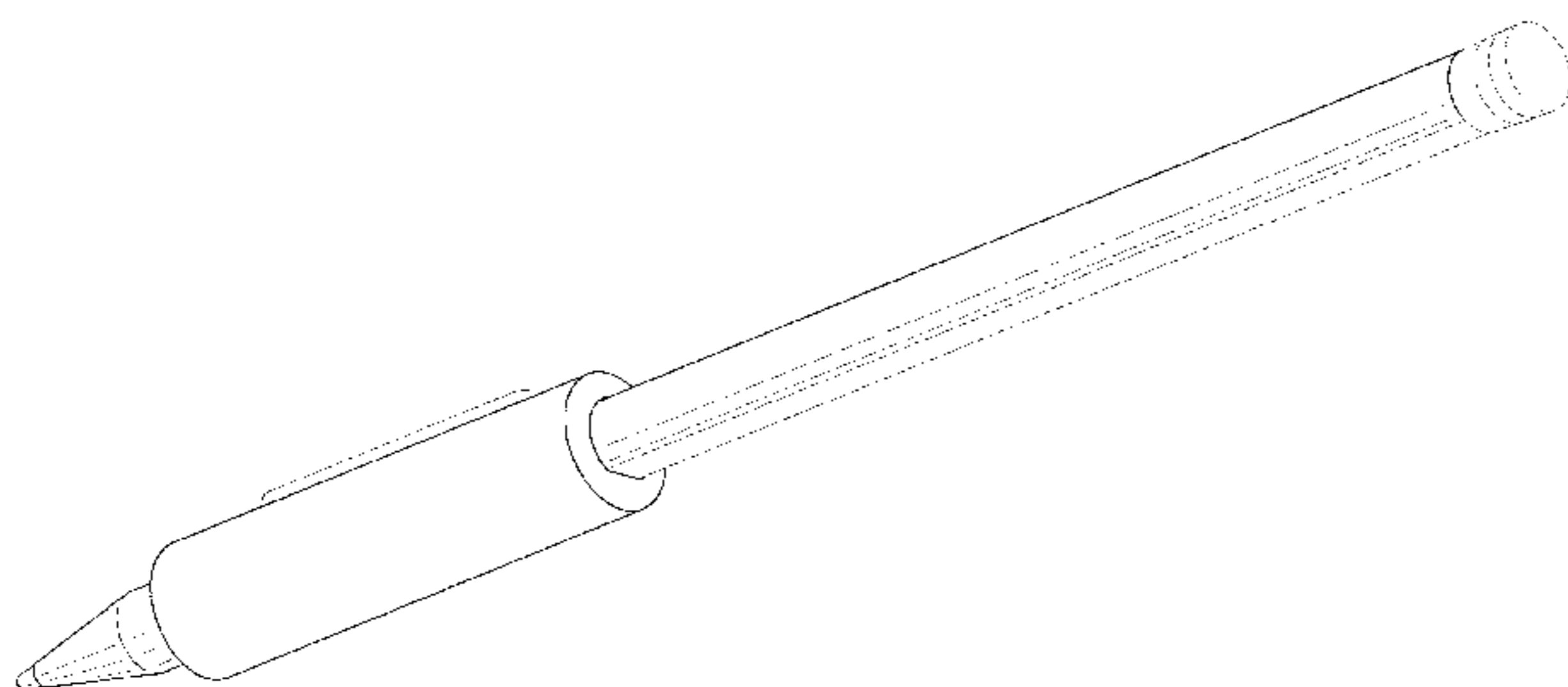
FIG. 12 is a right side view thereof;

FIG. 13 is a top view thereof; and,

FIG. 14 is a bottom view thereof.

The dashed broken line portions of the stylus represent unclaimed portions of the claimed design and form no part thereof.

**1 Claim, 8 Drawing Sheets**



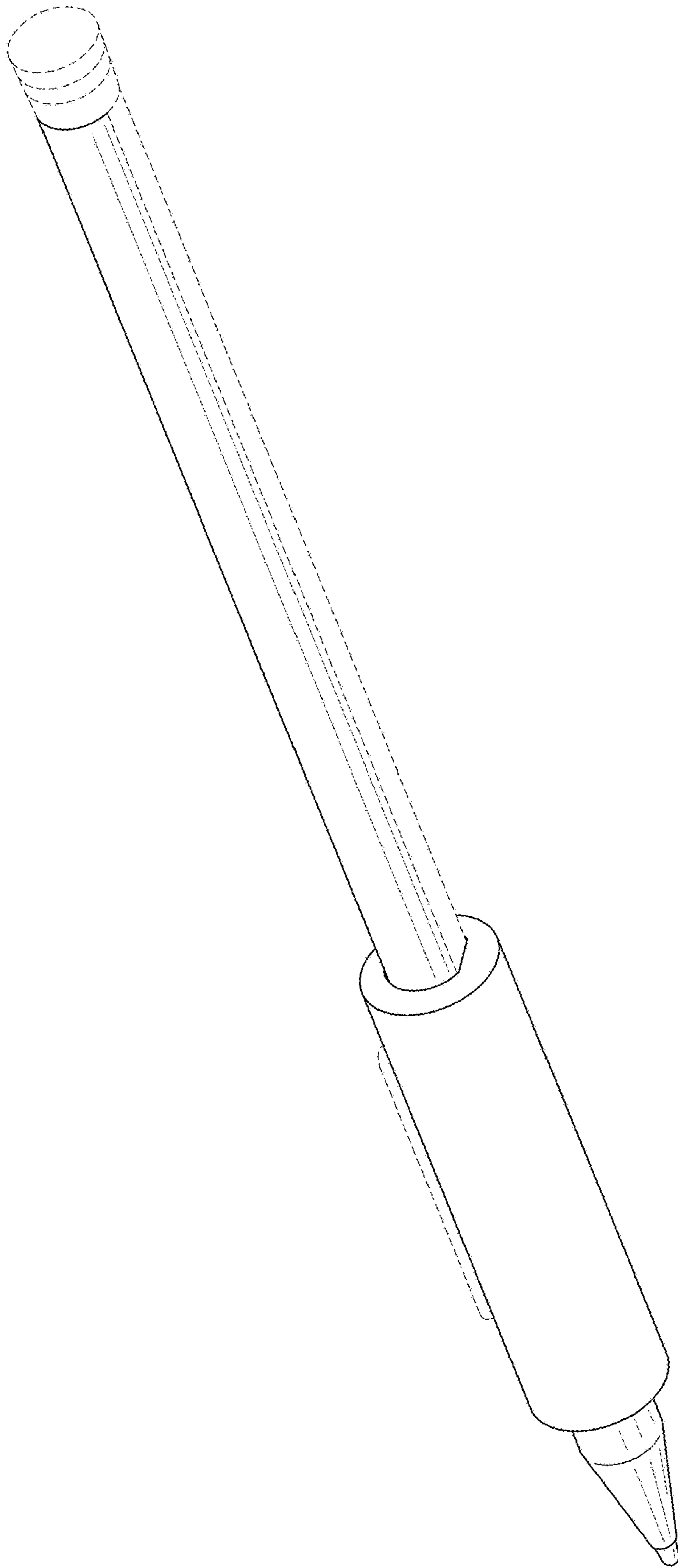


FIG. 1

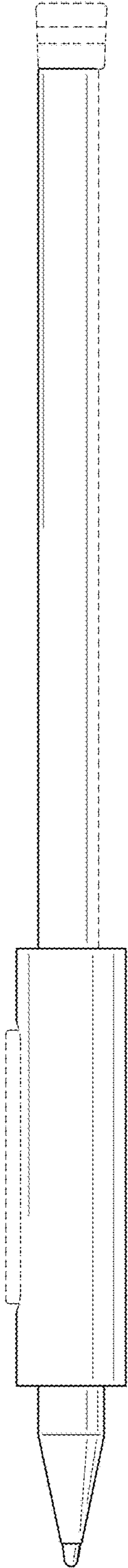


FIG. 2

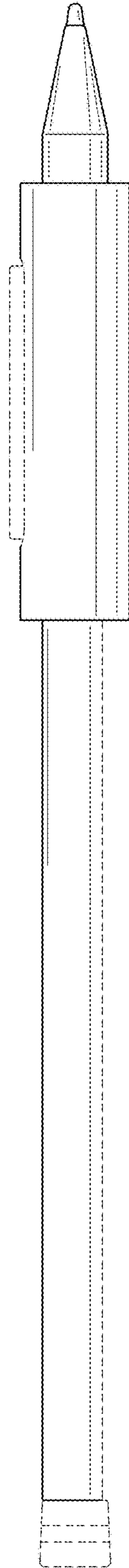


FIG. 3

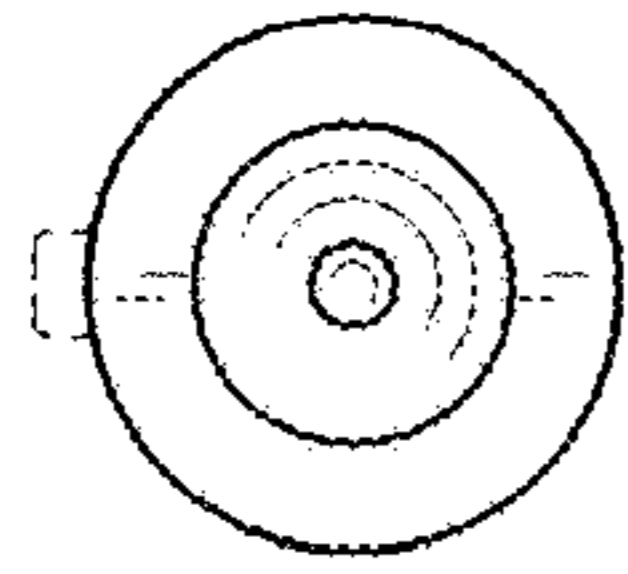


FIG. 4

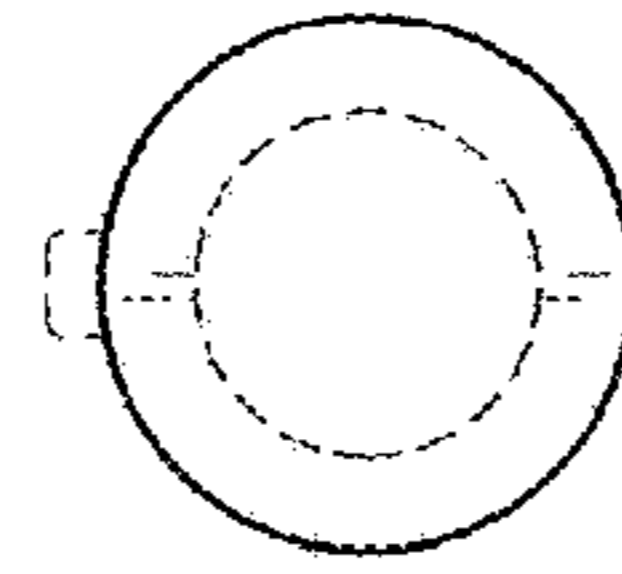


FIG. 5

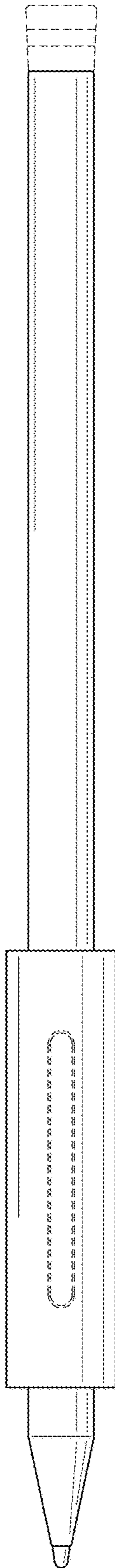


FIG. 6

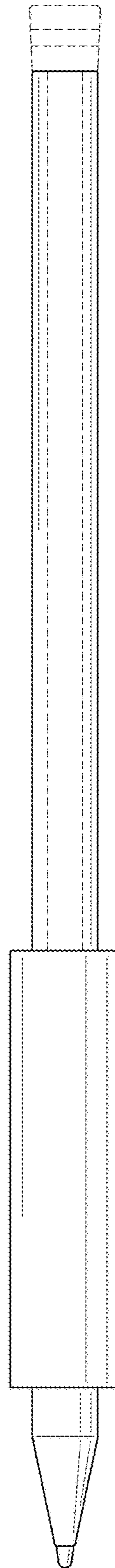


FIG. 7

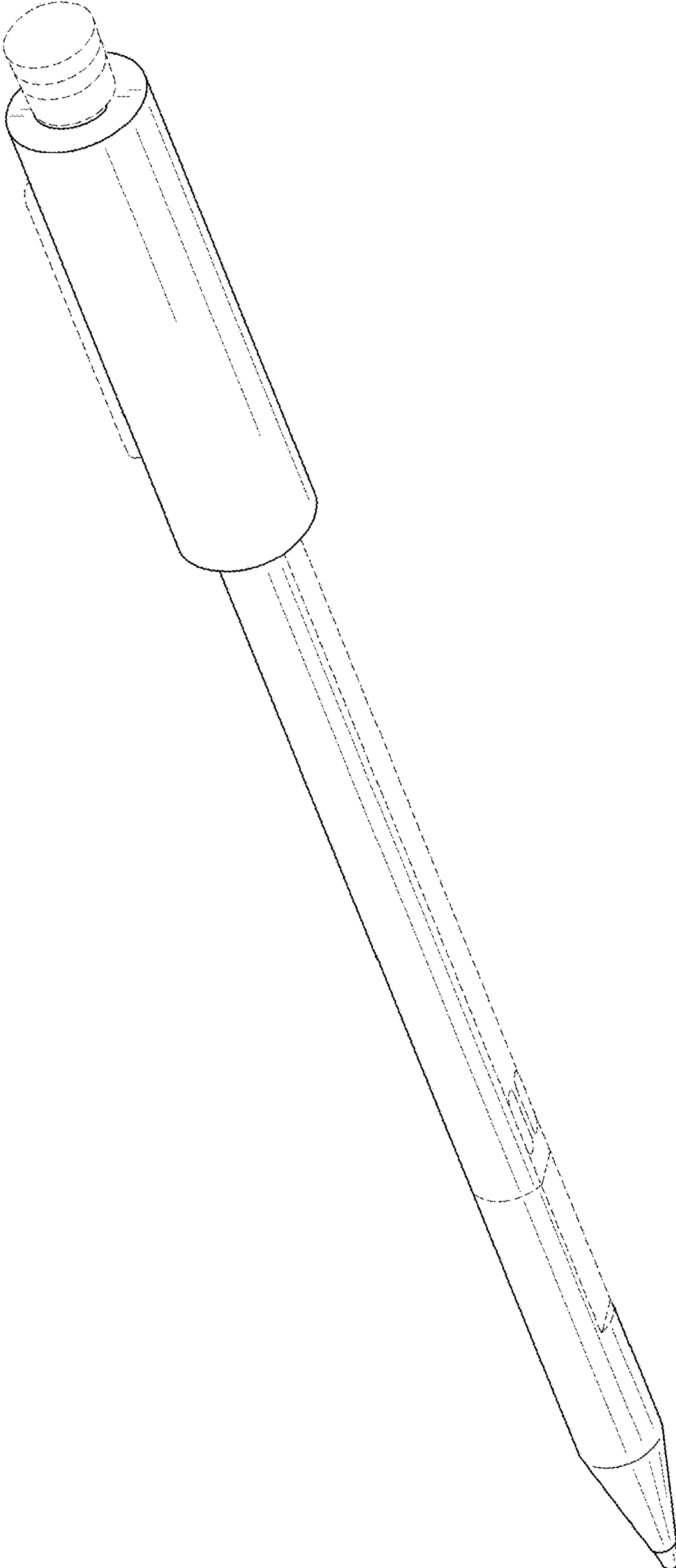


FIG. 8

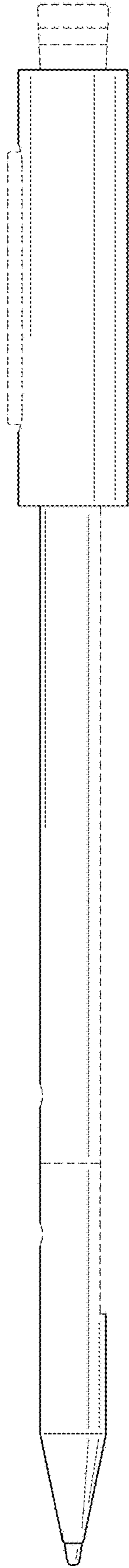


FIG. 9

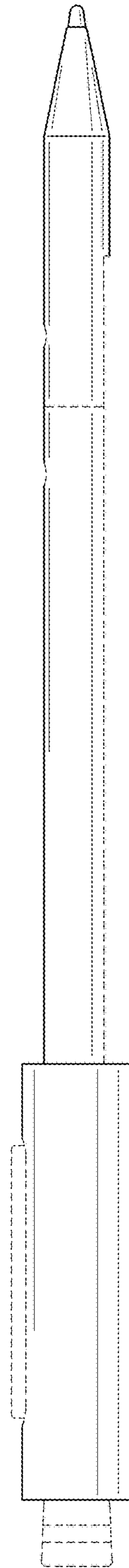


FIG. 10



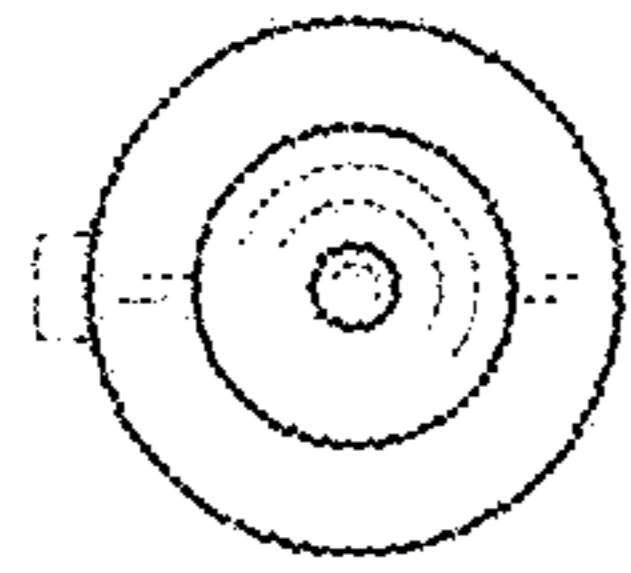


FIG. 11

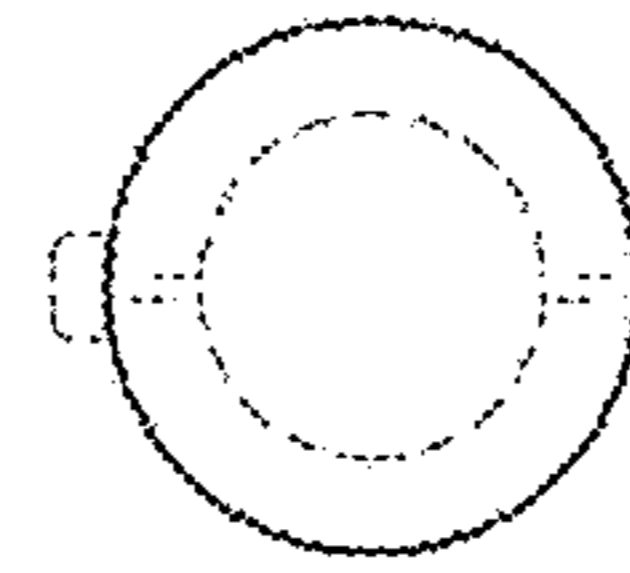


FIG. 12



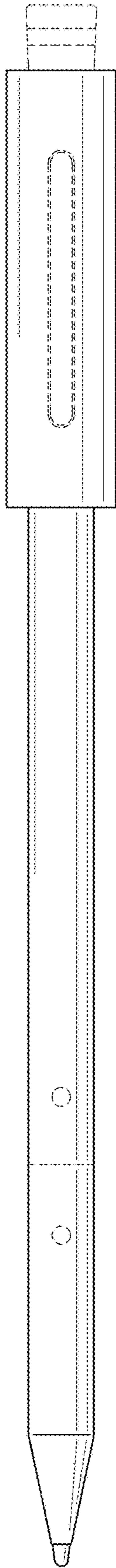


FIG. 13

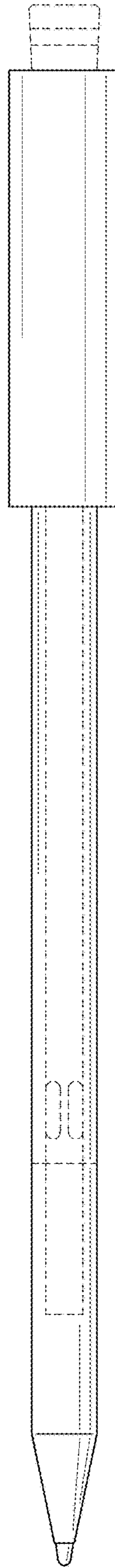


FIG. 14