



US00D845299S

(12) **United States Design Patent**
Chong et al.

(10) **Patent No.:** **US D845,299 S**
(45) **Date of Patent:** **** Apr. 9, 2019**

- (54) **MOUSE AND ADAPTER**
- (71) Applicant: **RAZER (ASIA-PACIFIC) PTE. LTD.**,
Singapore (SG)
- (72) Inventors: **Boon Sim Chong**, Singapore (SG); **Ee Fong Lee**, Singapore (SG)
- (73) Assignee: **RAZER (ASIA-PACIFIC) PTE. LTD.**,
Singapore (SG)
- (**) Term: **15 Years**
- (21) Appl. No.: **29/648,187**
- (22) Filed: **May 18, 2018**

Related U.S. Application Data

- (62) Division of application No. 29/600,847, filed on Apr. 17, 2017, now Pat. No. Des. 827,647.
- (51) **LOC (11) Cl.** **04-02**
- (52) **U.S. Cl.**
USPC **D14/402**
- (58) **Field of Classification Search**
USPC D14/402-411, 356, 388, 389, 383-385,
D14/417, 426; 345/156-167; 463/36-38;
358/471, 473; 273/148 B
CPC G06F 3/03543; G06F 2203/0333; G06F
3/039; G06F 3/038; G06F 2203/0384
See application file for complete search history.

(56) **References Cited**

U.S. PATENT DOCUMENTS

- D326,848 S 6/1992 Shiraiishi
- D331,231 S 11/1992 Yang
- D354,484 S 1/1995 Skaggs
- D424,550 S 5/2000 Su
- D590,398 S 4/2009 Kim
- D606,046 S * 12/2009 Bradford D14/218
- D614,189 S * 4/2010 Inoue D14/402

- 7,737,946 B2 * 6/2010 Yen G06F 3/039
345/159
- 7,777,723 B2 * 8/2010 Namiki G06F 3/03543
248/118
- D640,257 S 6/2011 Lee
- D654,918 S 2/2012 Cheng
- D663,730 S 7/2012 Kim
- D680,113 S 4/2013 Li
- D688,663 S 8/2013 Widiaman
- D709,883 S 7/2014 Moon
- D711,380 S 8/2014 Urban
- D716,811 S * 11/2014 Seppo D14/402
- D725,111 S 3/2015 Jeong
- D753,114 S * 4/2016 Osterhout D14/402
- D756,363 S * 5/2016 Mathis D14/402
- D762,645 S * 8/2016 Cavallaro D14/402
- D762,646 S 8/2016 Chong
- D768,633 S 10/2016 Helwig
- D771,046 S 11/2016 Jost
- D782,480 S 3/2017 Nalbandian
- D792,882 S 7/2017 Helwig

(Continued)

Primary Examiner — Austin Murphy

(74) *Attorney, Agent, or Firm* — Polsinelli PC

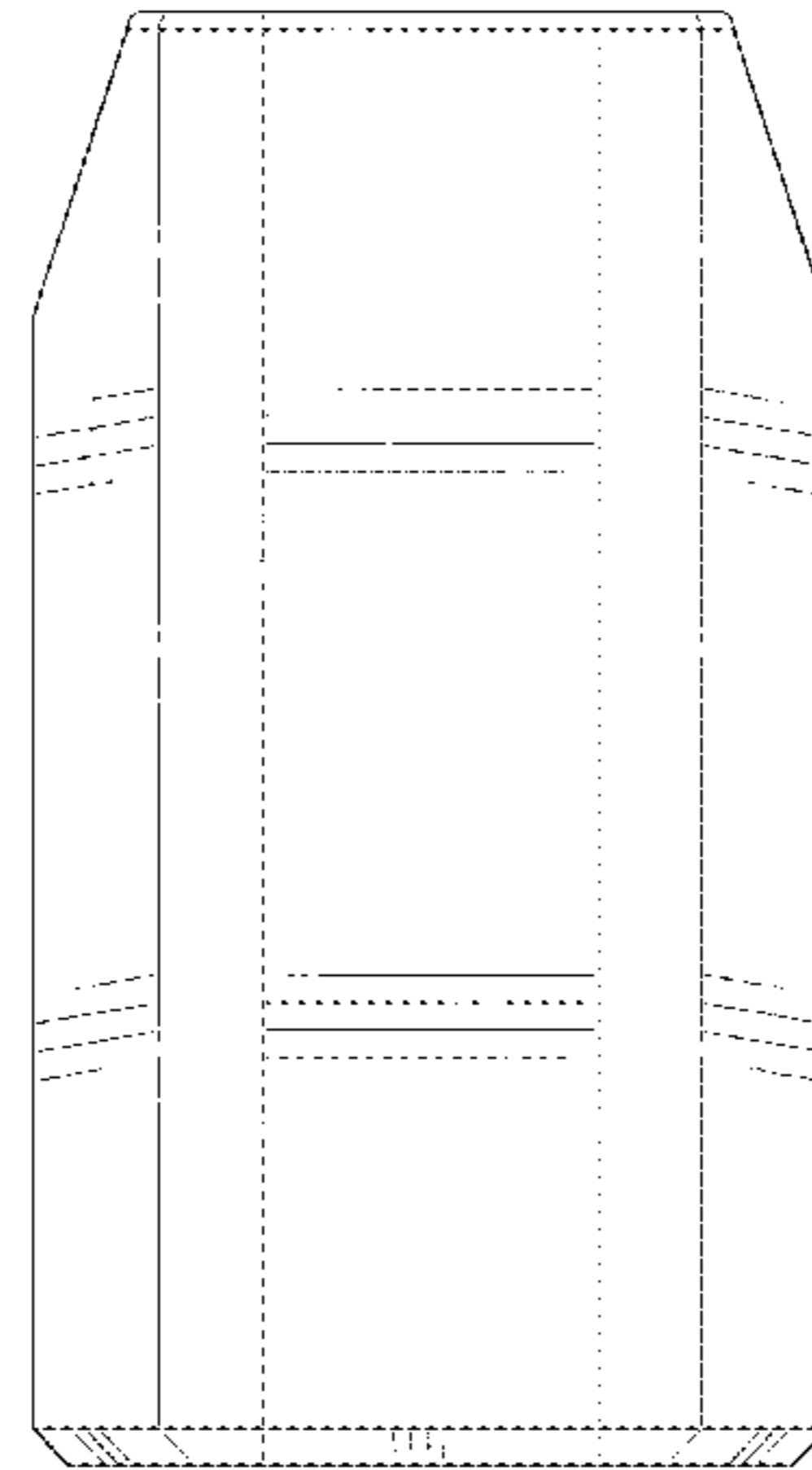
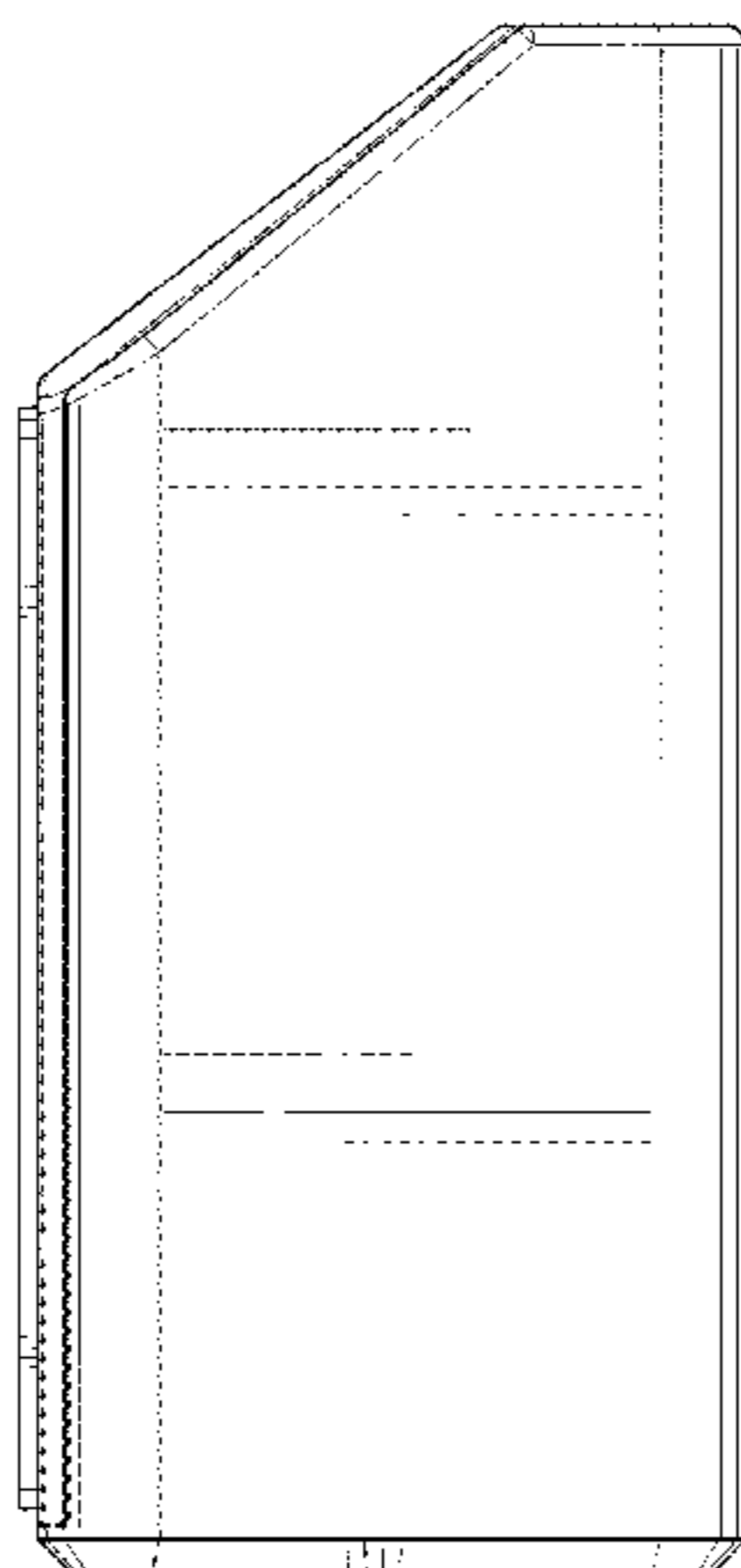
(57) **CLAIM**

We claim the ornamental design for a mouse and adapter, as shown and described.

DESCRIPTION

FIG. 1 is a perspective view of an embodiment of the mouse and adapter, showing only the adapter;
 FIG. 2 is a front elevational view thereof;
 FIG. 3 is a rear elevational view thereof;
 FIG. 4 is a right side elevational view thereof;
 FIG. 5 is a left side elevational view thereof;
 FIG. 6 is a top plan view thereof; and,
 FIG. 7 is a bottom plan view thereof.
 Broken lines are for illustrating portions of the mouse and adapter which form no part of the claimed design.

1 Claim, 7 Drawing Sheets



(56)

References Cited

U.S. PATENT DOCUMENTS

D793,393 S	8/2017	Jeong	
D813,869 S	3/2018	Hu	
D816,675 S *	5/2018	Kaiya	D14/402
D820,262 S	6/2018	Shayani	

* cited by examiner

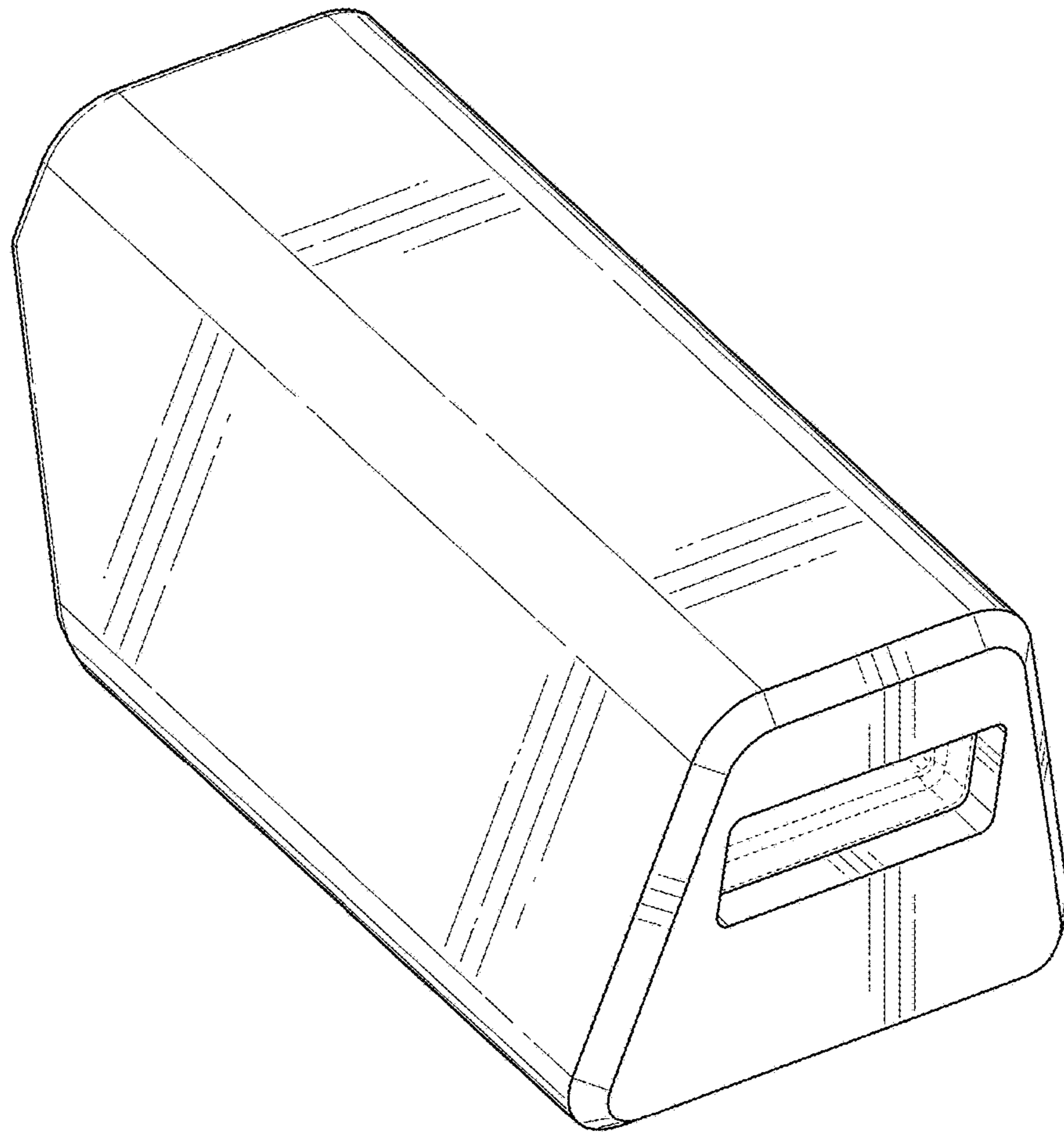


FIG. 1

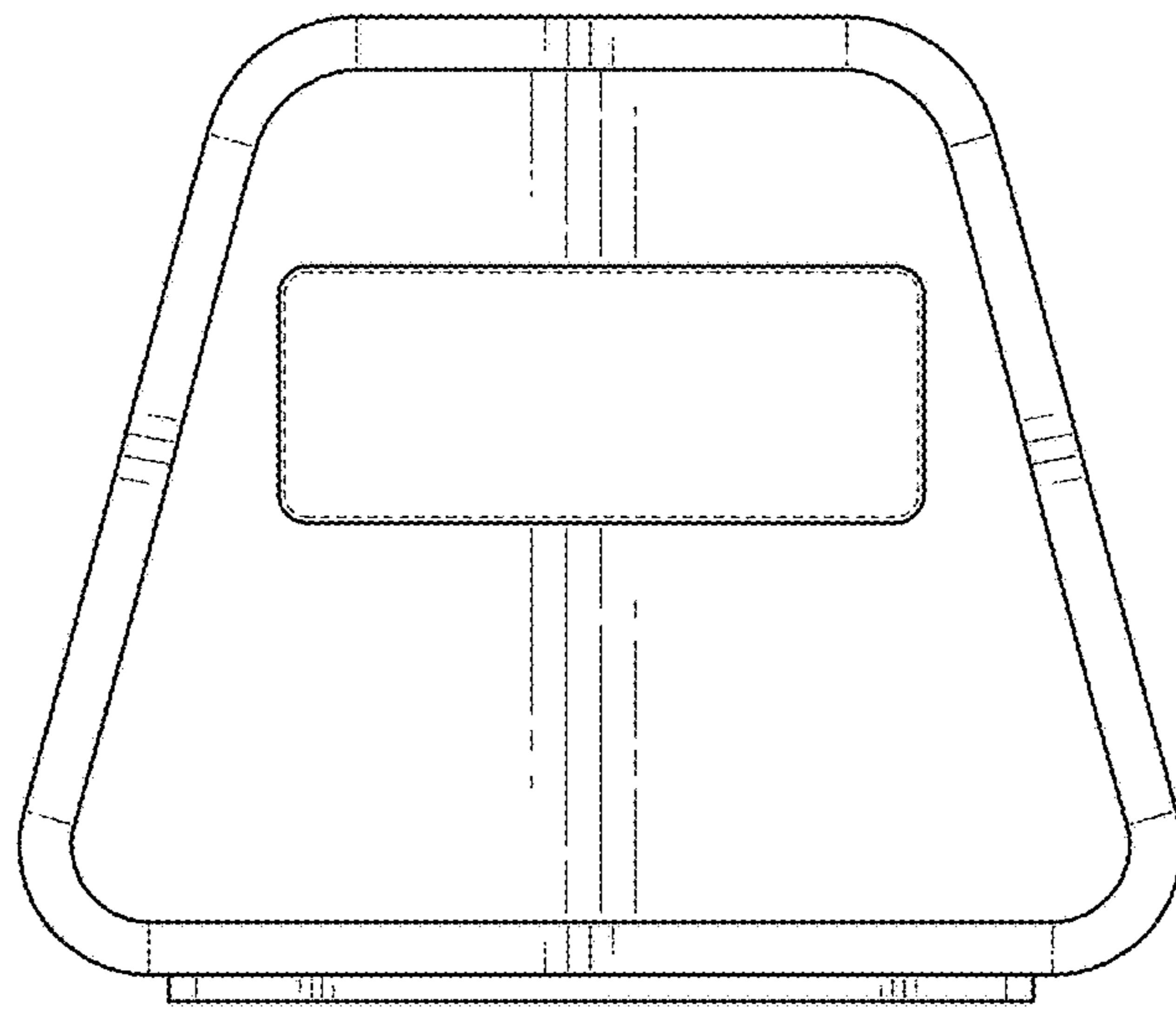


FIG. 2

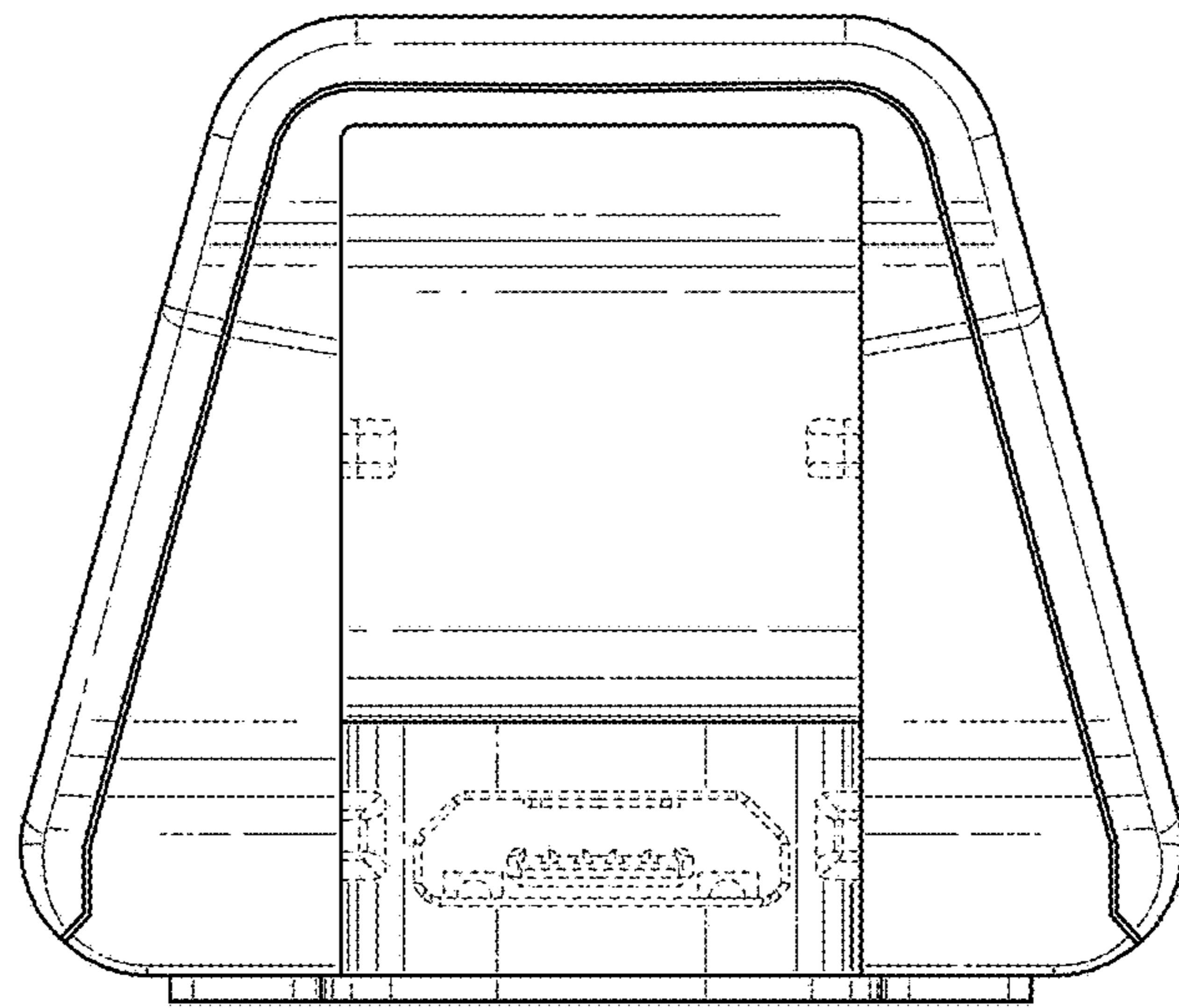


FIG. 3

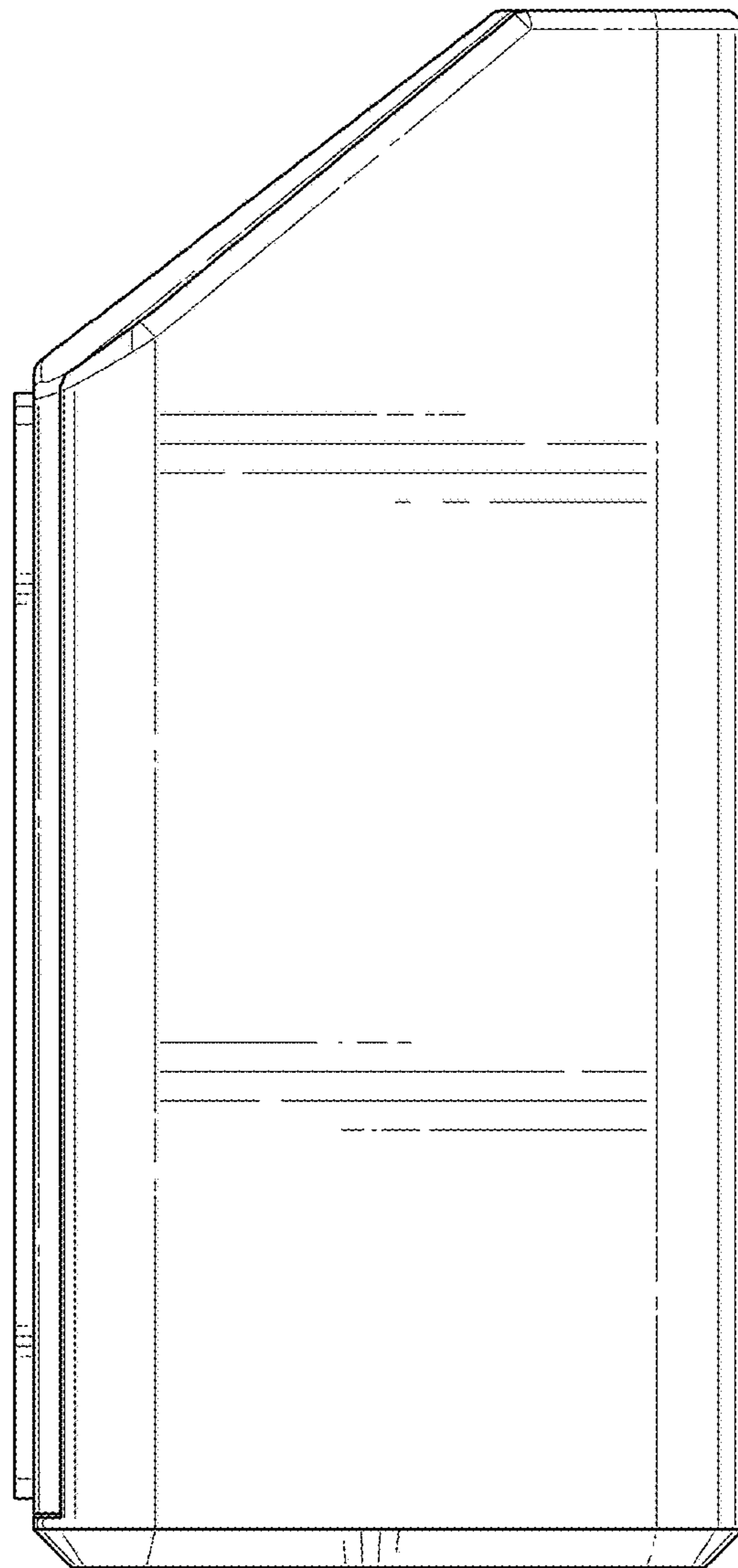


FIG. 4

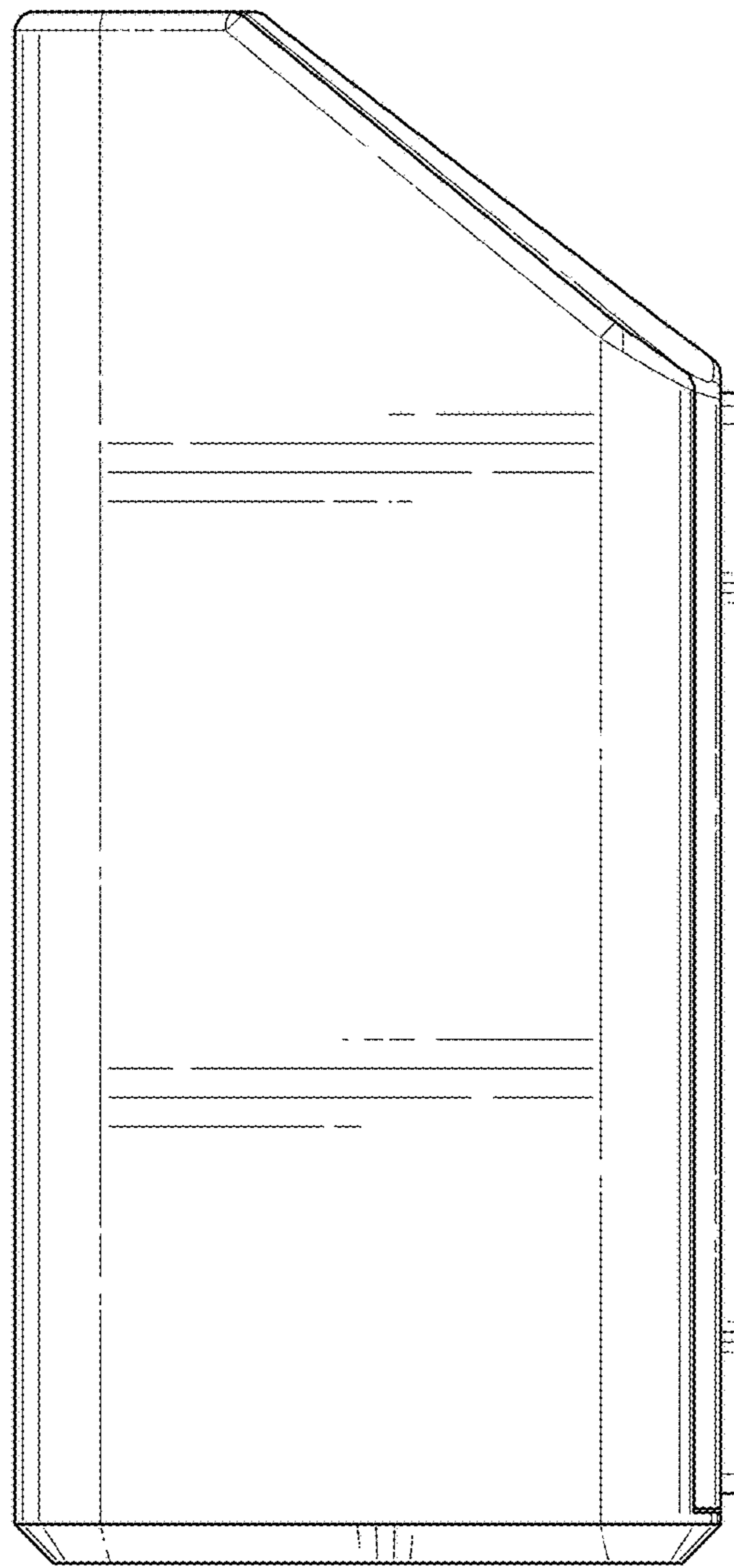


FIG. 5

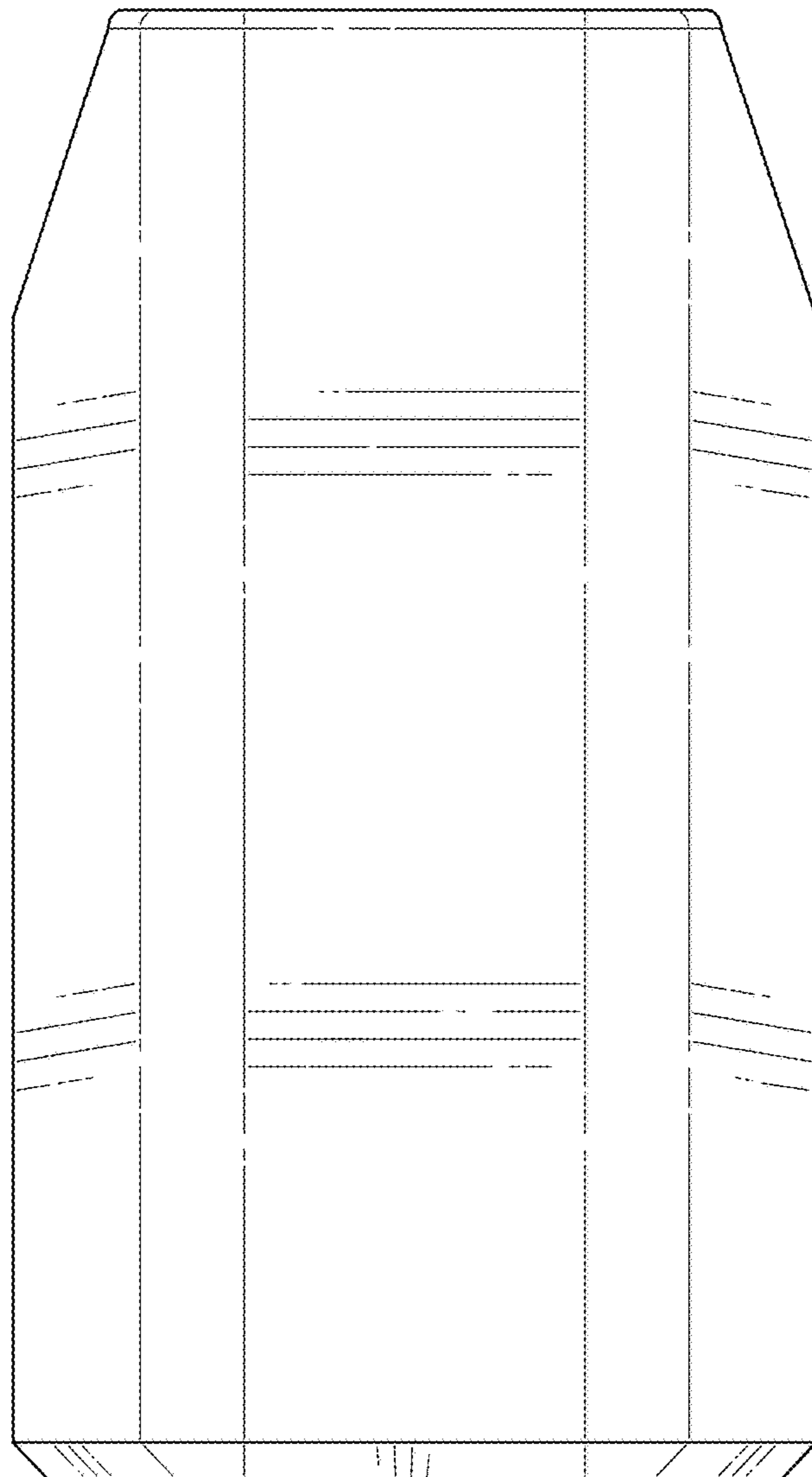


FIG. 6

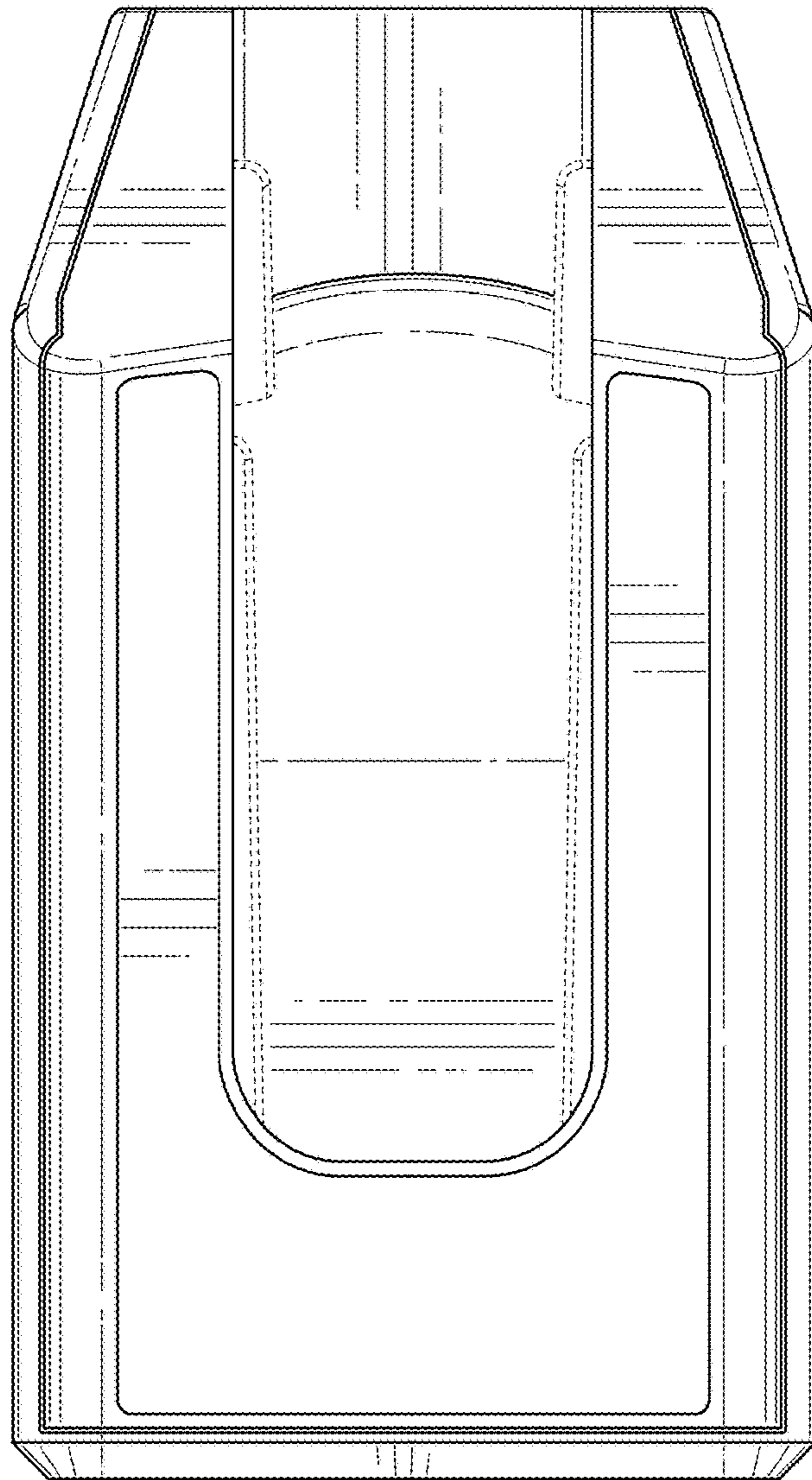


FIG. 7