



US00D845296S

(12) **United States Design Patent**
Natsume et al.

(10) **Patent No.:** **US D845,296 S**
(45) **Date of Patent:** **** Apr. 9, 2019**

(54) **HEAD MOUNTED AUDIO-VISUAL DISPLAY SYSTEM**

(71) Applicant: **MAGIC LEAP, INC.**, Plantation, FL (US)

(72) Inventors: **Shigeru Natsume**, Weston, FL (US); **Bradley Fraser**, Miami Beach, FL (US); **Haney Awad**, Fort Lauderdale, FL (US); **Sebastian Gonzalo Arrieta Günther**, Fort Lauderdale, FL (US); **Masamune Kaji**, Plantation, FL (US); **William Wheeler**, Los Angeles, CA (US)

(73) Assignee: **Magic Leap, Inc.**, Plantation, FL (US)

(**) Term: **15 Years**

(21) Appl. No.: **29/621,011**

(22) Filed: **Oct. 3, 2017**

(51) **LOC (11) Cl.** **14-02**

(52) **U.S. Cl.**
USPC **D14/372**

(58) **Field of Classification Search**
USPC D14/372, 496, 432, 371, 125, 126, 129, D14/299; D16/300–342; 351/158, 153,
(Continued)

(56) **References Cited**

U.S. PATENT DOCUMENTS

D746,818 S * 1/2016 Cho D14/372
D753,211 S * 4/2016 DiChiara D16/309
(Continued)

OTHER PUBLICATIONS

Notice of Allowance dated Jul. 31, 2018 for Design U.S. Appl. No. 29/650,868, 12 pages.

(Continued)

Primary Examiner — Austin Murphy

(74) *Attorney, Agent, or Firm* — Vista IP Law Group LLP

(57) **CLAIM**

We claim the ornamental design for a head mounted audio-visual display system, as shown and described.

DESCRIPTION

FIG. 1 is a left front perspective view of a head mounted audio-visual display system according to a first embodiment in a closed configuration showing our design;
FIG. 2 is a right front perspective view of the first embodiment in the closed configuration;
FIG. 3 is a right rear perspective view of the first embodiment in the closed configuration;
FIG. 4 is a left rear perspective view of the first embodiment in the closed configuration;
FIG. 5 is a front view of the first embodiment in the closed configuration;
FIG. 6 is a rear view of the first embodiment in the closed configuration;
FIG. 7 is a right side view of the first embodiment in the closed configuration;
FIG. 8 is a left side view of the first embodiment in the closed configuration;
FIG. 9 is a top view of the first embodiment in the closed configuration;
FIG. 10 is a bottom view of the first embodiment in the closed configuration;
FIG. 11 is a left front perspective view of the first embodiment in an open configuration;
FIG. 12 is a right front perspective view of the first embodiment in the open configuration;
FIG. 13 is a left side view of the first embodiment in the open configuration;
FIG. 14 is a top view of the first embodiment in the open configuration;
FIG. 15 is a rear view of the first embodiment in the open configuration;
FIG. 16 is a left front perspective view of a head mounted audio-visual display system according to a second embodiment in a closed configuration showing our design;

(Continued)

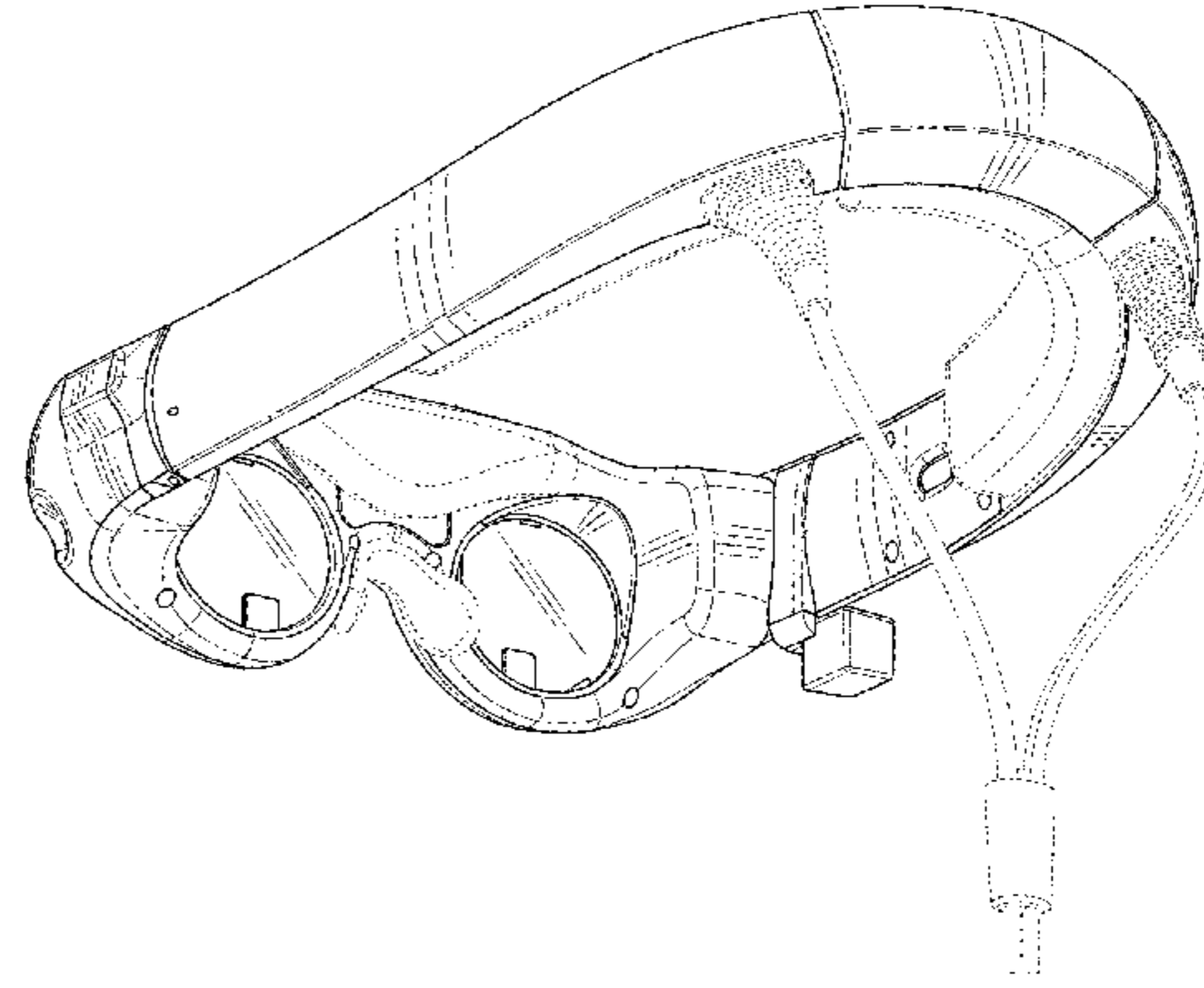
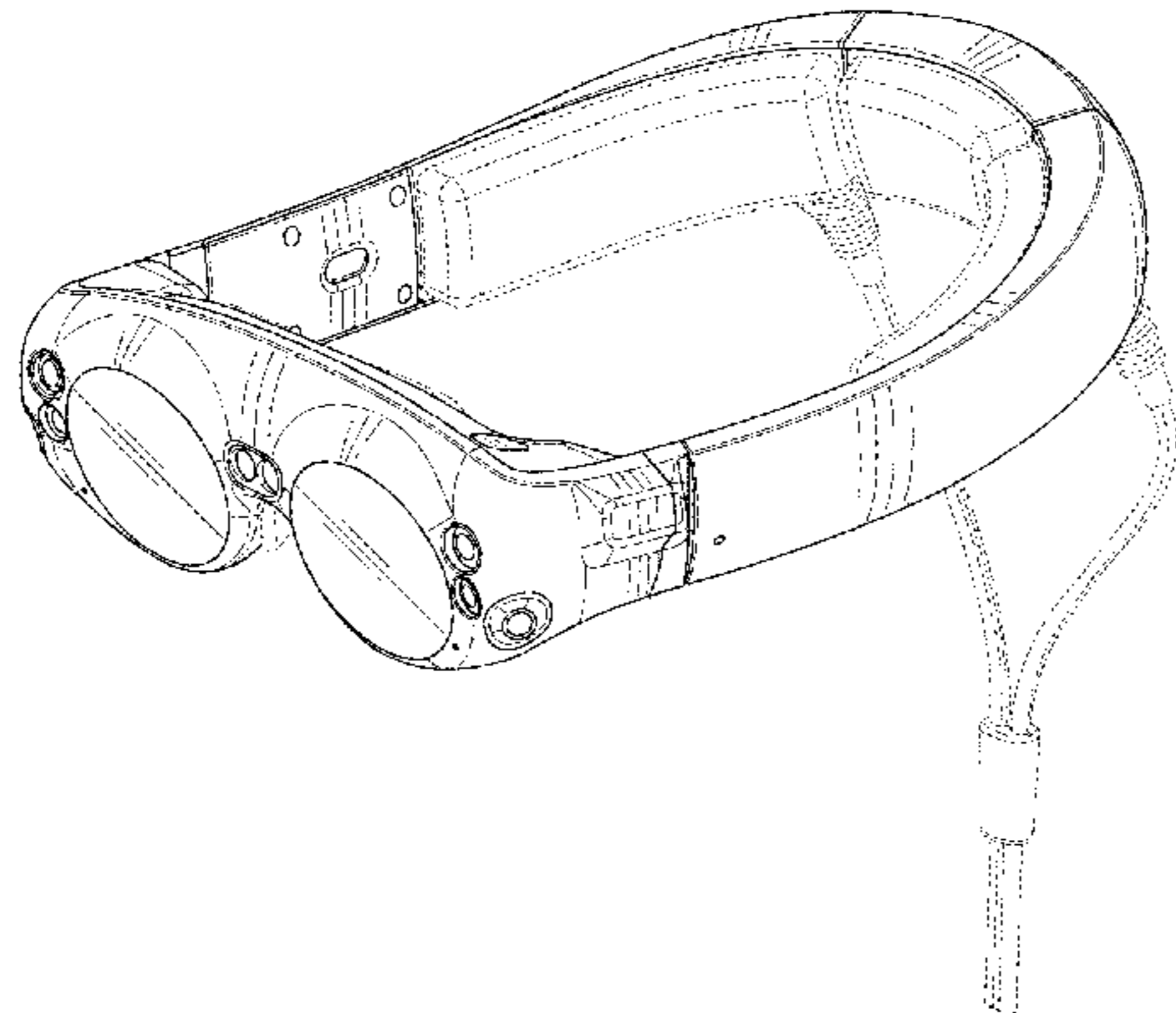


FIG. 17 is a right front perspective view of the second embodiment in the closed configuration;
 FIG. 18 is a right rear perspective view of the second embodiment in the closed configuration;
 FIG. 19 is a left rear perspective view of the second embodiment in the closed configuration;
 FIG. 20 is a front view of the second embodiment in the closed configuration;
 FIG. 21 is a rear view of the second embodiment in the closed configuration;
 FIG. 22 is a right side view of the second embodiment in the closed configuration;
 FIG. 23 is a left side view of the second embodiment in the closed configuration;
 FIG. 24 is a top view of the second embodiment in the closed configuration;
 FIG. 25 is a bottom view of the second embodiment in the closed configuration.
 FIG. 26 is a right front perspective view of the second embodiment in an open configuration;
 FIG. 27 is a right rear view of the second embodiment in the open configuration;
 FIG. 28 is a left side view of the second embodiment in the open configuration;
 FIG. 29 is a rear view of the second embodiment in the open configuration; and,
 FIG. 30 is a bottom view of the second embodiment in the open configuration.
 The broken lines depicting various removable optional components of head mounted audio-visual display systems are included for the purpose of illustrating environmental structure and form no part of the claimed design.

1 Claim, 30 Drawing Sheets

(58) **Field of Classification Search**

USPC 351/144; 345/7-9, 905; 455/344;
 348/115, 53, 121, 739
 CPC G02B 27/017; G02B 27/0158; G02B
 27/0161; G02B 27/0181; G02B 27/0185;
 G02B 27/0189

See application file for complete search history.

(56)

References Cited

U.S. PATENT DOCUMENTS

D754,782	S	*	4/2016	Kokinakis	D16/309
D759,015	S	*	6/2016	Mehin	D14/372
D776,111	S		1/2017	Baldassi et al.		
D777,242	S	*	1/2017	Seo	D16/300
D780,752	S		3/2017	Park et al.		
D781,290	S		3/2017	Kim et al.		
D792,400	S	*	7/2017	Osterhout	D14/372
D795,952	S	*	8/2017	Natsume	D16/309
D796,503	S	*	9/2017	Natsume	D14/372
D796,504	S	*	9/2017	Natsume	D14/372
D796,505	S	*	9/2017	Natsume	D14/372
D796,506	S	*	9/2017	Natsume	D14/372
D797,733	S	*	9/2017	Lee	D14/372
D797,735	S	*	9/2017	Fraser	D14/372
D798,862	S		10/2017	Wang		
D799,482	S		10/2017	Thomas		
D800,727	S	*	10/2017	Mullins	D14/372
D802,048	S	*	11/2017	Lundberg	D16/326
D805,072	S		12/2017	Seki		
D805,073	S		12/2017	Yee et al.		
D806,710	S		1/2018	Chen et al.		
D807,882	S		1/2018	Gribetz et al.		
D810,743	S		2/2018	Yee et al.		
D812,612	S		3/2018	Gribetz et al.		
D815,092	S	*	4/2018	Liao	D14/372
D819,636	S		6/2018	Chen et al.		
D819,637	S		6/2018	Chen et al.		
D820,258	S	*	6/2018	Maw	D14/372
D824,905	S	*	8/2018	Yamada	D14/372

OTHER PUBLICATIONS

Notice of Allowance dated Jul. 31, 2018 for Design U.S. Appl. No. 29/650,872, 12 pages.
 Notice of Allowance dated Jul. 31, 2018 for Design U.S. Appl. No. 29/653,570, 8 pages.
 Notice of Allowance dated Jul. 31, 2018 for Design U.S. Appl. No. 29/653,573, 8 pages.
 Notice of Allowance dated Jul. 31, 2018 for Design U.S. Appl. No. 29/653,575, 8 pages.
 Design application specification and drawings for U.S. Appl. No. 29/584,739, filed Nov. 16, 2016, Inventor Michael Slipy, entitled "Head Mounted Audio-Visual Display System" 9 pages.
 Design application specification and drawings for U.S. Appl. No. 29/603,737, filed May 11, 2016, Inventor David Charles et al., entitled "Head Mounted Audio-Visual Display System Connection Cable" 25 pages.
 Design application specification and drawings for U.S. Appl. No. 29/575,027, filed Aug. 22, 2016, Inventor Bradley Fraser, et al., entitled "Mixed Reality Head Mounted Display" 9 pages.

* cited by examiner

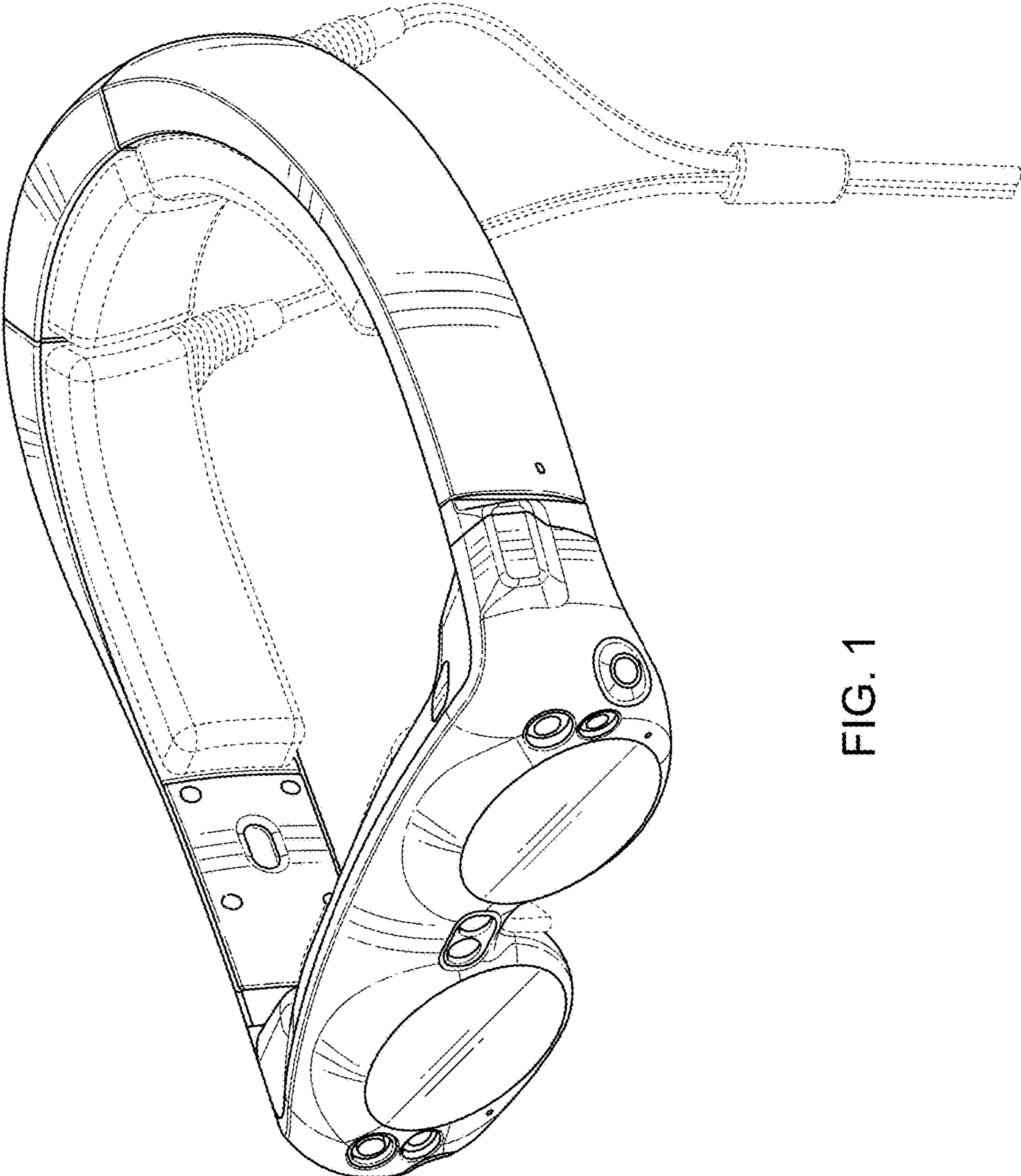


FIG. 1

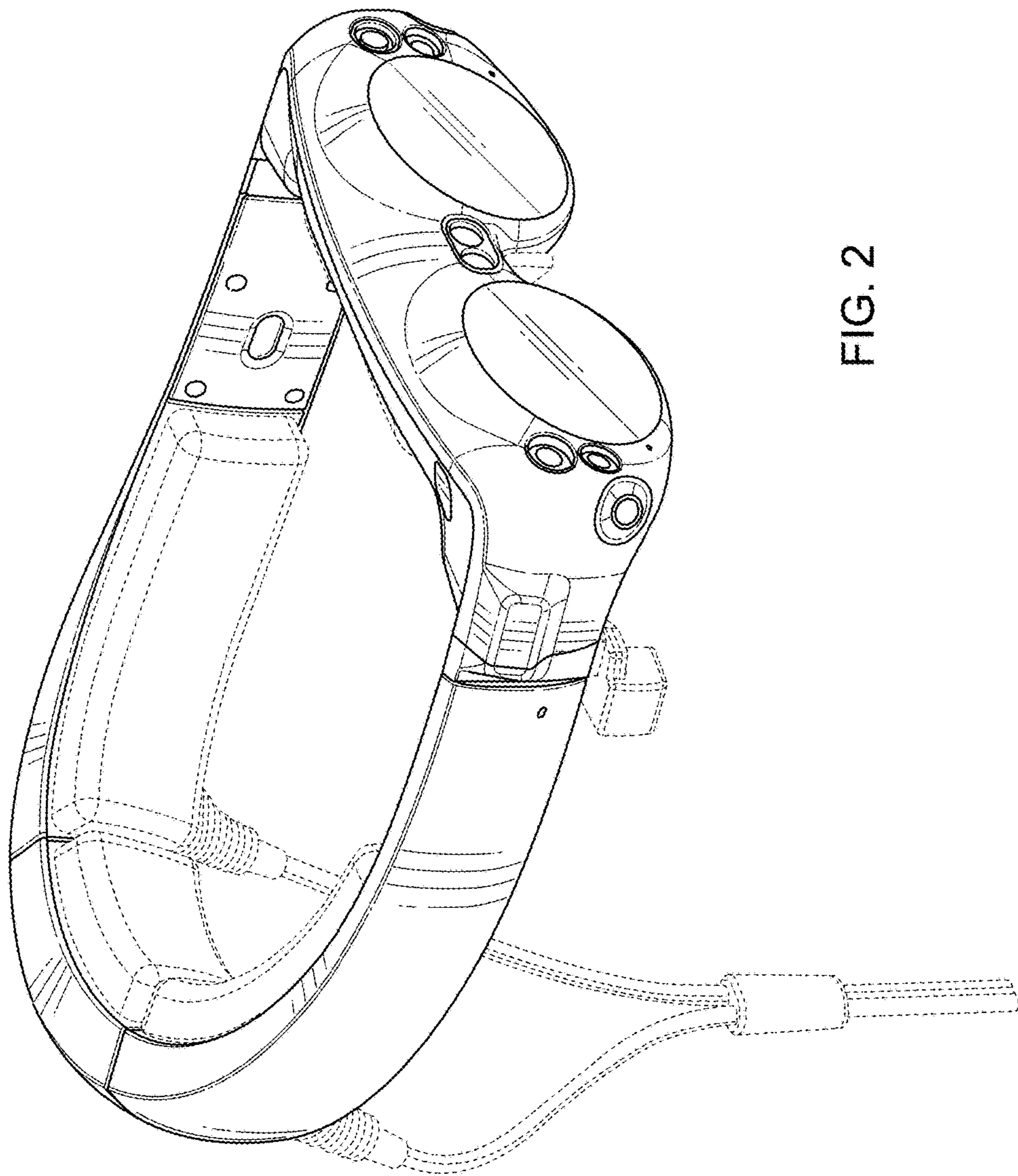


FIG. 2

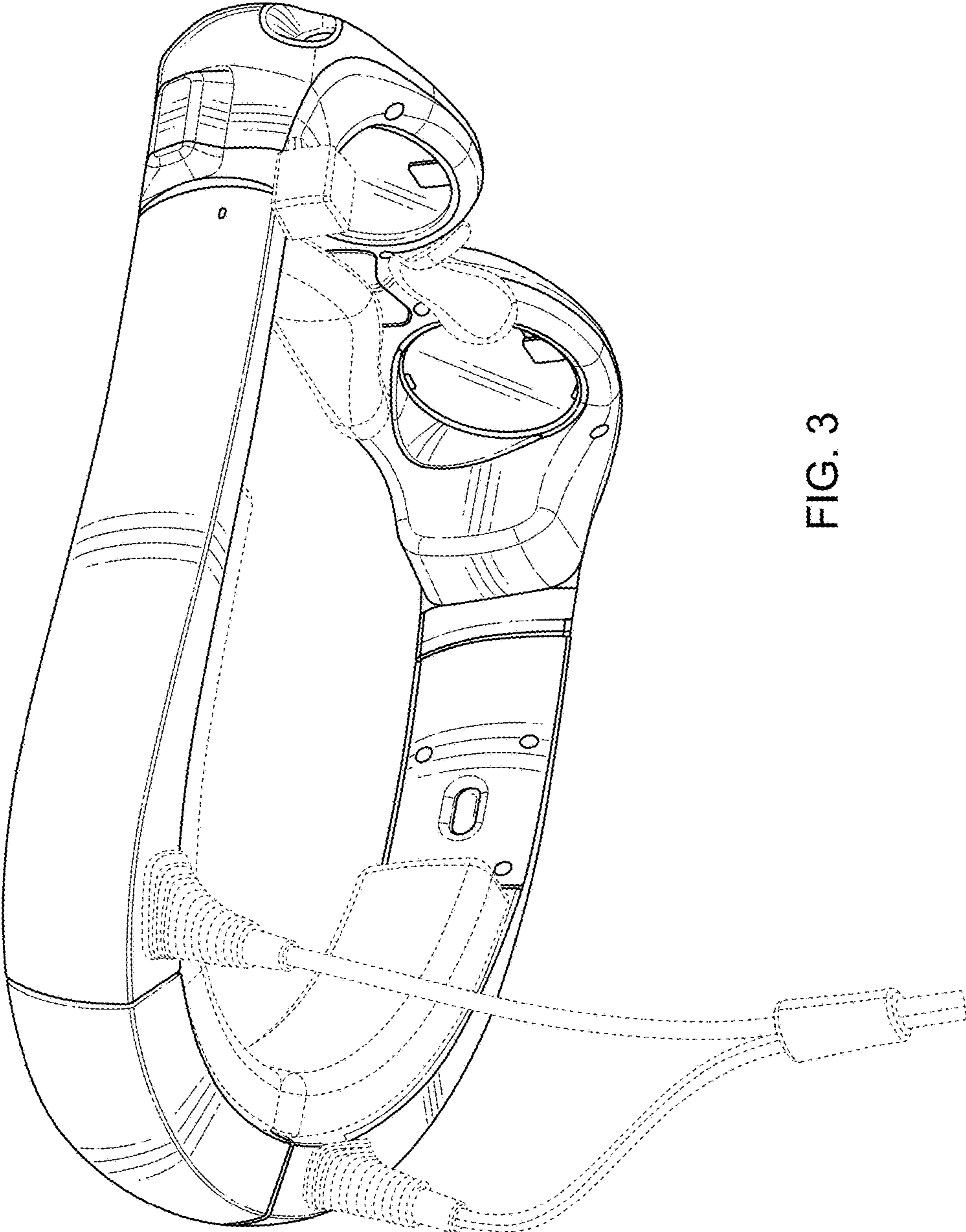


FIG. 3

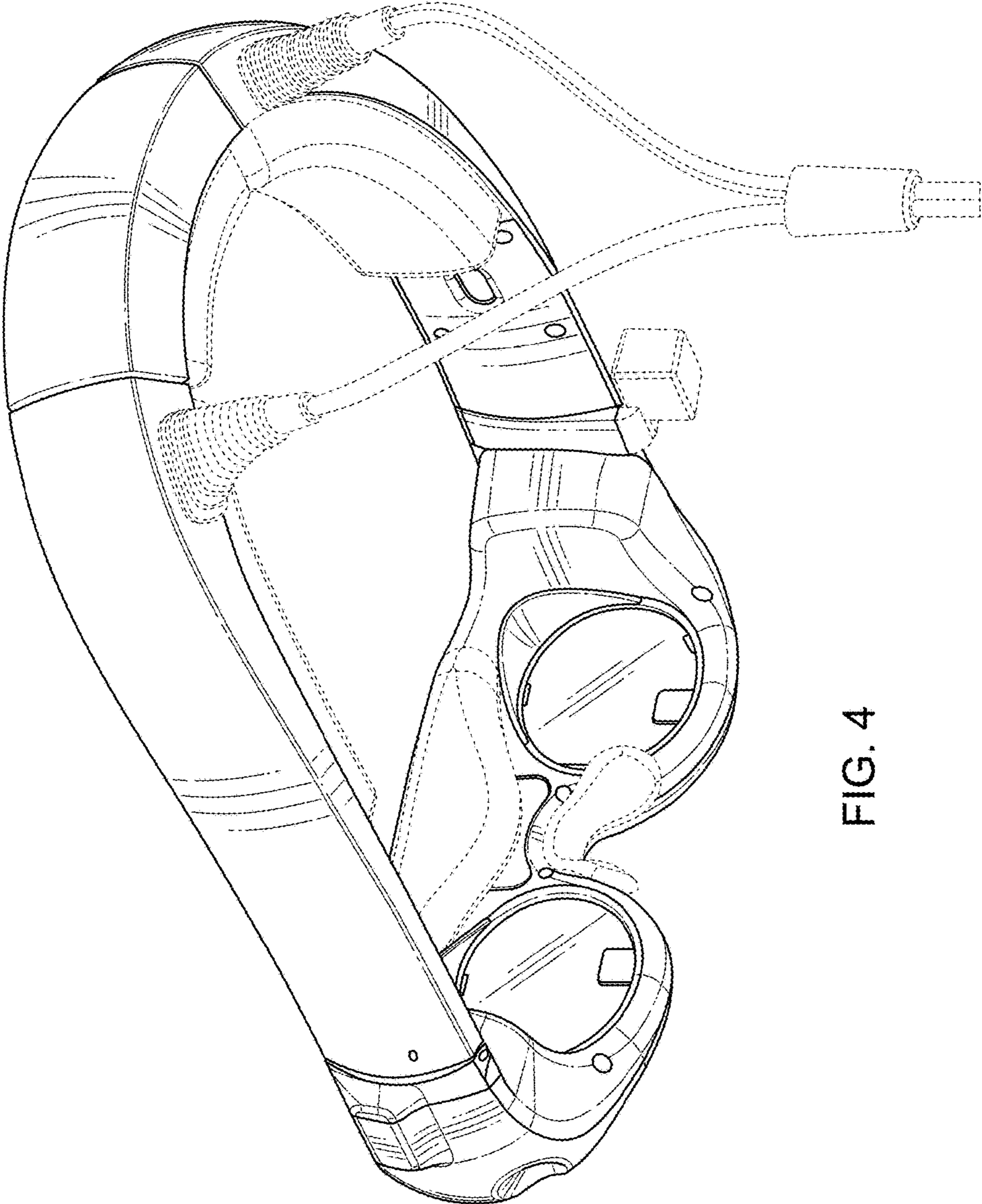


FIG. 4

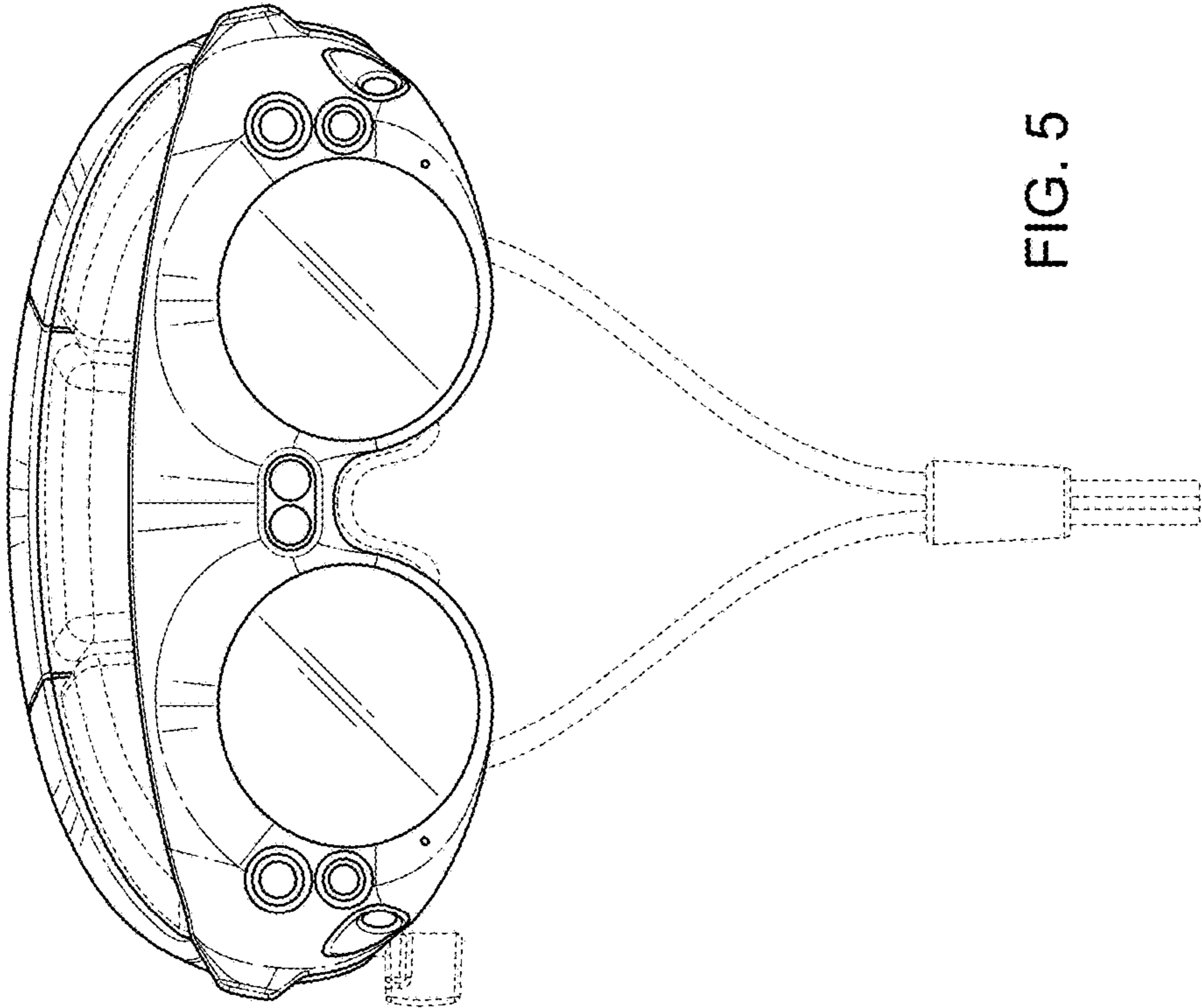


FIG. 5

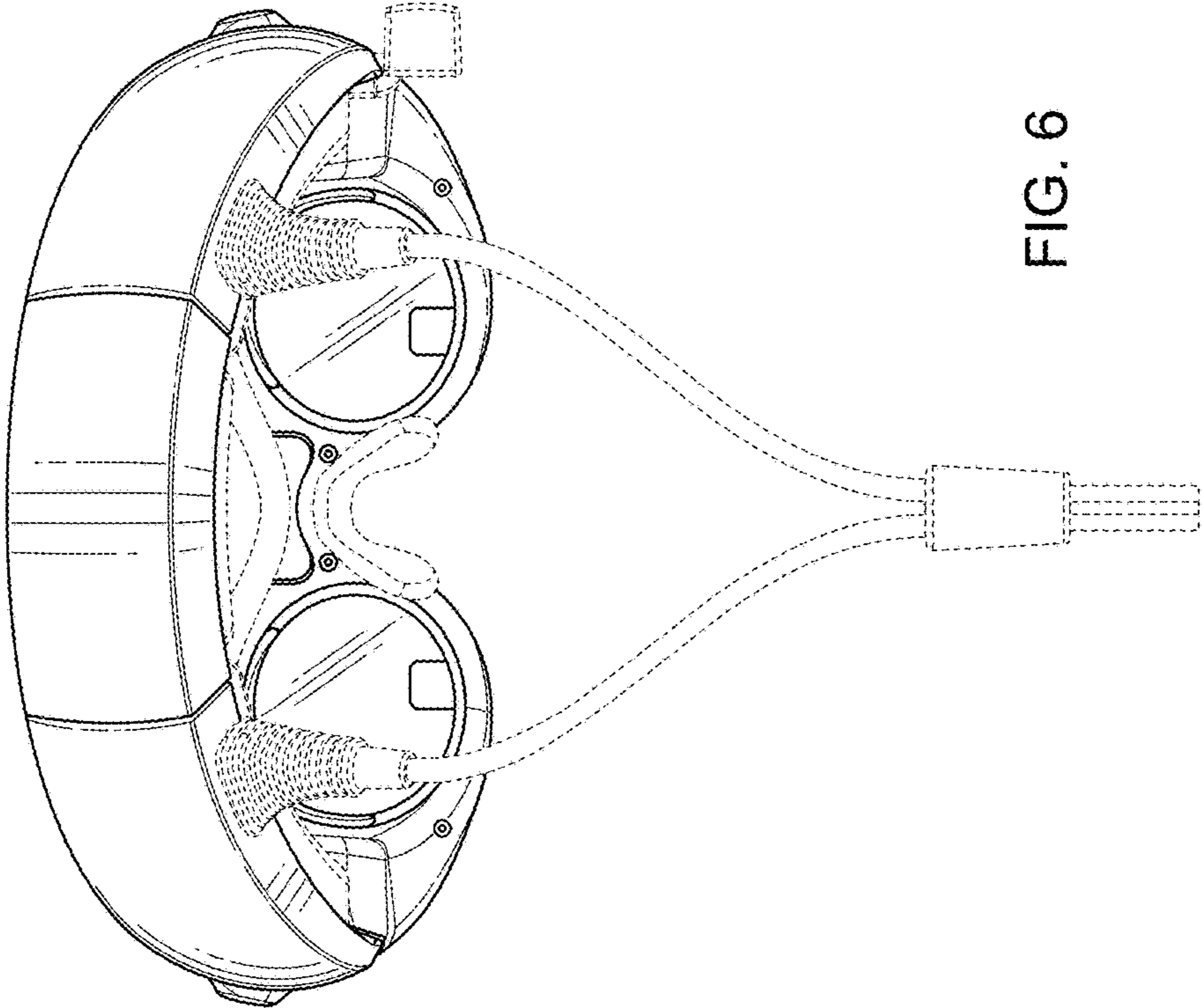


FIG. 6

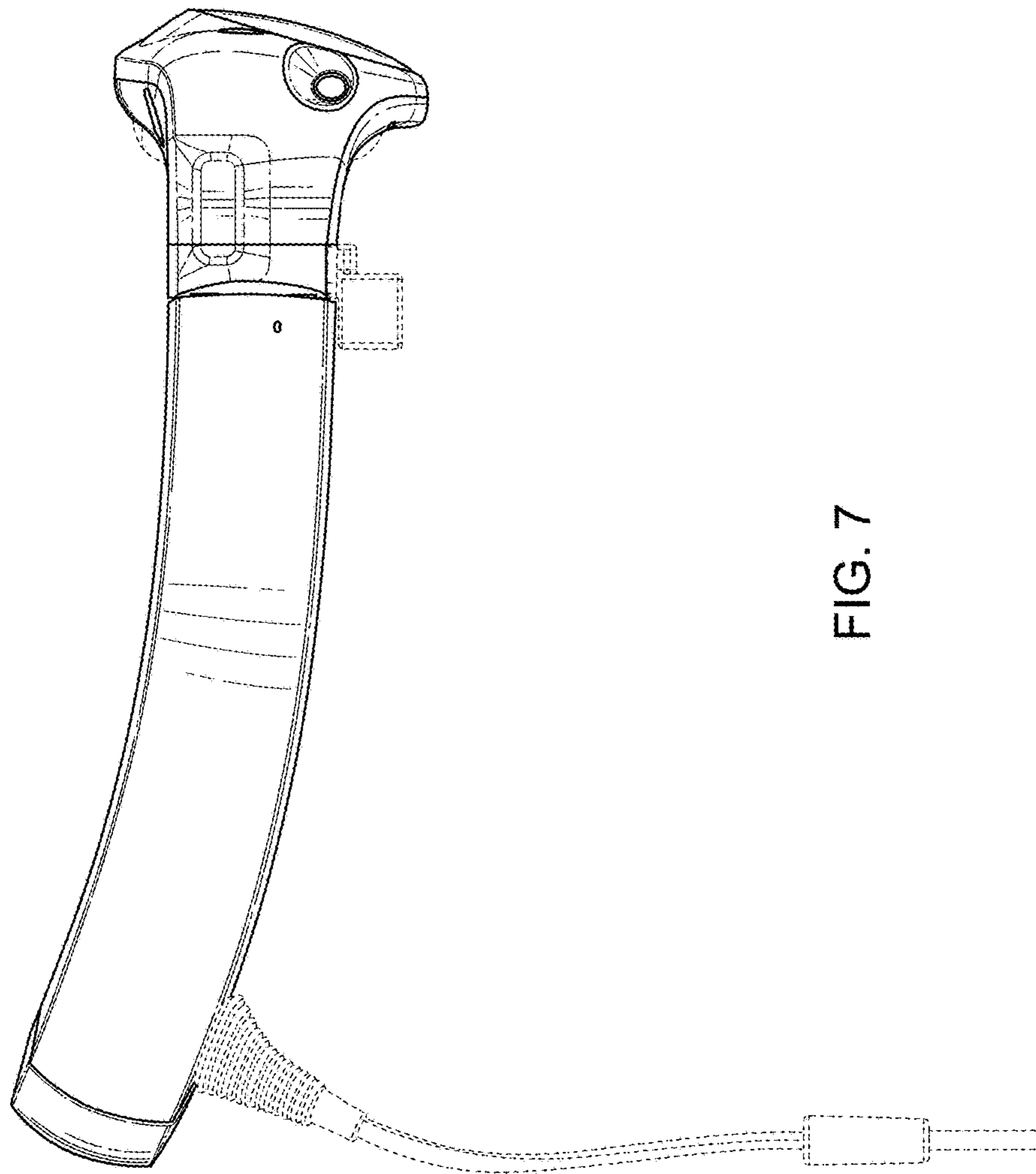


FIG. 7

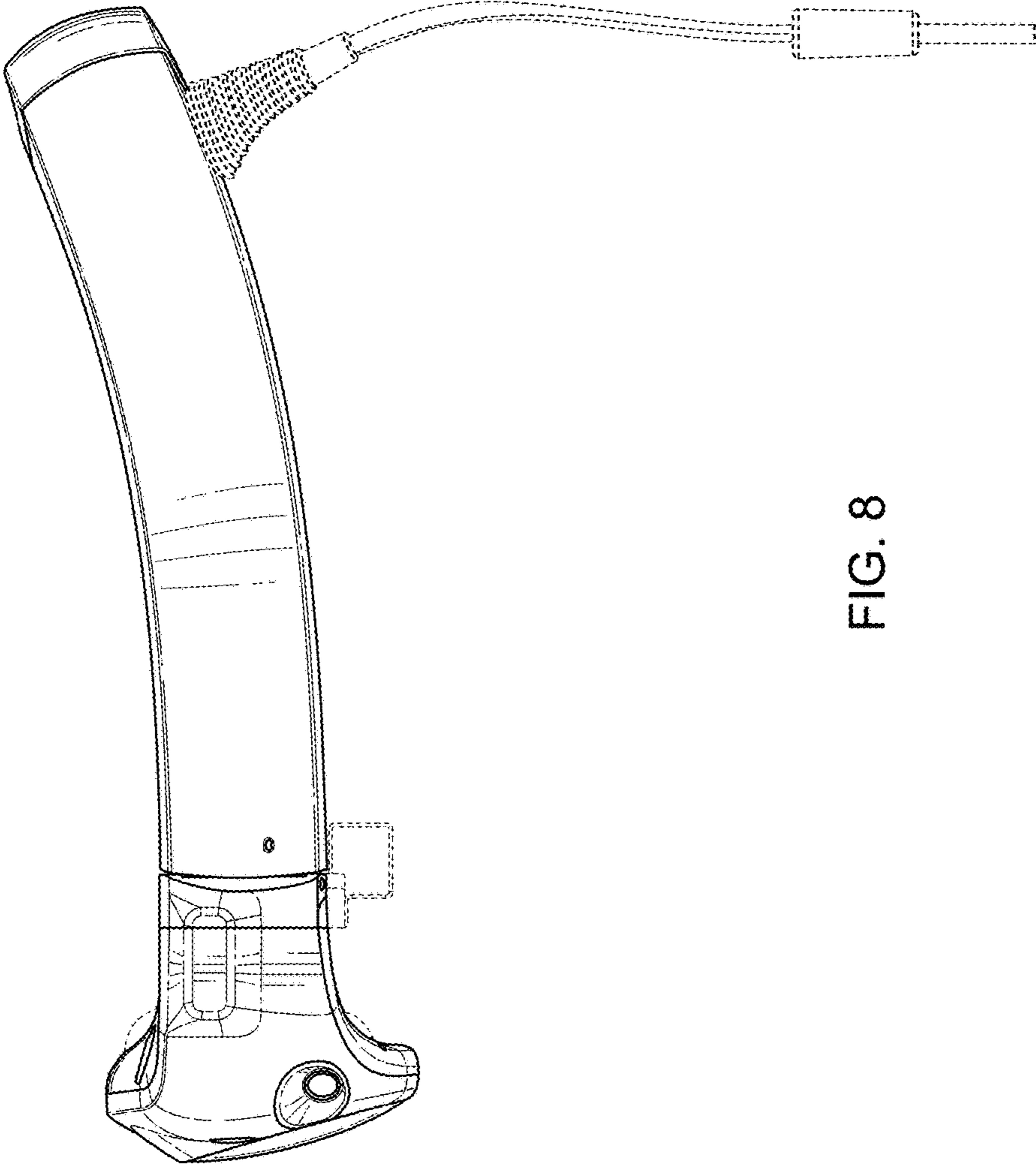


FIG. 8

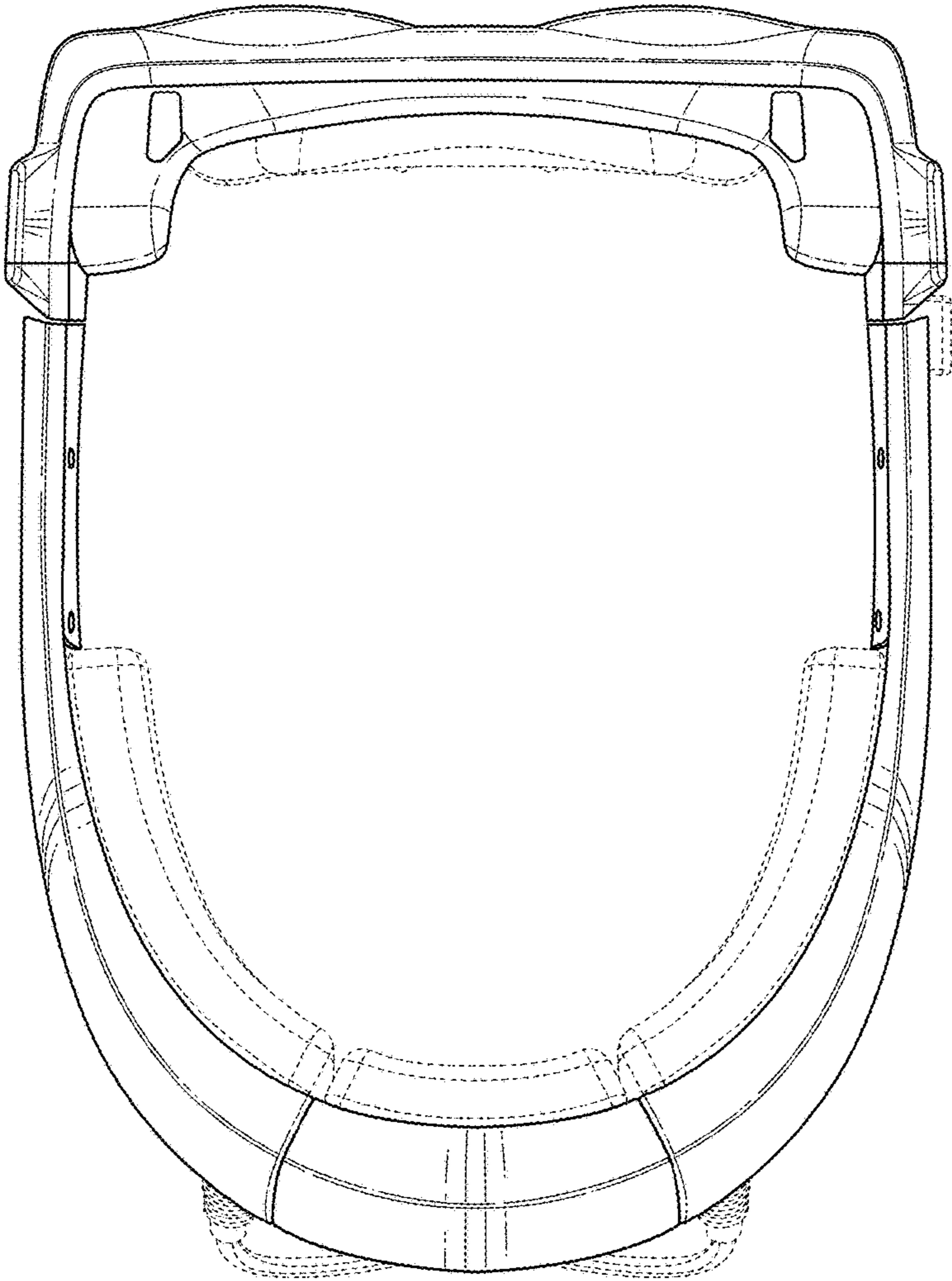


FIG. 9

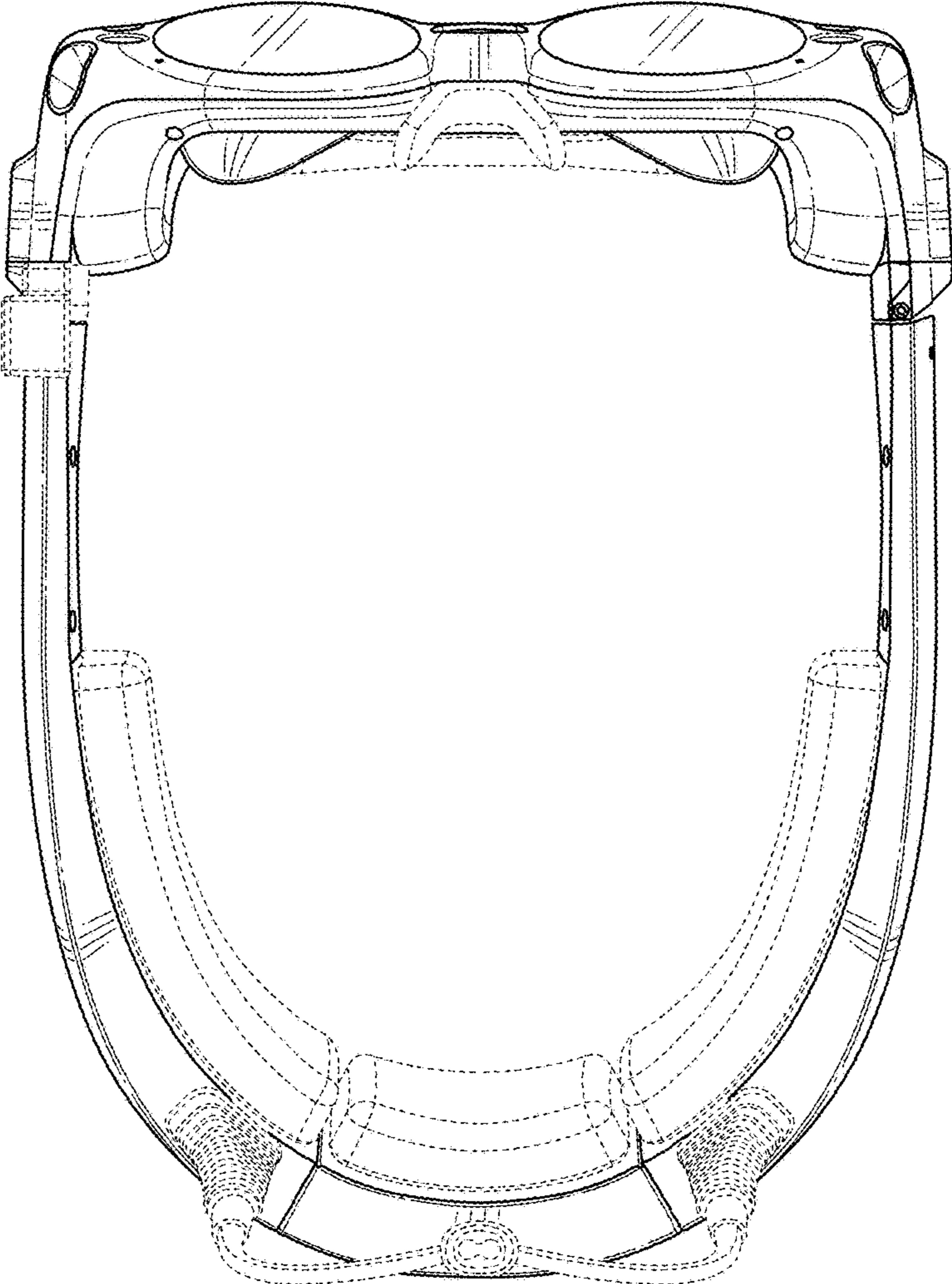


FIG. 10

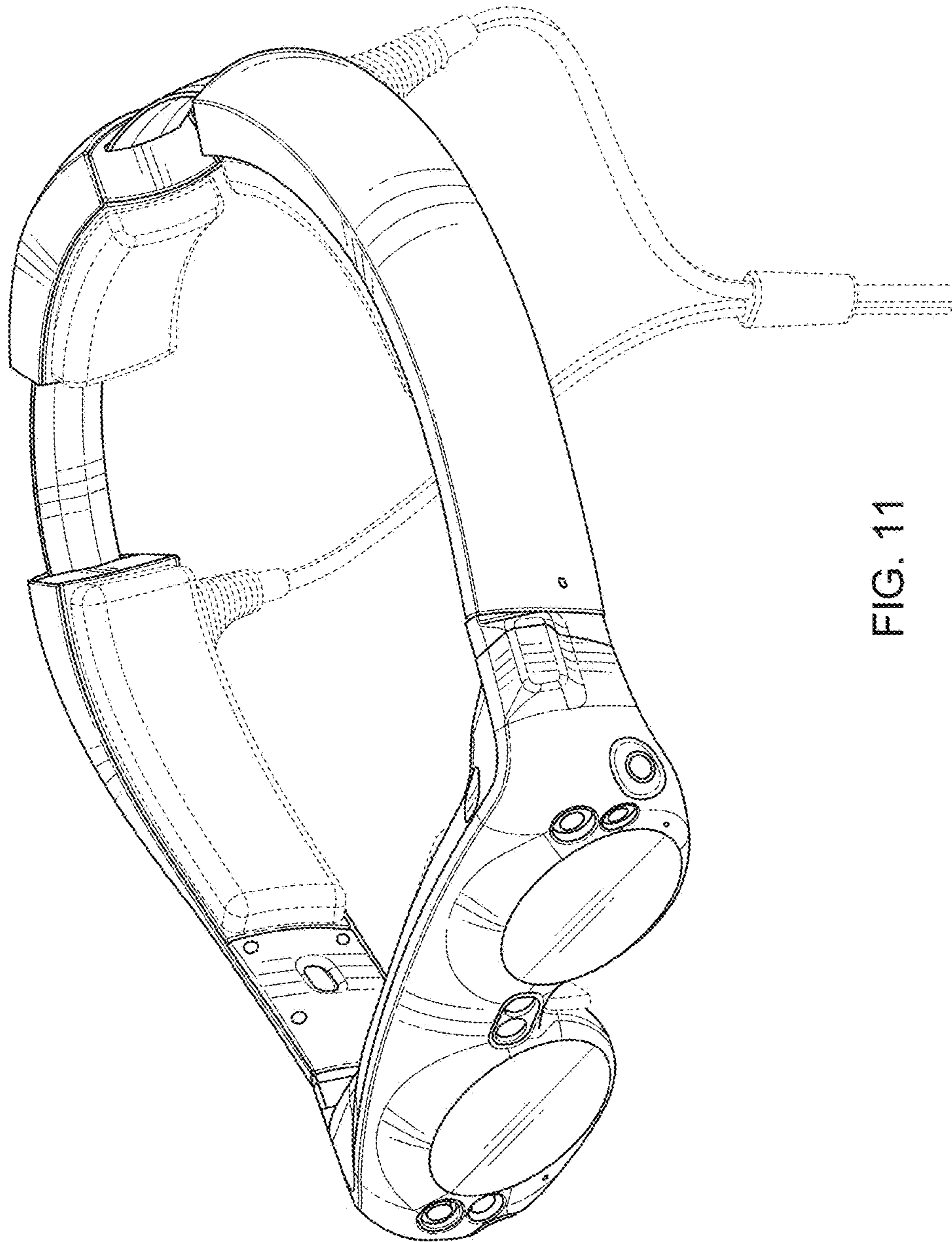


FIG. 11

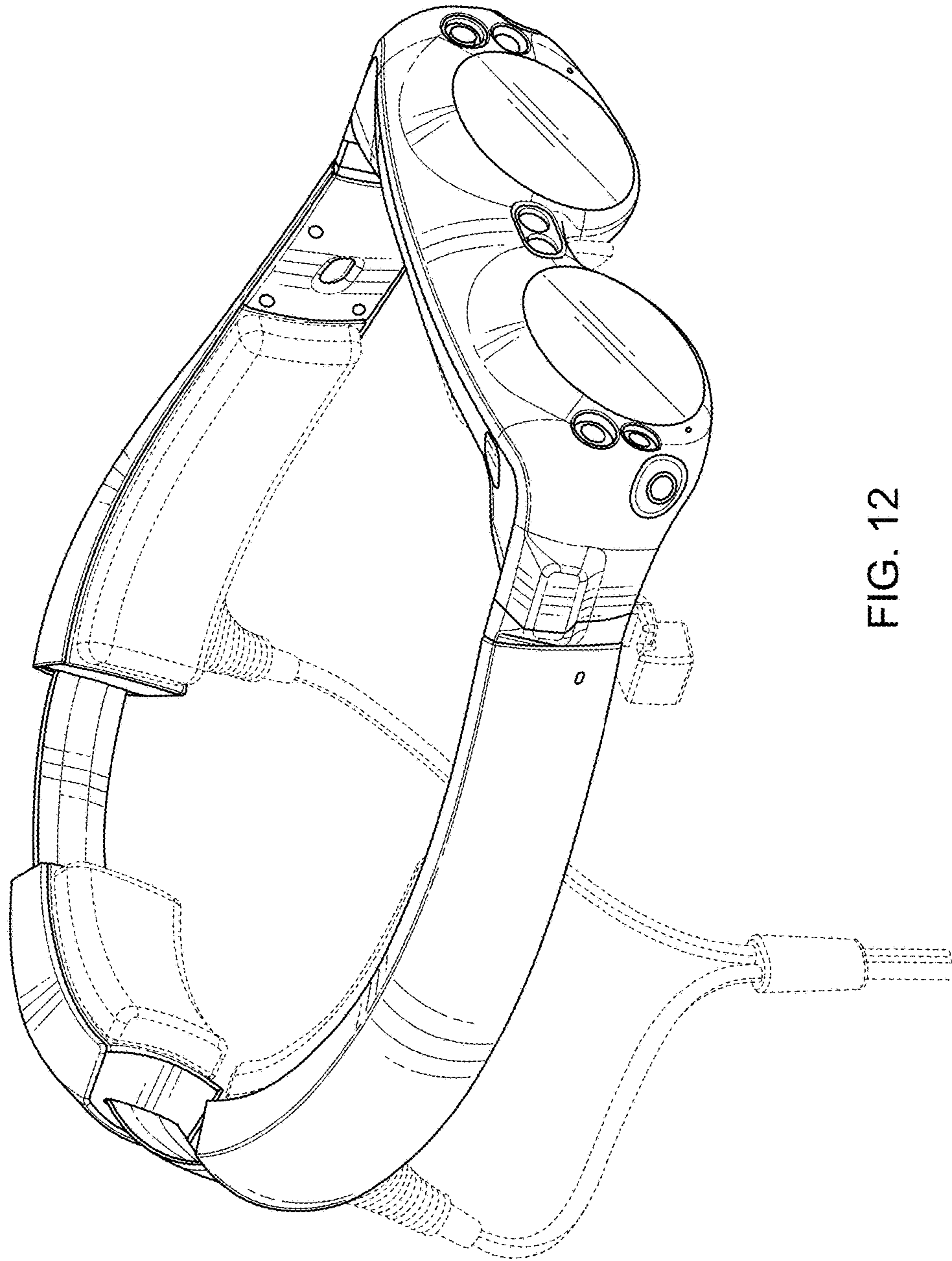


FIG. 12

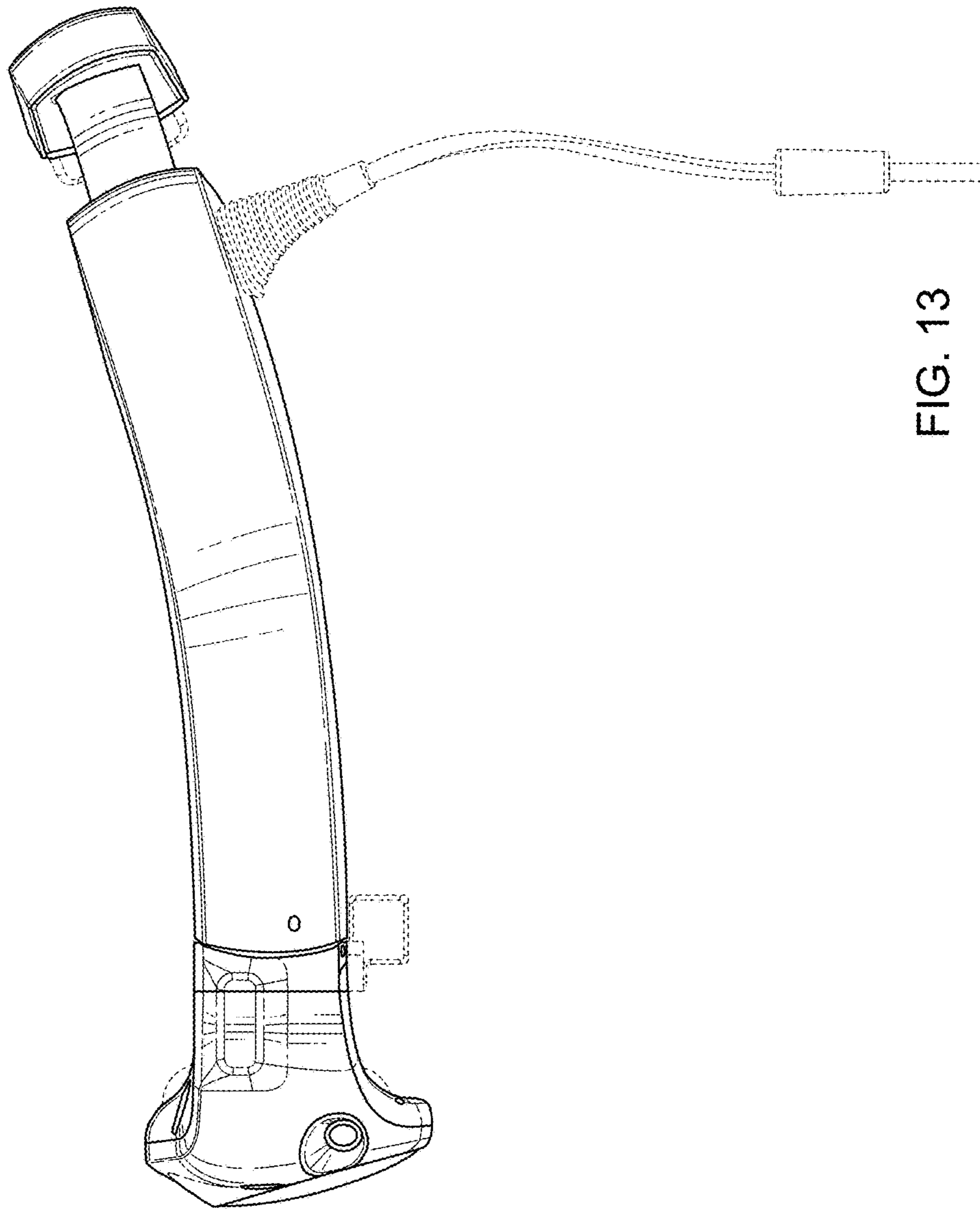


FIG. 13

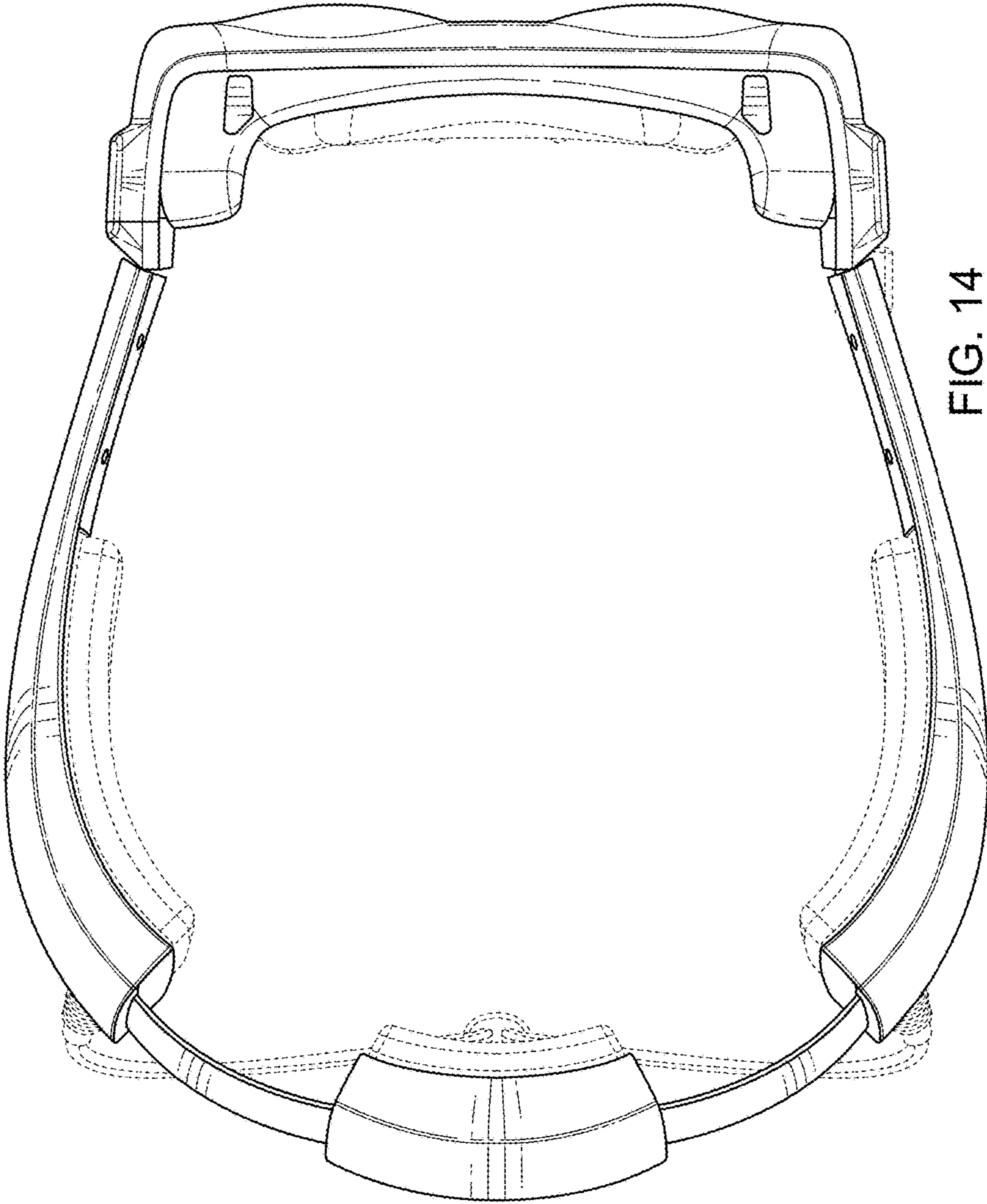


FIG. 14

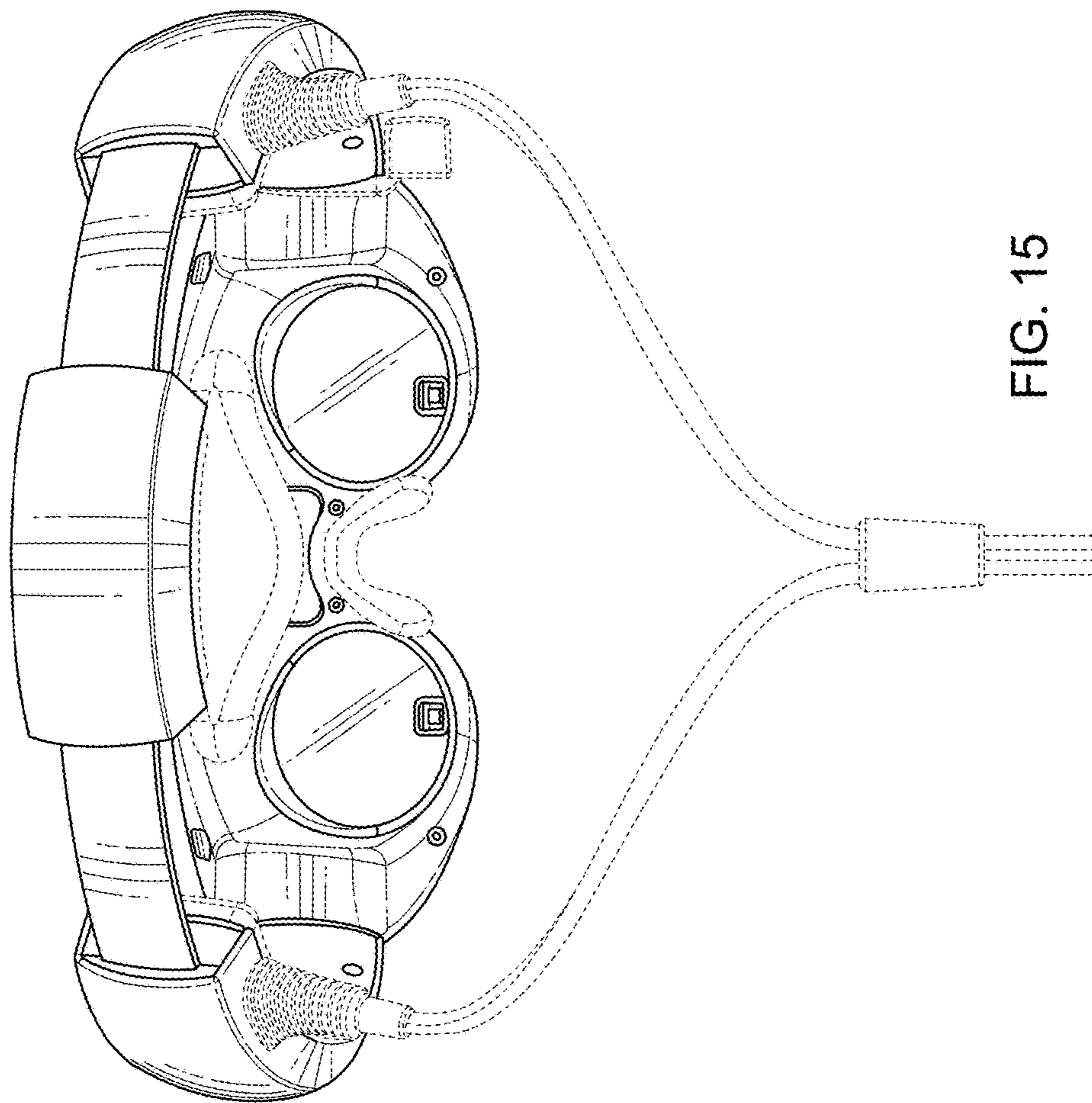


FIG. 15

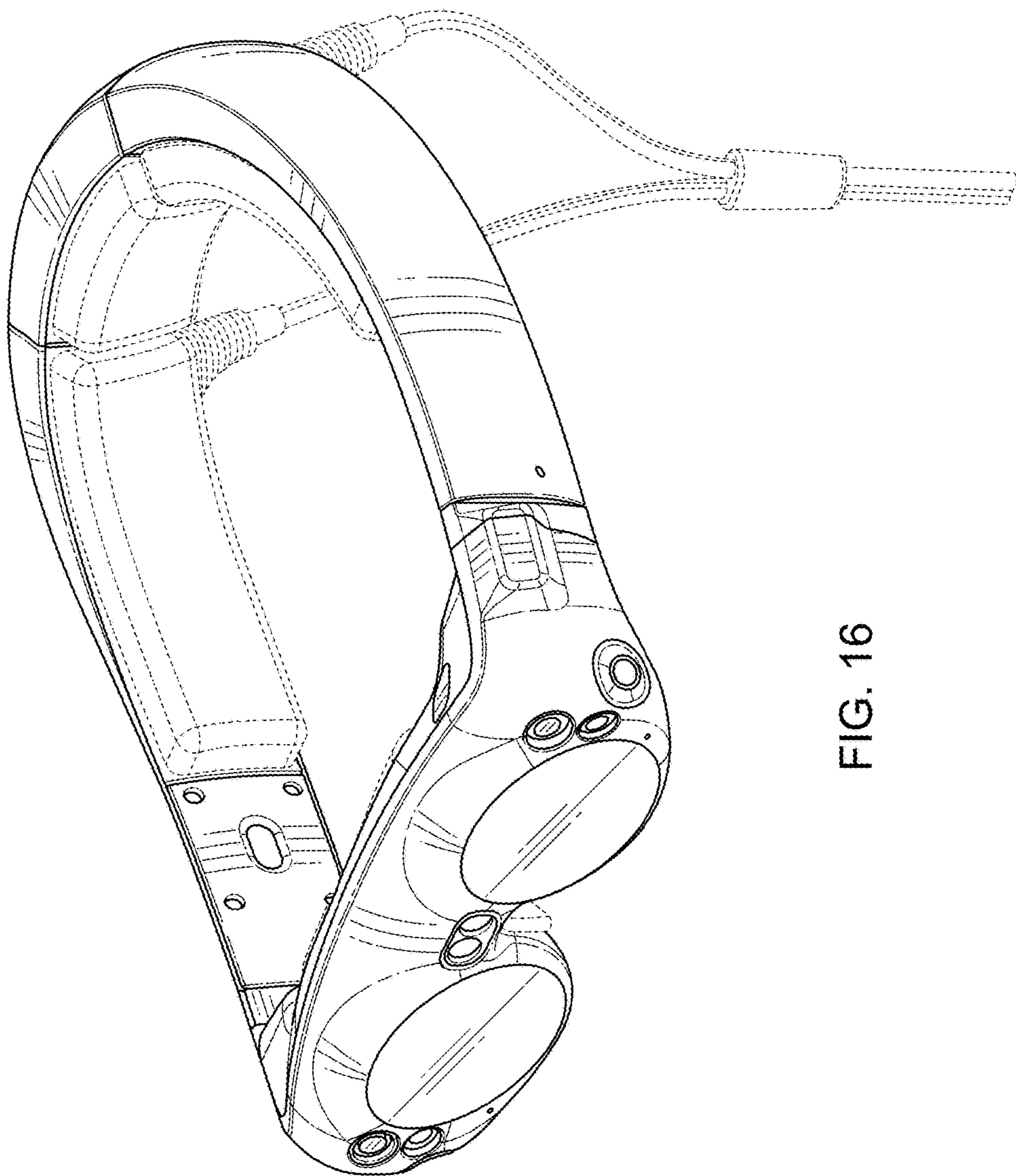


FIG. 16

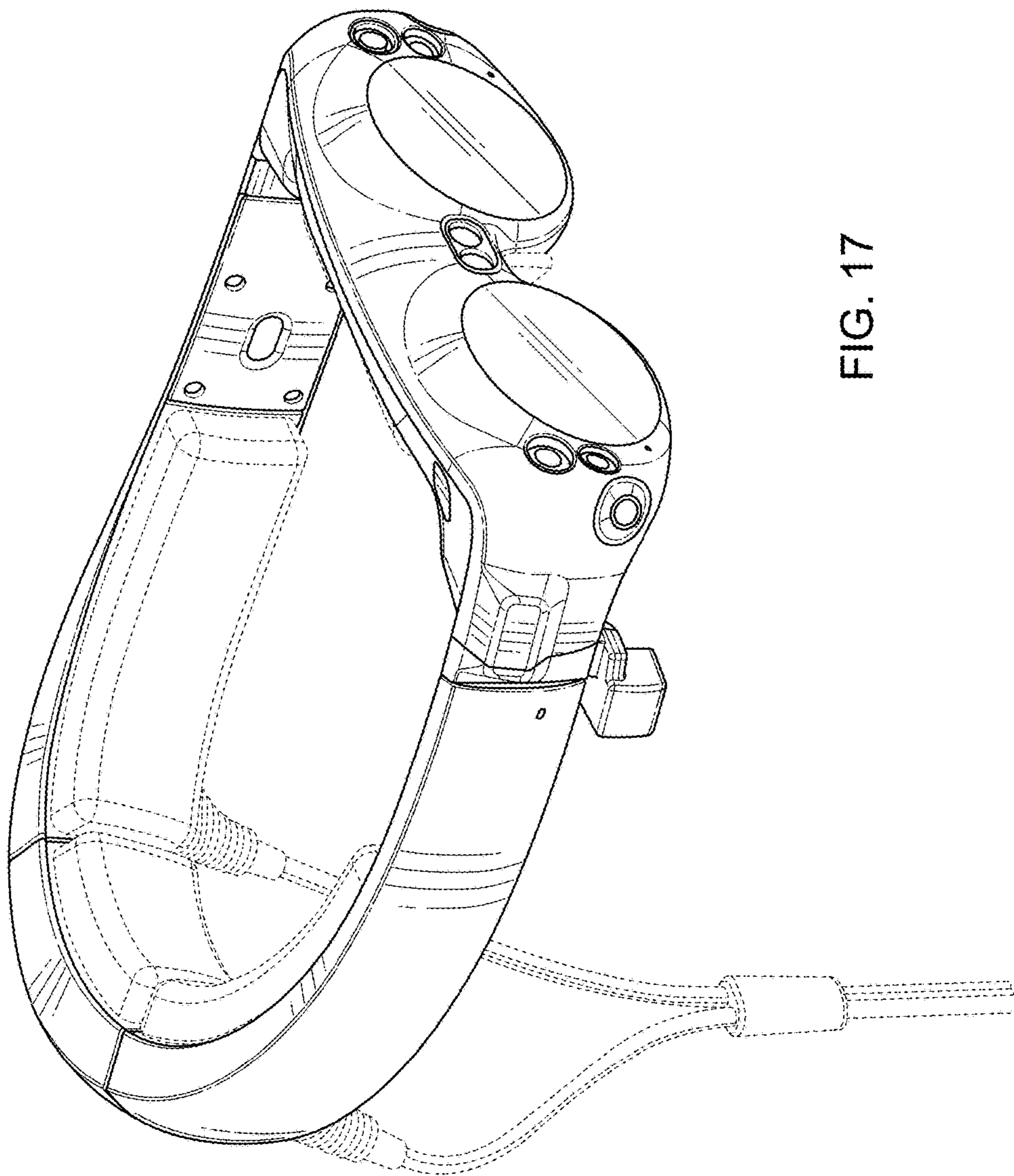


FIG. 17

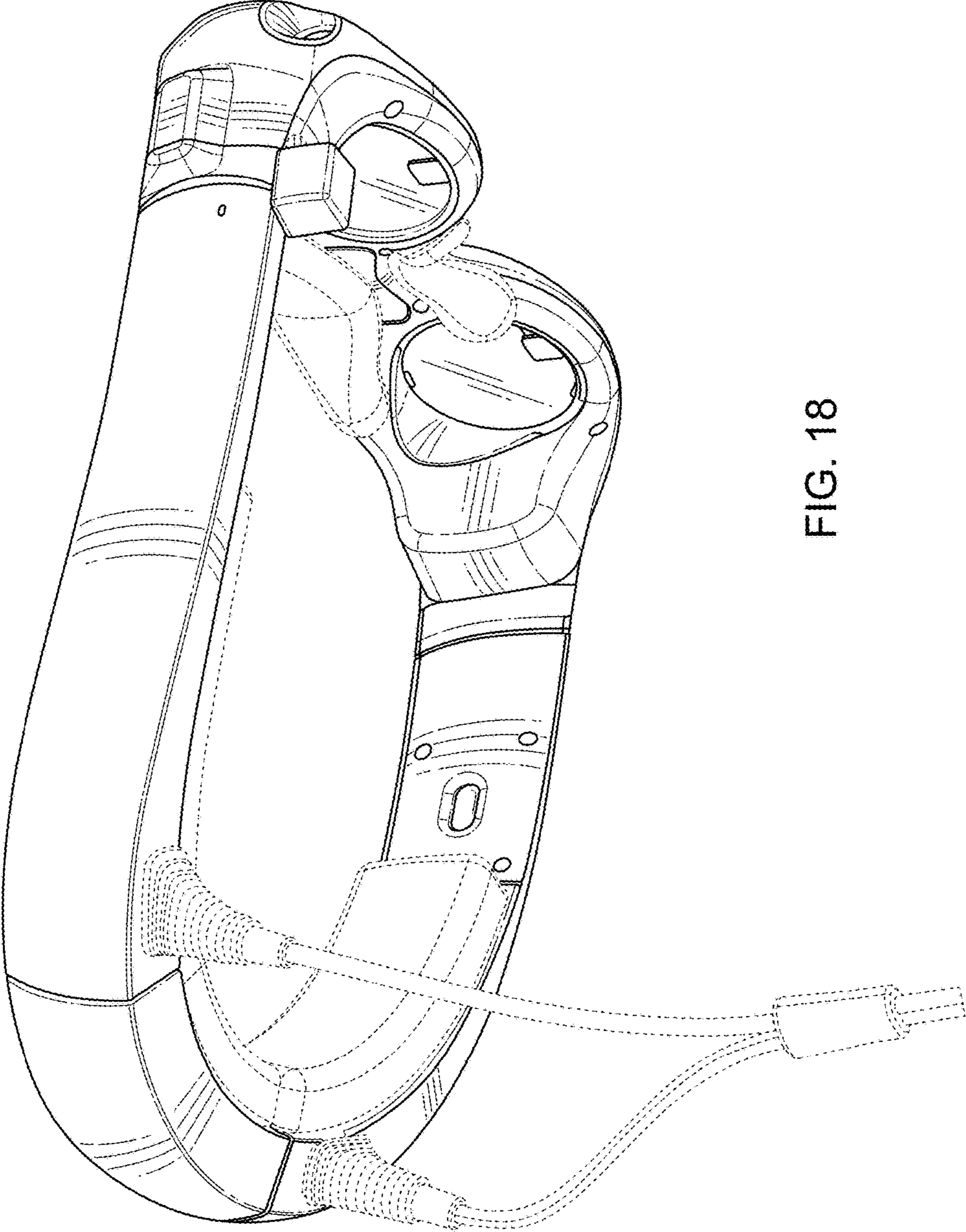


FIG. 18

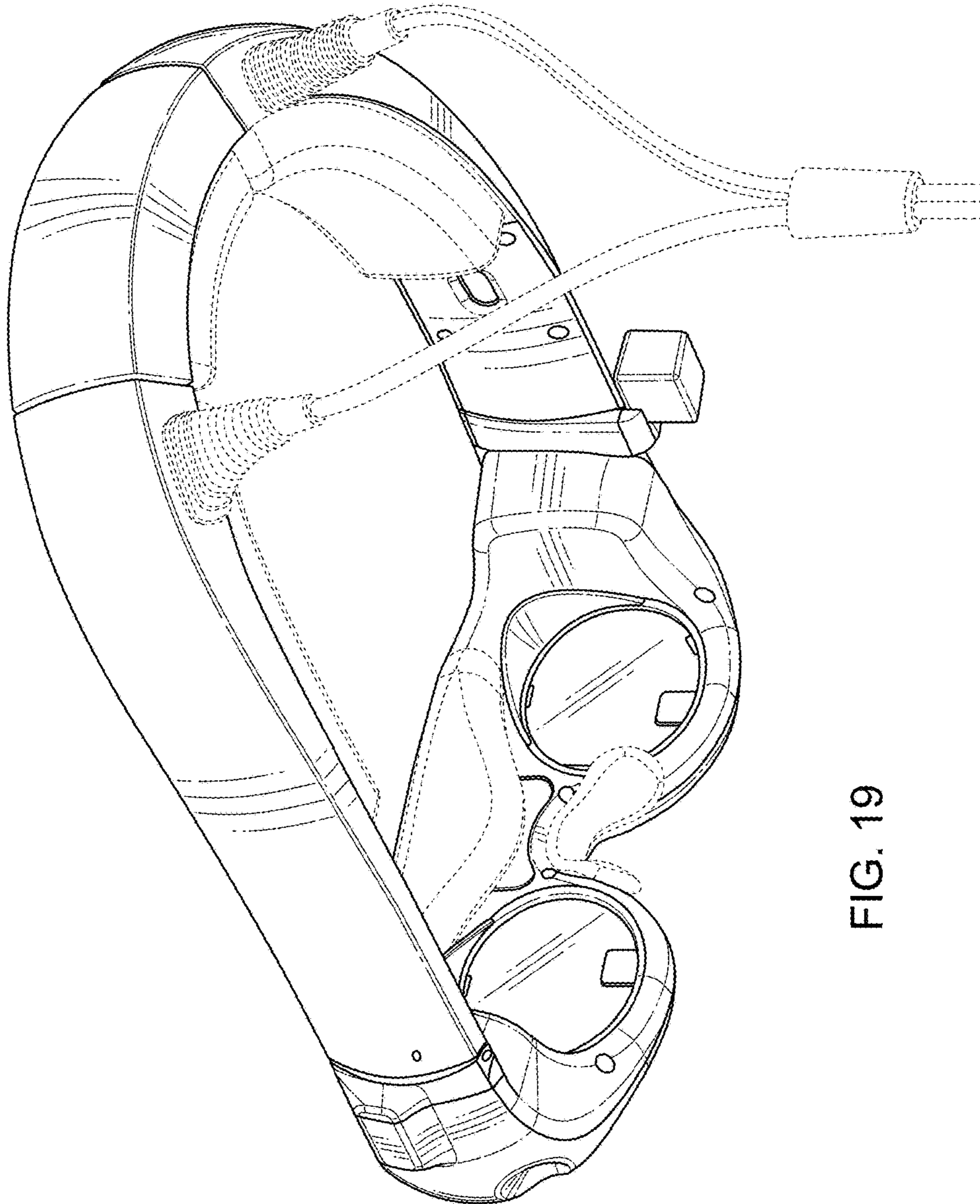


FIG. 19

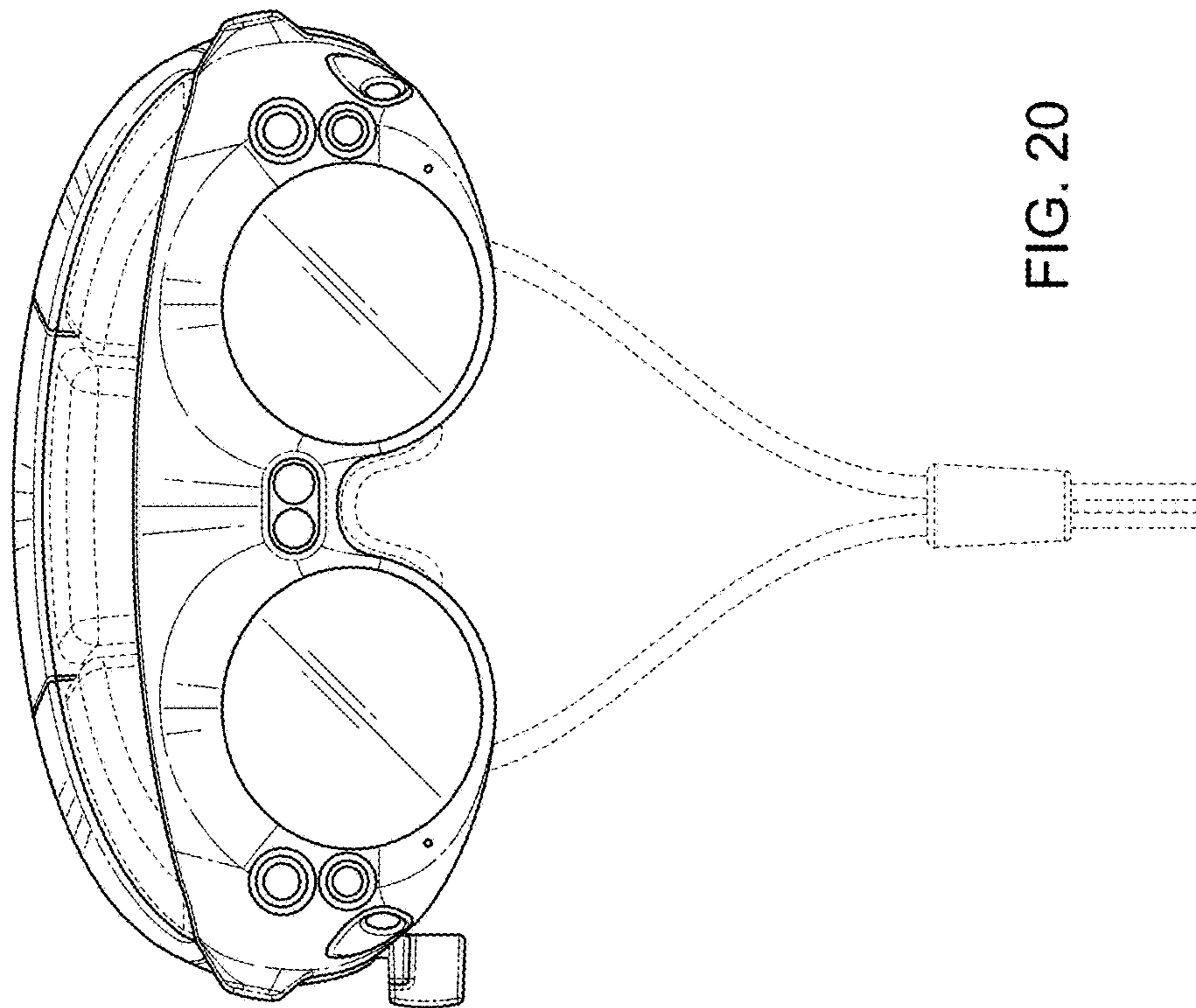


FIG. 20

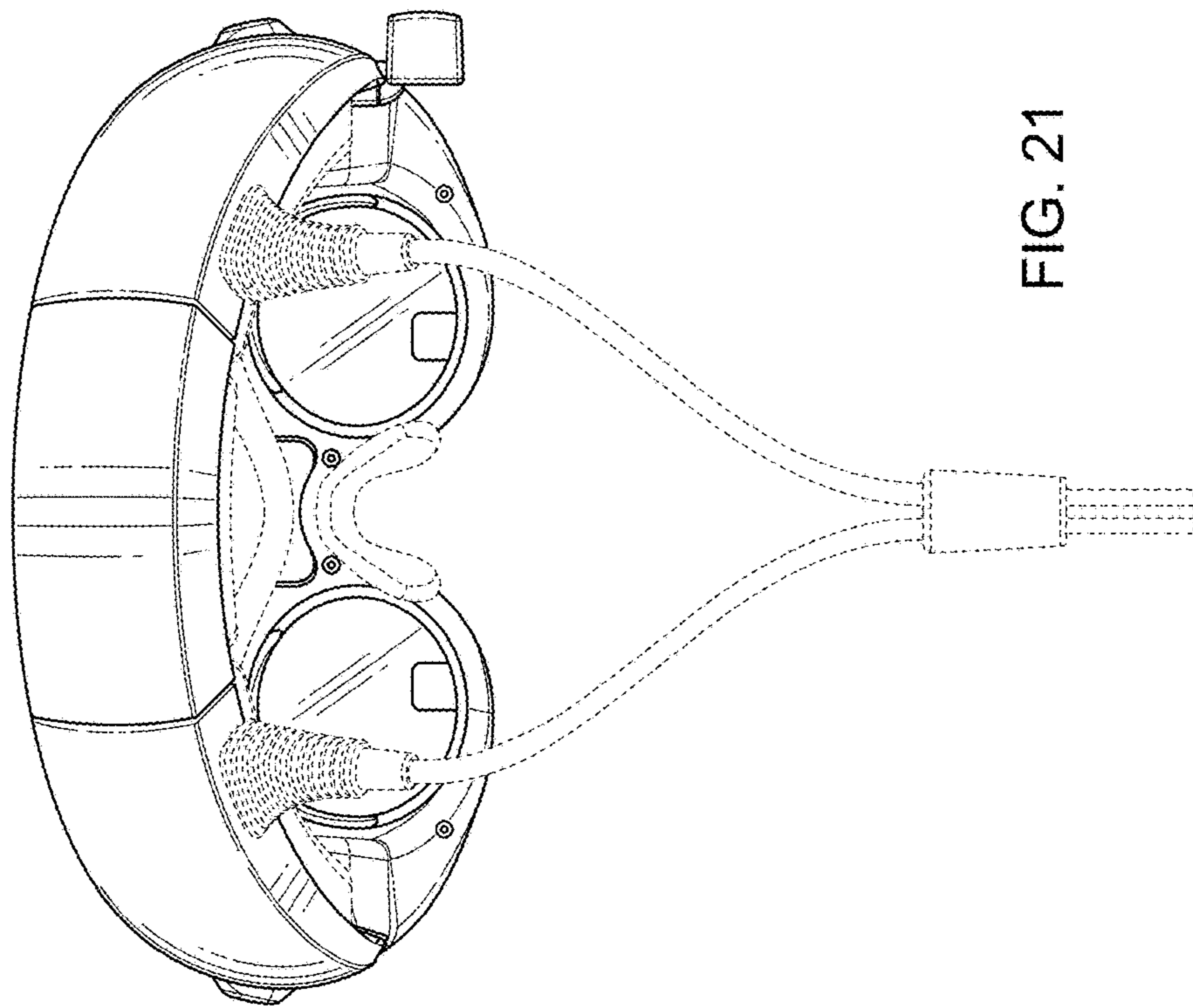


FIG. 21

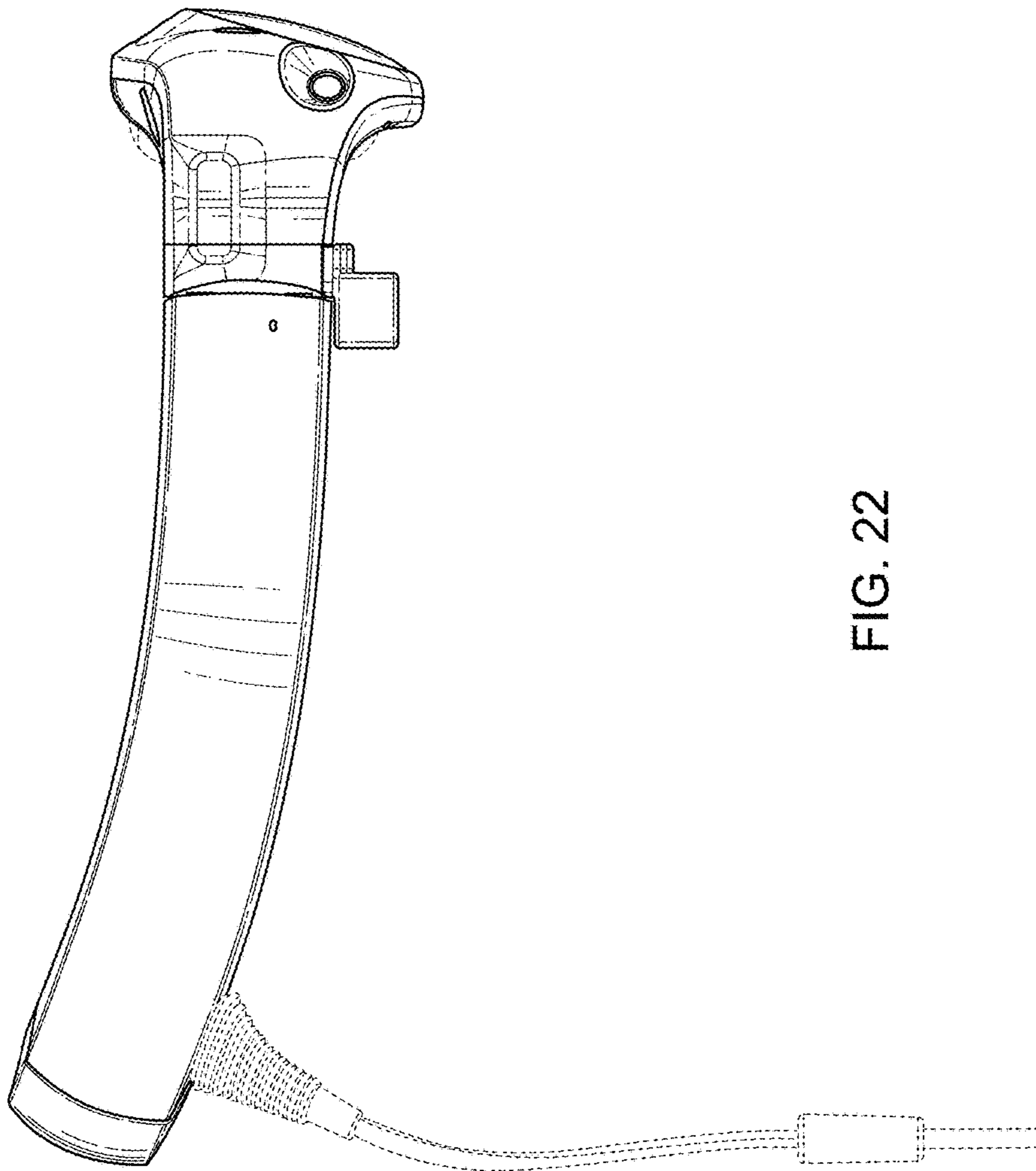


FIG. 22

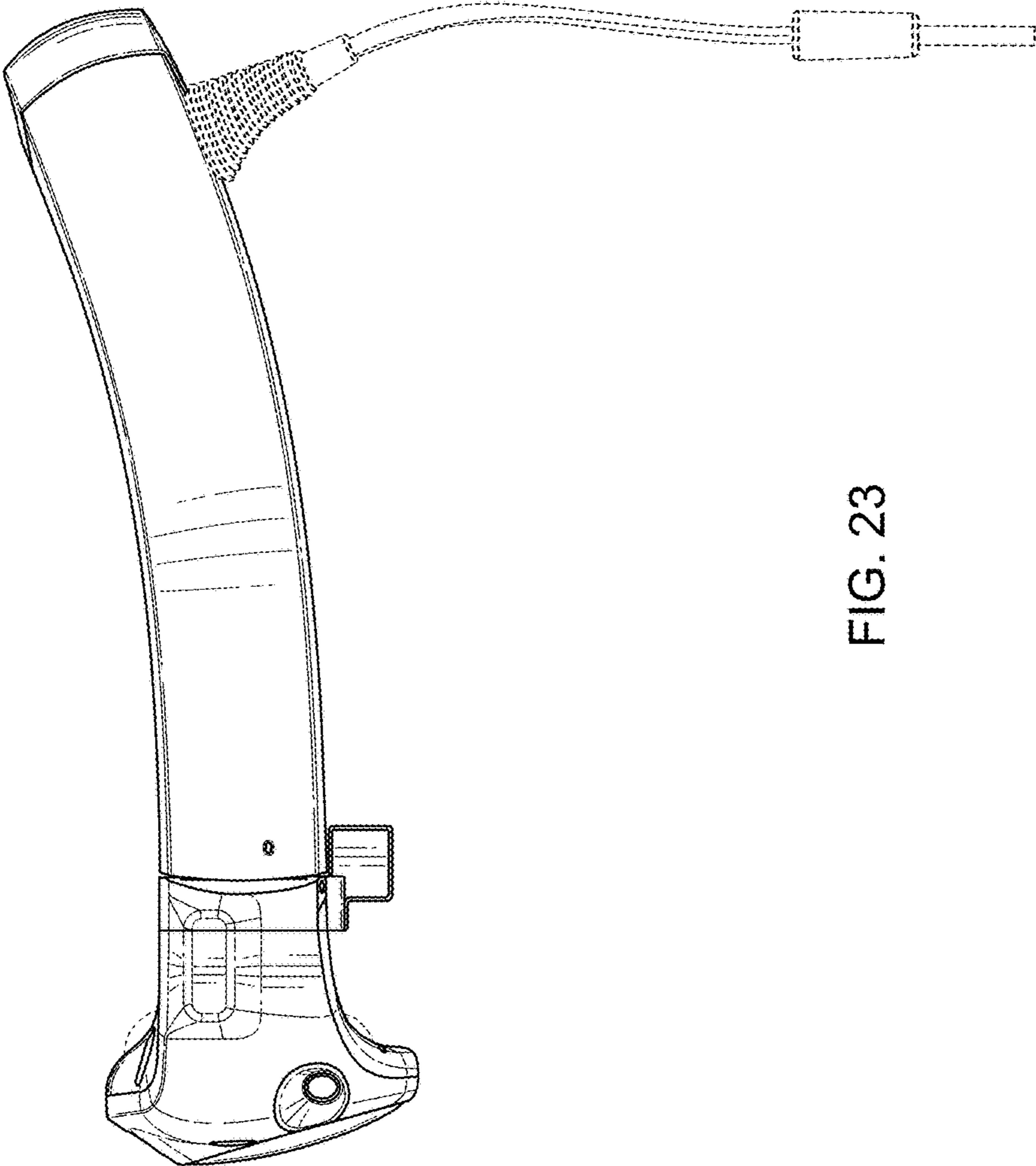


FIG. 23

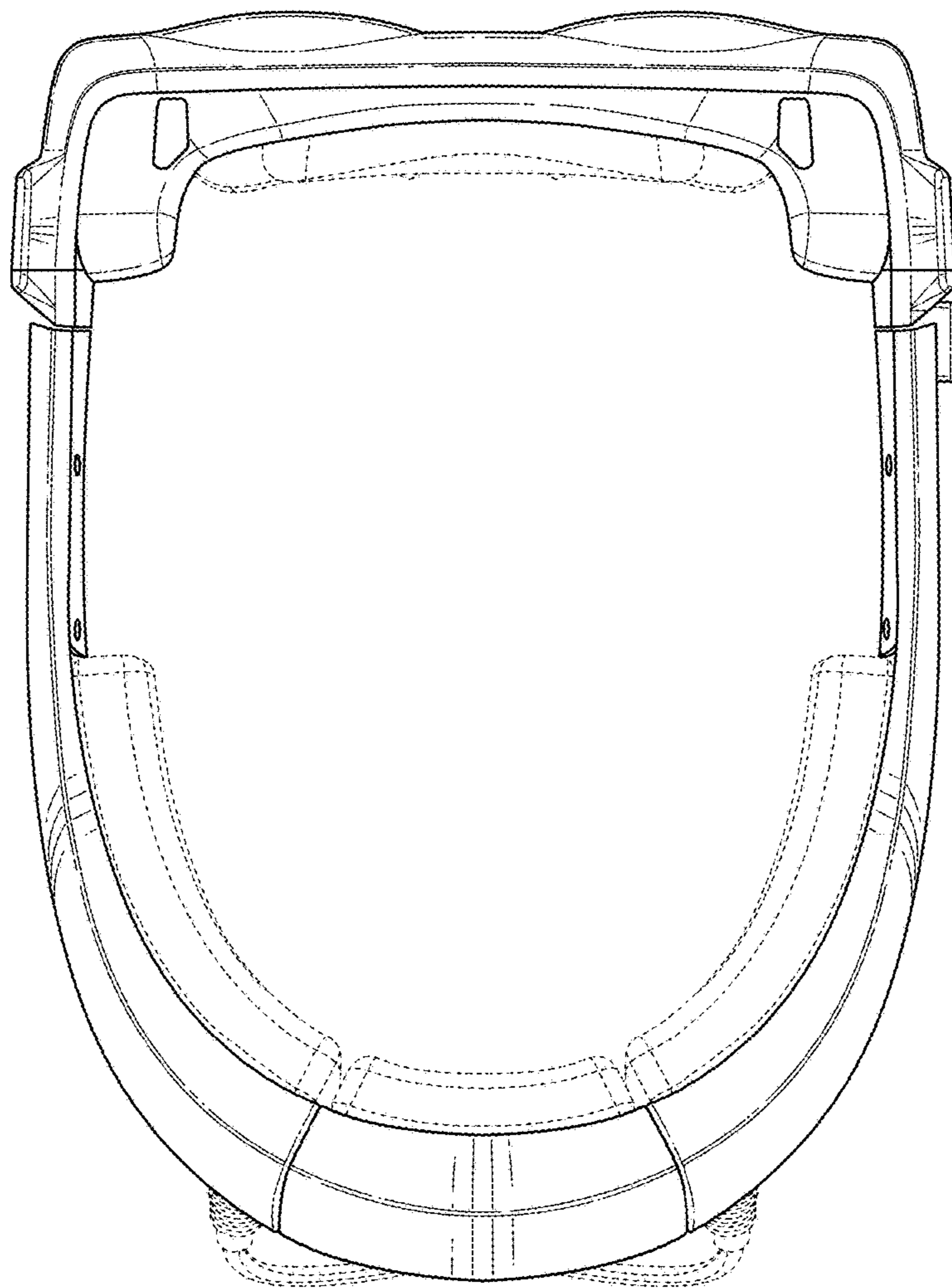


FIG. 24

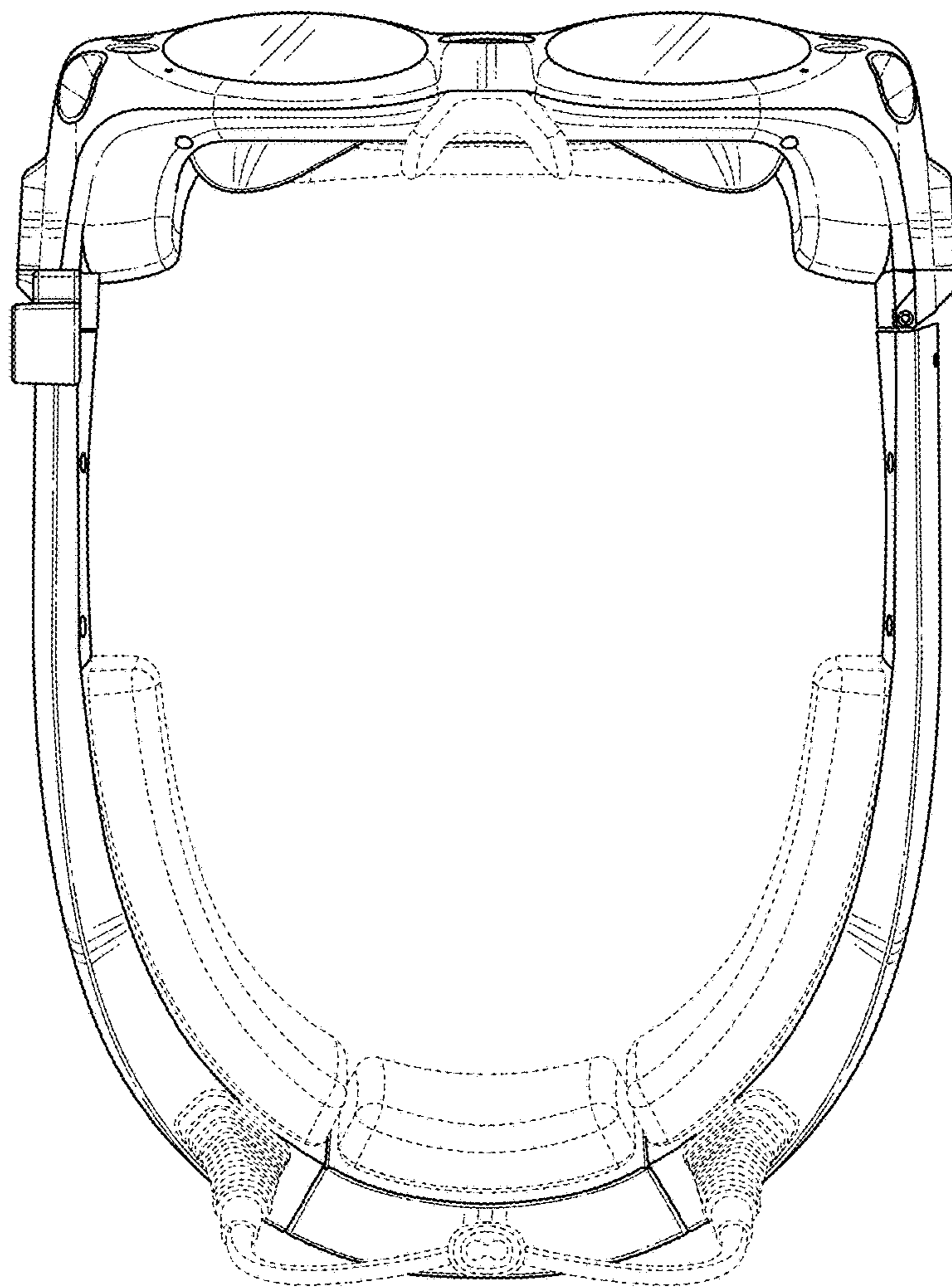


FIG. 25

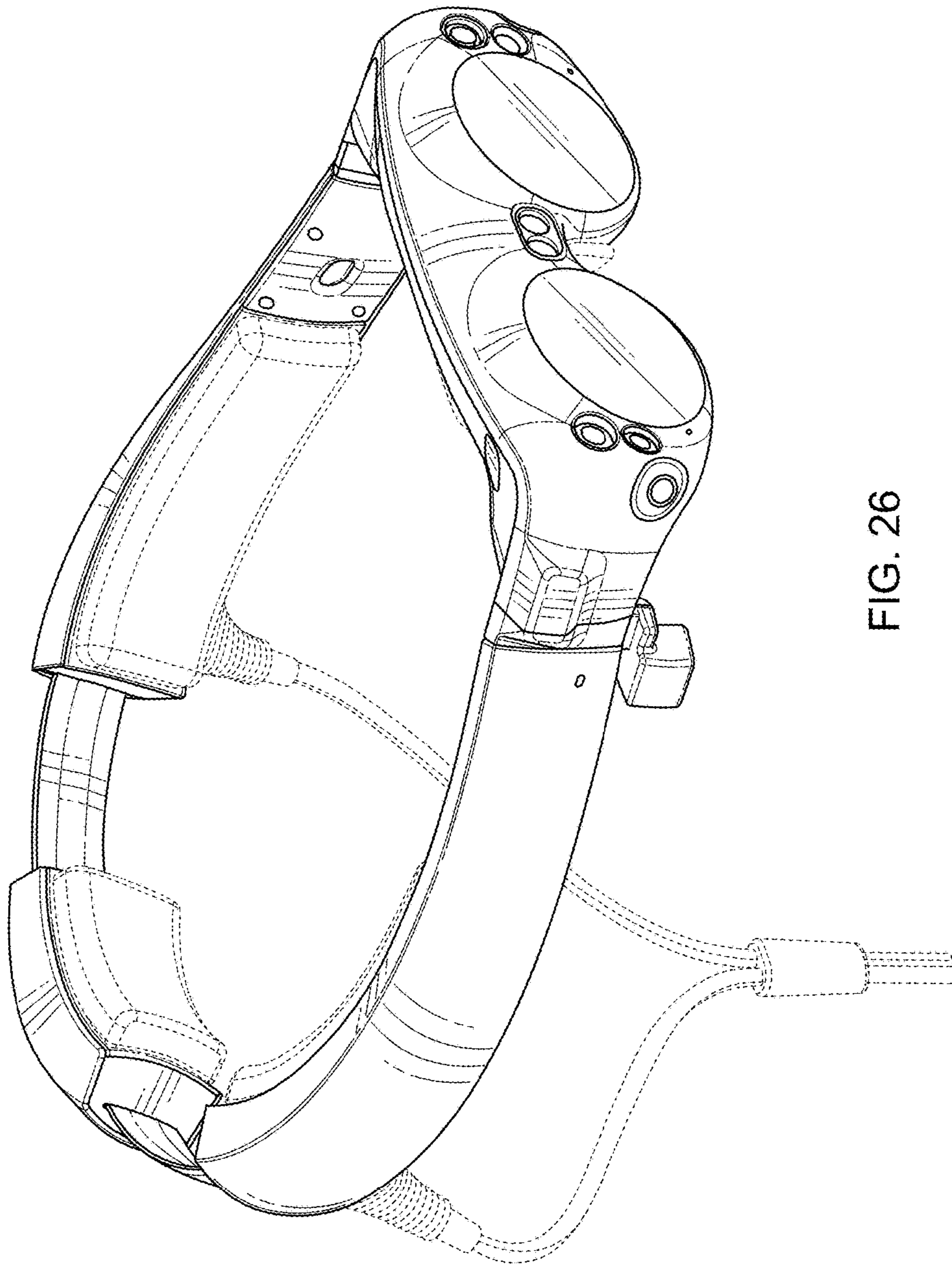


FIG. 26

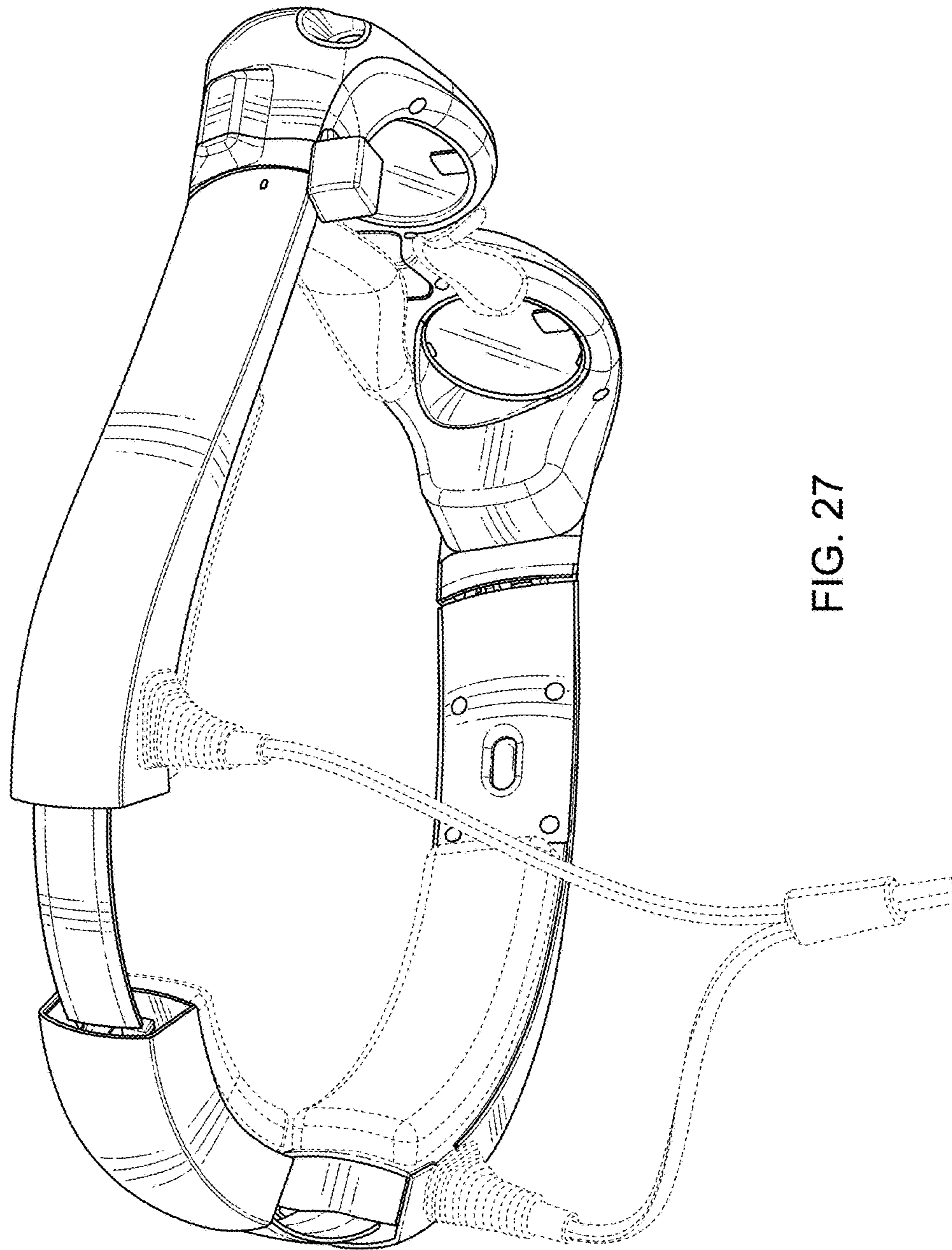


FIG. 27

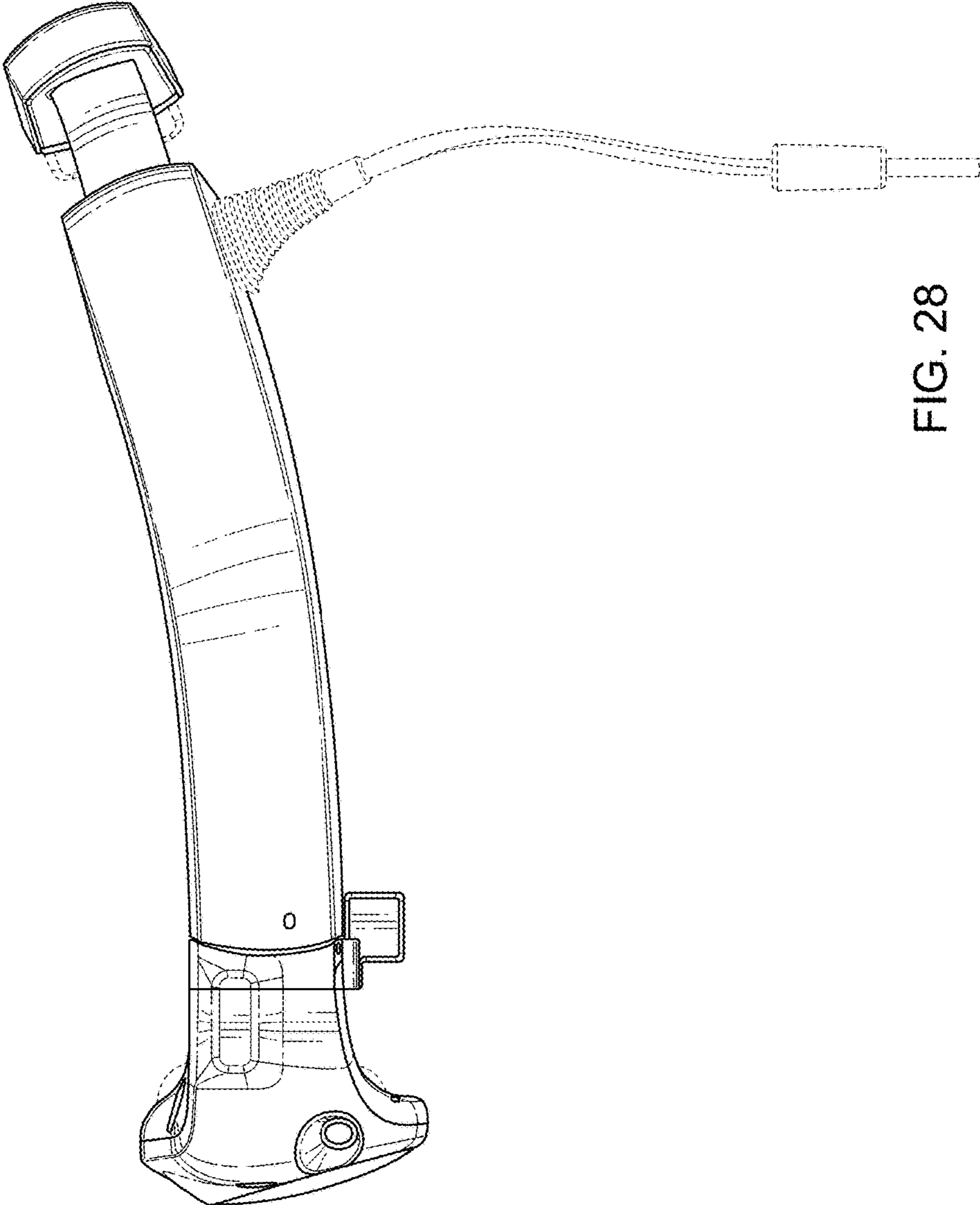


FIG. 28

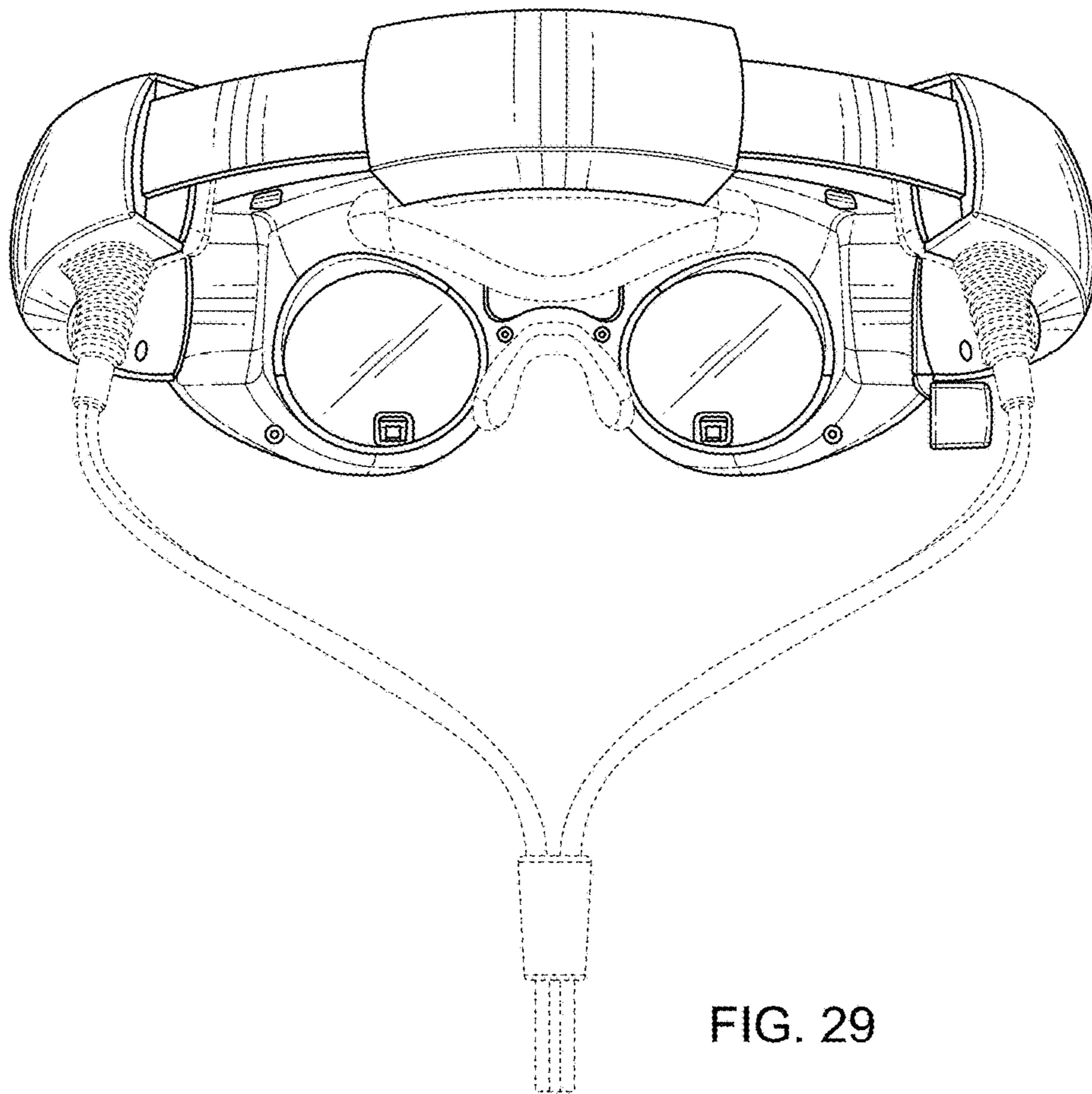


FIG. 29

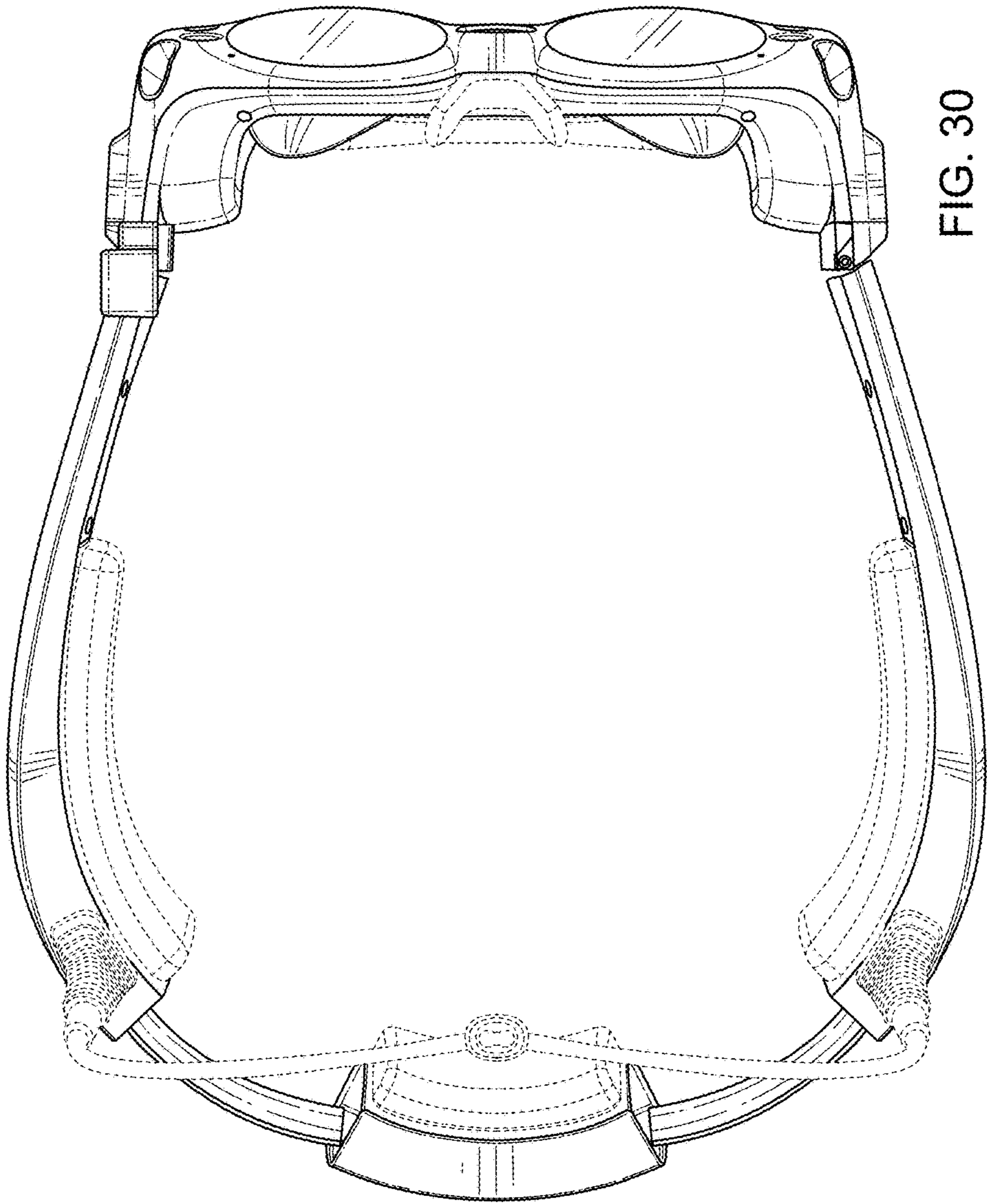


FIG. 30