

US00D845289S

(12) **United States Design Patent**  
**Chuang et al.**

(10) **Patent No.:** **US D845,289 S**  
(45) **Date of Patent:** **\*\* Apr. 9, 2019**

(54) **COVER FOR ELECTRONIC COMMUNICATIONS DEVICE**  
(71) Applicant: **Quanta Computer Inc.**, Taoyuan (TW)  
(72) Inventors: **Pu-Ching Chuang**, Taoyuan (TW);  
**Chu-Fu Wang**, Taoyuan (TW);  
**Chang-Ta Miao**, Taoyuan (TW);  
**Gwo-Chyuan Chen**, Taoyuan (TW)  
(73) Assignee: **QUANTA COMPUTER INC.**,  
Guishan Dist., Taoyuan (TW)  
(\*\*) Term: **15 Years**

|              |         |          |       |         |
|--------------|---------|----------|-------|---------|
| D658,165 S * | 4/2012  | Freeman  | ..... | D14/250 |
| D663,263 S * | 7/2012  | Gupta    | ..... | D13/103 |
| D671,493 S * | 11/2012 | Hasbrook | ..... | D13/108 |
| D677,249 S * | 3/2013  | Li       | ..... | D14/250 |
| D685,737 S * | 7/2013  | de Jong  | ..... | D13/119 |
| D709,439 S * | 7/2014  | Ferber   | ..... | D13/103 |
| D710,795 S * | 8/2014  | Gupta    | ..... | D13/103 |
| D711,863 S * | 8/2014  | Wen      | ..... | D14/250 |
| D718,230 S * | 11/2014 | To       | ..... | D13/103 |
| D718,293 S * | 11/2014 | Namminga | ..... | D14/250 |
| D718,754 S * | 12/2014 | To       | ..... | D14/250 |
| D718,755 S * | 12/2014 | To       | ..... | D14/250 |
| D721,687 S * | 1/2015  | To       | ..... | D14/250 |
| D722,043 S * | 2/2015  | Requa    | ..... | D13/108 |
| D723,018 S * | 2/2015  | White    | ..... | D14/250 |

(Continued)

(21) Appl. No.: **29/589,694**  
(22) Filed: **Jan. 4, 2017**  
(30) **Foreign Application Priority Data**

*Primary Examiner* — Susan E Krakower  
*Assistant Examiner* — L. A. Grabenstetter  
(74) *Attorney, Agent, or Firm* — McClure, Qualey & Rodack, LLP

Dec. 1, 2016 (TW) ..... 105307260  
(51) **LOC (11) Cl.** ..... **14-03**  
(52) **U.S. Cl.**  
USPC ..... **D14/250**  
(58) **Field of Classification Search**  
USPC ..... D3/218, 232, 233, 239, 242, 245–251,  
D3/269, 273, 301, 303; D13/103, 107,  
D13/108, 119; D14/137, 138 R, 138 AA,  
D14/138 C, 138 G, 203.3–203.7, 217,  
D14/238.1, 247, 248, 250, 251–253, 440  
CPC ..... H04B 1/3888; H04M 1/0283; H04M  
1/0202; A45C 1/06; A45C 2011/002;  
A45C 11/00; A45F 2005/028; A45F  
2200/0525  
See application file for complete search history.

(57) **CLAIM**

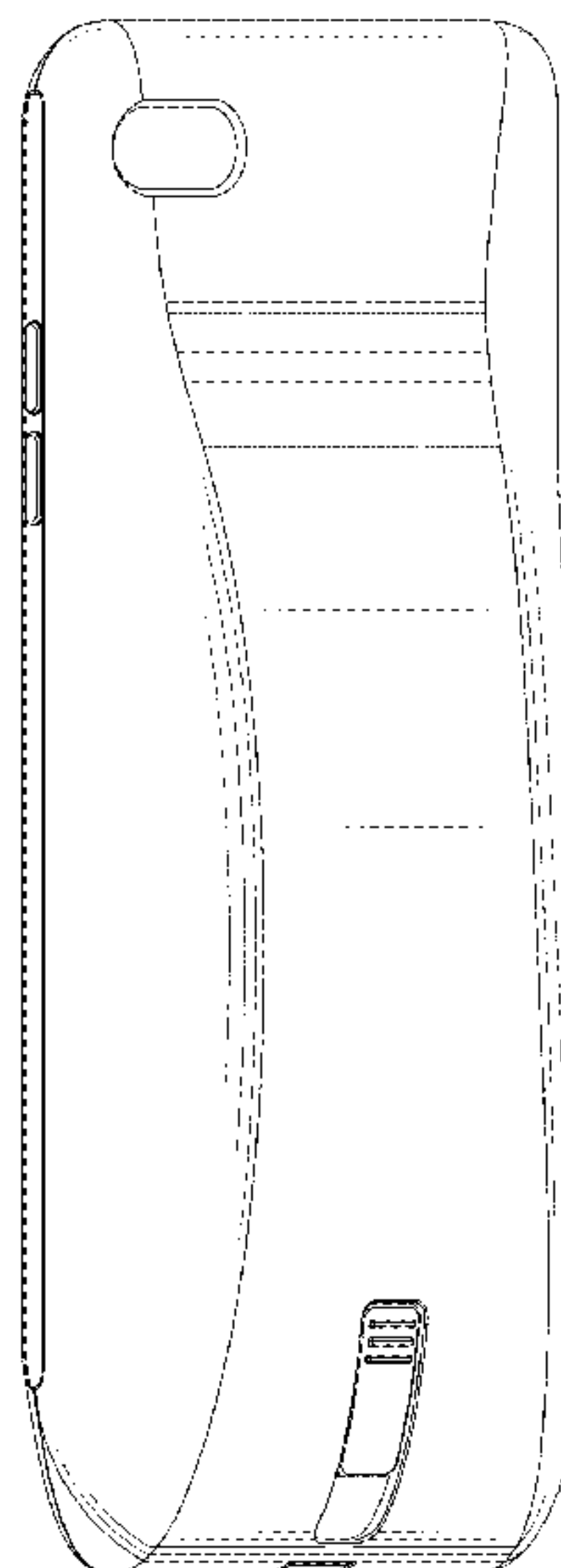
The ornamental design for a cover for electronic communications device, as shown and described.

**DESCRIPTION**

FIG. 1 is a front, left-side perspective view of a cover for electronic communications device, showing our new design; FIG. 2 is a front view thereof; FIG. 3 is a rear view thereof; FIG. 4 is a left side view thereof; FIG. 5 is a right side view thereof; FIG. 6 is a top view thereof; FIG. 7 is a bottom view thereof; FIG. 8 is a rear, right-side perspective view thereof; FIG. 9 is a top, rear, left-side perspective view thereof; and, FIG. 10 is a bottom, rear, left-side perspective view thereof.

(56) **References Cited**  
U.S. PATENT DOCUMENTS  
D616,361 S \* 5/2010 Huang ..... D13/103  
D623,640 S \* 9/2010 Freeman ..... D14/250

**1 Claim, 9 Drawing Sheets**



(56)

**References Cited**

U.S. PATENT DOCUMENTS

|              |      |        |                |                        |
|--------------|------|--------|----------------|------------------------|
| D723,530     | S *  | 3/2015 | Namminga ..... | D14/250                |
| D727,883     | S *  | 4/2015 | Brand .....    | D14/250                |
| D728,468     | S *  | 5/2015 | Ferber .....   | D13/103                |
| D732,012     | S *  | 6/2015 | Tsai .....     | D14/250                |
| D756,909     | S *  | 5/2016 | Gupta .....    | D13/103                |
| 2010/0124040 | A1 * | 5/2010 | Diebel .....   | G06F 1/1628<br>361/816 |
| 2012/0088558 | A1 * | 4/2012 | Song .....     | H04M 1/18<br>455/575.1 |

\* cited by examiner

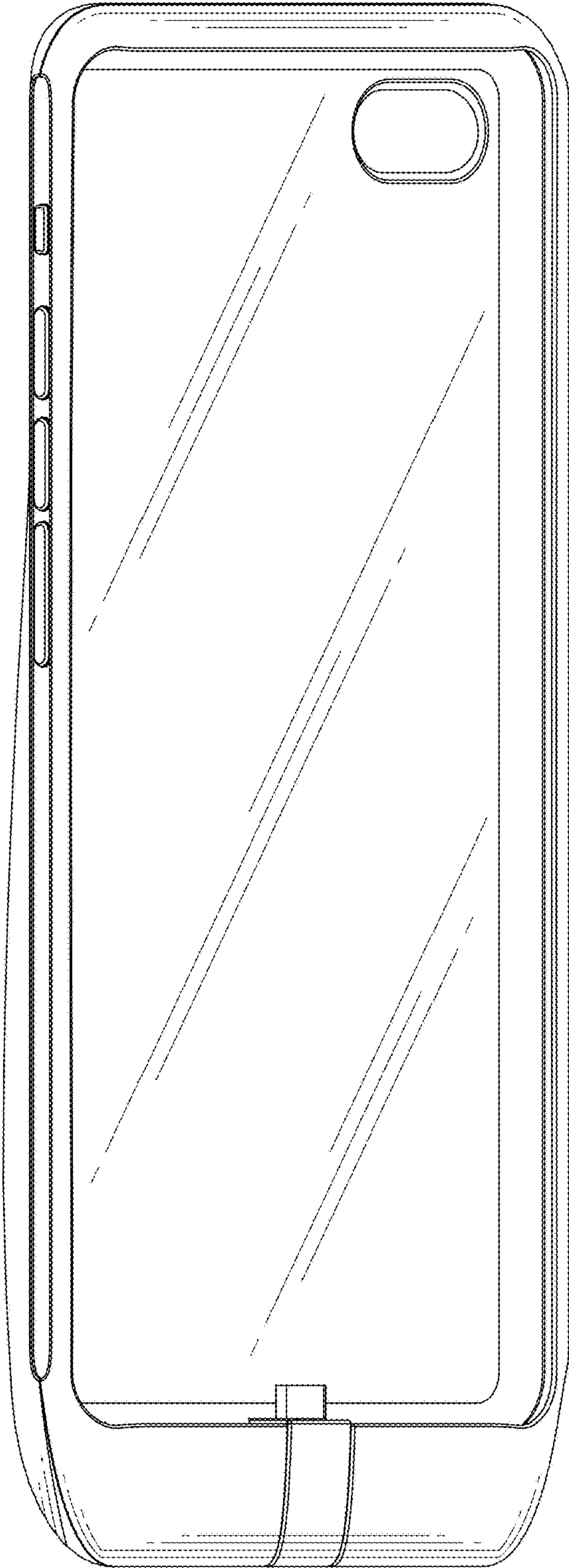


FIG. 1

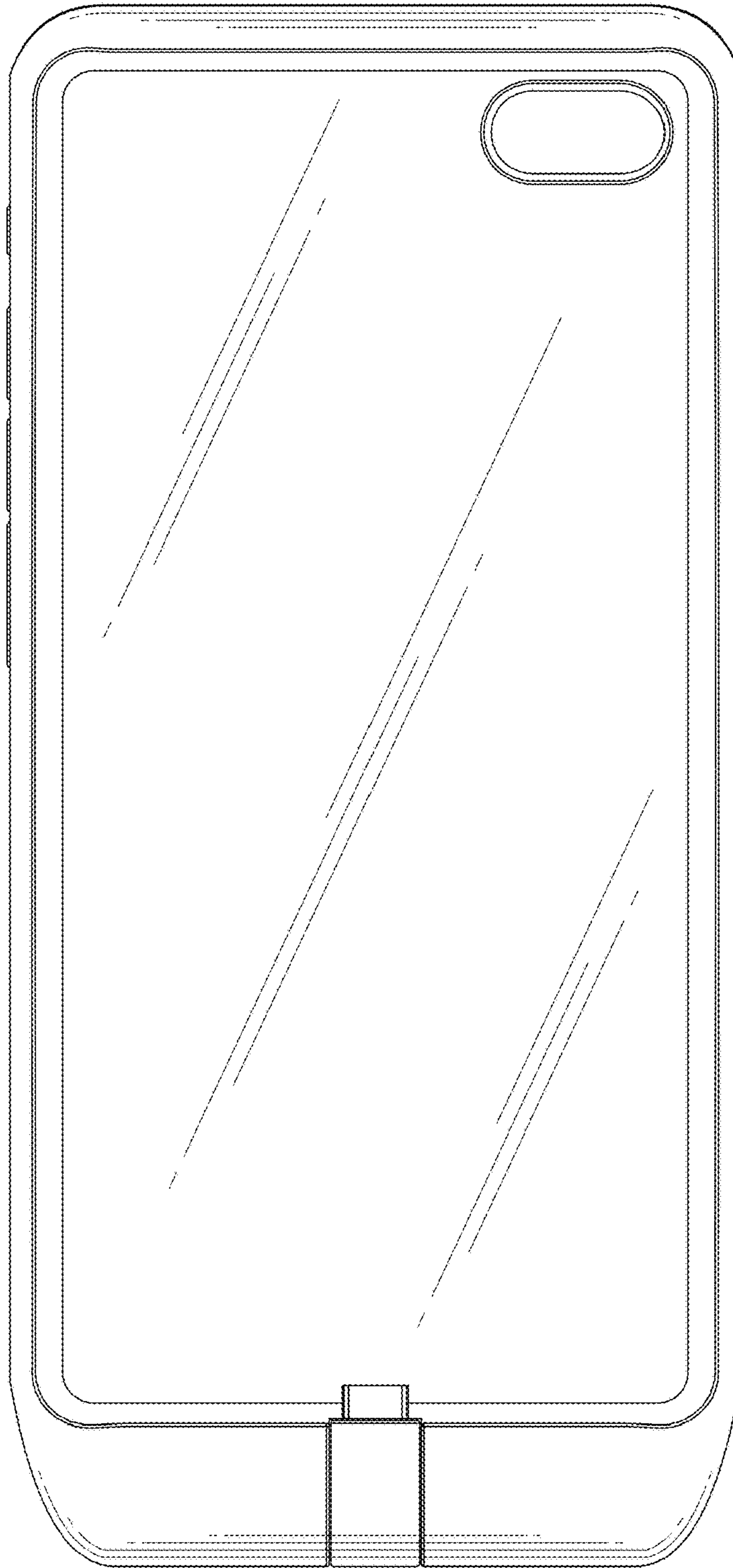


FIG. 2

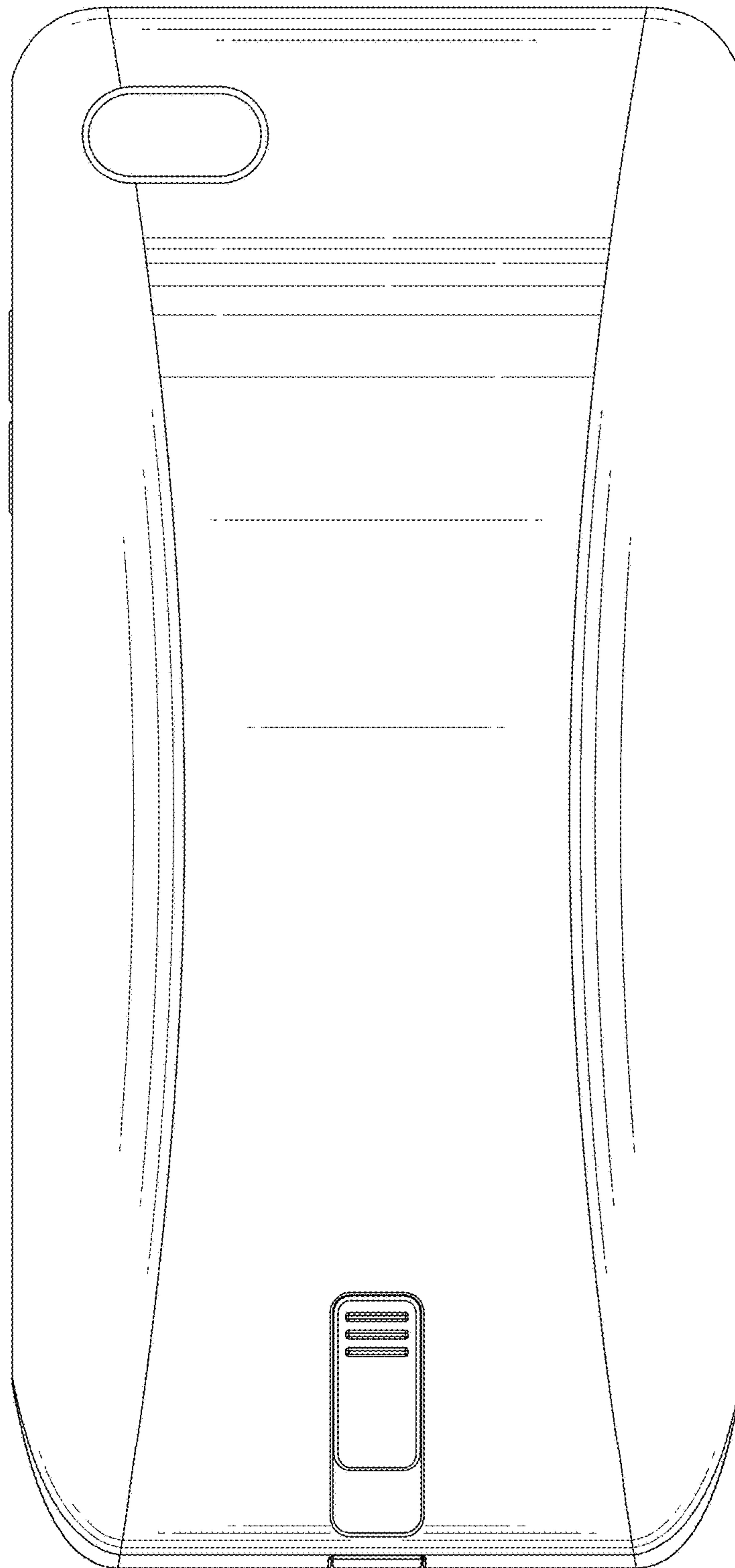


FIG. 3



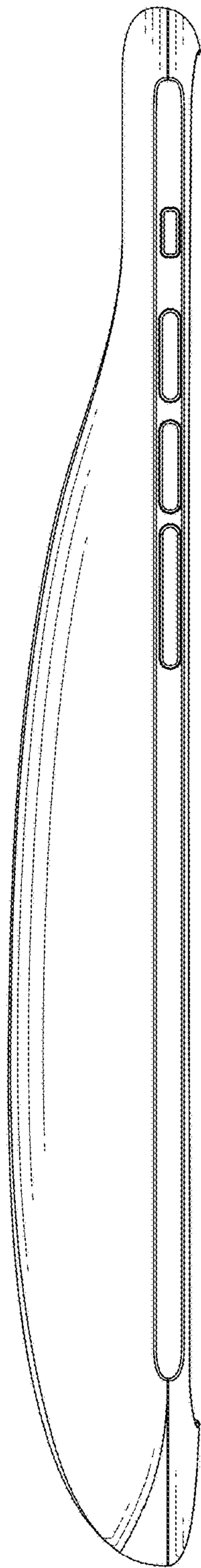


FIG. 4

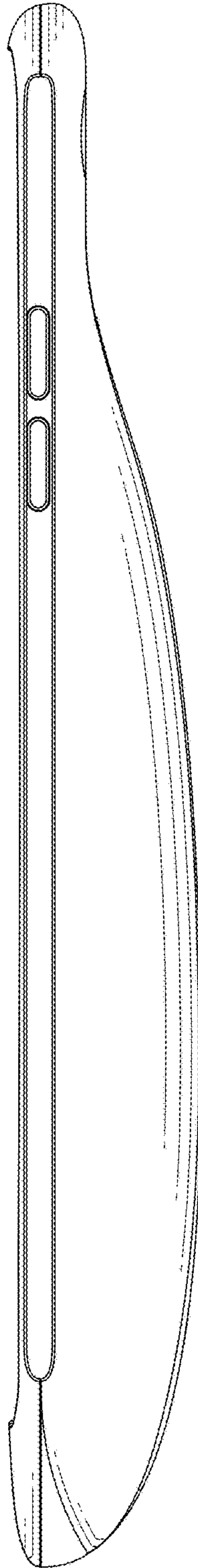


FIG. 5

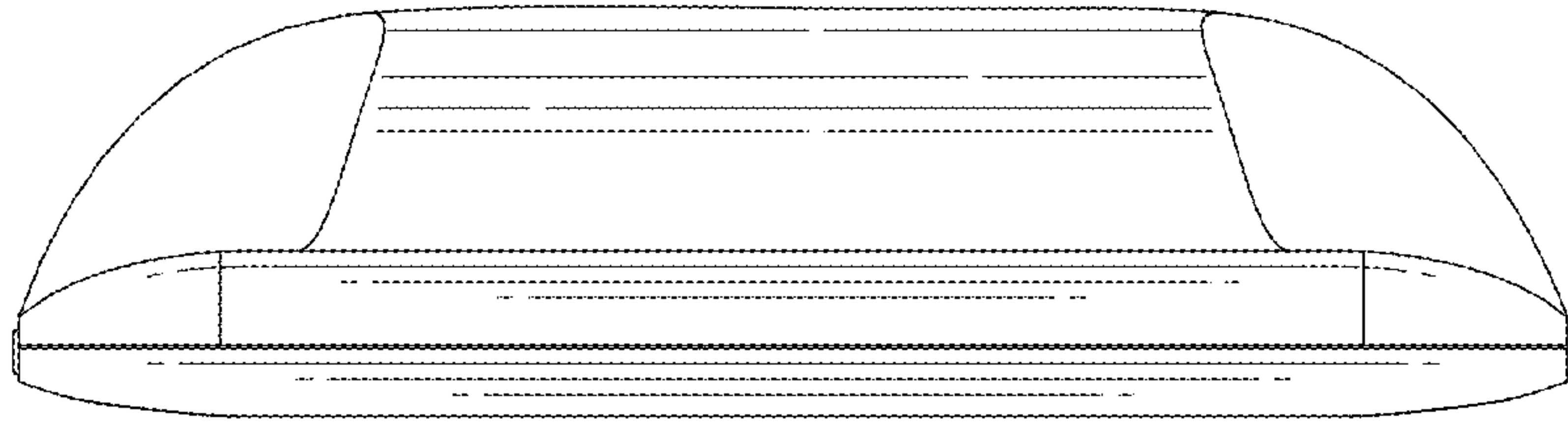


FIG. 6

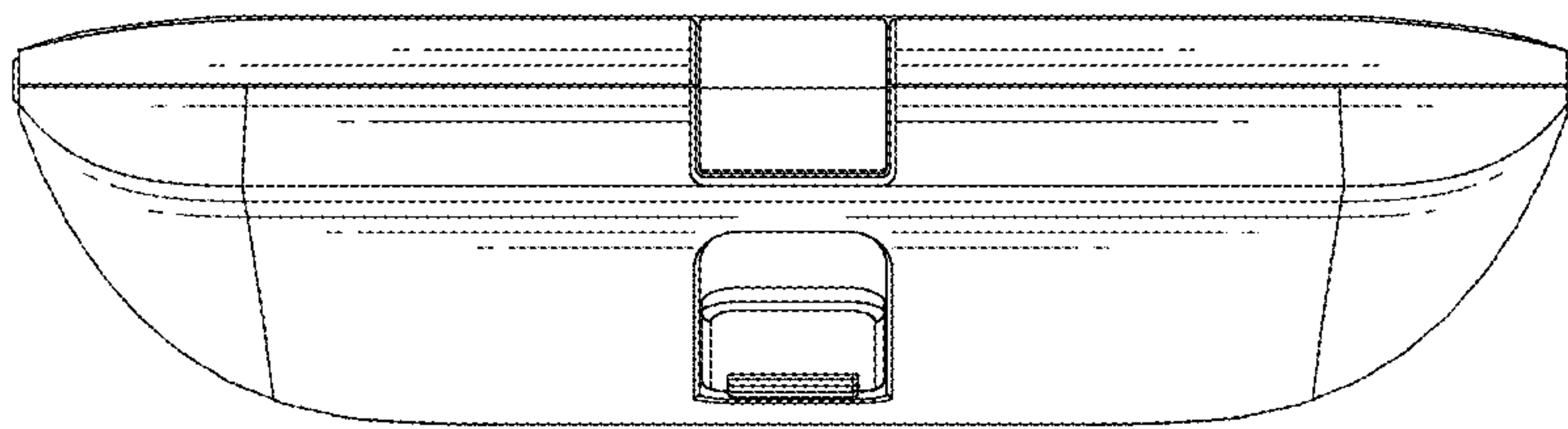


FIG. 7



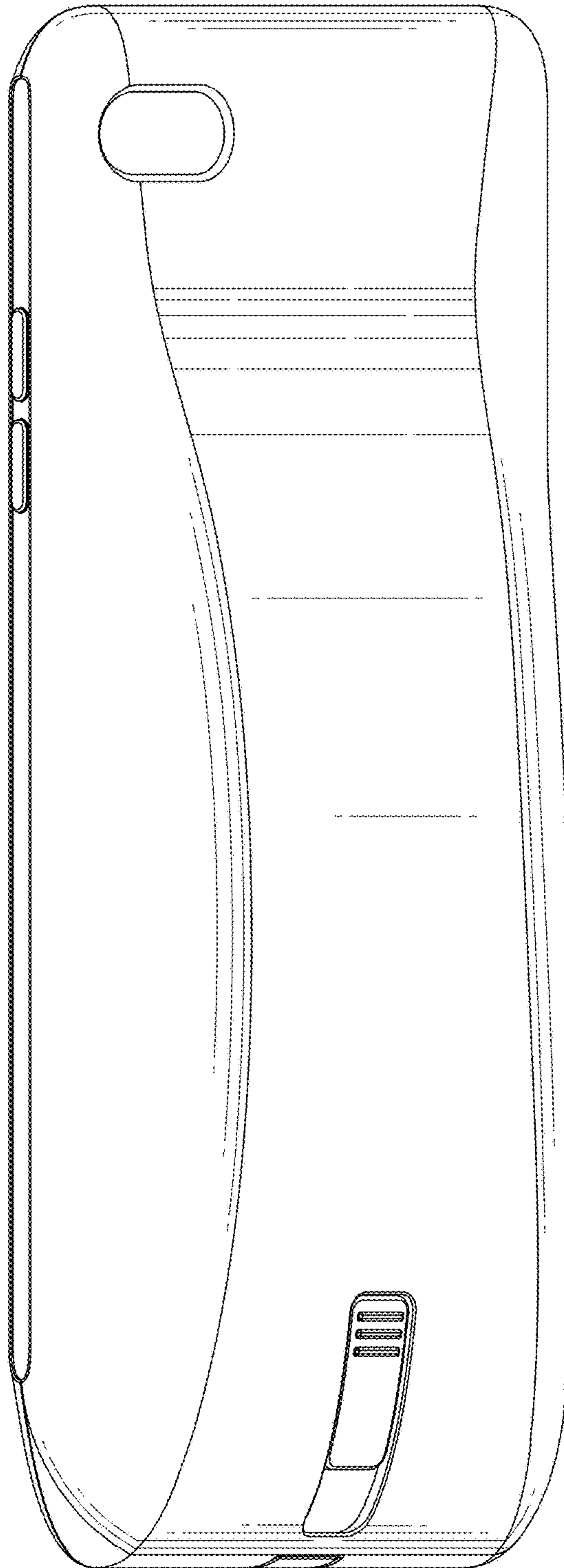


FIG. 8

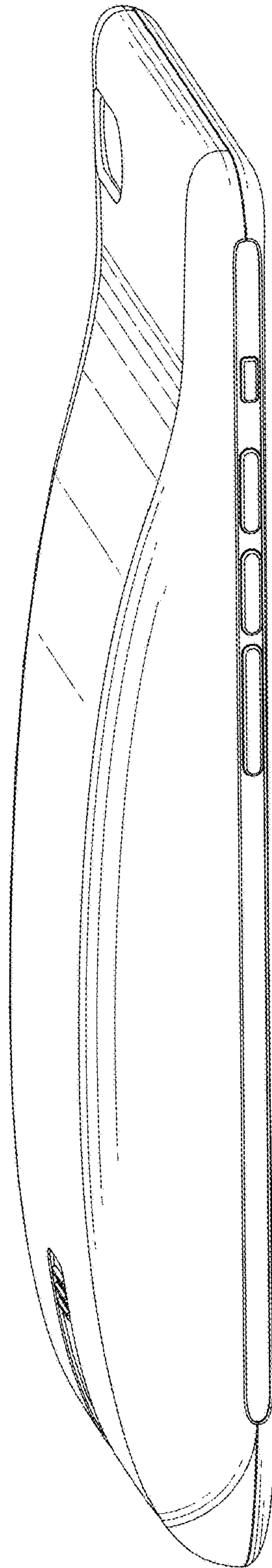


FIG. 9

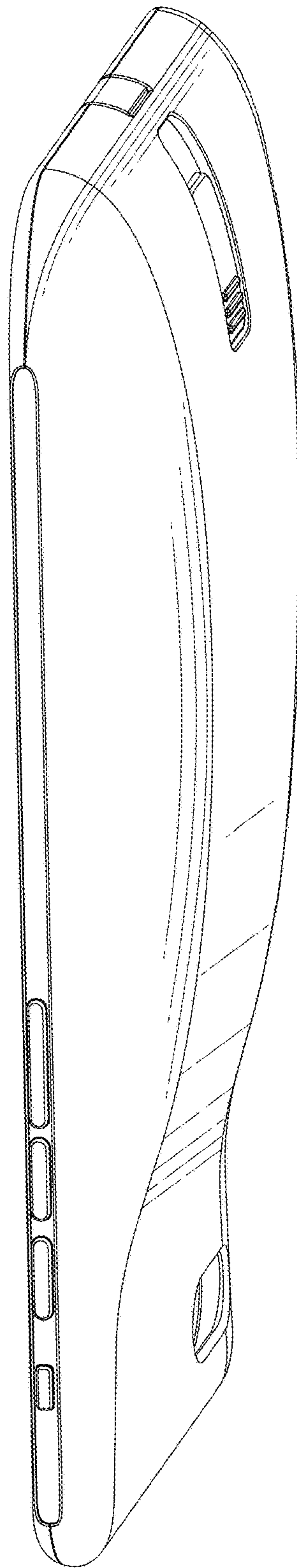


FIG. 10