



US00D845286S

(12) **United States Design Patent** (10) **Patent No.:** **US D845,286 S**  
**Lindo et al.** (45) **Date of Patent:** **\*\* Apr. 9, 2019**

(54) **TILT ARM ASSEMBLY**

OTHER PUBLICATIONS

(71) Applicant: **Southco, Inc.**, Concordville, PA (US)

AccessPoint Mobile Computing; InterMetro Industries Corporation, Wilkes Barre, PA; PDF Catalogue; Mar. 2015; <http://pdf.medicalexpo.com/pdf/intermetro-bv/accesspoint-mobile-computing/76826-150359.html>; 17 pages.

(72) Inventors: **Benjamin Gerald Lindo**, Philadelphia, PA (US); **Glenn Eric Anderson**, Malvern, PA (US)

\* cited by examiner

(73) Assignee: **SOUTHCO, INC.**, Concordville, PA (US)

*Primary Examiner* — Randall H Gholson

(74) *Attorney, Agent, or Firm* — RatnerPrestia

(\*\*) Term: **15 Years**

(57) **CLAIM**

(21) Appl. No.: **29/610,760**

The ornamental design for a tilt arm assembly, as shown and described.

(22) Filed: **Jul. 14, 2017**

**DESCRIPTION**

(51) **LOC (11) Cl.** ..... **14-03**

(52) **U.S. Cl.**

USPC ..... **D14/239**

(58) **Field of Classification Search**

USPC ..... D14/239, 371, 136, 374-377; D8/363, D8/373, 349, 394; 248/465, 917-924, 248/123.11; 348/825, 827, 836, 837, 838, 348/180, 184, 325, 739; 600/443; D6/477-479, 407, 474, 460, 461, 468; 312/7.2; 341/12; 345/87, 104, 133, 156, 345/168, 169, 173; 720/605, 669, 600, 720/655; 369/99, 197; 455/344-347; 349/1, 2, 11, 62; 108/59, 91, 92, 96; 211/40, 41.12, 42, 49.1, 50, 85.2, 90.04, 211/187, 190, 119.003, 134.1, 53, 87.01, 211/71.01

CPC ..... A47B 43/00; G03B 1/00

See application file for complete search history.

FIG. 1 is an isometric view of a tilt arm assembly; FIG. 2 is a front elevation view thereof; FIG. 3 is a rear elevation view thereof; FIG. 4 is a left side elevation view thereof; FIG. 5 is a right side elevation view thereof; FIG. 6 is a top plan view thereof; FIG. 7 is a bottom plan view thereof; FIGS. 8 and 9 are isometric views thereof, wherein the tilt arm assembly is shown in a tilted state; FIG. 10 is a front elevation view of the tilt arm assembly shown in the tilted state; FIG. 11 is a rear elevation view of the tilt arm assembly shown in the tilted state; FIG. 12 is a left side elevation view of the tilt arm assembly shown in the tilted state; FIG. 13 is a right side elevation view of the tilt arm assembly shown in the tilted state; FIG. 14 is a top plan view of the tilt arm assembly shown in the tilted state; and, FIG. 15 is a bottom plan view of the tilt arm assembly shown in the tilted state.

The broken line showing of the tilt arm assembly is for the purpose of illustrating portions of the tilt arm assembly and forms no part of the claimed design.

(56) **References Cited**

U.S. PATENT DOCUMENTS

D682,258 S 5/2013 Anderson  
D709,074 S \* 7/2014 Tsui ..... D14/447  
D753,128 S \* 4/2016 Anderson ..... D14/239

**1 Claim, 15 Drawing Sheets**



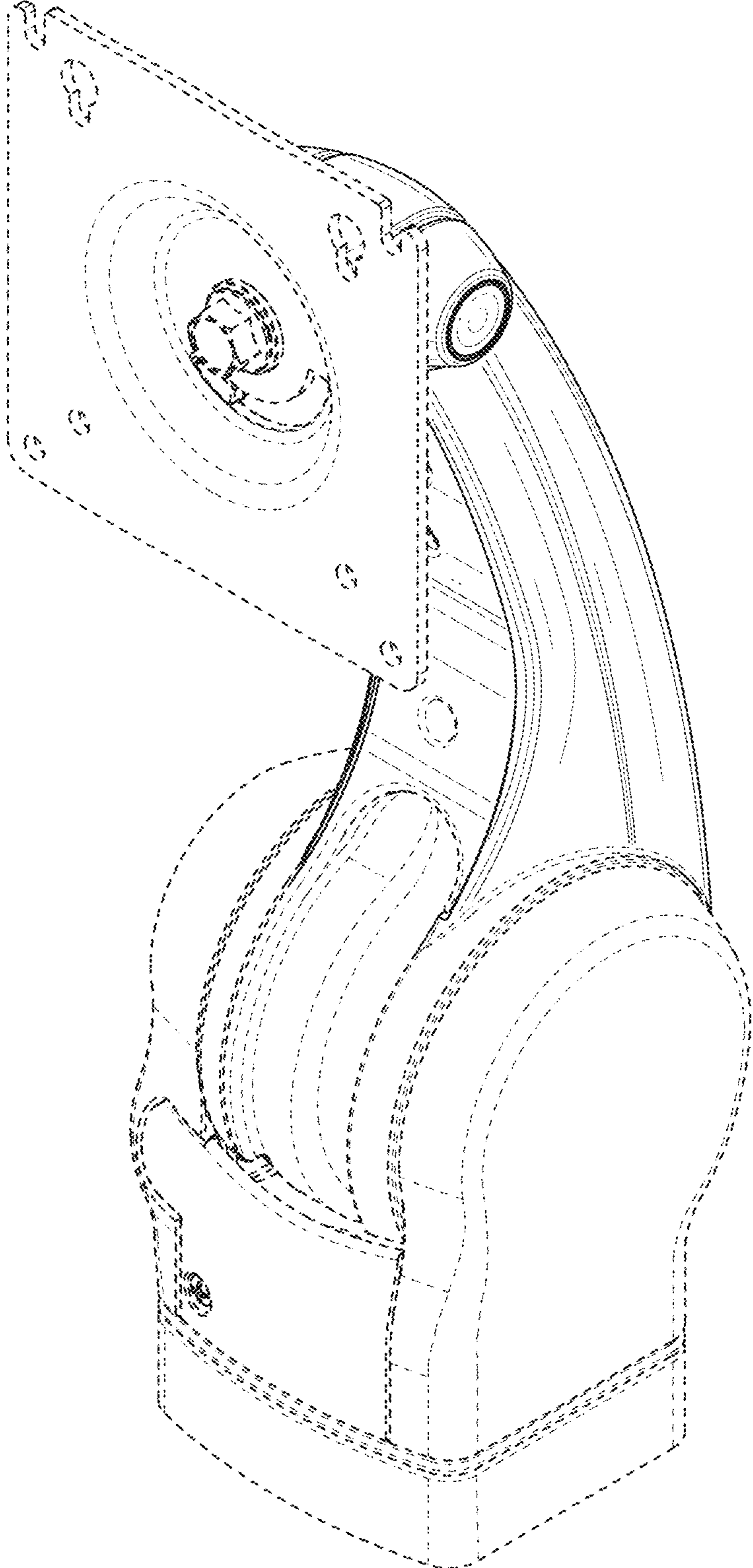


FIG 1

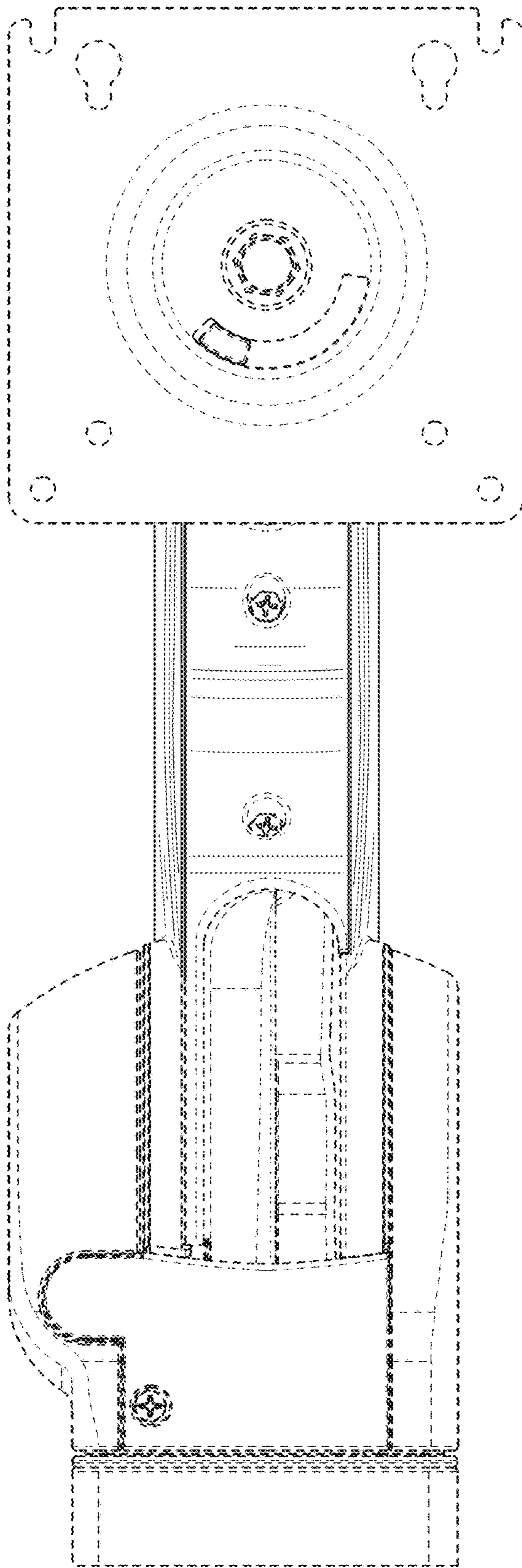


FIG 2

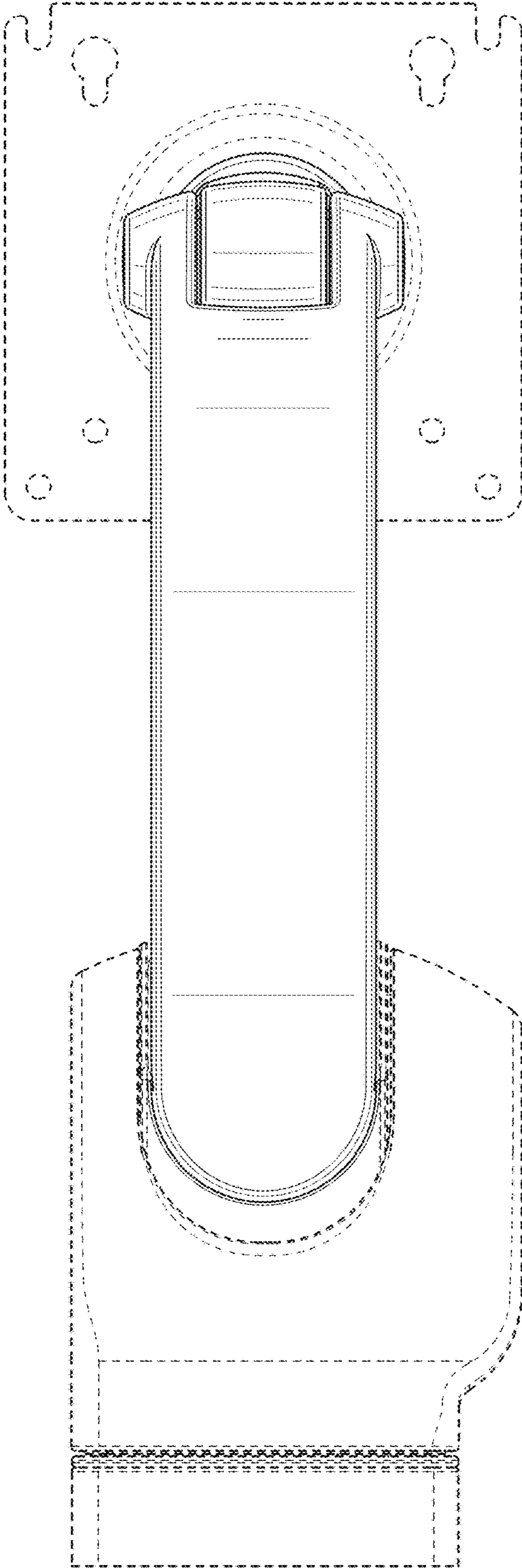


FIG 3

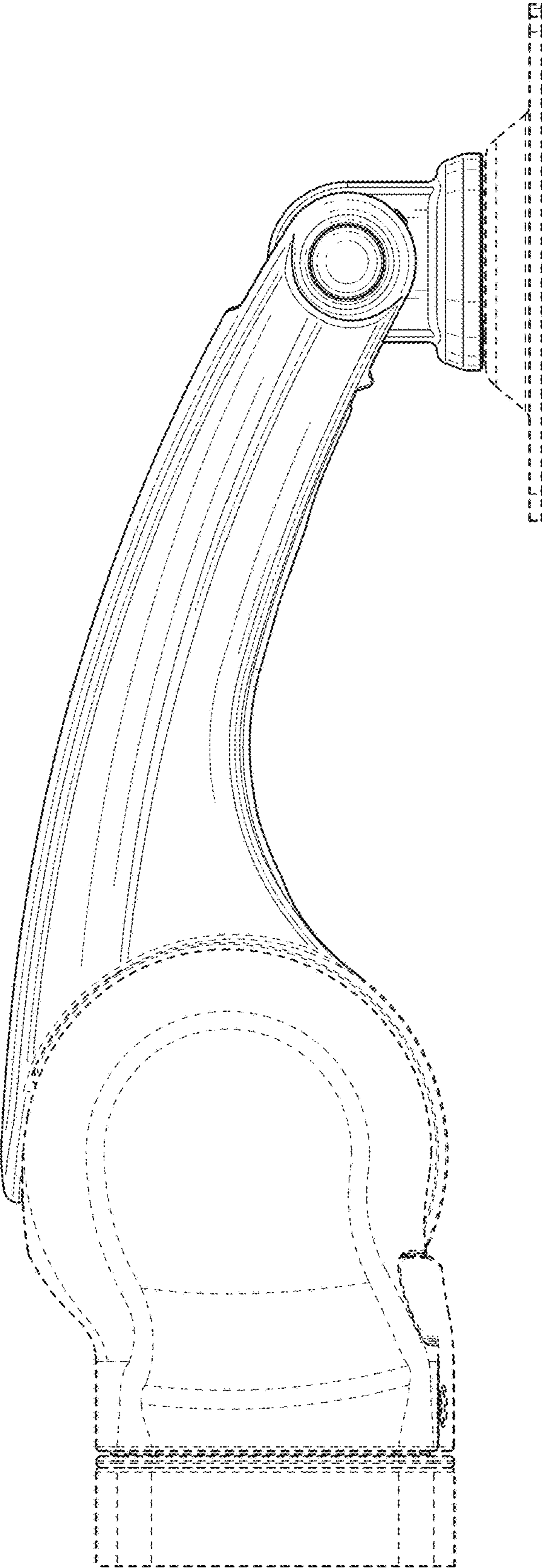


FIG 4

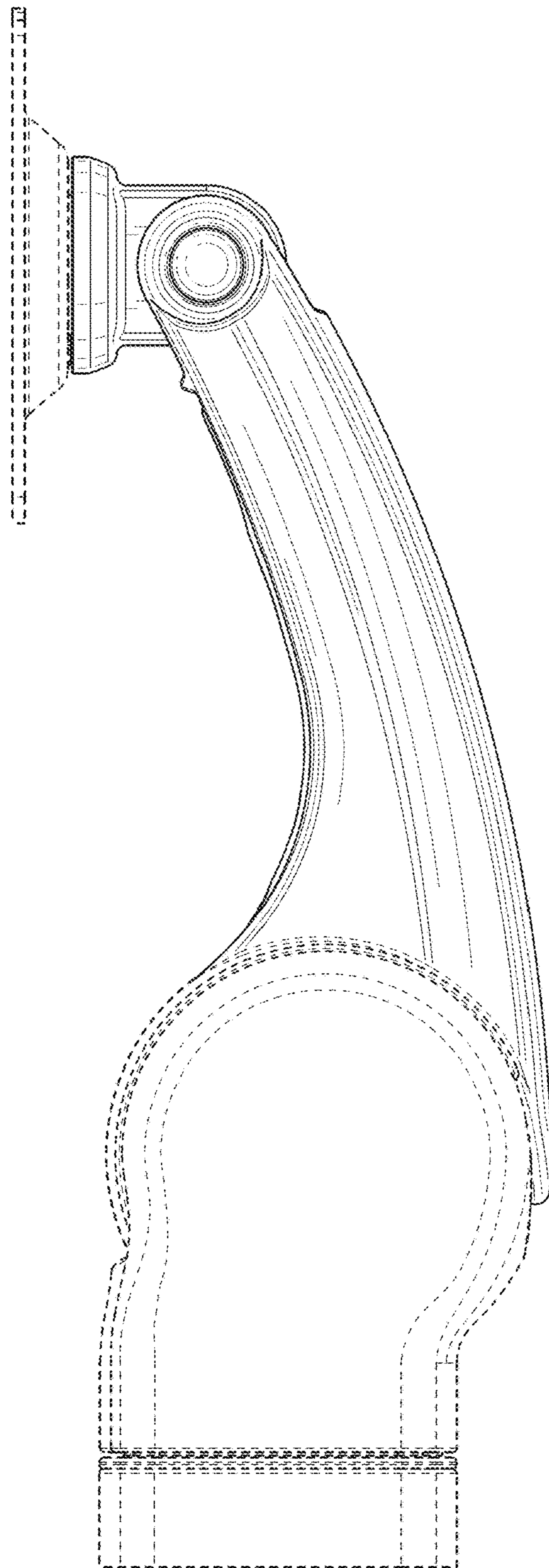


FIG 5

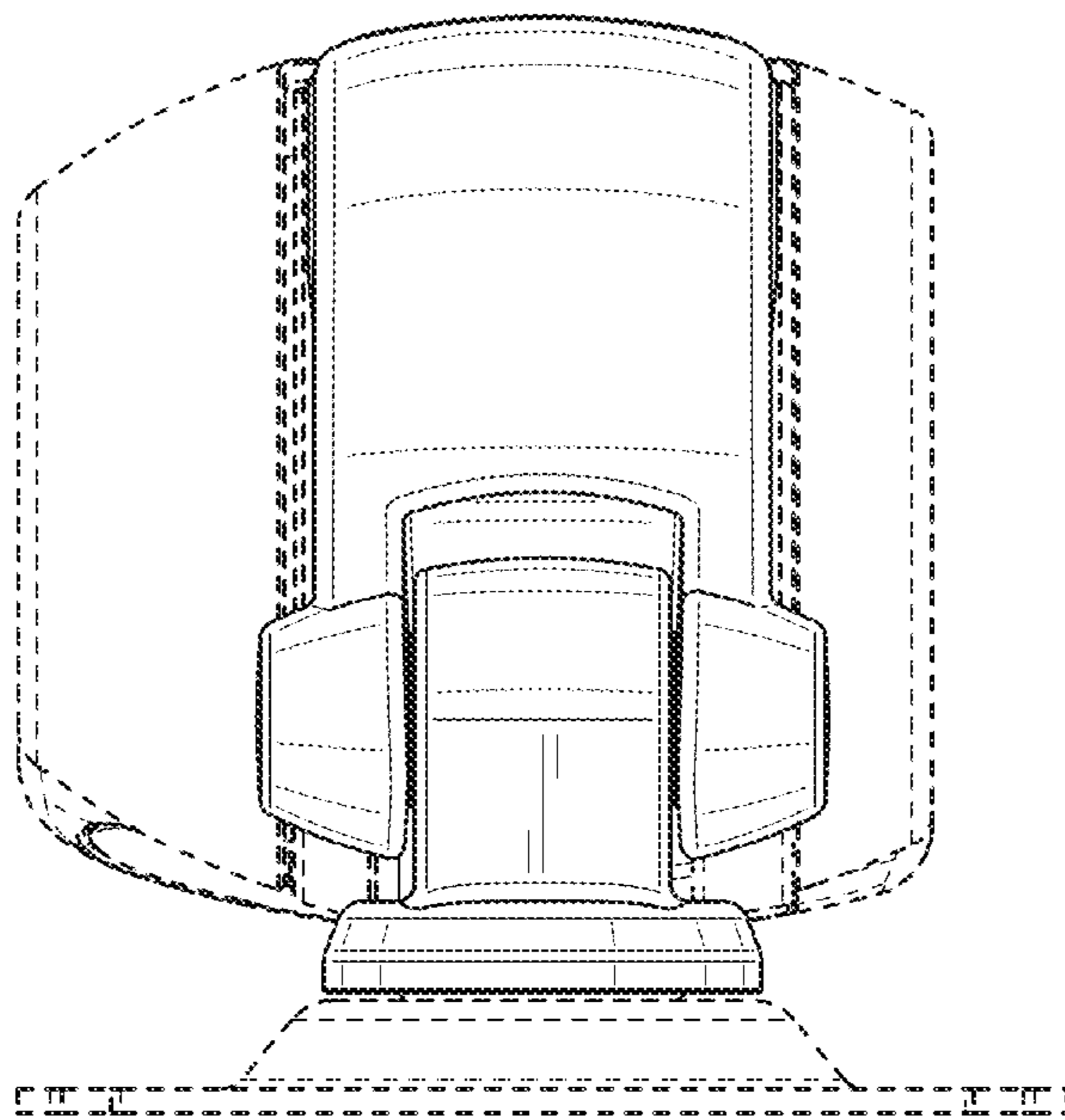


FIG 6

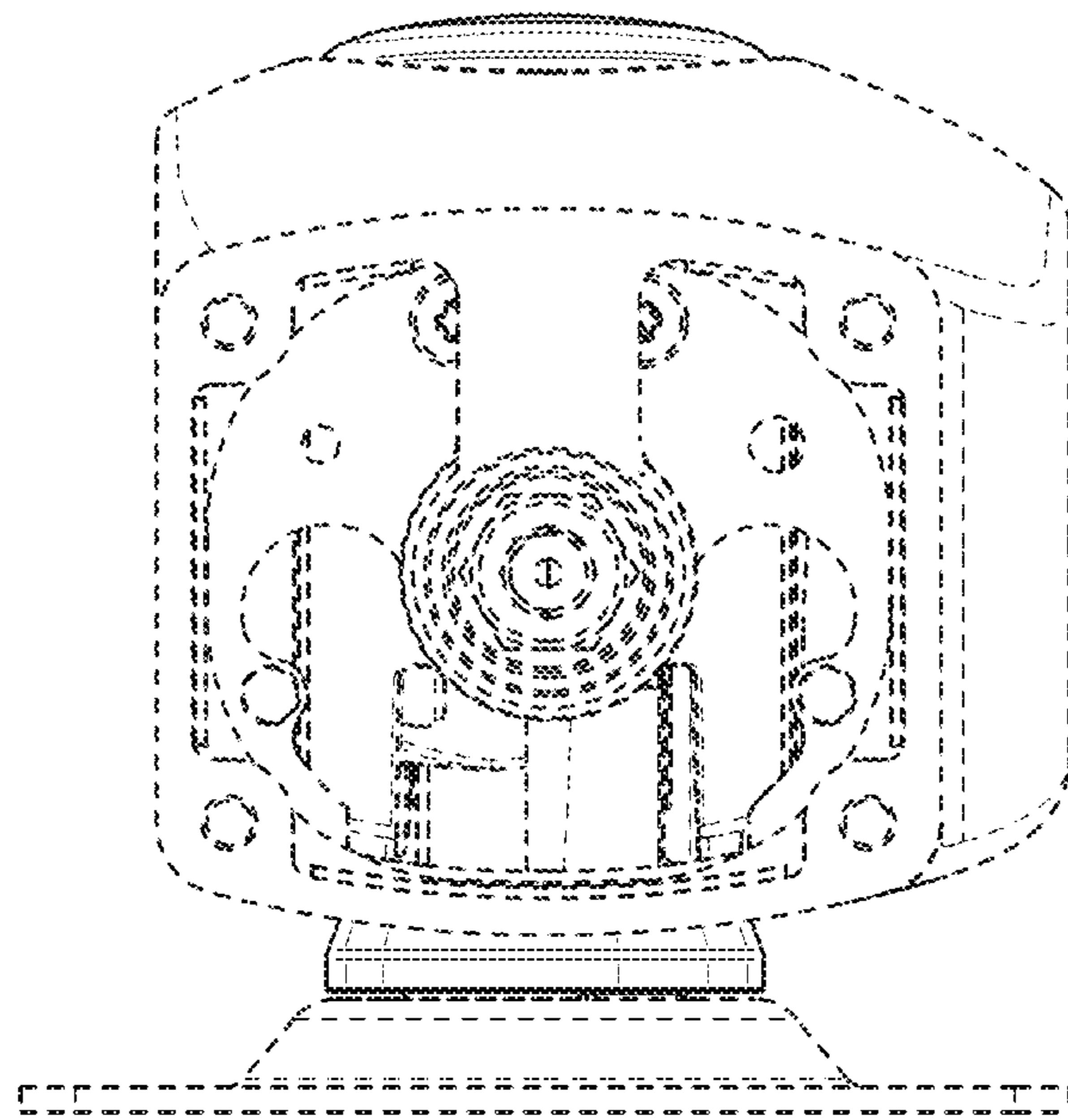


FIG 7



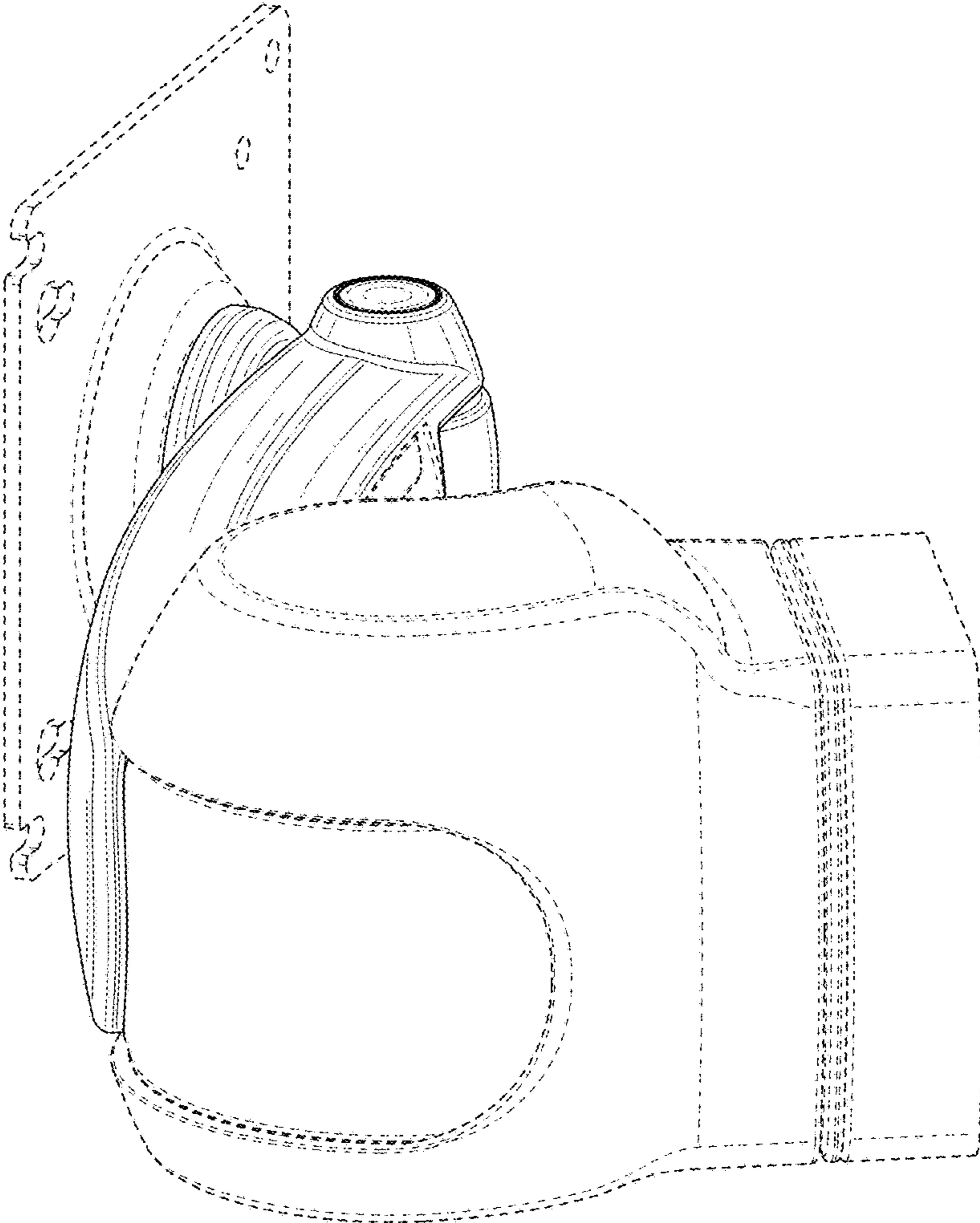
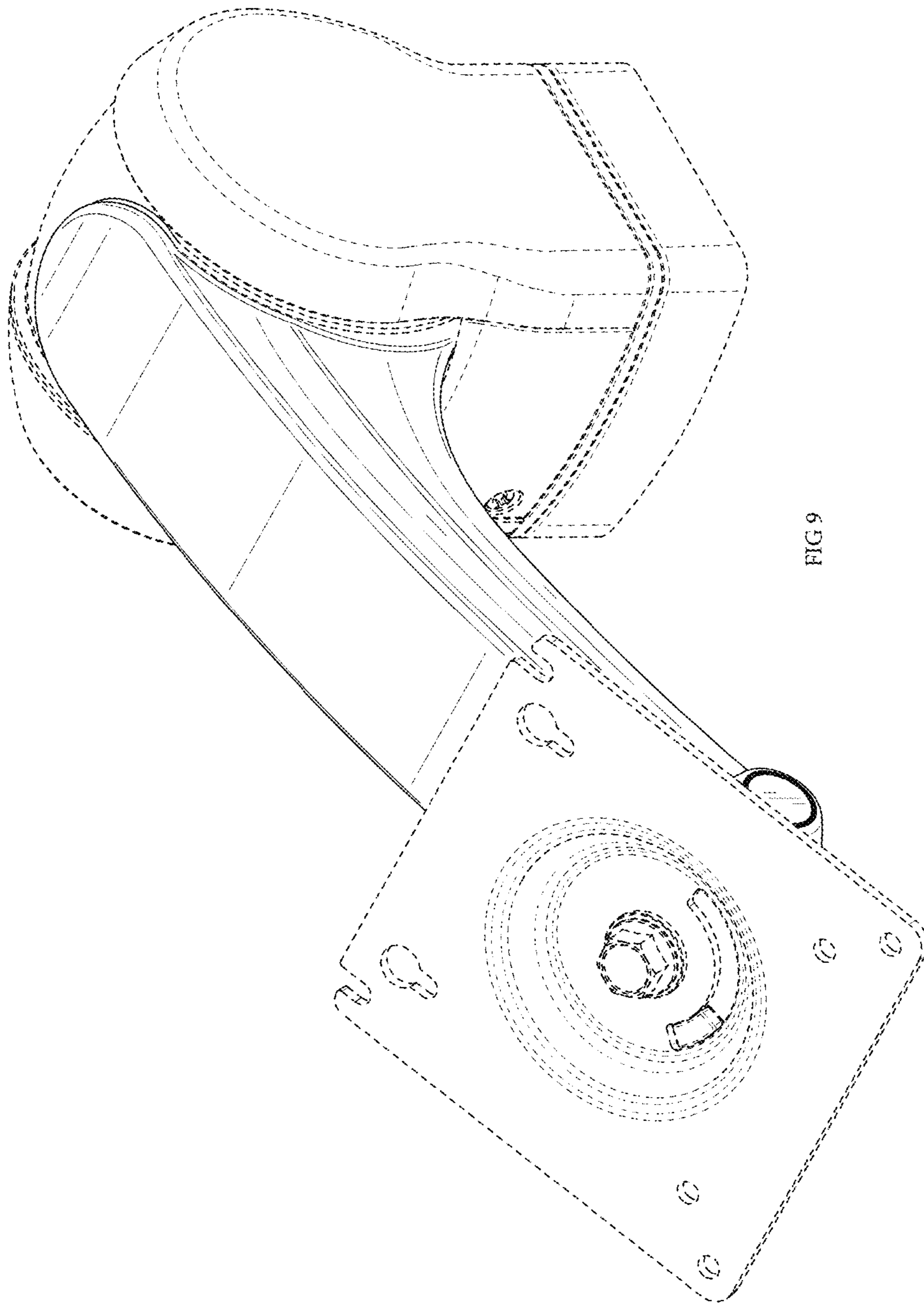


FIG 8



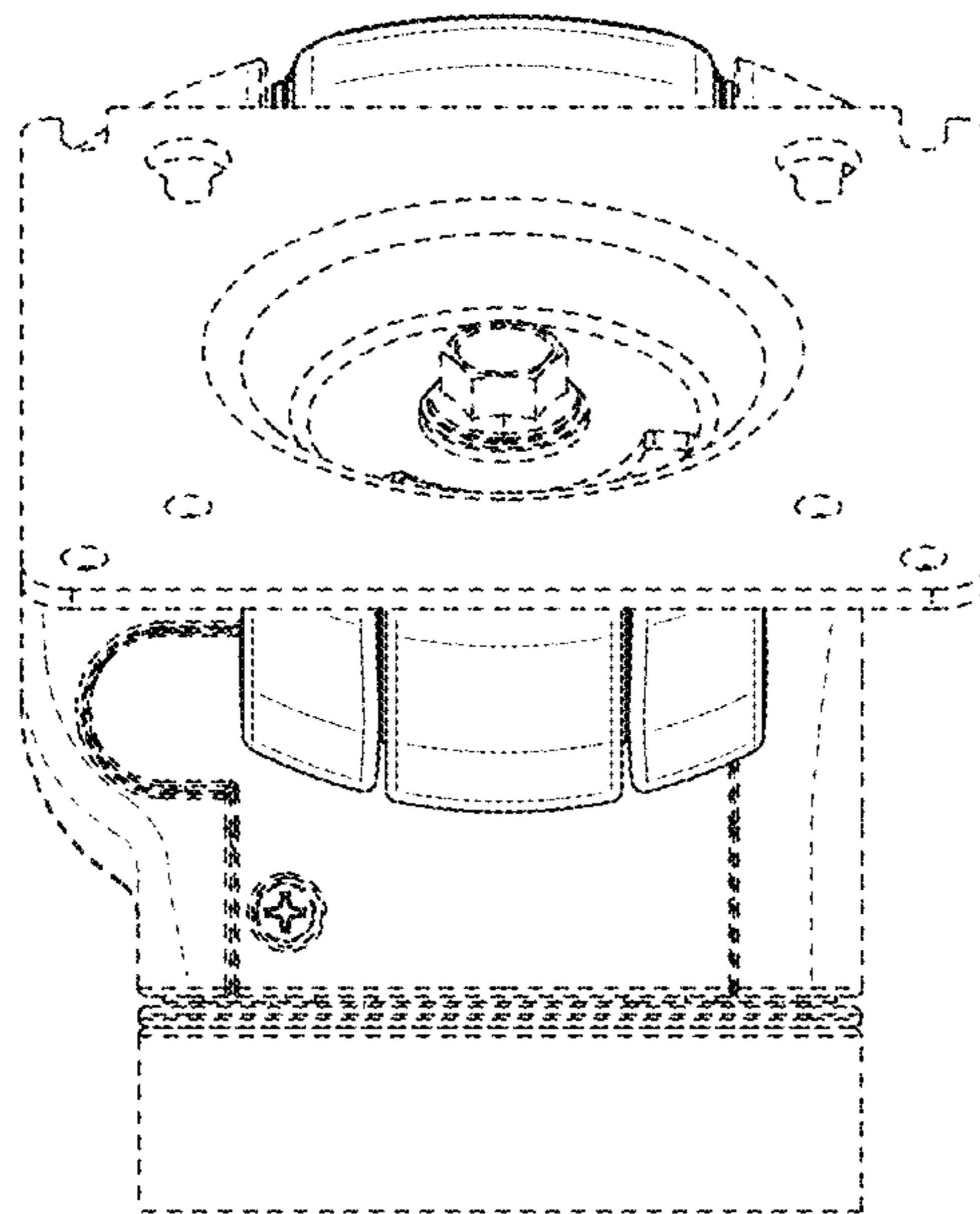


FIG 10

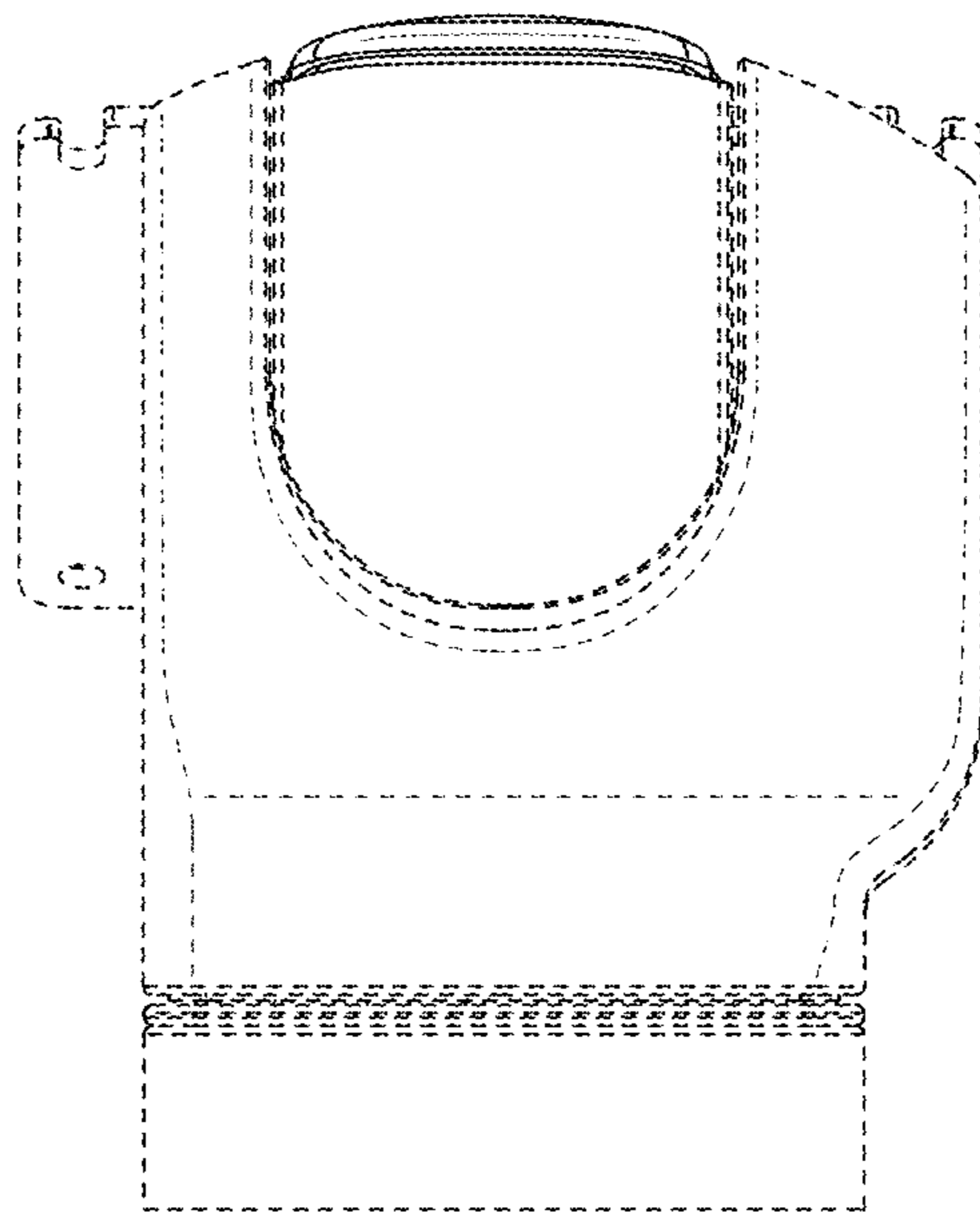


FIG 11

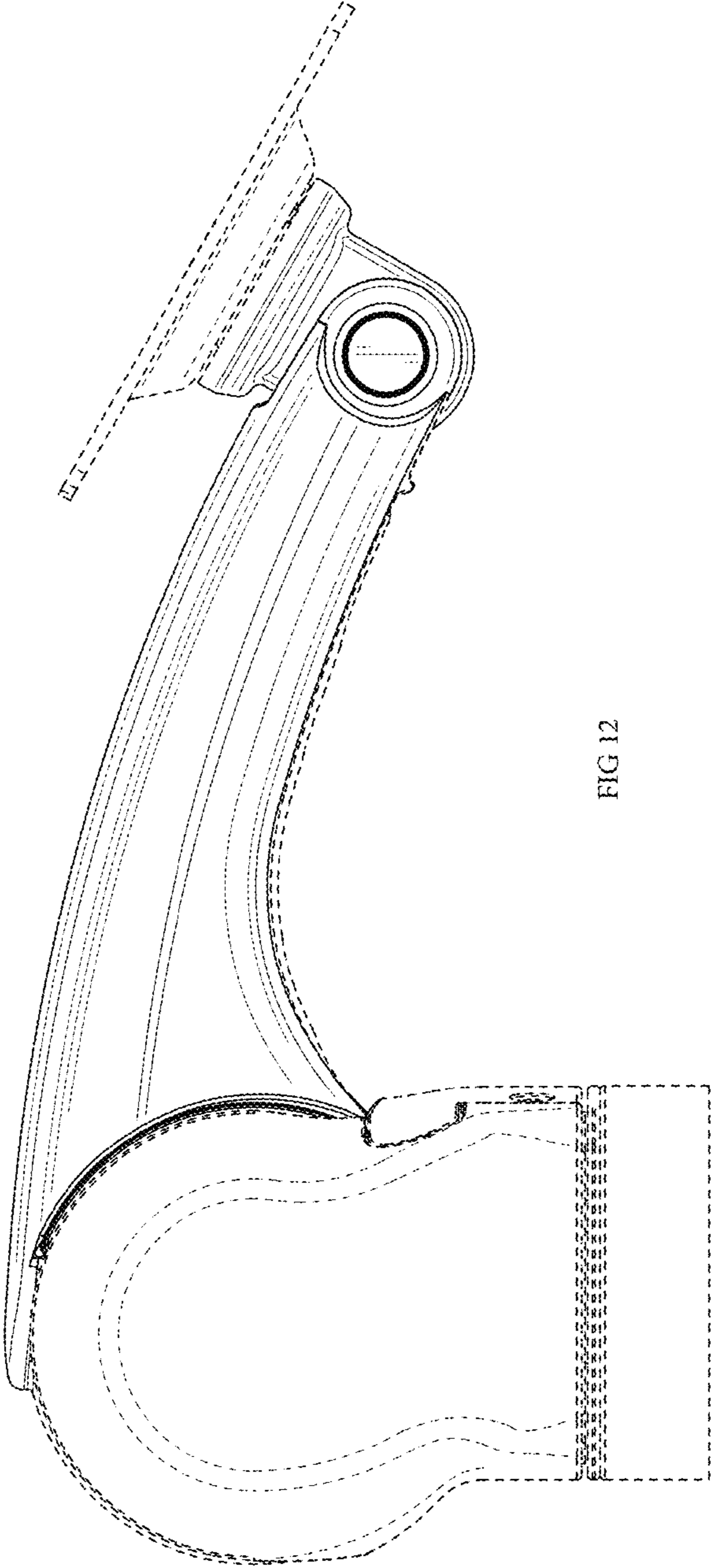


FIG 12

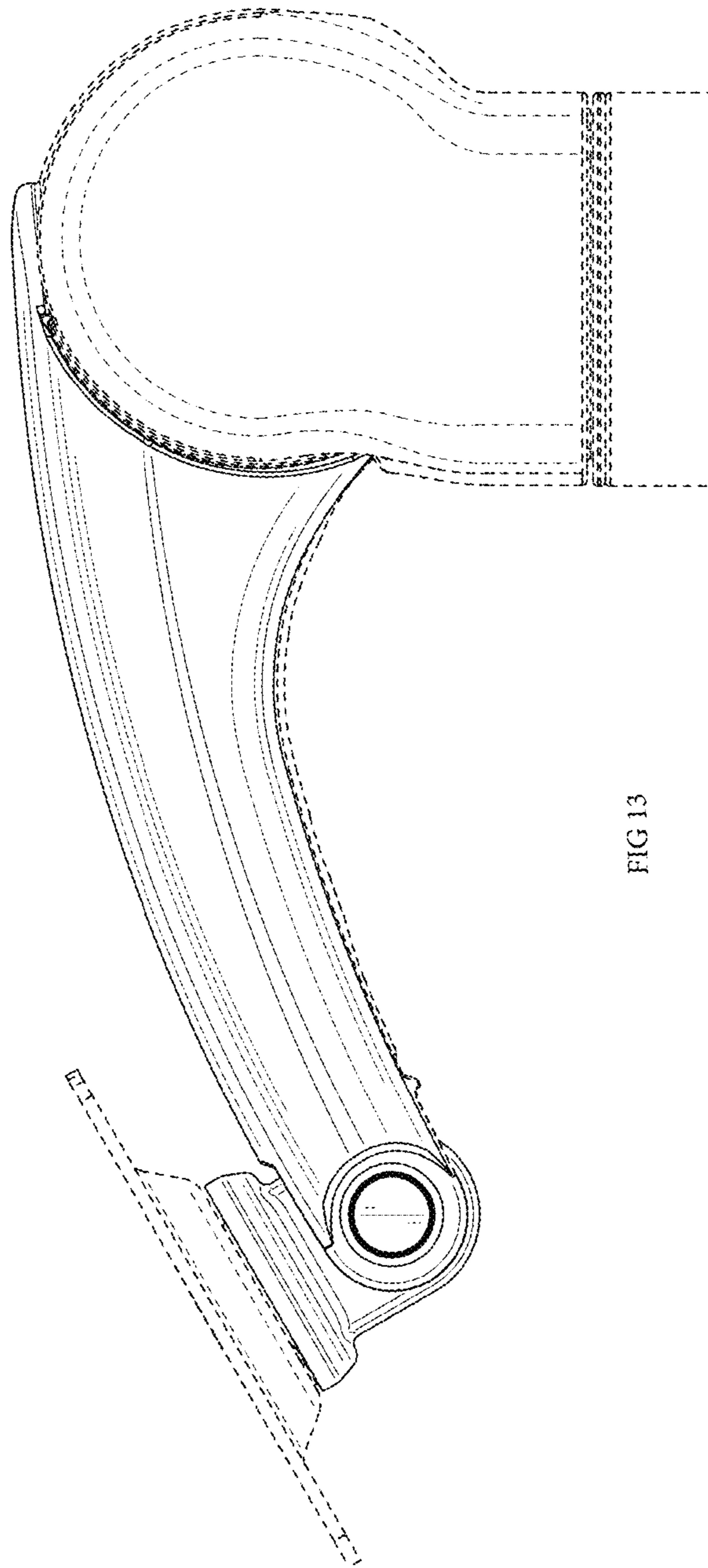


FIG 13

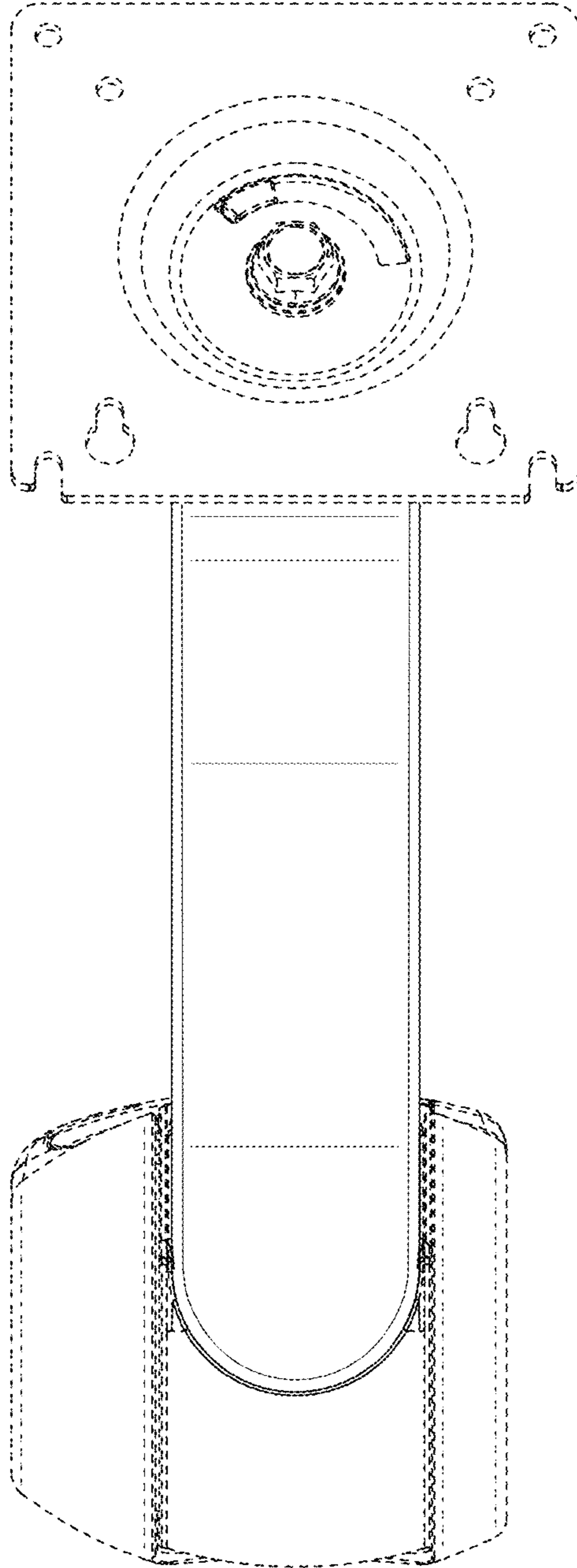


FIG 14

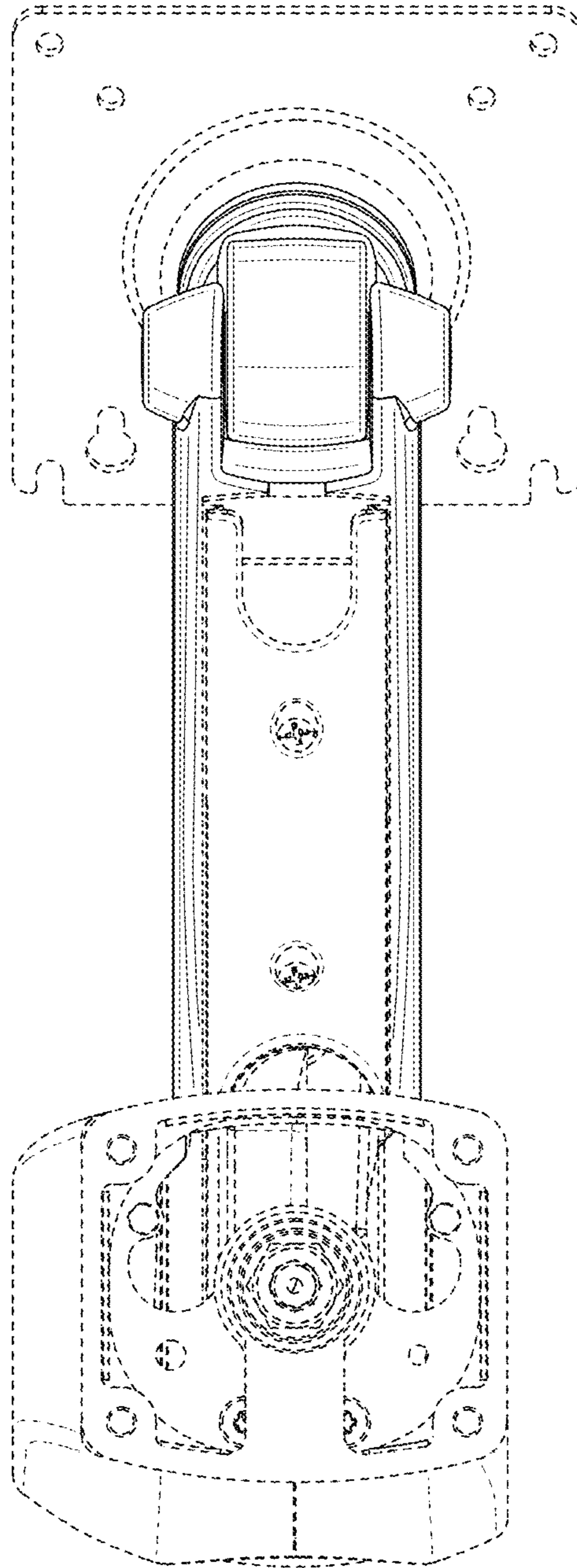


FIG 15