



US00D845285S

(12) **United States Design Patent**  
**Neal et al.**

(10) **Patent No.:** **US D845,285 S**

(45) **Date of Patent:** **\*\* Apr. 9, 2019**

(54) **ANTENNA MOUNT**

(71) Applicant: **Neal Technologies Inc.**, Mesa, AZ (US)

(72) Inventors: **Kennieth Neal**, Mesa, AZ (US); **James Cunningham**, Mesa, AZ (US); **Brian Kelley Cowen**, Mesa, AZ (US)

(73) Assignee: **Neal Technologies, Inc.**, Mesa, AZ (US)

(\*\*) Term: **15 Years**

(21) Appl. No.: **29/637,634**

(22) Filed: **Feb. 20, 2018**

(51) **LOC (11) Cl.** ..... **14-03**

(52) **U.S. Cl.**  
USPC ..... **D14/238**

(58) **Field of Classification Search**  
USPC ..... D14/238, 230, 237; D8/356, 373, 354  
CPC ..... H01Q 1/50; H01Q 1/3275  
See application file for complete search history.

(56) **References Cited**

U.S. PATENT DOCUMENTS

3,906,507 A \* 9/1975 Allen, Jr. .... H01Q 1/28  
333/238  
D425,516 S \* 5/2000 Heiligenstein ..... D14/238  
D473,219 S \* 4/2003 Raymond ..... D14/230  
D678,794 S \* 3/2013 Eckert ..... D10/106.9

10,090,583 B1 \* 10/2018 Neal ..... H01Q 1/1214  
2003/0001739 A1 \* 1/2003 Clucas ..... G01V 3/105  
340/572.1  
2010/0277322 A1 \* 11/2010 Eckert ..... G08B 13/2434  
340/572.3

\* cited by examiner

*Primary Examiner* — Janice Hallmark

*Assistant Examiner* — Harold E Blackwell, II

(74) *Attorney, Agent, or Firm* — Hartman Titus PLC;  
John D. Titus

(57) **CLAIM**

The ornamental design for an antenna mount, as shown.

**DESCRIPTION**

FIG. 1 is a front perspective view of an antenna mount, showing our new design;

FIG. 2 is a top perspective view of the antenna mount shown in FIG. 1;

FIG. 3 is a bottom perspective view of the antenna mount shown in FIG. 1;

FIG. 4 is a front view of the antenna mount shown in FIG. 1;

FIG. 5 is a rear view of the antenna mount shown in FIG. 1;

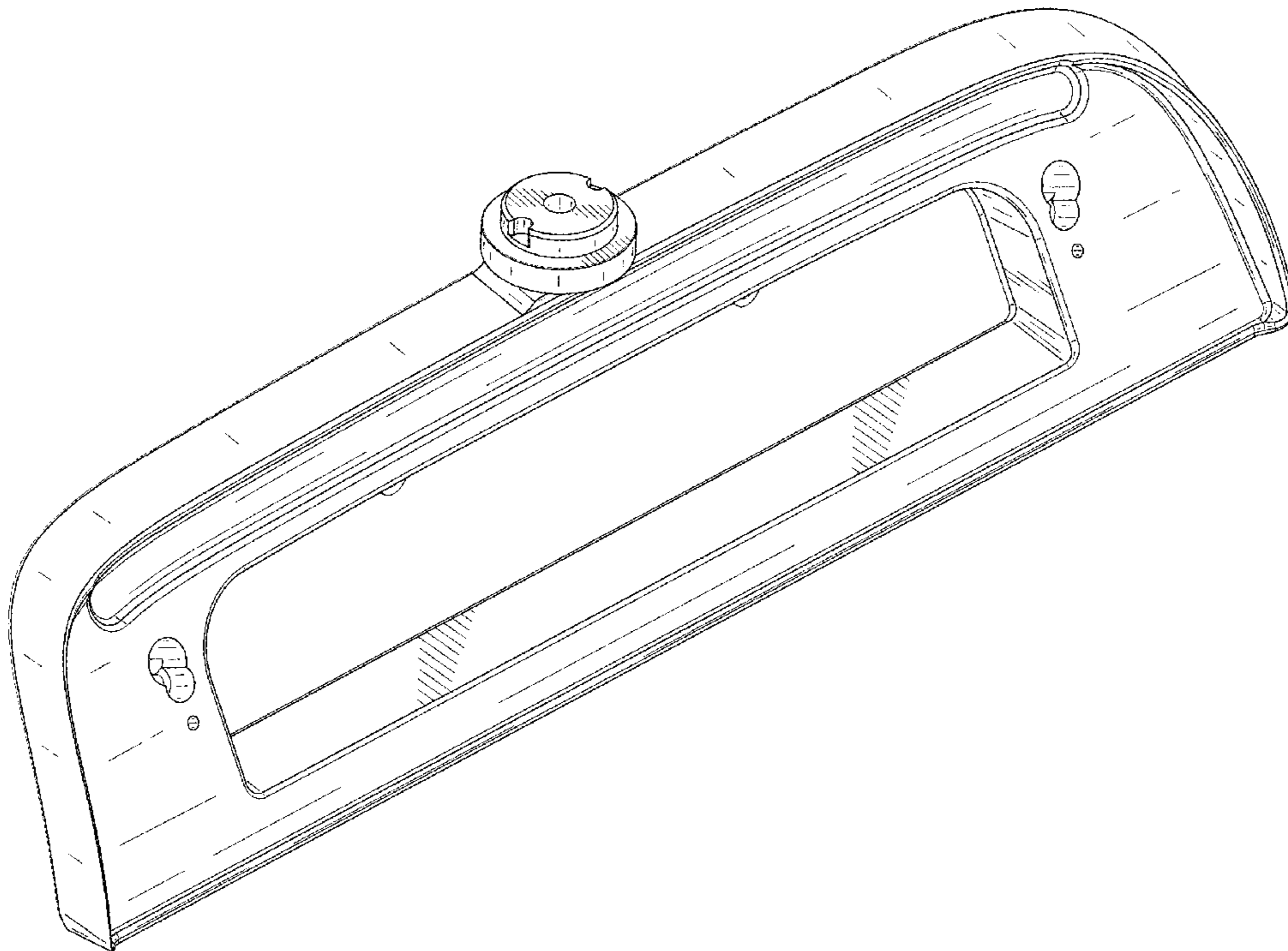
FIG. 6 is a right-side view of the antenna mount shown in FIG. 1;

FIG. 7 is a left-side view of the antenna mount shown in FIG. 1;

FIG. 8 is a top view of the antenna mount shown in FIG. 1; and,

FIG. 9 is a bottom view of the antenna mount shown in FIG. 1.

**1 Claim, 6 Drawing Sheets**



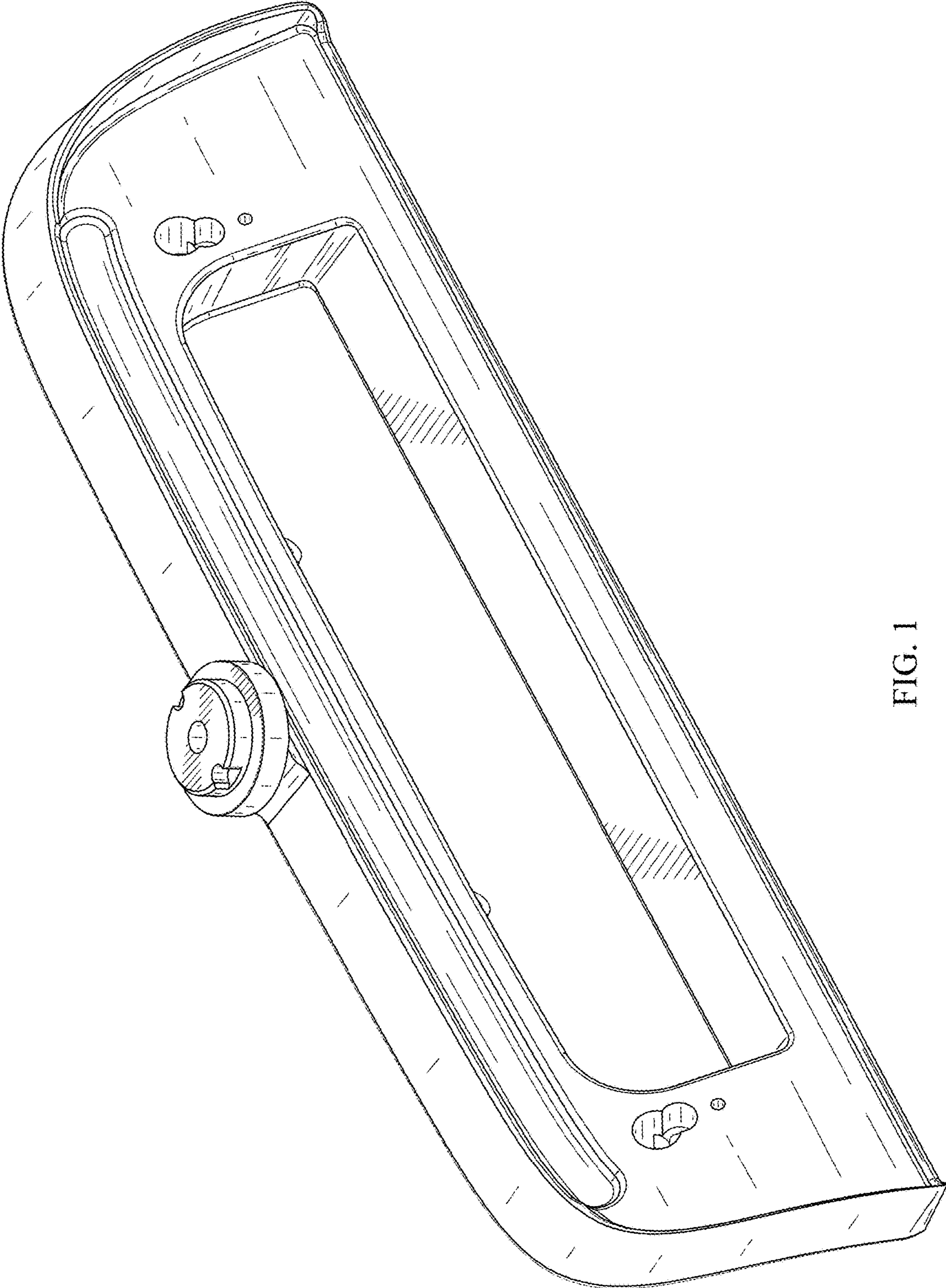


FIG. 1

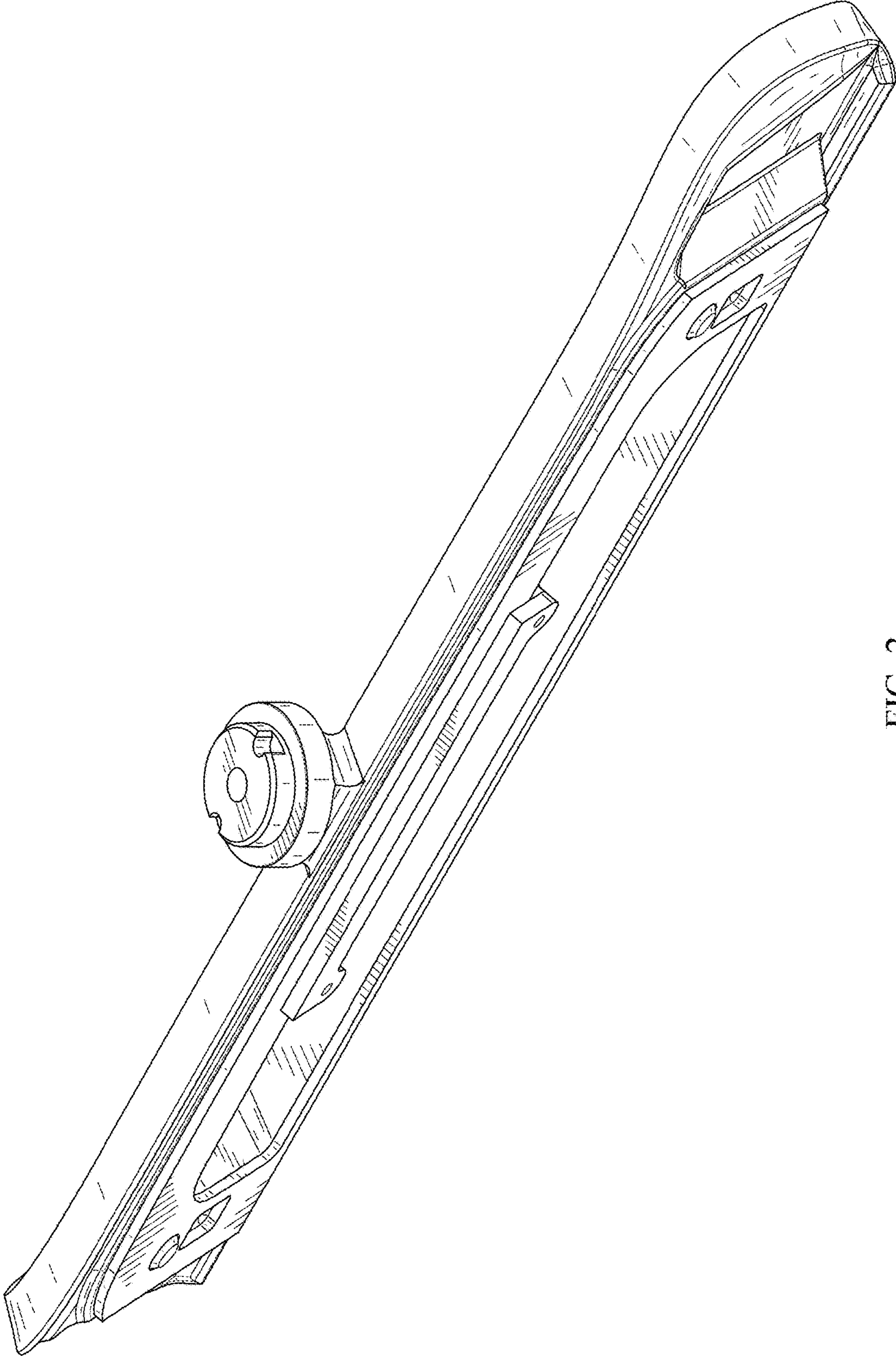


FIG. 2

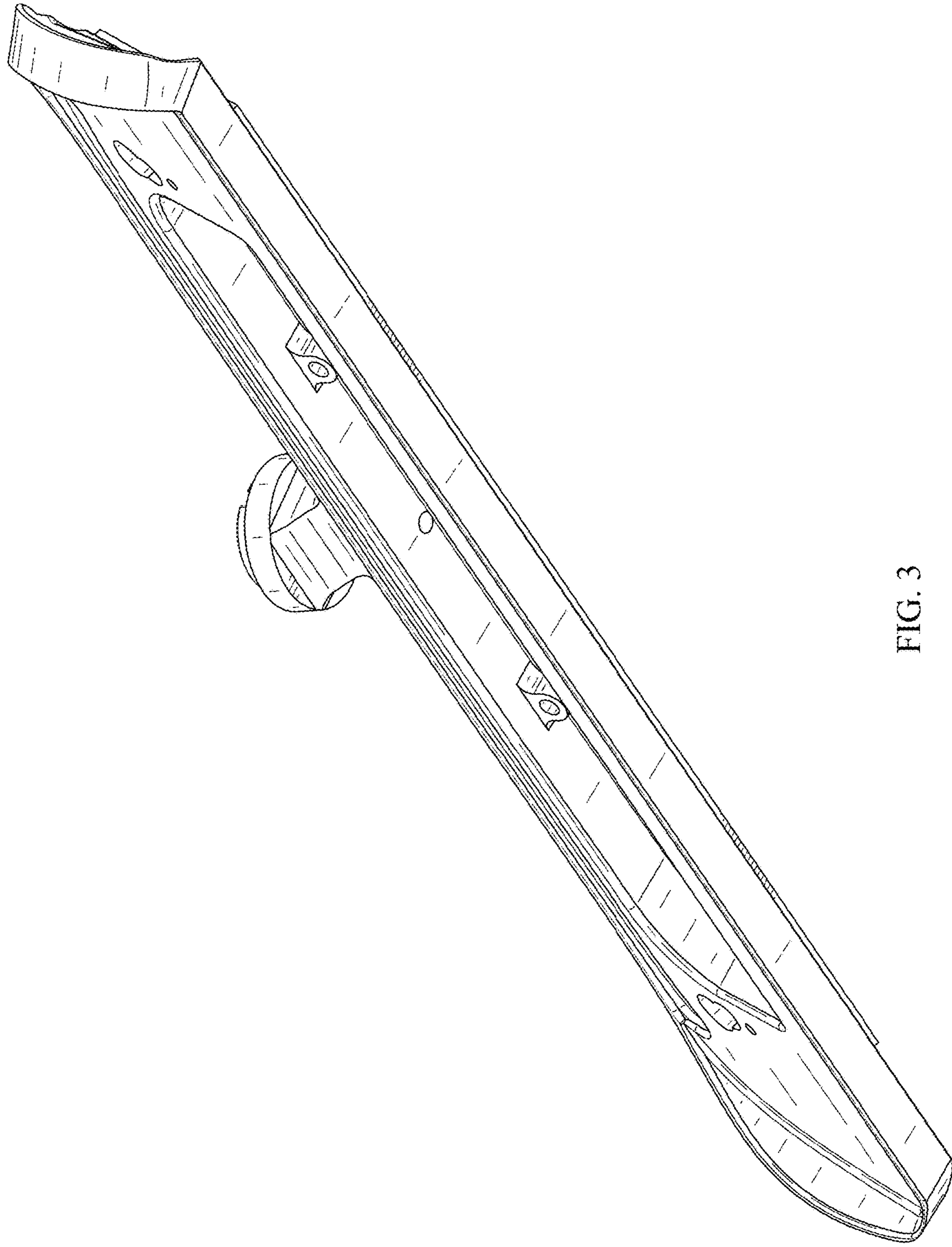


FIG. 3

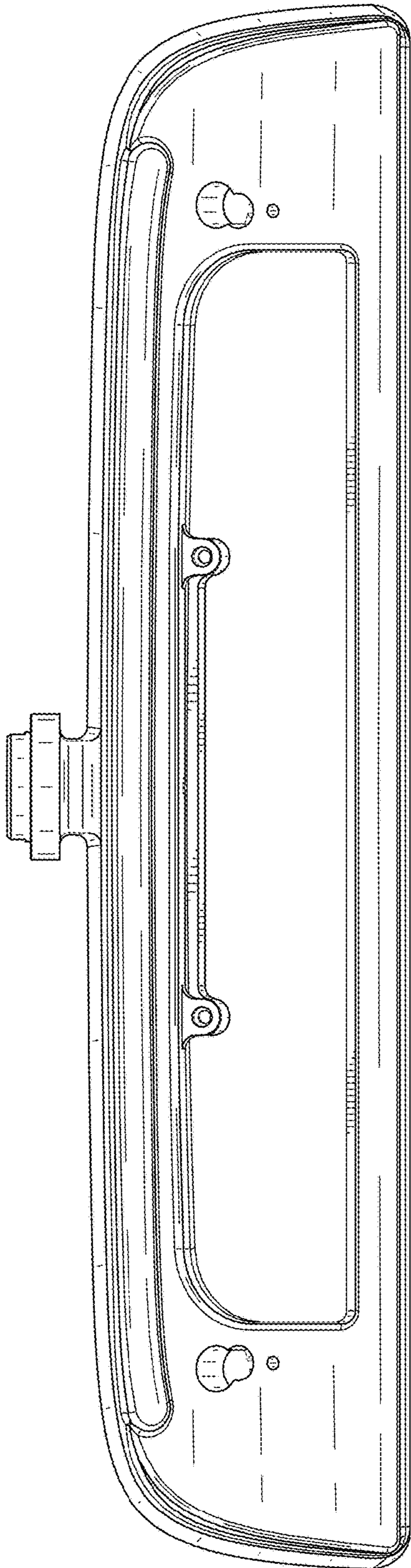


FIG. 4

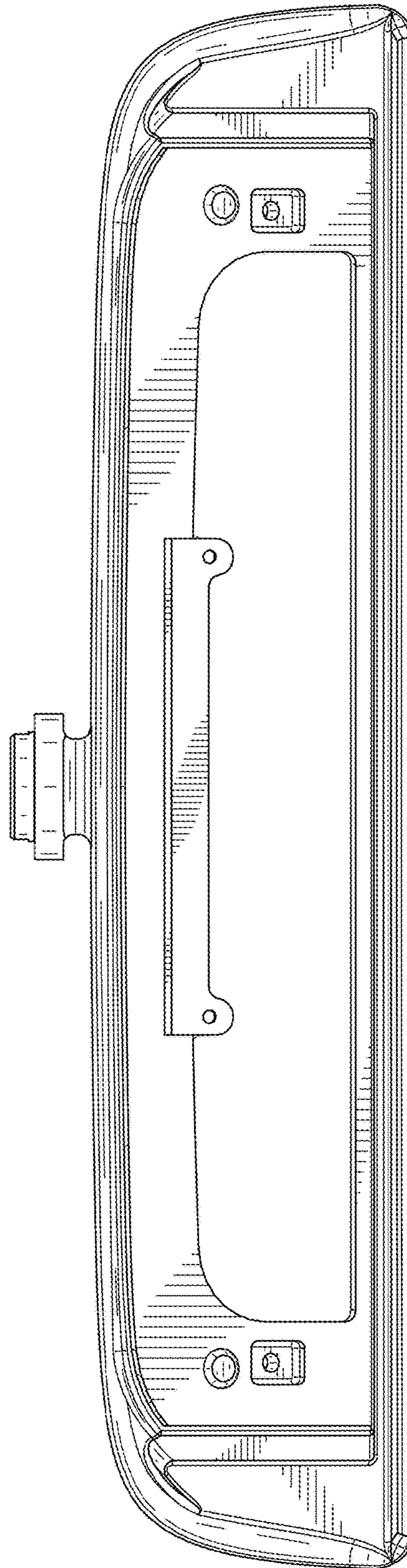


FIG. 5

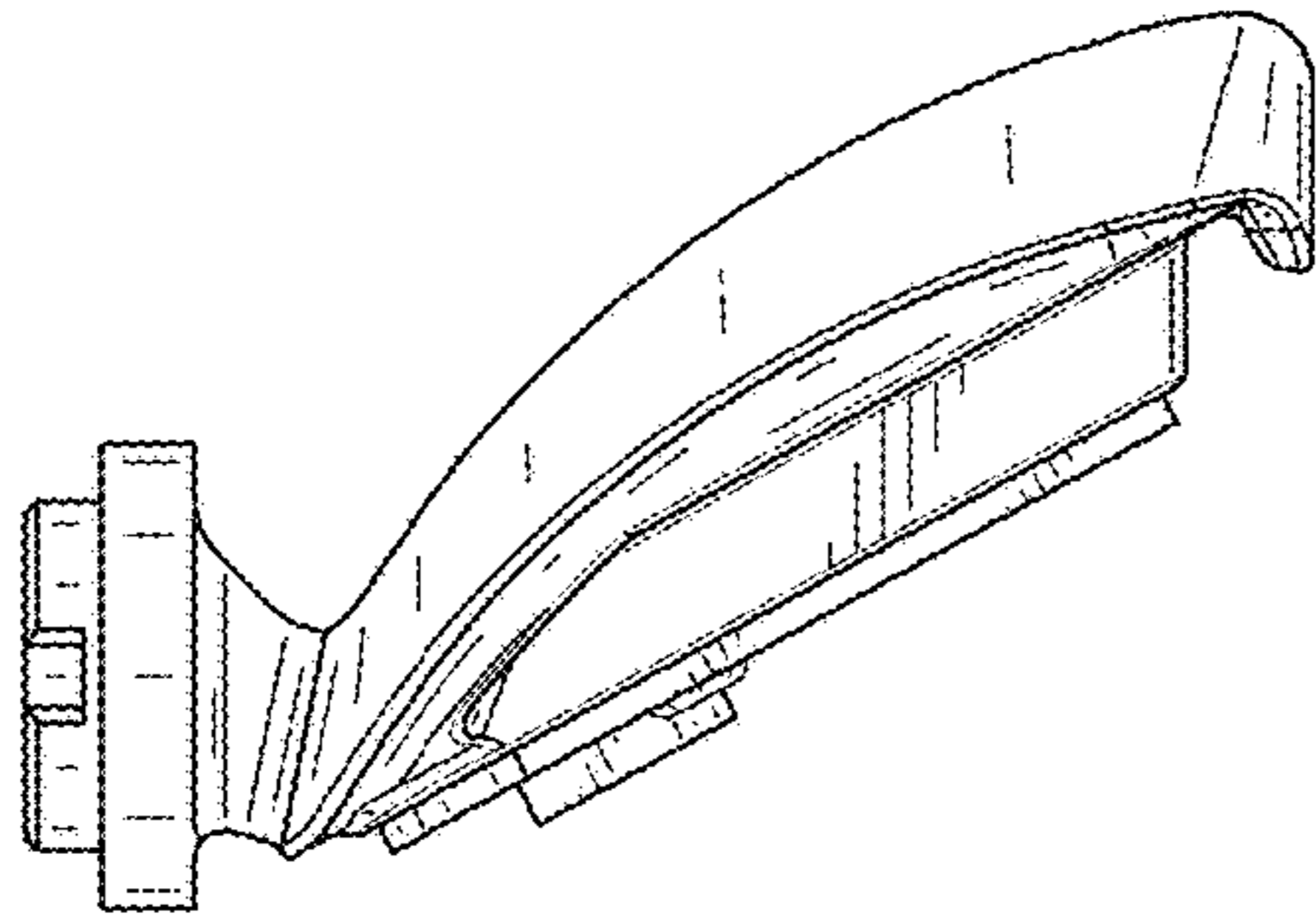


FIG. 6

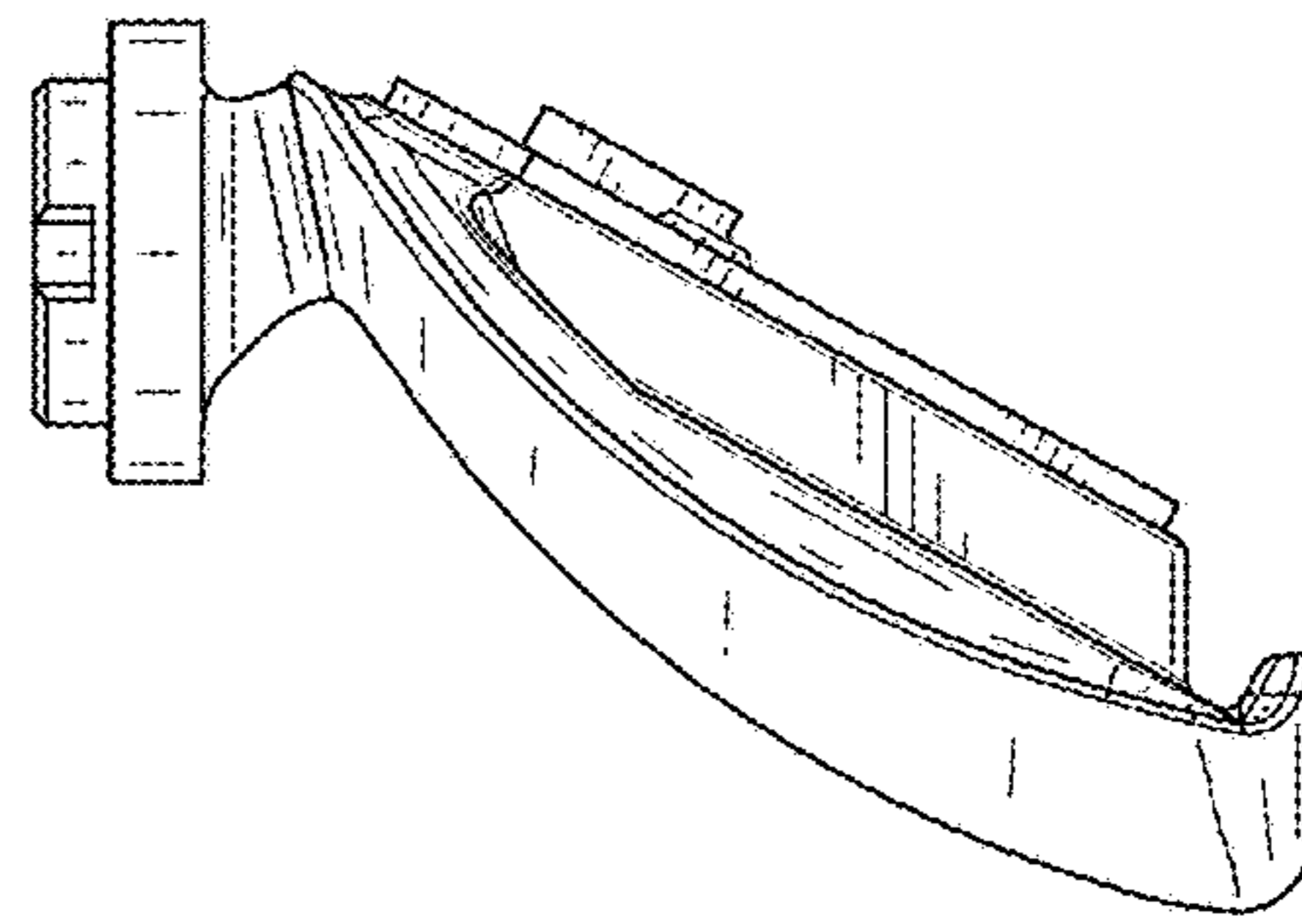


FIG. 7

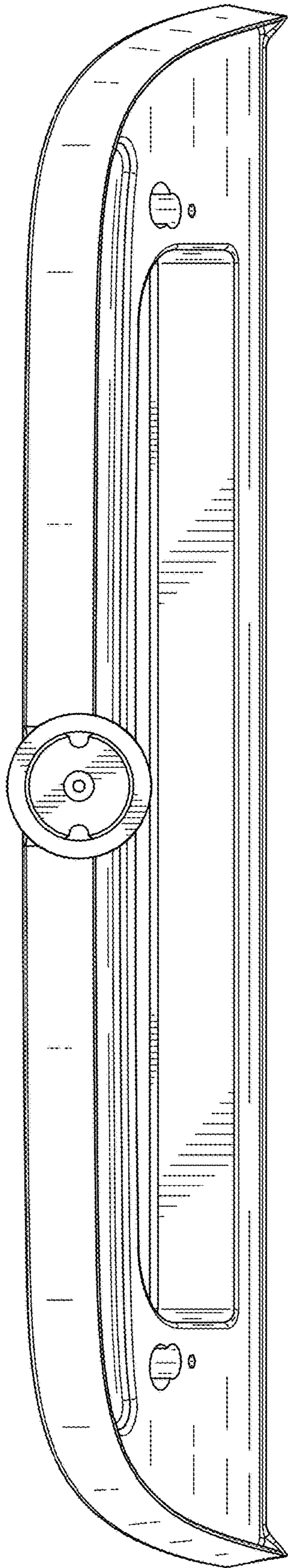


FIG. 8

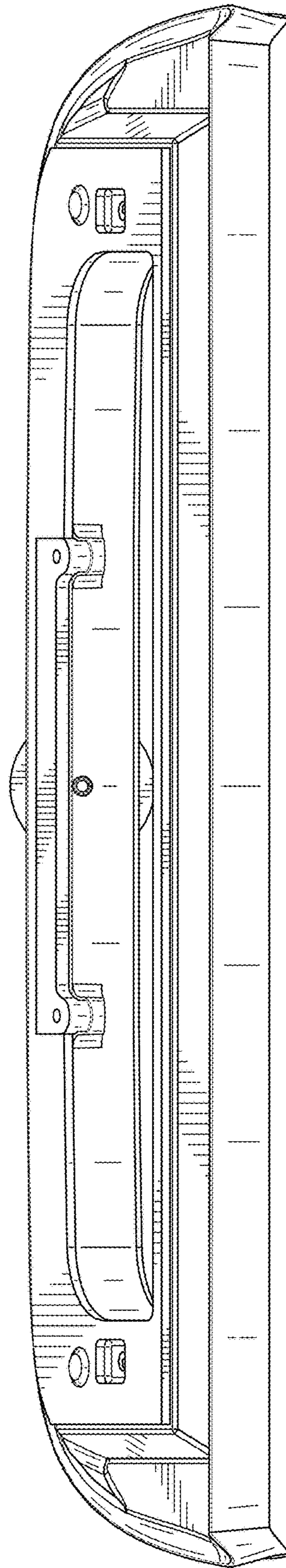


FIG. 9