



US00D845283S

(12) **United States Design Patent** (10) **Patent No.:** **US D845,283 S**  
**Bryson et al.** (45) **Date of Patent:** **\*\* Apr. 9, 2019**

(54) **MICROPHONE**

(56) **References Cited**

(71) Applicant: **AUDIO-TECHNICA CORPORATION**, Tokyo (JP)

U.S. PATENT DOCUMENTS

(72) Inventors: **Sean Bryson**, Tokyo (JP); **Satoshi Yoshino**, Tokyo (JP)

1,307,195	A *	6/1919	Gardner .....	B43K 5/04 401/151
1,794,238	A *	2/1931	McKibben .....	A23G 9/506 229/932
D247,706	S *	4/1978	Armstrong .....	D14/228
D247,707	S *	4/1978	Armstrong .....	D14/228
D290,838	S *	7/1987	Starnes .....	D14/228
D295,224	S *	4/1988	Miyamoto .....	D14/228
D324,049	S *	2/1992	Endo .....	D14/228
D397,119	S *	8/1998	Okon .....	D14/228
D426,939	S *	6/2000	Farbenbloom .....	D2/892
D479,836	S *	9/2003	Thornton .....	D14/228
D507,262	S *	7/2005	Liu .....	D14/228
D717,170	S *	11/2014	Tan .....	D1/116
D820,356	S *	6/2018	Mantis .....	D19/189

(73) Assignee: **AUDIO-TECHNICA CORPORATION**, Tokyo (JP)

(\*\*) Term: **15 Years**

(21) Appl. No.: **29/651,130**

(22) Filed: **Dec. 21, 2017**

(30) **Foreign Application Priority Data**

Jun. 22, 2017 (JP) ..... 2017-013475

(51) **LOC (11) Cl.** ..... **14-01**

(52) **U.S. Cl.**  
USPC ..... **D14/228**

(58) **Field of Classification Search**  
USPC ..... D14/224-229; D16/244; D17/99;  
D6/681; 248/125.1, 166, 185.1;  
381/355, 359, 361-363, 365, 366, 369,  
381/375; 379/428.01, 428.04, 431,  
379/433.03  
CPC . H04R 25/00; H04R 1/02; H04R 5/02; H04R  
9/08; F16M 11/38; F16M 13/00; F16M  
11/00

See application file for complete search history.

\* cited by examiner

*Primary Examiner* — Katie Jane Stofko  
(74) *Attorney, Agent, or Firm* — W&C IP

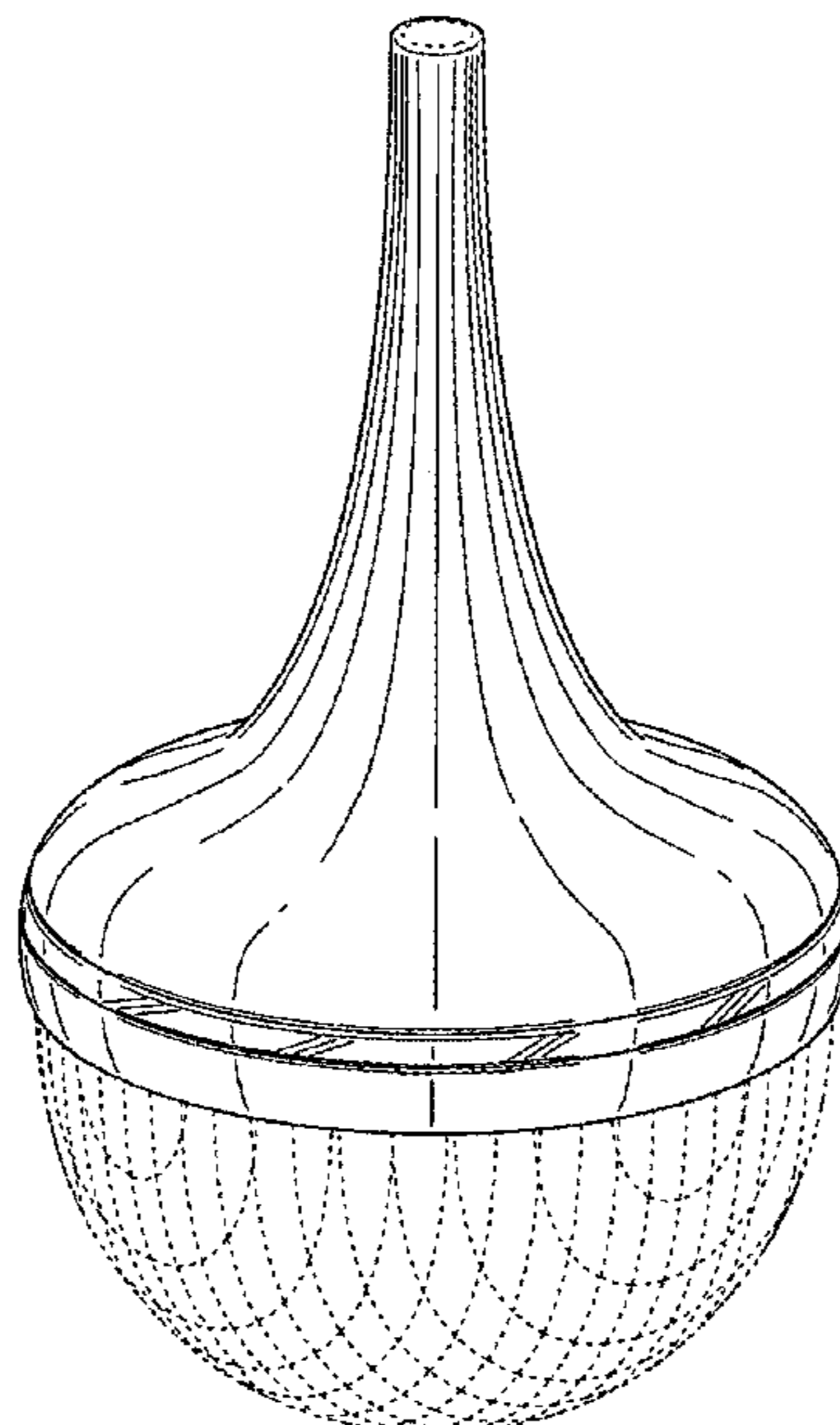
(57) **CLAIM**

We claim the ornamental design for a microphone, as shown and described.

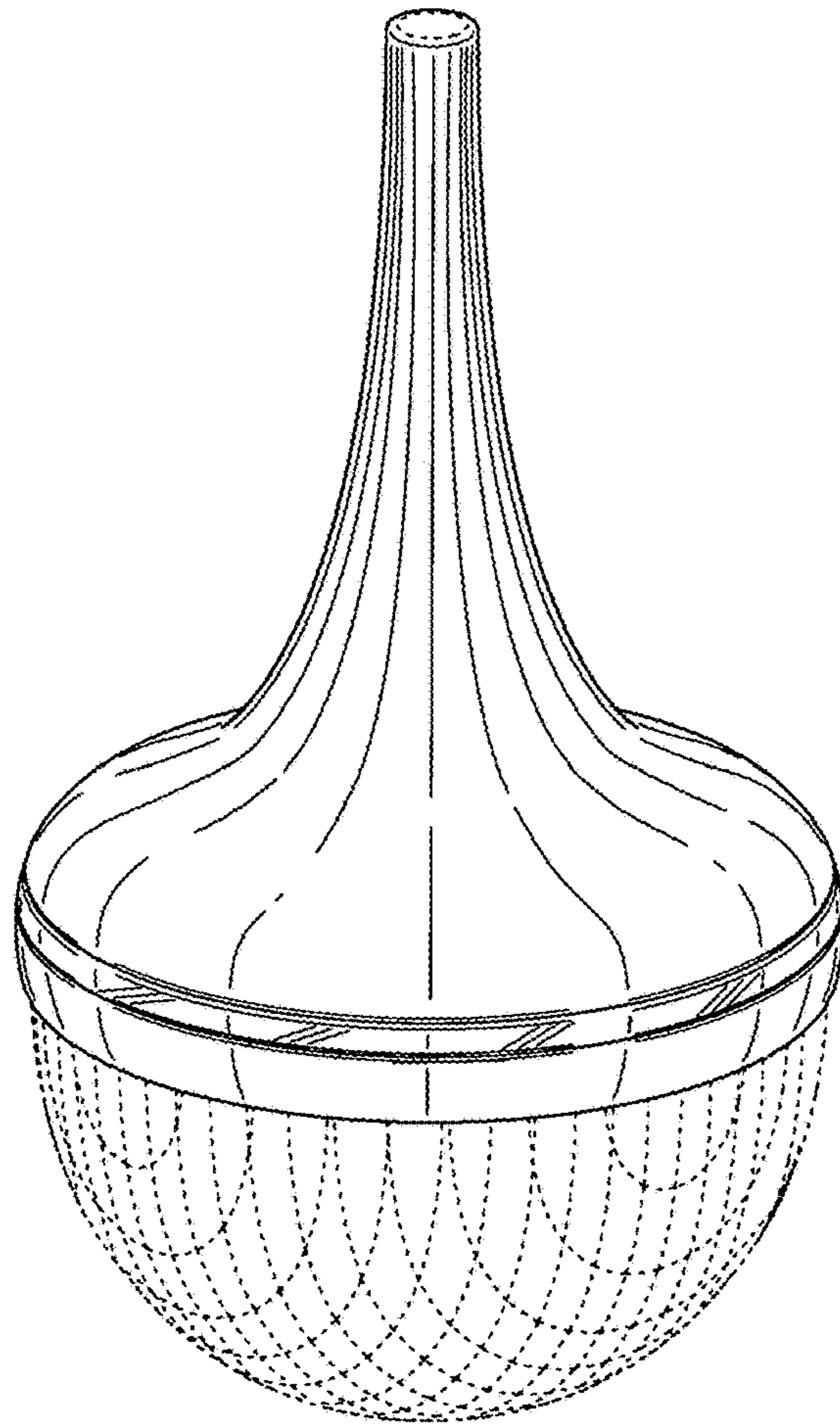
**DESCRIPTION**

FIG. 1 is a perspective view of a microphone;  
FIG. 2 is a front elevational view of the microphone;  
FIG. 3 is a top plan view of the microphone; and,  
FIG. 4 is a bottom plan view of the microphone.  
The broken lines shown in FIGS. 1-4 illustrate portions of the microphone that form no part of the claimed design.

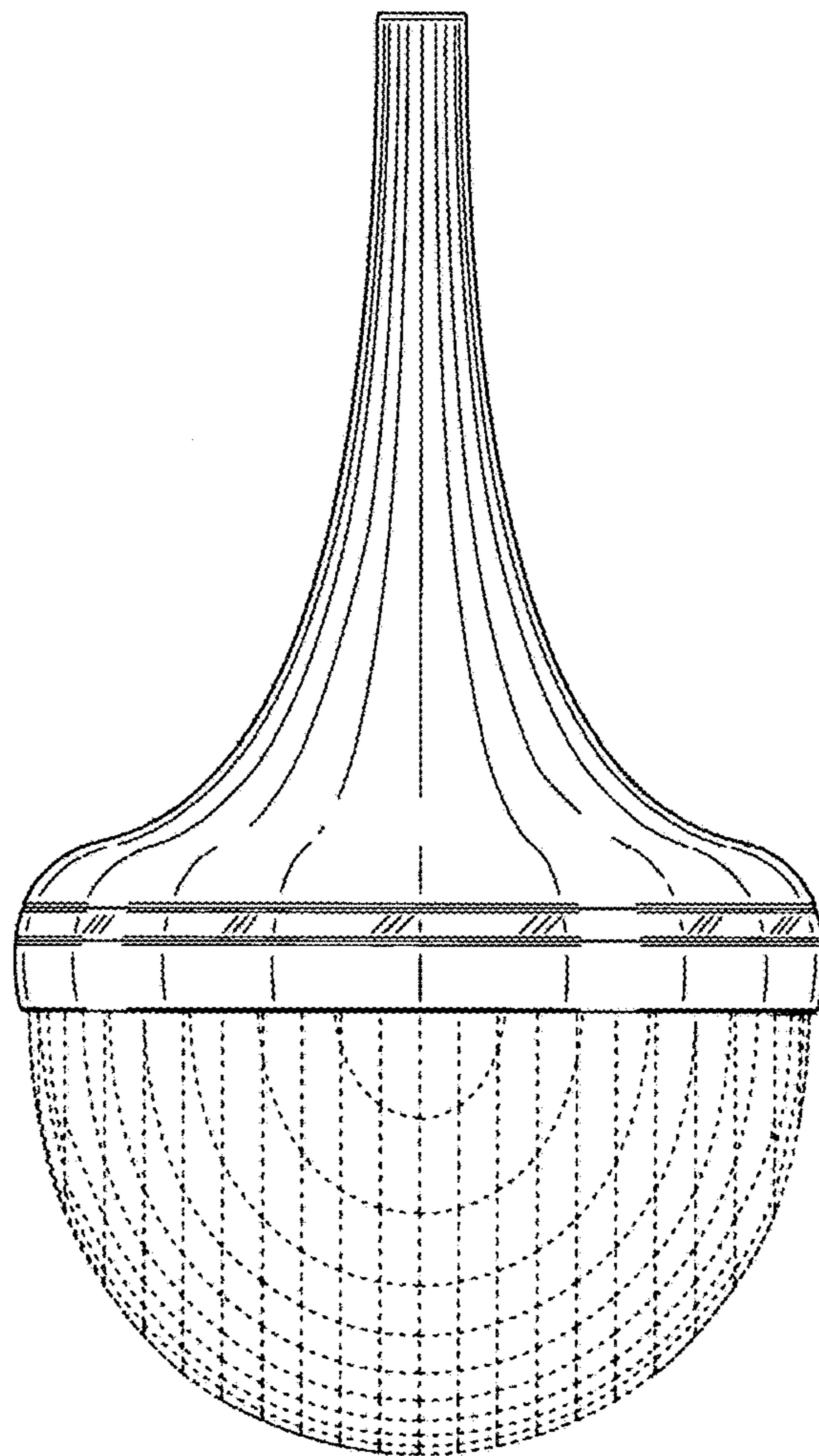
**1 Claim, 4 Drawing Sheets**



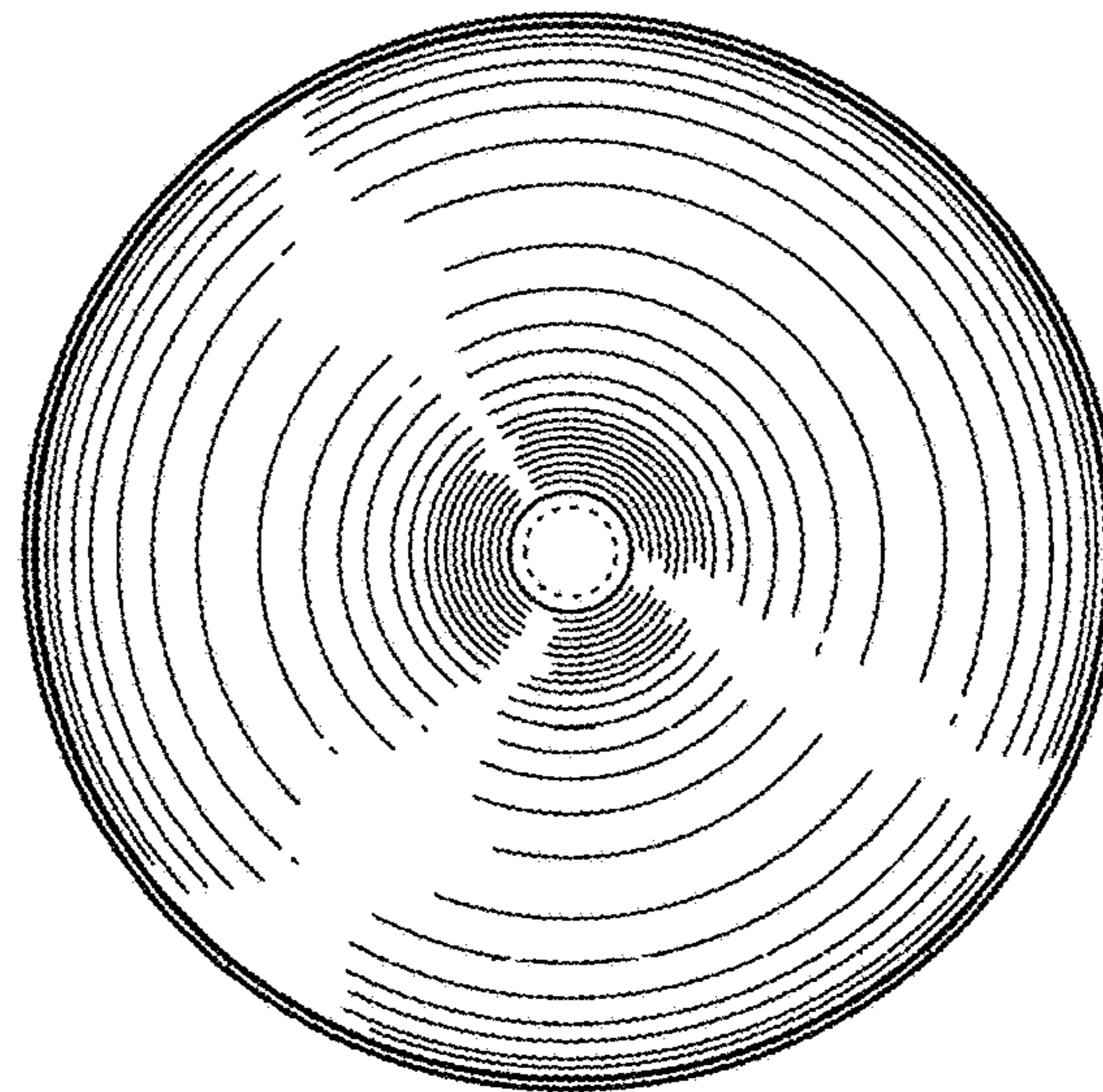
**FIG. 1**



**FIG. 2**



**FIG. 3**



**FIG. 4**

