



US00D845282S

(12) **United States Design Patent** (10) **Patent No.:** **US D845,282 S**
Chen et al. (45) **Date of Patent:** **** Apr. 9, 2019**

(54) **IN-EAR SPORT HEADPHONE**
(71) Applicant: **SHENZHEN TOMTOP TECHNOLOGY CO., LTD.**, Shenzhen, Guangdong (CN)
(72) Inventors: **Liugui Chen**, Gaungdong (CN); **Yuxiang Liu**, Guangdong (CN)
(73) Assignee: **SHENZHEN TOMTOP TECHNOLOGY CO., LTD.**, Shenzhen (CN)
(**) Term: **15 Years**
(21) Appl. No.: **29/588,424**
(22) Filed: **Dec. 20, 2016**
(51) **LOC (11) Cl.** **14-01**
(52) **U.S. Cl.**
USPC **D14/223**
(58) **Field of Classification Search**
USPC ... D14/205, 217, 221, 223, 224, 224.1, 225; D24/173, 174
CPC H04R 1/10; H04R 1/1016; H04R 1/1066; H04R 1/105; H04R 1/1033; H04R 1/08; H04R 5/033; H04R 5/0335; H04R 25/00
See application file for complete search history.

D818,989 S * 5/2018 Silva D14/205
D820,239 S * 6/2018 Yoshimura D14/223
D820,810 S * 6/2018 Levine D14/205
D822,646 S * 7/2018 Dang D14/223
D828,826 S * 9/2018 Schaal D14/223
2014/0211977 A1* 7/2014 Armstrong H04R 1/105
381/380
2016/0261946 A1* 9/2016 Chen H04R 1/1016
2018/0295437 A1* 10/2018 Chen H04R 1/105

OTHER PUBLICATIONS

Dodocool Hi-Res Audio Certified 24-bit High Resolution In-ear Sport Stereo Earphone, posted Jun. 7, 2017 [online], retrieved Oct. 31, 2018, retrieved from internet, <<https://www.tomtop.com/p-da108.html>>.*
Dodocool Hi-Res 24-bit High Resolution In-ear Sport Stereo Earphone, posted Feb. 2, 2017 [online], retrieved Oct. 31, 2018, retrieved from internet, <<https://www.youtube.com/watch?v=6SVsxFNcrME&feature=youtu.be>>.*

(Continued)

Primary Examiner — Barbara Fox
Assistant Examiner — Messina L Smith

(57) **CLAIM**

The ornamental design for an in-ear sport headphone, as shown and described.

(56) **References Cited**

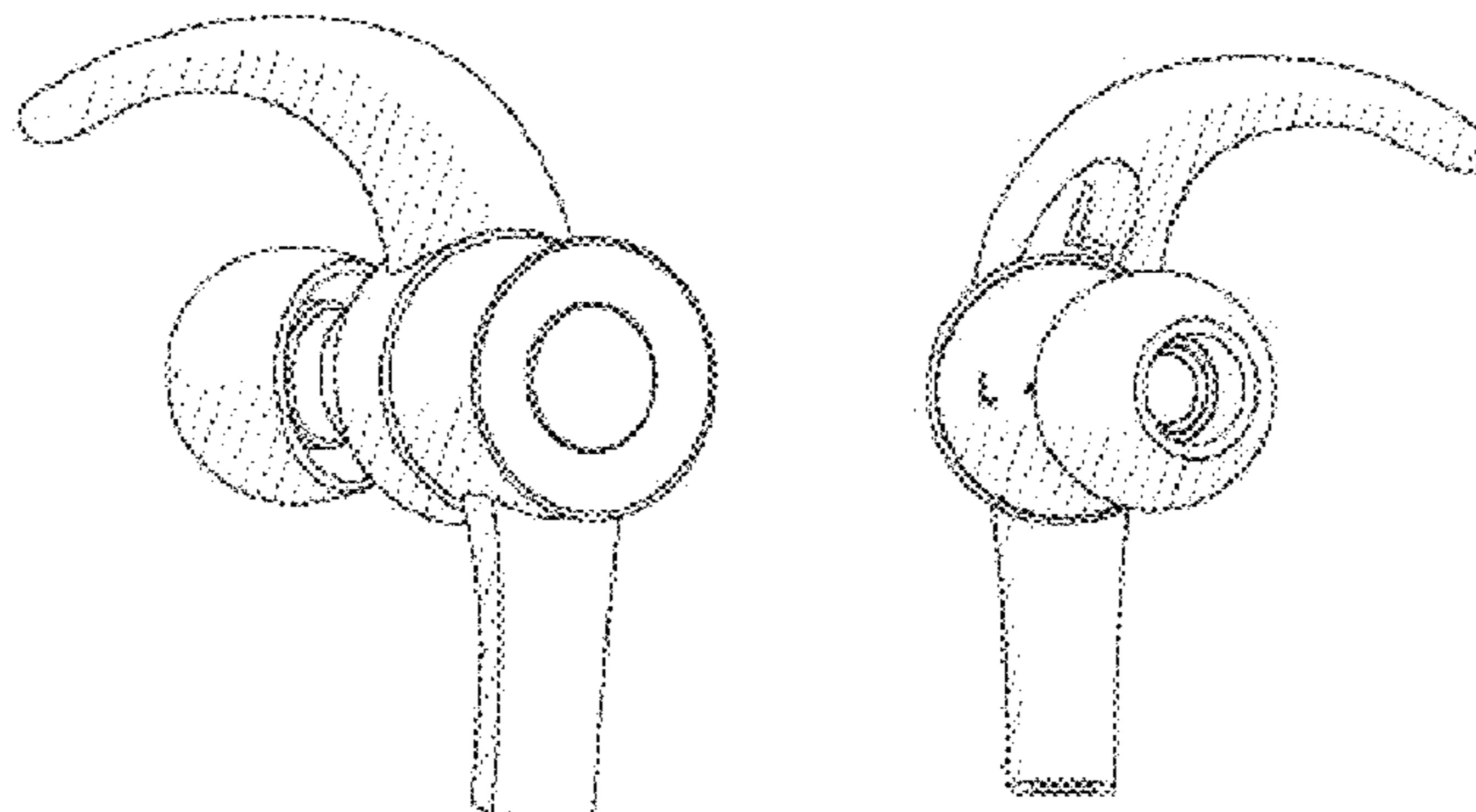
U.S. PATENT DOCUMENTS

D663,291 S * 7/2012 Gondo D14/223
D758,355 S * 6/2016 Lee D14/223
D759,633 S * 6/2016 Gondo D14/223
D763,224 S * 8/2016 Silvestri H04R 1/1016
D14/205
D774,021 S * 12/2016 Pedersen D14/223
D786,216 S * 5/2017 Silva D14/205
D810,720 S * 2/2018 Lee D14/205
D814,443 S * 4/2018 Sandanger A61F 11/08
D14/223
D817,920 S * 5/2018 Paschke D14/205

DESCRIPTION

FIG. 1 is a perspective view of an in-ear sport headphone, showing the new design;
FIG. 2 is a front view thereof;
FIG. 3 is a rear view thereof;
FIG. 4 is a left side view thereof;
FIG. 5 is a right side view thereof;
FIG. 6 is a top plan view thereof; and,
FIG. 7 is a bottom plan view thereof.

1 Claim, 7 Drawing Sheets



(56)

References Cited

OTHER PUBLICATIONS

Dodocool In-ear Headphones, posted Jan. 10, 2017 [online], retrieved Oct. 31, 2018, retrieved from internet, <<https://www.amazon.com/dodocool-Headphones-Microphone-Earphones-Isolating/dp/B01N32HDFU>>.*

Dodocool DA110 Magnetic Wireless Stereo In-Ear Headphone, posted May 24, 2018 [online], retrieved Oct. 31, 2018, retrieved from internet, <<https://www.funkykit.com/reviews/audio-and-visual/dodocool-da110-magnetic-wireless-stereo-in-ear-headphone/>>.*

* cited by examiner

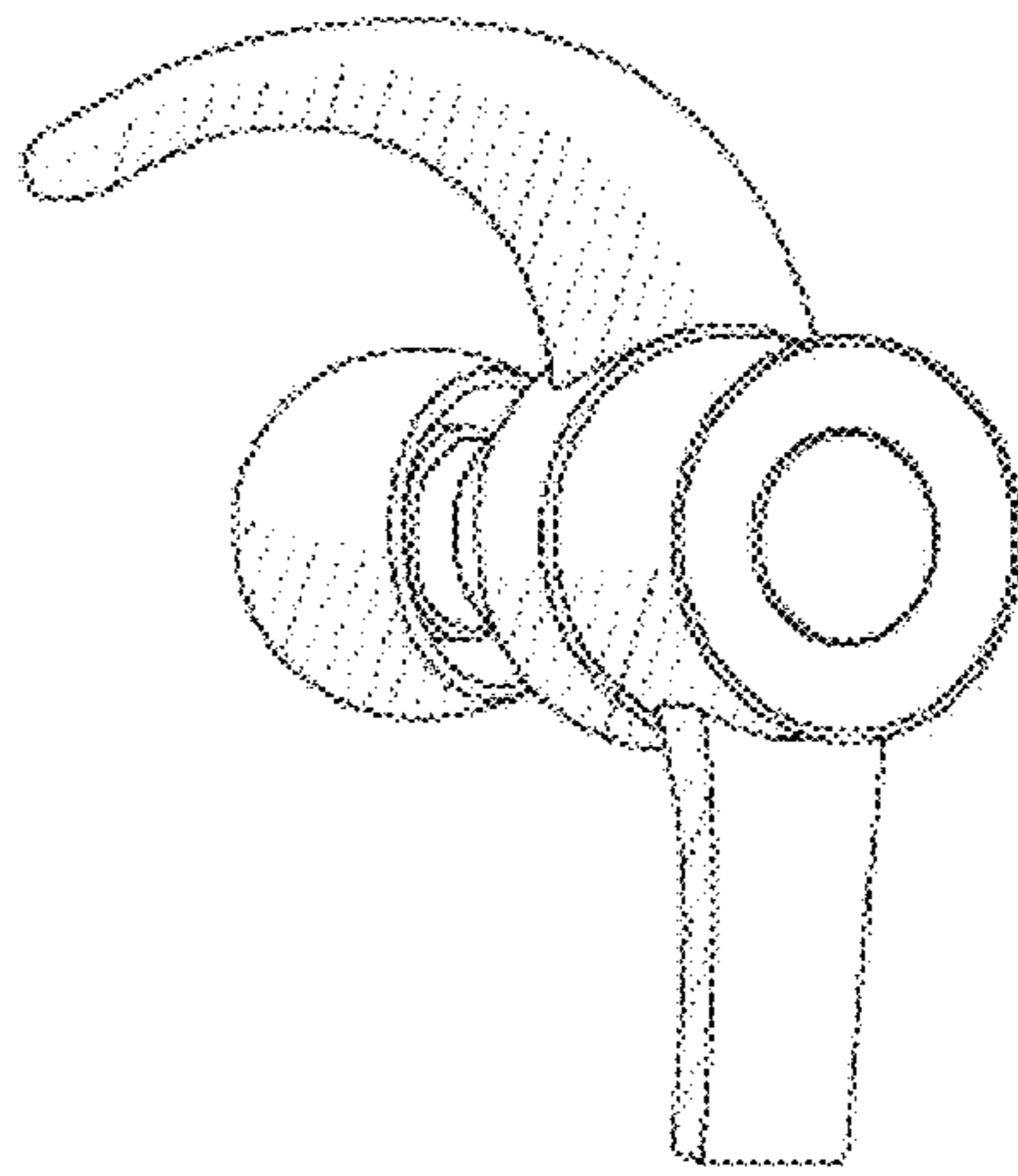


Fig.1

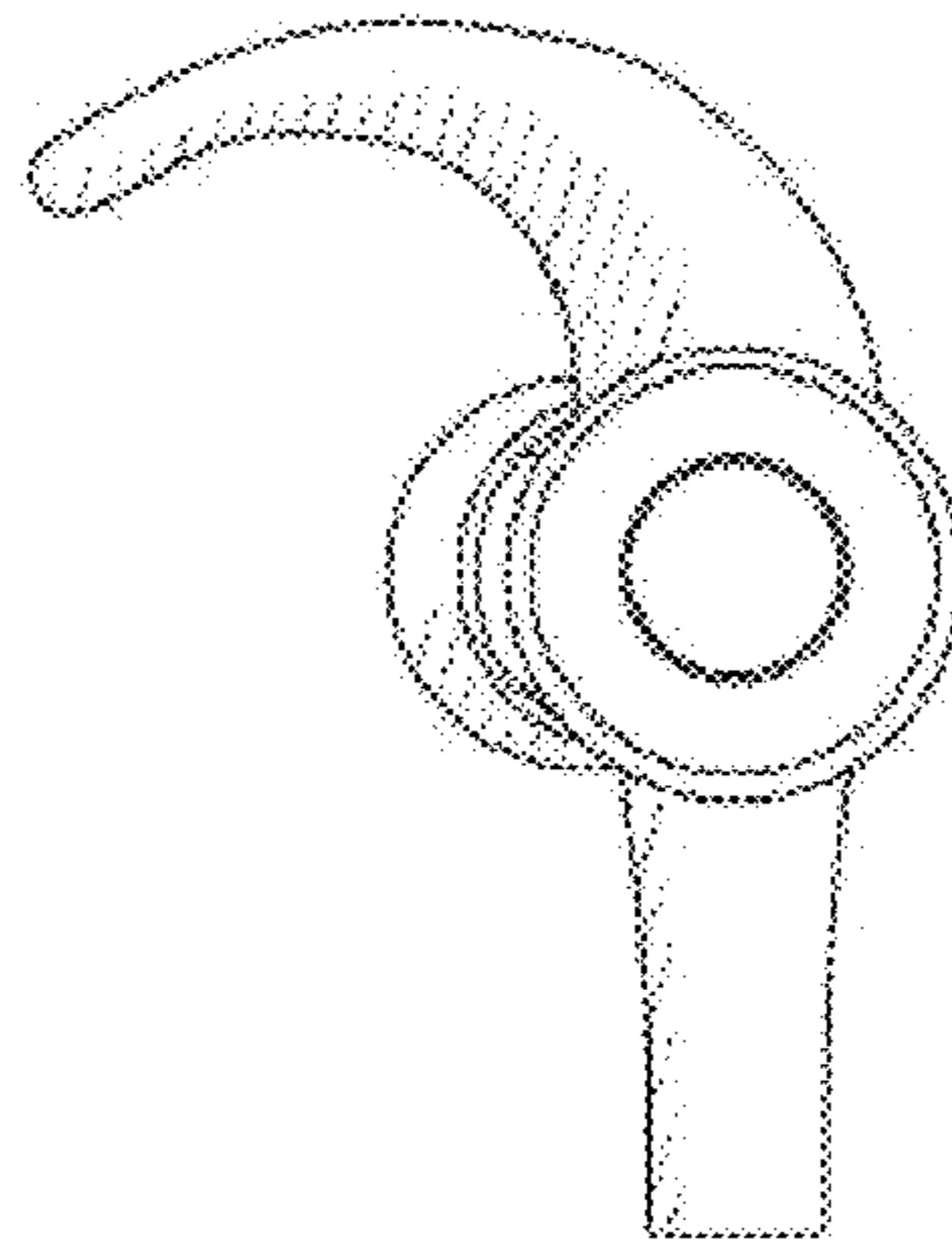


Fig.2

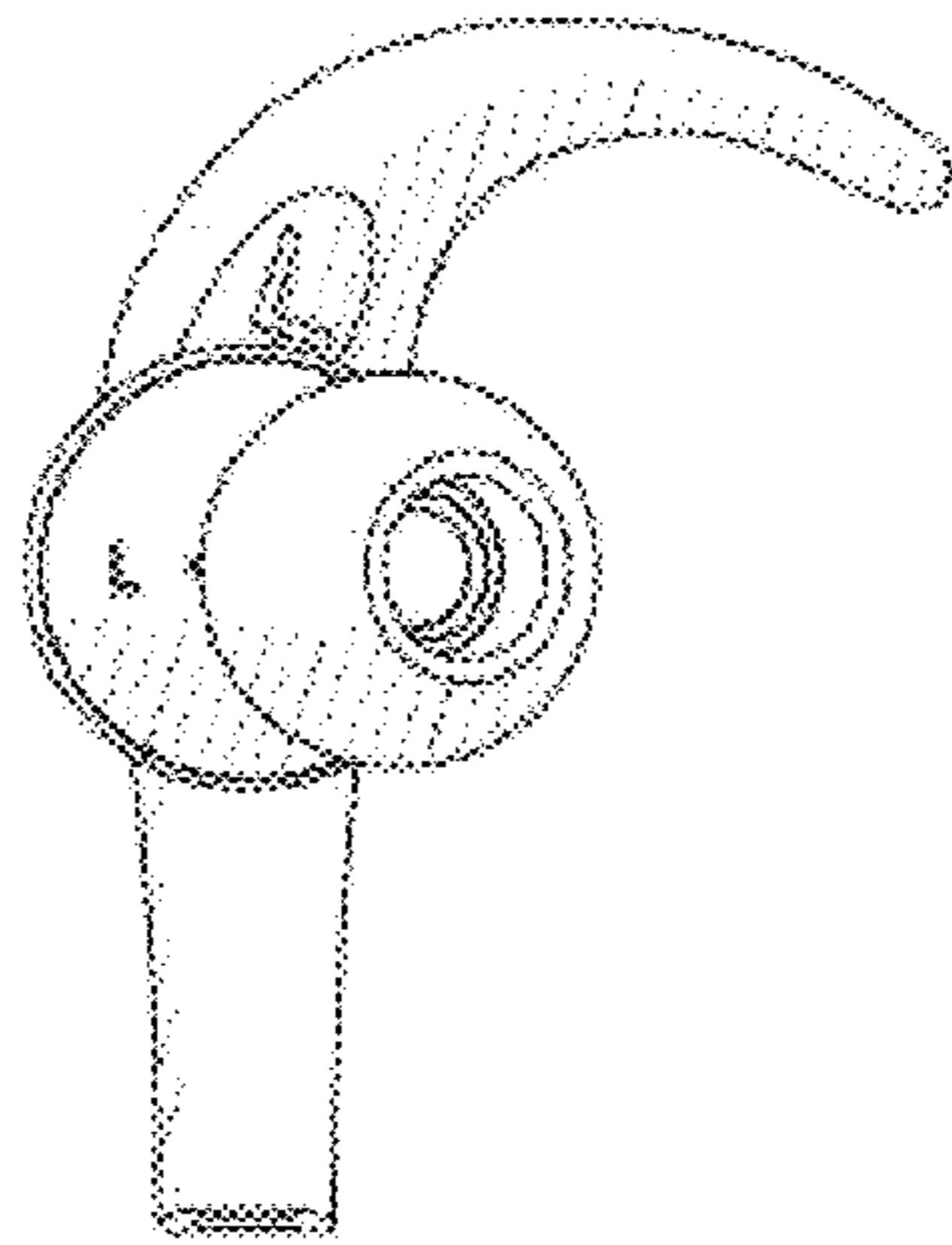


Fig.3

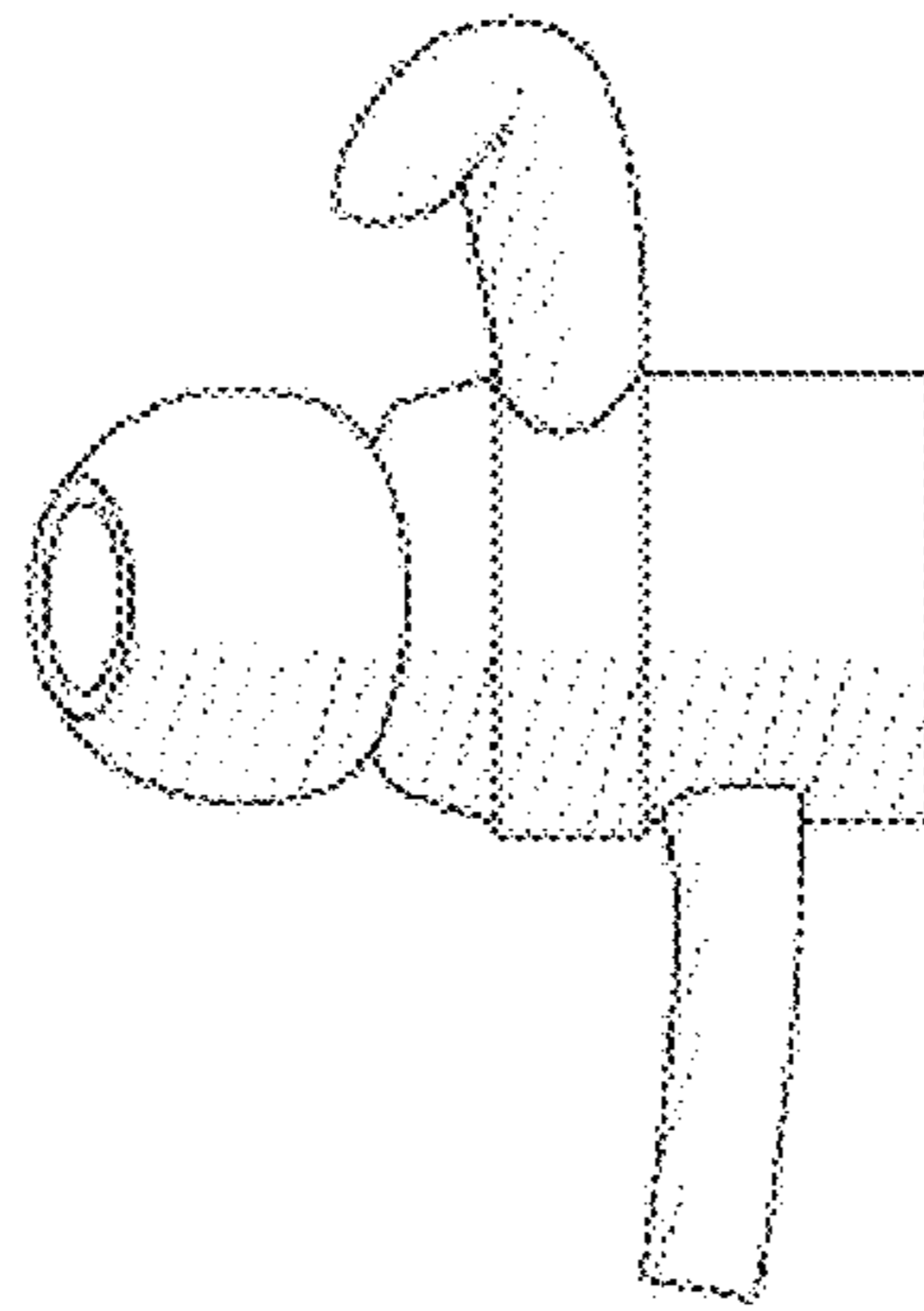


Fig.4

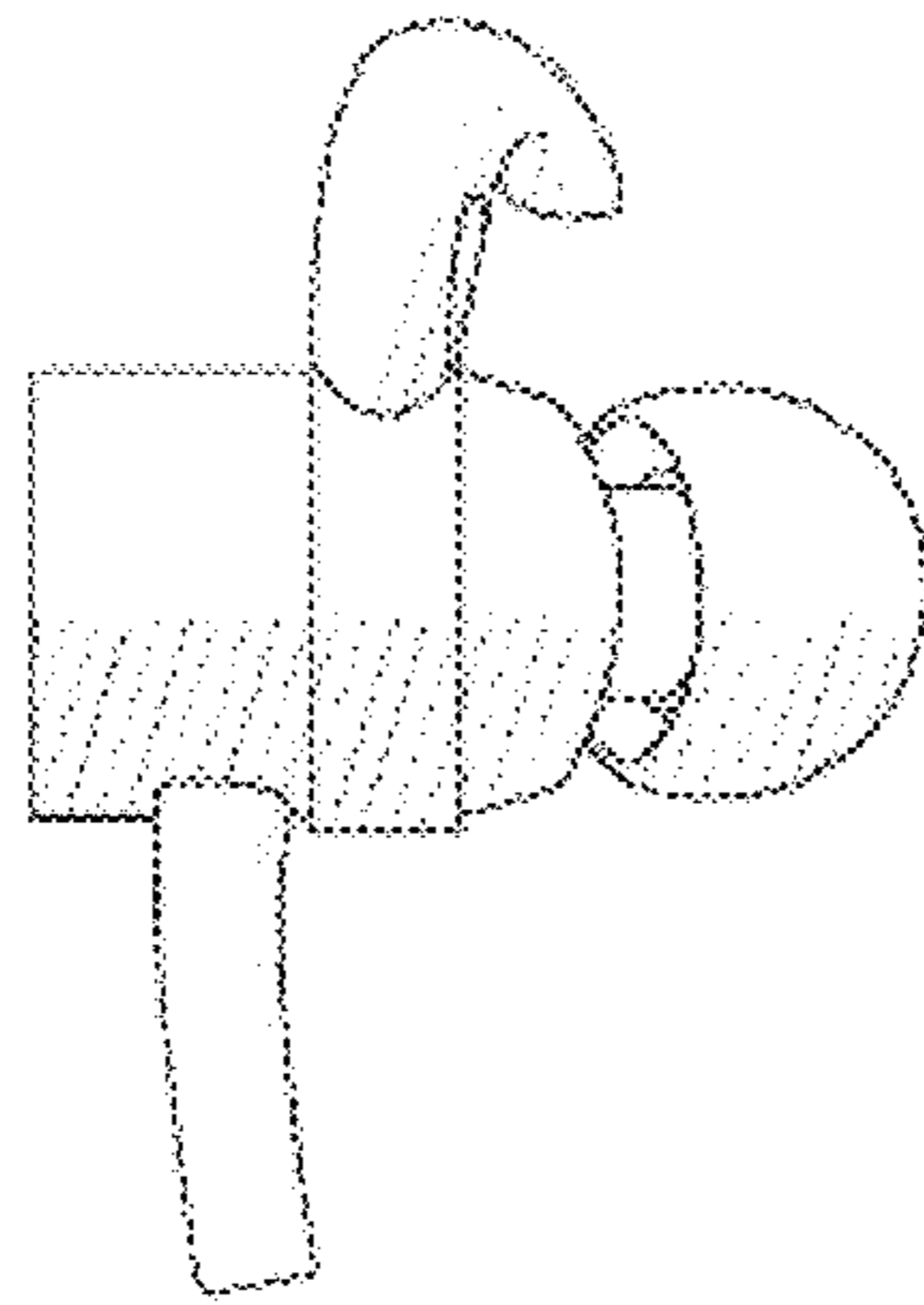


Fig.5

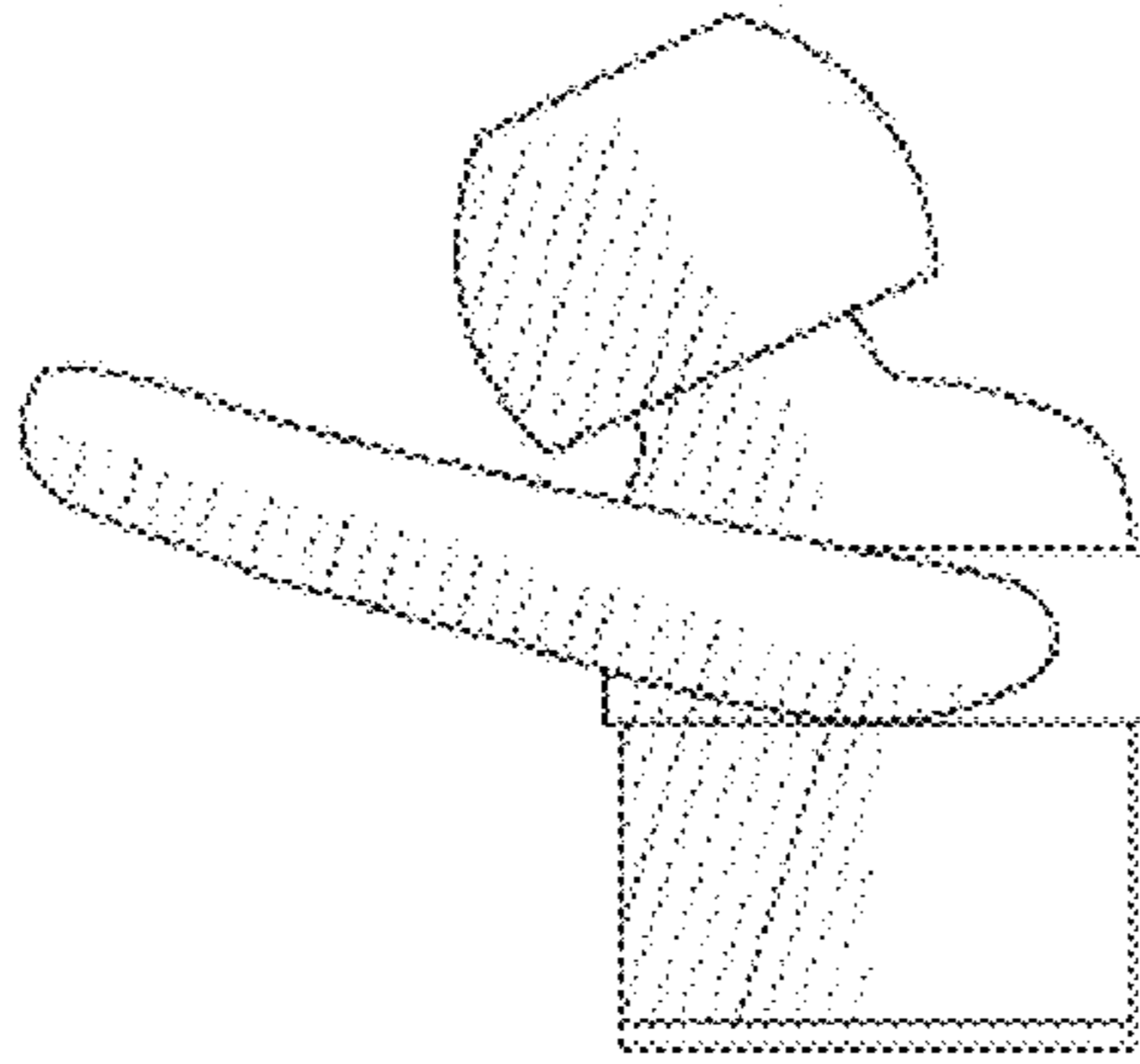


Fig.6

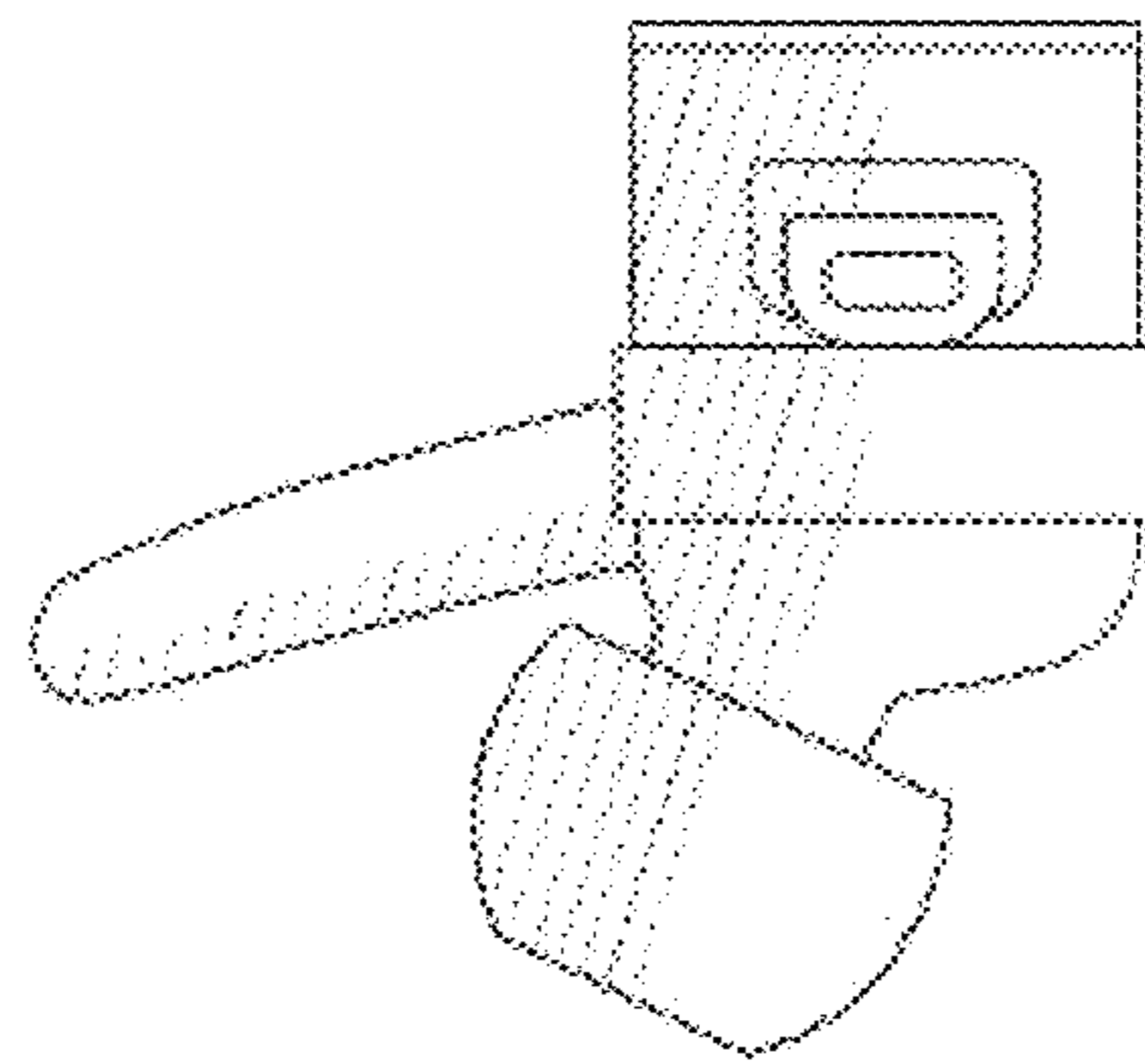


Fig.7